

MODEL : AMS-223C

List No : 1075-03

# PARTS LIST

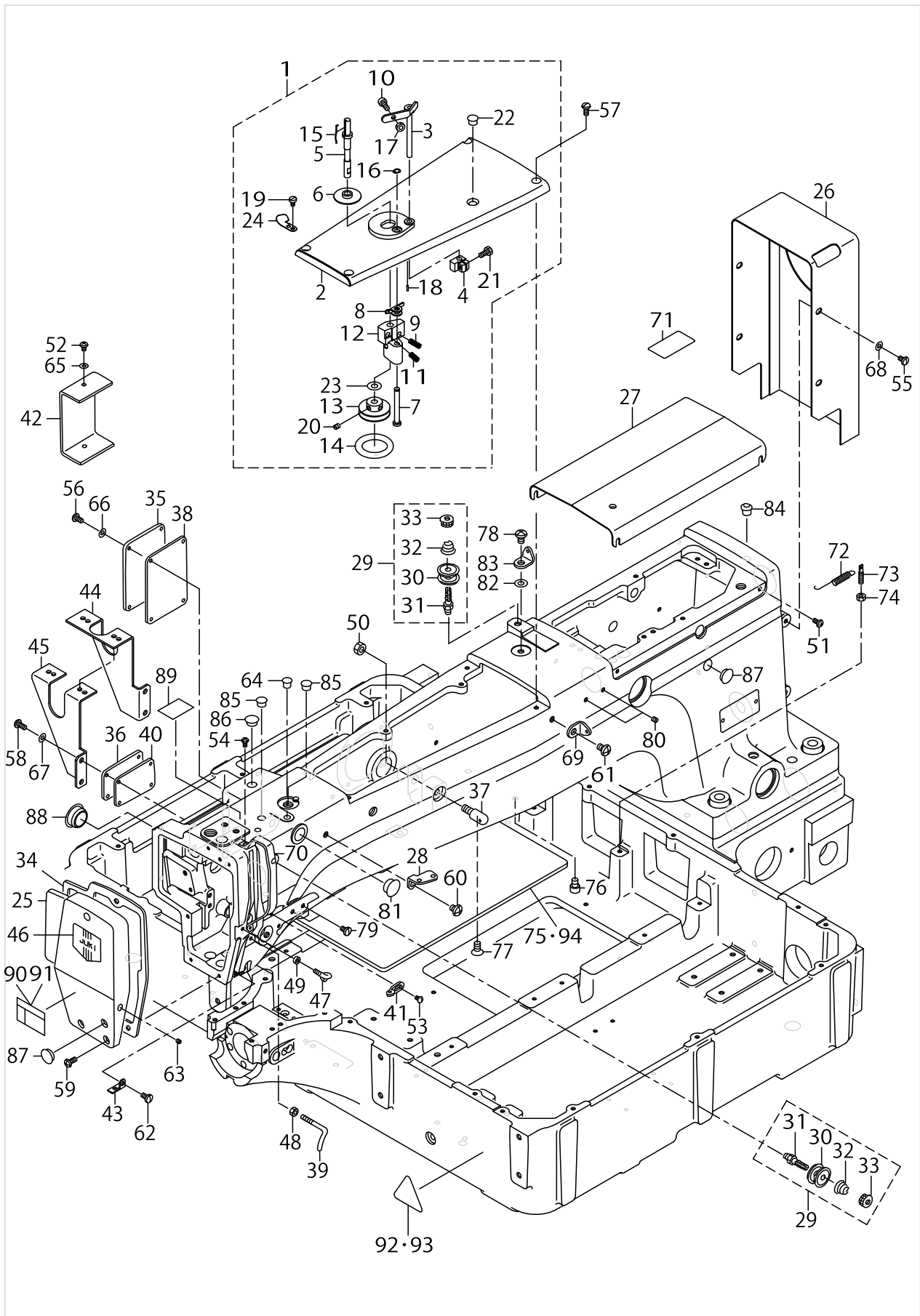
Published:05/12/2017

## CONTENTS

---

FRAME & MISCELLANEOUS COVER COMPONENTS (1) .....	1
FRAME & MISCELLANEOUS COVER COMPONENTS (2) .....	7
FRAME & MISCELLANEOUS COVER COMPONENTS (3) .....	9
MAIM SHAFT & NEEDLE BAR COMPONENTS .....	11
PRESSER MECHANISM COMPONENTS .....	15
SHUTTLE DRIVER SHAFT COMPONENTS(1) .....	19
SHUTTLE DRIVER SHAFT COMPONENTS(2) .....	23
WIPER MECHANISM COMPONENTS .....	27
TENSION RELEASE & TEREAD TRIMMER MECHANISM COMPONENTS .....	29
X-Y COMPONENTS (1) .....	33
X-Y COMPONENTS (2) .....	37
CLOTH FEED MECHANISM COMPONENTS .....	39
LUBRICATION COMPONENTS .....	43
SENSOR COMPONENTS .....	47
PNEUMATIC COMPONENTS .....	49
TABLE COMPONENTS .....	51
THREAD STAND COMPONENTS .....	55
CONTROL BOX COMPONENTS .....	57
OPERETION BOX COMPONENTS .....	59
CIRCUIT BOARD COMPONENTS .....	61
POWER SUPPLY & CORD COMPONENTS .....	63
PEDAL & ELECTRIC EQUIPMENT ACCESSORIE PART COMPONENTS .....	67
ACCESSORIE PART COMPONENTS .....	69
OPTIONAL PART COMPONENTS .....	73
AMS-223P EXCLUSIVE PART COMPONENTS (1) .....	75
AMS-223P EXCLUSIVE PART COMPONENTS (2) .....	79
HOW TO MAKE USE OF THIS PARTS LIST .....	81

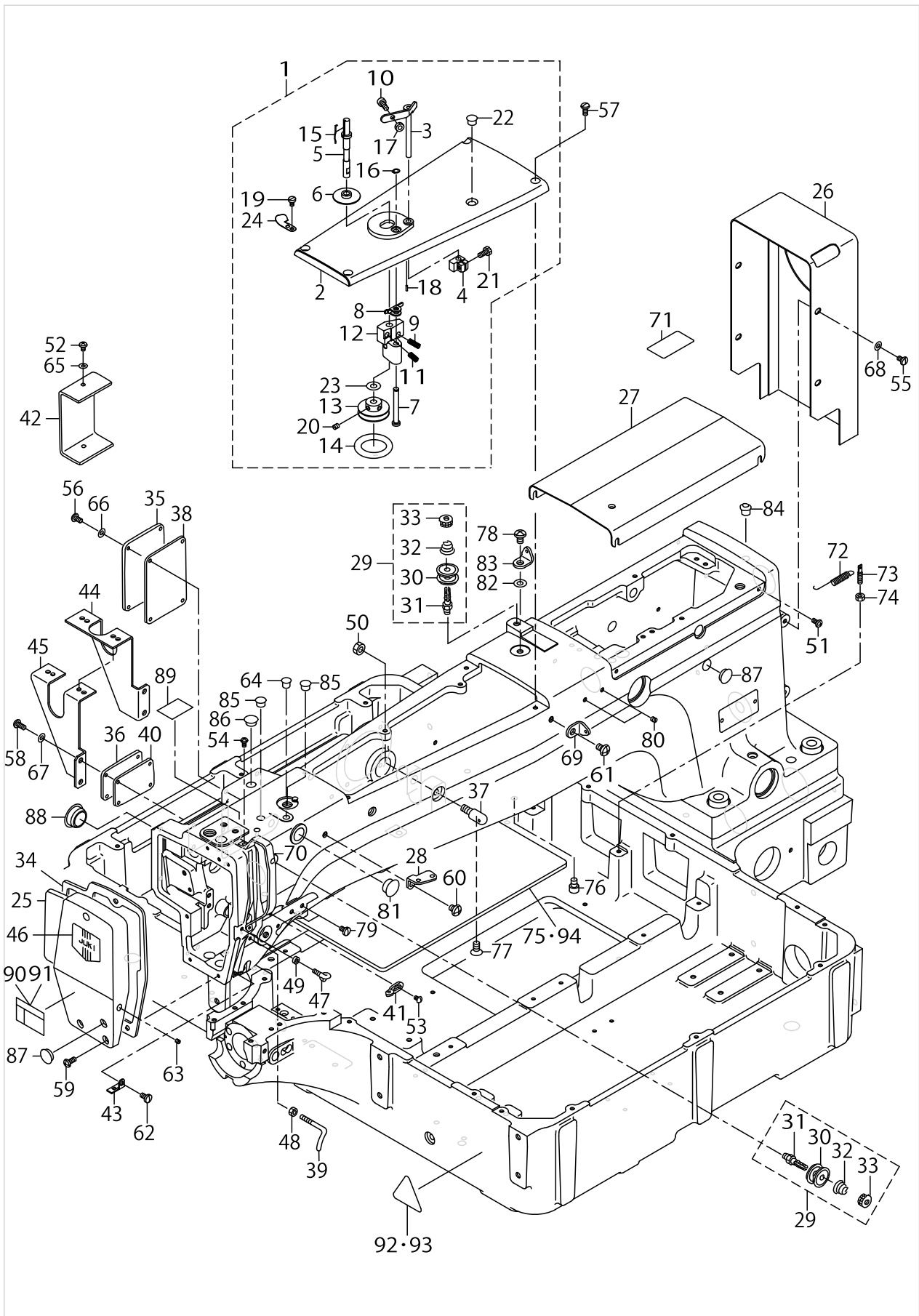
FRAME & MISCELLANEOUS COVER COMPONENTS (1)



FRAME & MISCELLANEOUS COVER COMPONENTS (1)

No.	Supply Code	Parts No.	Replacement	Parts name	Remarks	Choice	Step	Level	Cons	Qty	Rep. QTY
1		B1104223CA0		TOP COVER, FRONT ASM.						1	
2		B1104223C00		TOP COVER, FRONT				*		1	
3		B32012100A0		STOP LATCH ASM.				*		1	
4		B3203210000		CAM				*		1	
5		B3204210000		SPINDLE				*		1	
6		B3205210000		CUSHION				*		1	
7		B3206210000		SCREW STUD				*		1	
8		B3207210000		TRIP LATCH				*		1	
9		B3208210000		SPRING A				*		1	
10		B3208280000		BOBBIN WINDER A- DJUSTING SCREW				*		1	
11		B3209210000		SPRING B				*		1	
12		B3210210000		BOBBIN WINDER BASE				*		1	
13		B3211210000		BOBBIN WINDER WHEEL				*		1	
14		B3212210000		FRICTION WHEEL				*		1	
15		B3212761000		LATCH SPRING				*		1	
16		D2430555B00		SNAP RING				*		1	
17		NS6110530SP		NUT 11/64-40				*		1	
18		PS0150065KP		SPRING PIN 1.5X6				*		1	
19	R	SS6090620SP	SS6090620TP	SCREW 9/64-40 L=6				*		2	1.00
20		SS8110520TP		SCREW 11/64-40 L= 4.5				*		2	
21		SS9111020TP		SCREW 11/64-40L=10				*		1	
22		TA0850604R0		RUBBER PLUG				*		1	
23		WP0651056SH		WASHER 6.5X11X1				*		1	
24		10502300		THREAD CUTTER				*		1	
25	D R	B110522000A	B11052200AA	FACE PLATE						1	1.00
26		B1107223C00		BELT COVER						1	
27	D	B1109223C00		TOP COVER, REAR						1	
28	R	B1111232000	26211904	THREAD GUIDE PLATE						1	1.00
29	R	B11152320A0	26218651	FIRST THREAD TENSION ASM.						2	1.00
30	R	B3126012000	22921506	THREAD TENSION DISK				*		4	1.00
31	R	B3123352000	26220400	THREAD TENSION ROD				*		2	1.00
32		B1115232000		FIRST THREAD TENSION SPRING				*		2	
33	R	B3125012000	22928808	THREAD TENSION NUT				*		2	1.00
34		B1117220000		FACE PLATE GASKET						1	
35		B112222000B		COVER (A)						1	
36		B112322000B		COVER (B)						1	
37	R	B1123280000	26212001	FIRST THREAD GUIDE						1	1.00
38		B1124220000		GASKET A						1	
39		B1125215P00		L-SHAPED THREAD GUIDE						1	
40	D	B1125220000		GASKET B						1	
41		B1126552000		ARM THREAD GUIDE A						1	
42		B112821000B		SWITCH COVER						1	
43		B1129210000		FRAME THREAD GUIDE (B)						1	
44		B1142223C00		FIXING PLATE A						1	
45		B1143223C00		FIXING PLATE B						1	
46		B1178191000		FACE PLATE DRESSING TABLE						1	

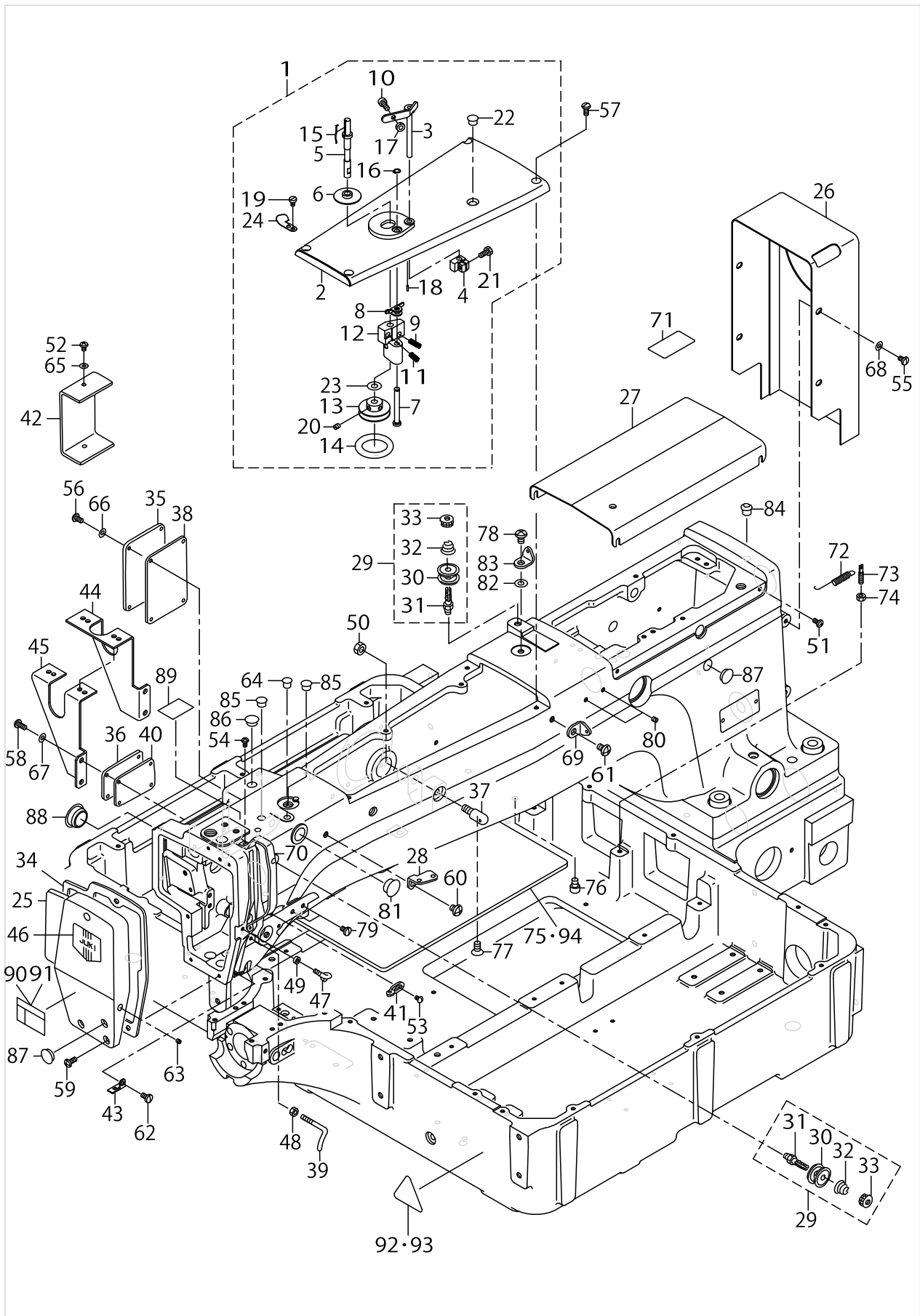
FRAME & MISCELLANEOUS COVER COMPONENTS (1)



FRAME & MISCELLANEOUS COVER COMPONENTS (1)

No.	Supply Code	Parts No.	Replacement	Parts name	Remarks	Choice	Step	Level	Cons	Qty	Rep. QTY
47		B3114771000		THREAD GUIDE						1	
48		NS6090310SP		NUT 9/64-40						1	
49		NS6090310SP		NUT 9/64-40						1	
50		NS6150310SP		NUT 15/64-28						1	
51		SL4040891SC		SCREW M4 L=8						4	
52		SM4040601SC		SCREW M4X0.7 L=6						2	
53		SS3090610SP		SCREW 9/64-40 L=6						1	
54		SS4090715SP		SCREW 9/64-40 L=7						2	
55		SS4110715SP		SCREW 11/64-40 L=7						4	
56		SS4110815SP		SCREW 11/64-40 L=8						4	
57		SS4111015SP		SCREW11/64-40L=10						4	
58		SS4111015SP		SCREW11/64-40L=10						4	
59		SS4111015SP		SCREW11/64-40L=10						3	
60		SS4150715SP		SCREW 15/64-28 L=7						1	
61		SS4150915SP		SCREW 15/64-28 L=9						1	
62		SS7110840SP		SCREW 11/64-40 L=7.8						1	
63		SS8090410SP		SCREW 9/64-40L=3.5						1	
64		TA0750704R0		RUBBER PLUG						1	
65		WP0430801SC		WASHER 4.3X9X0.8						2	
66		WP0450000SD		WASHER 4.5X8X0.5						4	
67		WP0450000SD		WASHER 4.5X8X0.5						4	
68		WP0450801SD		WASHER 4.5X10X0.8						4	
69	R	13786306	40010414	THREAD GUIDE NO.1						1	1.00
70	R	13816608	26211607	BALANCE COVER						1	1.00
71		29145505		THREADING SHELL						1	
72		B2431215000		THREAD TRIMMER LINK SPRING						1	
73	R	B1649161000	26226506	TENSION SPRING A-DJUSTING SCREW						1	1.00
74		NS6110310SP		NUT 11/64-40						1	
75		B1502223C00		PLATE						1	
76		SM6060802TP		SCREW M6 L=8						2	
77		B1503223C00		SCREW						4	
78		SS4150915SP		SCREW 15/64-28 L=9						1	
79		SS7110710SP		SCREW 11/64-40 L=7						2	
80	D	SS8110560SP		SCREW 11/64-40 L=4.5						2	
81		TA1470704R0		RUBBER PLUG						1	
82		WP0621016SD		WASHER 6.2X13X1						1	
83	R	13786306	40010414	THREAD GUIDE NO.1						1	1.00
84	R	B1405012000	22901409	CAP						1	1.00
85		TA0850604R0		RUBBER PLUG						2	
86		TA1050504R0		RUBBER PLUG						1	
87		TA1250406R0		RUBBER PLUG D=12.5 L=4						3	
88		TA2100904R0		RUBBER PLUG						1	
89	D	B1143210000		LABEL	FOR JE					1	
90		CM300200301		SAFETY LABEL, 5(SMALL).	FOR DOME-STIC USE					1	
91		CM3002003A1		SAFETY LABEL.,6 (SMALL).	FOR EXPORT					1	

FRAME & MISCELLANEOUS COVER COMPONENTS (1)

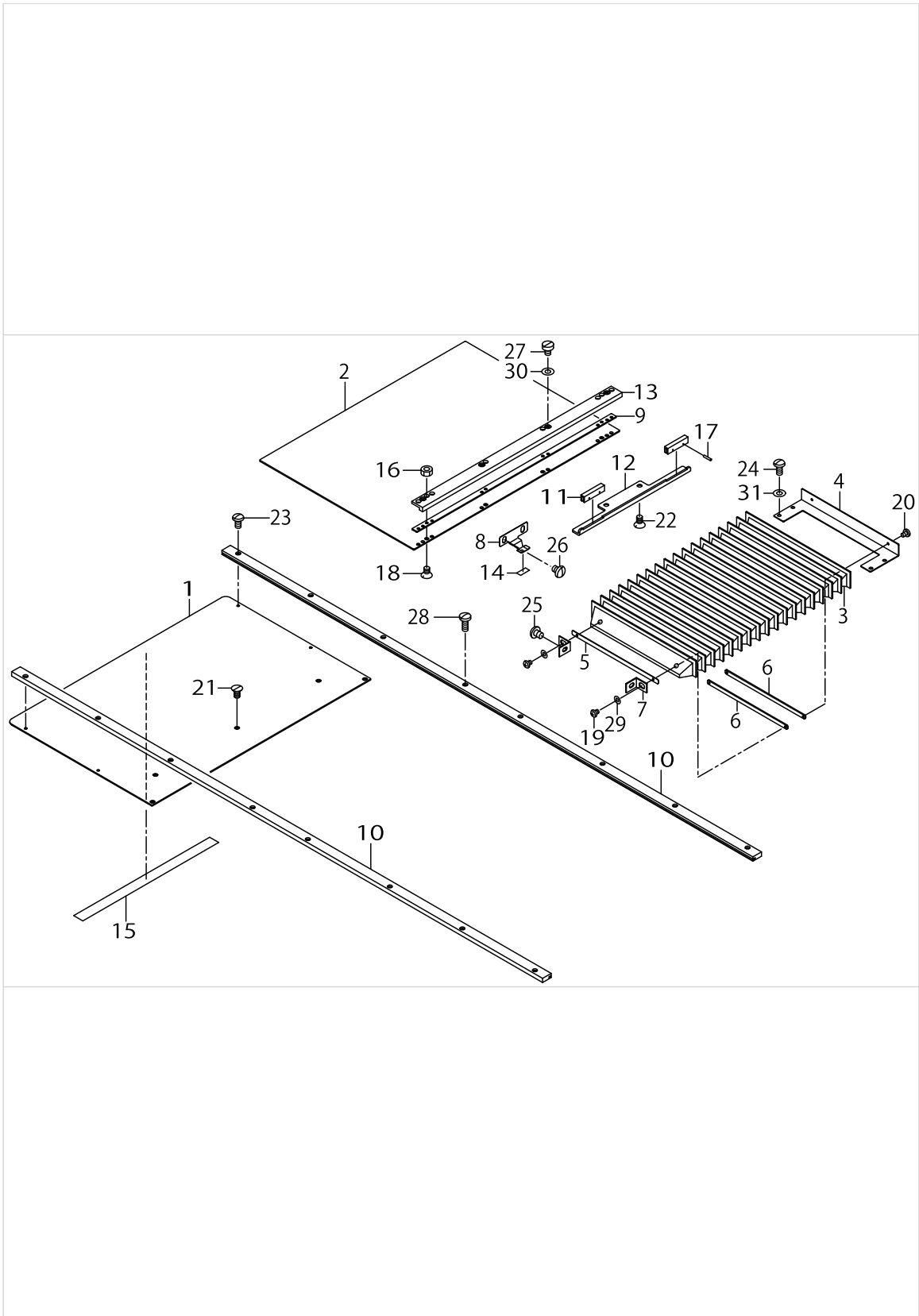


FRAME & MISCELLANEOUS COVER COMPONENTS (1)

No.	Supply Code	Parts No.	Replacement	Parts name	Remarks	Choice	Step	Level	Cons	Qty	Rep. QTY
92		CM3002000B2		LABEL(25).	FOR DOME- STIC USE					1	
93		CM300200002		CAUTION LABEL(25)	FOR JE					1	
94		B1504223C00		PRESSER PLATE SHEET						1	



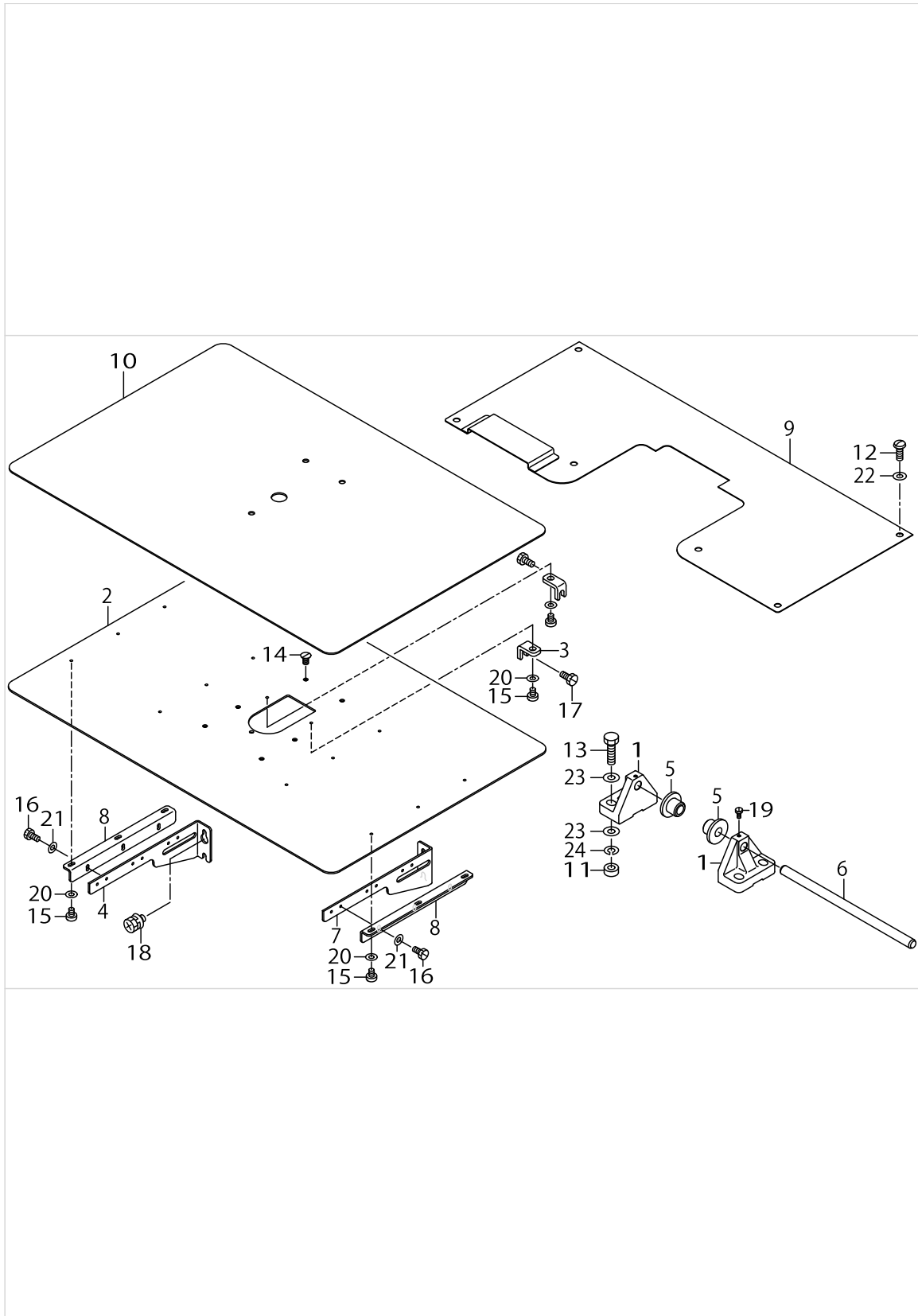
FRAME & MISCELLANEOUS COVER COMPONENTS (2)



FRAME & MISCELLANEOUS COVER COMPONENTS (2)

No.	Supply Code	Parts No.	Replacement	Parts name	Remarks	Choice	Step	Level	Cons	Qty	Rep. QTY
1		B1108223C00		COVER						2	
2		B1110223C00		AUXILIARY COVER						2	
3		B1153223C00		MOVEMENT COVER						1	
4		B1154223C00		MOVEMENT COVER STAY						1	
5		B1155223C00		FIXING PLATE						1	
6		B1156223C00		FIXING PLATE B						2	
7		B1157215000		MOVEMENT COVER PLATE						2	
8	D	B1158223C00		COVER PRESSER PLATE						2	
9		B1180223C00		RAIL INSTALLING PLATE						2	
10		B1181223C00		RAIL X						2	
11		B1193223C00		GUIDE RAIL CLICK						4	
12		B1182223C00		RAIL GUIDE						2	
13		B1183223C00		RAIL Y						2	
14		B1185223C00		TAPE						2	
15		B1198229000		FEED BASE COVER HOLDING RUBBER						2	
16		NS6110310SP		NUT 11/64-40						8	
17		PS0150065KP		SPRING PIN 1.5X6						8	
18		SS2110710TP		SCREW 11/64-40 L=7						8	
19		SM4030401SC		SCREW M3X0.5 L=4						2	
20		SM7030450SC		SCREW M3X0.5 L=4						2	
21		SS1110840SP		SCREW 11/64-40 L=8						10	
22		SS1110840SP		SCREW 11/64-40 L=8						4	
23		SS4110815SP		SCREW 11/64-40 L=8						8	
24		SS4110915SP		SCREW 11/64-40 L=9						4	
25		SS4120615SP		SCREW 3/16-28 L=6						2	
26		SS4120615SP		SCREW 3/16-28 L=6						4	
27		SS6110610TP		SCREW 11/64-40 L=6						8	
28		SS7111120TP		SCREW						8	
29		WP0330501SB		WASHER M3						2	
30		WP0450000SD		WASHER 4.5X8X0.5						8	
31		WP0450801SD		WASHER 4.5X10X0.8						4	

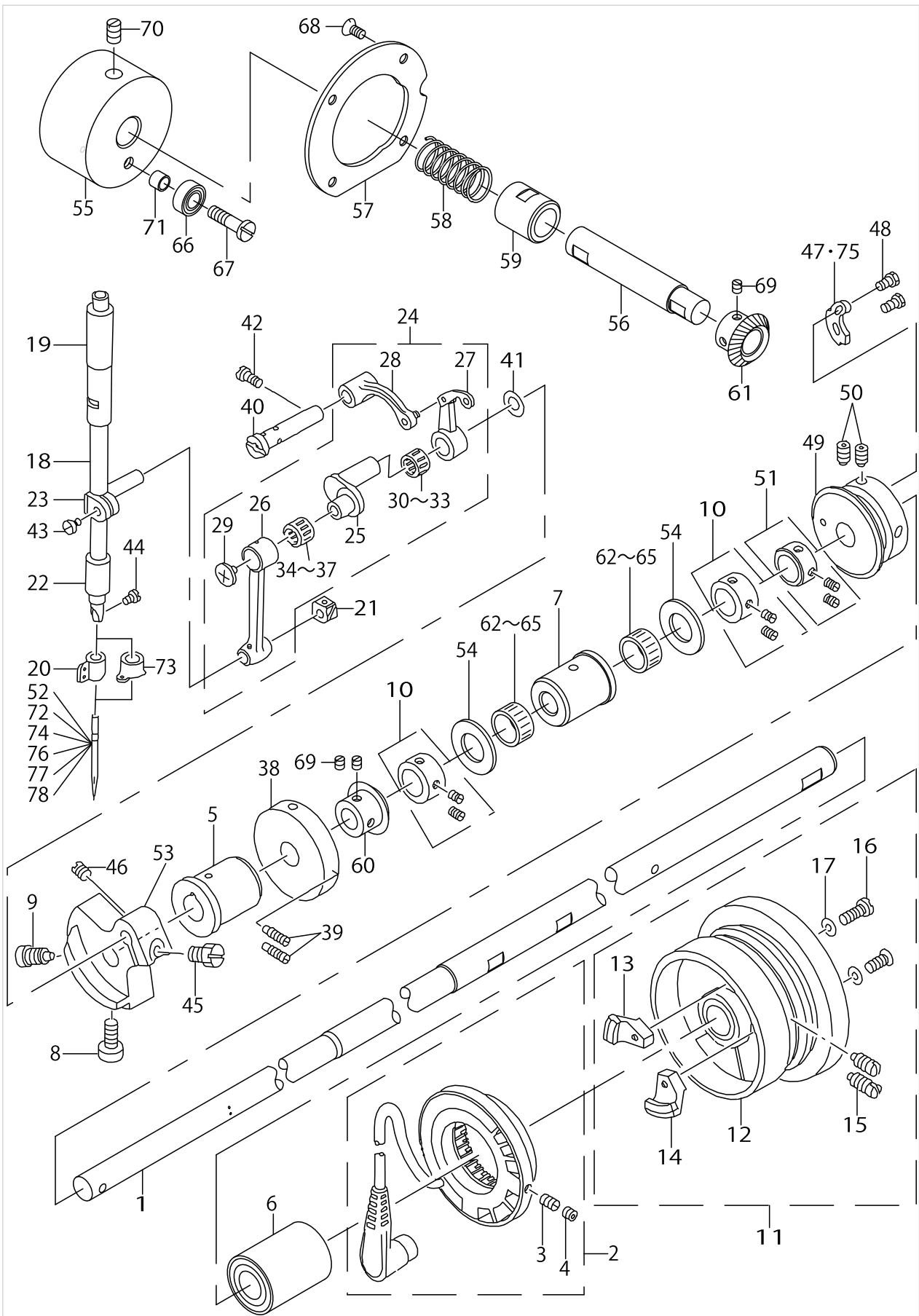
FRAME & MISCELLANEOUS COVER COMPONENTS (3)



FRAME & MISCELLANEOUS COVER COMPONENTS (3)

No.	Supply Code	Parts No.	Replacement	Parts name	Remarks	Choice	Step	Level	Cons	Qty	Rep. QTY
1		B1111220000A		BED HINGE						2	
2		B1112223C00		COVER						1	
3		B1113223C00		COVER SUPPORTER						2	
4	D	B1121223C00		COVER SUPPORTER, RIGHT						2	
5		B1115220000		RUBBER PAD A						2	
6		B1120223C00		HING SHAFT						1	
7	D	B1121223C0A		COVER SUPPORTER, LEFT						2	
8		B1132223C00		COVER BASE						4	
9	D	B1159223C00		TABLE COVER, REAR						1	
10	D	B1170223C00		COVER SHEET						1	
11		NM6120011SF		NUT M12						4	
12		SM5051400SC		SCREW M5 L=14						6	
13		SM9124503SB		SCREW M12 L=45						4	
14		SS1110840SP		SCREW 11/64-40 L=8						2	
15		SS6110610TP		SCREW 11/64-40 L=6						14	
16		SS9110920CP		SCREW 11/64-40 L=9						12	
17		SS9121010TP		SCREW						2	
18		SL9061291SE		WASHER HEXAGON- AL BOLT M6 L=12						8	
19		SS9151240SN		SCREW 15/64-28 L=11.5						2	
20		WP0520656SA		WASHER 5.2X9.5X0.6						14	
21		WP0520656SA		WASHER 5.2X9.5X0.6						12	
22		WP0841601SC		WASHER 8.4X17.4X1.6						10	
23		WP1302501SE		WASHER M12						8	
24		WS1253010KN		SPRING WASHER 12.5X21.5X3						4	

MAIM SHAFT & NEEDLE BAR COMPONENTS



MAIM SHAFT & NEEDLE BAR COMPONENTS

No.	Supply Code	Parts No.	Replacement	Parts name	Remarks	Choice	Step	Level	Cons	Qty	Rep. QTY
1	D	B1201223C00		MAIN SHAFT						1	
2		B12092200A0		GENERATOR STATOR ASM.						1	
3		SS8111010TP		SCREW 11/64-40 L=9.5				*		2	
4		SS8110422TP		SCREW 11/64-40 L=4				*		2	
5		B1202210000		BUSHING, FRONT						1	
6		B12042100A0		BUSHING, REAR						1	
7		B1203223C00		BUSHING INTERMEDIATE						1	
8		SS6151412TP		SCREW 15/64-28L=14						1	
9		SS6681712TP		SCREW 9/32-28 L=16.5						1	
10		CS147121ESH		THRUST COLLAR A- SM.D=14.72 W=12						2	
11		B12052100BA		HAND WHEEL ASM.						1	
12	R	B12052100AA	B12052100BA	HAND WHEEL ASM.				*		1	1.00
13		M40071100AB		MAGNET FITTING BASE B ASM.				*		1	
14		B12082100A0		SOLENOID INSTALL- ING PLATE ASM.				*		1	
15		SS8151550SP		SCREW 15/64-28L=15				*		2	
16		SS6111210SP		SCREW 11/64-40L=12				*		2	
17		WP0450801SD		WASHER 4.5X10X0.8				*		2	
18		B1401210000		NEEDLE BAR						1	
19	R	B1402280000	26203208	NEEDLE ROD METAL						1	1.00
20		B1405210000		THREAD GUIDE A	S TYPE					1	
21		B1414232000		SQUARE BLOCK						1	
22		B1403280000		NEEDLE ROD LOWER METAL						1	
23		B14115520A0		NEEDLE BAR CONNECTING ASM.						1	
24	R	B19012100B0	B19012100C0	THREAD TAKE-UP LEVER ASM.						1	1.00
25		B1407210000		NEEDLE BAR CRANK				*		1	
26		B1404280000		NEEDLE BAR CRANK ROD				*		1	
27	R	B19012100A0	B19012100C0	THREAD TAKE-UP LEVER COMPL.				*		1	1.00
28	R	B1903210000	B19012100C0	THREAD TAKE-UP CRANK				*		1	1.00
29		B1903552000		LEFT SCREW				*		1	
30		B1905541A00		NEEDLE BEARING, A	SELECTIVE PART			*		1	
31		B1905541B00		NEEDLE BEARING	SELECTIVE PART			*		1	
32		B1905541C00		NEEDLE BEARING	SELECTIVE PART			*		1	
33		B1905541D00		NEEDLE BEARING	SELECTIVE PART			*		1	
34		B1411804A00		BEARING (A)	SELECTIVE PART			*		1	
35		B1411804B00		NEEDLE DRIVING L- EVER BEARING B	SELECTIVE PART			*		1	
36		B1411804C00		NEEDLE DRIVING L- EVER BEARING C	SELECTIVE PART			*		1	
37		B1411804D00		BEARING (D)	SELECTIVE PART			*		1	
38		B3213205000		BOBBIN WINDER DRIVING WHEEL						1	
39		SS8111610SP		SCREW 11/64-40 L=15.5						2	
40		B1904280000		BALANCE CRANK PIN						1	
41		B1223771000		NEEDLE ROD CRANK WASHER						1	
42		SS7151120SP		SCREW 15/64-28L=11						1	
43		SS6090670TP		SCREW 9/64-40 L=6						1	
44		SS7080510TP		SCREW 1/8-44 L=4.5						1	
45		SS9661230CP		SCREW 1/4-40 L=12						1	

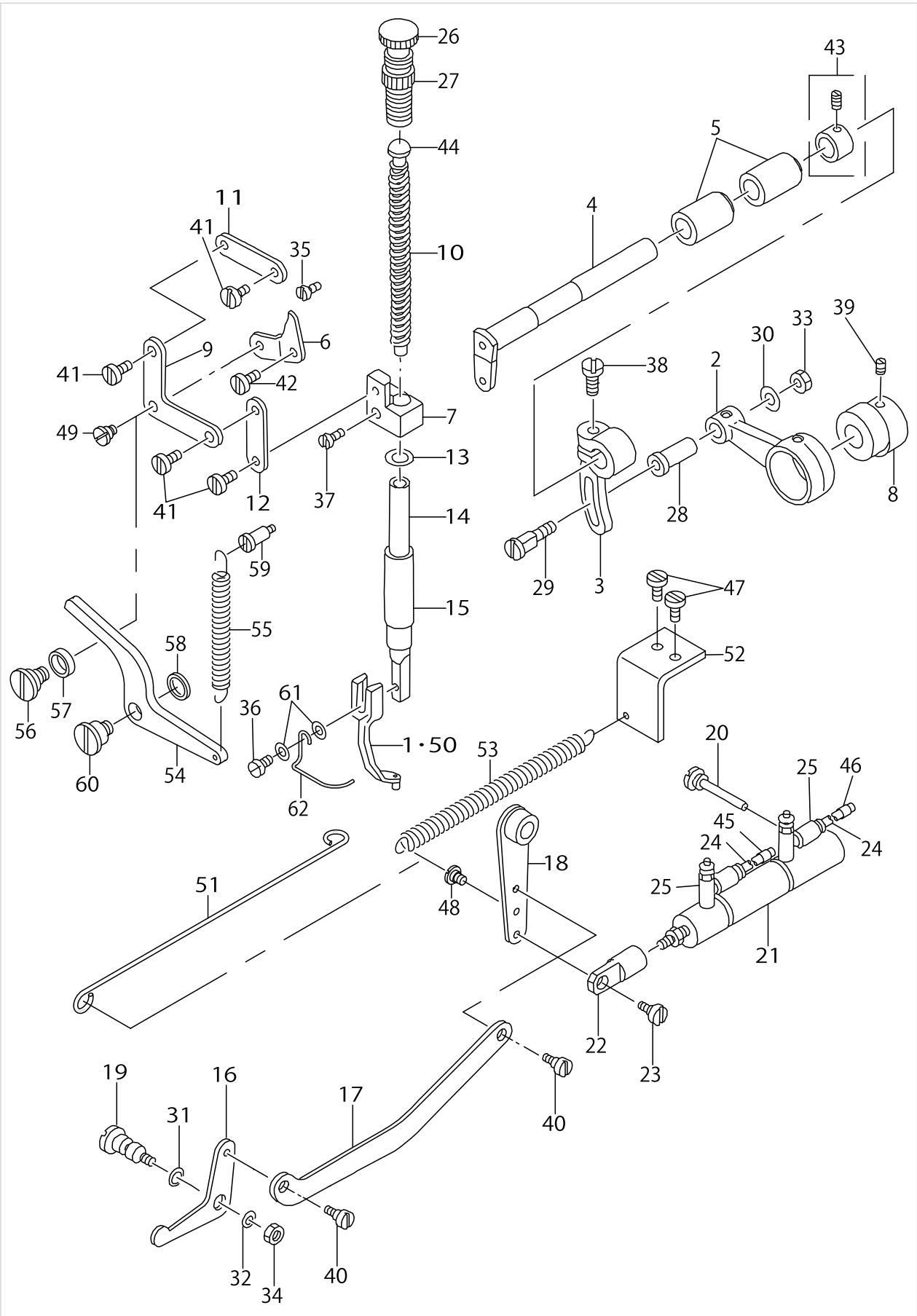


MAIM SHAFT & NEEDLE BAR COMPONENTS

No.	Supply Code	Parts No.	Replacement	Parts name	Remarks	Choice	Step	Level	Cons	Qty	Rep. QTY
46		SS8660610TP		SCREW 1/4-40 L=6						1	
47		B2312220000		TENSION RELEASE NOTCH	S & H TYPE					1	
48		SS9090833TP		SCREW						2	
49		B2401205000		THREAD TRIMMER CAM						1	
50		SS8661012TP		SCREW						2	
51		CS1470710SH		THRUST COLLAR A-SM. D=14.72 W=7						1	
52		MDP500B1400		NEEDLE DPX5 #14	S TYPE(EXCEPT JE)					1	
53		B1206210A00		COUNTERWEIGHT						1	
54		B1211980000		UPPER SHAFT THRUST BEARING						2	
55		B1212223C00		AUXILIARY PULLY						1	
56		B1213223C00		PULLY SHAFT						1	
57		B1214223C00		FIXING PLATE						1	
58		B1215223C00		SPRING						1	
59		B1606155000		FEED ROCKER SHAFT BUSHING, REA						1	
60		B1811059A00		HOOK CONNECTING SHAFT MIGHTER						1	
61		B1811059B00		HOOK CONNECTING SHAFT MIGHTER						1	
62		D1230555B0A		NEEDLE BEARING A						2	
63		D1230555B0B		NEEDLE BEARING (B)	SELECTIVE PART					2	
64		D1230555B0C		NEEDLE BEARING (C)	SELECTIVE PART					2	
65		D1230555B0D		NEEDLE BEARING D	SELECTIVE PART					2	
66		SB106000400		CLUTCH BEARING						1	
67		SD0601051SP		HIGSCREWD=6H=13						1	
68		SS2110920TP		SCREW 11/64-40 L=8.5						4	
69	R	SS8110510SP	SS8110520TP	SCREW 11/64-40 L=5						4	1.00
70		SS8661030SP		SCREW 1/4-40 L=10						2	
71	R	11111309	22956809	BRACKET INSTALLING COLLAR						1	1.00
72		MC200501000		NEEDLE #100	S TYPE(FOR JE)					1	
73	R	B1406210000	40026884	THREAD GUIDE	H & G TYPE					1	1.00
74		MDP170B1800		NEEDLE DPX17 #18	H TYPE(EXCEPT JE)					1	
75		B2312210A00		TENSION RELEASE NOTCH	COMMON USE PART FOR #07 & #09					1	
76		MC372001100		NEEDLE 135X17 #110	H TYPE(FOR JE)					1	
77		MDP170B2300		NEEDLE DPX17 #23	G TYPE(EXCEPT JE)					1	
78		MC372001600		NEEDLE SY3355 160	G TYPE(FOR JE)					1	



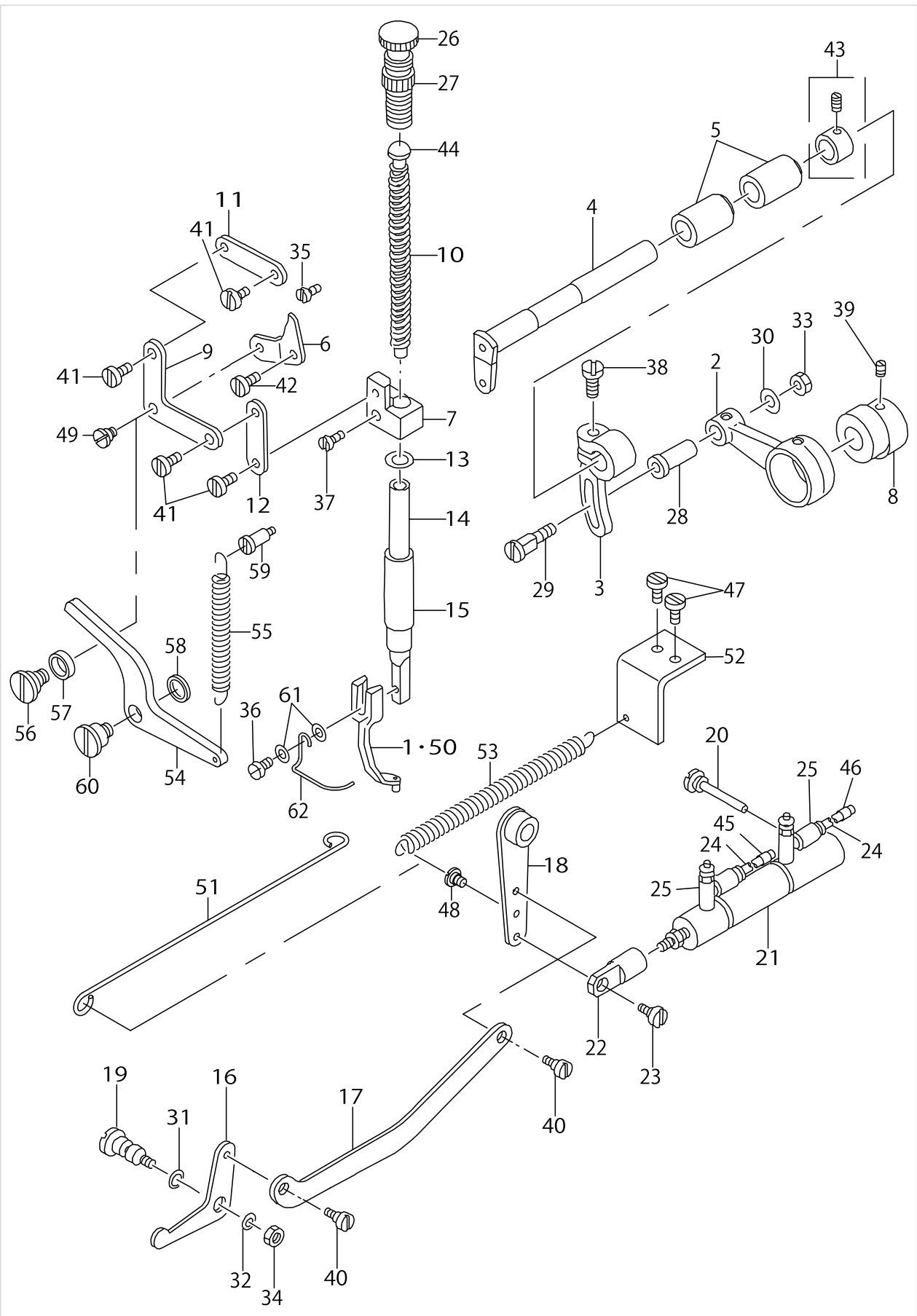
PRESSER MECHANISM COMPONENTS



PRESSER MECHANISM COMPONENTS

No.	Supply Code	Parts No.	Replacement	Parts name	Remarks	Choice	Step	Level	Cons	Qty	Rep. QTY
1		B160122000H		INNER PRESSER, H	S & H TYPE					1	
2		B1602220000		INTERMEDIATE PRESSER ROD						1	
3		B1603220000		INTERMEDIATE PRESSER ROD ARM						1	
4		B1604220000		INTERMEDIATE PRESSER SHAFT						1	
5		B1605220000		INTERMEDIATE PRESSER BUSHING						2	
6		B1606220000		POSITIONING LINK						1	
7	R	B1608220000	B16082200A0	GUIDE BRACKET						1	1.00
8		B1609220000		CAM						1	
9		B1610220000		L-SHAPED LINK						1	
10		B1611224000		SPRING						1	
11		B1612220000		SUSPENSION LINK A						1	
12		B1613220000		SUSPENSION LINK B						1	
13		B1614220000		SPACER						1	
14		B1615224000		PRESSER BAR						1	
15		B1616220000		PRESSER BAR BUSHING, LOWER						1	
16		B1620224000		LIFTING LINK						1	
17		B1621224000		CONNECTING LINK						1	
18		B16222240A0		CONNECTING LINK ARM ASM.						1	
19		B1627220000		LINK PIVOT PIN						1	
20	D	B1628220000		CYLINDER SUPPORT SCREW						1	
21		PA1603003A0		INTERMEDIATE PRESSER CYLINDER						1	
22		B1625224000		CYLINDER KNUCKLE						1	
23		SD0640321SP		HINGE SCREW D= 6.35 H= 3.2						1	
24		BT0400251EB		URETHANE HOSE, BLACK						2.5	
25		PC010508000		SPEED CONTROLLER						2	
26	R	11071602	22907554	PRESSER SPRING REGULATOR						1	1.00
27	R	11071701	22907554	NUT						1	1.00
28		D1455055B00		CONNECTING STUD						1	
29		D1456055B00		HINGE SCREW						1	
30		D1457055B00		WASHER						1	
31		RO048190100		RUBBER RING						1	
32		WP0612066SP		WASHER 6.1X11X2						1	
33		NS6110530SP		NUT 11/64-40						1	
34		NS6150430SP		NUT 15/64-28						1	
35		SS6150710SP		SCREW						1	
36	R	SS7091110SP	SS7091110TP	SCREW 9/64-40 L=10.5						1	1.00
37		SS7111410TP		SCREW 11/64-40 L=14						1	
38		SS7661540SP		SCREW 1/4-40 L=15.0						1	
39		SS8660610TP		SCREW 1/4-40 L=6						2	
40		SD0640321SP		HINGE SCREW D= 6.35 H= 3.2						2	
41		SD0640321TP		HINGE SCREW D=6.35 H=3.2						4	
42		SD0720321TP		HINGE SCREW						1	
43		CS111101CSH		THRUST COLLAR ASM.D=11.11 W=10						1	
44		B1629224000		PRESSER GUIDE BAR						1	
45		B471122000A		AIR TUBE LABEL J01						1	

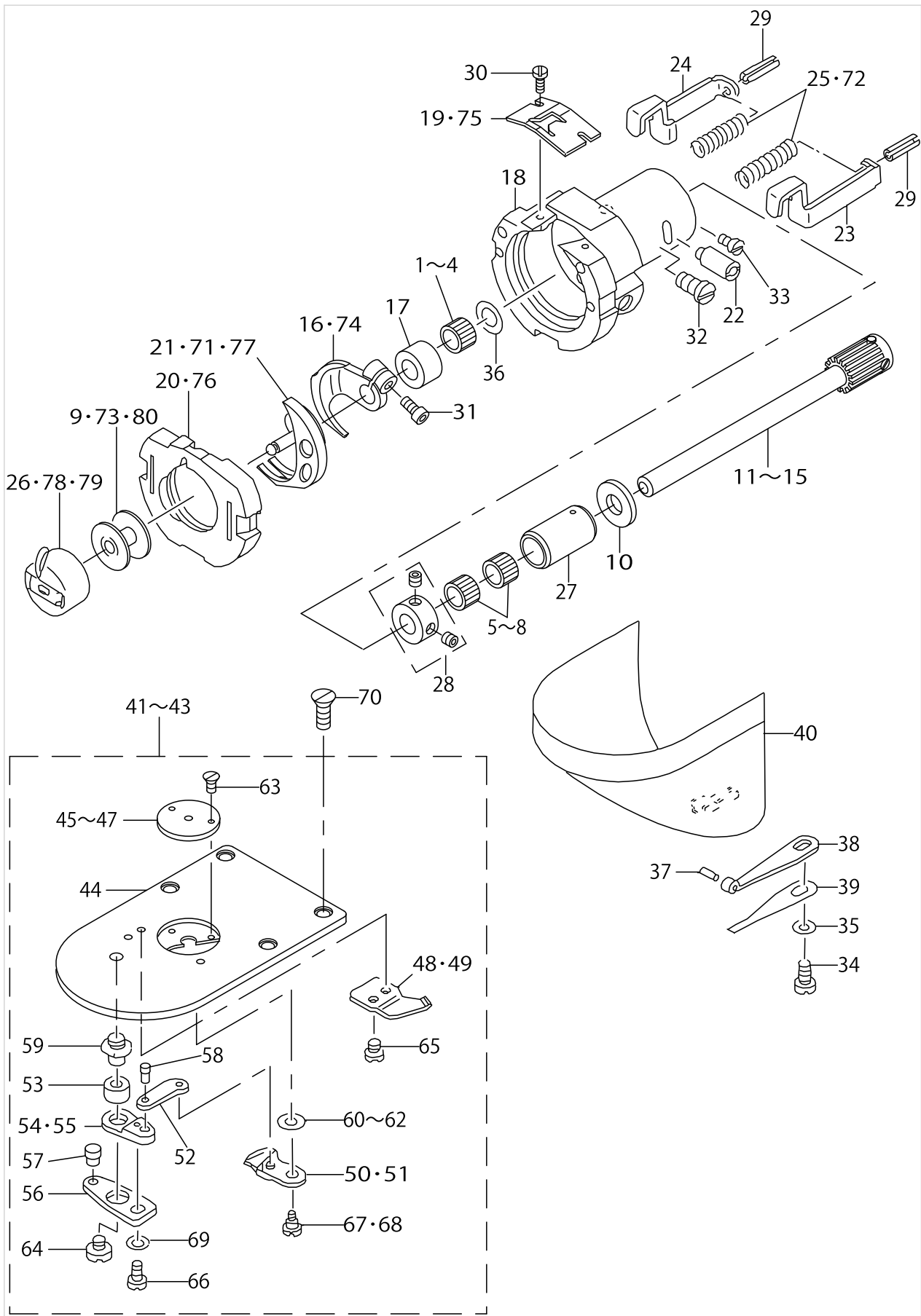
PRESSER MECHANISM COMPONENTS



PRESSER MECHANISM COMPONENTS

No.	Supply Code	Parts No.	Replacement	Parts name	Remarks	Choice	Step	Level	Cons	Qty	Rep. QTY
46		B471122000B		AIR TUBE LABEL J02						1	
47		SS7110840SP		SCREW 11/64-40 L=7.8	G TYPE					2	
48		SD0550212TP		HINGE SCREW D=5.5 H=2.1	G TYPE					1	
49		SD0640321TP		HINGE SCREW D=6.35 H=3.2	S & H TYPE					1	
50		B160122000G		INNER PRESSER G	G TYPE					1	
51		B1646223C00		CONNECTING ROD	G TYPE					1	
52		B1612215000		LIFTING SPRING PLATE	G TYPE					1	
53		B1626215000		PRESSER LIFTING SPRING	G TYPE					1	
54	D	B1641215000		PRESSER PLATE	G TYPE					1	
55		B1642215000		SPRING B	G TYPE					1	
56		B1644215000		HINGE SCREW	G TYPE					1	
57		B1645215000		PRESSER LINK	G TYPE					1	
58		B322877100B		BOBBIN WINDER SPACER	G TYPE					1	
59		SD0550501SP		HINGE SCREW D=5.5 H=5	G TYPE					1	
60		SD0720321TP		HINGE SCREW	G TYPE					1	
61		WP0430800SC		WASHER M4						2	
62		B1634210000		FINGER GUARD						1	

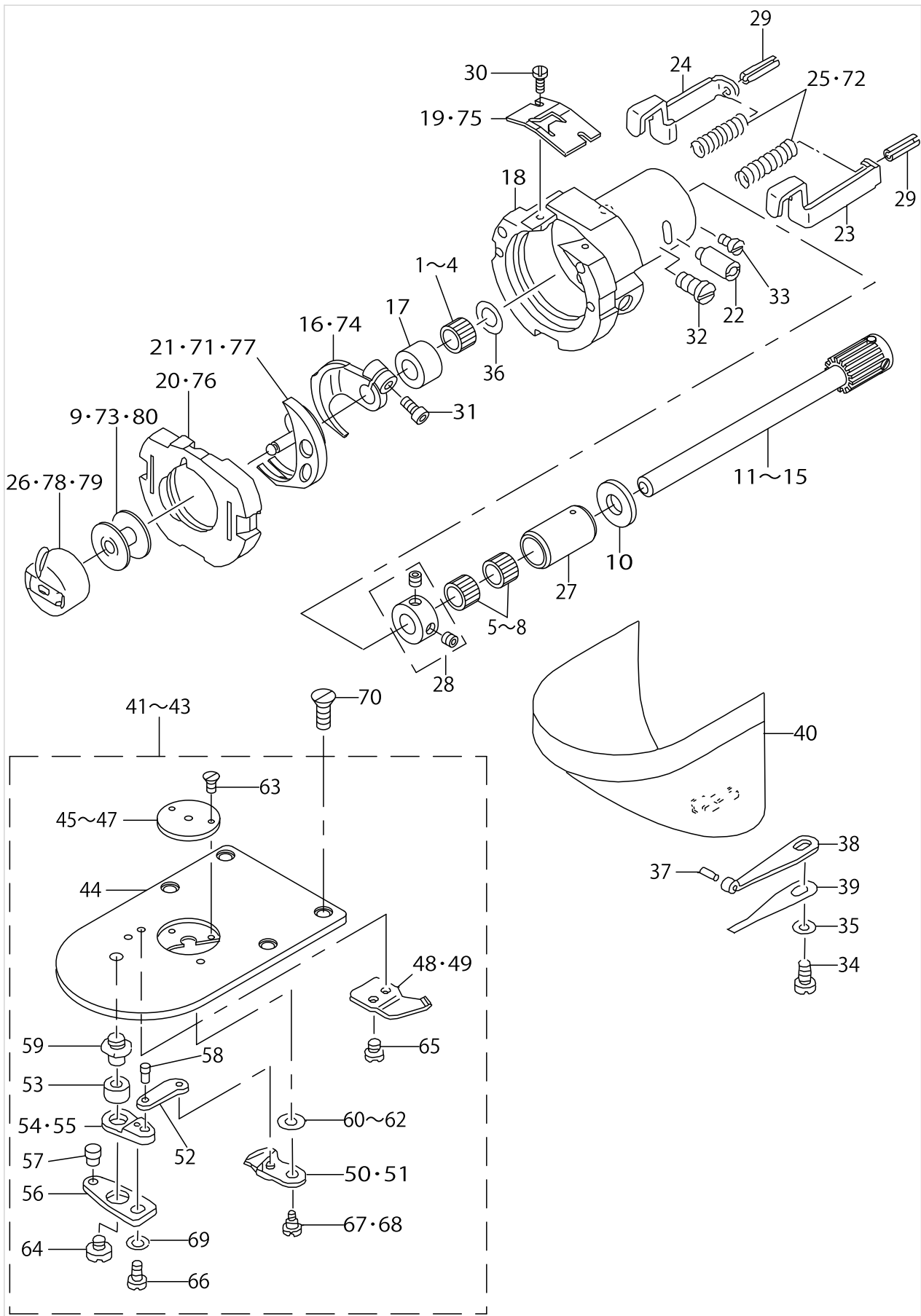
SHUTTLE DRIVER SHAFT COMPONENTS(1)



SHUTTLE DRIVER SHAFT COMPONENTS(1)

No.	Supply Code	Parts No.	Replacement	Parts name	Remarks	Choice	Step	Level	Cons	Qty	Rep. QTY
1		B1411804A00		BEARING (A)						1	
2		B1411804B00		NEEDLE DRIVING L- EVER BEARING B	SELECTIVE PART					1	
3		B1411804C00		NEEDLE DRIVING L- EVER BEARING C	SELECTIVE PART					1	
4		B1411804D00		BEARING (D)	SELECTIVE PART					1	
5		B1430180A00		NEEDLE BEARING						2	
6		B1430180B00		NEEDLE BEARING	SELECTIVE PART					2	
7		B1430180C00		NEEDLE BEARING C	SELECTIVE PART					2	
8		B1430180D00		NEEDLE BEARING	SELECTIVE PART					2	
9		B1805205000		BOBBIN	S TYPE					1	
10		B1808980000		LOWER SHAFT THRUST WASHER						1	
11		B1811223CAA		SHUTTLE DRIVER SHAFT A ASM.						1	
12		B1811223CAB		SHUTTLE DRIVER SHAFT B ASM.	SELECTIVE PART					1	
13	D	B1811223CAC		SHUTTLE DRIVER SHAFT C ASM.	SELECTIVE PART					1	
14	D	B1811223CAY		SHUTTLE DRIVER SHAFT Y ASM.	SELECTIVE PART					1	
15		B1811223CAZ		SHUTTLE DRIVER SHAFT Z ASM.	SELECTIVE PART					1	
16	R	B1812205000	B18122050A0	SHUTTLE DRIVER	COMMON USE PART FOR #02 & #03					1	1.00
17		B1813980000		SHUTTLE NEEDLE OUTER RING						1	
18		B1814215000		SHUTTLE						1	
19	R	B1815980000	26222109	SHUTTLE UPPER SPRING	COMMON USE PART FOR #02 & #03					1	1.00
20		B18172050A0		SHUTTLE RACE RING ASM.	COMMON USE PART FOR #02 & #03					1	
21		B1818205000		SHUTTLE	S TYPE					1	
22	R	B1819280000	26222208	SHUTTLE RACE AD- JUSTING SHAFT						1	1.00
23	R	B1820280000	26222307	INNER HOOK PRESSER, RIGHT						1	1.00
24	R	B1821280000	26222406	INNER HOOK PRESSER, LEFT						1	1.00
25	R	B1823280000	26222505	INNER HOOK PRESSER SPRING	S TYPE					2	1.00
26		B18282050A0		BOBBIN CASE ASM.	S TYPE					1	
27		B1847223C00		BUSHING, REAR						1	
28		CS080081FSH		THRUST COLLAR ASM.						1	
29		PS0250162KH		SPRING PIN 2.5X16						2	
30		SS6060410TP		SCREW 3/32-56 L=3.5						2	
31		SS6121212TP		SCREW 3/16-28 L=12.0						1	
32		SS6151220SP		SCREW 15/64-28 L=11.5						1	
33		SS7110510SP		SCREW 11/64-40 L=5						1	
34		SS7110840SP		SCREW 11/64-40 L=7.8						1	
35		WP0531000SD		WASHER M5						1	
36		WP0952616SD		WASHER 9.5X14.8X2.6						1	
37		13508700		HOOK COVER PRE- SSER SPRING PIN						1	
38	R	13508809	26221101	HOOK COVER PRESSER SPRING A						1	1.00
39	R	13508908	26221200	HOOK COVER PRESSER SPRING B						1	1.00
40	R	13816855	40142674	CYLINDER ARM CAP						1	1.00
41		B24252150A0		NEEDLE PLATE ASM.	S TYPE					1	
42		B24252150AB		NEEDLE PLATE H ASM.	H TYPE					1	

SHUTTLE DRIVER SHAFT COMPONENTS(1)

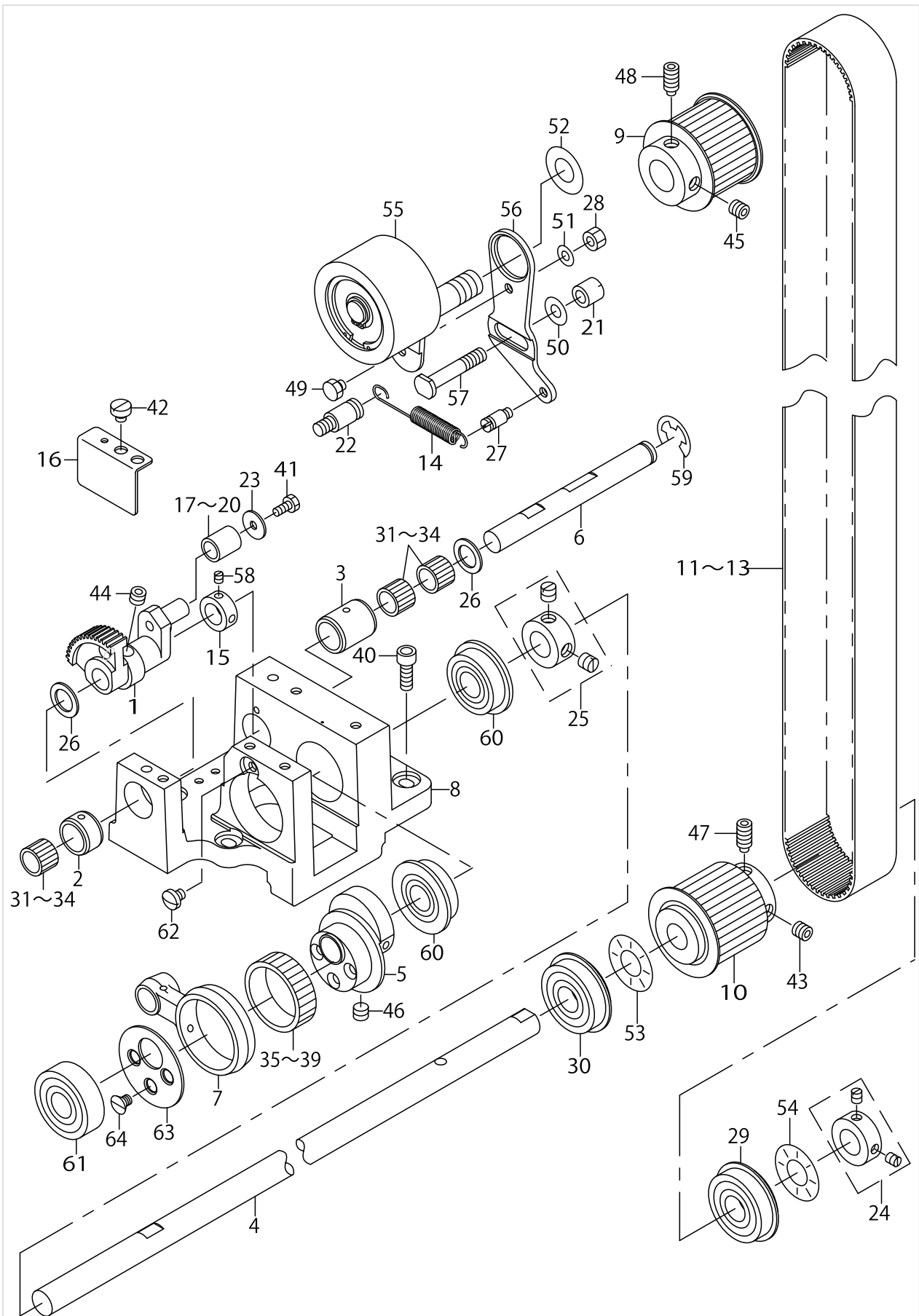


SHUTTLE DRIVER SHAFT COMPONENTS(1)

No.	Supply Code	Parts No.	Replacement	Parts name	Remarks	Choice	Step	Level	Cons	Qty	Rep. QTY
43		B24252150AC		NEEDLE PLATE G ASM.	G TYPE					1	
44		B2425215000		NEEDLE PLATE				*		1	
45		B242621000A		NEEDLE HOLE GUIDE D=1.6	S TYPE			*		1	
46		B242621000B		NEEDLE HOLE GUIDE D=2.0	H TYPE			*		1	
47		B242621000F		NEEDLE HOLE GUIDE D=3.0	G TYPE			*		1	
48		B2424210000		COUNTER KNIFE	COMMON USE PART FOR #02 & #03			*		1	
49		B2424210A00		FIX KNIFE	G TYPE			*		1	
50		B24212050A0		MOVING KNIFE ASM.	COMMON USE PART FOR #02 & #03			*		1	
51		B2421210AA0		MOVING KNIFE COMPL.	G TYPE			*		1	
52		B2418280000		MOVING KNIFE LINK				*		1	
53		B2416280000		THREAD CUTTING LEVER RING				*		1	
54		B24152800A0		THREAD CUTTER L- EVER ASM., SMAL	COMMON USE PART FOR #02 & #03			*		1	
55	R	B2416210000	B24162100A0	THREAD CUTTER LEVER,SMALL	G TYPE			*		1	1.00
56	R	B2414280000	B24142800A0	MOVING KNIFE DRIVING LEVER				*		1	1.00
57		B2419280000		MOVING KNIFE CO- NECTING LINK S				*		1	
58	R	B2420280000	B24152800A0	MOVING KNIFE CO- NECTING LINK P				*		1	1.00
59		B2417280000		THREAD CUTTER LEVER SHAFT				*		1	
60		B242328000A		MOVING KNIFE WASHER A				*		1	
61		B242328000B		MOVING KNIFE WASHER B	SELECTIVE PART			*		1	
62		B242328000C		MOVING KNIFE WASHER C	SELECTIVE PART			*		1	
63		SS1060210TP		SCREW 3/32-56 L=2.2				*		2	
64		SS6110430TP		SCREW 11/64-40 L= 4.0				*		1	
65		SS7090410SP		SCREW 9/64-40 L=3.5				*		2	
66		SS7110740TP		SCREW 11/64-40 L=7				*		1	
67		SD0600101TP		HINGE SCREW	COMMON USE PART FOR #02 & #03			*		1	
68		B2417210000		MOVING KNIFE HINGE SCREW	G TYPE			*		1	
69		WP0450846SP		WASHER				*		1	
70		SS1110640TP		SCREW 11/64-40 L= 5.5						4	
71		B1818205A0B		HSMALLINNERHOOK.	H TYPE					1	
72		13512405		SPRING	COMMON USE PART FOR #03 & #04					2	
73		B1805210A00		BOBBIN	G TYPE					1	
74	R	B1812210000	B18122100A0	SCREW DRIVER	G TYPE					1	1.00
75		B1815210000		INNER HOOK UPPER SPRING	G TYPE					1	
76		B18172100AB		SHUTTLE RACE RING B ASM.	G TYPE					1	
77		B1818210000		SHUTTLE	G TYPE					1	
78		B18282100A0		BOBBIN CASE ASM.	G TYPE					1	
79		B18282050AA		BOBBIN CASE ASM.	H TYPE					1	
80		B180520500B		BOBBIN.	H TYPE					1	



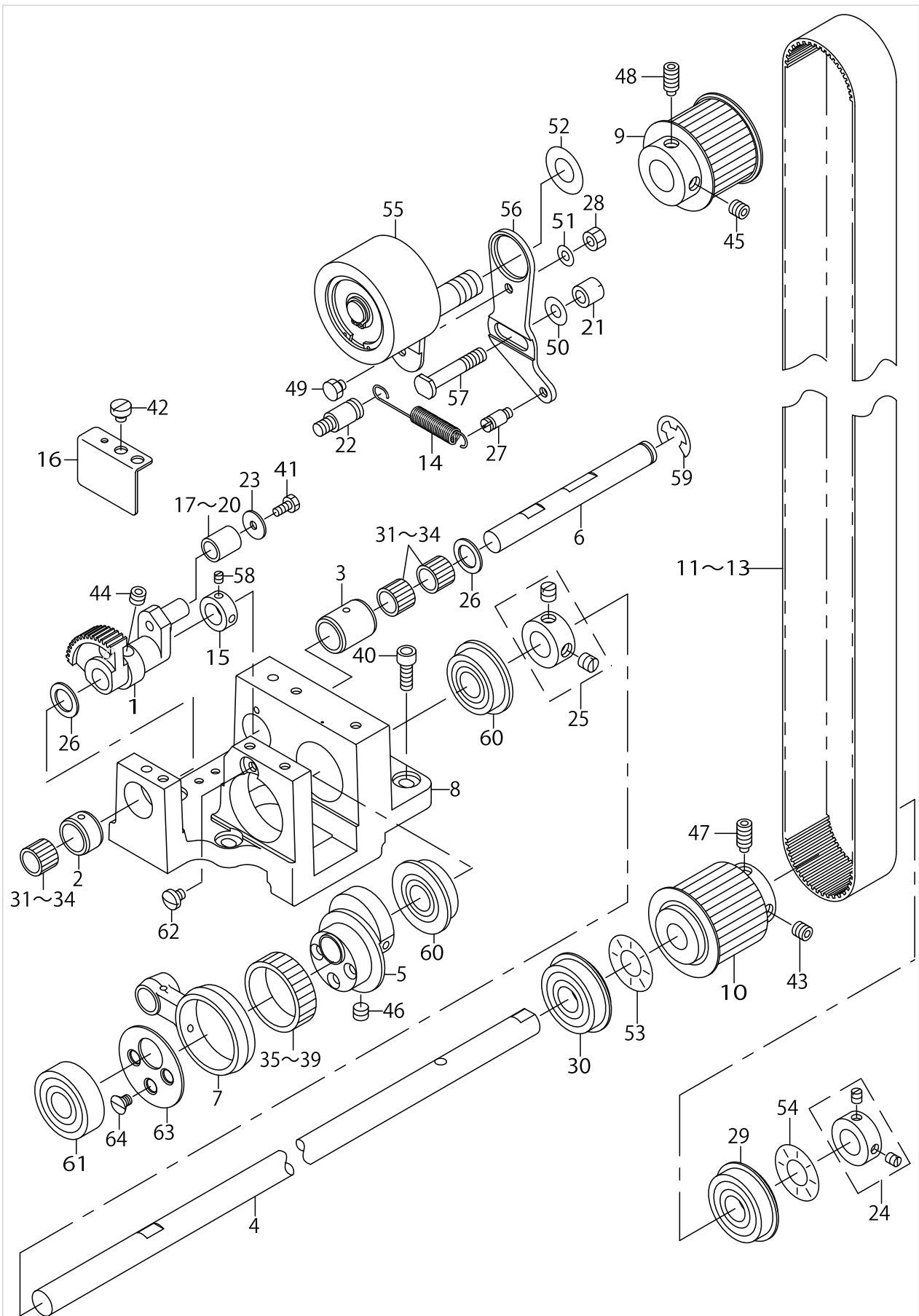
SHUTTLE DRIVER SHAFT COMPONENTS(2)



SHUTTLE DRIVER SHAFT COMPONENTS(2)

No.	Supply Code	Parts No.	Replacement	Parts name	Remarks	Choice	Step	Level	Cons	Qty	Rep. QTY
1	D	B1805223C00		OSCILLAOR						1	
2		B1832223C00		BEARING A						1	
3	D	B1833223C00		BEARING B						1	
4		B1834223C00		CAM DRIVER SHAFT						1	
5	D	B1835223C00		ECCENTRIC CAM						1	
6		B1836223C00		OSCILLAING SHAFT						1	
7		B1837223C00		CRANK LOD						1	
8		B1838223C00		GEAR BOX						1	
9		B1839223C00		SPROCKET						1	
10		B1844223C00		SPROCKET						1	
11		B1845223C0A		BELT A						1	
12		B1845223C0B		BELT B	SELECTIVE PART					1	
13		B1845223C0C		BELT C	SELECTIVE PART					1	
14		B2431215000		THREAD TRIMMER LINK SPRING						1	
15		B1848223C00		THRUST COLLAR						1	
16		B1849223C00		STOPPER						1	
17		B1430180A00		NEEDLE BEARING						1	
18		B1430180B00		NEEDLE BEARING	SELECTIVE PART					1	
19		B1430180C00		NEEDLE BEARING C	SELECTIVE PART					1	
20		B1430180D00		NEEDLE BEARING	SELECTIVE PART					1	
21		B1840223C00		NUT						1	
22	R	B2714761000	26212308	SPRING RACK						1	1.00
23		B3051816000		WASHER B						1	
24		CS120081ATN		THRUST COLLAR ASM. D=12 W=8						1	
25		CS1201010SH		THRUST COLLAR ASM. D=12 W=10						1	
26		B1637560000		WASHER						2	
27		MAT80116S00		SUSPENSION PIN						1	
28		NS6280610SP		NUT						1	
29		SB112000100		BEARING D=12X32						1	
30		SB112000700		BEARING						1	
31		SB31000080A		BEARING						3	
32		SB31000080B		BEARING	SELECTIVE PART					3	
33		SB31000080C		BEARING	SELECTIVE PART					3	
34		SB31000080D		BEARING	SELECTIVE PART					3	
35	D	B1426352A00		NEEDLE BEARING (A)						1	
36		B1426352B00		NEEDLE BEARING (B)	SELECTIVE PART					1	
37		B1426352C00		NEEDLE BEARING (C)	SELECTIVE PART					1	
38		B1426352D00		NEEDLE BEARING (D)	SELECTIVE PART					1	
39	D	B1426352E00		NEEDLE BEARING (E)	SELECTIVE PART					1	
40		SM6051402TP		SCREW M5X0.8 L=14						4	
41		SS9090833TP		SCREW						1	
42		SS6110480SP		SCREW 11/64-40 L=4.3						1	
43		SS8660612TP		SCREW 1/4-40 L=6						1	
44		SS8660512TP		SCREW 1/4-40 L=5						2	
45		SS8660612TP		SCREW 1/4-40 L=6						1	
46		SS8660512TP		SCREW 1/4-40 L=5						2	

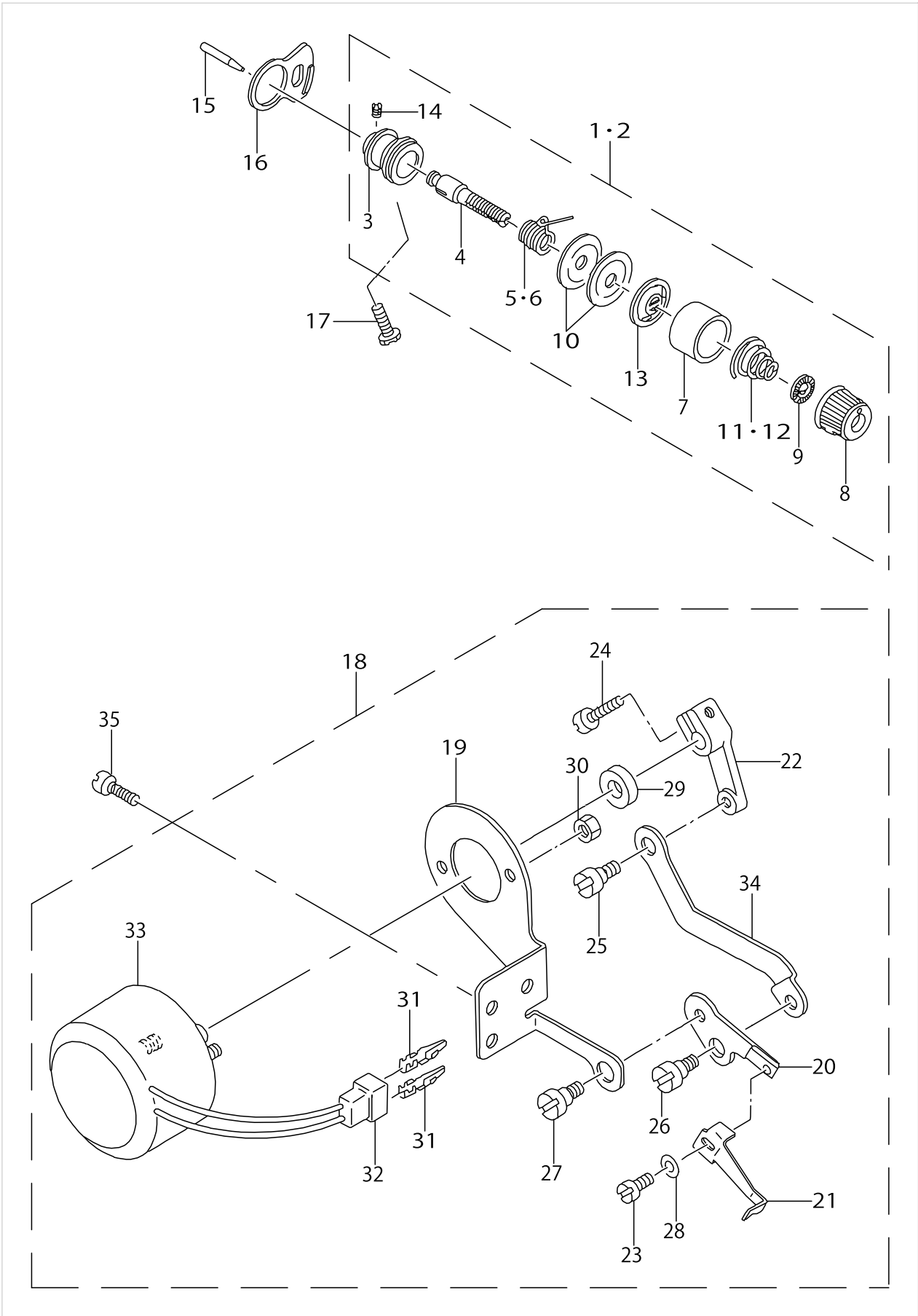
SHUTTLE DRIVER SHAFT COMPONENTS(2)



SHUTTLE DRIVER SHAFT COMPONENTS(2)

No.	Supply Code	Parts No.	Replacement	Parts name	Remarks	Choice	Step	Level	Cons	Qty	Rep. QTY
47		SS8661112TP		SCREW 1/4-40 L=11						1	
48		SS8661112TP		SCREW 1/4-40 L=11						1	
49		SS9110453TP		SCREW						1	
50		WP0621016SD		WASHER 6.2X13X1						1	
51		WP1221016SP		WASHER						1	
52		WP1252210SC		WASHER 12.5X25.6X2.2						1	
53		WZ1250300K0		WAVED WASHER 12.5X17X0.3						1	
54		WZ1250300K0		WAVED WASHER 12.5X17X0.3						1	
55		13710850		IDLER PULLEY ARM CONNEC.						1	
56	D	13710900		IDLER FIXED PLATE						1	
57	D	13711007		IDLER ADJUSTING SCREW						1	
58		SS8090410SP		SCREW 9/64-40 L=3.5						2	
59		RE0900000KP		SNAP RING 9						1	
60		SB112000700		BEARING						2	
61	R	SB112000300	SB1120003C0	BEARING						1	1.00
62		SS7110570SP		SCREW 11/64-40 L= 4.8						1	
63		B1850223C00		STOPPER						1	
64		SS1110640TP		SCREW 11/64-40 L= 5.5						3	

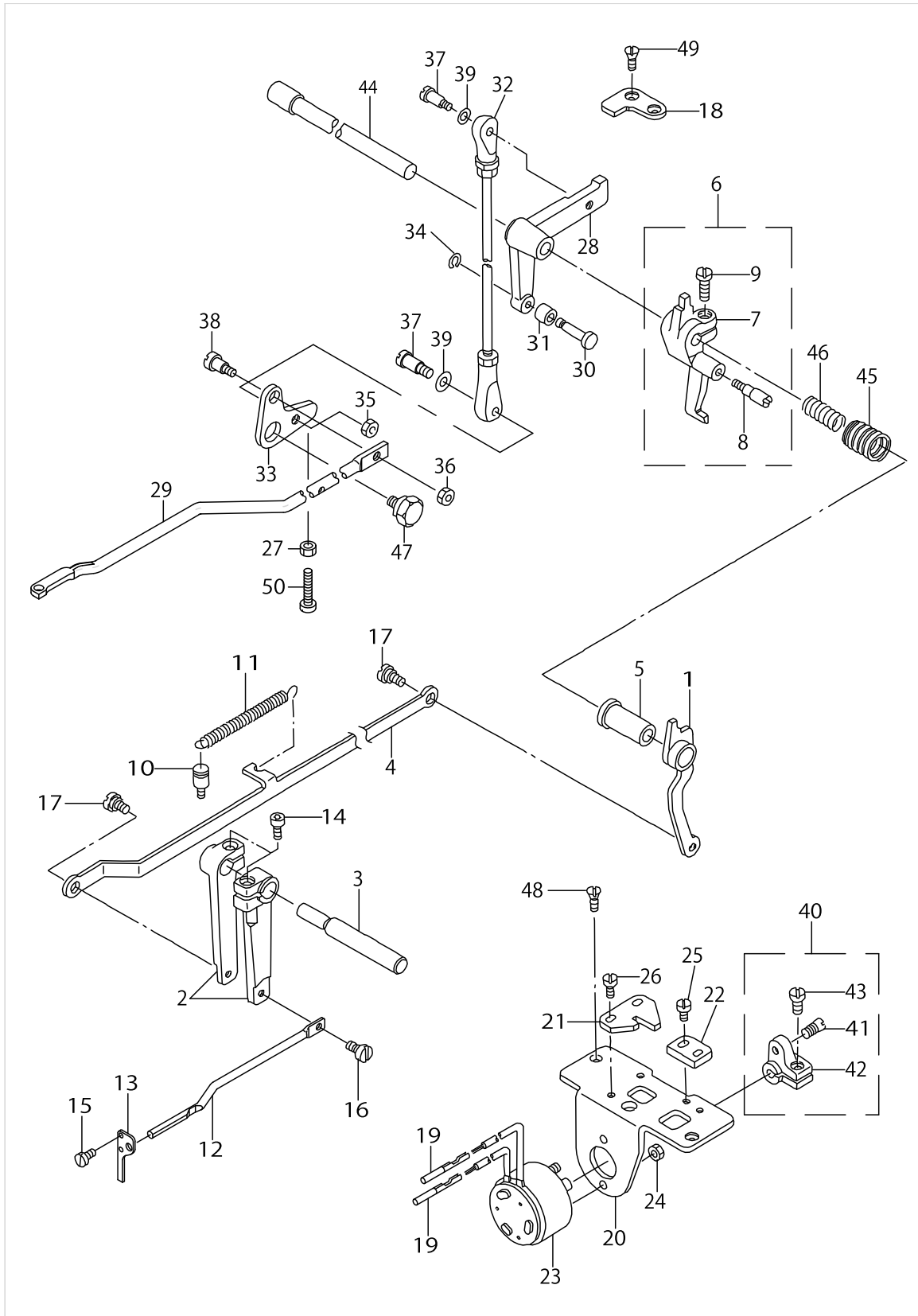
WIPER MECHANISM COMPONENTS



WIPER MECHANISM COMPONENTS

No.	Supply Code	Parts No.	Replacement	Parts name	Remarks	Choice	Step	Level	Cons	Qty	Rep. QTY
1		13817457		THREAD TENSION NO.2 CONNEC.	S TYPE					1	
2		B23022050AA		SECOND THREAD TENSION.	H & G TYPE					1	
3		B2313280000		THREAD TENSION ROD, LARGE				*		1	
4		B2302280000		SECOND THREAD TENSION ROD				*		1	
5		B3112761000		THREAD TAKE-UP SPRING	S TYPE			*		1	
6		D3112L4BB00		TAKE-UP SPRING (HEAVY)	H & G TYPE			*		1	
7		B3107804000		THREAD TENSION DISK PRESSER				*		1	
8		13817408		THREAD TENSION NUT				*		1	
9		B3120125000		ROTATING STOPPER				*		1	
10	R	B3126012000	22921506	THREAD TENSION DISK				*		2	1.00
11		B3114232000		THREAD TENSION SPRING	S TYPE			*		1	
12		B3129053000		TENSION SPRING	H & G TYPE			*		1	
13		B3132552000		THREAD TENSION DISK PRESSER				*		1	
14		SS8090610SP		SCREW 9/64-40 L=5.9				*		1	
15		B2303280000		TENSION RELEASE PIN						1	
16		B2702210000		GUIDE PLATE						1	
17		SS6151812TP		SCREW 15/64-28L=18						1	
18		B21012200A0		WIPER ASM.						1	
19		B2104220000		SOLENOID INSTALLING PLATE				*		1	
20		B2106220000		WIPER INSTALLING PLATE				*		1	
21		B2107210000		WIPER				*		1	
22	D	B2102205000		WIPER ARM.				*		1	
23		SS6090630TP		SCREW 9/64-40 L=6				*		1	
24		SS6621220SP		SCREW 3/16-32 L=12				*		1	
25		SD0600352SP		HINGE SCREW				*		1	
26		SD0640321SP		HINGE SCREW D= 6.35 H= 3.2				*		1	
27		SD0640321SP		HINGE SCREW D= 6.35 H= 3.2				*		1	
28		WP0371016SD		WASHER 3.7X8X1				*		1	
29		WP0561616SC		WASHER 5.6X16X1.6				*		1	
30		NM6040003SC		NUT M4				*		2	
31		HP000200200		PIN-SHAPE TERMINAL, MALE				*		2	
32		HK018800020		2-POLE PLUG				*		1	
33		B2101220000		WIPER SOLENOID				*		1	
34		B2103220000		WIPER CONNECTING PLATE				*		1	
35		SS7110840SP		SCREW 11/64-40 L=7.8						2	

TENSION RELEASE & TEREAD TRIMMER MECHANISM COMPONENTS

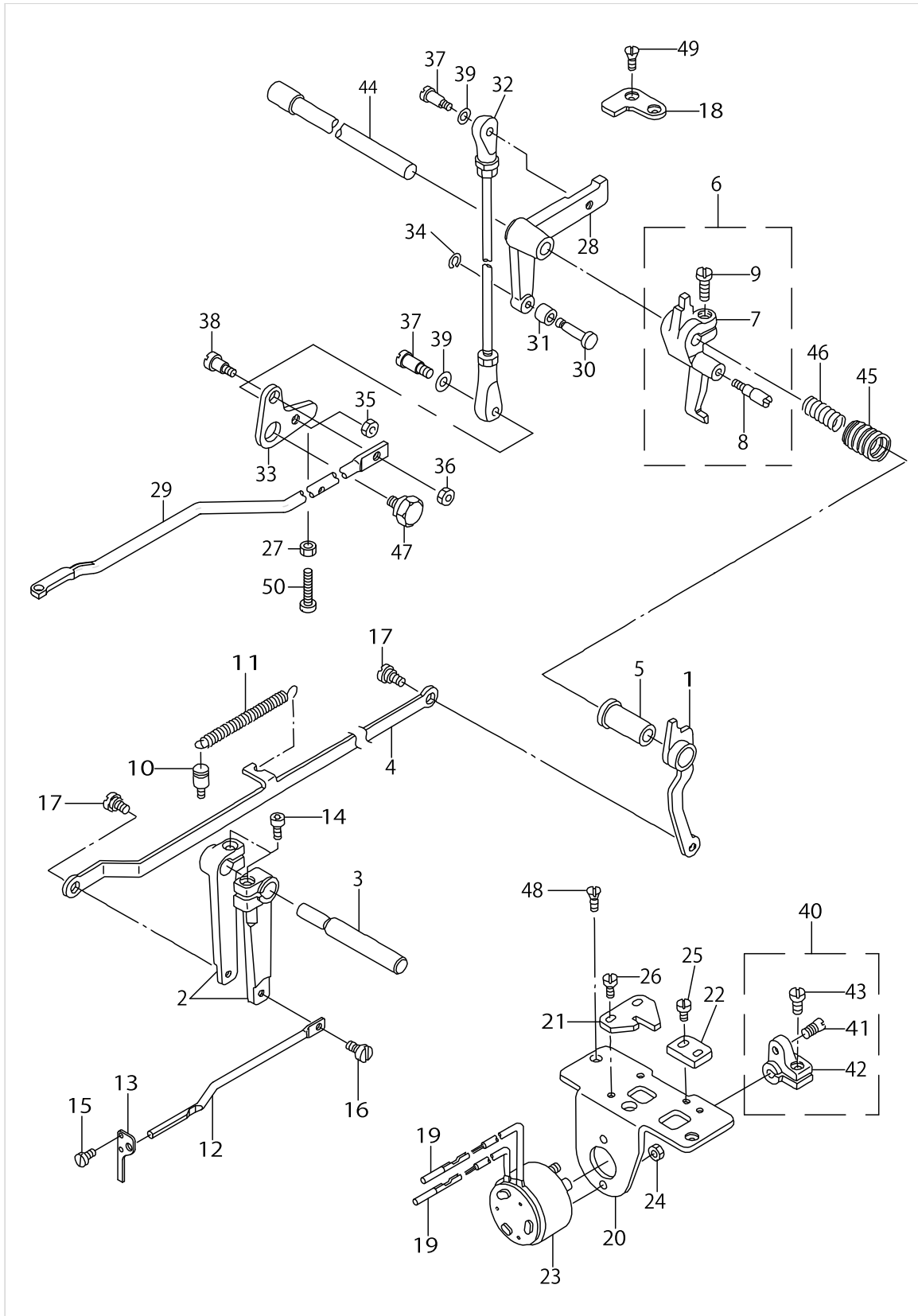


TENSION RELEASE & TEREAD TRIMMER MECHANISM COMPONENTS

No.	Supply Code	Parts No.	Replacement	Parts name	Remarks	Choice	Step	Level	Cons	Qty	Rep. QTY
1		B23042200A0		TENSION RELEASE ARM ASM.						1	
2	R	B2306220000	B23062200A0	TENSION ARM						2	1.00
3		B2307220000		TENSION ARM SHAFT						1	
4		B2308223C00		CONECTING PLATE						1	
5		B2305210000		BUSHING						1	
6		B23012100A0		TENSION RELEASE ARM ASM.						1	
7		B2301210000		TENSION RELEASE ARM				*		1	
8		B2302210000		TENSION RELEASE SHAFT				*		1	
9		SS6121220TP		SCREW 3/16-28 L=11.5				*		1	
10	R	B2714761000	26212308	SPRING RACK						1	1.00
11		B2727761000		TENSION SPRING						1	
12	D	13513205		TENSION RELEASE BAR						1	
13	R	13513304	26218404	THREAD TENSION ARM						1	1.00
14		SS6151712TP		SCREW 15/64-28 L=16.5						2	
15		SS7090620TP		SCREW 9/64-40 L=6.1						2	
16		SD0530221SP		HINGE SCREW D= 5.3 H= 2.2						1	
17		SD0640321SP		HINGE SCREW D= 6.35 H= 3.2						2	
18		B2412220000		STOPPER						1	
19		D6043555B00		PIN TERMINAL, MALE						2	
20		B2402220000		SOLENOID INSTALLING BASE						1	
21		B2310220000		TENSION RELEASE ARM PLATE						1	
22		B2311220000		Y MOTOR BASE STOPPER						1	
23		B2403223C00		SOLENOID						1	
24		NM6040003SC		NUT M4						2	
25		SS7110840SP		SCREW 11/64-40 L=7.8						2	
26		SS7110840SP		SCREW 11/64-40 L=7.8						2	
27		NS6150430SP		NUT 15/64-28						1	
28		B2404220000		CAM INSTALLING LINK						1	
29		B2413223C00		CONNECTING LOD						1	
30		B2405210000		SHAFT						1	
31		B2406210000		CAM ROLLER						1	
32		B2407223C00		CONNECTING LOD						1	
33		B2411210000		THREAD TRIMMER LINK						1	
34		D2430555B00		SNAP RING						1	
35		NS6110420SP		NUT 11/64-40						1	
36		NS6120630SP		NUT 3/16-28						1	
37		SD0500803TP		HINGESCREWD=5H=8						2	
38		SD0650305TP		HINGE SCREW D= 6.5 H= 3						1	
39		WP0501016SD		WASHER 5X10.5X1						2	
40		B24102200A0		SOLENOID ARM ASM.						1	
41		B2410220000		PIN				*		1	
42		B2409210000		SOLENOID ARM				*		1	
43		SS6121210SP		SCREW 3/16-28 L=12				*		1	
44		B2408210000		CAM SHAFT						1	
45		B2414210000		SPRING, LARGE						1	
46		B2415210000		SPRING, SMALL						1	



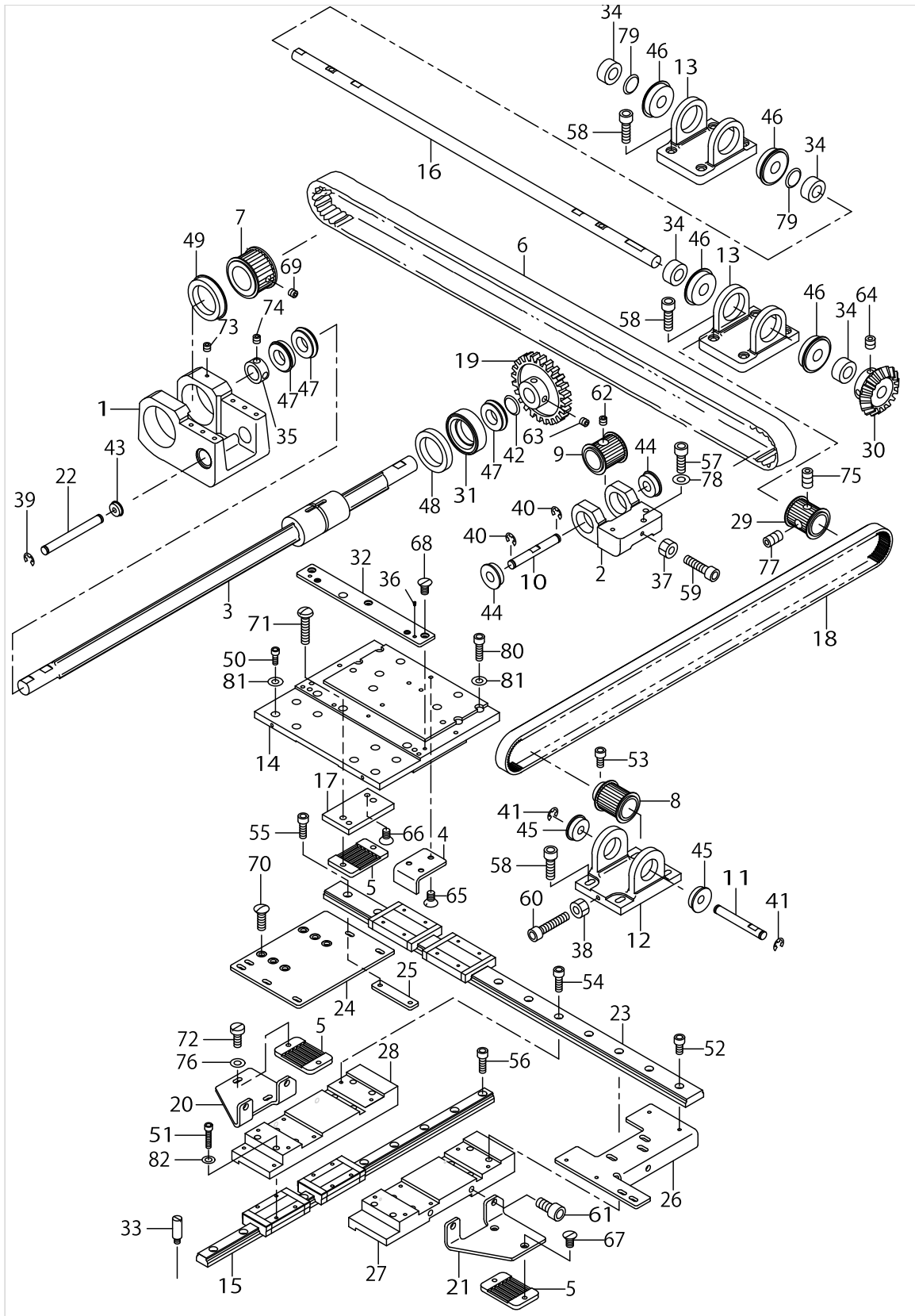
TENSION RELEASE & TEREAD TRIMMER MECHANISM COMPONENTS



TENSION RELEASE & TEREAD TRIMMER MECHANISM COMPONENTS

No.	Supply Code	Parts No.	Replacement	Parts name	Remarks	Choice	Step	Level	Cons	Qty	Rep. QTY
47		SD1100301TP		HINGE SCREW H=11 W=3						1	
48		SS2110920TP		SCREW 11/64-40 L=8.5						2	
49		SS2110920TP		SCREW 11/64-40 L=8.5						2	
50		SS6153040SP		SCREW15/64-28L=30						1	

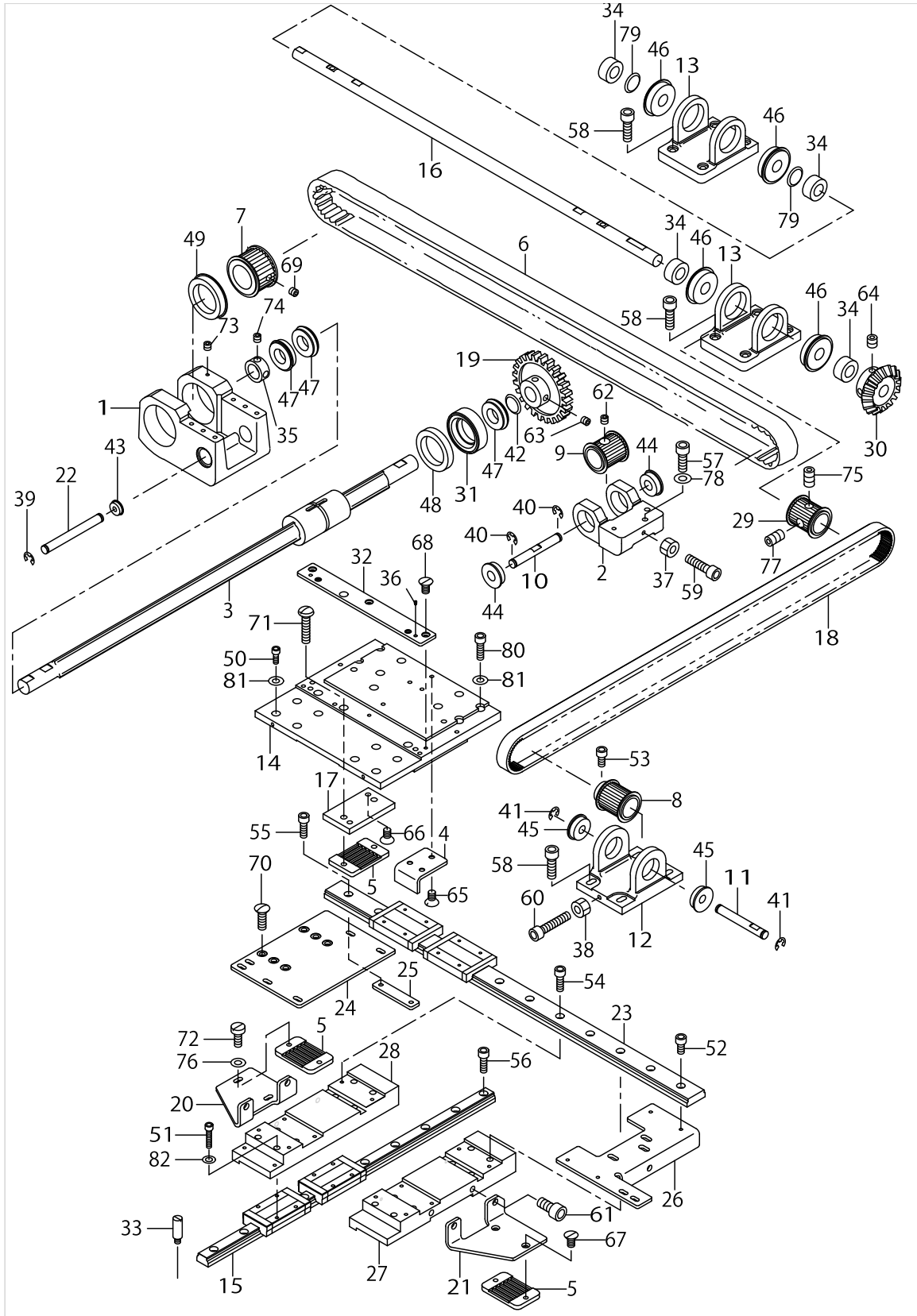
X-Y COMPONENTS (1)



X-Y COMPONENTS (1)

No.	Supply Code	Parts No.	Replacement	Parts name	Remarks	Choice	Step	Level	Cons	Qty	Rep. QTY
1		B2504223C00		X DRIVE BRACKET						1	
2		B2505223C00		X DRIVEN BRACKET						1	
3		B2506223C00		X DRIVE SPLINE SHAFT						1	
4		B2507223C00		X STOPPER						1	
5		B2509224000		BELT RECEIVER						3	
6		B2512223C00		X TIMMING BELT						1	
7		B2513223C00		X DRIVE SPROCKET						1	
8		B2513224000		SPROCKET WHEEL						2	
9		B2514223C00		X DRIVEN SPROCKET						1	
10		B2515223C00		X DRIVEN SHAFT						1	
11		B2515224000		X BRACKET SHAFT						2	
12		B2518223C0A		Y DRIVEN BRACKET						2	
13	D	B2518223C00		Y DRIVE BRACKET						2	
14	D	B2519223C00		X REMOVAL BASE						1	
15	D	B2520223C00		Y-LM GUIDE						2	
16		B2523223C00		Y DRIVE SHAFT						1	
17		B2527223C00		X BELT INSTALLING PLATE						1	
18		B2528223C00		Y TIMMING BELT						2	
19		B2534223C00		X DRIVEN WHEEL						1	
20		B2536223C0A		Y BELT INSTALLING PLATE,LEFT						1	
21		B2536223C00		Y BELT INSTALLING PLATE,RIGHT						1	
22		B2539223C00		X IDLER SHAFT						1	
23		B2540223C00		X-LM GUIDE						2	
24	D	B2541223C00		X DRIVE BRACKET BASE						1	
25		B2542223C00		NUT						2	
26		B2543223C00		X DRIVEN BRACKET BASE						1	
27		B2544223C00		Y REMOVAL BASE,RIGHT						1	
28		B2545223C00		Y REMOVAL BASE,LEFT						1	
29		B2547223C00		Y DRIVE SPROCKET						2	
30		B2548223C00		Y DRIVEN WHEEL						1	
31		B2549223C00		COLLAR						1	
32		B2555223C00		LOWER PLATE INSTALLING PLATE						1	
33		B4134814000		SUPPORT STUD						2	
34		CS1201010SH		THRUST COLLAR ASM. D=12 W=10						4	
35		CS1501011TH		THRUST COLLAR						2	
36		B151902600G		HINGE STUD						1	
37		NM6050001SP		NUT M5						1	
38		NM6050001SP		NUT M5						2	
39		RE0600000K0		E-RING 6						2	
40		RE0600000K0		E-RING 6						2	
41		RE0600000K0		E-RING 6						4	
42		WZ1590390KP		WASHER						1	
43		SB108000200		SIDE BEARING						2	
44		SB108000500		RADIAL BEARING						2	
45		SB108000500		RADIAL BEARING						4	
46		SB112000700		BEARING						4	

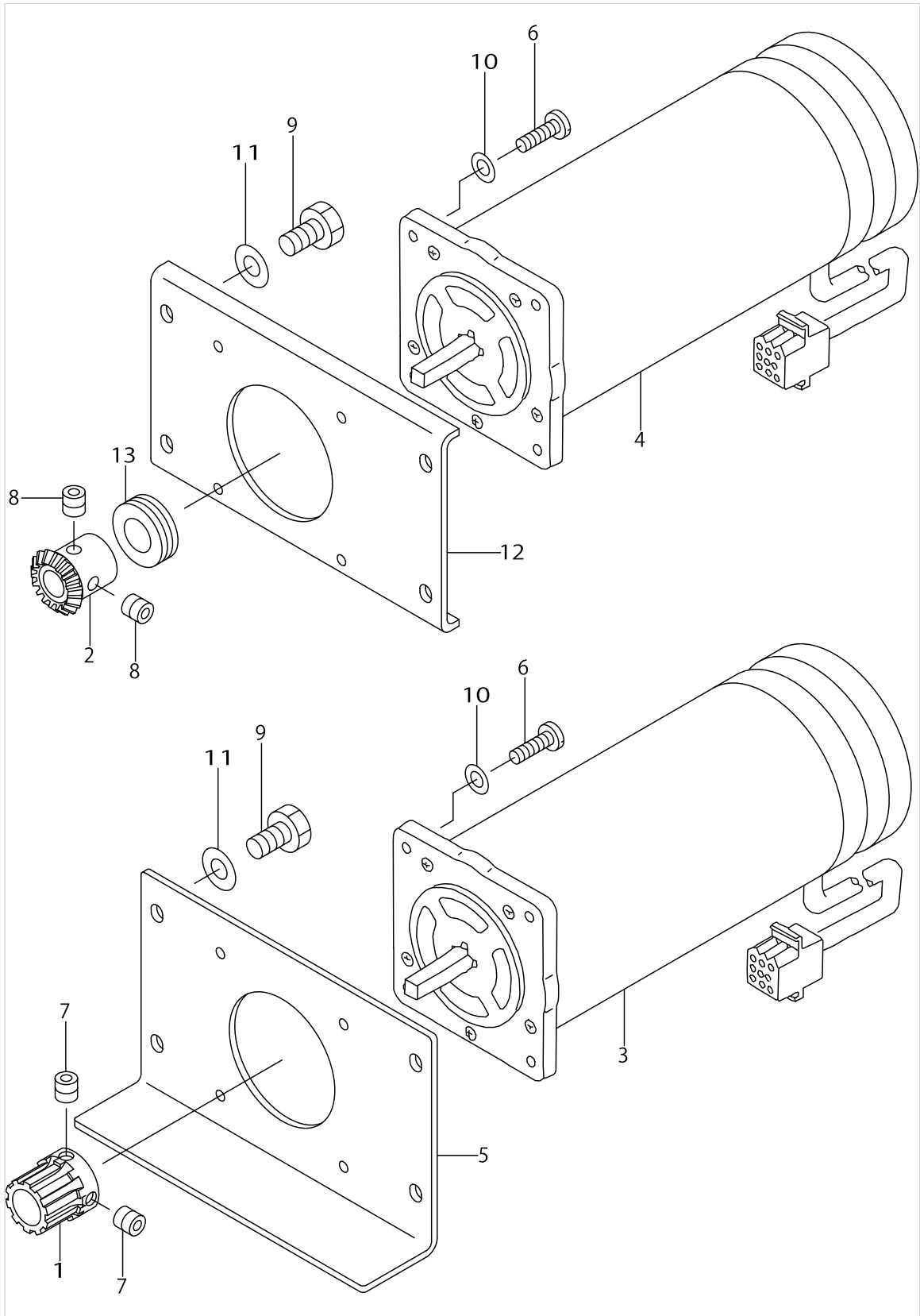
X-Y COMPONENTS (1)



X-Y COMPONENTS (1)

No.	Supply Code	Parts No.	Replacement	Parts name	Remarks	Choice	Step	Level	Cons	Qty	Rep. QTY
47		SB115000600		BALL BEARING						3	
48		SB130000200		BEARING						1	
49		SB130000300		BEARING						1	
50		SM6030602TP		SCREW M3X0.5 L=6						8	
51		SM6031402TP		SCREW						16	
52		SM6040802TP		SCREW M4X0.7 L=8						4	
53		SM6040802TP		SCREW M4X0.7 L=8						4	
54		SM6041202TP		SCREW M4X0.7 L=12						8	
55		SM6041202TP		SCREW M4X0.7 L=12						4	
56		SM6041202TP		SCREW M4X0.7 L=12						10	
57		SM6051402TP		SCREW M5X0.8 L=14						3	
58		SM6051602TP		SCREW M5X0.8 L=16						16	
59		SM6052002TP		SCREW M5 L=20						1	
60		SM6052502TP		SCREW M5X0.8 L=25						2	
61		SM6061202TP		SCREW M6 L=12						4	
62		SM8060602TP		SCREW M6X6						1	
63		SM8061002TP		SCREW M6 L=10						2	
64		SM8061002TP		SCREW M6 L=10						2	
65		SS1110840SP		SCREW 11/64-40 L=8						3	
66		SS1110840SP		SCREW 11/64-40 L=8						2	
67		SS2111010TP		SCREW 11/64-40 L=9.5						2	
68		SS1110840SP		SCREW 11/64-40 L=8						3	
69		SS8150432TH		SCREW 15/64-28 L=4						2	
70		SS2621540SP		SCREW 3/16-32 L=15						6	
71		SS4112215SP		SCREW 11/64-40 L=22						2	
72		SS6111140SP		SCREW 11/64-40 L=11						2	
73		SS8110422TP		SCREW 11/64-40 L=4						2	
74		SS8660530TP		SCREW 1/4-40 L= 4.5						4	
75		SS8660612TP		SCREW 1/4-40 L=6						2	
76		WP0450801SD		WASHER 4.5X10X0.8						2	
77		SS8661112TP		SCREW 1/4-40 L=11						2	
78		WP0550800SP		WASHER 5.5X10X0.8						3	
79		WZ1250300K0		WAVED WASHER 12.5X17X0.3						2	
80		SM6031002TP		HEXAGONAL BOLT M3 X 10						8	
81		WP0320501SD		WASHER						16	
82		WP0320500SD		M3 WASHER						16	

X-Y COMPONENTS (2)

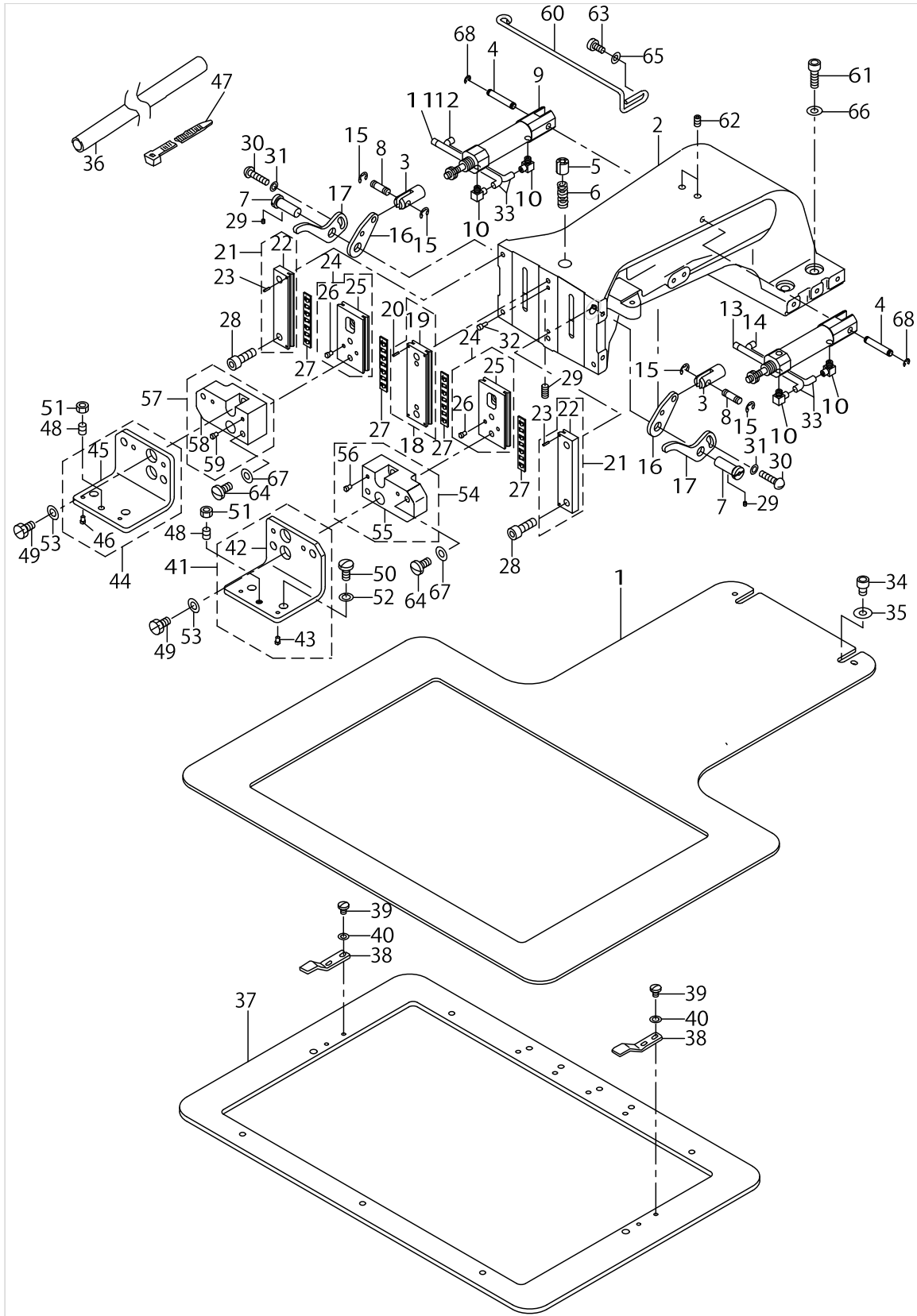


X-Y COMPONENTS (2)

No.	Supply Code	Parts No.	Replacement	Parts name	Remarks	Choice	Step	Level	Cons	Qty	Rep. QTY
1		B2525223C00		X DRIVE WHEEL						1	
2		B2526223C00		Y DRIVE WHEEL						1	
3		B2529223CAA		X FEED STEPPING MOTOR ASM.						1	
4		B2529223CA0		Y FEED STEPPING MOTOR ASM.						1	
5	D	B2531223C00		MOTOR BASE						1	
6		SM6051202TP		SCREW M5X0.8 L=12						8	
7		SM8060602TP		SCREW M6X6						2	
8		SM8060602TP		SCREW M6X6						2	
9		SS9151120CP		SCREW15/64-28L=11						8	
10		WP0531000SD		WASHER M5						8	
11		WP0621016SD		WASHER 6.2X13X1						8	
12	D	B2517223C00		Y MOTOR INSTALLING PLATE						1	
13		SB412000100		BEARING						1	



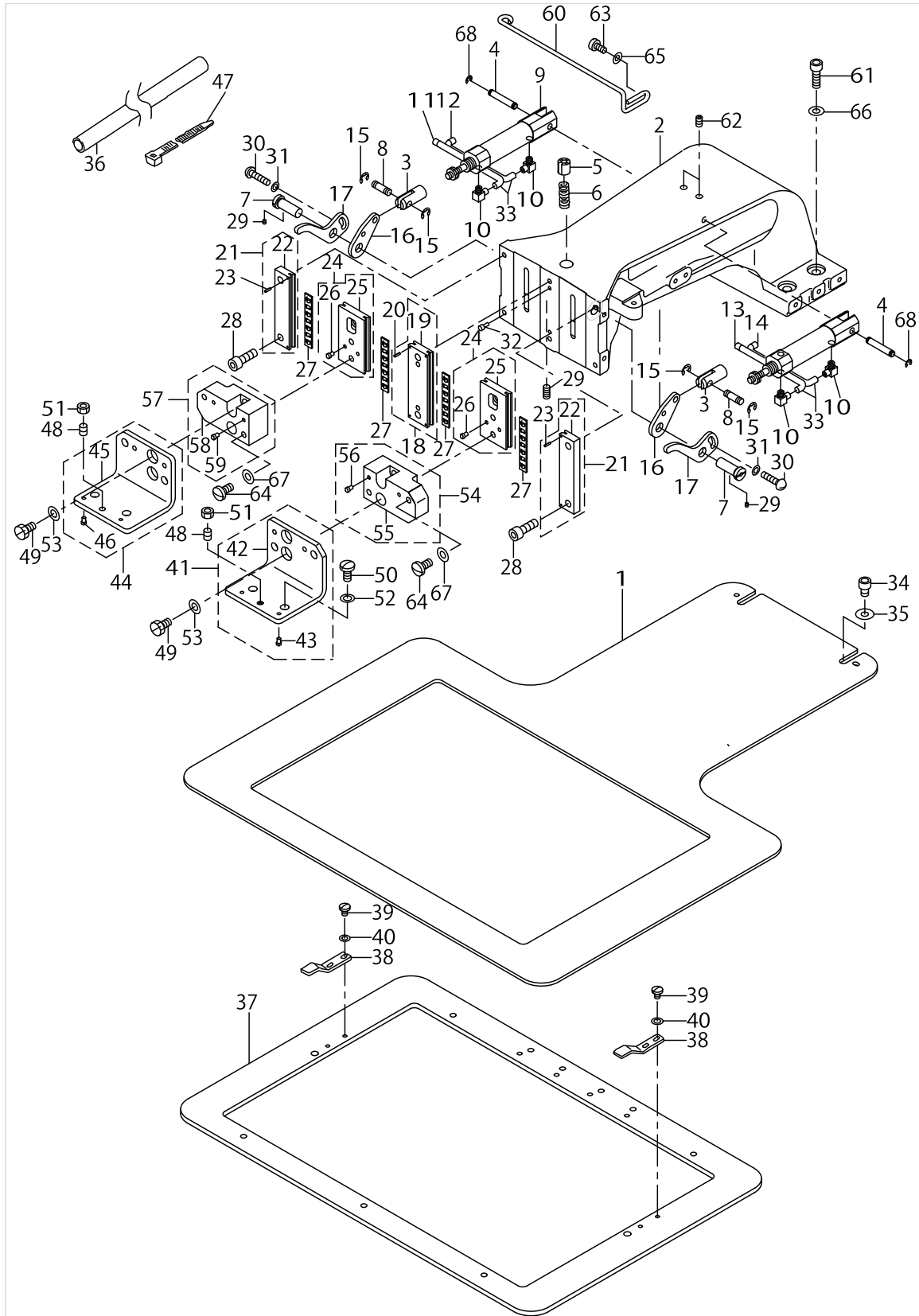
CLOTH FEED MECHANISM COMPONENTS



CLOTH FEED MECHANISM COMPONENTS

No.	Supply Code	Parts No.	Replacement	Parts name	Remarks	Choice	Step	Level	Cons	Qty	Rep. QTY
1	D	B2556223C00		FEED PLATE						1	
2		B2550223C00		CLOTH FEED BASE						1	
3		B1625220000		CYLINDER KNUCKLE						2	
4		B1504210000		CONNECTING SHAFT						2	
5		B2574220000		SLIDER						1	
6		B2576220000		SLIDER SPRING						1	
7	R	B2509372000A	26023408	FEED STUD						2	1.00
8		B1626220000		CYLINDER PIN						2	
9		PA1602509A0		AIR CYLINDER						2	
10		PJ046052503		HOSE ELBOW						4	
11		B471122000C		AIR TUBE LABEL J03 LEFT						1	
12		B471122000D		AIR TUBE LABEL J04 LEFT						2	
13		B471122000G		AIR TUBE LABEL J03 RIGHT						1	
14		B471122000H		AIR TUBE LABEL J04 RIGHT						2	
15		RE0300000K0		E-RING 3						4	
16		B2570215000		LIFTING LEVER A						2	
17		B2571215000		LIFTING LEVER B						2	
18		B2613223CA0		WORK CLAMP FOOT PLATE A ASM.						1	
19	R	B2613223C00	B2613223CA0	WORK CLAMP FOOT PLATE A				*		1	1.00
20		PS0150065KP		SPRING PIN 1.5X6				*		4	
21		B2567223CA0		WORK CLAMP FOOT PLATE B ASM.						2	
22	R	B2567223C00	B2567223CA0	WORK CLAMP FOOT PLATE B				*		1	1.00
23		PS0150065KP		SPRING PIN 1.5X6				*		2	
24	D	B2611223CA0		SLIDE PLATE ASM.						2	
25	R	B2611223C00	B2611223CA0	WORK CLAMP FOOT SLIDE PLATE				*		1	1.00
26		B1816280000		GUIDE PIN				*		2	
27		B2569229000		SLIDING PLATE BEARING						4	
28		SM6051402TP		SCREW M5X0.8 L=14						6	
29		SM8050602TP		SCREW M5 L=6						2	
30		SS7110710SP		SCREW 11/64-40 L=7						2	
31		WP0501016SD		WASHER 5X10.5X1						2	
32		B1816280000		GUIDE PIN						2	
33		BT0400251EB		URETHANE HOSE, BLACK						5	
34		SM6060802TP		SCREW M6 L=8						2	
35		WP0611626SP		WASHER 15X6X1.6						2	
36		HX00364000E		PARTS						.9	
37		B2553223C00		FEEDING FRAME						1	
38		B2558220000		PLASTIC BLANK PLATE						2	
39		SS7110510SP		SCREW 11/64-40 L=5						4	
40		WP0450801SD		WASHER 4.5X10X0.8						4	
41		B2604223CA0		RECEIVER PLATE,RIGHT ASM.						1	
42		B2604223C00		RECEIVER PLATE,RIGHT				*		1	
43		B1816280000		GUIDE PIN				*		2	
44		B2605223CA0		RECEIVER PLATE,LEFT ASM.						1	
45		B2605223C00		RECEIVER PLATE,LEFT				*		1	

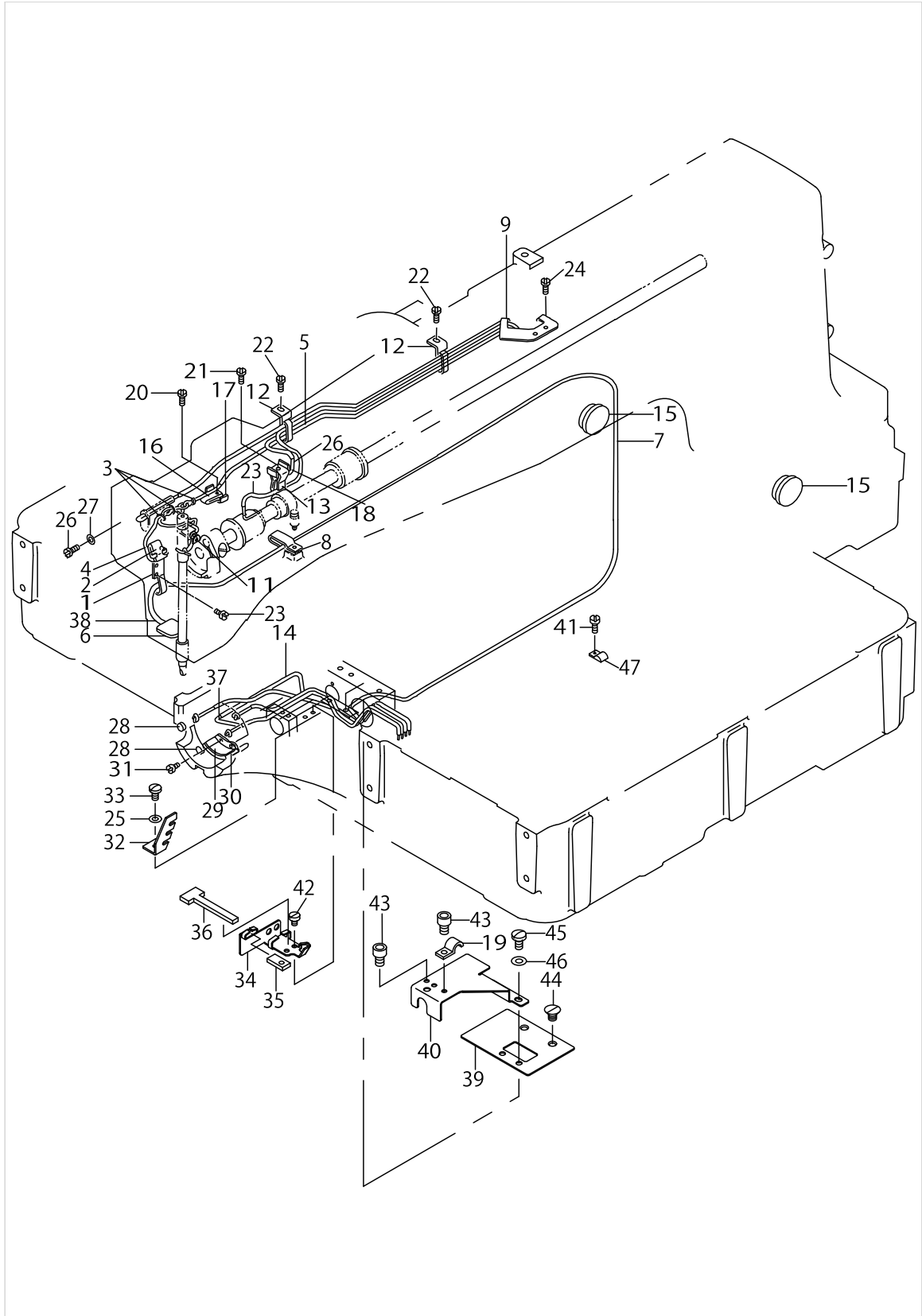
# CLOTH FEED MECHANISM COMPONENTS



CLOTH FEED MECHANISM COMPONENTS

No.	Supply Code	Parts No.	Replacement	Parts name	Remarks	Choice	Step	Level	Cons	Qty	Rep. QTY
46		B1816280000		GUIDE PIN				*		2	
47		HX002330000		CLIP						8	
48		SS8150822TP		SCREW 15/64-28 L=8						2	
49		SS9151120CP		SCREW15/64-28L=11						4	
50		SS7150910TP		SCREW 15/64-28 L=9						4	
51		NS6150330SD		NUT 15/64-28						2	
52		WP0651056SD		WASHER 6.5X11X1						4	
53		WP0621026SP		WASHER 6.2X9.5X1						4	
54		B2602223CA0		PRESSER FOOT MO- UNT,RIGHT ASM.						1	
55		B2602223C00		PRESSER FOOT MO- UNT,RIGHT ASM.				*		1	
56		B1816280000		GUIDE PIN				*		2	
57		B2603223CA0		PRESSER FOOT MO- UNT,LEFT ASM.						1	
58		B2603223C00		PRESSER FOOT MOUNT,LEFT				*		1	
59		B1816280000		GUIDE PIN				*		2	
60		B2568223C00		AIR TUBE SUPPORT						1	
61		SM6061802TP		SCREW M6 L=18						4	
62		SM8050812TP		SCREW M5X8						2	
63		SS6121010SP		SCREW 3/16-28 L=10						2	
64		SS7151210SP		SCREW15/64-28L=12						4	
65		WP0501016SD		WASHER 5X10.5X1						2	
66		WP0621016SD		WASHER 6.2X13X1						4	
67		WP0621026SP		WASHER 6.2X9.5X1						4	
68		RE0320000K0		E-RING 3.2						2	

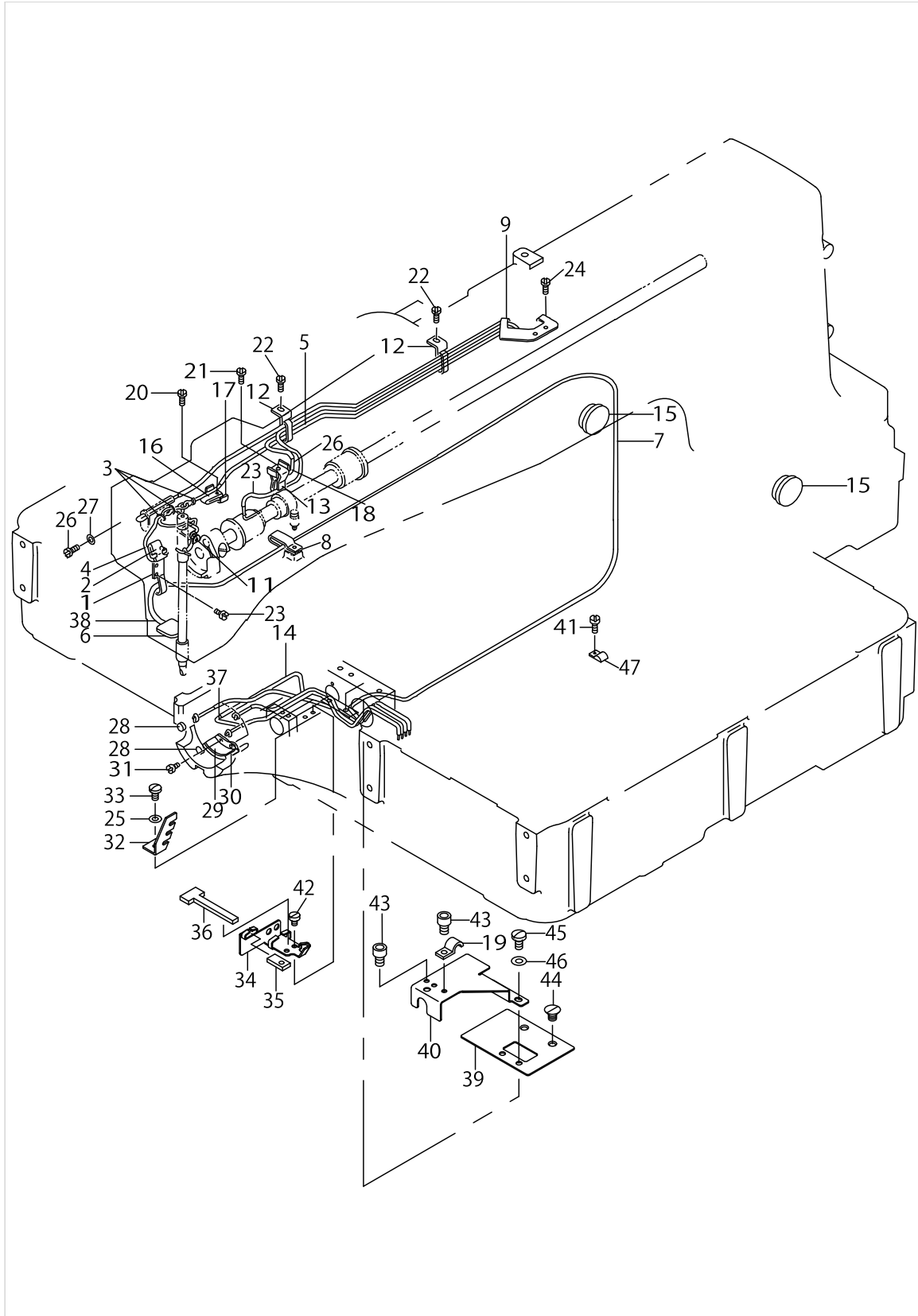
LUBRICATION COMPONENTS



LUBRICATION COMPONENTS

No.	Supply Code	Parts No.	Replacement	Parts name	Remarks	Choice	Step	Level	Cons	Qty	Rep. QTY
1	D	B3502220000		OIL WICK HOLDER						1	
2		B3509220000		OIL SPONGE						1	
3	R	B1419026000	26230706	OIL WICK PRESSER						3	1.00
4		CQ202000000		OIL WICK						1.1	
5		BP300000000		VINYL PIPE						.4	
6		B3507280000		OIL FELT						1	
7		BP600000000		VINYL PIPE						1.3	
8		D2112555B00		CORD HOLDER, LARGE						1	
9	D	B3504220000		OIL WICK HOLDER A						1	
10		CQ252200000		OIL WICK						.4	
11		B3507220000		OIL WICK HOLDER						1	
12		B3508220000		OIL TUBE HOLDER						2	
13	D	B3520220000		OIL SPONGE						1	
14		BP500000000		VINYL PIPE						.2	
15		B3501210000		OIL GAUGE						2	
16	D	B3518210000		OIL SPONGE						1	
17	R	B3508280000	26231407	BALANCE LUBRICATING PLATE						1	1.00
18	R	B3508280000	26231407	BALANCE LUBRICATING PLATE						1	1.00
19		B3538112000		OIL RETURN TUBE HOLDER						1	
20		SS6092120SP		SCREW 9/64-40 L=21.2						1	
21		SS6092120SP		SCREW 9/64-40 L=21.2						1	
22		SS7110710SP		SCREW 11/64-40 L=7						2	
23		SS7110710SP		SCREW 11/64-40 L=7						2	
24		SS7110710SP		SCREW 11/64-40 L=7						2	
25		WP0450801SD		WASHER 4.5X10X0.8						1	
26		SS7110710SP		SCREW 11/64-40 L=7						1	
27		WP0450000SD		WASHER 4.5X8X0.5						1	
28		13529607		SHUTTLE PACKING						2	
29	R	B3505280000	26231100	SHUTTLE LUBRICATING PLATE						1	1.00
30		B3504280000		SHUTTLE FELT						1	
31		SS6090440SP		SCREW 9/64-40 L=4.0						2	
32		B3524215000		LUBRICATING ADJUSTING PLATE						1	
33		SM6040802TP		SCREW M4X0.7 L=8						1	
34		B3531223C00		LOWER SHAFT LUB- RICATING PLATE						1	
35	D	B3518210000		OIL SPONGE						1	
36	D	B3527223C00		FELT						1	
37	D	B3522223C00		FELT						1	
38	D	B3523223C00		FELT						1	
39		B3528223C00		OIL BAR PLATE A						1	
40		B3530223C00		OIL BAR PLATE B						1	
41		SM6040602TP		SCREW M4 L=6						3	
42		SS6090520SP		SCREW 9/64-40 L=5.0						2	
43		SM6040602TP		SCREW M4 L=6						2	
44		SS1110640TP		SCREW 11/64-40 L= 5.5						2	
45		SS7110840SP		SCREW 11/64-40 L=7.8						2	
46		WP0550800SP		WASHER 5.5X10X0.8						2	

LUBRICATION COMPONENTS

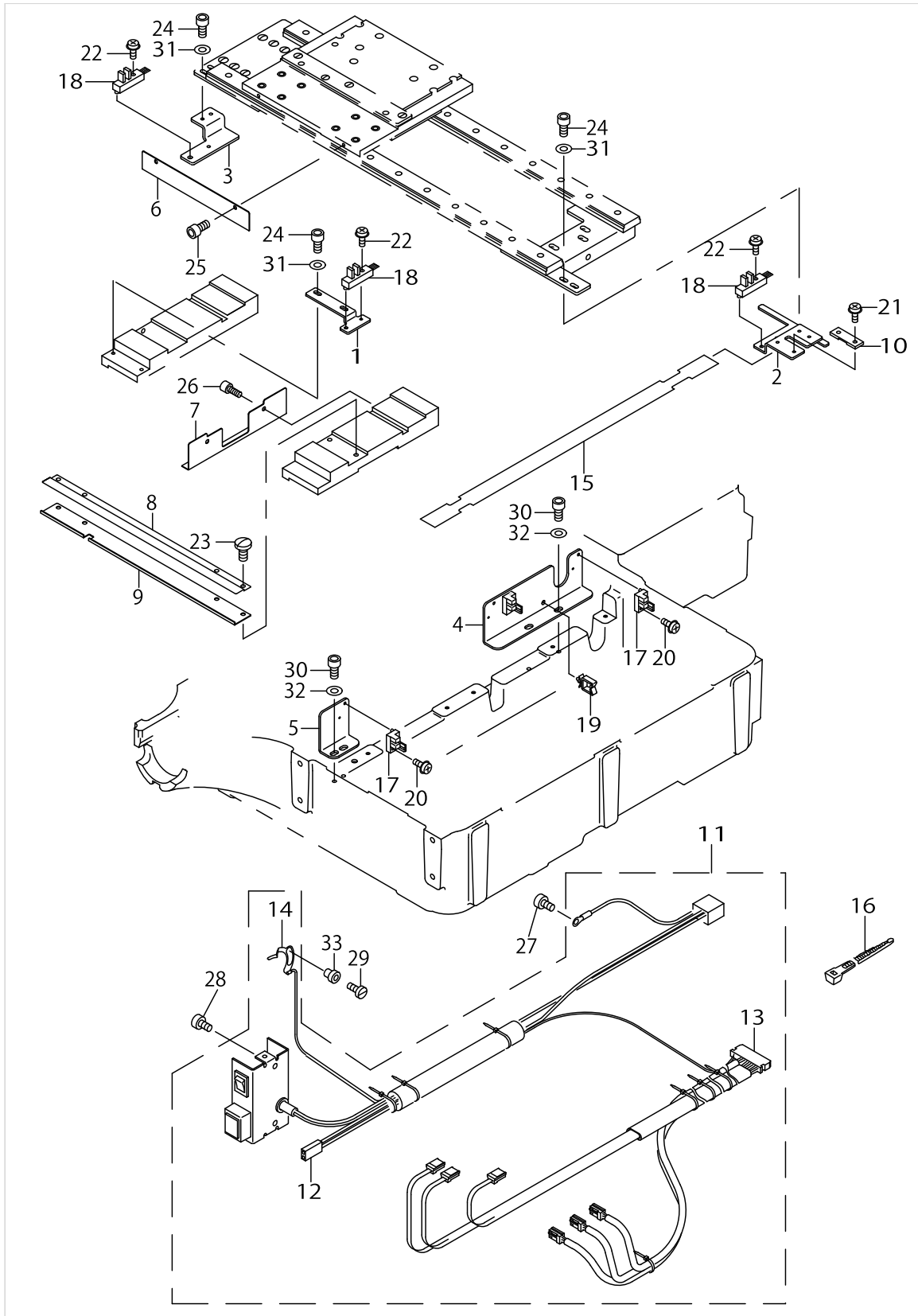


LUBRICATION COMPONENTS

No.	Supply Code	Parts No.	Replacement	Parts name	Remarks	Choice	Step	Level	Cons	Qty	Rep. QTY
47		EA9502B0200		CABLE CLIP C						3	



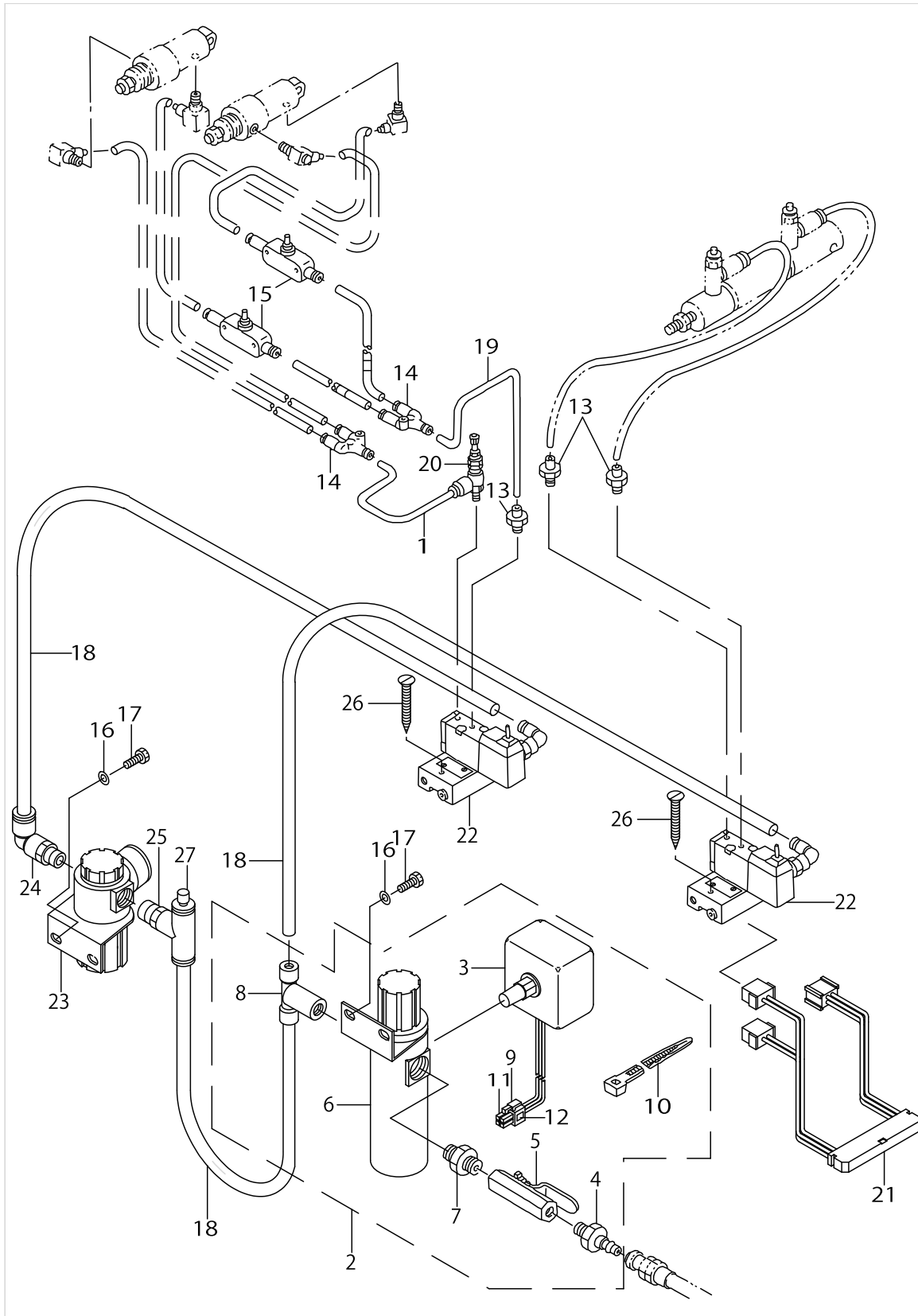
SENSOR COMPONENTS



SENSOR COMPONENTS

No.	Supply Code	Parts No.	Replacement	Parts name	Remarks	Choice	Step	Level	Cons	Qty	Rep. QTY
1	D	B4002223C00		X SENSOR INSTALLING PLATE B						1	
2		B4003223C00		X SENSOR INSTALLING PLATE C						1	
3		B4004223C00		X SENSOR INSTALLING PLATE A						1	
4		B4005223C00		Y SENSOR INSTALLING PLATE B						1	
5		B4006223C00		Y SENSOR INSTALLING PLATE A						1	
6	D	B4007223C00		X SLIT PLATE						1	
7		B4008223C00		Y SLIT PLATE						1	
8		B4020223C00		X SENSOR CORD COVER A						1	
9		B4021223C00		X SENSOR CORD COVER B						1	
10		B4022223C00		FLAT CABLE CLAMP						4	
11		B4110223CB0		FRAME SWITCH CABLE ASM.						1	
12	R	B4110223CA0	B4110223CB0	FRAME SWITCH CABLE ASM.				*		1	1.00
13	D	B4130223CA0		FRAME SENSOR CORD ASM.				*		1	
14	D	B4150223CA0		THREAD CUTTING PLATE ASM.				*		1	
15		B4120223C00		FLAT CABLE COVER						2	
16		EA9500B0100		CABLE BAND						3	
17		HD000570000		SENSOR						3	
18	R	HD001350000	HD002230000	SENSOR						3	1.00
19		HX004110000		CABLE PARTS						1	
20		SL4031081SF		SCREW M3 L=10						3	
21		SL4040881SC		SCREW M4 L=8						8	
22		SL4041281SF		SCREW M4 L=12						3	
23		SM7040800SC		SCREW M4X0.7 L=8						4	
24		SM6040802TP		SCREW M4X0.7 L=8						6	
25		SM6040802TP		SCREW M4X0.7 L=8						2	
26		SM6040802TP		SCREW M4X0.7 L=8						2	
27		SS4110815SP		SCREW 11/64-40 L=8						1	
28		SS4110815SP		SCREW 11/64-40 L=8						2	
29		SS7090850SP		SCREW 9/64-40 L=8						1	
30		SM6040802TP		SCREW M4X0.7 L=8						4	
31		WP0450801SD		WASHER 4.5X10X0.8						6	
32		WP0450801SD		WASHER 4.5X10X0.8						4	
33		B2703210000		BUSHING						1	

PNEUMATIC COMPONENTS



PNEUMATIC COMPONENTS

No.	Supply Code	Parts No.	Replacement	Parts name	Remarks	Choice	Step	Level	Cons	Qty	Rep. QTY
1		BT0400251EB		URETHANE HOSE, BLACK						.06	
2		B4715223CA0		FILTER REGULATOR ASM.						1	
3	R	G8124270000	G85048750A0	AIRPRESSUESWITCH		A	AVP-875	*		1	1.00
3	R	G8124270000	40030951	AIRPRESSUESWITCH		B	AMS-210E- N,AMS-221EN	*		1	1.00
3	R	G8124270000	B47152150A0	AIRPRESSUESWITCH		C	MEB-3200,- LK-1910/2- 0/30/41,AMS-224E	*		1	1.00
4		PJ309005203		QUICK JOINT PLUG				*		1	
5	R	G5430116000	40030951	AIR COCK				*		1	1.00
6		PF0552040B0		FILTER REGULATOR				*		1	
7		PJ030520001		RING JOINT (NIPPLE)				*		1	
8		PJ305065202		TEE				*		1	
9		HK034610040		HOUSING				*		1	
10		EA9500B0100		CABLE BAND				*		5	
11		HK034640000		PIN CONTACT				*		3	
12	D	E2678453000		CONNECTOR MARKER J78				*		1	
13		PJ032052503		HOSE NIPPLE						3	
14		PJ308040002		QUICK COUPLING						2	
15		PC012401000		SPEED CONTROLLER						2	
16		WP0531000SC		WASHER 5.3X10X1						4	
17		SM9051450SC		SCREW M5X0.8 L=14						4	
18		BT0600401EB		TUBE						.35	
19		BT0400251EB		URETHANE HOSE, BLACK						.06	
20		PF070501000		PRESSURE DECREASING VALVE						1	
21	D	B47162150A0		SOLENOID VALVE CORD ASM.						1	
22		B4717223C00		SOLENOID VALVE						2	
23		PF025208000		REGULATOR						1	
24		PJ304045203		ELBOW UNION						1	
25		PJ305065202		TEE						1	
26		SL4042581SF		SCREW M4 L=25						4	
27		PX950009000		PLUG						1	

TABLE COMPONENTS

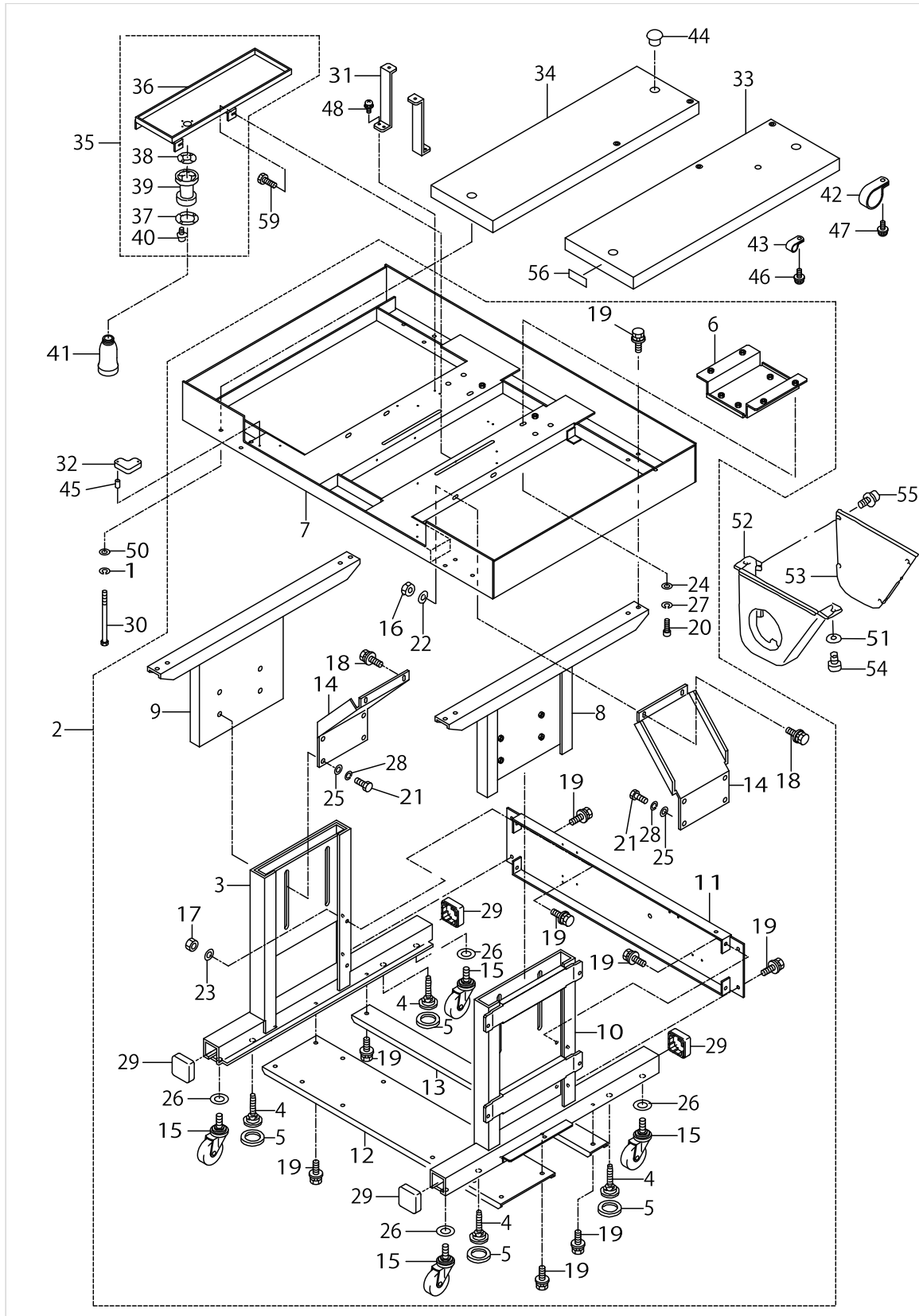


TABLE COMPONENTS

No.	Supply Code	Parts No.	Replacement	Parts name	Remarks	Choice	Step	Level	Cons	Qty	Rep. QTY
1		WS0861410KR		SPRING WASHER 8.6X15X1.4							4
2		B8301223CA0		STAND ASM.							1
3		B8102215A00		STAND LOWER LEFT				*			1
4		B8108220000		ADJUSTING BOLT				*			4
5		B8109220000		RUBBER CAP				*			4
6		B8116223C00		MOTOR SLIDE PLATE				*			1
7		B8301223C00		UPPER STAND				*			1
8		B8302223C00		UPPER STAND STRUT,RIGHT				*			1
9		B8303223C00		UPPER STAND STRUT,LEFT				*			1
10		B8304223C00		LOWERSTAND,RIGHT				*			1
11		B8306223C00		SIDE STRUT				*			1
12		B8307220000		LOWER STRUT A				*			1
13		B8308220000		LOWER STRUT B				*			1
14		B8309223C00		STAND STAY				*			2
15		G5032164000		CASTER				*			4
16		NM6080001SC		NUT M8X1.25				*			4
17		NM6080001SC		NUT M8X1.25				*			2
18		SL9082093SE		SCREW				*			4
19		SL9082093SE		SCREW				*			22
20		SM6082502TM		SCREW M8 L=25				*			4
21	D	SM9122503SE		SCREW M12 L=25				*			8
22		WP0841601SC		WASHER 8.4X17.4X1.6				*			4
23		WP0841601SC		WASHER 8.4X17.4X1.6				*			2
24		WP0871602SE		WASHER 8.7X18X1.6				*			4
25		WP1302501SC		WASHER 13X24X2.5				*			8
26	D	WP1702616SE		WASHER				*			4
27		WS0861410KR		SPRING WASHER 8.6X15X1.4				*			4
28		WS1253010KN		SPRING WASHER 12.5X21.5X3				*			8
29		20243200		STAND CAP, W				*			4
30		B8117223C00		BOLT							4
31		B8118223C00		COVER INSTALLING STAY							2
32		B8171223C00		RUBBER ABSORBER							4
33		B8201223C0A		TABLE,RIGHT							1
34		B8201223C0B		TABLE,LEFT							1
35	D	B8110223CA0		OIL PAN ASM.							1
36		B8110223C00		OIL PAN				*			1
37		B8111220000		WASHER				*			1
38		B8112220000		OIL SEAL				*			1
39		B8202205000		OIL MANAGEMENT				*			1
40		SL4031481SC		SCREW M3 X 14				*			4
41		B9121012000		OIL CAN							1
42		EA9502B0100		CLIP							1
43		EA9502B0400		CABLE CLIP E							1
44		HX00326000B		BUSH							2
45		PS0400141KH		SPRING PIN 4X14							8
46		SL4040891SC		SCREW M4 L=8							1

TABLE COMPONENTS

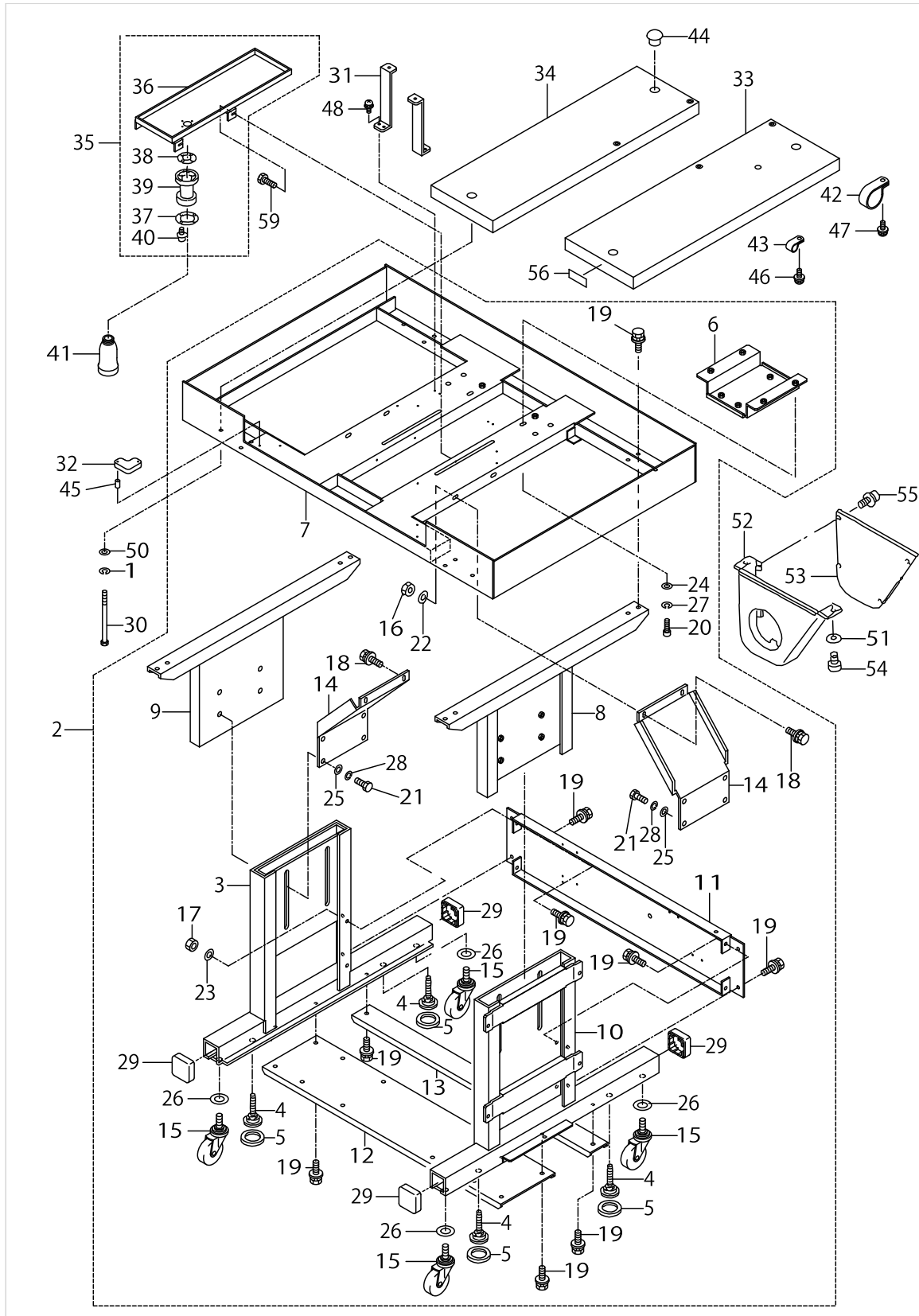
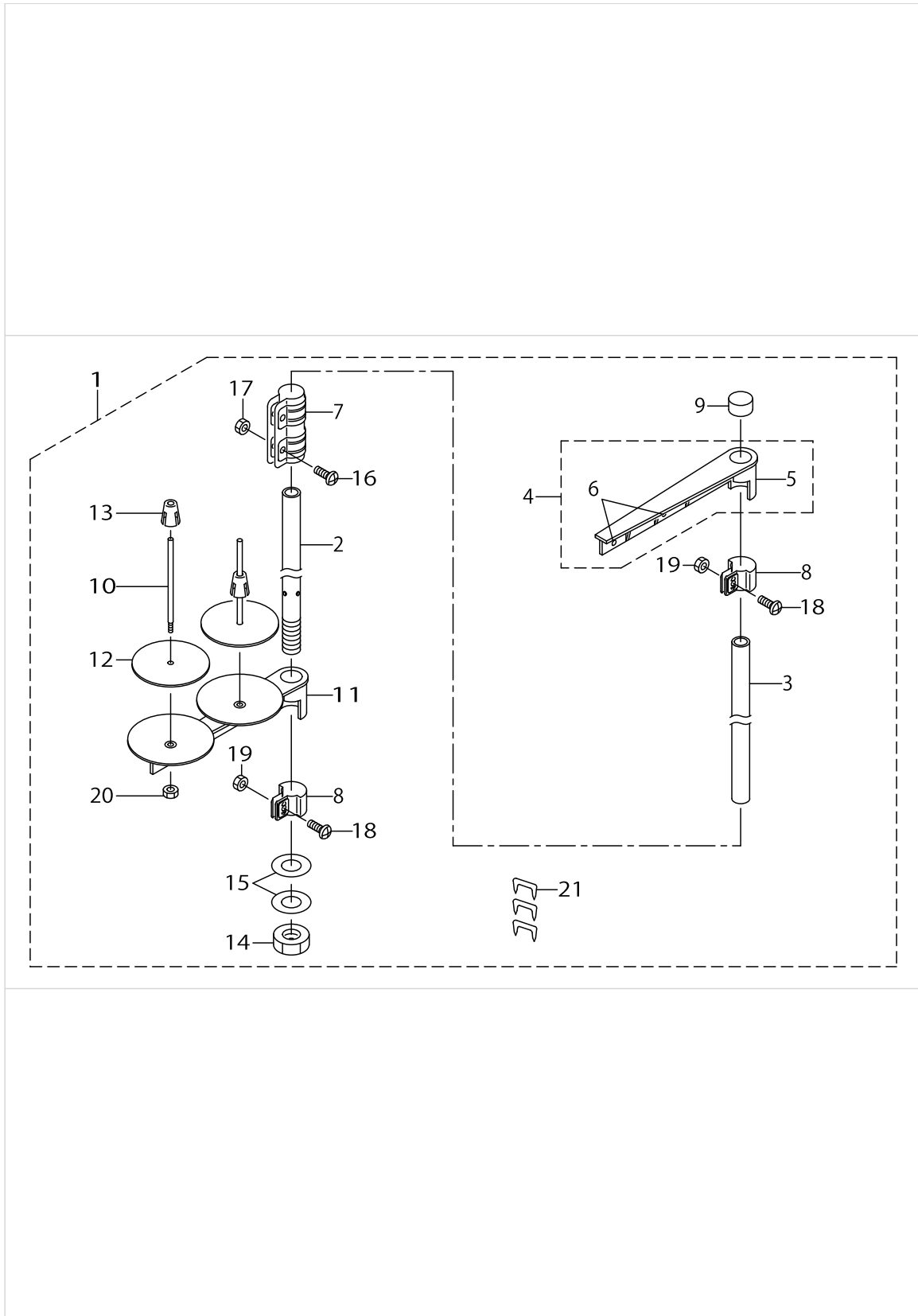


TABLE COMPONENTS

No.	Supply Code	Parts No.	Replacement	Parts name	Remarks	Choice	Step	Level	Cons	Qty	Rep. QTY
47		SL4040891SC		SCREW M4 L=8						1	
48		SL4041091SC		SCREW M4 L=10						4	
49		SM9041250SC		SCREW M4X0.7 L=12						4	
50		WP0871602SE		WASHER 8.7X18X1.6						4	
51		WP0561616SC		WASHER 5.6X16X1.6	FOR EXPORT					2	
52		B821021000B		MOTOR PULLEY COVER (A)	FOR EXPORT					1	
53		B821121000B		MOTOR PULLEY COVER (B)	FOR EXPORT					1	
54		SL4051241SE		SCREW	FOR EXPORT					2	
55		SL4040691SC		SCREW M4 L=6	FOR EXPORT					6	
56		CM500100001		CE MARKING LABEL	FOR JE					1	



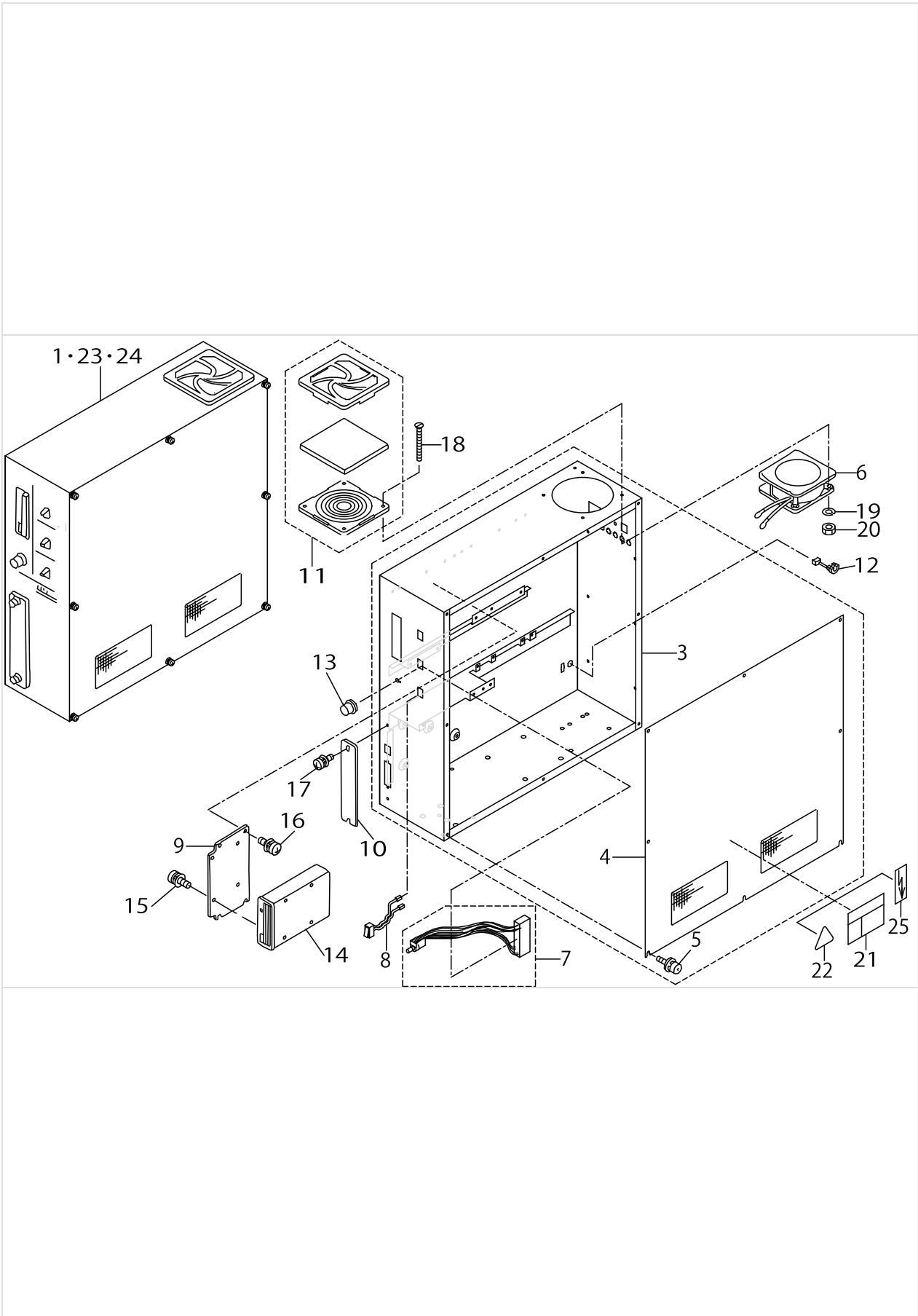
THREAD STAND COMPONENTS



THREAD STAND COMPONENTS

No.	Supply Code	Parts No.	Replacement	Parts name	Remarks	Choice	Step	Level	Cons	Qty	Rep. QTY
1	R	11185055	40096354	THREAD STAND ASM.						1	1.00
2	R	11185105	40096354	SPOOL REST ROD,LOWER				*		1	1.00
3	R	11185204	40096354	SPOOL REST ROD,UPPER				*		1	1.00
4	R	11185352	40096354	THREAD GUIDE ASM.				*		1	1.00
5		11185303		THREAD GUIDE				*		1	
6	R	B3319704L00	22931208	THREAD GUIDE				*		2	1.00
7	R	B3305704000A	40096354	SPOOL REST ROD JOINT				*		1	1.00
8	R	11185402	40096354	THREAD GUIDE ARM JOINT				*		2	1.00
9	R	B3311704000	22931406	SPOOL REST ROD CAP				*		1	1.00
10	R	B3320704L00A	40085790	SPOOL PIN				*		2	1.00
11	D	11185006		SPOOL REST ARM				*		1	
12	D	B3311012000		SPOOL REST CUSHION				*		2	
13	D	11185501		SPOOL RETAINER				*		2	
14	R	B3317704000	NM6160511SE	NUT				*		1	1.00
15		WP1612616SE		WASHER 16X30X2.6				*		2	
16		SM4051405SE		SCREW M5 L=14				*		2	
17		NM6050001SE		NUT M5				*		2	
18		SM4051405SE		SCREW M5 L=14				*		2	
19		NM6050001SE		NUT M5				*		2	
20		NM6050001SE		NUT M5				*		2	
21		MAO11532000		CORD STAPLE				*		3	

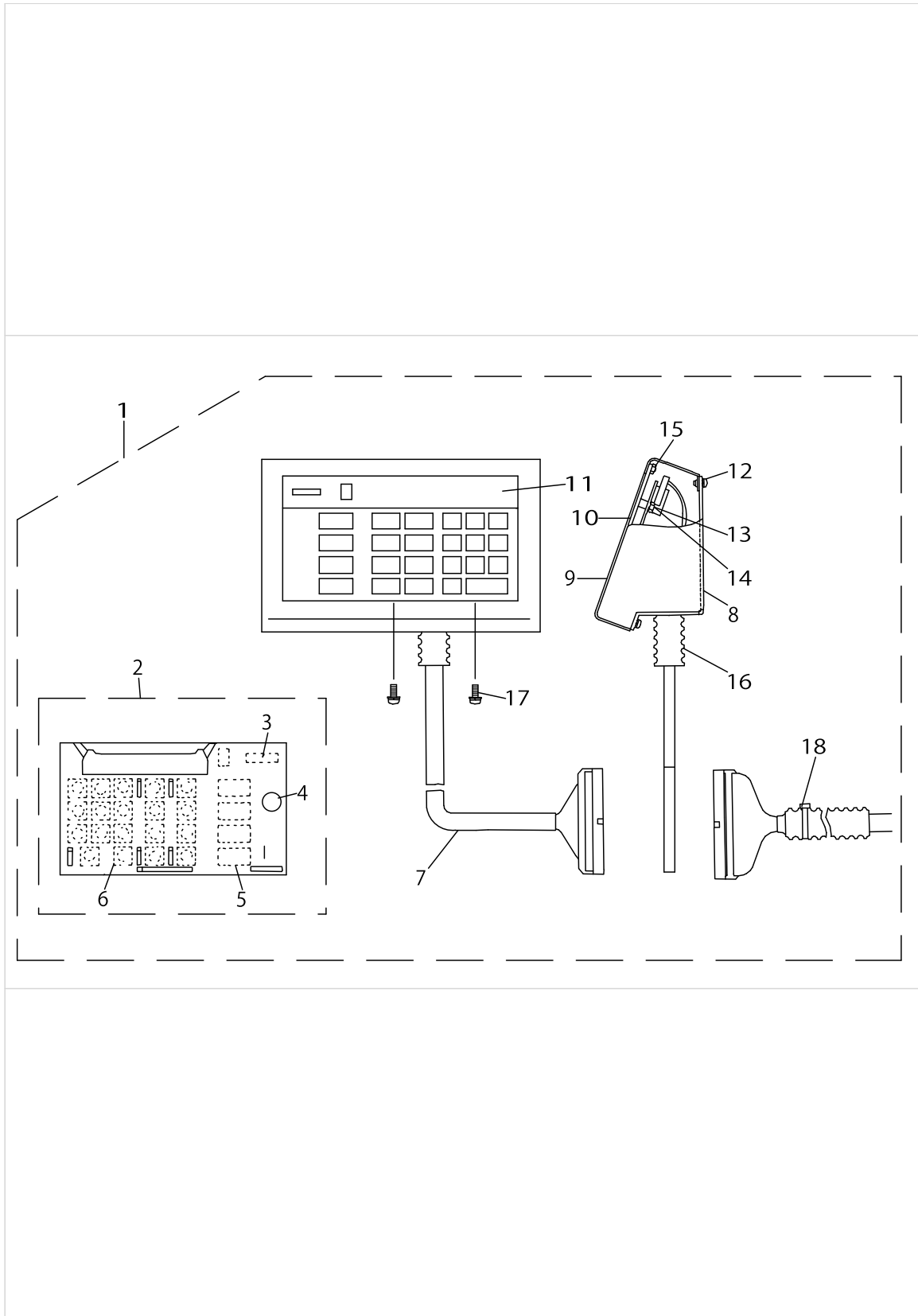
# CONTROL BOX COMPONENTS



CONTROL BOX COMPONENTS

No.	Supply Code	Parts No.	Replacement	Parts name	Remarks	Choice	Step	Level	Cons	Qty	Rep. QTY
1		M8501522AA0A		CONTOROLBOXASM.	FOR DOME- STIC USE,- EXPORT(100V,200V)					1	
2		M10015220A0		CONTOROLBOXASM.						1	
3		M1001522000		CONTOROL BOX				*		1	
4		M10025220A0		CONTOROL BOX COVER ASM.				*		1	
5		SL4041091SC		SCREW M4 L=10				*		8	
6		M85045220A0		FAN ASM.						1	
7	D	M85325180A0		SPEED VOLUME ASM.						1	
8		M85315180A0		SEESAW SWITCH ASM.						3	
9	D	M1011512000		FDD INSTALLING PLATE						1	
10		M1010510000		PLATE						1	
11		HM000630010		FILTER						1	
12		HX004100000		BUSH						1	
13		HX00114000B		KNOB						1	
14	R	HX003840000	40063909	FLOPPYDISK3.5INCH		A				1	1.00
14	R	HX003840000	S9622710000	FLOPPYDISK3.5INCH		A				1	1.00
15		SL4030691SC		SCREW M3X6						4	
16		SL4041091SC		SCREW M4 L=10						4	
17		SL4041091SC		SCREW M4 L=10						2	
18		SM1044050SM		SCREW M4X0.7 L=40						4	
19		WS0410002KN		SPRING WASHER						4	
20		NM6040001SB		NUT M4						4	
21		CM300100101		DANGER LABEL (SMALL)	FOR DOME- STIC USE					1	
22		CM300100001		LABEL	FOR JE(380V)					1	
23		M8501522BA0A		CONTOROLBOXASM.	FOR EXPORT(380V)					1	
24	D	M8501522CA0A		CONTOROLBOXASM.	FOR JE(380V)					1	
25		G6705152U0A		LABEL	FOR EXPORT					1	

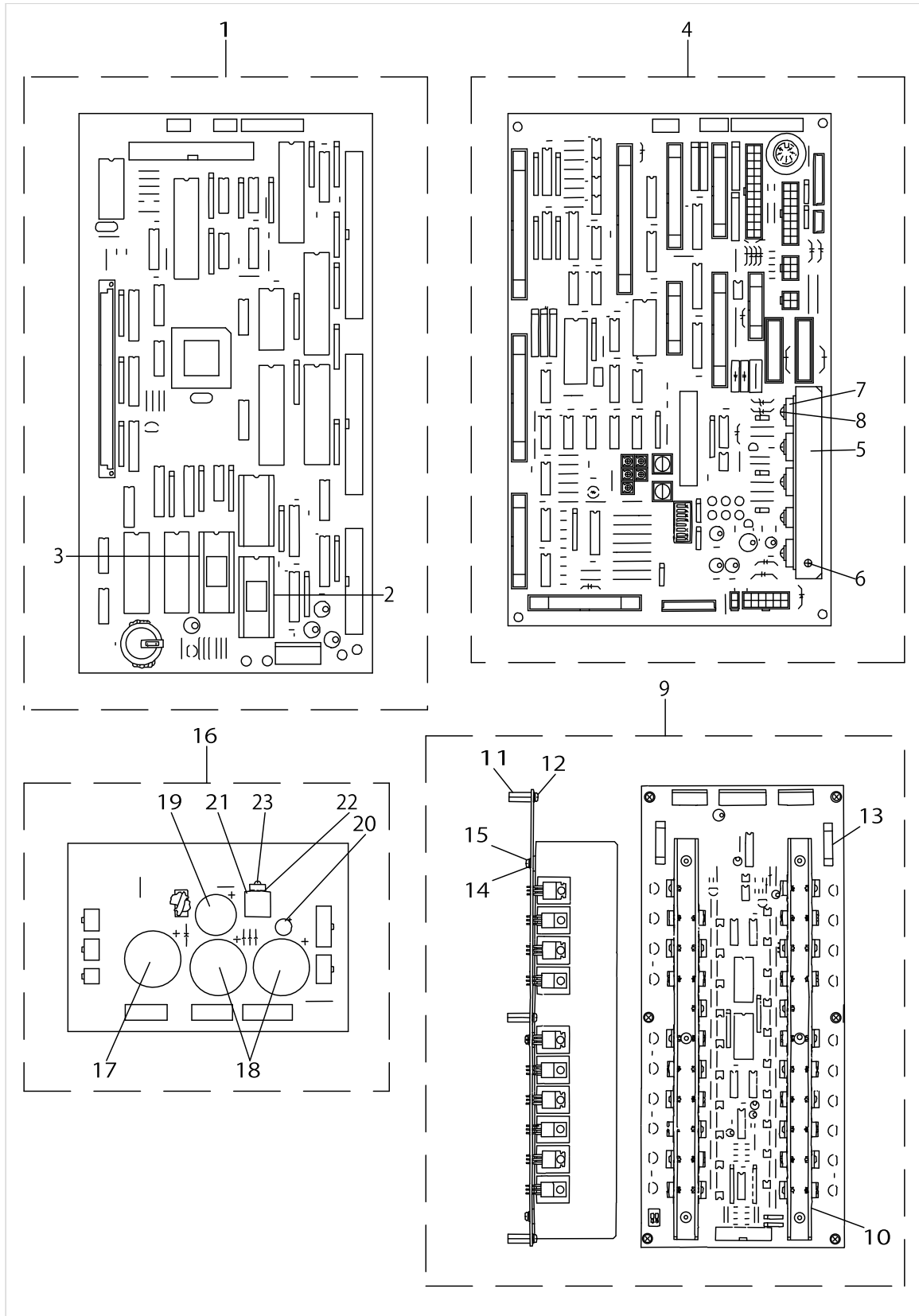
OPERATION BOX COMPONENTS



OPERETION BOX COMPONENTS

No.	Supply Code	Parts No.	Replacement	Parts name	Remarks	Choice	Step	Level	Cons	Qty	Rep. QTY
1	D	M8570517AB0		OPERATION BOX A ASM.						1	
2		M8670510AA0		OPERATION PCB A ASM.				*		1	
3	D	HG003280000		DIODE (LD701VR)				*		1	
4		HX001530000		BUZZER 1				*		1	
5	D	HG003290000		DIODE (LA301VLL)				*		13	
6		HA001410000		KEY SWITCH				*		19	
7	D	M90505170A0		OPERATION BOX COVER				*		1	
8		M1074517000		OPERATION BOX INSIDE COVER				*		1	
9		M1081518000		OPERATION BOX COVER				*		1	
10		M1082518000		OPERATION BOX BASE COVER				*		1	
11		M300451300G		PANEL SHEET(DOMESTIC)				*		1	
12		SL4030681SC		SCREW M3 L=6				*		4	
13		NM6030001SC		NUT M3				*		6	
14		WP0320500SC		WASHER M3				*		6	
15		NM6030001SC		NUT M3				*		4	
16		HX00307000C		CABLE CLAMP				*		0.1	
17		SL4040881SC		SCREW M4 L=8				*		2	
18		EA9500B0100		CABLE BAND				*		1	

CIRCUIT BOARD COMPONENTS

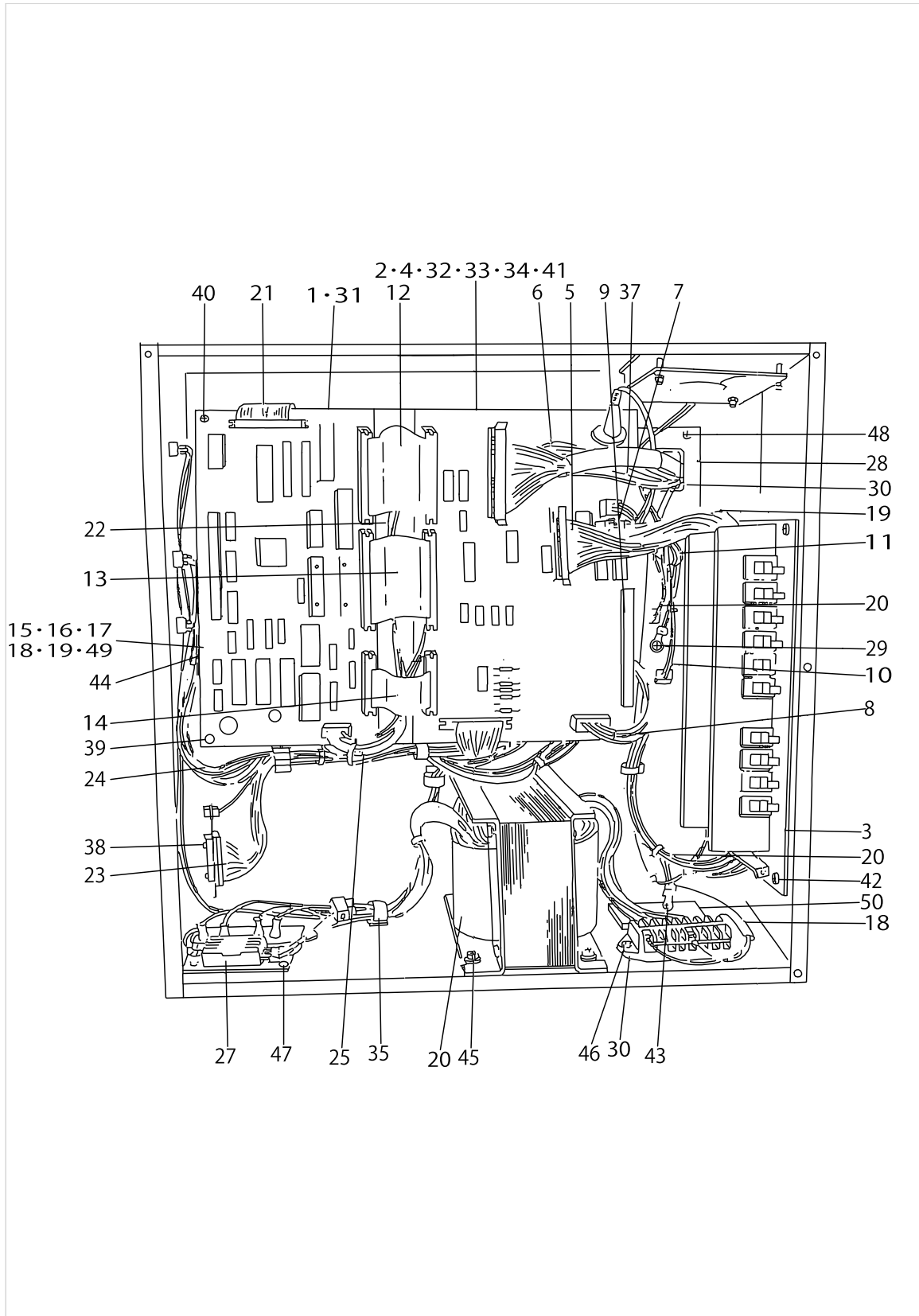


CIRCUIT BOARD COMPONENTS

No.	Supply Code	Parts No.	Replacement	Parts name	Remarks	Choice	Step	Level	Cons	Qty	Rep. QTY
1	D	M8601518BB0		CPU PCB ASM.						1	
2		HL014530020		IC				*		1	
3		HL014530021		IC				*		1	
4	D	M86025290B0A		I/F PCB ASM.						1	
5		M1001521000		HEAT SINK PLATE				*		1	
6		SL4030891SC		SCREW M3X8				*		2	
7		HT002570000		TRANSISTOR				*		3	
8		SL4030881SC		SCREW M3X8				*		5	
9	R	M86025220A0	M90175220A0	PMDC PCB ASM.		A				1	1.00
9	R	M86025220A0	M8603522AA0	PMDC PCB ASM.		A				1	1.00
10		M1003522000		HEAT SINK				*		2	
11		HX001990000		PARTS				*		6	
12		SL4030891SC		SCREW M3X8				*		6	
13		E9628252000		FUSE 7A				*		2	
14		HX00337000B		PARTS				*		6	
15		SL4040891SC		SCREW M4 L=8				*		6	
16		M86015220A0		POWER BOARD ASM.						1	
17		HC021801030		ELECTROLYSYS ALUMINUM				*		1	
18	D	HC040002720		ELECTROLYSYS ALUMINUM				*		2	
19		HC041101020		ELECTROLYSYS ALUMINUM				*		1	
20	D	HC025202210		CONDENSER 220MF				*		1	
21		HX001180000		HEAT SINK				*		1	
22		HX002410000		COOL SINK				*		1	
23		SL4030881SC		SCREW M3X8				*		1	



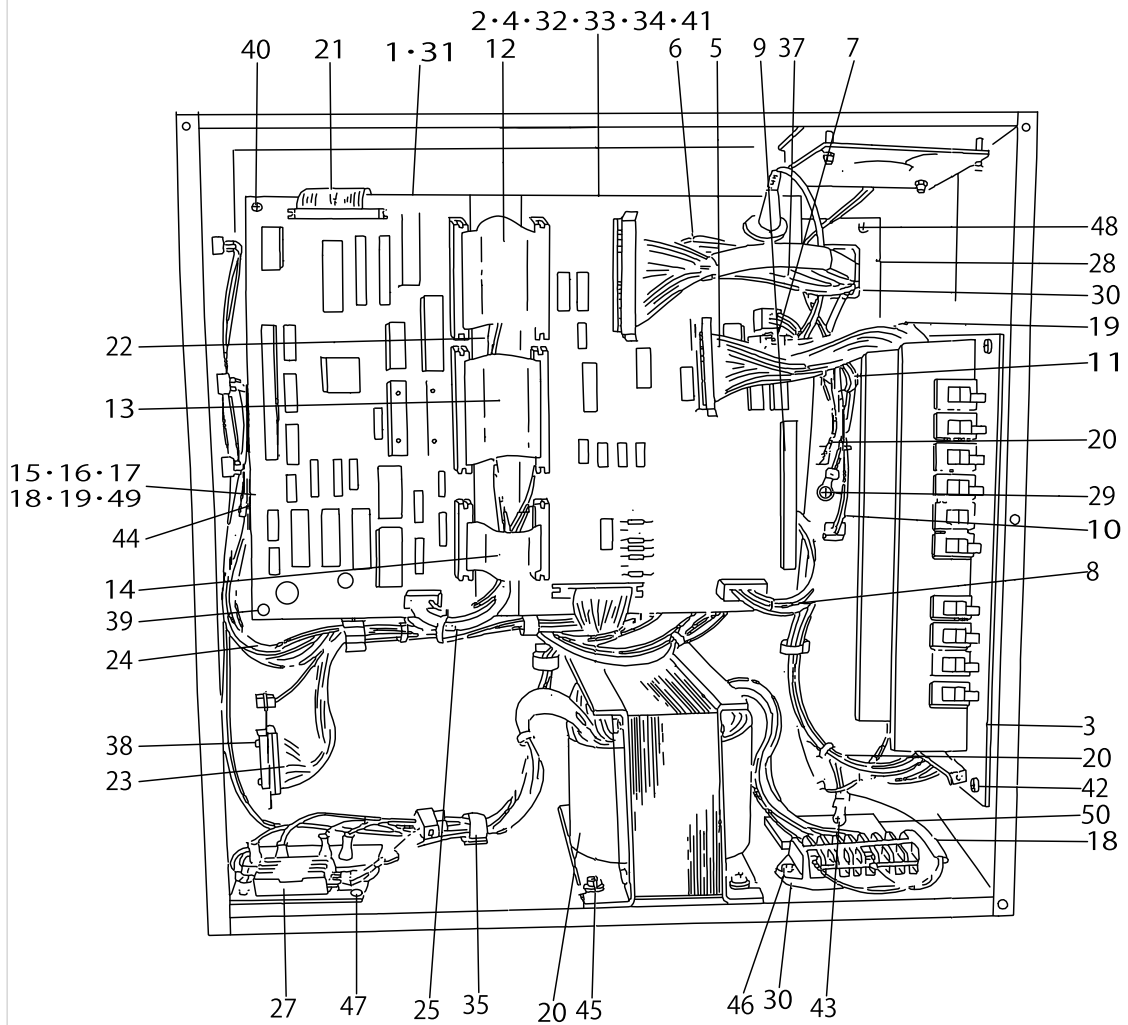
POWER SUPPLY & CORD COMPONENTS



POWER SUPPLY & CORD COMPONENTS

No.	Supply Code	Parts No.	Replacement	Parts name	Remarks	Choice	Step	Level	Cons	Qty	Rep. QTY
1	D	M8601518BB0		CPU PCB ASM.						1	
2	D	M86025290B0A		I/F PCB ASM.						1	
3	R	M86025220A0	M90175220A0	PMDC PCB ASM.		A				1	1.00
3	R	M86025220A0	M8603522AA0	PMDC PCB ASM.		A				1	1.00
4		M86015220A0		POWER BOARD ASM.						1	
5	D	M90075220A0		TRUNK CODE ASM.						1	
6		M90065220A0		SENSOR TRUNK CODE ASM.						1	
7		M90125220A0		TRUNK CODE ASM.						1	
8		M90035220A0		POWER CODE ASM.						1	
9		M90085220A0		TRUNK CODE ASM.						1	
10		M90085210A0		PEDAL SWITCH TRUNK CORD ASM.						1	
11	D	M90095210A0		PK-47 TRUNK CORD ASM.						1	
12		M90105210A0		SIGNALING CORD A ASM.						1	
13		M90115210A0		SIGNALING CORD B ASM.						1	
14		M90125210A0		SIGNALING CORD C ASM.						1	
15	R	M85055220A0	40019580	REGULATOR ASM.						1	1.00
16	R	M8511512000	M85115120A0	SWITCHING POWER						1	1.00
17		M90095220A0		MOTOR CODE ASM.	EXCEPT JE					1	
18		M90165220A0		AC CABLE ASM.						1	
19	D	M90155220A0		CODE ASM.						1	
20		M90015220A0		PMDC POWER CODE ASM.PO						1	
21	D	M85465120A0		FDD SIGNALING CORD ASM.						1	
22		M90025220A0		FDD POWER CODE ASM.						1	
23	D	M85515120A0		PGM-1 SIGNALING CORD ASM.						1	
24		M90045220A0		POWER CODE ASM.						1	
25		M90055220A0		CPU POWER CODE ASM.						1	
26	D	M8502522AA0		POWERTRANSAASM.						1	
27	D	M85035220A0		RECTIFIER ASM.						1	
28		17845009		CORDFITTINGPLATE						1	
29		HK038450010		TERMINAL						1	
30		HK045550080		TERMINAL						1	
31		HX004150000		BOARD SUPPORT						2	
32		HX004150000		BOARD SUPPORT						2	
33		HX001470000		PCB HOLDER						1	
34		HX004150000		BOARD SUPPORT						3	
35		HX00024000C		CORD CLAMP						1	
36		HX004070000		BUSH						1	
37	R	HX002890000	HX005970000	BEADE BAND						1	1.00
38		SL4030881SC		SCREW M3X8						2	
39		SL4030891SC		SCREW M3X8						2	
40		SL4030891SC		SCREW M3X8						2	
41		SL4030891SC		SCREW M3X8						3	
42		SL4040881SC		SCREW M4 L=8						6	
43		SL4041091SC		SCREW M4 L=10						2	
44		SL4030891SC		SCREW M3X8						2	
45		SL4061091SC		SCREW						4	

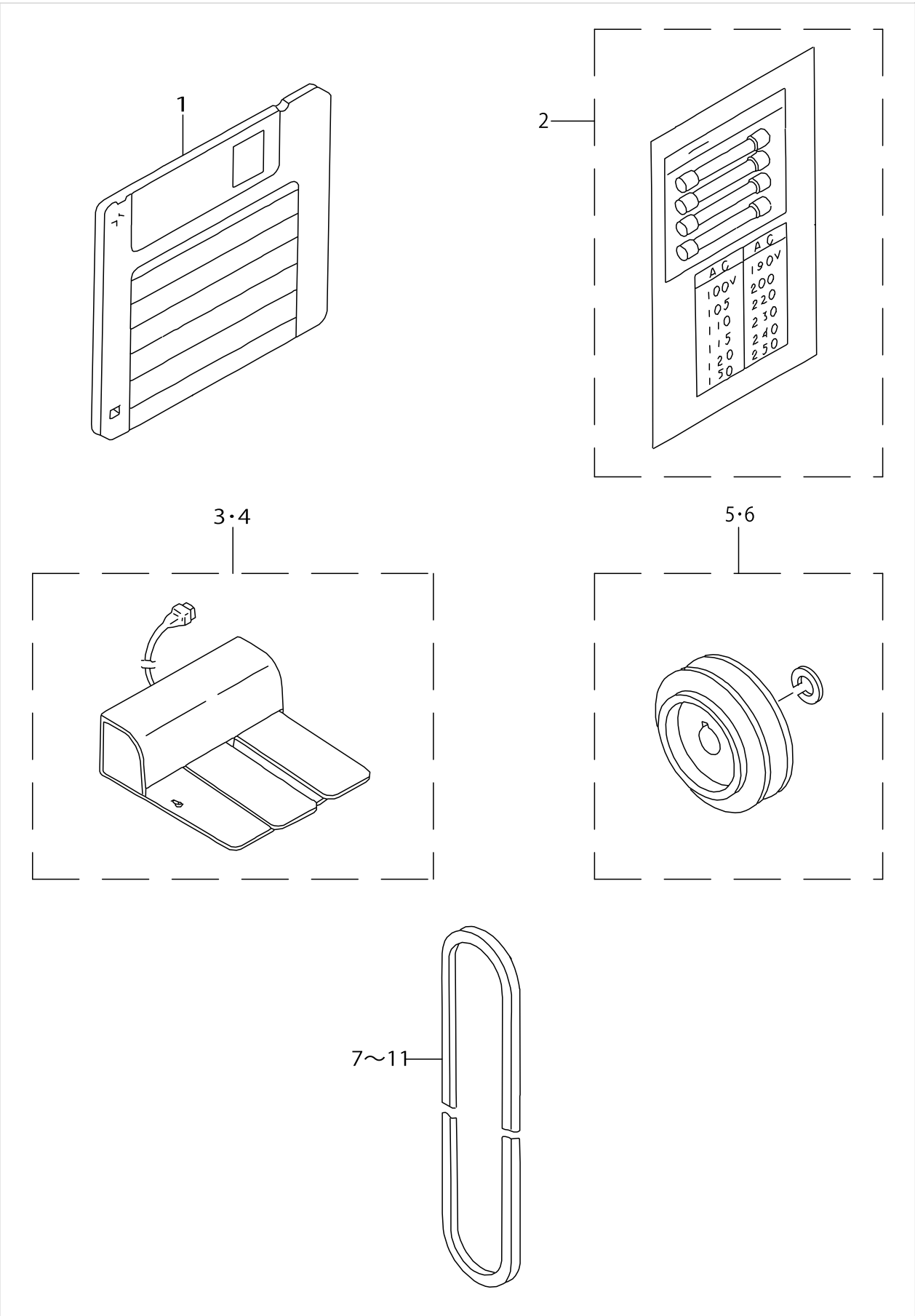
POWER SUPPLY & CORD COMPONENTS



POWER SUPPLY & CORD COMPONENTS

No.	Supply Code	Parts No.	Replacement	Parts name	Remarks	Choice	Step	Level	Cons	Qty	Rep. QTY
46		SL4042091SC		SCREW M4X0.7 L=20						2	
47		SL4041091SC		SCREW M4 L=10						3	
48		SL4041091SC		SCREW M4 L=10						2	
49		M9009522AA0		PULSE MOTOR CORD ASM.	FOR JE					1	
50		M1011518000		EARTH PLATE A	FOR JE					1	

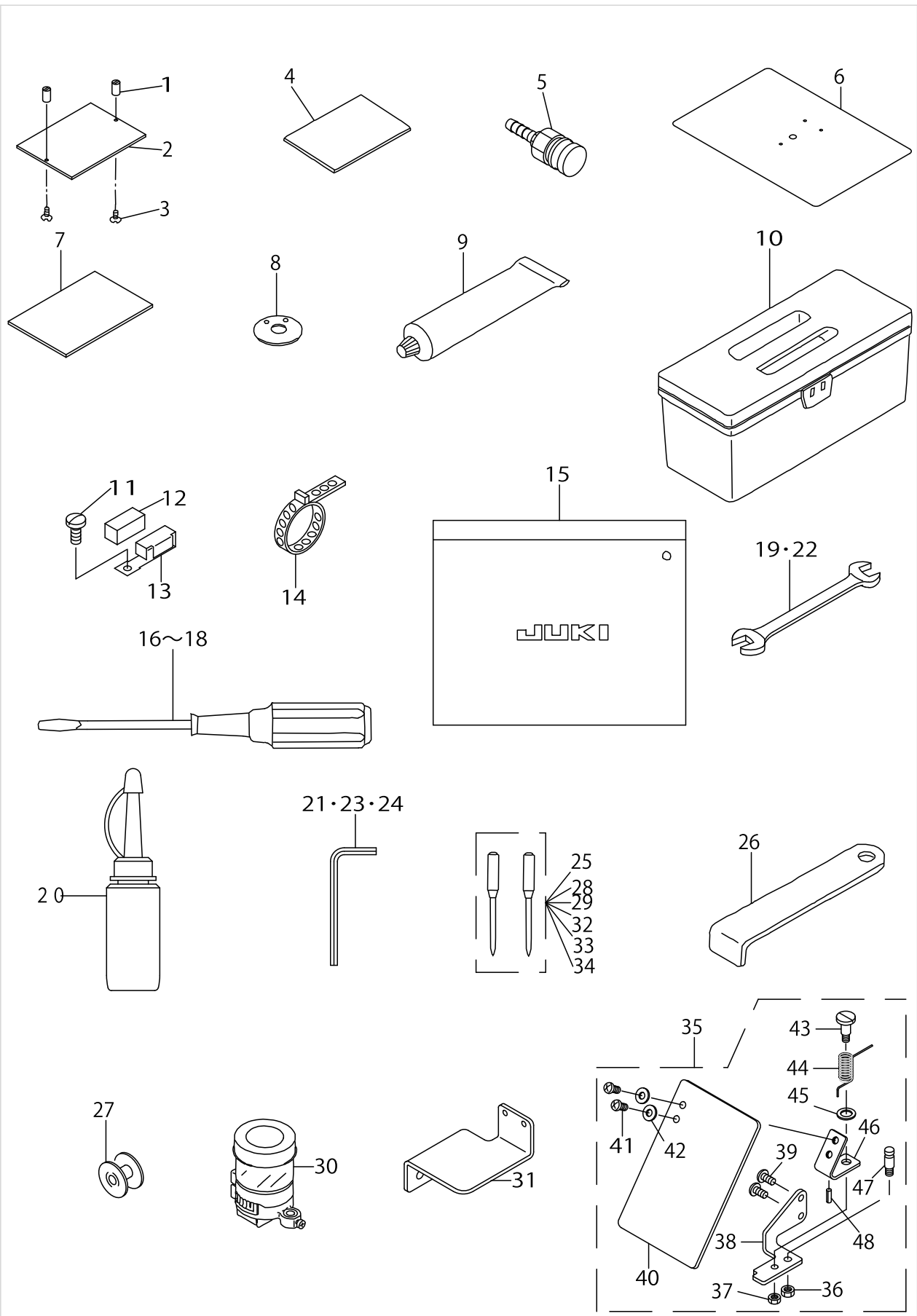
PEDAL & ELECTRIC EQUIPMENT ACCESSORIE PART COMPONENTS



PEDAL & ELECTRIC EQUIPMENT ACCESSORIE PART COMPONENTS

No.	Supply Code	Parts No.	Replacement	Parts name	Remarks	Choice	Step	Level	Cons	Qty	Rep. QTY
1		M8902522000		SERVICE DISK						1	
2		M85995120A0		ACCESSORIES ASM.						1	
3		M85905130AA		PEDAL SWITCH ASM.						1	
4		GPK470010AB		3-PEDAL ASM.						1	
5	D	MTSE8110702		PULLEY P.C.D. 45	FOR 60HZ					1	
6		MTSE8110704		PULLEY P.C.D. 55	FOR 50HZ					1	
7		MTJVM004700		V-BELT, 47 INCH	SELEVTIVE PART					1	
8		MTJVM004800		V-BELT, 48 INCH	SELEVTIVE PART					1	
9		MTJVM004900		V-BELT, 49 INCH	SELEVTIVE PART					1	
10		MTJVM005000		V-BELT, 50INCH	SELEVTIVE PART					1	
11		MTJVM005100		V-BELT,51 INCH	SELEVTIVE PART					1	

ACCESSORIE PART COMPONENTS

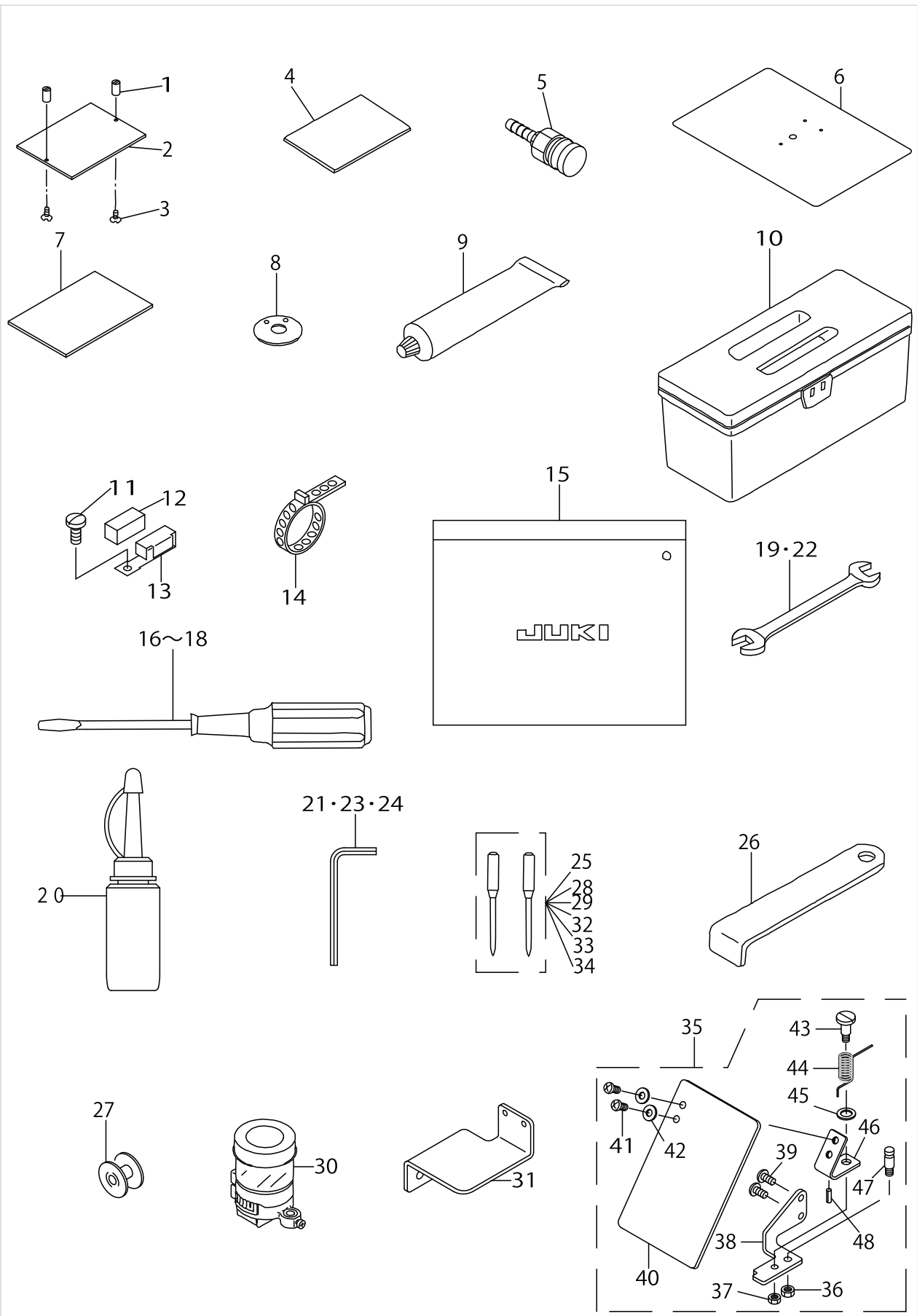


ACCESSORIE PART COMPONENTS

No.	Supply Code	Parts No.	Replacement	Parts name	Remarks	Choice	Step	Level	Cons	Qty	Rep. QTY
1		B2559220000		HINGE PIN						4	
2		B2557223C00		PLASTIC BLANK						2	
3		SS1090510SP		SCREW 9/64-40 L=5						4	
4		B2591220000		RUBBER SHEET						1	
5		PJ309520001		SOCKET						1	
6	D	B1170223C00		COVER SHEET						1	
7		B2564223C00		SPONGE						1	
8		B242621000G		NEEDLE HOLE GUIDE D=3	G TYPE					1	
9		13525506		GREASE TUBE						1	
10		B8601WP10A0		TOOL BOX ASM.						1	
11	R	SS7090910SP	SS7090910TP	SCREW 9/64-40 L=8.5						1	1.00
12		B1131528000		FELT						1	
13		10102259		THREADGUIDEASM.F						1	
14		PB000010000		HOSE BAND						1	
15	R	B9101552000	22932800	ACCESSORY BOX						1	1.00
16	R	B9109555000	22933006	SCREW DRIVER, LARGE						1	1.00
17	R	B9110012000	22933105	SCREW DRIVER, MIDDLE						1	1.00
18	R	B9111012000	22933204	SCREW DRIVER, SMALL						1	1.00
19		B9113012000		WRENCH (9X10)						1	
20		B91212200A0		OILER (CONTAINING NO.2 OIL)						1	
21		B9140372000		HEXAGONAL WRENCH, SMALL						1	
22		D9103555D00		WRENCH 6X7						1	
23		GCT02906000		HEXAGONAL SPANNER						1	
24		J106600000B		HEXAGONAL WRENCH KEY (2MM)						1	
25	R	MDP500B1402	MDP500B1400	NEEDLE DPX5#14-2	S TYPE(EXCPT JE)					1	1.00
26		B9101490000		DRIVER						1	
27		B1805205000		BOBBIN						1	
28		MC372001102		NEEDLE SY3355 #110-2	H TYPE(FOR JE)					1	
29	R	MC372001602	MC372001600	NEEDLE SY3355 #160-2	G TYPE(FOR JE)					1	1.00
30	R	MAXAP30EX00	40097301	SILICON OIL LUBRICANT CASE	G TYPE					1	1.00
31		B2535210000		TANK BASE	G TYPE					1	
32		MC200501002		NEEDLE 134 #100-2	S TYPE(FOR JE)					1	
33	R	MDP170B1802	MDP170B1800	NEEDLE DPZ17#18-2	H TYPE(EXCPT JE)					1	1.00
34		MDP170B2302		NEEDLE DPX17#23-2	G TYPE(EXCPT JE)					1	
35	R	13551254	40052806	SAFETY PLATE ASM.						1	1.00
36		NS6120310SP		NUT 3/16-28				*		1	
37		NS6110310SP		NUT 11/64-40				*		1	
38	R	13551205	26235705	SAFETY PLATE INSTALLING BASE				*		1	1.00
39		SS4110715SP		SCREW 11/64-40 L=7				*		2	
40	R	B3120372000	26037200	SAFETY PLATE				*		1	1.00
41		SS4110715SP		SCREW 11/64-40 L=7				*		2	
42		WP0450801SD		WASHER 4.5X10X0.8				*		2	
43		SD0601021SP		HINGE SCREW D=6 H=10.2				*		1	
44		13943204		SAFETY PLATE RETURN SPRING				*		1	
45		WP0740516SP		WASHER 7.4X11.8X0.5				*		1	
46	R	B3121372000	26037309	SAFETY PLATE INS-TALLING PLATE				*		1	1.00



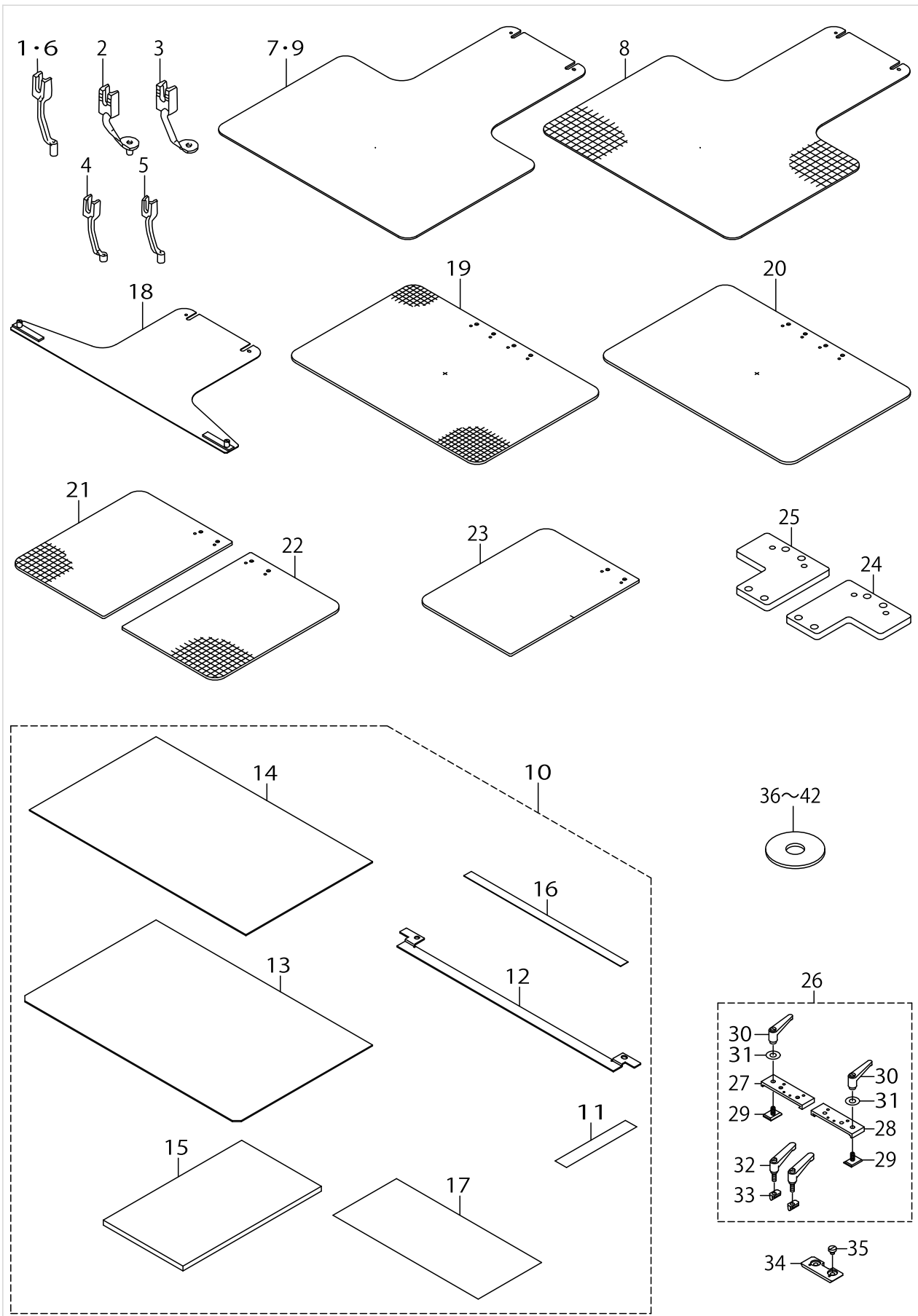
ACCESSORIE PART COMPONENTS



ACCESSORIE PART COMPONENTS

No.	Supply Code	Parts No.	Replacement	Parts name	Remarks	Choice	Step	Level	Cons	Qty	Rep. QTY
47	R	B1506352000	26226407	TENSION SPRING RACK B				*		1	1.00
48		PS0200062KH		SPRING PIN 2X6				*		1	

OPTIONAL PART COMPONENTS



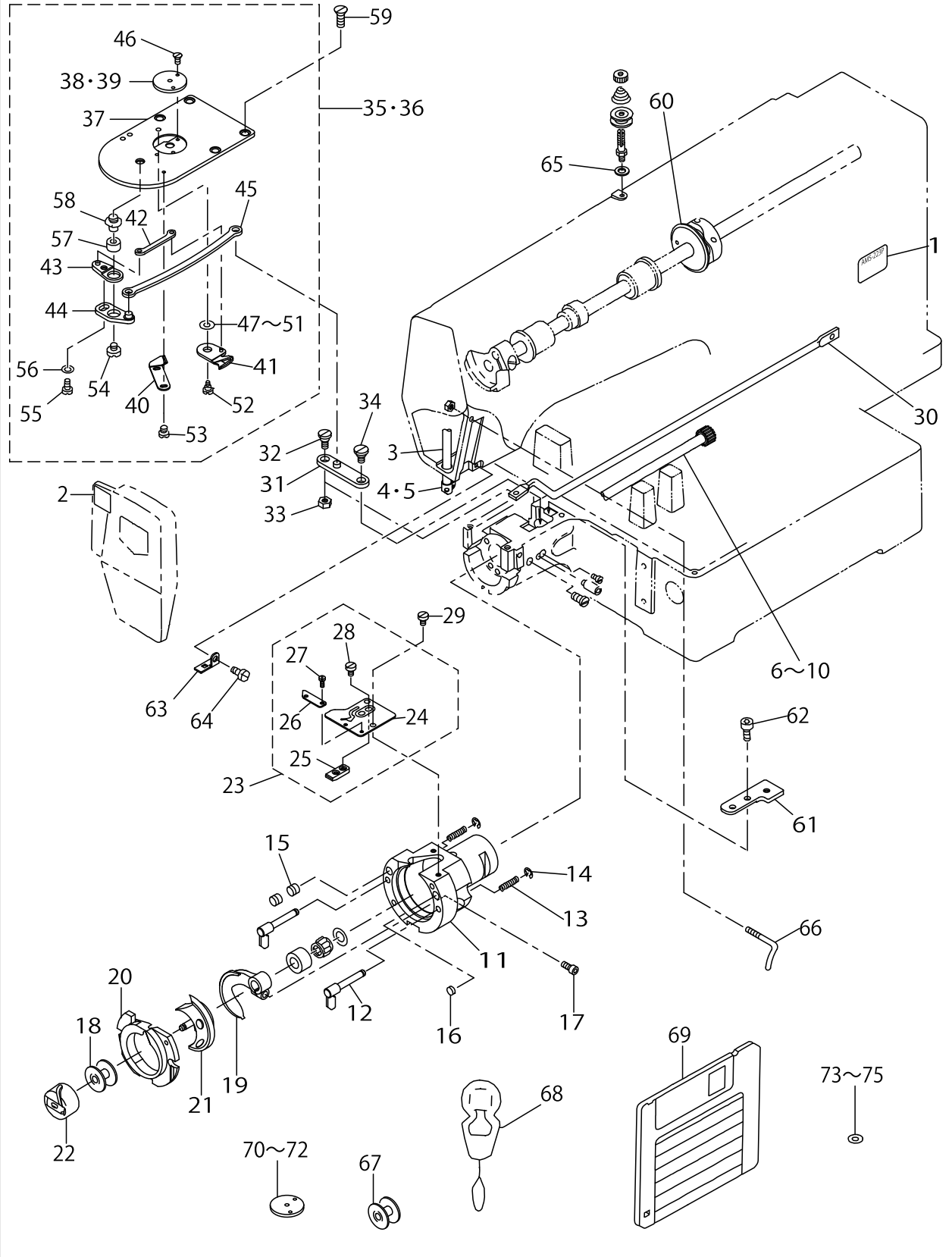
OPTIONAL PART COMPONENTS

No.	Supply Code	Parts No.	Replacement	Parts name	Remarks	Choice	Step	Level	Cons	Qty	Rep. QTY
1		B160122000B		INTERMEDIATE PRESSER B						1	
2		B160122000C		INTERMEDIATE PRESSER C						1	
3		B160122000D		INTERMEDIATE PRESSER D						1	
4		B160122000E		INNER PRESSER (E)						1	
5		B160122000F		INNER PRESSER (F)						1	
6		B160122000G		INNER PRESSER G						1	
7		B2556223C0B		LOWERPLATEBLANK						1	
8		B2556223C0C		LOWERPLATEBLANK						1	
9		B2556223C0D		LOWERPLATEBLANK						1	
10		B2582223CA0		CASSETTE HOLDER ASM.						1	
11		B2572229000		FILAMENT TAPE				*		1	
12		B2582223C00		CASSETTE PRESSER BASE PLATE				*		1	
13		B2583223C00		CASSETTE PRESSE- R LOWER PLATE				*		1	
14		B2584223C00		CASSETTE PRESSE- R UPPER PLATE				*		1	
15		B2588220000		WORK CLAMP PAP- ER MATERIAL (B)				*		2	
16		B2589223C00		CASSETTE PRESSER SPACER				*		1	
17		B2646215000		TAPE				*		1	
18		B2581223CA0		CASSETTE HOLDER FIXING PLATE						1	
19	D	B2620223C00		FEEDING FRAME BLANK						1	
20	D	B2621223C00		FEEDING FRAME BLANK						1	
21	D	B2622223C00		FEEDING FRAME BLANK, RIGHT						1	
22		B2623223C00		FEEDING FRAME BLANK, LEFT						1	
23		B2626223C00		FEEDING FRAME BLANK PLATE						1	
24		B2630215AA0		SLIDING PLATE ASM. RIGHT						1	
25		B26302150A0		SLIDING PLATE ASM. LEFT						1	
26	D	B26402150B0		CLAMP ASM.						1	
27	D	B26402150A0		FEEDING FRAME BLANK RIGHT				*		1	
28	D	B2640215AA0		FEEDING FRAME BLANK LEFT				*		1	
29		B26432150A0		SETTING PLATE ASM.				*		2	
30		B5116210000		CLAMP LEVER				*		2	
31		WP0650876SD		WASHER 6.5X13X0.8				*		2	
32		B5115210000		FEEDING FRAME CLAMP LEVER				*		2	
33		B2645215000		LOWER PLATE				*		2	
34		B26412150A0		SLIDE ASM.						2	
35		SS6150610SP		SCREW 15/64-28 L=5.5						4	
36		B242621000A		NEEDLE HOLE GUIDE D=1.6						1	
37		B242621000B		NEEDLE HOLE GUIDE D=2.0						1	
38		B242621000C		NEEDLE HOLE GUIDE D=1.6						1	
39		B242621000D		NEEDLE HOLE GUIDE D=2.4						1	
40		B242621000F		NEEDLE HOLE GUIDE D=3.0						1	
41		B242621000G		NEEDLE HOLE GUIDE D=3						1	
42		B242621000H		NEEDLE HOLE GUIDE D=3.0						1	

AMS-223P EXCLUSIVE PART COMPONENTS (1)

(Caution) Please understand that the specifications of the current AMS-223C cannot be modified to those of the AMS-223P.

(注意) 現行の AMS-223C から AMS-223P へ改造による仕様変更はできません。ご了承ください。



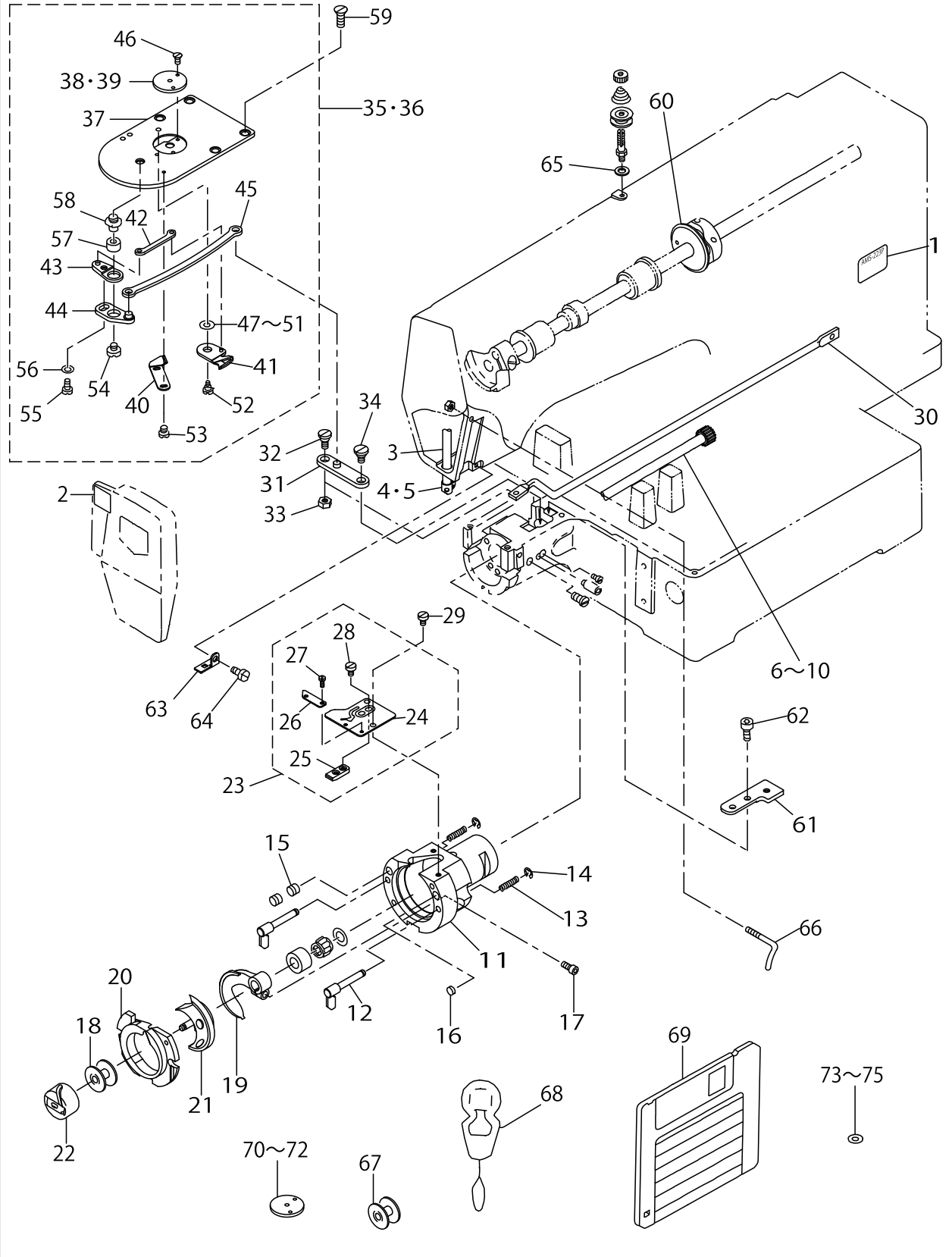
AMS-223P EXCLUSIVE PART COMPONENTS (1)

No.	Supply Code	Parts No.	Replacement	Parts name	Remarks	Choice	Step	Level	Cons	Qty	Rep. QTY
1		B1114223P00		MODEL NAME PLATE						1	
2		B1191215P00		NEEDLE SETTING LABEL						1	
3		B1401215P00		NEEDLE BAR						1	
4		B1405215P00		THREAD GUIDE A						1	
5		B1406215P00		THREAD GUIDE H	FOR HEAVY-WEIGHT MATERIAL					1	
6		B1811223PAA		SHUTTLE DRIVING SHAFT ASM.(A)	SELECTIVE PART					1	
7		B1811223PAB		SHUTTLE DRIVING SHAFT ASM.(B)	SELECTIVE PART					1	
8		B1811223PAC		SHUTTLE DRIVING SHAFT ASM.(C)	SELECTIVE PART					1	
9		B1811223PAY		SHUTTLE DRIVING SHAFT ASM.(Y)	SELECTIVE PART					1	
10		B1811223PAZ		SHUTTLE DRIVING SHAFT ASM.(Z)	SELECTIVE PART					1	
11		B1814215P00		SHUTTLE						1	
12	R	B1820215PA0A	26501858	INNER HOOK PRESSER ASM.						2	1.00
13		B1822215P00		INNER HOOK PRESSER SPRING						2	
14		RE0300000K0		E-RING 3						2	
15		B1226552000		ROLLER FELT						2	
16		13529607		SHUTTLE PACKING						1	
17		SS6121212TP		SCREW 3/16-28 L=12.0						1	
18		B1805215P00		BOBBIN						1	
19		B1812215P00		SHUTTLE DRIVER						1	
20		B1817215PA0		SHUTTLE RACE RING ASM.						1	
21		B1818215P00		SHUTTLE						1	
22		B1828215PA0		BOBBIN CASE ASM.						1	
23		B1815215PA0		SHUTTLE UPPER SPRING ASM.						1	
24	D	B1815215P00		SHUTTLE UPPER SPRING				*		1	
25		B1840215P00		LOOP RECEIVING PLATE				*		1	
26	R	B1841215P00	B1815215PA0	LOWER THREAD HOLDER				*		1	1.00
27		SS6060220SP		SCREW 3/32-56 L= 2.0				*		2	
28		SS6090420SP		SCREW 9/64-40 L= 4.0				*		2	
29		SS6090420SP		SCREW 9/64-40 L= 4.0				*		2	
30		B2413223P00		KNIFE DRIVING BAR						1	
31		B2430215PA0		CONNECTING ARM ASM.						1	
32		SD0640326TP		HINGE SCREW						1	
33		NS6110310SP		NUT 11/64-40						1	
34		SD0640326TP		HINGE SCREW						1	
35		B2425215PA0		NEEDLE PLATE ASM.						1	
36		B2425215PAB		NEEDLE PLATE ASM., H	FOR HEAVY-WEIGHT MATERIAL					1	
37		B2425215P00		NEEDLE PLATE				*		1	
38		B2426215P0A		NEEDLE HOLE GUIDE D=1.6				*		1	
39		B2426215P0B		NEEDLE HOLE GUIDE D=2.0	FOR HEAVY-WEIGHT MATERIAL			*		1	
40		B2424215P00		COUNTER KNIFE				*		1	
41		B2421215PA0		MOVING KNIFE ASM.				*		1	
42	D	B2418215P00		MOVING KNIFE LINK				*		1	
43		B2415215PA0		TRIMMING LEVER ASM. (SMALL)				*		1	

AMS-223P EXCLUSIVE PART COMPONENTS (1)

(Caution) Please understand that the specifications of the current AMS-223C cannot be modified to those of the AMS-223P.

(注意) 現行の AMS-223C から AMS-223P へ改造による仕様変更はできません。ご了承ください。

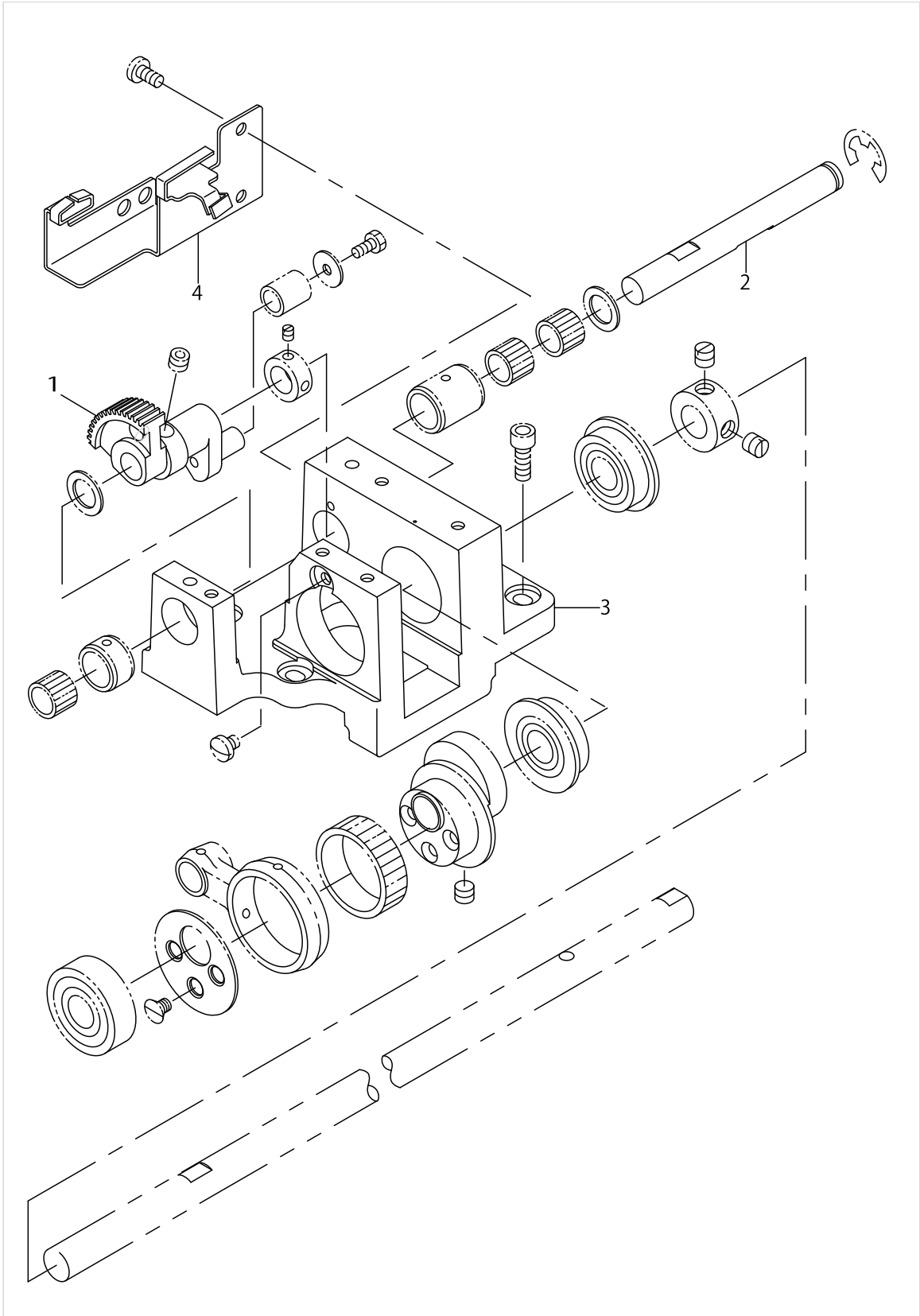


AMS-223P EXCLUSIVE PART COMPONENTS (1)

No.	Supply Code	Parts No.	Replacement	Parts name	Remarks	Choice	Step	Level	Cons	Qty	Rep. QTY
44		B2414215PA0		MOVING KNIFE DRIVING LEVER ASM				*		1	
45		B2432215P00		THREAD TRIMMING ROD				*		1	
46		SS1060210TP		SCREW 3/32-56 L=2.2				*		2	
47		B242328000C		MOVING KNIFE WASHER C	SELECTIVE PART			*		1	
48		B242328000D		MOVING KNIFE WASHER D	SELECTIVE PART			*		1	
49		B242328000E		MOVING KNIFE WASHER E	SELECTIVE PART			*		1	
50		B242328000F		MOVING KNIFE WASHER F	SELECTIVE PART			*		1	
51		B242328000G		MOVING KNIFE WASHER G	SELECTIVE PART			*		1	
52		B2417210000		MOVING KNIFE HINGE SCREW				*		1	
53		SS7060310SP		SCREW 3/32-56 L=3				*		2	
54		SS6110430TP		SCREW 11/64-40 L= 4.0				*		1	
55		SS7110740TP		SCREW 11/64-40 L=7				*		1	
56		WP0450846SP		WASHER				*		1	
57		B2416280000		THREAD CUTTING LEVER RING				*		1	
58		B2417280000		THREAD CUTTER LEVER SHAFT				*		1	
59		SS1110640TP		SCREW 11/64-40 L= 5.5						4	
60	D	B2401215P00		THREAD TRIMMING CAM						1	
61		B2431215P00		CONNECTING BASE						1	
62		SS6111052TP		SCREW						2	
63		B1129210000		FRAME THREAD GUIDE (B)						1	
64		SS7110840SP		SCREW 11/64-40 L=7.8						1	
65		WP0641600SC		WASHEW6.4X12.5X1.6						1	
66		B1125215P00		L-SHAPED THREAD GUIDE						1	
67		B1805215P00		BOBBIN	ACCESSO- RIE PART FOR AMS-223P					1	
68		B9107761000		THREAD PASSING INSTRUMENT	ACCESSO- RIE PART FOR AMS-223P					1	
69		M890252200P		SERVICE DISK P	ACCESSO- RIE PART FOR AMS-223P					1	
70		B2426215P0C		NEEDLE HOLE GUIDE D=2.4	OPTIONAL PART FOR AMS-223P					1	
71		B2426215P0D		NEEDLE HOLE GUIDE D=3.0	OPTIONAL PART FOR AMS-223P					1	
72		B2426215P0E		NEEDLE HOLE GUID- E D=3.0 C.BORE	OPTIONAL PART FOR AMS-223P					1	
73		B242328000D		MOVING KNIFE WASHER D	ACCESSO- RIE PART FOR AMS-223P					1	
74		B242328000F		MOVING KNIFE WASHER F	ACCESSO- RIE PART FOR AMS-223P					1	
75		B242328000G		MOVING KNIFE WASHER G	ACCESSO- RIE PART FOR AMS-223P					1	



AMS-223P EXCLUSIVE PART COMPONENTS (2)



AMS-223P EXCLUSIVE PART COMPONENTS (2)

No.	Supply Code	Parts No.	Replacement	Parts name	Remarks	Choice	Step	Level	Cons	Qty	Rep. QTY
1	D	B1805223P00		OSCILLATOR						1	
2		B1836223P00		OSCILLATING SHAFT						1	
3		B1838223P00		GEAR BOX						1	
4		B3531223P00		OIL FELT SUPPORTING PLATE						1	

## HOW TO MAKE USE OF THIS PARTS LIST

1.As to "#01" and "#02" refer to the "Note" given at the bottom of the respective pages.

2.Codes on the "Qty" column

- Each numeral indicates the number of parts required.
- "0.1" and "2.5" indicate the length (in meters) of the respective parts.

3.Parentheses mean that the corresponding part is a subpart that constructs an assembly part.

4.Dotted lines on the Figures indicate assembly parts.

1. リストページの# 0 1、# 0 2の印は、ページ下の"注記"の説明を参照下さい。
2. 数量欄の数字は、個数を表し、0. 1、2. 5等の数値は、長さ（単位メートル）を表します。
3. 数量欄の（ ）は、組部品を構成している子部品であることを意味します。
4. イラストページの-----枠は、組構成であることを意味します。

# NUMERICAL INDEX OF PARTS

PART NO	PAGE	REF NO.	PART NO	PAGE	REF NO.	PART NO	PAGE	REF NO.
10102259	70	13	B1112223C00	10	2	B1202210000	12	5
10502300	2	24	B1113223C00	10	3	B1203223C00	12	7
11071602	16	26	B1114223P00	76	1	B12042100A0	12	6
11071701	16	27	B1115220000	10	5	B12052100AA	12	12
11111309	14	71	B1115232000	2	32	B12052100BA	12	11
11185006	56	11	B11152320A0	2	29	B1206210A00	14	53
11185055	56	1	B1117220000	2	34	B12082100A0	12	14
11185105	56	2	B1120223C00	10	6	B12092200A0	12	2
11185204	56	3	B1121223C00	10	4	B1211980000	14	54
11185303	56	5	B1121223C0A	10	7	B1212223C00	14	55
11185352	56	4	B112222000B	2	35	B1213223C00	14	56
11185402	56	8	B112322000B	2	36	B1214223C00	14	57
11185501	56	13	B1123280000	2	37	B1215223C00	14	58
13508700	20	37	B1124220000	2	38	B1223771000	12	41
13508809	20	38	B1125215P00	2	39	B1226552000	76	15
13508908	20	39	B1125215P00	78	66	B1401210000	12	18
13512405	22	25-72	B1125220000	2	40	B1401215P00	76	3
13513205	30	12	B1126552000	2	41	B1402280000	12	19
13513304	30	13	B112821000B	2	42	B1403280000	12	22
13525506	70	9	B1129210000	2	43	B1404280000	12	26
13529607	44	28	B1129210000	78	63	B1405012000	4	84
13529607	76	16	B1131528000	70	12	B1405210000	12	20
13551205	70	38	B1132223C00	10	8	B1405215P00	76	4-5
13551254	70	35	B1142223C00	2	44	B1406210000	14	73
13710850	26	55	B1143210000	4	89	B1406215P00	76	4-5
13710900	26	56	B1143223C00	2	45	B1407210000	12	25
13711007	26	57	B1153223C00	8	3	B14115520A0	12	23
13786306	4	83	B1154223C00	8	4	B1411804A00	12	34~37
13816608	4	70	B1155223C00	8	5	B1411804A00	20	1~4
13816855	20	40	B1156223C00	8	6	B1411804B00	12	34~37
13817408	28	8	B1157215000	8	7	B1411804B00	20	1~4
13817457	28	1-2	B1158223C00	8	8	B1411804C00	12	34~37
13943204	70	44	B1159223C00	10	9	B1411804C00	20	1~4
17845009	64	28	B1170223C00	10	10	B1411804D00	12	34~37
20243200	52	29	B1170223C00	70	6	B1411804D00	20	1~4
29145505	4	71	B1178191000	2	46	B1414232000	12	21
B1104223C00	2	2	B1180223C00	8	9	B1419026000	44	3
B1104223CA0	2	1	B1181223C00	8	10	B1426352A00	24	35~39
B110522000A	2	25	B1182223C00	8	12	B1426352B00	24	35~39
B1107223C00	2	26	B1183223C00	8	13	B1426352C00	24	35~39
B1108223C00	8	1	B1185223C00	8	14	B1426352D00	24	35~39
B1109223C00	2	27	B1191215P00	76	2	B1426352E00	24	35~39
B1110223C00	8	2	B1193223C00	8	11	B1430180A00	20	5~8
B1111220000A	10	1	B1198229000	8	15	B1430180A00	24	17~20
B1111232000	2	28	B1201223C00	12	1	B1430180B00	20	5~8

# NUMERICAL INDEX OF PARTS

PART NO	PAGE	REF NO.	PART NO	PAGE	REF NO.	PART NO	PAGE	REF NO.
B1430180B00	24	17~20	B1634210000	18	62	B1818205A0B	22	21·71·77
B1430180C00	20	5~8	B1637560000	24	26	B1818210000	22	21·71·77
B1430180C00	24	17~20	B1641215000	18	54	B1818215P00	76	21
B1430180D00	20	5~8	B1642215000	18	55	B1819280000	20	22
B1430180D00	24	17~20	B1644215000	18	56	B1820215PA0A	76	12
B1502223C00	4	75·94	B1645215000	18	57	B1820280000	20	23
B1503223C00	4	77	B1646223C00	18	51	B1821280000	20	24
B1504210000	40	4	B1649161000	4	73	B1822215P00	76	13
B1504223C00	6	75·94	B1805205000	20	9·73·80	B1823280000	20	25·72
B1506352000	72	47	B1805205000	70	27	B18282050A0	20	26·78·79
B151902600G	34	36	B180520500B	22	9·73·80	B18282050AA	22	26·78·79
B160122000B	74	1·6	B1805210A00	22	9·73·80	B18282100A0	22	26·78·79
B160122000C	74	2	B1805215P00	76	67	B1828215PA0	76	22
B160122000D	74	3	B1805215P00	78	67	B1832223C00	24	2
B160122000E	74	4	B1805223C00	24	1	B1833223C00	24	3
B160122000F	74	5	B1805223P00	80	1	B1834223C00	24	4
B160122000G	18	1·50	B1808980000	20	10	B1835223C00	24	5
B160122000G	74	1·6	B1811059A00	14	60	B1836223C00	24	6
B160122000H	16	1·50	B1811059B00	14	61	B1836223P00	80	2
B1602220000	16	2	B1811223CAA	20	11~15	B1837223C00	24	7
B1603220000	16	3	B1811223CAB	20	11~15	B1838223C00	24	8
B1604220000	16	4	B1811223CAC	20	11~15	B1838223P00	80	3
B1605220000	16	5	B1811223CAY	20	11~15	B1839223C00	24	9
B1606155000	14	59	B1811223CAZ	20	11~15	B1840215P00	76	25
B1606220000	16	6	B1811223PAA	76	6~10	B1840223C00	24	21
B1608220000	16	7	B1811223PAB	76	6~10	B1841215P00	76	26
B1609220000	16	8	B1811223PAC	76	6~10	B1844223C00	24	10
B1610220000	16	9	B1811223PAY	76	6~10	B1845223C0A	24	11~13
B1611224000	16	10	B1811223PAZ	76	6~10	B1845223C0B	24	11~13
B1612215000	18	52	B1812205000	20	16·74	B1845223C0C	24	11~13
B1612220000	16	11	B1812210000	22	16·74	B1847223C00	20	27
B1613220000	16	12	B1812215P00	76	19	B1848223C00	24	15
B1614220000	16	13	B1813980000	20	17	B1849223C00	24	16
B1615224000	16	14	B1814215000	20	18	B1850223C00	26	63
B1616220000	16	15	B1814215P00	76	11	B19012100A0	12	27
B1620224000	16	16	B1815210000	22	19·75	B19012100B0	12	24
B1621224000	16	17	B1815215P00	76	24	B1903210000	12	28
B16222240A0	16	18	B1815215PA0	76	23	B1903552000	12	29
B1625220000	40	3	B1815980000	20	19·75	B1904280000	12	40
B1625224000	16	22	B1816280000	40	59	B1905541A00	12	30~33
B1626215000	18	53	B1816280000	42	59	B1905541B00	12	30~33
B1626220000	40	8	B18172050A0	20	20·76	B1905541C00	12	30~33
B1627220000	16	19	B18172100AB	22	20·76	B1905541D00	12	30~33
B1628220000	16	20	B1817215PA0	76	20	B2101220000	28	33
B1629224000	16	44	B1818205000	20	21·71·77	B21012200A0	28	18

# NUMERICAL INDEX OF PARTS

PART NO	PAGE	REF NO.	PART NO	PAGE	REF NO.	PART NO	PAGE	REF NO.
B2102205000	28	22	B2416280000	78	57	B2426215P0E	78	70~72
B2103220000	28	34	B2417210000	22	67·68	B2430215PA0	76	31
B2104220000	28	19	B2417210000	78	52	B2431215000	4	72
B2106220000	28	20	B2417280000	22	59	B2431215000	24	14
B2107210000	28	21	B2417280000	78	58	B2431215P00	78	61
B2301210000	30	7	B2418215P00	76	42	B2432215P00	78	45
B23012100A0	30	6	B2418280000	22	52	B2504223C00	34	1
B23022050AA	28	1·2	B2419280000	22	57	B2505223C00	34	2
B2302210000	30	8	B2420280000	22	58	B2506223C00	34	3
B2302280000	28	4	B24212050A0	22	50·51	B2507223C00	34	4
B2303280000	28	15	B2421210AA0	22	50·51	B2509224000	34	5
B23042200A0	30	1	B2421215PA0	76	41	B2509372000A	40	7
B2305210000	30	5	B242328000A	22	60~62	B2512223C00	34	6
B2306220000	30	2	B242328000B	22	60~62	B2513223C00	34	7
B2307220000	30	3	B242328000C	22	60~62	B2513224000	34	8
B2308223C00	30	4	B242328000C	78	47~51	B2514223C00	34	9
B2310220000	30	21	B242328000D	78	73~75	B2515223C00	34	10
B2311220000	30	22	B242328000E	78	47~51	B2515224000	34	11
B2312210A00	14	47·75	B242328000F	78	73~75	B2517223C00	38	12
B2312220000	14	47·75	B242328000G	78	73~75	B2518223C00	34	13
B2313280000	28	3	B2424210000	22	48·49	B2518223C0A	34	12
B2401205000	14	49	B2424210A00	22	48·49	B2519223C00	34	14
B2401215P00	78	60	B2424215P00	76	40	B2520223C00	34	15
B2402220000	30	20	B2425215000	22	44	B2523223C00	34	16
B2403223C00	30	23	B24252150A0	20	41~43	B2525223C00	38	1
B2404220000	30	28	B24252150AB	20	41~43	B2526223C00	38	2
B2405210000	30	30	B24252150AC	22	41~43	B2527223C00	34	17
B2406210000	30	31	B2425215P00	76	37	B2528223C00	34	18
B2407223C00	30	32	B2425215PA0	76	35·36	B2529223CA0	38	4
B2408210000	30	44	B2425215PAB	76	35·36	B2529223CAA	38	3
B2409210000	30	42	B242621000A	22	45~47	B2531223C00	38	5
B2410220000	30	41	B242621000A	74	36~42	B2534223C00	34	19
B24102200A0	30	40	B242621000B	22	45~47	B2535210000	70	31
B2411210000	30	33	B242621000B	74	36~42	B2536223C00	34	21
B2412220000	30	18	B242621000C	74	36~42	B2536223C0A	34	20
B2413223C00	30	29	B242621000D	74	36~42	B2539223C00	34	22
B2413223P00	76	30	B242621000F	22	45~47	B2540223C00	34	23
B2414210000	30	45	B242621000F	74	36~42	B2541223C00	34	24
B2414215PA0	78	44	B242621000G	70	8	B2542223C00	34	25
B2414280000	22	56	B242621000G	74	36~42	B2543223C00	34	26
B2415210000	30	46	B242621000H	74	36~42	B2544223C00	34	27
B2415215PA0	76	43	B2426215P0A	76	38·39	B2545223C00	34	28
B24152800A0	22	54·55	B2426215P0B	76	38·39	B2547223C00	34	29
B2416210000	22	54·55	B2426215P0C	78	70~72	B2548223C00	34	30
B2416280000	22	53	B2426215P0D	78	70~72	B2549223C00	34	31

# NUMERICAL INDEX OF PARTS

PART NO	PAGE	REF NO.	PART NO	PAGE	REF NO.	PART NO	PAGE	REF NO.
B2550223C00	40	2	B26302150A0	74	25	B3311704000	56	9
B2553223C00	40	37	B2630215AA0	74	24	B3317704000	56	14
B2555223C00	34	32	B26402150A0	74	27	B3319704L00	56	6
B2556223C00	40	1	B26402150B0	74	26	B3320704L00A	56	10
B2556223C0B	74	7-9	B2640215AA0	74	28	B3501210000	44	15
B2556223C0C	74	8	B26412150A0	74	34	B3502220000	44	1
B2556223C0D	74	7-9	B26432150A0	74	29	B3504220000	44	9
B2557223C00	70	2	B2645215000	74	33	B3504280000	44	30
B2558220000	40	38	B2646215000	74	17	B3505280000	44	29
B2559220000	70	1	B2702210000	28	16	B3507220000	44	11
B2564223C00	70	7	B2703210000	48	33	B3507280000	44	6
B2567223C00	40	22	B2714761000	24	22	B3508220000	44	12
B2567223CA0	40	21	B2714761000	30	10	B3508280000	44	18
B2568223C00	42	60	B2727761000	30	11	B3509220000	44	2
B2569229000	40	27	B3051816000	24	23	B3518210000	44	35
B2570215000	40	16	B3107804000	28	7	B3520220000	44	13
B2571215000	40	17	B3112761000	28	5-6	B3522223C00	44	37
B2572229000	74	11	B3114232000	28	11-12	B3523223C00	44	38
B2574220000	40	5	B3114771000	4	47	B3524215000	44	32
B2576220000	40	6	B3120125000	28	9	B3527223C00	44	36
B2581223CA0	74	18	B3120372000	70	40	B3528223C00	44	39
B2582223C00	74	12	B3121372000	70	46	B3530223C00	44	40
B2582223CA0	74	10	B3123352000	2	31	B3531223C00	44	34
B2583223C00	74	13	B3125012000	2	33	B3531223P00	80	4
B2584223C00	74	14	B3126012000	2	30	B3538112000	44	19
B2588220000	74	15	B3126012000	28	10	B4002223C00	48	1
B2589223C00	74	16	B3129053000	28	11-12	B4003223C00	48	2
B2591220000	70	4	B3132552000	28	13	B4004223C00	48	3
B2602223C00	42	55	B32012100A0	2	3	B4005223C00	48	4
B2602223CA0	42	54	B3203210000	2	4	B4006223C00	48	5
B2603223C00	42	58	B3204210000	2	5	B4007223C00	48	6
B2603223CA0	42	57	B3205210000	2	6	B4008223C00	48	7
B2604223C00	40	42	B3206210000	2	7	B4020223C00	48	8
B2604223CA0	40	41	B3207210000	2	8	B4021223C00	48	9
B2605223C00	40	45	B3208210000	2	9	B4022223C00	48	10
B2605223CA0	40	44	B3208280000	2	10	B4110223CA0	48	12
B2611223C00	40	25	B3209210000	2	11	B4110223CB0	48	11
B2611223CA0	40	24	B3210210000	2	12	B4120223C00	48	15
B2613223C00	40	19	B3211210000	2	13	B4130223CA0	48	13
B2613223CA0	40	18	B3212210000	2	14	B4134814000	34	33
B2620223C00	74	19	B3212761000	2	15	B4150223CA0	48	14
B2621223C00	74	20	B3213205000	12	38	B471122000A	16	45
B2622223C00	74	21	B322877100B	18	58	B471122000B	18	46
B2623223C00	74	22	B3305704000A	56	7	B471122000C	40	11
B2626223C00	74	23	B3311012000	56	12	B471122000D	40	12

# NUMERICAL INDEX OF PARTS

PART NO	PAGE	REF NO.	PART NO	PAGE	REF NO.	PART NO	PAGE	REF NO.
B471122000G	40	13	BP600000000	44	7	G6705152U0A	58	25
B471122000H	40	14	BT0400251EB	16	24	G8124270000	50	3
B4715223CA0	50	2	BT0400251EB	40	33	GCT02906000	70	21·23·24
B47162150A0	50	21	BT0400251EB	50	19	GPK470010AB	68	3·4
B4717223C00	50	22	BT0600401EB	50	18	HA001410000	60	6
B5115210000	74	32	CM300100001	58	22	HC021801030	62	17
B5116210000	74	30	CM300100101	58	21	HC025202210	62	20
B8102215A00	52	3	CM300200002	6	92·93	HC040002720	62	18
B8108220000	52	4	CM3002000B2	6	92·93	HC041101020	62	19
B8109220000	52	5	CM300200301	4	90	HD000570000	48	17
B8110223C00	52	36	CM3002003A1	4	91	HD001350000	48	18
B8110223CA0	52	35	CM500100001	54	56	HG003280000	60	3
B8111220000	52	37	CQ202000000	44	4	HG003290000	60	5
B8112220000	52	38	CQ252200000	44	10	HK018800020	28	32
B8116223C00	52	6	CS080081FSH	20	28	HK034610040	50	9
B8117223C00	52	30	CS111101CSH	16	43	HK034640000	50	11
B8118223C00	52	31	CS120081ATN	24	24	HK038450010	64	29
B8171223C00	52	32	CS1201010SH	24	25	HK045550080	64	30
B8201223C0A	52	33	CS1201010SH	34	34	HL014530020	62	2
B8201223C0B	52	34	CS1470710SH	14	51	HL014530021	62	3
B8202205000	52	39	CS147121ESH	12	10	HM000630010	58	11
B821021000B	54	52	CS1501011TH	34	35	HP000200200	28	31
B821121000B	54	53	D1230555B0A	14	62~65	HT002570000	62	7
B8301223C00	52	7	D1230555B0B	14	62~65	HX00024000C	64	35
B8301223CA0	52	2	D1230555B0C	14	62~65	HX00114000B	58	13
B8302223C00	52	8	D1230555B0D	14	62~65	HX001180000	62	21
B8303223C00	52	9	D1455055B00	16	28	HX001470000	64	32~34
B8304223C00	52	10	D1456055B00	16	29	HX001530000	60	4
B8306223C00	52	11	D1457055B00	16	30	HX001990000	62	11
B8307220000	52	12	D2112555B00	44	8	HX002330000	42	47
B8308220000	52	13	D2430555B00	2	16	HX002410000	62	22
B8309223C00	52	14	D2430555B00	30	34	HX002890000	64	37
B8601WP10A0	70	10	D3112L4BB00	28	5·6	HX00307000C	60	16
B9101490000	70	26	D6043555B00	30	19	HX00326000B	52	44
B9101552000	70	15	D9103555D00	70	19·22	HX00337000B	62	14
B9107761000	78	68	E2678453000	50	12	HX00364000E	40	36
B9109555000	70	16~18	E9628252000	62	13	HX003840000	58	14
B9110012000	70	16~18	EA9500B0100	48	16	HX004070000	64	36
B9111012000	70	16~18	EA9500B0100	50	10	HX004100000	58	12
B9113012000	70	19·22	EA9500B0100	60	18	HX004110000	48	19
B9121012000	52	41	EA9502B0100	52	42	HX004150000	64	32~34
B91212200A0	70	20	EA9502B0200	46	47	J106600000B	70	21·23·24
B9140372000	70	21·23·24	EA9502B0400	52	43	M1001521000	62	5
BP300000000	44	5	G5032164000	52	15	M1001522000	58	3
BP500000000	44	14	G5430116000	50	5	M10015220A0	58	2



NUMERICAL INDEX OF PARTS

PART NO	PAGE	REF NO.	PART NO	PAGE	REF NO.	PART NO	PAGE	REF NO.
M10025220A0	58	4	M90095210A0	64	11	NS6110420SP	30	35
M1003522000	62	10	M90095220A0	64	15·16·17	NS6110530SP	2	17
M1010510000	58	10	M9009522AA0	66	18·19·49	NS6110530SP	16	33
M1011512000	58	9	M90105210A0	64	12	NS6120310SP	70	36
M1011518000	66	50	M90115210A0	64	13	NS6120630SP	30	36
M1074517000	60	8	M90125210A0	64	14	NS6150310SP	4	50
M1081518000	60	9	M90125220A0	64	7	NS6150330SD	42	51
M1082518000	60	10	M90155220A0	64	18·19·49	NS6150430SP	16	34
M300451300G	60	11	M90165220A0	64	18·19·49	NS6150430SP	30	27
M40071100AB	12	13	M90505170A0	60	7	NS6280610SP	24	28
M8501522AA0A	58	1·23·24	MAO11532000	56	21	PA1602509A0	40	9
M8501522BA0A	58	1·23·24	MAT80116S00	24	27	PA1603003A0	16	21
M8501522CA0A	58	1·23·24	MAXAP30EX00	70	30	PB000010000	70	14
M8502522AA0	64	26	MC200501000	14	72	PC010508000	16	25
M85035220A0	64	27	MC200501002	70	32	PC012401000	50	15
M85045220A0	58	6	MC372001100	14	76	PF025208000	50	23
M85055220A0	64	15·16·17	MC372001102	70	28	PF0552040B0	50	6
M8511512000	64	15·16·17	MC372001600	14	78	PF070501000	50	20
M85315180A0	58	8	MC372001602	70	29	PJ030520001	50	7
M85325180A0	58	7	MDP170B1800	14	74	PJ032052503	50	13
M85465120A0	64	21	MDP170B1802	70	33	PJ046052503	40	10
M85515120A0	64	23	MDP170B2300	14	77	PJ304045203	50	24
M8570517AB0	60	1	MDP170B2302	70	34	PJ305065202	50	25
M85905130AA	68	3·4	MDP500B1400	14	52	PJ308040002	50	14
M85995120A0	68	2	MDP500B1402	70	25	PJ309005203	50	4
M8601518BB0	62	1	MTJVM004700	68	7~11	PJ309520001	70	5
M8601518BB0	64	1·31	MTJVM004800	68	7~11	PS0150065KP	2	18
M86015220A0	62	16	MTJVM004900	68	7~11	PS0150065KP	8	17
M86015220A0	64	2·4·41	MTJVM005000	68	7~11	PS0150065KP	40	23
M86025220A0	62	9	MTJVM005100	68	7~11	PS0200062KH	72	48
M86025220A0	64	3	MTSE8110702	68	5·6	PS0250162KH	20	29
M86025290B0A	62	4	MTSE8110704	68	5·6	PS0400141KH	52	45
M86025290B0A	64	2·4·41	NM6030001SC	60	15	PX950009000	50	27
M8670510AA0	60	2	NM6040001SB	58	20	RE0300000K0	40	15
M8902522000	68	1	NM6040003SC	28	30	RE0300000K0	76	14
M890252200P	78	69	NM6040003SC	30	24	RE0320000K0	42	68
M90015220A0	64	20	NM6050001SE	56	20	RE0600000K0	34	41
M90025220A0	64	22	NM6050001SP	34	38	RE0900000KP	26	59
M90035220A0	64	8	NM6080001SC	52	17	RO048190100	16	31
M90045220A0	64	24	NM6120011SF	10	11	SB106000400	14	66
M90055220A0	64	25	NS6090310SP	4	49	SB108000200	34	43
M90065220A0	64	6	NS6110310SP	4	74	SB108000500	34	45
M90075220A0	64	5	NS6110310SP	8	16	SB112000100	24	29
M90085210A0	64	10	NS6110310SP	70	37	SB112000300	26	61
M90085220A0	64	9	NS6110310SP	76	33	SB112000700	24	60

# NUMERICAL INDEX OF PARTS

PART NO	PAGE	REF NO.	PART NO	PAGE	REF NO.	PART NO	PAGE	REF NO.
SB112000700	26	60	SL4041091SC	58	17	SM9124503SB	10	13
SB112000700	34	46	SL4041091SC	64	48	SS1060210TP	22	63
SB115000600	36	47	SL4041091SC	66	48	SS1060210TP	78	46
SB130000200	36	48	SL4041281SF	48	22	SS1090510SP	70	3
SB130000300	36	49	SL4042091SC	66	46	SS1110640TP	22	70
SB31000080A	24	31~34	SL4042581SF	50	26	SS1110640TP	26	64
SB31000080B	24	31~34	SL4051241SE	54	54	SS1110640TP	44	44
SB31000080C	24	31~34	SL4061091SC	64	45	SS1110640TP	78	59
SB31000080D	24	31~34	SL9061291SE	10	18	SS1110840SP	8	22
SB412000100	38	13	SL9082093SE	52	19	SS1110840SP	10	14
SD0500803TP	30	37	SM1044050SM	58	18	SS1110840SP	36	68
SD0530221SP	30	16	SM4030401SC	8	19	SS2110710TP	8	18
SD0550212TP	18	48	SM4040601SC	4	52	SS2110920TP	14	68
SD0550501SP	18	59	SM4051405SE	56	18	SS2110920TP	32	49
SD0600101TP	22	67·68	SM5051400SC	10	12	SS2111010TP	36	67
SD0600352SP	28	25	SM6030602TP	36	50	SS2621540SP	36	70
SD0601021SP	70	43	SM6031002TP	36	80	SS3090610SP	4	53
SD0601051SP	14	67	SM6031402TP	36	51	SS4090715SP	4	54
SD0640321SP	16	40	SM6040602TP	44	43	SS4110715SP	4	55
SD0640321SP	28	27	SM6040802TP	36	53	SS4110715SP	70	41
SD0640321SP	30	17	SM6040802TP	44	33	SS4110815SP	4	56
SD0640321TP	16	49	SM6040802TP	48	30	SS4110815SP	8	23
SD0640321TP	18	49	SM6041202TP	36	56	SS4110815SP	48	28
SD0640326TP	76	34	SM6051202TP	38	6	SS4110915SP	8	24
SD0650305TP	30	38	SM6051402TP	24	40	SS4111015SP	4	59
SD0720321TP	16	60	SM6051402TP	36	57	SS4112215SP	36	71
SD0720321TP	18	60	SM6051402TP	40	28	SS4120615SP	8	26
SD1100301TP	32	47	SM6051602TP	36	58	SS4150715SP	4	60
SL4030681SC	60	12	SM6052002TP	36	59	SS4150915SP	4	78
SL4030691SC	58	15	SM6052502TP	36	60	SS6060220SP	76	27
SL4030881SC	62	23	SM6060802TP	4	76	SS6060410TP	20	30
SL4030881SC	64	38	SM6060802TP	40	34	SS6090420SP	76	29
SL4030891SC	62	12	SM6061202TP	36	61	SS6090440SP	44	31
SL4030891SC	64	44	SM6061802TP	42	61	SS6090520SP	44	42
SL4031081SF	48	20	SM6082502TM	52	20	SS6090620SP	2	19
SL4031481SC	52	40	SM7030450SC	8	20	SS6090630TP	28	23
SL4040691SC	54	55	SM7040800SC	48	23	SS6090670TP	12	43
SL4040881SC	48	21	SM8050602TP	40	29	SS6092120SP	44	21
SL4040881SC	60	17	SM8050812TP	42	62	SS6110430TP	22	64
SL4040881SC	64	42	SM8060602TP	36	62	SS6110430TP	78	54
SL4040891SC	4	51	SM8060602TP	38	8	SS6110480SP	24	42
SL4040891SC	52	47	SM8061002TP	36	64	SS6110610TP	8	27
SL4040891SC	54	47	SM9041250SC	54	49	SS6110610TP	10	15
SL4040891SC	62	15	SM9051450SC	50	17	SS6111052TP	78	62
SL4041091SC	54	48	SM9122503SE	52	21	SS6111140SP	36	72

NUMERICAL INDEX OF PARTS

PART NO	PAGE	REF NO.	PART NO	PAGE	REF NO.	PART NO	PAGE	REF NO.
SS6111210SP	12	16	SS8090610SP	28	14	WP0450000SD	4	67
SS6121010SP	42	63	SS8110422TP	12	4	WP0450000SD	8	30
SS6121210SP	30	43	SS8110422TP	36	73	WP0450000SD	44	27
SS6121212TP	20	31	SS8110510SP	14	69	WP0450801SD	4	68
SS6121212TP	76	17	SS8110520TP	2	20	WP0450801SD	8	31
SS6121220TP	30	9	SS8110560SP	4	80	WP0450801SD	12	17
SS6150610SP	74	35	SS8111010TP	12	3	WP0450801SD	36	76
SS6150710SP	16	35	SS8111610SP	12	39	WP0450801SD	40	40
SS6151220SP	20	32	SS8150432TH	36	69	WP0450801SD	44	25
SS6151412TP	12	8	SS8150822TP	42	48	WP0450801SD	48	32
SS6151712TP	30	14	SS8151550SP	12	15	WP0450801SD	70	42
SS6151812TP	28	17	SS8660512TP	24	46	WP0450846SP	22	69
SS6153040SP	32	50	SS8660530TP	36	74	WP0450846SP	78	56
SS6621220SP	28	24	SS8660610TP	14	46	WP0501016SD	30	39
SS6681712TP	12	9	SS8660610TP	16	39	WP0501016SD	40	65
SS7060310SP	78	53	SS8660612TP	24	45	WP0501016SD	42	65
SS7080510TP	12	44	SS8660612TP	36	75	WP0520656SA	10	21
SS7090410SP	22	65	SS8661012TP	14	50	WP0531000SC	50	16
SS7090620TP	30	15	SS8661030SP	14	70	WP0531000SD	20	35
SS7090850SP	48	29	SS8661112TP	26	48	WP0531000SD	38	10
SS7090910SP	70	11	SS8661112TP	36	77	WP0550800SP	36	78
SS7091110SP	16	36	SS9090833TP	14	48	WP0550800SP	44	46
SS7110510SP	20	33	SS9090833TP	24	41	WP0561616SC	28	29
SS7110510SP	40	39	SS9110453TP	26	49	WP0561616SC	54	51
SS7110570SP	26	62	SS9110920CP	10	16	WP0611626SP	40	35
SS7110710SP	4	79	SS9111020TP	2	21	WP0612066SP	16	32
SS7110710SP	40	30	SS9121010TP	10	17	WP0621016SD	4	82
SS7110710SP	44	26	SS9151120CP	38	9	WP0621016SD	26	50
SS7110740TP	22	66	SS9151120CP	42	49	WP0621016SD	38	11
SS7110740TP	78	55	SS9151240SN	10	19	WP0621016SD	42	66
SS7110840SP	4	62	SS9661230CP	12	45	WP0621026SP	42	67
SS7110840SP	18	47	TA0750704R0	4	64	WP0641600SC	78	65
SS7110840SP	20	34	TA0850604R0	2	85	WP0650876SD	74	31
SS7110840SP	28	35	TA0850604R0	4	85	WP0651056SD	42	52
SS7110840SP	30	26	TA1050504R0	4	86	WP0651056SH	2	23
SS7110840SP	44	45	TA1250406R0	4	87	WP0740516SP	70	45
SS7110840SP	78	64	TA1470704R0	4	81	WP0841601SC	10	22
SS7111120TP	8	28	TA2100904R0	4	88	WP0841601SC	52	23
SS7111410TP	16	37	WP0320500SC	60	14	WP0871602SE	52	50
SS7150910TP	42	50	WP0320500SD	36	82	WP0871602SE	54	50
SS7151120SP	12	42	WP0320501SD	36	81	WP0952616SD	20	36
SS7151210SP	42	64	WP0330501SB	8	29	WP1221016SP	26	51
SS7661540SP	16	38	WP0371016SD	28	28	WP1252210SC	26	52
SS8090410SP	4	63	WP0430800SC	18	61	WP1302501SC	52	25
SS8090410SP	26	58	WP0430801SC	4	65	WP1302501SE	10	23

## NUMERICAL INDEX OF PARTS

PART NO	PAGE	REF NO.
WP1612616SE	56	15
WP1702616SE	52	26
WS0410002KN	58	19
WS0861410KR	52	27
WS1253010KN	10	24
WS1253010KN	52	28
WZ1250300K0	26	54
WZ1250300K0	36	79
WZ1590390KP	34	42