

MODEL : AMS-220C/AMS-220P

List No : 1094-01

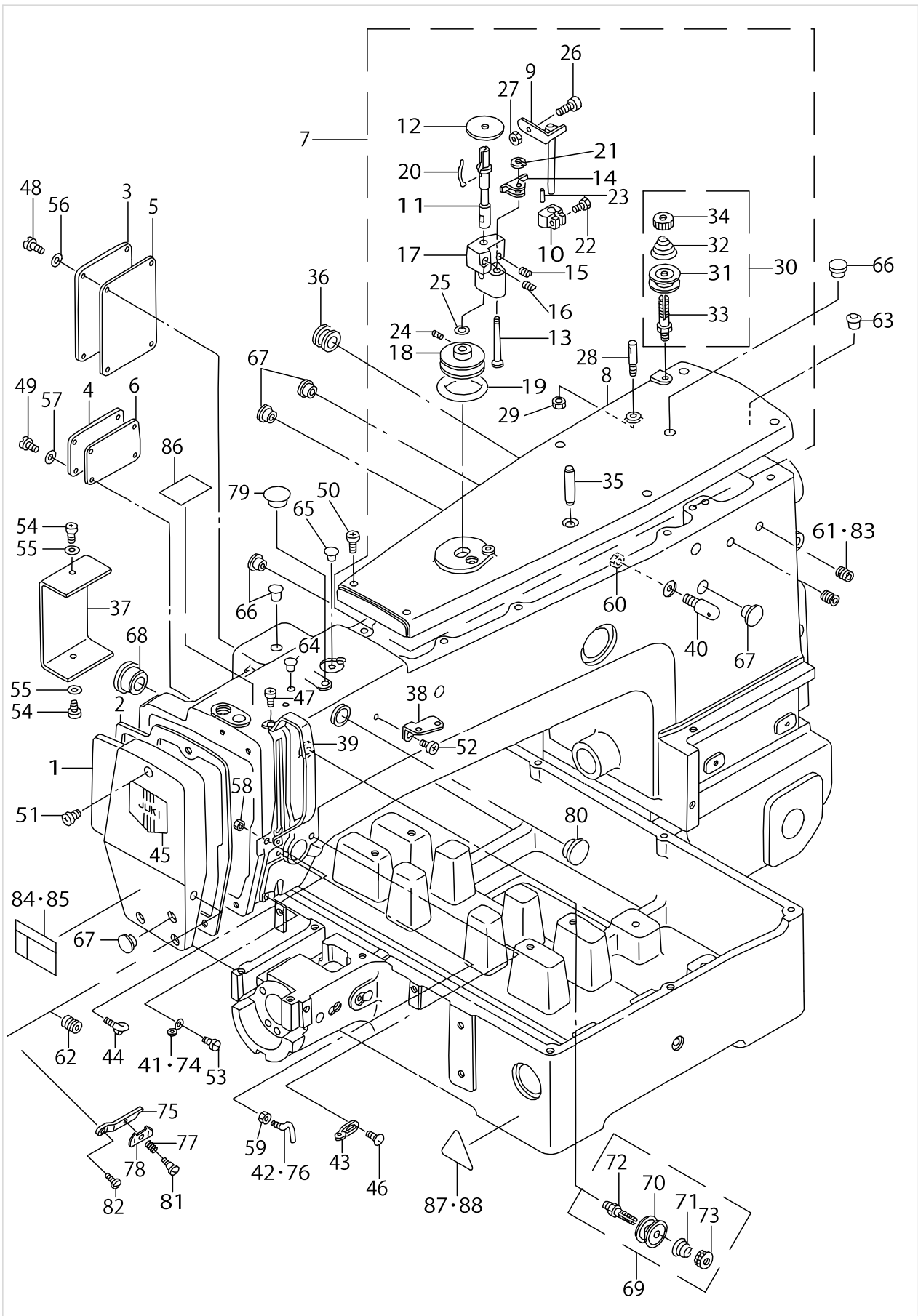
PARTS LIST

Published:05/12/2017

CONTENTS

FRAME & MISCELLANEOUS COVER COMPONENTS (1)	1
FRAME & MISCELLANEOUS COVER COMPONENTS (2)	5
FRAME & MISCELLANEOUS COVER COMPONENTS (3)	7
MAIN SHAFT & NEEDLE BAR COMPONENTS	9
PRESSER MECHANISM COMPONENTS	13
SHUTTLE DRIVER SHAFT COMPONENTS	17
WIPER MECHANISM COMPONENTS	23
TENSION RELEASE & TEREAD TRIMMER MECHANISM COMPONENTS	25
X-Y COMPONENTS (1)	29
X-Y COMPONENTS (2)	31
CLOTH FEED MECHANISM COMPONENTS	33
LUBRICATION COMPONENTS	37
SENSOR COMPONENTS	41
PNEUMATIC COMPONENTS	43
TABLE COMPONENTS	45
THREAD STAND COMPONENTS	49
CONTROL COMPONENTS	51
OPERATION BOX COMPONENTS	53
CIRCUIT BOARD COMPONENTS	55
POWER SUPPLY & CORD COMPONENTS	57
PEDAL & ELECTRIC EQUIPMENT ACCESSORIE PART COMPONENTS	59
ACCESSORIE PART COMPONENTS	61
OPTIONAL PART COMPONENTS	63
AMS-220P EXCLUSIVE PART COMPONENTS	65
HOW TO MAKE USE OF THIS PARTS LIST	71

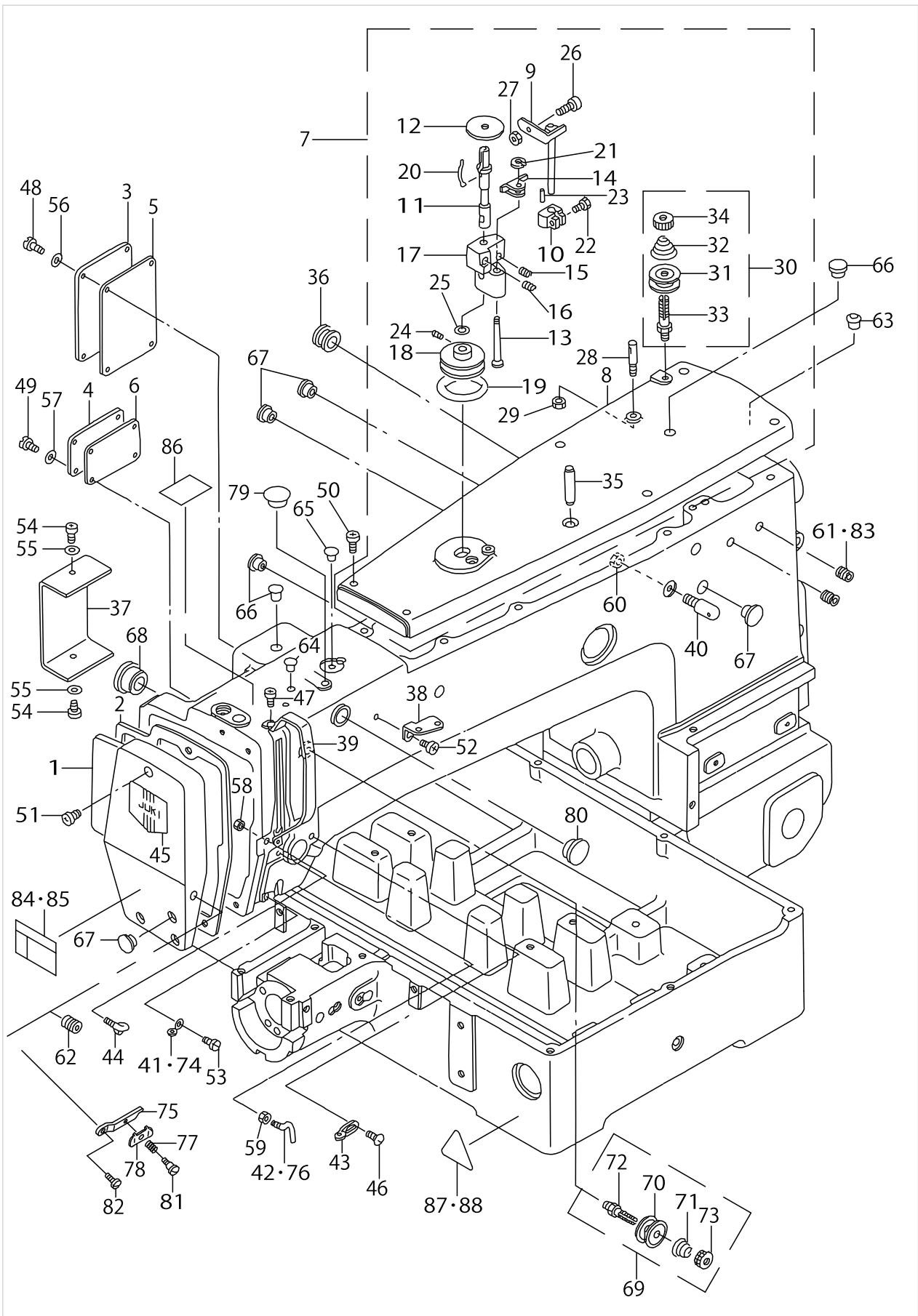
FRAME & MISCELLANEOUS COVER COMPONENTS (1)



FRAME & MISCELLANEOUS COVER COMPONENTS (1)

No.	Supply Code	Parts No.	Replacement	Parts name	Remarks	Choice	Step	Level	Cons	Qty	Rep. QTY
1	D R	B110522000A	B11052200AA	FACE PLATE						1	1.00
2		B1117220000		FACE PLATE GASKET						1	
3		B112222000B		COVER (A)						1	
4		B112322000B		COVER (B)						1	
5		B1124220000		GASKET A						1	
6	D	B1125220000		GASKET B						1	
7	D	B11042200AB		TOP COVER ASM.						1	
8	D	B110422000B		TOP COVER				*		1	
9		B32012100A0		STOP LATCH ASM.				*		1	
10		B3203210000		CAM				*		1	
11		B3204210000		SPINDLE				*		1	
12		B3205210000		CUSHION				*		1	
13		B3206210000		SCREW STUD				*		1	
14		B3207210000		TRIP LATCH				*		1	
15		B3208210000		SPRING A				*		1	
16		B3209210000		SPRING B				*		1	
17		B3210210000		BOBBIN WINDER BASE				*		1	
18		B3211210000		BOBBIN WINDER WHEEL				*		1	
19		B3212210000		FRICITION WHEEL				*		1	
20		B3212761000		LATCH SPRING				*		1	
21		D2430555B00		SNAP RING				*		1	
22		SS9111020TP		SCREW 11/64-40L=10				*		1	
23		PS0150065KP		SPRING PIN 1.5X6				*		1	
24		SS8110520TP		SCREW 11/64-40 L= 4.5				*		2	
25		WP0651056SH		WASHER 6.5X11X1				*		1	
26		B3208280000		BOBBIN WINDER A-DJUSTING SCREW				*		1	
27		NS6110530SP		NUT 11/64-40				*		1	
28		10007003		THREAD GUIDE PIN				*		1	
29		NS6110310SP		NUT 11/64-40				*		1	
30	R	B11152320A0	26218651	FIRST THREAD TENSION ASM.				*		1	1.00
31	R	B3126012000	22921506	THREAD TENSION DISK				*		2	1.00
32		B1115232000		FIRST THREAD TENSION SPRING				*		1	
33	R	B3123352000	26220400	THREAD TENSION ROD				*		1	1.00
34	R	B3125012000	22928808	THREAD TENSION NUT				*		1	1.00
35		PS0800302KH		SPRING PIN 8X30				*		1	
36		B1126210000		WIRE BUSHING						1	
37		B112821000B		SWITCH COVER						1	
38	R	B1111232000	26211904	THREAD GUIDE PLATE						1	1.00
39	R	13816608	26211607	BALANCE COVER						1	1.00
40	R	B1123280000	26212001	FIRST THREAD GUIDE						1	1.00
41	R	B1124280000	26212100	ARM THREAD GUIDE B	FOR AMS-- 220CSS,CHS					1	1.00
42	R	B1125280000	26212209	L-SHAPED THREAD GUIDE A	FOR AMS-- 220CSS,CHS					1	1.00
43		B1126552000		ARM THREAD GUIDE A						1	
44		B3114771000		THREAD GUIDE						1	
45		B1178191000		FACE PLATE DRESSING TABLE						1	

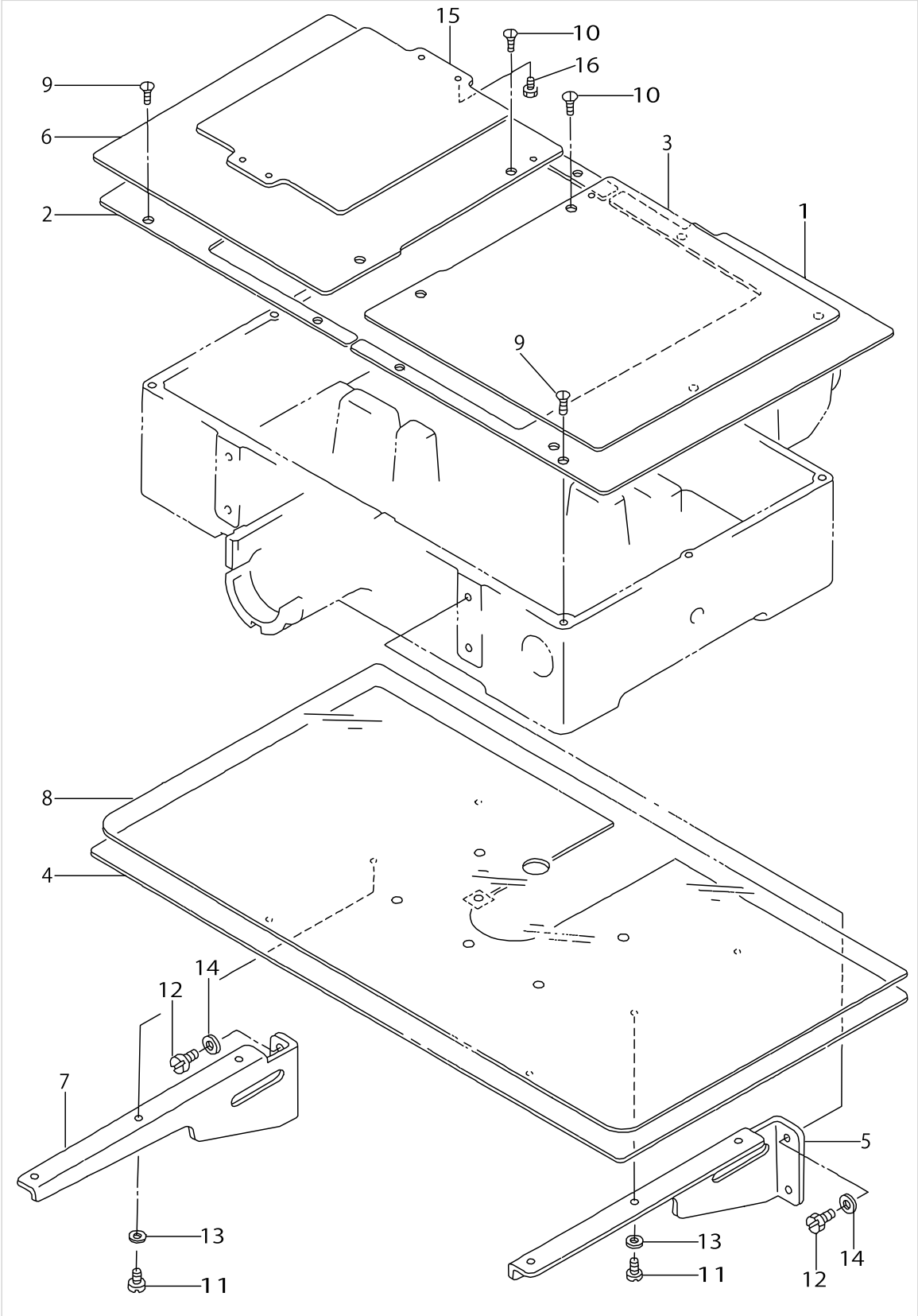
FRAME & MISCELLANEOUS COVER COMPONENTS (1)



FRAME & MISCELLANEOUS COVER COMPONENTS (1)

No.	Supply Code	Parts No.	Replacement	Parts name	Remarks	Choice	Step	Level	Cons	Qty	Rep. QTY
46		SS3090610SP		SCREW 9/64-40 L=6						1	
47		SS4090715SP		SCREW 9/64-40 L=7						2	
48		SS4110815SP		SCREW 11/64-40 L=8						4	
49		SS4110815SP		SCREW 11/64-40 L=8						4	
50		SS4111015SP		SCREW11/64-40L=10						6	
51		SS4111015SP		SCREW11/64-40L=10						3	
52		SS4150715SP		SCREW 15/64-28 L=7						1	
53		SS7110840SP		SCREW 11/64-40 L=7.8						1	
54		SM4040601SC		SCREW M4X0.7 L=6						2	
55		WP0430801SC		WASHER 4.3X9X0.8						2	
56		WP0450000SD		WASHER 4.5X8X0.5						4	
57		WP0450000SD		WASHER 4.5X8X0.5						4	
58		NS6090310SP		NUT 9/64-40						1	
59		NS6090310SP		NUT 9/64-40						1	
60		NS6150310SP		NUT 15/64-28						1	
61	D	SS8110560SP		SCREW 11/64-40 L=4.5	FOR AMS-- 220CSS,CHS					2	
62		SS8090410SP		SCREW 9/64-40L=3.5	FOR AMS-- 220CSS,CHS					1	
63	R	B1405012000	22901409	CAP						1	1.00
64		TA0750704R0		RUBBER PLUG						1	
65		TA0850604R0		RUBBER PLUG						1	
66		TA1050504R0		RUBBER PLUG						3	
67		TA1250406R0		RUBBER PLUG D=12.5 L=4						4	
68		TA2100904R0		RUBBER PLUG						1	
69	R	B11152320A0	26218651	FIRST THREAD TENSION ASM.						1	1.00
70	R	B3126012000	22921506	THREAD TENSION DISK				*		2	1.00
71		B1115232000		FIRST THREAD TENSION SPRING				*		1	
72	R	B3123352000	26220400	THREAD TENSION ROD				*		1	1.00
73	R	B3125012000	22928808	THREAD TENSION NUT				*		1	1.00
74		B1129210000		FRAME THREAD GUIDE (B)	FOR AMS-220CGS					1	
75	D	B1145210000		INSTALLING BASE	FOR AMS-220CGS					1	
76		B3118771000		TENSION THREAD GUIDE, NO.2	FOR AMS-220CGS					1	
77		B1132521000		THREAD PRESSER PLATE SPRING	FOR AMS-220CGS					1	
78		10129104		THREAD PRESSER PLATE	FOR AMS-220CGS					1	
79		TA0750704R0		RUBBER PLUG	FOR AMS-220CGS					1	
80		TA1470704R0		RUBBER PLUG	FOR AMS-220CGS					1	
81		SD0380551SL		HINGE SCREW D= 3.80 H= 5.5	FOR AMS-220CGS					1	
82	R	SS7090910SP	SS7090910TP	SCREW 9/64-40 L= 8.5	FOR AMS-220CGS					1	1.00
83		SS7110840SP		SCREW 11/64-40 L=7.8	FOR AMS-220CGS					2	
84		CM300200301		SAFETY LABEL, 5(SMALL).	FOR DOME- STIC USE					1	
85		CM3002003A1		SAFETY LABEL.,6 (SMALL).	FOR EXPO- RT(EXCEPT JE)					1	
86	D	B1143210000		LABEL	FOR JE					1	
87		CM3002000B2		LABEL(25).	FOR DOME- STIC USE					1	
88		CM300200002		CAUTION LABEL(25)	FOR JE					1	

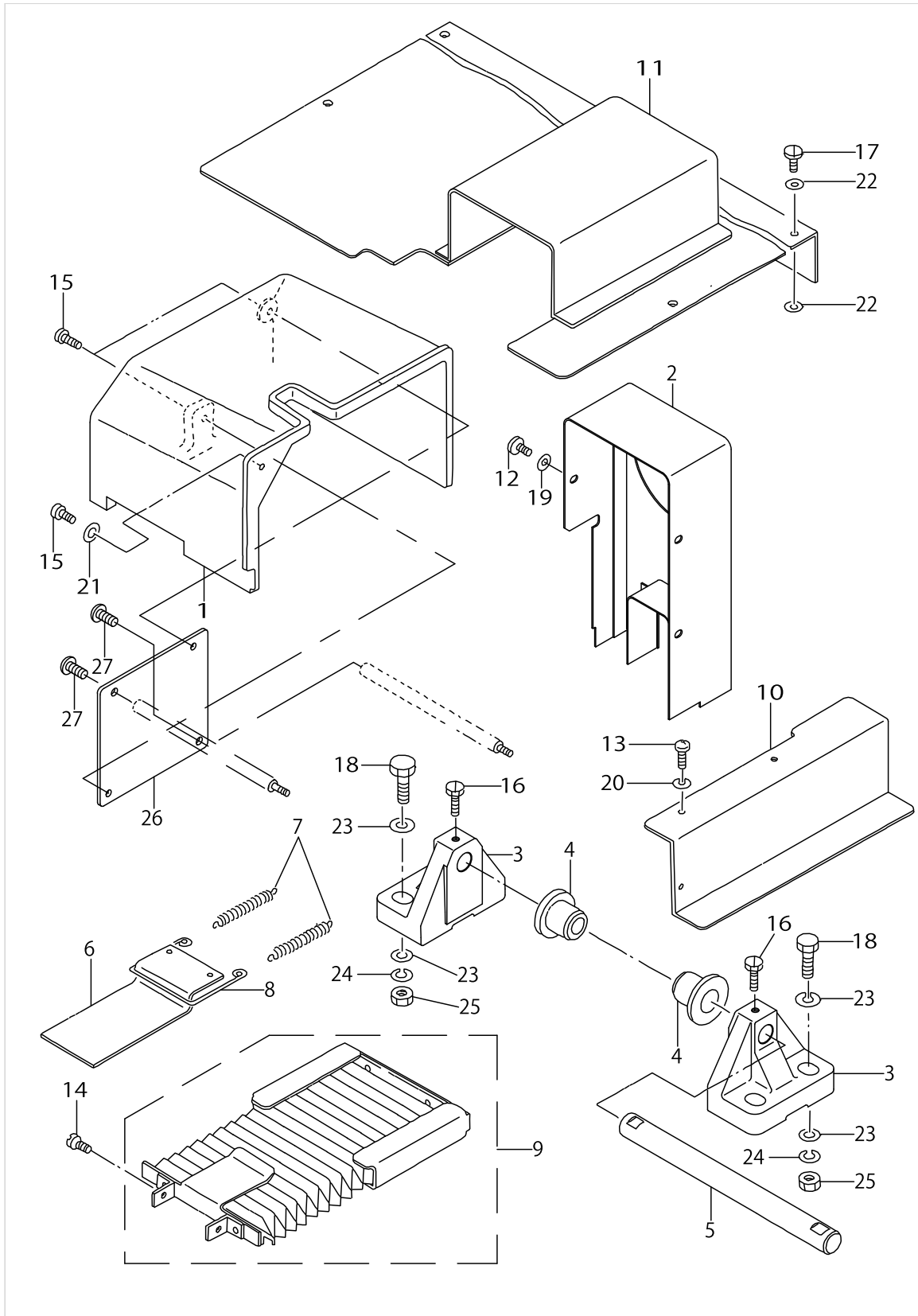
FRAME & MISCELLANEOUS COVER COMPONENTS (2)



FRAME & MISCELLANEOUS COVER COMPONENTS (2)

No.	Supply Code	Parts No.	Replacement	Parts name	Remarks	Choice	Step	Level	Cons	Qty	Rep. QTY
1	D	B1108220000		RIGHT COVER						1	
2		B1109220000		LEFT COVER						1	
3	D	B111022000A		AUXILIARY COVER, RIGHT						1	
4		B1112220000		NEEDLE PLATE AUXILIARY COVER						1	
5	D	B1113220000		AUXILIARY COVER SUPPORT, RIGHT						1	
6	D	B111822000A		AUXILIARY COVER, LEFT						1	
7		B1121220000		AUXILIARY COVER SUPPORT, LEFT						1	
8	D	B1170220000		AUXILIARY COVER SHEET						1	
9		SS1110840SP		SCREW 11/64-40 L=8						10	
10		SS1110840SP		SCREW 11/64-40 L=8						4	
11		SS6110610TP		SCREW 11/64-40 L=6						6	
12		SS9151160CP		SCREW 15/64-28 L=10.5						4	
13		WP0520656SA		WASHER 5.2X9.5X0.6						6	
14		WP0621016SD		WASHER 6.2X13X1						4	
15	D	B1502220000		PRESSER PLATE						1	
16		SS9151120CP		SCREW15/64-28L=11						4	

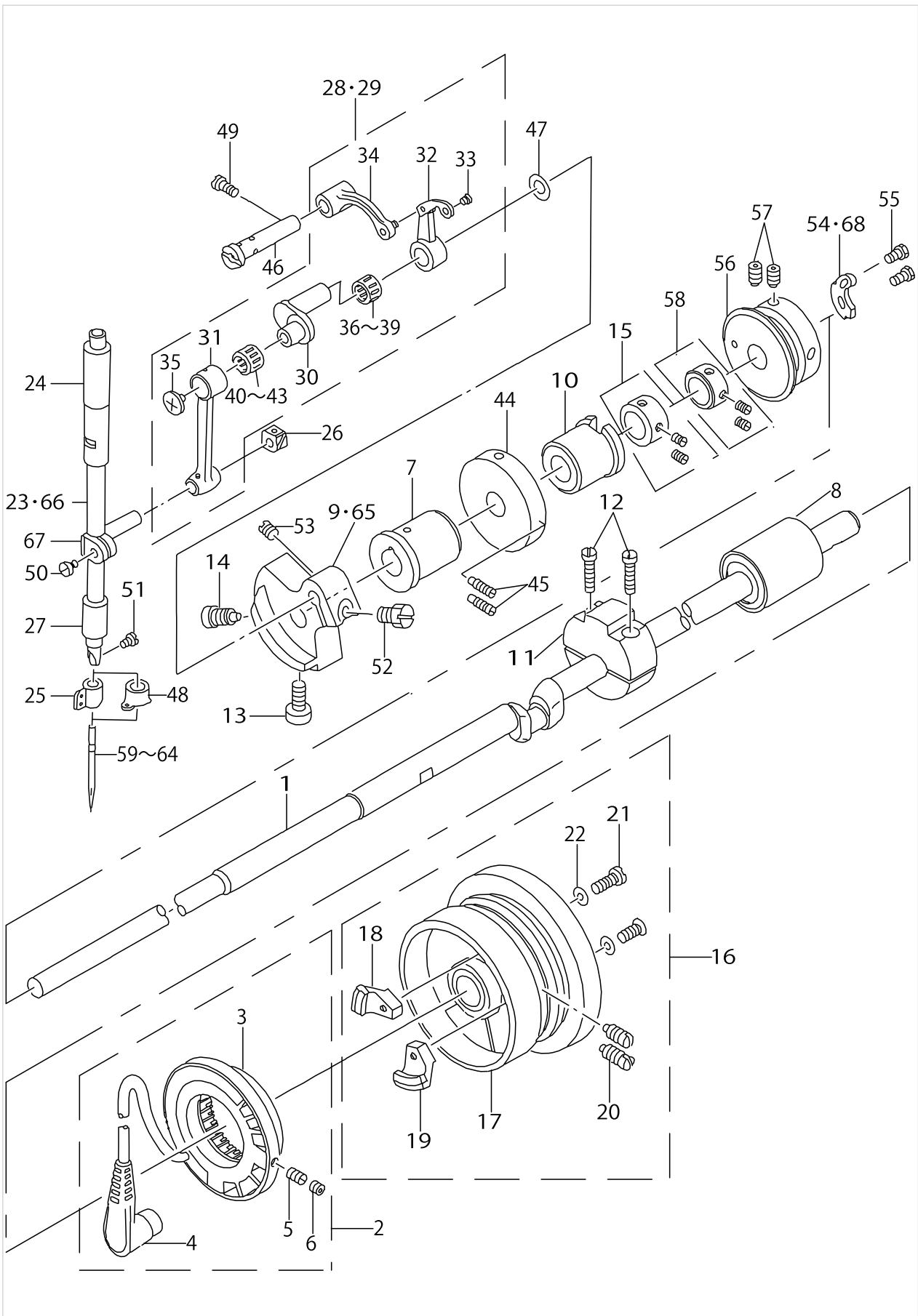
FRAME & MISCELLANEOUS COVER COMPONENTS (3)



FRAME & MISCELLANEOUS COVER COMPONENTS (3)

No.	Supply Code	Parts No.	Replacement	Parts name	Remarks	Choice	Step	Level	Cons	Qty	Rep. QTY
1	D	B110622000B		SIDE COVER						1	
2		B1107220A00		BELT COVER						1	
3		B1111220000A		BED HINGE						2	
4		B1115220000		RUBBER PAD A						2	
5	D	B1120220000		BED HINGE SHAFT						1	
6	D	B1150220000		MOVEMENT COVER A						1	
7	D	B1151220000		TENSION SPRING						2	
8	D	B1152220000		TENSION WIRE						1	
9	D	B11532200A0		MOVEMENT COVER B ASM.						1	
10	D	B115822000B		Y SENSOR COVER						1	
11		B1159220A00		TABLE REAR COVER						1	
12		SS4110715SP		SCREW 11/64-40 L=7						3	
13		SS4110715SP		SCREW 11/64-40 L=7						3	
14		SS4110715SP		SCREW 11/64-40 L=7						2	
15		SS4111015SP		SCREW 11/64-40 L=10						3	
16		SS9151240SN		SCREW 15/64-28 L=11.5						2	
17		SM5051400SC		SCREW M5 L=14						4	
18		SM9124503SB		SCREW M12 L=45						4	
19		WP0450801SD		WASHER 4.5X10X0.8						3	
20		WP0450801SD		WASHER 4.5X10X0.8						4	
21		WP0450801SD		WASHER 4.5X10X0.8						1	
22		WP0841601SC		WASHER 8.4X17.4X1.6						8	
23		WP1302501SE		WASHER M12						8	
24		WS1253010KN		SPRING WASHER 12.5X21.5X3						4	
25		NM6120011SF		NUT M12						4	
26	D	B1130215000		SIDE COVER SPACER						1	
27		SS7110710SP		SCREW 11/64-40 L=7						2	

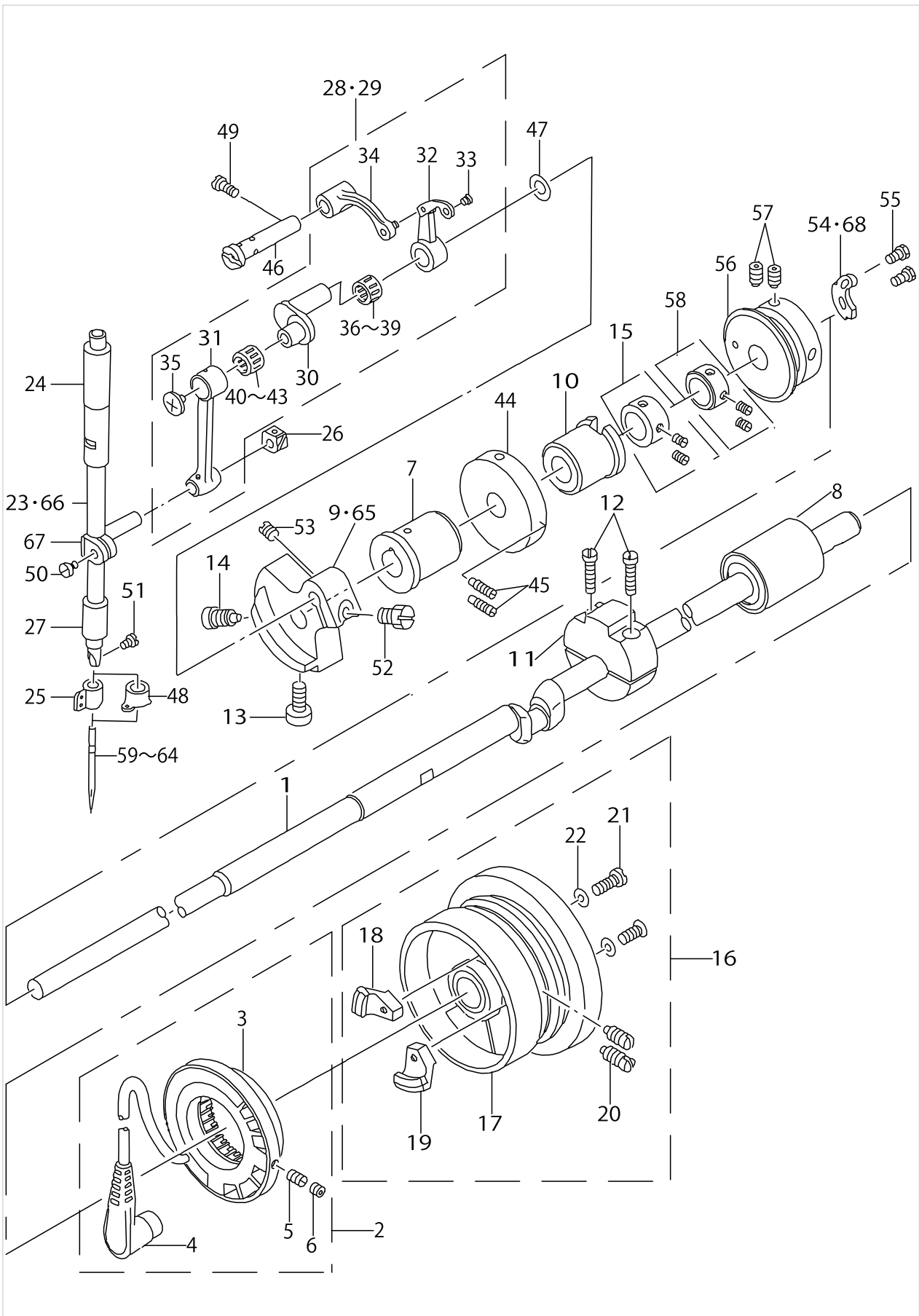
MAIN SHAFT & NEEDLE BAR COMPONENTS



MAIN SHAFT & NEEDLE BAR COMPONENTS

No.	Supply Code	Parts No.	Replacement	Parts name	Remarks	Choice	Step	Level	Cons	Qty	Rep. QTY
1	D	B1201220000		MAIN SHAFT						1	
2		B12092200A0		GENERATOR STATOR ASM.						1	
3	D	M40051100A0		STATOR ASM.				*		1	
4		B12102200A0		SYNCHRONIZE BOARD				*		1	
5		SS8111010TP		SCREW 11/64-40 L=9.5				*		2	
6		SS8110422TP		SCREW 11/64-40 L=4				*		2	
7		B1202210000		BUSHING, FRONT						1	
8		B12042100A0		BUSHING, REAR						1	
9	D	B1206210000		COUNTERWEIGHT						1	
10	D	B35142100A0		OIL WICK ASM.						1	
11	D	B1207205000		CRANK BALANCER						1	
12		SS6122510SP		SCREW 3/16-28 L=25						2	
13		SS6151412TP		SCREW 15/64-28 L=14						1	
14		SS6681712TP		SCREW 9/32-28 L=16.5						1	
15		CS147121ESH		THRUST COLLAR A- SM.D=14.72 W=12						1	
16		B12052100BA		HAND WHEEL ASM.						1	
17	R	B12052100AA	B12052100BA	HAND WHEEL ASM.				*		1	1.00
18		M40071100AB		MAGNET FITTING BASE B ASM.				*		1	
19		B12082100A0		SOLENOID INSTALL- ING PLATE ASM.				*		1	
20		SS8151550SP		SCREW 15/64-28 L=15				*		2	
21		SS6111210SP		SCREW 11/64-40 L=12				*		2	
22		WP0450801SD		WASHER 4.5X10X0.8				*		2	
23		B1401210000		NEEDLE BAR						1	
24	R	B1402280000	26203208	NEEDLE ROD METAL						1	1.00
25		B1405210000		THREAD GUIDE A	FOR 220CSS-5000					1	
26		B1414232000		SQUARE BLOCK						1	
27		B1403280000		NEEDLE ROD LOWER METAL						1	
28	R	B19012100B0	B19012100C0	THREAD TAKE-UP LEVER ASM.	FOR 220CGS					1	1.00
29		B19012800B0		LINK BALANCE ASM.						1	
30		B1203280000		NEEDLE ROD CRANK				*		1	
31		B1404280000		NEEDLE BAR CRANK ROD				*		1	
32	R	B1901280000	B19012800A0	THREAD TAKE-UP LEVER				*		1	1.00
33	R	B1902280000	B19012800A0	THREAD HANDLING AREA BUSH				*		1	1.00
34	R	B1903280000	B19012800A0	THREAD TAKE-UP CRANK				*		1	1.00
35		B1903552000		LEFT SCREW				*		1	
36		B1905541A00		NEEDLE BEARING, A	SELECTIVE PART			*		1	
37		B1905541B00		NEEDLE BEARING	SELECTIVE PART			*		1	
38		B1905541C00		NEEDLE BEARING	SELECTIVE PART			*		1	
39		B1905541D00		NEEDLE BEARING	SELECTIVE PART			*		1	
40		B1411804A00		BEARING (A)	SELECTIVE PART			*		1	
41		B1411804B00		NEEDLE DRIVING L- EVER BEARING B	SELECTIVE PART			*		1	
42		B1411804C00		NEEDLE DRIVING L- EVER BEARING C	SELECTIVE PART			*		1	
43		B1411804D00		BEARING (D)	SELECTIVE PART			*		1	
44		B3213205000		BOBBIN WINDER DRIVING WHEEL						1	
45		SS8111610SP		SCREW 11/64-40 L=15.5						2	

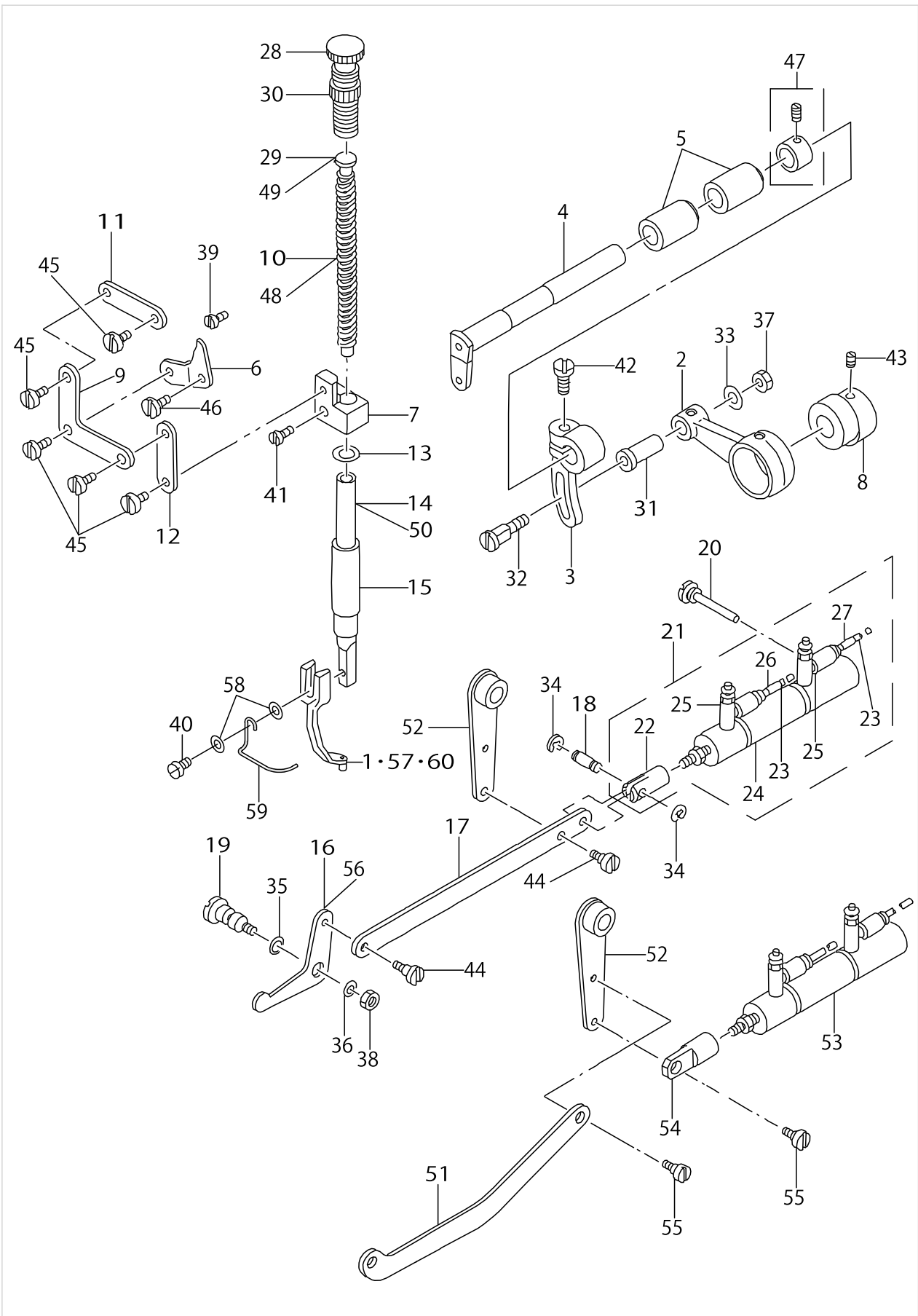
MAIN SHAFT & NEEDLE BAR COMPONENTS



MAIN SHAFT & NEEDLE BAR COMPONENTS

No.	Supply Code	Parts No.	Replacement	Parts name	Remarks	Choice	Step	Level	Cons	Qty	Rep. QTY
46		B1904280000		BALANCE CRANK PIN						1	
47		B1223771000		NEEDLE ROD CRANK WASHER						1	
48	R	B1406210000	40026884	THREAD GUIDE	FOR 220CHS-5000					1	1.00
49		SS7151120SP		SCREW 15/64-28L=11						1	
50		SS6090670TP		SCREW 9/64-40 L=6						1	
51		SS7080510TP		SCREW 1/8-44 L=4.5						1	
52		SS9661230CP		SCREW 1/4-40 L=12						1	
53		SS8660610TP		SCREW 1/4-40 L=6						1	
54		B2312220000		TENSION RELEASE NOTCH						1	
55		SS9090833TP		SCREW						2	
56		B2401205000		THREAD TRIMMER CAM						1	
57		SS8661012TP		SCREW						2	
58		CS1470710SH		THRUST COLLAR A- SM. D=14.72 W=7						1	
59		MDP500B1400		NEEDLE DPX5 #14	FOR 220C- SS-5000(E- XCEPT JE)					1	
60		MC200501000		NEEDLE #100	FOR 220C- SS-5000(FOR JE)					1	
61		MDP170B1800		NEEDLE DPX17 #18	FOR 220C- HS-5000(E- XCEPT JE)					1	
62		MC372001100		NEEDLE 135X17 #110	FOR 220C- HS-5000(FOR JE)					1	
63		MDP170B2300		NEEDLE DPX17 #23	FOR 220CGS					1	
64		MC372001600		NEEDLE SY3355 160	FOR 220C- GS(FOR JE)					1	
65		B1206210A00		COUNTERWEIGHT	FOR 220CGS					1	
66		B1401210A00		NEEDLE BAR	FOR 220CGS					1	
67		B14115520A0		NEEDLE BAR CONNECTING ASM.						1	
68		B2312210A00		TENSION RELEASE NOTCH	FOR 220CGS					1	

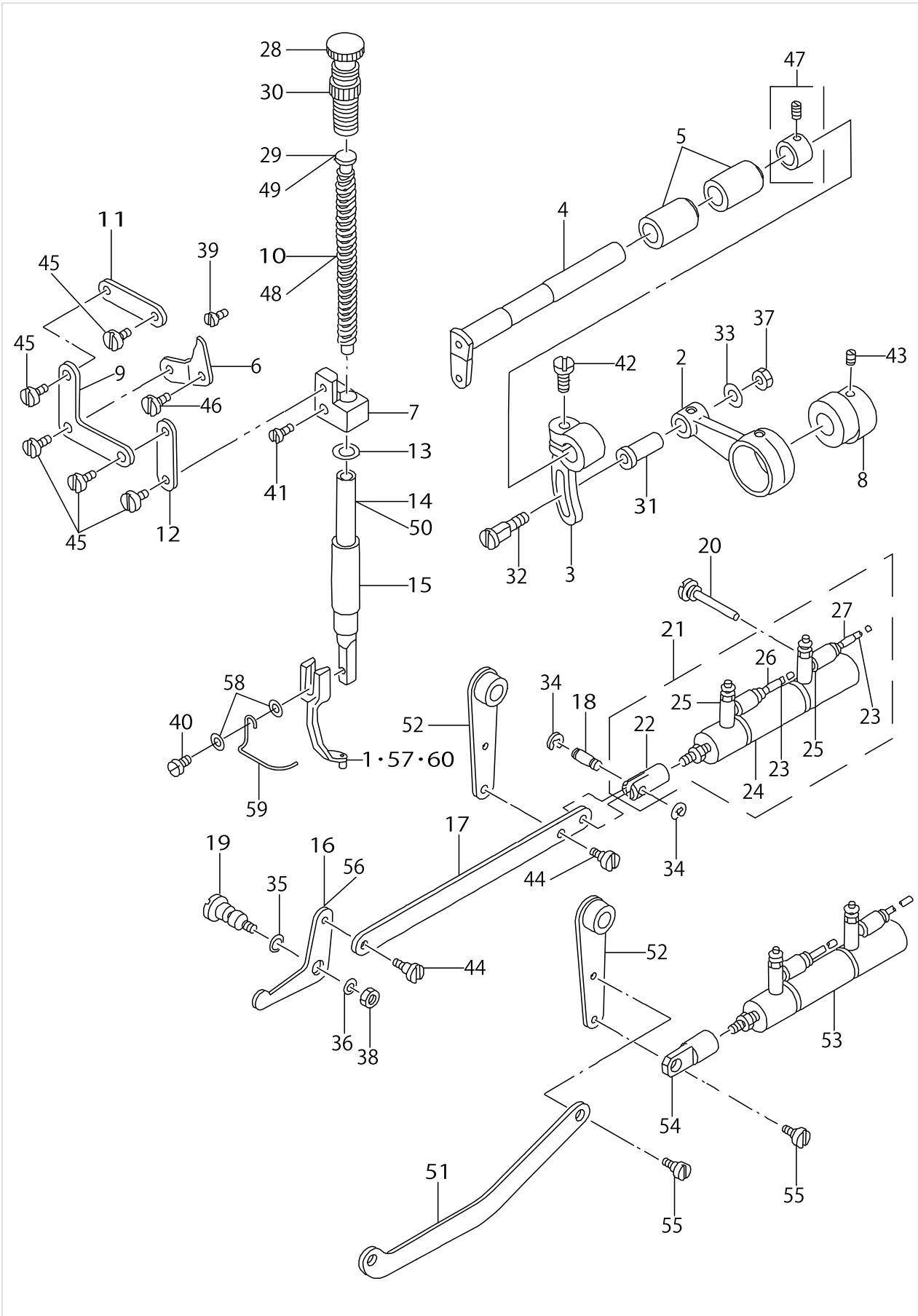
PRESSER MECHANISM COMPONENTS



PRESSER MECHANISM COMPONENTS

No.	Supply Code	Parts No.	Replacement	Parts name	Remarks	Choice	Step	Level	Cons	Qty	Rep. QTY
1		B1601220000		INTERMEDIATE PRESSER A						1	
2		B1602220000		INTERMEDIATE PRESSER ROD						1	
3		B1603220000		INTERMEDIATE PRESSER ROD ARM						1	
4		B1604220000		INTERMEDIATE PRESSER SHAFT						1	
5		B1605220000		INTERMEDIATE PRESSER BUSHING						2	
6		B1606220000		POSITIONING LINK						1	
7	R	B1608220000	B16082200A0	GUIDE BRACKET						1	1.00
8		B1609220000		CAM						1	
9		B1610220000		L-SHAPED LINK						1	
10		B1611220000		SPRING	FOR 220CSS-5000					1	
11		B1612220000		SUSPENSION LINK A						1	
12		B1613220000		SUSPENSION LINK B						1	
13		B1614220000		SPACER						1	
14		B1615220000		PRESSER BAR	FOR 220CSS-5000					1	
15		B1616220000		PRESSER BAR BUSHING, LOWER						1	
16		B1620220000		LIFTING LINK						1	
17	D	B1621220000		CONNECTING LINK	FOR 220CSS-5000					1	
18		B1626220000		CYLINDER PIN	FOR 220CSS-5000					1	
19		B1627220000		LINK PIVOT PIN						1	
20	D	B1628220000		CYLINDER SUPPORT SCREW						1	
21	D	B16242200A0		CYLINDER ASM.	FOR 220CSS-5000					1	
22		B1625220000		CYLINDER KNUCKLE				*		1	
23	R	B471022000D	BT0400251ED	AIR TUBE D D=4				*		2	1.00
24		PA1601506A0		AIR CYLINDER				*		1	
25		PC010508000		SPEED CONTROLLER				*		2	
26		B471122000A		AIR TUBE LABEL J01				*		1	
27		B471122000B		AIR TUBE LABEL J02				*		1	
28		B1509227000		PRESSER SPRING REGULATOR						1	
29	R	B1510227000	22907703	PRESSER GUIDE BAR	FOR 220CSS-5000					1	1.00
30	R	11071701	22907554	NUT						1	1.00
31		D1455055B00		CONNECTING STUD						1	
32		D1456055B00		HINGE SCREW						1	
33		D1457055B00		WASHER						1	
34		RE0300000K0		E-RING 3	FOR 220CSS-5000					2	
35		RO048190100		RUBBER RING						1	
36		WP0612066SP		WASHER 6.1X11X2						1	
37		NS6110530SP		NUT 11/64-40						1	
38		NS6150430SP		NUT 15/64-28						1	
39		SS6150710SP		SCREW						1	
40	R	SS7091110SP	SS7091110TP	SCREW 9/64-40 L=10.5						1	1.00
41		SS7111410TP		SCREW 11/64-40L=14						1	
42		SS7661540SP		SCREW 1/4-40 L=15.0						1	
43		SS8660610TP		SCREW 1/4-40 L=6						2	
44		SD0640321SP		HINGE SCREW D= 6.35 H= 3.2	FOR 220CSS-5000					2	
45		SD0640321TP		HINGE SCREW D=6.35 H=3.2						5	

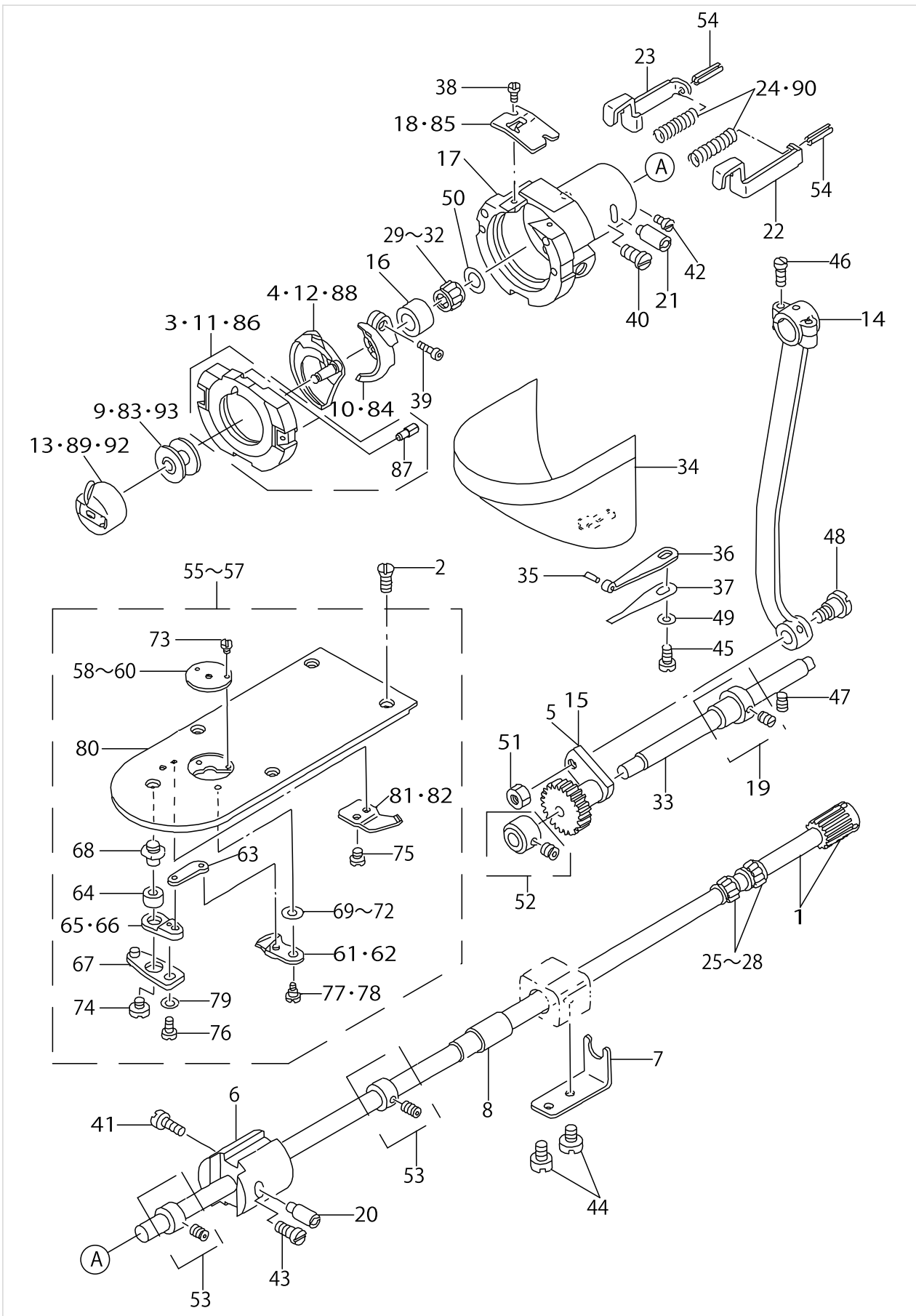
PRESSER MECHANISM COMPONENTS



PRESSER MECHANISM COMPONENTS

No.	Supply Code	Parts No.	Replacement	Parts name	Remarks	Choice	Step	Level	Cons	Qty	Rep. QTY
46		SD0720321TP		HINGE SCREW						1	
47		CS111101CSH		THRUST COLLAR A- SM.D=11.11 W=10						1	
48		B1611224000		SPRING	FOR 220CHS,CGS					1	
49		B1629224000		PRESSER GUIDE BAR	FOR 220CHS,CGS					1	
50		B1615224000		PRESSER BAR	FOR 220CHS,CGS					1	
51		B1621224000		CONNECTING LINK	FOR 220CHS,CGS					1	
52		B1622224000		CONNECTING LINK ARM						1	
53		PA1603003A0		INTERMEDIATE PRE- SSER CYLINDER	FOR 220CHS,CGS					1	
54		B1625224000		CYLINDER KNUCKLE	FOR 220CHS,CGS					1	
55		SD0640321SP		HINGE SCREW D= 6.35 H= 3.2	FOR 220CHS,CGS					2	
56		B1620224000		LIFTING LINK	FOR 220CHS,CGS					1	
57		B160122000G		INNER PRESSER G	FOR 220C- GS(EXCEPT CSS,CHS)					1	
58		WP0430800SC		WASHER M4						2	
59		B1634210000		FINGER GUARD						1	
60		B160122000H		INNER PRESSER, H	FOR220CHS					1	

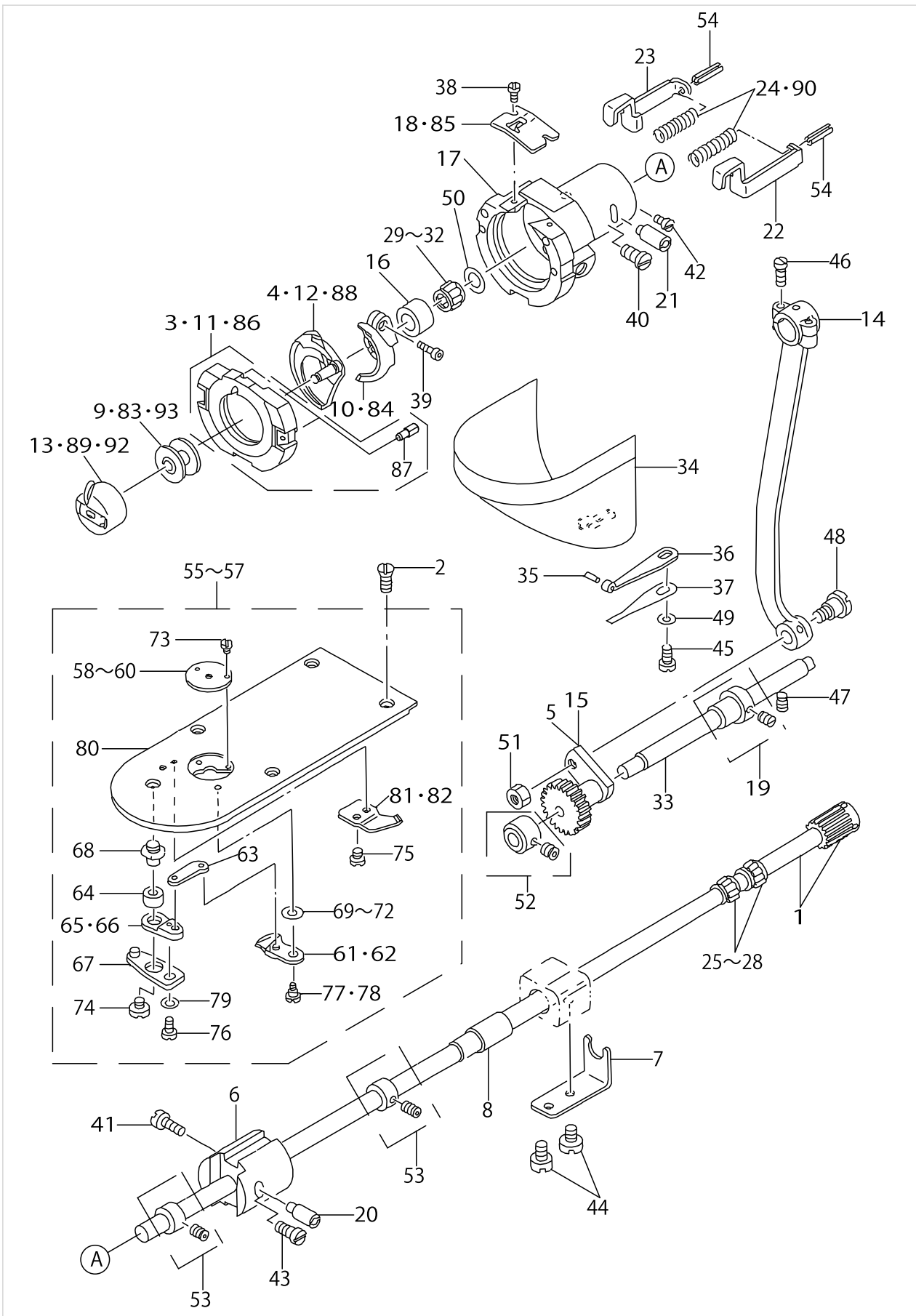
SHUTTLE DRIVER SHAFT COMPONENTS



SHUTTLE DRIVER SHAFT COMPONENTS

No.	Supply Code	Parts No.	Replacement	Parts name	Remarks	Choice	Step	Level	Cons	Qty	Rep. QTY
1	D	B18112200AA		SHUTTLE DRIVER SHAFT ASM. A						1	
2		SS1110640TP		SCREW 11/64-40 L= 5.5						4	
3		B18172050AB		SHUTTLE RACE RING ASM.	FOR 220CHS-5000					1	
4		B181820500B		SHUTTLE (H-TAPE)	FOR 220CHS-5000					1	
5		D1805MLBH00		OSCILLATING ROCK SHAFT	FOR 220CH,CG					1	
6		B1831220000		BUSHING, FRONT						1	
7	D	B1832220000		NEEDLE STOPPER						1	
8		13508403		LOWER SHAFT REAR METAL						1	
9		B1805205000		BOBBIN						1	
10	R	B1812205000	B18122050A0	SHUTTLE DRIVER						1	1.00
11		B18172050A0		SHUTTLE RACE RING ASM.	FOR 220CSS-5000					1	
12		B1818205000		SHUTTLE	FOR 220CSS-5000					1	
13		B18282050A0		BOBBIN CASE ASM.						1	
14		B1802210000		CRANK ROD						1	
15		B1805980000		OSCILLATOR	FOR 220CSS-5000					1	
16		B1813980000		SHUTTLE NEEDLE OUTER RING						1	
17		B1814980000		SHUTTLE						1	
18	R	B1815980000	26222109	SHUTTLE UPPER SPRING						1	1.00
19	R	B18042800A0	26221853	THRUST COLLAR ASM.						1	1.00
20	R	B1819280000	26222208	SHUTTLE RACE AD- JUSTING SHAFT						1	1.00
21	R	B1819280000	26222208	SHUTTLE RACE AD- JUSTING SHAFT						1	1.00
22	R	B1820280000	26222307	INNER HOOK PRESSER, RIGHT						1	1.00
23	R	B1821280000	26222406	INNER HOOK PRESSER, LEFT						1	1.00
24	R	B1823280000	26222505	INNER HOOK PRESSER SPRING						2	1.00
25		B1411804A00		BEARING (A)						2	
26		B1411804B00		NEEDLE DRIVING L- EVER BEARING B	SELECTIVE PART					2	
27		B1411804C00		NEEDLE DRIVING L- EVER BEARING C	SELECTIVE PART					2	
28		B1411804D00		BEARING (D)	SELECTIVE PART					2	
29		B1411804A00		BEARING (A)						1	
30		B1411804B00		NEEDLE DRIVING L- EVER BEARING B	SELECTIVE PART					1	
31		B1411804C00		NEEDLE DRIVING L- EVER BEARING C	SELECTIVE PART					1	
32		B1411804D00		BEARING (D)	SELECTIVE PART					1	
33	R	13508205	26203901	OSCILLATING SHAFT						1	1.00
34	R	13816855	40142674	CYLINDER ARM CAP						1	1.00
35		13508700		HOOK COVER PRE- SSER SPRING PIN						1	
36	R	13508809	26221101	HOOK COVER PRESSER SPRING A						1	1.00
37	R	13508908	26221200	HOOK COVER PRESSER SPRING B						1	1.00
38		SS6060410TP		SCREW 3/32-56 L=3.5						2	
39		SS6121212TP		SCREW 3/16-28 L=12.0						1	
40		SS6151220SP		SCREW 15/64-28 L=11.5						1	
41		SS6151220SP		SCREW 15/64-28 L=11.5						1	
42		SS7110510SP		SCREW 11/64-40 L=5						1	
43		SS7110510SP		SCREW 11/64-40 L=5						1	
44		SS7110710SP		SCREW 11/64-40 L=7						2	

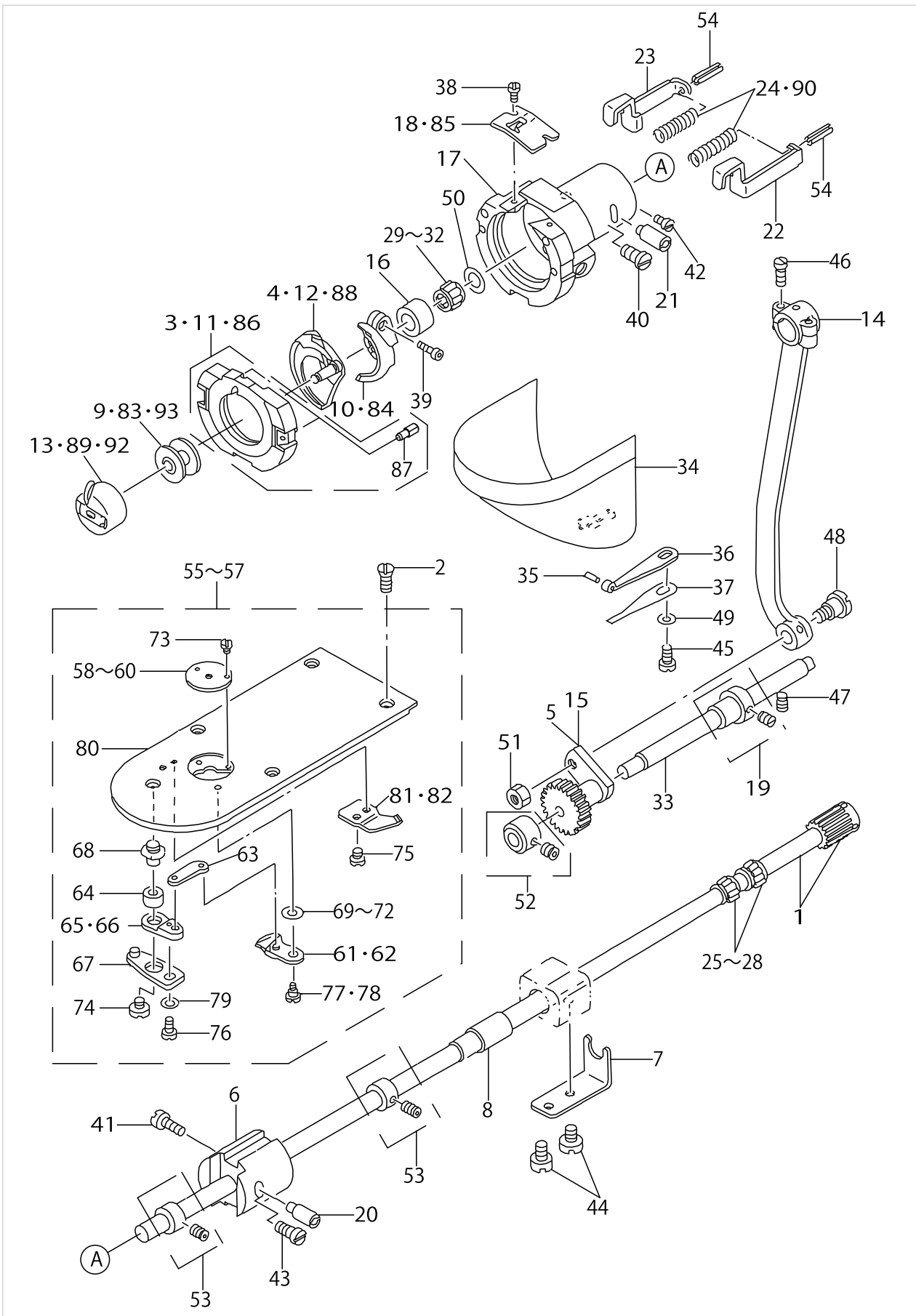
SHUTTLE DRIVER SHAFT COMPONENTS



SHUTTLE DRIVER SHAFT COMPONENTS

No.	Supply Code	Parts No.	Replacement	Parts name	Remarks	Choice	Step	Level	Cons	Qty	Rep. QTY
45		SS7110840SP		SCREW 11/64-40 L=7.8						1	
46		SS7111110TP		SCREW 11/64-40 L=10.5						2	
47		SS8150822TP		SCREW 15/64-28 L=8						1	
48		SD0801021TP		HINGE SCREW D= 8 H=10.2						1	
49		WP0531000SD		WASHER M5						1	
50		WP0952616SD		WASHER 9.5X14.8X2.6						1	
51		NS6660430SP		NUT 1/4-40						1	
52		CS079101FSH		THRUST COLLAR ASM.						1	
53		CS080081FSH		THRUST COLLAR ASM.						2	
54		PS0250162KH		SPRING PIN 2.5X16						2	
55	D	B24252240A0		NEEDLE PLATE ASM.	FOR 220CSS-5000					1	
56		B24252200AB		NEEDLE PLATE ASM. (H)	FOR 220CHS-5000					1	
57	D	B2425220AA0		THROAT PLATE ASM.	FOR 220CGS					1	
58		B242621000A		NEEDLE HOLE GUIDE D=1.6	FOR 220CSS-5000			*		1	
59		B242621000B		NEEDLE HOLE GUIDE D=2.0	FOR 220CHS-5000			*		1	
60		B242621000F		NEEDLE HOLE GUIDE D=3.0	FOR 220CGS			*		1	
61		B24212050A0		MOVING KNIFE ASM.				*		1	
62		B2421210AA0		MOVING KNIFE COMPL.	FOR 220CGS			*		1	
63		B2418280000		MOVING KNIFE LINK				*		1	
64		B2416280000		THREAD CUTTING LEVER RING				*		1	
65		B24152800A0		THREAD CUTTER L- EVER ASM., SMAL				*		1	
66		B24162100A0		THREAD CUTTER S- MALL LEVER ASM.	FOR 220CGS			*		1	
67		B24142800A0		THREAD CUTTER L- EVER ASM., LARG				*		1	
68		B2417280000		THREAD CUTTER LEVER SHAFT				*		1	
69		B242328000A		MOVING KNIFE WASHER A				*		1	
70		B242328000B		MOVING KNIFE WASHER B	SELECTIVE PART			*		1	
71		B242328000C		MOVING KNIFE WASHER C	SELECTIVE PART			*		1	
72		B242328000D		MOVING KNIFE WASHER D	SELECTIVE PART			*		1	
73		SS1060210TP		SCREW 3/32-56 L=2.2				*		2	
74		SS6110430TP		SCREW 11/64-40 L= 4.0				*		1	
75		SS7090410SP		SCREW 9/64-40 L=3.5				*		2	
76		SS7110740TP		SCREW 11/64-40 L=7				*		1	
77		SD0600101TP		HINGE SCREW				*		1	
78		B2417210000		MOVING KNIFE HINGE SCREW	FOR 220CGS			*		1	
79		WP0450846SP		WASHER				*		1	
80	D	B2425224000		NEEDLE PLATE				*		1	
81		B2424210000		COUNTER KNIFE				*		1	
82		B2424210A00		FIX KNIFE	FOR 220CGS			*		1	
83		B1805210A00		BOBBIN	FOR 220CGS					1	
84	R	B1812210000	B18122100A0	SCREW DRIVER	FOR 220CGS					1	1.00
85		B1815210000		INNER HOOK UPPER SPRING	FOR 220CGS					1	
86		B18172100AB		SHUTTLE RACE RING B ASM.	FOR 220CGS					1	
87		B1816210000		GUIDE PIN				*		2	
88		B1818210000		SHUTTLE	FOR 220CGS					1	
89		B18282100A0		BOBBIN CASE ASM.	FOR 220CGS					1	

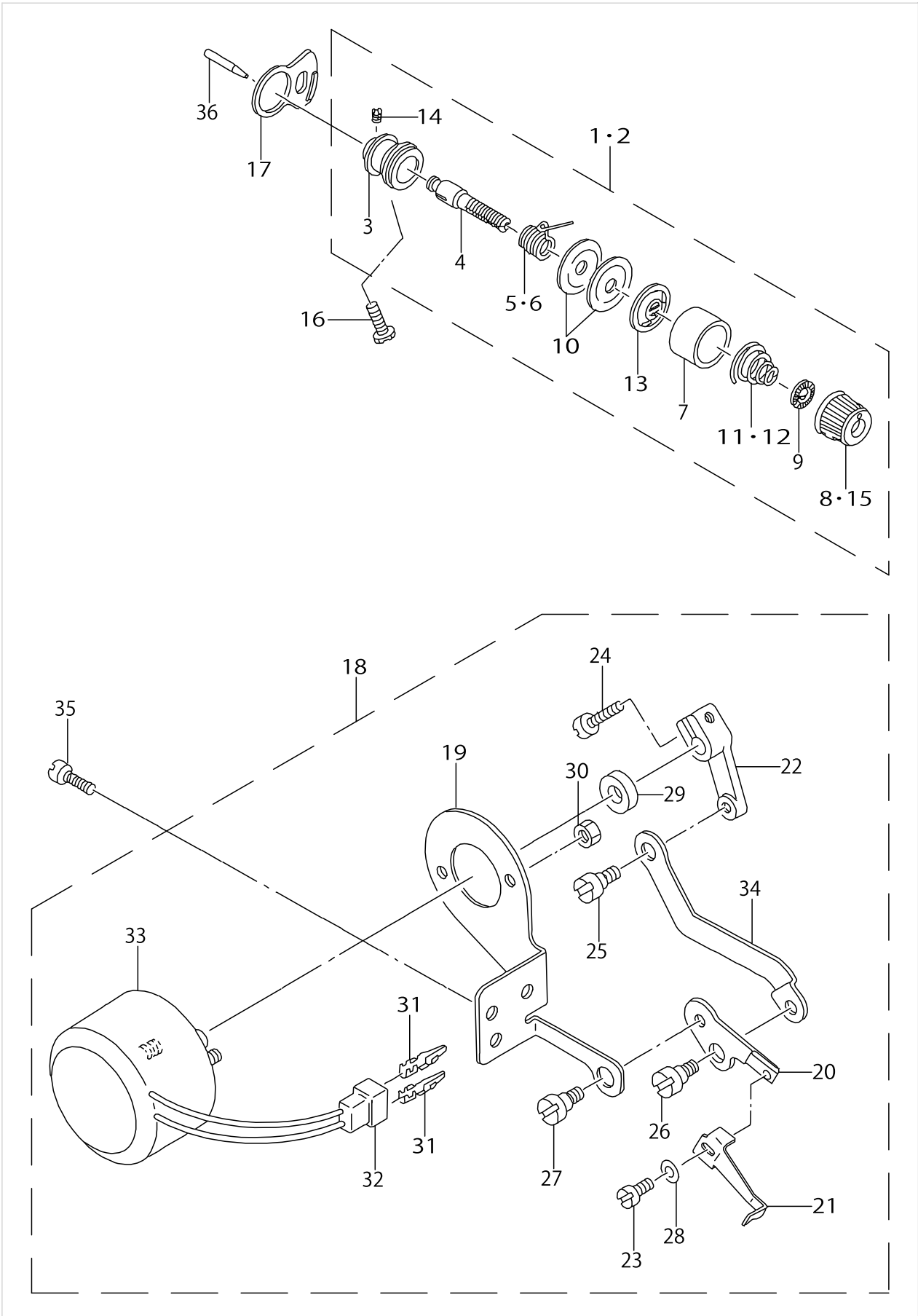
SHUTTLE DRIVER SHAFT COMPONENTS



SHUTTLE DRIVER SHAFT COMPONENTS

No.	Supply Code	Parts No.	Replacement	Parts name	Remarks	Choice	Step	Level	Cons	Qty	Rep. QTY
90		13512405		SPRING	FOR 220CH,CG					2	
91		B180520500B		BOBBIN.	FOR 220CHS-5000					1	
92		B18282050AA		BOBBIN CASE ASM.	FOR 220CHS-5000					1	
93		B180520500B		BOBBIN.	FOR 220CHS-5000					1	

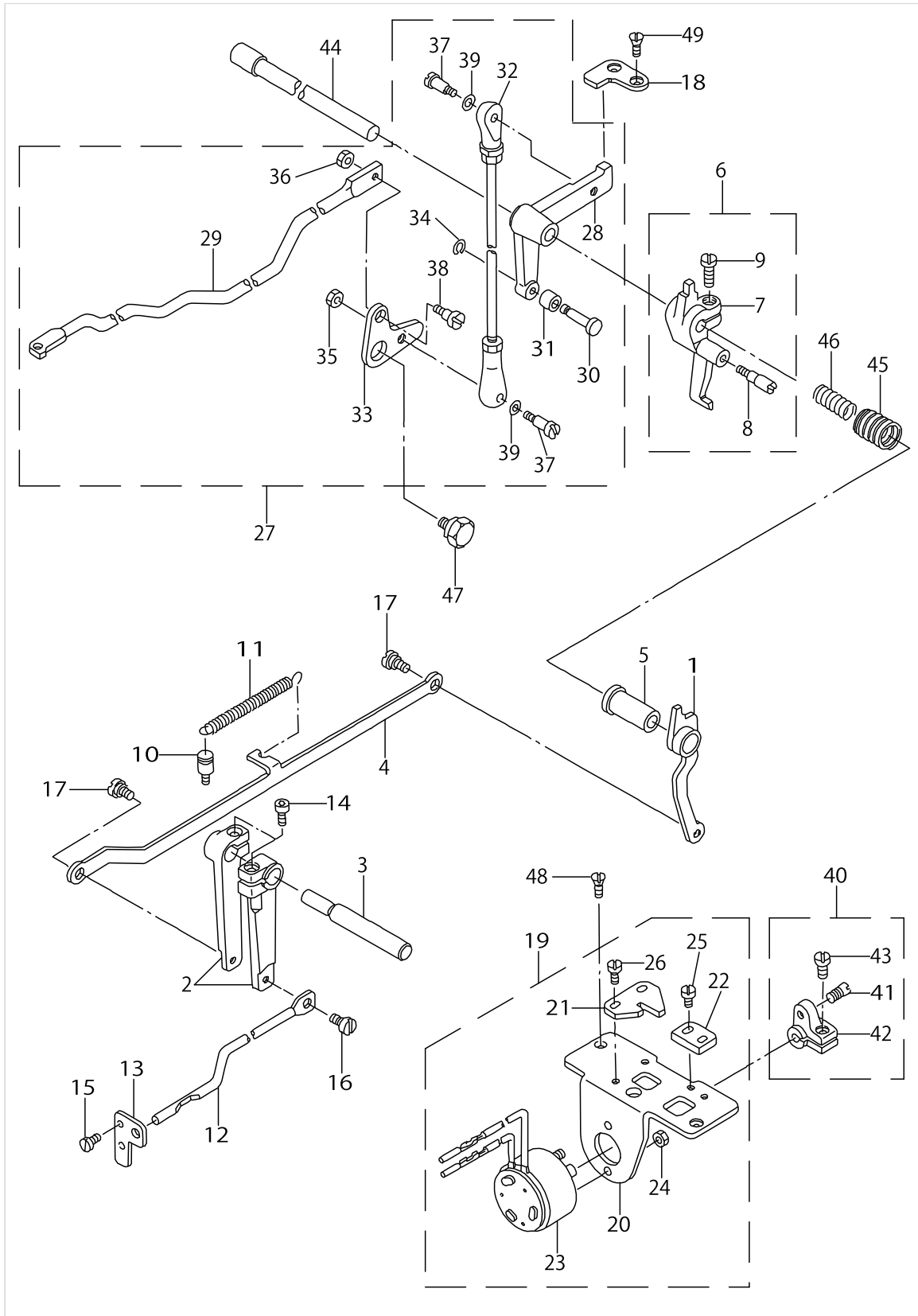
WIPER MECHANISM COMPONENTS



WIPER MECHANISM COMPONENTS

No.	Supply Code	Parts No.	Replacement	Parts name	Remarks	Choice	Step	Level	Cons	Qty	Rep. QTY
1		13817457		THREAD TENSION NO.2 CONNEC.	FOR 220CSS-5000					1	
2		B23022050AA		SECOND THREAD TENSION.	FOR 220CHS,CGS					1	
3		B2313280000		THREAD TENSION ROD, LARGE				*		1	
4		B2302280000		SECOND THREAD TENSION ROD				*		1	
5		B3112761000		THREAD TAKE-UP SPRING	FOR 220CSS-5000			*		1	
6		D3112L4BB00		TAKE-UP SPRING (HEAVY)	FOR 220CHS,CGS			*		1	
7		B3107804000		THREAD TENSION DISK PRESSER	FOR 220CSS-5000			*		1	
8		13817408		THREAD TENSION NUT				*		1	
9		B3120125000		ROTATING STOPPER				*		1	
10	R	B3126012000	22921506	THREAD TENSION DISK				*		2	1.00
11		B3114232000		THREAD TENSION SPRING	FOR 220CSS-5000			*		1	
12		B3129053000		TENSION SPRING	FOR 220CHS,CGS			*		1	
13		B3132552000		THREAD TENSION DISK PRESSER				*		1	
14		SS8090610SP		SCREW 9/64-40 L=5.9				*		1	
15		13817408		THREAD TENSION NUT	FOR 220CHS,CGS			*		1	
16		SS6151812TP		SCREW15/64-28L=18						1	
17		B2702210000		GUIDE PLATE						1	
18		B21012200A0		WIPER ASM.						1	
19		B2104220000		SOLENOID INSTALLING PLATE				*		1	
20		B2106220000		WIPER INSTALLING PLATE				*		1	
21		B2107210000		WIPER				*		1	
22	D	B2102205000		WIPER ARM.				*		1	
23		SS6090630TP		SCREW 9/64-40 L=6				*		1	
24		SS6621220SP		SCREW 3/16-32 L=12				*		1	
25		SD0600352SP		HINGE SCREW				*		1	
26		SD0640321SP		HINGE SCREW D= 6.35 H= 3.2				*		1	
27		SD0640321SP		HINGE SCREW D= 6.35 H= 3.2				*		1	
28		WP0371016SD		WASHER 3.7X8X1				*		1	
29		WP0561616SC		WASHER 5.6X16X1.6				*		1	
30		NM6040003SC		NUT M4				*		2	
31		HP000200200		PIN-SHAPE TERMINAL, MALE				*		2	
32		HK018800020		2-POLE PLUG				*		1	
33		B2101220000		WIPER SOLENOID				*		1	
34		B2103220000		WIPER CONNECTING PLATE				*		1	
35		SS7110840SP		SCREW 11/64-40 L=7.8						2	
36		B2303280000		TENSION RELEASE PIN						1	

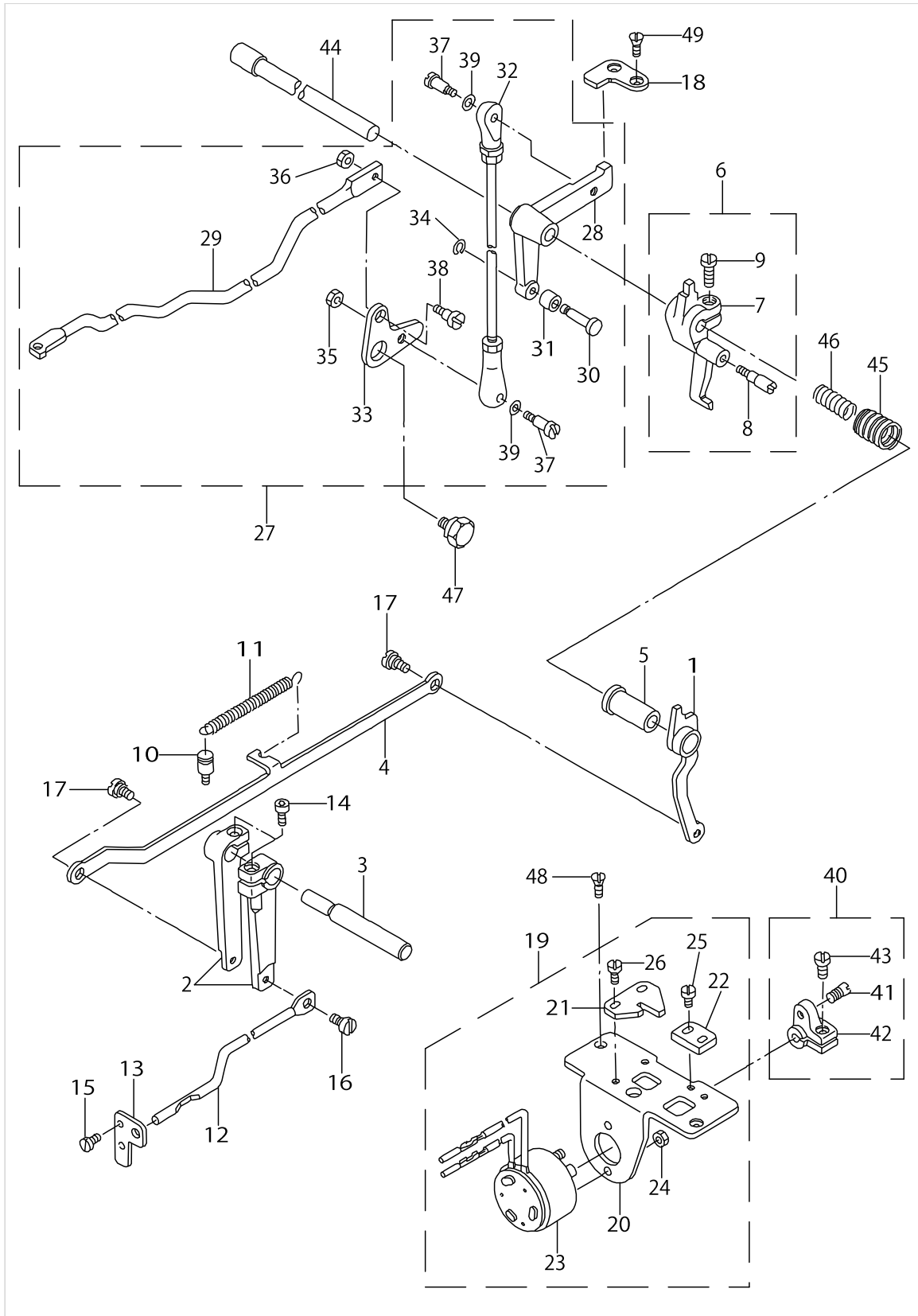
TENSION RELEASE & TEREAD TRIMMER MECHANISM COMPONENTS



TENSION RELEASE & TEREAD TRIMMER MECHANISM COMPONENTS

No.	Supply Code	Parts No.	Replacement	Parts name	Remarks	Choice	Step	Level	Cons	Qty	Rep. QTY
1		B23042200A0		TENSION RELEASE ARM ASM.						1	
2	R	B2306220000	B23062200A0	TENSION ARM						2	1.00
3		B2307220000		TENSION ARM SHAFT						1	
4	D	B2308220000		CONNECTING PLATE						1	
5		B2305210000		BUSHING						1	
6		B23012100A0		TENSION RELEASE ARM ASM.						1	
7		B2301210000		TENSION RELEASE ARM				*		1	
8		B2302210000		TENSION RELEASE SHAFT				*		1	
9		SS6121220TP		SCREW 3/16-28 L=11.5				*		1	
10	R	B2714761000	26212308	SPRING RACK						1	1.00
11		B2727761000		TENSION SPRING						1	
12	D	13513205		TENSION RELEASE BAR						1	
13	R	13513304	26218404	THREAD TENSION ARM						1	1.00
14		SS6151712TP		SCREW 15/64-28 L=16.5						2	
15		SS7090620TP		SCREW 9/64-40 L=6.1						2	
16		SD0530221SP		HINGE SCREW D= 5.3 H= 2.2						1	
17		SD0640321SP		HINGE SCREW D= 6.35 H= 3.2						2	
18		B2412220000		STOPPER						1	
19		B24022200A0		SOLENOID INSTALL- ING BASE ASM.						1	
20		B2402220000		SOLENOID INSTALLING BASE				*		1	
21		B2310220000		TENSION RELEASE ARM PLATE				*		1	
22		B2311220000		Y MOTOR BASE STOPPER				*		1	
23		B2403210000		SOLENOID				*		1	
24		NM6040003SC		NUT M4				*		2	
25		SS7110840SP		SCREW 11/64-40 L=7.8				*		2	
26		SS7110840SP		SCREW 11/64-40 L=7.8				*		2	
27		B24042200A0		CAM INSTALLING LINK ASM.						1	
28		B2404220000		CAM INSTALLING LINK				*		1	
29	D	B2413220000		KNIFE DRIVING BAR				*		1	
30		B2405210000		SHAFT				*		1	
31		B2406210000		CAM ROLLER				*		1	
32	D	B2407210000		CONNECTING ROD				*		1	
33		B2411210000		THREAD TRIMMER LINK				*		1	
34		D2430555B00		SNAP RING				*		1	
35		NS6110420SP		NUT 11/64-40				*		1	
36		NS6120310SP		NUT 3/16-28				*		1	
37		SD0500803TP		HINGESCREWD=5H=8				*		2	
38		SD0650305TP		HINGE SCREW D= 6.5 H= 3				*		1	
39		WP0501016SD		WASHER 5X10.5X1				*		2	
40		B24102200A0		SOLENOID ARM ASM.						1	
41		B2410220000		PIN				*		1	
42		B2409210000		SOLENOID ARM				*		1	
43		SS6121210SP		SCREW 3/16-28 L=12				*		1	
44		B2408210000		CAM SHAFT						1	
45		B2414210000		SPRING, LARGE						1	
46		B2415210000		SPRING, SMALL						1	

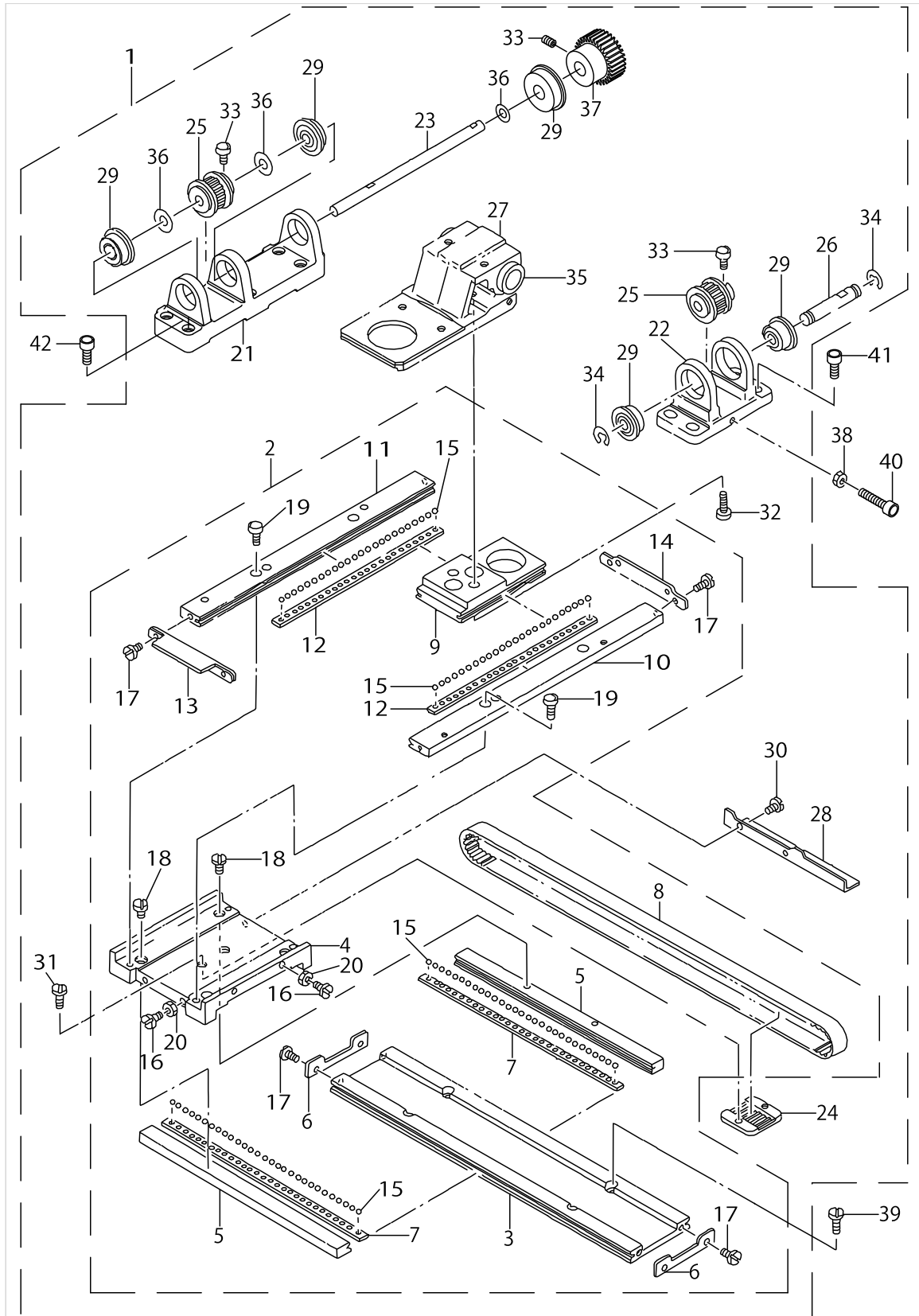
TENSION RELEASE & TEREAD TRIMMER MECHANISM COMPONENTS



TENSION RELEASE & TEREAD TRIMMER MECHANISM COMPONENTS

No.	Supply Code	Parts No.	Replacement	Parts name	Remarks	Choice	Step	Level	Cons	Qty	Rep. QTY
47		SD1100301TP		HINGE SCREW H=11 W=3						1	
48		SS2110920TP		SCREW 11/64-40 L=8.5						2	
49		SS2110920TP		SCREW 11/64-40 L=8.5						2	

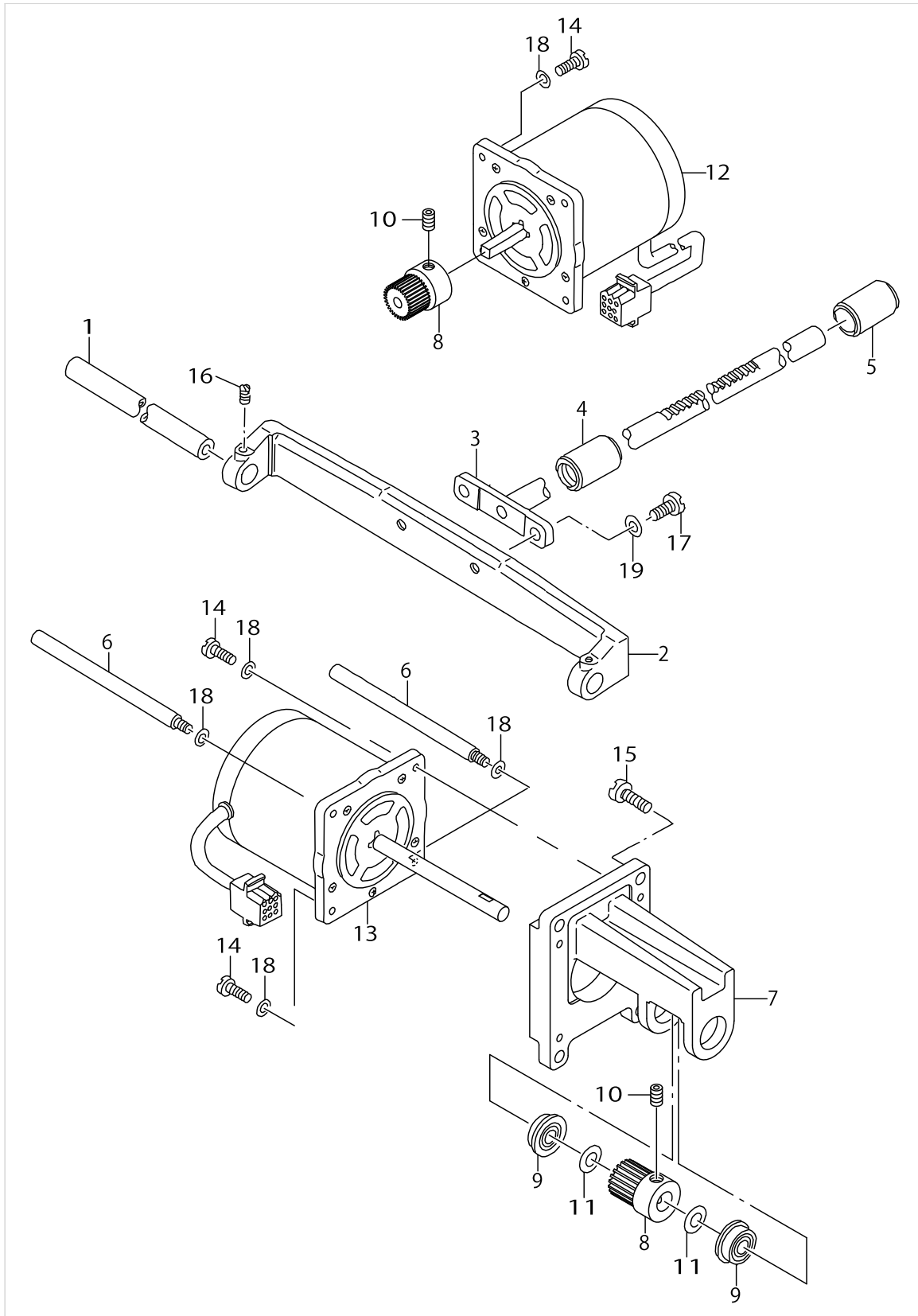
X-Y COMPONENTS (1)



X-Y COMPONENTS (1)

No.	Supply Code	Parts No.	Replacement	Parts name	Remarks	Choice	Step	Level	Cons	Qty	Rep. QTY
1		B2501220BB0		X-Y TABLE ASM.						1	
2	D	B2501220AA0		X-Y TABLE ASM., A				*		1	
3	D	B2501220000		X FIXED LACE				*		1	
4	D	B2502220000		RACE TABLE				*		1	
5	D	B2503220000		X REMOVAL LACE				*		2	
6		B2507220000		X STOPPER				*		2	
7		B2508220000		X RETAINER				*		2	
8	D	B2512220A00		X TIMING BELT A				*		1	
9	D	B2519220000		Y REMOVAL LACE				*		1	
10	D	B252022000A		Y FIXED LACE, RIGHT				*		1	
11	D	B252022000B		Y FIXED LACE, LEFT				*		1	
12		B2521220000		Y RETAINER				*		2	
13		B25222200AA		Y STOPPER ASM. A				*		1	
14	D	B252222000C		Y STOPPER C				*		1	
15		B2527210000		BALL				*		106	
16		SS7111110TP		SCREW 11/64-40 L=10.5				*		4	
17		SS91111010SP		SCREW 11/64-40 L=9.5				*		8	
18		SS7110910TP		SCREW 11/64-40 L= 8.5				*		4	
19		SM6041402TP		SCREW M4 L=14				*		4	
20		NS6110310SP		NUT 11/64-40				*		4	
21		B2504215000		X DRIVING SHAFT BRACKET				*		1	
22	D	B2505220000A		X DRIVING SHAFT BRACKET				*		1	
23	D	B2506215000		SLIT PLATE				*		1	
24		B2509229000		BELT RECEIVER				*		1	
25		B2513220A00		SPROCKET WHEEL A				*		2	
26	D	B2515220000		X BRACKET SHAFT				*		1	
27	D	B2535220000		X GUIDE BASE				*		1	
28	D	B4007220000		X SLIT PLATE				*		1	
29		SB108000500		RADIAL BEARING				*		5	
30		SM6040552TP		SCREW M4 L=4.5				*		2	
31		SS6110610TP		SCREW 11/64-40 L=6				*		2	
32		SS6151812TP		SCREW15/64-28L=18				*		2	
33		B2540205B00		SCREW				*		6	
34		RE0600000K0		E-RING 6				*		2	
35		SB712000100		SLIDE BEARING				*		2	
36		B255728000E		WASHER				*		3	
37	D	B2526220000		Y DRIVE GEAR				*		1	
38		NM6050001SE		NUT M5						1	
39		SS6121210SP		SCREW 3/16-28 L=12						4	
40	D	SM6053002UZ		HEXAGON SCREW						1	
41		SM6051602TP		SCREW M5X0.8 L=16						4	
42		SM6052002TP		SCREW M5 L=20						6	

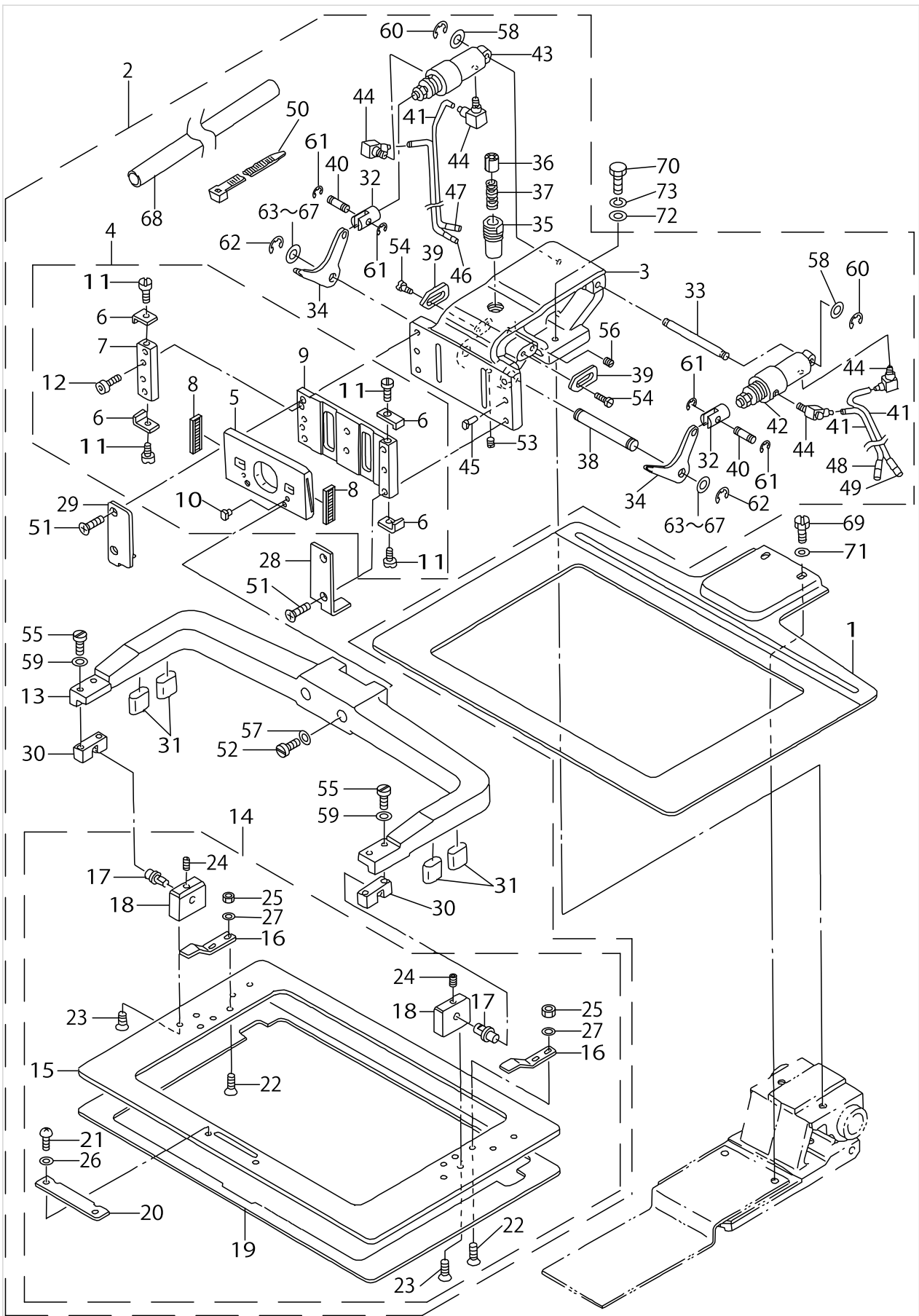
X-Y COMPONENTS (2)



X-Y COMPONENTS (2)

No.	Supply Code	Parts No.	Replacement	Parts name	Remarks	Choice	Step	Level	Cons	Qty	Rep. QTY
1	D	B2510220000		X GUIDE SHAFT						1	
2		B2511220000		X GUIDE SHAFT BRACKET						1	
3	D	B25242200A0		Y REMOVAL SHAFT ASM.						1	
4		B2532220000		BUSHING, FRONT						1	
5		B2533220000		BUSHING, REAR						1	
6	D	B1161220B00		MOTORSTUD BOLT B						2	
7		B2517215000		Y MOTOR BASE						1	
8	D	B2526215000		DRIVE GEAR						2	
9		SB109530100		BEARING D=9.52X22.22						2	
10		SM8060602TP		SCREW M6X6						4	
11		WP0951016SP		WASHER 9.53X15X1						2	
12		B2529215000		X STEPPING MOTOR						1	
13		B2529215A00		Y STEPPING MOTOR						1	
14		SS7121610SP		SCREW 3/16-28 L=15.5						6	
15		SS7151210SP		SCREW 15/64-28L=12						4	
16		SS8120740SP		SCREW 3/16-28 L=7						2	
17		SS9151440CP		SCREW 15/64-28L=14						2	
18		WP0501016SD		WASHER 5X10.5X1						8	
19		WP0621016SD		WASHER 6.2X13X1						2	

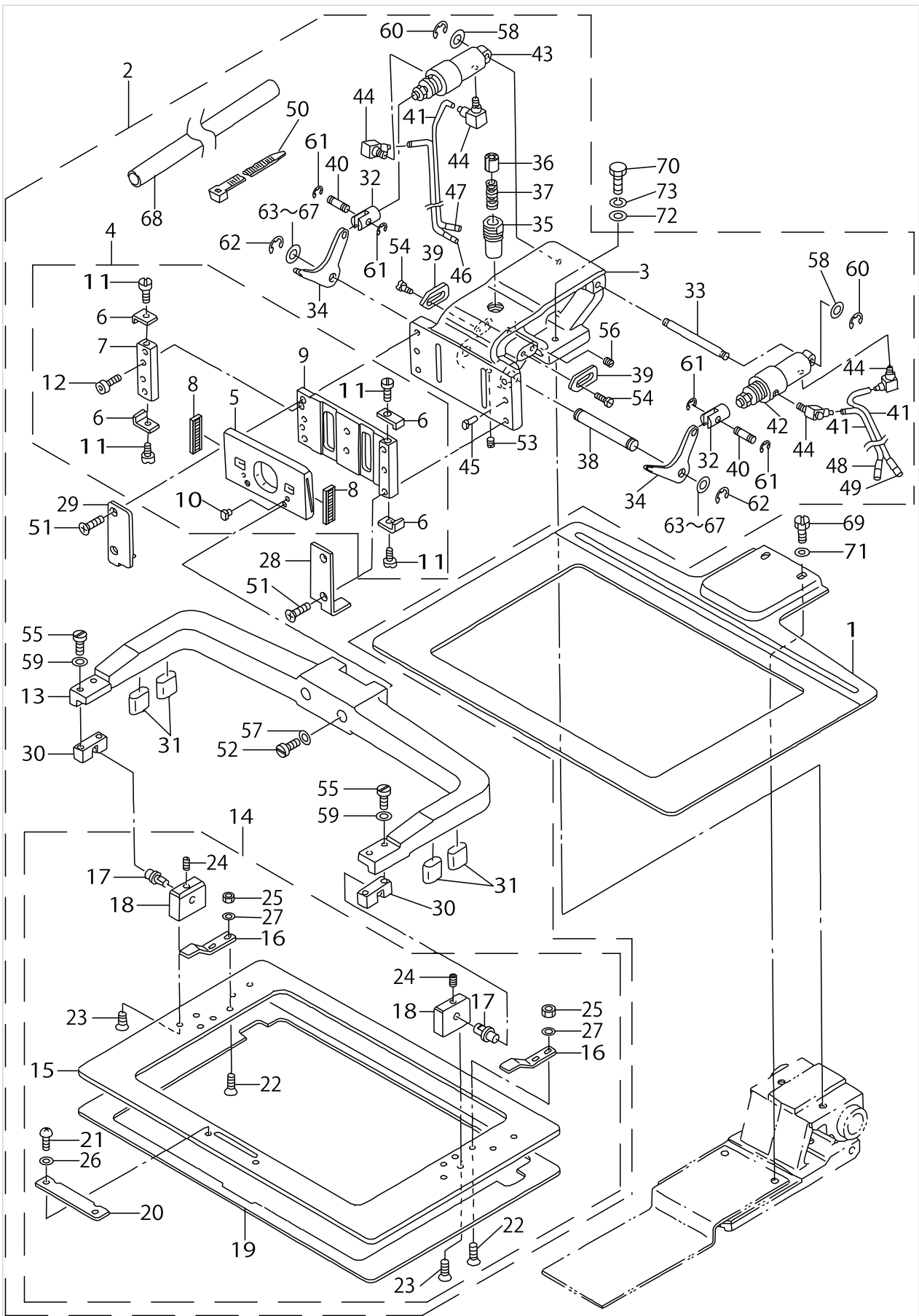
CLOTH FEED MECHANISM COMPONENTS



CLOTH FEED MECHANISM COMPONENTS

No.	Supply Code	Parts No.	Replacement	Parts name	Remarks	Choice	Step	Level	Cons	Qty	Rep. QTY
1	D	B2556220000		FEED PLATE						1	
2		B25502200A0		CLOTH FEED BASE ASM.						1	
3		B2550220000		FEED BRACKET				*		1	
4		B25722200A0		WORK CLAMP FOOT PLATE ASM.				*		1	
5		B2551220000		WORK CLAMP FOOT SLIDE PLATE				*		1	
6		B2565220000		STOPPER				*		4	
7		B2567220000		WORK CLAMP FOOT LACE				*		1	
8		B2569220000		BEARING				*		2	
9	D	B2572220000		WORK CLAMP FOOT PLATE				*		1	
10		B1816280000		GUIDE PIN				*		2	
11		SS7090530SP		SCREW 9/64-40 L=4.5				*		4	
12		SM6040602TP		SCREW M4 L=6				*		2	
13	D	B2552220000		FEEDING FRAME ARM				*		1	
14		B25532200A0		FEEDINGFRAMEASM.				*		1	
15		B2553220000		FEEDING FRAME				*		1	
16		B2558220000		PLASTIC BLANK PLATE				*		2	
17		B2560220000		SUPPORT PIN				*		2	
18		B2561220000		BEARING BLOCK				*		2	
19	D	B2564220000		SPONGE				*		1	
20		B2592220000		PLASTIC BLANK STOPPER				*		1	
21		SS4110515SP		SCREW 11/64-40 L=5				*		2	
22		SS1110840SP		SCREW 11/64-40 L=8				*		4	
23		SS1110840SP		SCREW 11/64-40 L=8				*		4	
24		SS8110422TP		SCREW 11/64-40 L=4				*		2	
25		NS6110360SP		NUT				*		4	
26		WP0501016SD		WASHER 5X10.5X1				*		2	
27		WP0450000SD		WASHER 4.5X8X0.5				*		4	
28	D	B2554220000		RECEIVER PLATE, RIGHT				*		1	
29		B2555220000		RECEIVER PLATE, LEFT				*		1	
30		B2562220000		BALL CATCH				*		2	
31		B256322400B		FEEDING FRAME R-UBBER CUSHION				*		4	
32	D	B2566220000		CYLINDER KNUCKLE				*		2	
33		B2568220000		CYLINDER SHAFT				*		1	
34		B2570220000		LIFTING LEVER				*		2	
35		B2573220000		SLIDER RECEIVER				*		1	
36		B2574220000		SLIDER				*		1	
37		B2576220000		SLIDER SPRING				*		1	
38	D	B2578220000		LIFTING LEVER SHAFT				*		1	
39		B2580220000		STOPPER				*		2	
40		B1626220000		CYLINDER PIN				*		2	
41	R	B471022000C	BT0400251EB	AIR TUBE C D=4				*		4	1.00
42		PA1602503A0		WORK CLAMP FOOT CYLINDER,RIGHT				*		1	
43		PA1602504A0		WORK CLAMP FOOT CYLINDER, LEFT				*		1	
44		PJ046052503		HOSE ELBOW				*		4	
45		B1816280000		GUIDE PIN				*		2	

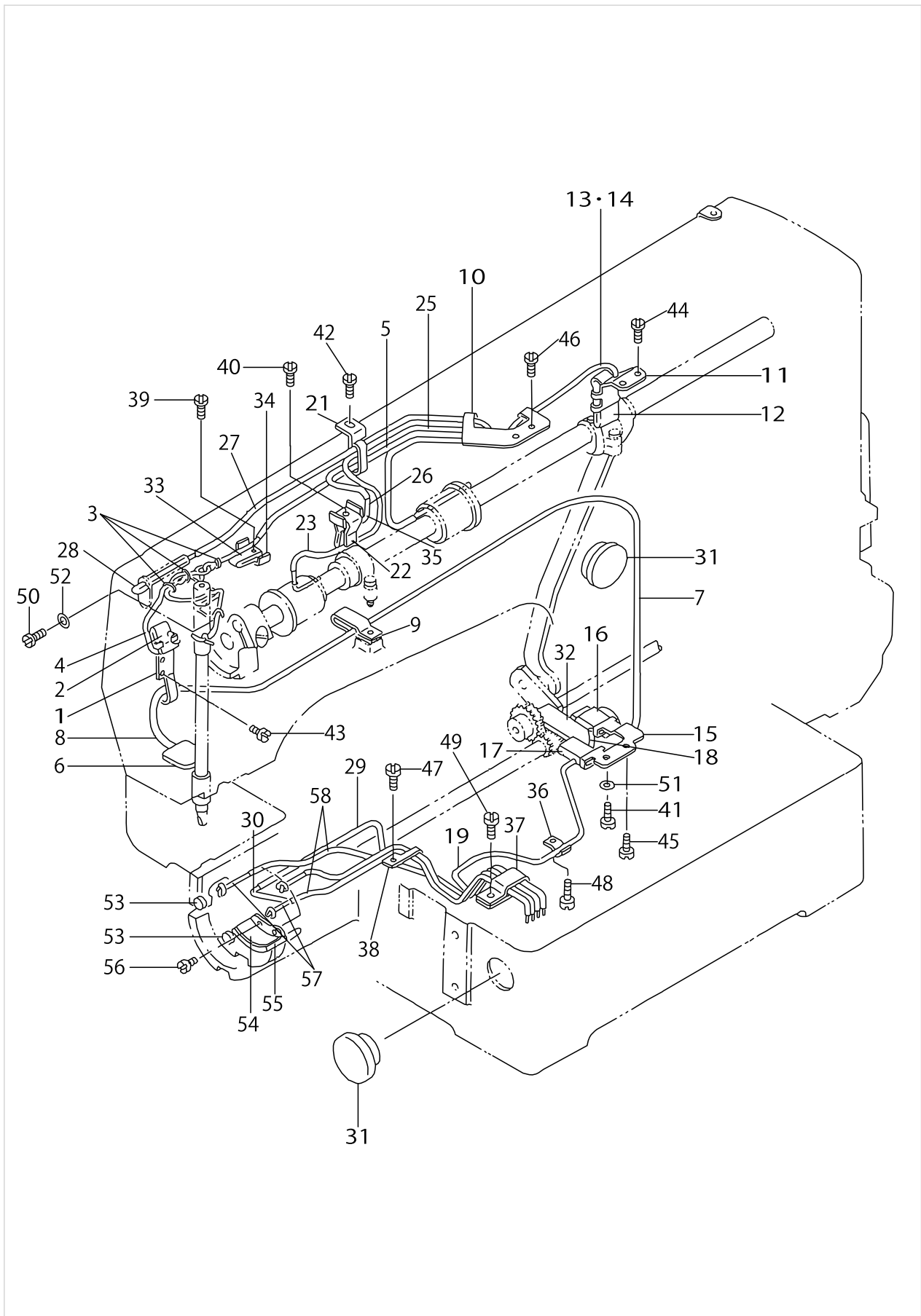
CLOTH FEED MECHANISM COMPONENTS



CLOTH FEED MECHANISM COMPONENTS

No.	Supply Code	Parts No.	Replacement	Parts name	Remarks	Choice	Step	Level	Cons	Qty	Rep. QTY
46		B471122000C		AIR TUBE LABEL J03 LEFT				*		1	
47		B471122000D		AIR TUBE LABEL J04 LEFT				*		1	
48		B471122000G		AIR TUBE LABEL J03 RIGHT				*		1	
49		B471122000H		AIR TUBE LABEL J04 RIGHT				*		1	
50		HX002330000		CLIP				*		3	
51	D	SS2122410TP		SCREW				*		4	
52		SS7151610SP		SCREW15/64-28L=16				*		2	
53		SS8120740SP		SCREW 3/16-28 L=7				*		1	
54		SS6120940SP		SCREW 3/16-28 L=9				*		4	
55		SS6111610SP		SCREW11/64-40L=16				*		4	
56		SS8120410SP		SCREW 3/16-28 L=3.8				*		1	
57		WP0641600SC		WASHEW6.4X12.5X1.6				*		2	
58		WP0520656SA		WASHER 5.2X9.5X0.6				*		2	
59		WP0450000SD		WASHER 4.5X8X0.5				*		4	
60		RE0300000K0		E-RING 3				*		2	
61		RE0300000K0		E-RING 3				*		4	
62		RE0600000K0		E-RING 6				*		2	
63		B255728000A		WASHER FOR DRIVING ARM				*		2	
64		B255728000B		WASHER	SELECTIVE PART			*		2	
65		B255728000C		WASHER	SELECTIVE PART			*		2	
66		B255728000D		WASHER D	SELECTIVE PART			*		2	
67		B255728000E		WASHER	SELECTIVE PART			*		2	
68	D	HX003290000		CABLE BAND				*		0.2	
69	D	SS9150710TP		BOLT 15/64-28 L=6.5						2	
70		SS9152130CP		SCREW 15/64-28 L=20.5						2	
71		WP0621016SD		WASHER 6.2X13X1						2	
72		WP0641600SC		WASHEW6.4X12.5X1.6						2	
73		WS0631510KP		SPRING WASHER						2	

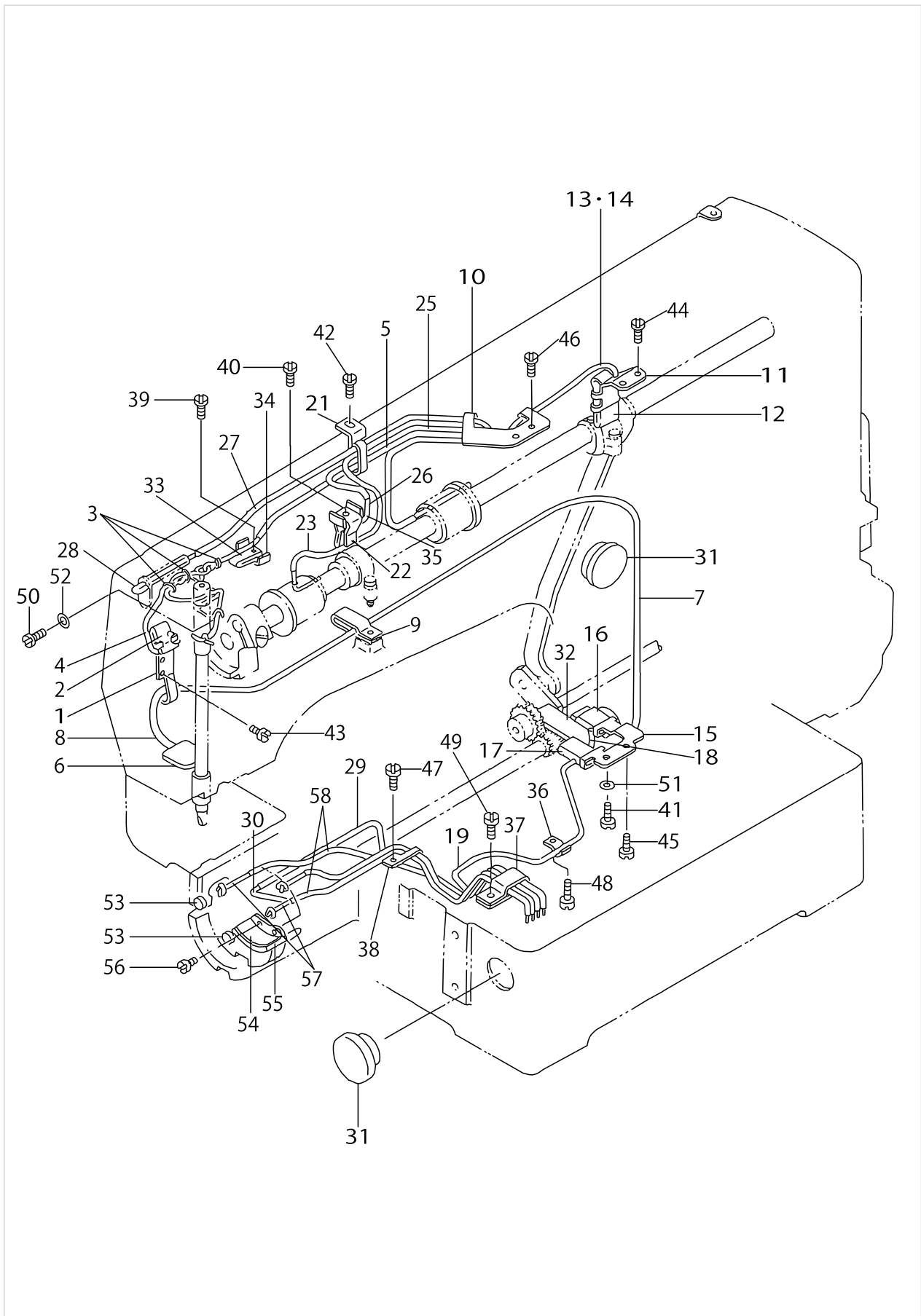
LUBRICATION COMPONENTS



LUBRICATION COMPONENTS

No.	Supply Code	Parts No.	Replacement	Parts name	Remarks	Choice	Step	Level	Cons	Qty	Rep. QTY
1	D	B3502220000		OIL WICK HOLDER						1	
2		B3509220000		OIL SPONGE						1	
3	R	B1419026000	26230706	OIL WICK PRESSER						3	1.00
4		CQ202000000		OIL WICK						1.1	
5		BP300000000		VINYL PIPE						.4	
6		B3507280000		OIL FELT						1	
7		BP600000000		VINYL PIPE						.6	
8		B3523220000		OIL FELT						1	
9		D2112555B00		CORD HOLDER, LARGE						1	
10	D	B3504220000		OIL WICK HOLDER A						1	
11		B3505210000		OIL FELT SUPPORTING PLATE						1	
12		B3509280000		NEEDLE ROD CRANK LUBRICATING						1	
13		CQ252200000		OIL WICK						.4	
14		BP300000000		VINYL PIPE						.2	
15	D	B3506210000		OIL FELT SUPPORTING PLATE						1	
16		B3509280000		NEEDLE ROD CRANK LUBRICATING						1	
17		B3518280000		BALANCE LUBRICATING						1	
18		CQ202000000		OIL WICK						.7	
19		BP300000000		VINYL PIPE						.6	
20		B3507220000		OIL WICK HOLDER						1	
21		B3508220000		OIL TUBE HOLDER						1	
22	D	B3520220000		OIL SPONGE						1	
23		BP300000000		VINYL PIPE						.4	
24		CQ202000000		OIL WICK						.7	
25		BP300000000		VINYL PIPE						.3	
26		CQ252200000		OIL WICK						.5	
27		BP300000000		VINYL PIPE						.3	
28		CQ252200000		OIL WICK						.6	
29		BP500000000		VINYL PIPE						.2	
30		B3522220000		OIL FELT						1	
31		B3501210000		OIL GAUGE						2	
32		B3507210000		OIL FELT						1	
33	D	B3518210000		OIL SPONGE						1	
34	R	B3508280000	26231407	BALANCE LUBRICATING PLATE						1	1.00
35	R	B3508280000	26231407	BALANCE LUBRICATING PLATE						1	1.00
36		B3538112000		OIL RETURN TUBE HOLDER						1	
37		D2112555B00		CORD HOLDER, LARGE						1	
38	R	13530209	26230409	LUBRICATING OIL WICK STOPPER						1	1.00
39		SS6092120SP		SCREW 9/64-40 L=21.2						1	
40		SS6092120SP		SCREW 9/64-40 L=21.2						1	
41		SS6111140SP		SCREW 11/64-40L=11						1	
42		SS7110710SP		SCREW 11/64-40 L=7						1	
43		SS7110710SP		SCREW 11/64-40 L=7						2	
44		SS7110710SP		SCREW 11/64-40 L=7						2	
45		SS7110710SP		SCREW 11/64-40 L=7						1	

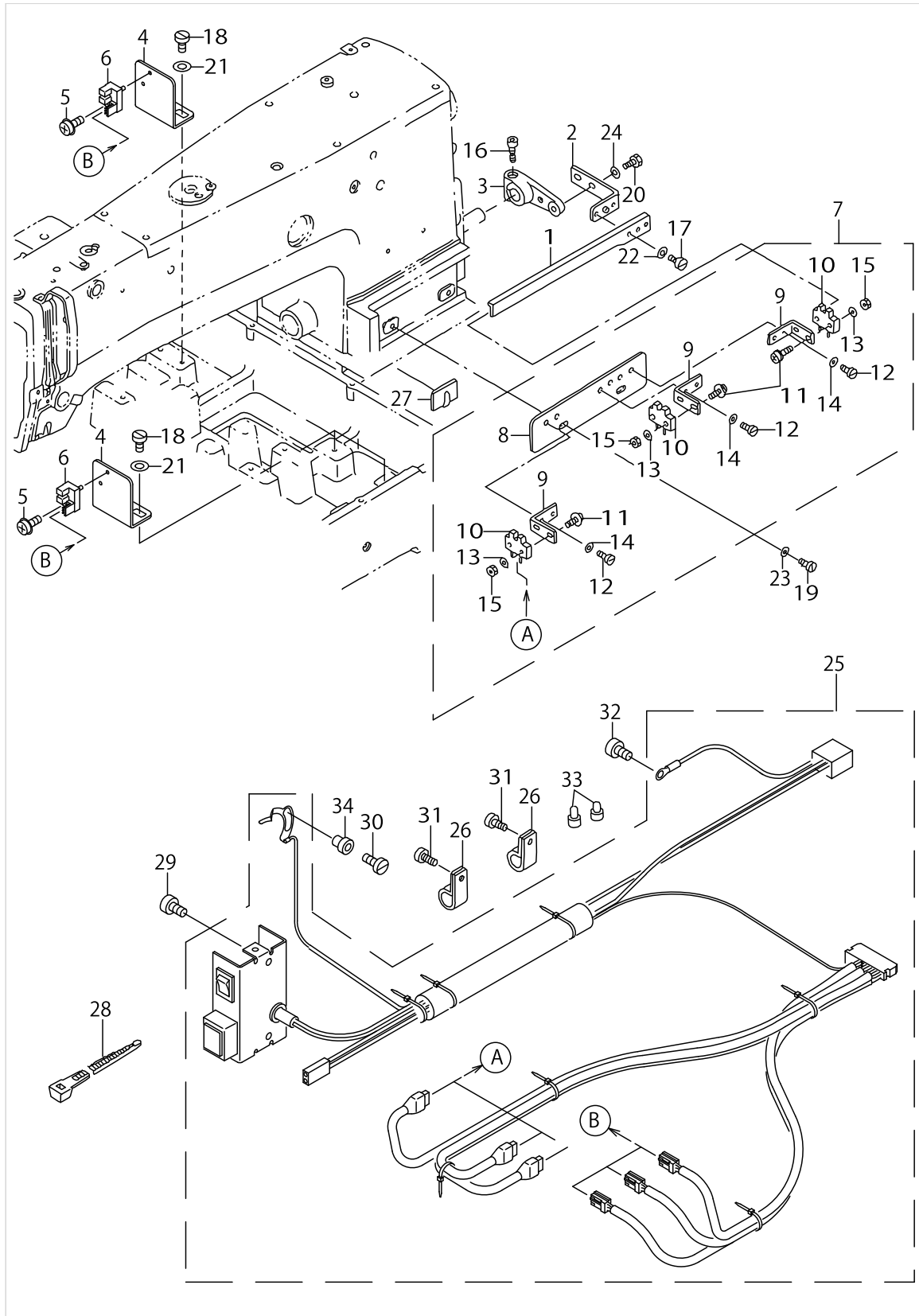
LUBRICATION COMPONENTS



LUBRICATION COMPONENTS

No.	Supply Code	Parts No.	Replacement	Parts name	Remarks	Choice	Step	Level	Cons	Qty	Rep. QTY
46		SS7110710SP		SCREW 11/64-40 L=7						2	
47		SS7110710SP		SCREW 11/64-40 L=7						1	
48		SS7110710SP		SCREW 11/64-40 L=7						1	
49		SS7110840SP		SCREW 11/64-40 L=7.8						1	
50		SS7110710SP		SCREW 11/64-40 L=7						1	
51		WP0621016SD		WASHER 6.2X13X1						1	
52		WP0450000SD		WASHER 4.5X8X0.5						1	
53		13529607		SHUTTLE PACKING						2	
54	R	B3505280000	26231100	SHUTTLE LUBRICATING PLATE						1	1.00
55		B3504280000		SHUTTLE FELT						1	
56		SS6090440SP		SCREW 9/64-40 L=4.0						2	
57		CQ252200000		OIL WICK						1.6	
58		BP300000000		VINYL PIPE						1	

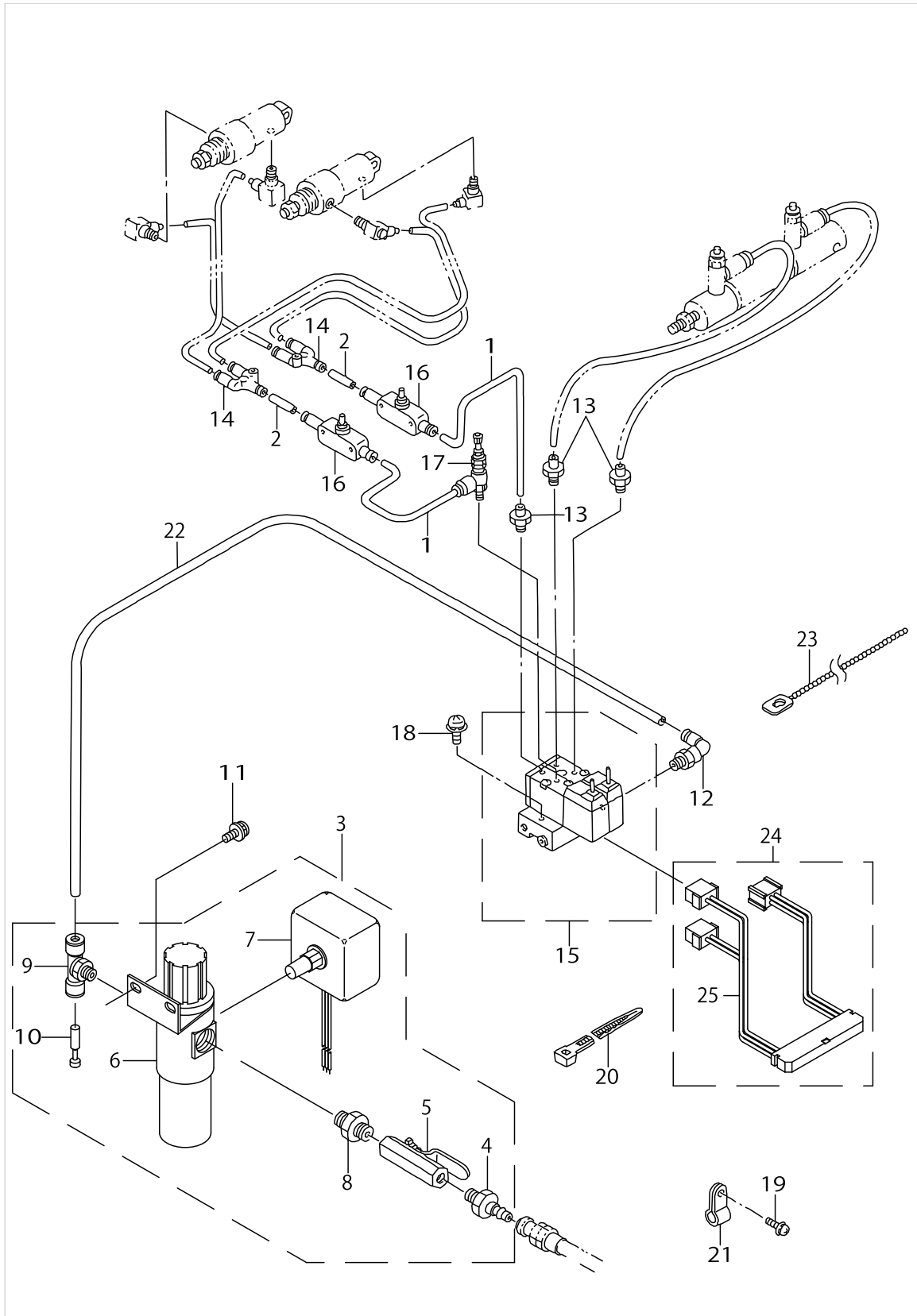
SENSOR COMPONENTS



SENSOR COMPONENTS

No.	Supply Code	Parts No.	Replacement	Parts name	Remarks	Choice	Step	Level	Cons	Qty	Rep. QTY
1	D	B4008220000		Y SLIT PLATE						1	
2	D	B40092200A0		Y SLIT FIXED PLATE ASM.						1	
3	D	B4010220000		Y SLIT FIXED ARM						1	
4		B4012215000		X SENSOR MOUNTING PLATE						3	
5		SL4031081SF		SCREW M3 L=10						3	
6		HD000570000		SENSOR						3	
7		B40052200A0		Y SENSOR BASE PLATE ASM.						1	
8		B4005220000		Y SENSOR BASE PLATE				*		1	
9		B4006220000		Y SENSOR FIXED PLATE				*		3	
10	R	HD000120000	HD000350000	PHOTO-MICROSENSOR				*		3	1.00
11		SL4031481SF		SCREW M3 L=14				*		6	
12		SS7110510SP		SCREW 11/64-40 L=5				*		6	
13		WP0330501SB		WASHER M3				*		6	
14		WP0450801SD		WASHER 4.5X10X0.8				*		6	
15		NM6030001SC		NUT M3				*		6	
16		SS6151712TP		SCREW 15/64-28 L=16.5						1	
17		SS7110510SP		SCREW 11/64-40 L=5						2	
18		SS7110840SP		SCREW 11/64-40 L=7.8						6	
19		SS7110840SP		SCREW 11/64-40 L=7.8						2	
20		SS7110840SP		SCREW 11/64-40 L=7.8						2	
21		WP0450801SD		WASHER 4.5X10X0.8						6	
22		WP0450801SD		WASHER 4.5X10X0.8						2	
23		WP0450801SD		WASHER 4.5X10X0.8						2	
24		WP0450801SD		WASHER 4.5X10X0.8						2	
25		B4110220CB0		HEAD SWITCH CABLE ASM.						1	
26		HX00123000A		CABLE CLIP						2	
27	D	HX00093000C		CALBE HOLDER						1	
28		HX002330000		CLIP						12	
29		SS7110710SP		SCREW 11/64-40 L=7						2	
30		SS7090850SP		SCREW 9/64-40 L=8						1	
31		SS4110815SP		SCREW 11/64-40 L=8						2	
32		SS4110815SP		SCREW 11/64-40 L=8						1	
33	D	HP001420000		CONNECTOR						2	
34		B2703210000		BUSHING						1	

PNEUMATIC COMPONENTS



PNEUMATIC COMPONENTS

No.	Supply Code	Parts No.	Replacement	Parts name	Remarks	Choice	Step	Level	Cons	Qty	Rep. QTY
1		B471022000A		AIR TUBE A D=4						2	
2		B471022000B		AIR TUBE B D=4						2	
3		B4715223CA0		FILTER REGULATOR ASM.						1	
4		PJ309005203		QUICK JOINT PLUG				*		1	
5	R	G5430116000	40030951	AIR COCK				*		1	1.00
6		PF0552040B0		FILTER REGULATOR				*		1	
7	R	G8124270000	G85048750A0	AIRPRESSUESWITCH		A	AVP-875	*		1	1.00
7	R	G8124270000	40030951	AIRPRESSUESWITCH		B	AMS-210E- N,AMS-221EN	*		1	1.00
7	R	G8124270000	B47152150A0	AIRPRESSUESWITCH		C	MEB-3200,- LK-1910/2- 0/30/41,AMS-224E	*		1	1.00
8		PJ030520001		RING JOINT (NIPPLE)				*		1	
9		PJ305065202		TEE				*		1	
10		PX950009000		PLUG				*		1	
11		SL4051091SC		SCREW M5X0.8 L=10						2	
12		PJ304065101		ELBOW UNION 6XPT1/8						1	
13		PJ032052503		HOSE NIPPLE						3	
14		PJ308040002		QUICK COUPLING						2	
15		PV0351130A0		SOLENOID VALVE ASM.						1	
16		PC012401000		SPEED CONTROLLER						2	
17		PF070501000		PRESSURE DECREASING VALVE						1	
18		SL4042581SF		SCREW M4 L=25						2	
19		SL4040891SC		SCREW M4 L=8						2	
20		EA9500B0100		CABLE BAND						7	
21		EA9502B0500		CABLE CLIP						2	
22		BT0600401EB		TUBE						1.3	
23		HX000220000		BAND						1	
24	D	B47162150A0		SOLENOID VALVE CORD ASM.						1	
25		B47122150A0		SOLENOID VALVE CONNECTOR ASM.				*		2	

TABLE COMPONENTS

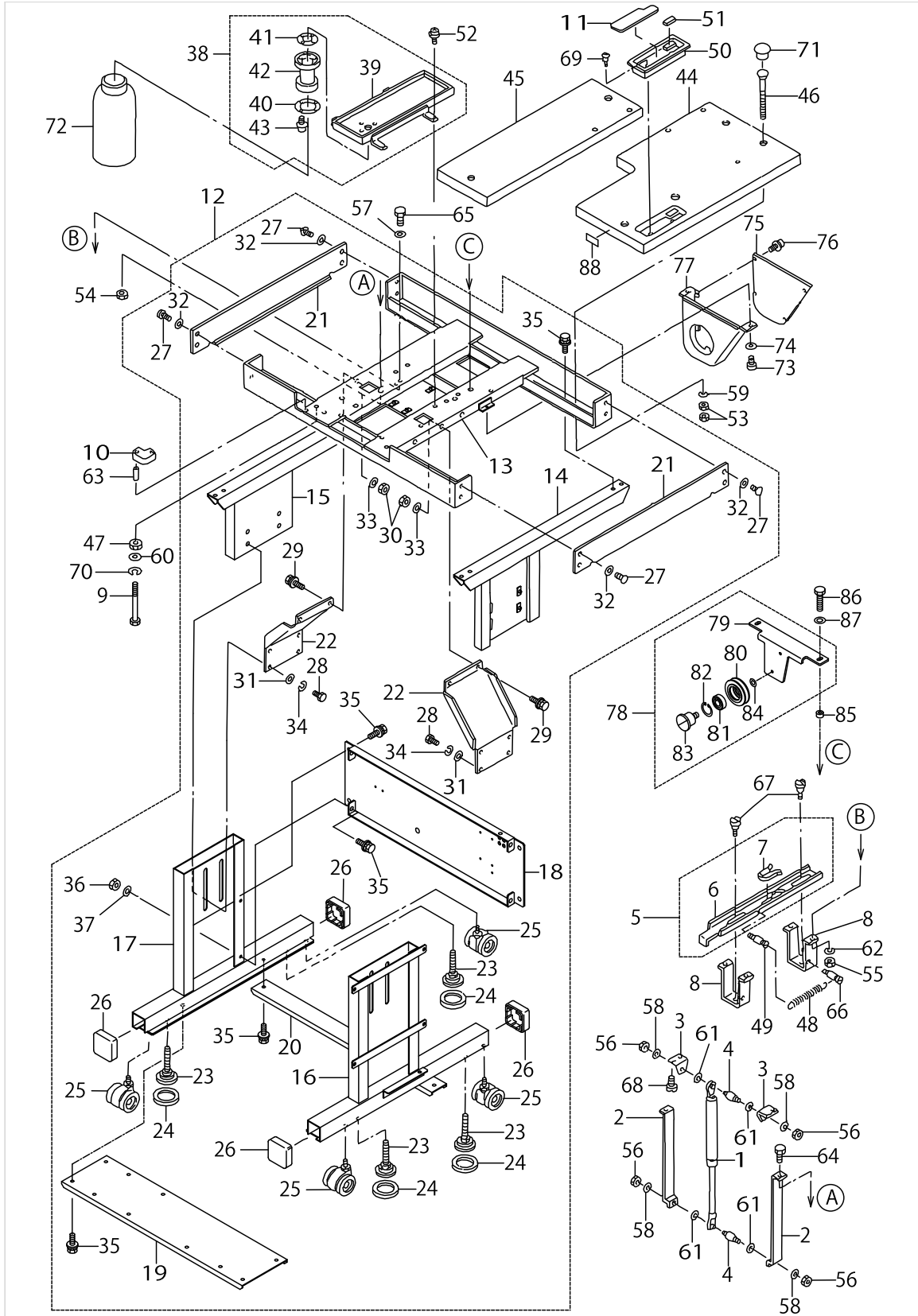


TABLE COMPONENTS

No.	Supply Code	Parts No.	Replacement	Parts name	Remarks	Choice	Step	Level	Cons	Qty	Rep. QTY
1	D	B8160220000		GAS SPRING						1	
2		B8161220000		LIFTER BRACKET A						2	
3		B8162220000		LIFTER BRACKET B						2	
4		B8163220000		LIFTER PIVOT PIN						2	
5		B81642200A0		LIFTER STOPPER ASM.						1	
6	D	B8164220000		LIFTER STOPPER				*		1	
7	D	B8165220000		LIFTER GROMMET				*		1	
8	D	B8166220000		LIFTER STOPPER HOLDER						2	
9		SM9087533SC		SCREW M8 L=75						2	
10		B8171220000		RUBBER ABSORBER						3	
11		B8173220000		SHEET						1	
12		B83012200A0		STAND ASM.						1	
13		B8301220000		UPPER STAND				*		1	
14		B8302220000		UPPER STAND STRUT, RIGHT				*		1	
15		B8303220000		UPPER STAND STRUT, LEFT				*		1	
16		B8304220000		LOWERSTRUT,RIGHT				*		1	
17		B8305220000		LOWER STRUT, LEFT				*		1	
18		B8306220000		SIDE STRUT				*		1	
19		B8307220000		LOWER STRUT A				*		1	
20		B8308220000		LOWER STRUT B				*		1	
21	D	B810322000B		STAND COVER				*		2	
22		B8309220000		STAND STAY				*		2	
23		B8108220000		ADJUSTING BOLT				*		4	
24		B8109220000		RUBBER CAP				*		4	
25		B8150220000		CASTER				*		4	
26		20243200		STAND CAP, W				*		4	
27		SM5051400SC		SCREW M5 L=14				*		8	
28	D	SM9122503SE		SCREW M12 L=25				*		8	
29		SL9082093SE		SCREW				*		4	
30		NM6080001SC		NUT M8X1.25				*		4	
31		WP1302501SC		WASHER 13X24X2.5				*		8	
32		WP0561616SC		WASHER 5.6X16X1.6				*		8	
33		WP0841601SC		WASHER8.4X17.4X1.6				*		4	
34		WS1253010KN		SPRING WASHER 12.5X21.5X3				*		8	
35		SL9082093SE		SCREW				*		22	
36		NM6080001SC		NUT M8X1.25				*		2	
37		WP0841601SC		WASHER8.4X17.4X1.6				*		2	
38		B81102200A0		OIL PAN ASM.						1	
39	D	B8110220000		OIL PAN				*		1	
40		B8111220000		WASHER				*		1	
41		B8112220000		OIL SEAL				*		1	
42		B8202205000		OIL MANAGEMENT				*		1	
43		SL4031481SC		SCREW M3 X 14				*		4	
44		B820122000EA		TABLE, RIGHT						1	
45	D	B820122000FA		TABLE (LEFT)						1	
46	R	11571908	13155205	BOLT D						5	1.00

TABLE COMPONENTS

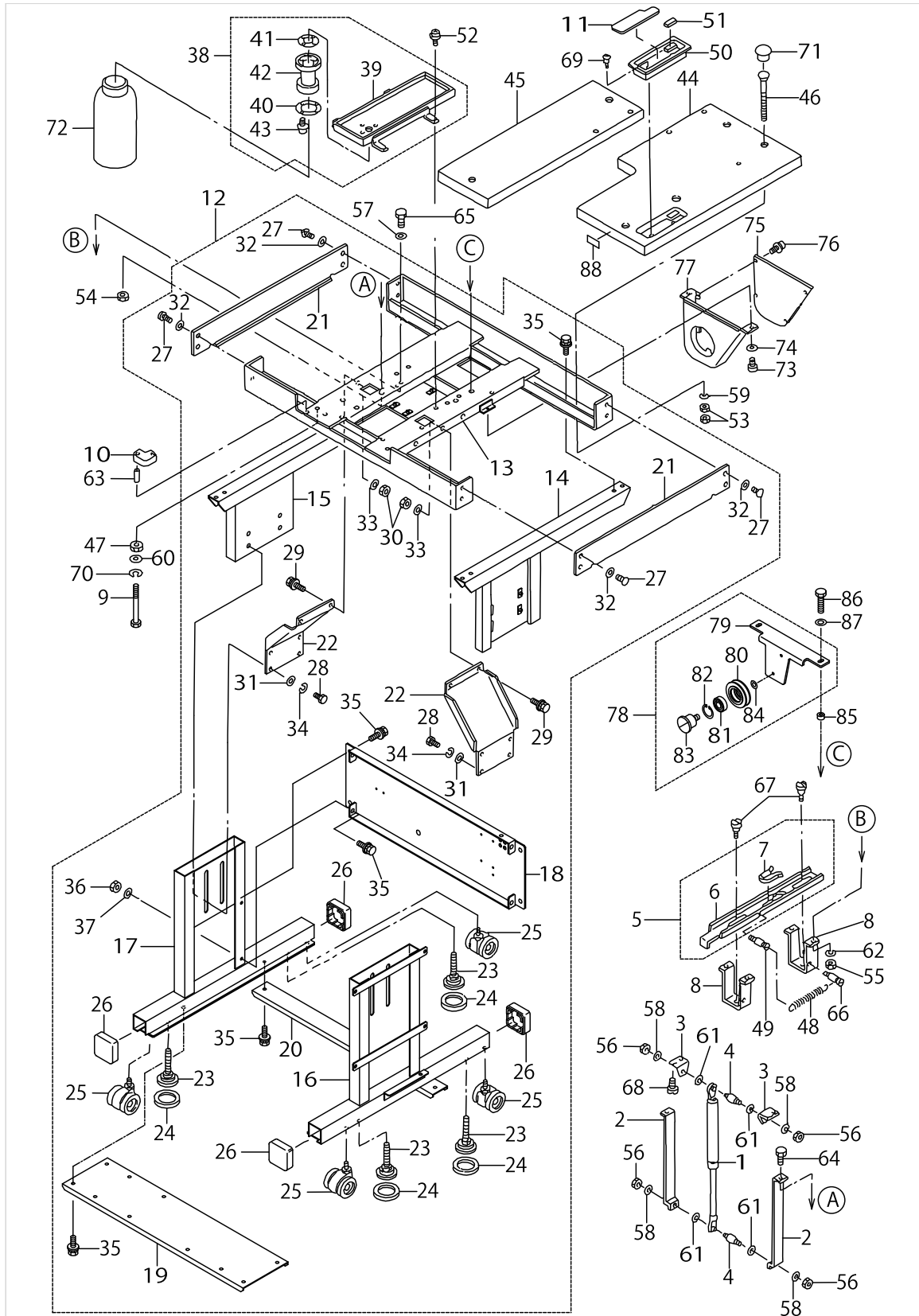
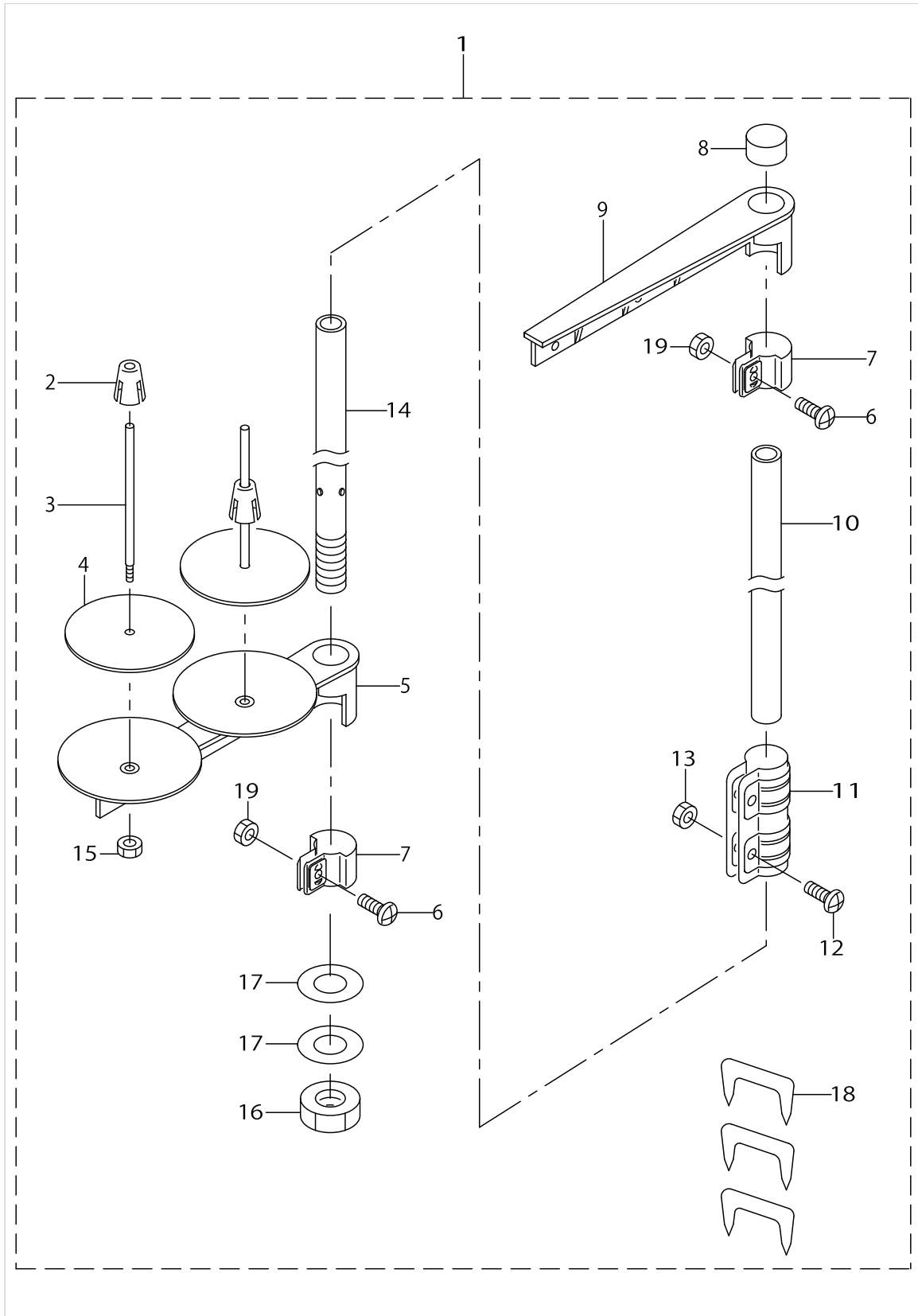


TABLE COMPONENTS

No.	Supply Code	Parts No.	Replacement	Parts name	Remarks	Choice	Step	Level	Cons	Qty	Rep. QTY
47		B3505019000		OIL CUP GASKET						2	
48	D	B2629980000		SPRING						1	
49	R	B1506352000	26226407	TENSION SPRING RACK B						1	1.00
50	R	11150208	11150257	CASE						1	1.00
51	R	11150406	11150257	FELT						1	1.00
52		SL4041091SC		SCREW M4 L=10						4	
53	R	NS6240630SN	NS6240630SE	NUT 3/8-18						10	1.00
54		NM6060002SE		NUT M6						2	
55		NM6060002SE		NUT M6						4	
56		NM6060002SE		NUT M6						4	
57		WP0641601SC		WASHER						4	
58		WP0641601SC		WASHER						4	
59		WP1021016SD		WASHER						5	
60		WP0841601SC		WASHER 8.4X17.4X1.6						2	
61		WP0841600SE		WASHER 8,4X15,5X1,6						4	
62		WS0610002KN		SPRING WASHER 6.1X12.2X1.5						4	
63		PS0400141KH		SPRING PIN 4X14						6	
64		SM9061850SC		SCREW M6 L=18						2	
65		SM9061850SC		SCREW M6 L=18						4	
66		MAT80116S00		SUSPENSION PIN						1	
67		SD0800341SP		HINGE SCREW D=8 H=3.4						2	
68		SS9151120CP		SCREW 15/64-28L=11						4	
69	R	SK3381300SC	SK3381301SE	WOOD SCREW D=3.8 L=13						2	1.00
70		WS0820002KN		SPRING WASHER M8						2	
71		HX00326000B		BUSH						5	
72		B9121012000		OIL CAN						1	
73		SL4051241SE		SCREW	FOR EXPORT					2	
74		WP0561616SC		WASHER 5.6X16X1.6	FOR EXPORT					2	
75		B821121000B		MOTOR PULLEY COVER (B)	FOR EXPORT					1	
76		SL4040691SC		SCREW M4 L=6	FOR EXPORT					6	
77		B821021000B		MOTOR PULLEY COVER (A)	FOR EXPORT					1	
78		B81802200A0		V BELT PULLEY COMPL.						1	
79		B8180220000		V BELT PULLEY				*		1	
80		13768106		V BELT PULLEY				*		2	
81		SB115000200		BEARING				*		2	
82		RC3500002KP		RETAINING RING 35				*		2	
83		SD1501101SP		HINGE SCREW D=14.5 H=11				*		2	
84		WP0704016SP		WASHER 7X20X4				*		2	
85		B1505205000		SPACER						2	
86		SM9062553SC		SCREW M6 L=25						2	
87		WP0641601SC		WASHER						2	
88		CM500100001		CE MARKING LABEL	FOR JE					1	

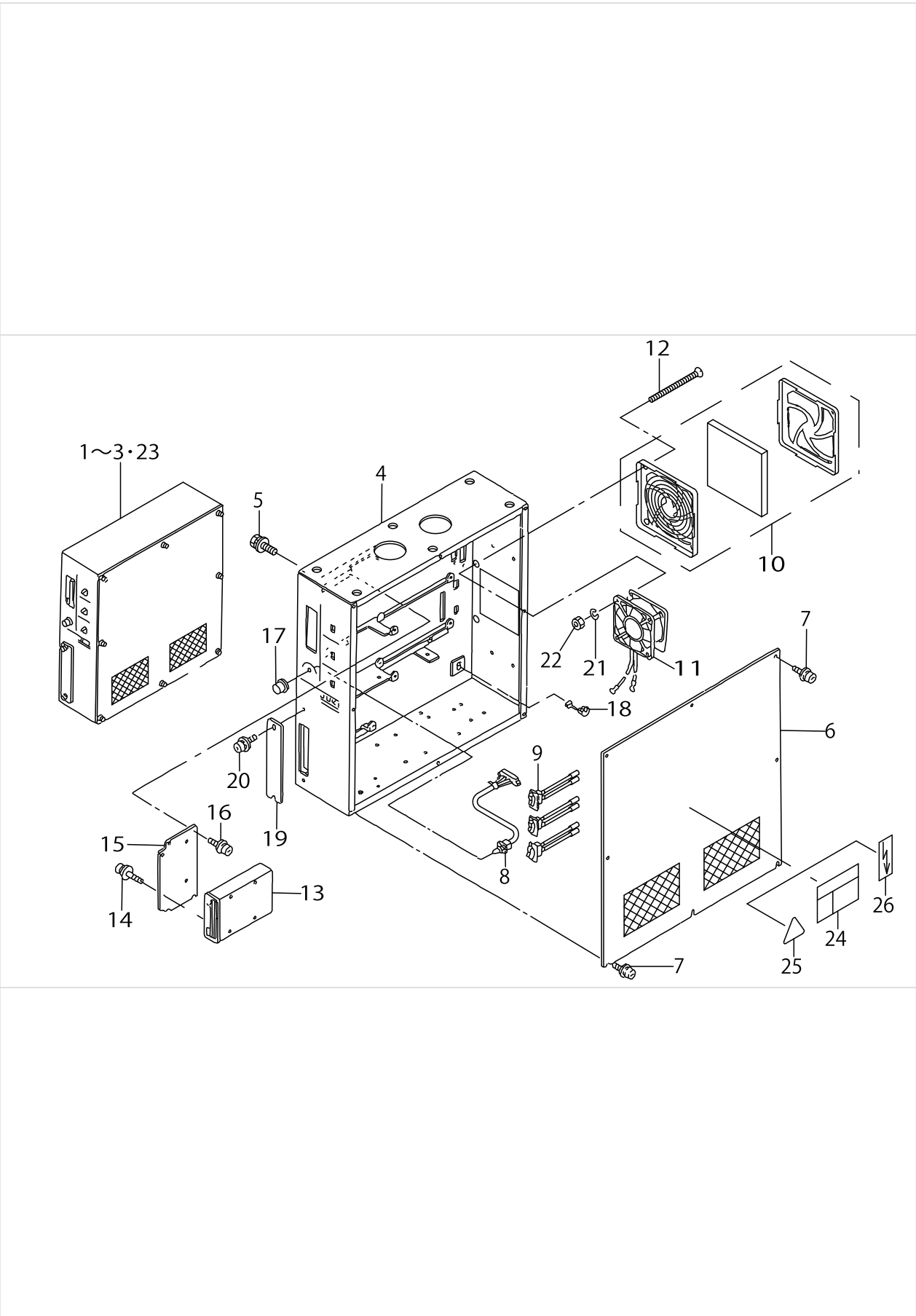
THREAD STAND COMPONENTS



THREAD STAND COMPONENTS

No.	Supply Code	Parts No.	Replacement	Parts name	Remarks	Choice	Step	Level	Cons	Qty	Rep. QTY
1	R	11185055	40096354	THREAD STAND ASM.						1	1.00
2	D	11185501		SPOOL RETAINER				*		2	
3	R	B3320704L00A	40085790	SPOOL PIN				*		2	1.00
4	D	B3311012000		SPOOL REST CUSHION				*		2	
5	D	11185006		SPOOL REST ARM				*		1	
6		SM4051405SE		SCREW M5 L=14				*		2	
7	R	11185402	40096354	THREAD GUIDE ARM JOINT				*		2	1.00
8	R	B3311704000	22931406	SPOOL REST ROD CAP				*		1	1.00
9	R	11185352	40096354	THREAD GUIDE ASM.				*		1	1.00
10	R	11185204	40096354	SPOOL REST ROD,UPPER				*		1	1.00
11	R	B3305704000A	40096354	SPOOL REST ROD JOINT				*		1	1.00
12		SM4051405SE		SCREW M5 L=14				*		2	
13		NM6050001SE		NUT M5				*		2	
14	R	11185105	40096354	SPOOL REST ROD,LOWER				*		1	1.00
15		NM6050001SE		NUT M5				*		2	
16	R	B3317704000	NM6160511SE	NUT				*		1	1.00
17		WP1612616SE		WASHER 16X30X2.6				*		2	
18		MAO11532000		CORD STAPLE				*		3	
19		NM6050001SE		NUT M5				*		2	

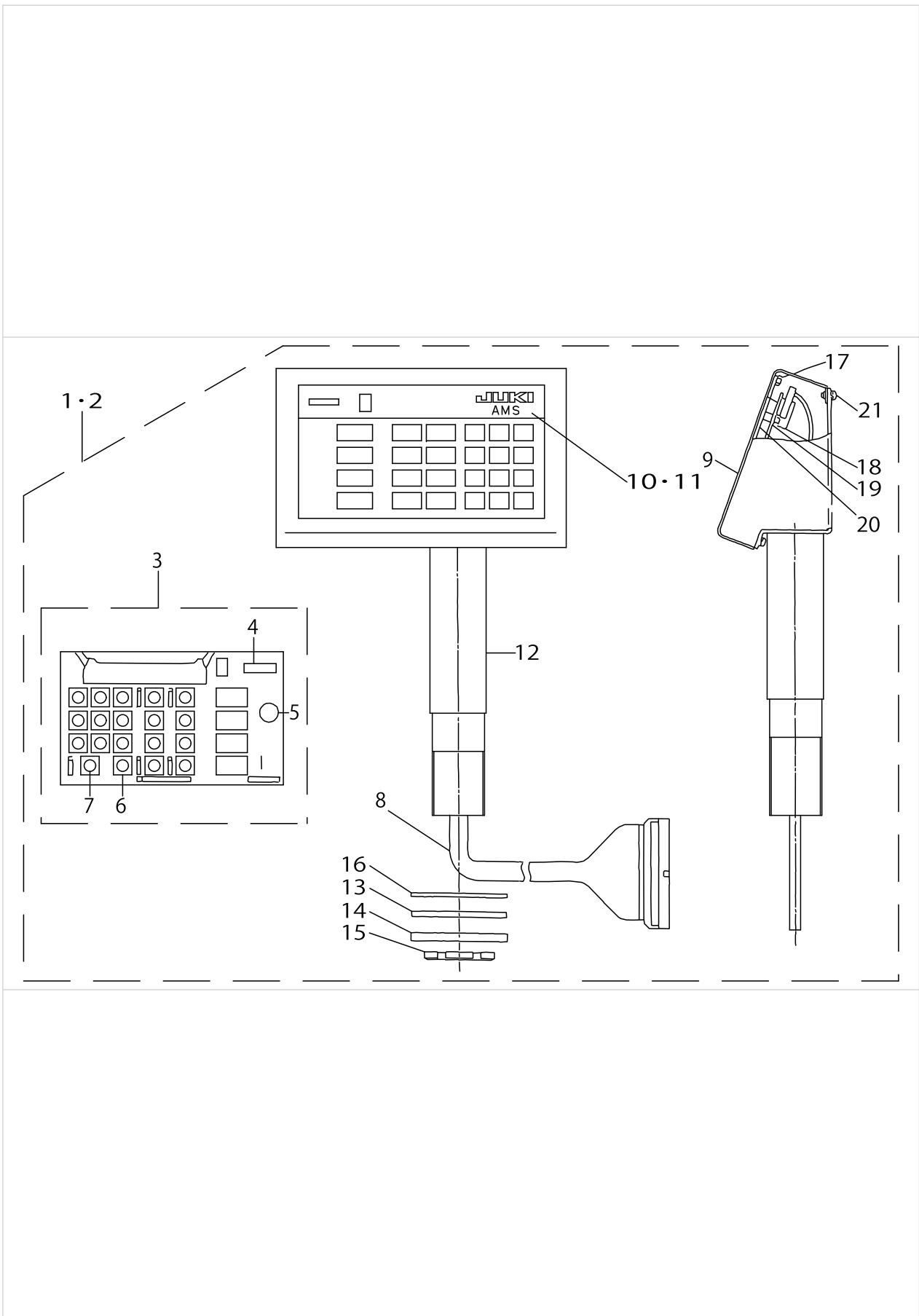
CONTROL COMPONENTS



CONTROL COMPONENTS

No.	Supply Code	Parts No.	Replacement	Parts name	Remarks	Choice	Step	Level	Cons	Qty	Rep. QTY
1		M8511518AA0A		CONTROL BOX ASM.	FOR DOME- STIC,EXPO- RT(AC200V)					1	
2		M8511518BA0A		CONTROL BOX ASM.	FOR DOME- STIC,EXPO- RT(AC100V)					1	
3	D	M8511518CA0A		CONTROL BOX ASM.	FOR EXPO- RT(AC380V)					1	
4		M1001518000		CONTROL BOX						1	
5		SL9082093SE		SCREW						5	
6		M10025130AA		CONTROL BOX COVER ASM.						1	
7		SL4041091SC		SCREW M4 L=10						8	
8	D	M85325180A0		SPEED VOLUME ASM.						1	
9		M85315180A0		SEESAW SWITCH ASM.						3	
10		HM000630010		FILTER						1	
11	D	M85785180A0		FAN ASM.						1	
12		SM1044050SM		SCREW M4X0.7 L=40						4	
13	R	HX003840000	40063909	FLOPPYDISK3.5INCH		A				1	1.00
13	R	HX003840000	S9622710000	FLOPPYDISK3.5INCH		A				1	1.00
14		SL4030691SC		SCREW M3X6						4	
15	D	M1011512000		FDD INSTALLING PLATE						1	
16		SL4041091SC		SCREW M4 L=10						4	
17		HX00114000B		KNOB						1	
18		HX000410000		TRANSFORMER						1	
19		M1010510000		PLATE						1	
20		SL4041091SC		SCREW M4 L=10						2	
21		WS0410002KN		SPRING WASHER						4	
22		NM6040001SB		NUT M4						4	
23		M8511518DA0A		CONTROL BOX ASM.	FOR JE(AC380V)					1	
24		CM300100101		DANGER LABEL (SMALL)	FOR DOME- STIC USE					1	
25		CM300100001		LABEL	FOR JE(AC380V)					1	
26		G6705152U0A		LABEL	FOR EXPORT					1	

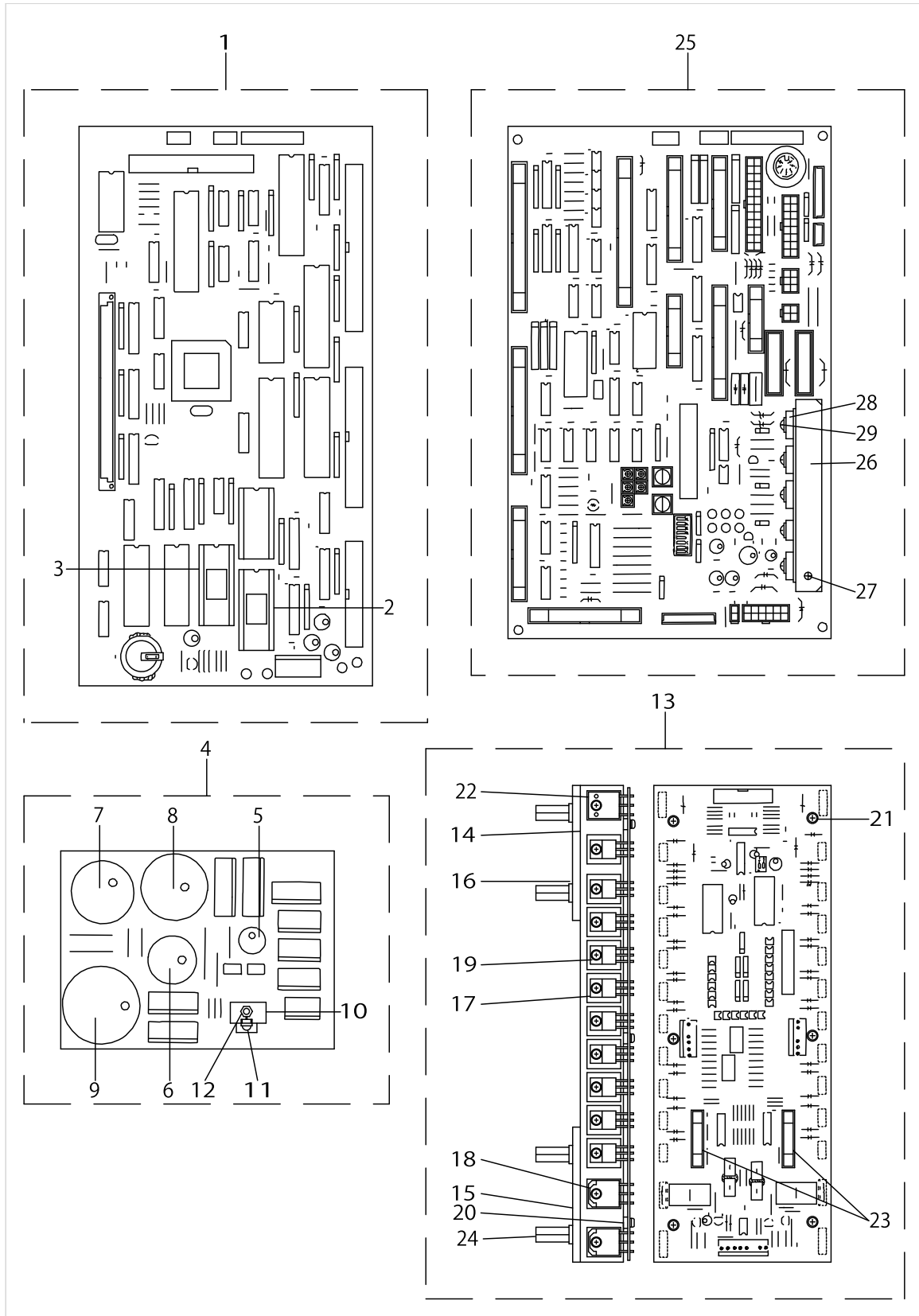
OPERATION BOX COMPONENTS



OPERATION BOX COMPONENTS

No.	Supply Code	Parts No.	Replacement	Parts name	Remarks	Choice	Step	Level	Cons	Qty	Rep. QTY
1		M8570518AA0		OPERATION BOX A ASM.	FOR DOME- STIC USE					1	
2		M8570518BA0		OPERATION BOX B ASM.	FOR EXPORT					1	
3		M8670510AA0		OPERATION PCB A ASM.				*		1	
4	D	HG003280000		DIODE (LD701VVR)				*		1	
5		HX001530000		BUZZER 1				*		1	
6	D	HG003290000		DIODE (LA301VLL)				*		13	
7		HA001410000		KEY SWITCH				*		19	
8	D	M90505180A0		SIGNALING CORD ASM.				*		1	
9		M1081518000		OPERATION BOX COVER				*		1	
10		M300451300G		PANEL SHEET(DOMESTIC)	FOR DOME- STIC USE			*		1	
11	D	M3010518000		OPERATION PANEL SHEET	FOR EXPORT			*		1	
12	D	M85715180A0		OPERATION BOX STAND ASM.				*		1	
13		M1076510000		VIBRATION-PROOF RUBBER PAD				*		1	
14		M1077510000		WASHER				*		1	
15		M1078510000		NUT				*		1	
16	D	M1075518000		WASHER				*		1	
17		NM6030001SC		NUT M3				*		4	
18		NM6030001SC		NUT M3				*		6	
19		WP0320500SC		WASHER M3				*		6	
20		M1082518000		OPERATION BOX BASE COVER				*		1	
21		SL4030681SC		SCREW M3 L=6				*		4	

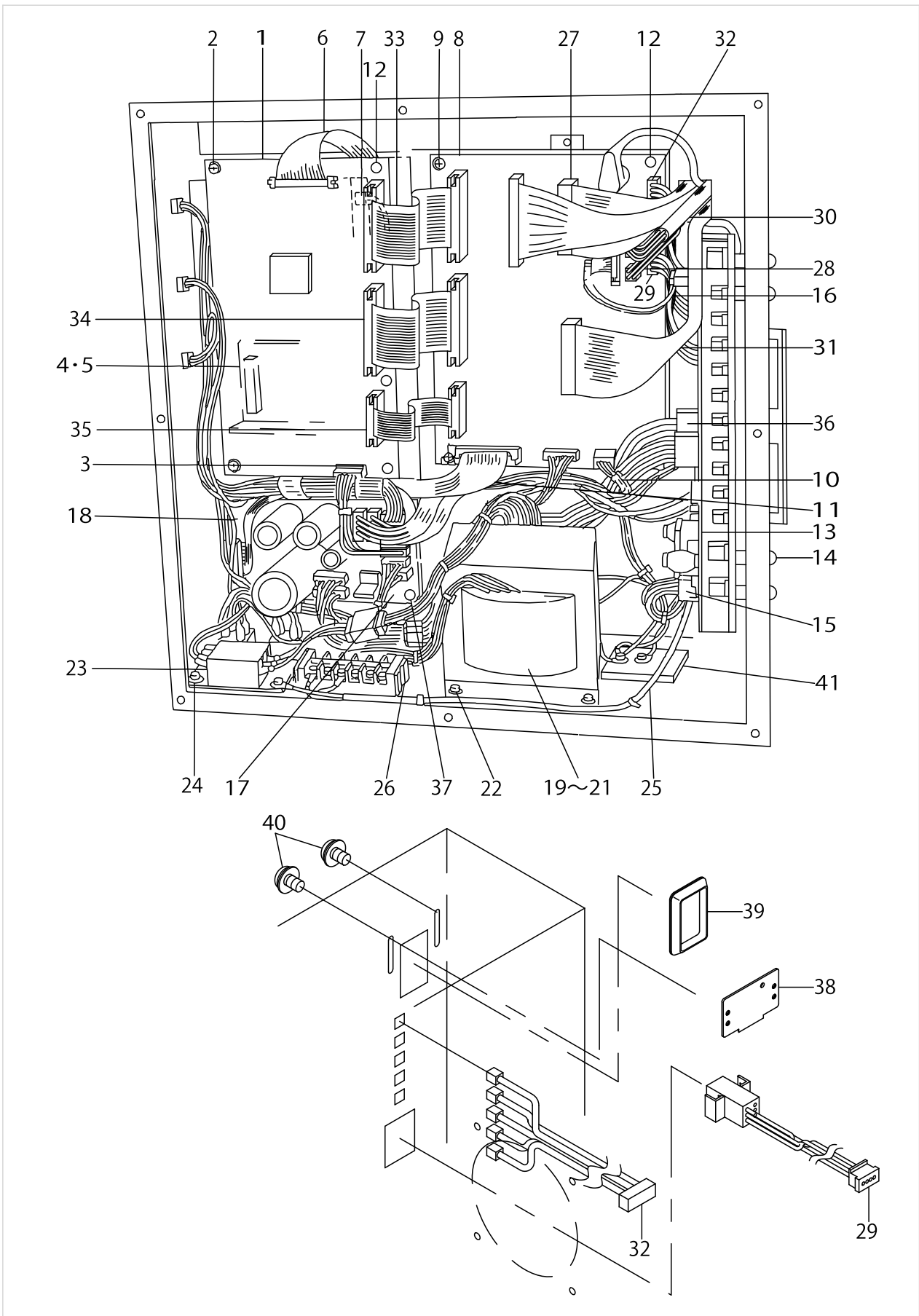
CIRCUIT BOARD COMPONENTS



CIRCUIT BOARD COMPONENTS

No.	Supply Code	Parts No.	Replacement	Parts name	Remarks	Choice	Step	Level	Cons	Qty	Rep. QTY
1	D	M8601518DB0		CPU PCB D ASM.						1	
2		HL014530023		IC				*		1	
3		HL014530022		IC				*		1	
4	D	M86045180A0		POWER BOARD ASM.						1	
5	D	HC010802210		CAPACITOR 220MF				*		1	
6		HC028801020		ELECT CAPACITOR 1000MF 100V				*		1	
7		HC018803320		CAPACITOR 3300MF				*		1	
8		HC034205620		ELECTROLYSIS ALUMINUM 100V				*		1	
9		HC018801030		CAPACITOR 10000MF				*		1	
10		GBR01713000		TRANSISTOR FIN B				*		1	
11		SL4030881SC		SCREW M3X8				*		2	
12		NM6030001SC		NUT M3				*		2	
13	D	M8603521AA0		PMDC PCB A ASM.						1	
14		M1003518000		HEAT SINK PLATE, C				*		2	
15	D	M1005518000		HEAT SINK PLATE,E				*		2	
16		SL4031481SC		SCREW M3 X 14				*		8	
17		HT002460000		TRANSISTOR (2SD1162)				*		20	
18	D	HG003270000		DIODE ARRAY				*		2	
19		SL4031081SC		SCREW M3 X 10				*		26	
20	D	M9609171000		SPACER				*		6	
21		SL4031481SC		SCREW M3 X 14				*		6	
22		HT002570000		TRANSISTOR				*		2	
23		E9628252000		FUSE 7A				*		2	
24		HX00339000C		PARTS				*		8	
25	D	M86025290B0A		I/F PCB ASM.						1	
26		M1001521000		HEAT SINK PLATE				*		1	
27		SL4030891SC		SCREW M3X8				*		2	
28		HT002570000		TRANSISTOR				*		3	
29		SL4031281SC		SCREW M3 L=12				*		5	

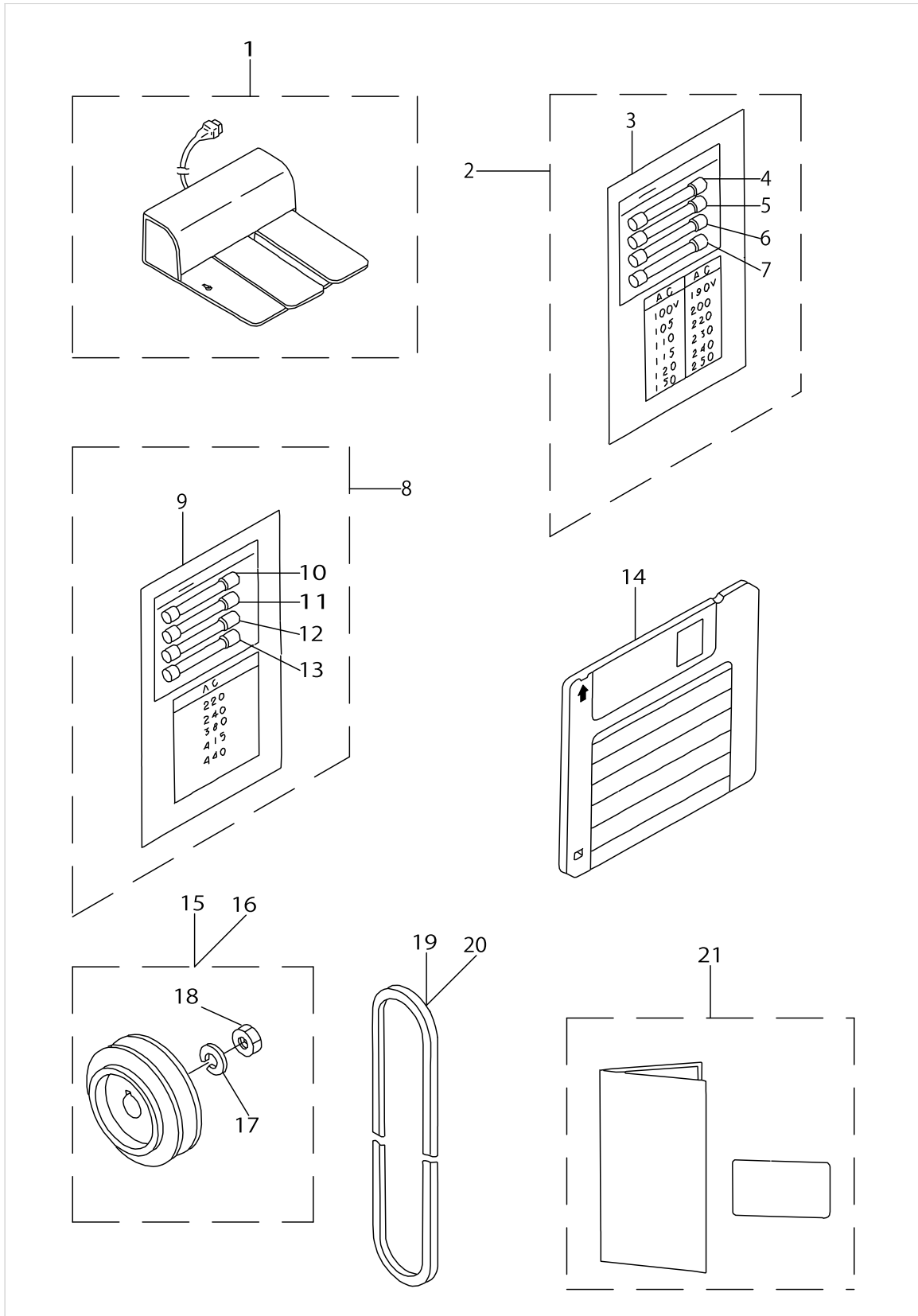
POWER SUPPLY & CORD COMPONENTS



POWER SUPPLY & CORD COMPONENTS

No.	Supply Code	Parts No.	Replacement	Parts name	Remarks	Choice	Step	Level	Cons	Qty	Rep. QTY
1	D	M8601518DB0		CPU PCB D ASM.						1	
2		SL4030891SC		SCREW M3X8						2	
3		M85545120A0		CPU POWER SOURCE CORD ASM.						1	
4	D	M85115120A0		REGULATOR ASM.						1	
5		SL4030891SC		SCREW M3X8						2	
6	D	M85465120A0		FDD SIGNALING CORD ASM.						1	
7		M85475120A0		FDD POWER SOURCE CORD ASM.						1	
8	D	M86025290B0A		I/F PCB ASM.						1	
9		SL4030891SC		SCREW M3X8						2	
10	D	M90065210A0		I/F CONTROL POWER CORD ASM.						1	
11	D	M85515120A0		PGM-1 SIGNALING CORD ASM.						1	
12		HX004150000		BOARD SUPPORT						4	
13	D	M8603521AA0		PMDC PCB A ASM.						1	
14		SL4040881SF		SCREW M4 L=8						8	
15		M85555120A0		PMDC POWER SOURCE CORD ASM.						1	
16		M85435120A0		PMDC SIGNALING CORD ASM.						1	
17	D	M86045180A0		POWER BOARD ASM.						1	
18	D	M85525120A0		PGM-1 POWER SOURCE CORD ASM.						1	
19		M8513518AA0		POWERTRANSAASM.	FOR 200V					1	
20	D	M8513518BA0		POWERTRANSBASM.	FOR 100V					1	
21	D	M8513518CA0		POWERTRANSCASM.	FOR 380V					1	
22		SL4051091SC		SCREW M5X0.8 L=10						4	
23	D	M85145120A0		RECTIFIER ASM.						1	
24		SL4041091SC		SCREW M4 L=10						3	
25	D	M8561510CA0		AC INPUT POWER CABLE ASM.						1	
26	D	HK045550060		TERMINAL						1	
27	D	M90045210A0		CENSOR RELAY CORD ASM.						1	
28	D	M90055210A0		CLUTCH BRAKE TRUNK CORD ASM.						1	
29		M90085210A0		PEDAL SWITCH TRUNK CORD ASM.						1	
30	D	M90075210A0		SOLENOID TRUNK CORD ASM.						1	
31	D	M90025210A0		ELECTROMAGNETIC VALVE CORD ASM						1	
32	D	M90095210A0		PK-47 TRUNK CORD ASM.						1	
33		M90105210A0		SIGNALING CORD A ASM.						1	
34		M90115210A0		SIGNALING CORD B ASM.						1	
35		M90125210A0		SIGNALING CORD C ASM.						1	
36	D	M90425180A0		PULSE MOTOR CORD ASM.						1	
37		HX00269000A		PCB SUPPORT						4	
38		17845009		CORDFITTINGPLATE						1	
39		HX004070000		BUSH						1	
40		SL4041091SC		SCREW M4 L=10						2	
41		M1011518000		EARTH PLATE A	FOR JE					1	

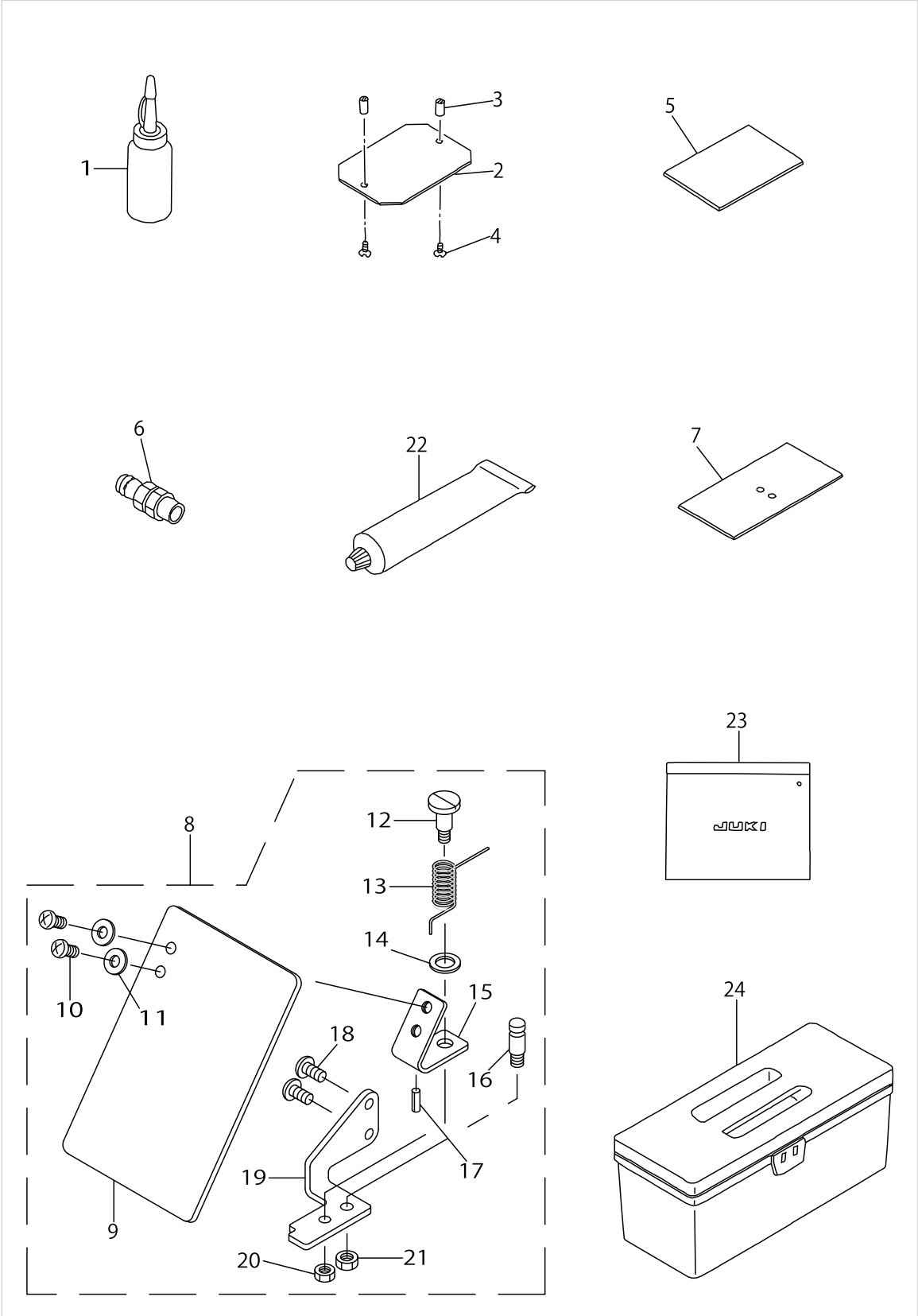
PEDAL & ELECTRIC EQUIPMENT ACCESSORIE PART COMPONENTS



PEDAL & ELECTRIC EQUIPMENT ACCESSORIE PART COMPONENTS

No.	Supply Code	Parts No.	Replacement	Parts name	Remarks	Choice	Step	Level	Cons	Qty	Rep. QTY
1		M85905130AA		PEDAL SWITCH ASM.						1	
2		M85995120A0		ACCESSORIES ASM.						1	
3		M3010110B00		VOLTAGE SHEET				*		1	
4		E9628252000		FUSE 7A				*		1	
5		HF001400700		TIME LAG FUSE 7A				*		1	
6		E9611601000		FUSE 1A				*		1	
7		E8523304000		FUSE 10A				*		1	
8		M85995120AB		ACCESSORIESBASM.	FOR 220V- ~440V(FOR EXPORT)					1	
9	D	M300451100B		VOLTAGE DISPLAY NOTE				*		1	
10		E9628252000		FUSE 7A				*		1	
11		HF001400700		TIME LAG FUSE 7A				*		1	
12		E9611601000		FUSE 1A				*		1	
13		E8523304000		FUSE 10A				*		1	
14		M8901521000		FLOPPY DISK	FLOPPY DI- SK IN SER- VICE PATTERN					1	
15	R	MTSP00950A0	MTSP00950B0	MOTOR PULLEY ASM. P.C.D. 95	FOR 50HZ					1	1.00
16	R	MTSP00800A0	MTSP00800B0	MOTOR PULLEY ASM. P.C.D. 80	FOR 60HZ					1	1.00
17		WS1002560KR		SPRING WASHER 10X18X2.5				*		1	
18		NM6550815SF		NUT				*		1	
19		MTJVM004700		V-BELT, 47 INCH						1	
20		MTJVM004800		V-BELT, 48 INCH	FOR SING- LE PHASE 50HZ					1	
21		M30045180A0		OPERATION PANEL SHEET ASM.	FOR EXPORT					1	

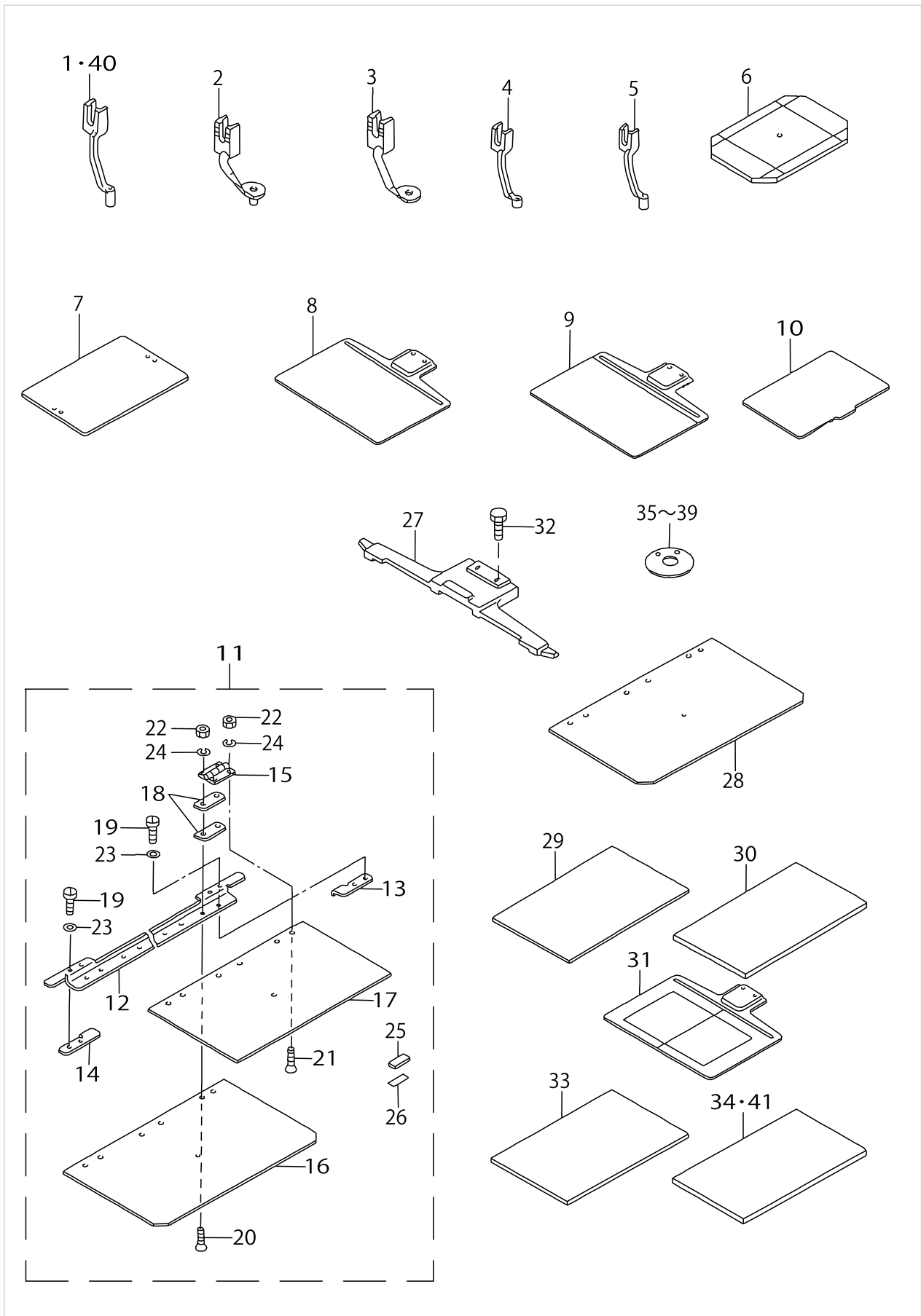
ACCESSORIE PART COMPONENTS



ACCESSORIE PART COMPONENTS

No.	Supply Code	Parts No.	Replacement	Parts name	Remarks	Choice	Step	Level	Cons	Qty	Rep. QTY
1		B91212200A0		OILER (CONTAINING NO.2 OIL)						1	
2	D	B2557220000		PLASTIC BLANK PLATE						2	
3		B2559220000		HINGE PIN						4	
4		SS1090510SP		SCREW 9/64-40 L=5						4	
5		B2591220000		RUBBER SHEET						2	
6	D	PJ309120001		QUICK COUPLING, SOCKET						1	
7	D	B1170220000		AUXILIARY COVER SHEET						2	
8	R	13551254	40052806	SAFETY PLATE ASM.						1	1.00
9	R	B3120372000	26037200	SAFETY PLATE				*		1	1.00
10		SS4110715SP		SCREW 11/64-40 L=7				*		2	
11		WP0450801SD		WASHER 4.5X10X0.8				*		2	
12		SD0601021SP		HINGE SCREW D=6 H=10.2				*		1	
13		13943204		SAFETY PLATE RETURN SPRING				*		1	
14		WP0740516SP		WASHER 7.4X11.8X0.5				*		1	
15	R	B3121372000	26037309	SAFETY PLATE INSTALLING PLATE				*		1	1.00
16	R	B1506352000	26226407	TENSION SPRING RACK B				*		1	1.00
17		PS0200062KH		SPRING PIN 2X6				*		1	
18		SS4110715SP		SCREW 11/64-40 L=7				*		2	
19	R	13551205	26235705	SAFETY PLATE INSTALLING BASE				*		1	1.00
20		NS6110310SP		NUT 11/64-40				*		1	
21		NS6120310SP		NUT 3/16-28				*		1	
22		13525506		GREASE TUBE						1	
23	R	B9101552000	22932800	ACCESSORY BOX						1	1.00
24		B8601WP10A0		TOOL BOX ASM.						1	

OPTIONAL PART COMPONENTS

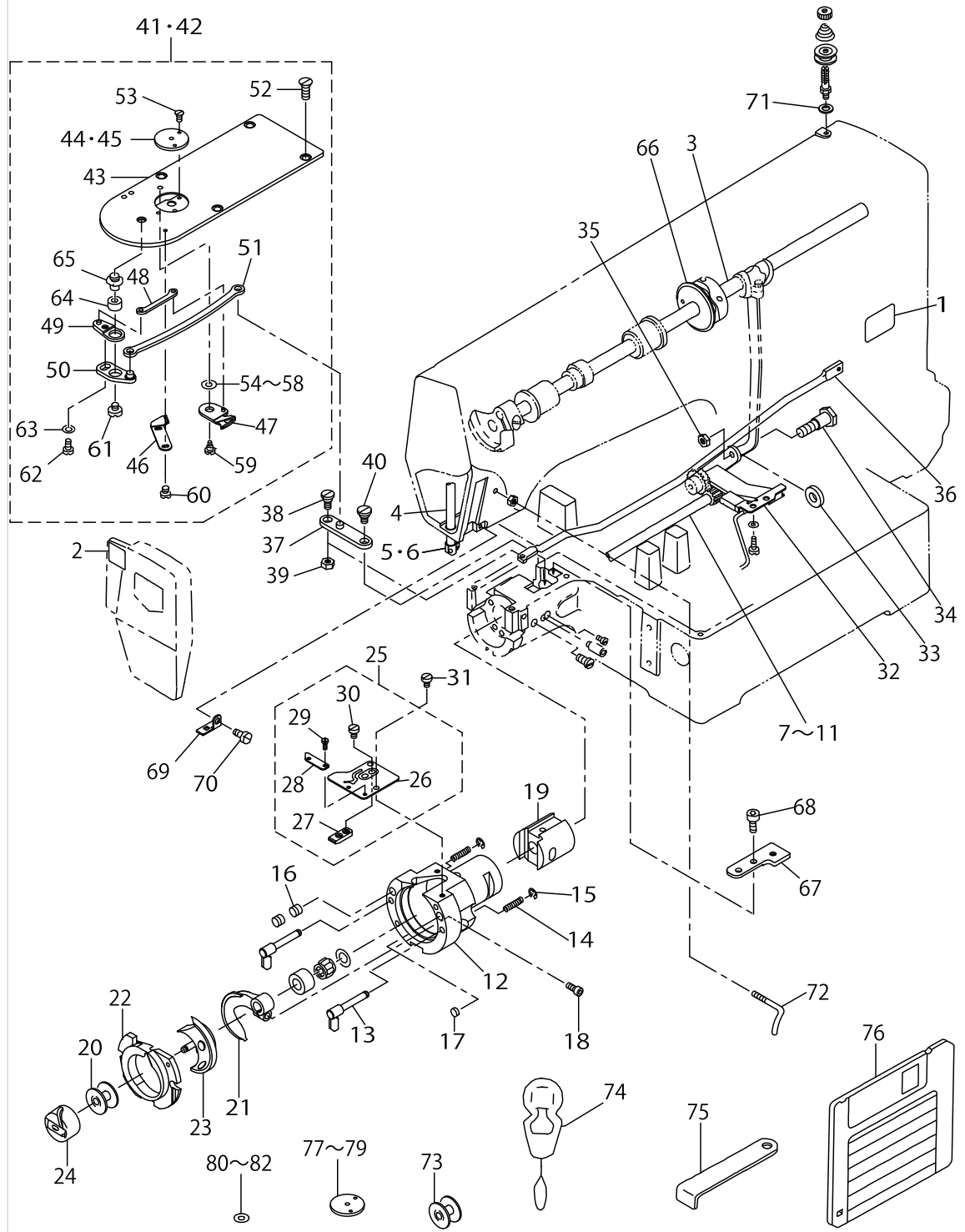


OPTIONAL PART COMPONENTS

No.	Supply Code	Parts No.	Replacement	Parts name	Remarks	Choice	Step	Level	Cons	Qty	Rep. QTY
1		B160122000B		INTERMEDIATE PRESSER B						1	
2		B160122000C		INTERMEDIATE PRESSER C						1	
3		B160122000D		INTERMEDIATE PRESSER D						1	
4		B160122000E		INNER PRESSER (E)						1	
5		B160122000F		INNER PRESSER (F)						1	
6	D	B2593220000		GAUGE						1	
7	D	B25532200Y0		FEEDING FRAME BLANK						1	
8	D	B25562200YB		FEED PLATE BLANK						1	
9	D	B25562200Y0		FEED PLATE BLANK						1	
10	D	B259122000B		SPONGE SHEET						1	
11	D	B25822200A0		CASSETTE HOLDER ASSEMBLY						1	
12	D	B2582220000		CASSETTE HOLDER ASSEMBLY				*		1	
13		B2595210000		PLACE DECISION BOARD RIGHT				*		1	
14		B2596210000		PLACE DECISION BOARD LEFT				*		1	
15	D	B2597210000		CASSETTE HOLDER HINGE				*		3	
16	D	B2583220000		CASSETTE PRESSE- R LOWER BOARD				*		1	
17		B2584220000		CASSETTE PRESSE- R UPPER BOARD				*		1	
18		B2589210000		CASSETTE PRESSER SPACER				*		6	
19		SM5030655SP		SCREW				*		4	
20		SM1031001SC		SCREW M3X0.5 L=10				*		6	
21		SM1030601SC		SCREW M3 L=6				*		6	
22		NM60300000A		NUT M3X0.5				*		12	
23		WP0320501SC		WASHER M3				*		4	
24		WS0310002KN		SPRING WASHER M3				*		12	
25		B2585220000		CASSETTE PRESSE- R RUBBER MAGNET				*		2	
26		B2586220000		MAGNET BOARD				*		2	
27	D	B2581220000		CASSETTE HOLDER FIXING PLATE						1	
28	D	B2589220000		CASSETTE HOLDER LOWER PLATE B						1	
29		B2587220000		WORK CLAMP PAP- ER MATERIAL (A)						1	
30		B2588220000		WORK CLAMP PAP- ER MATERIAL (B)						1	
31	D	B2594220000		STANDARD LOWER PLATE						1	
32		SS9151440CP		SCREW15/64-28L=14						2	
33		B259522000A		PRESSER CLOTH SHEET						1	
34		B259522000B		PRESSER CLOTH SHEET B						1	
35		B242621000B		NEEDLE HOLE GUIDE D=2.0						1	
36		B242621000C		NEEDLE HOLE GUIDE D=1.6						1	
37		B242621000D		NEEDLE HOLE GUIDE D=2.4						1	
38		B242621000F		NEEDLE HOLE GUIDE D=3.0						1	
39		B242621000G		NEEDLE HOLE GUIDE D=3						1	
40		B160122000G		INNER PRESSER G						1	
41	D	B259522000C		PRESSER CLOTH SHEET						1	

AMS-220P EXCLUSIVE PART COMPONENTS

(Caution) Please understand that the specifications of the current
AMS-220C cannot be modified to those of the AMS-220P.
(注意) 現行のAMS-220CからAMS-220Pへ改造による仕様変更はできません。
ご了承ください。

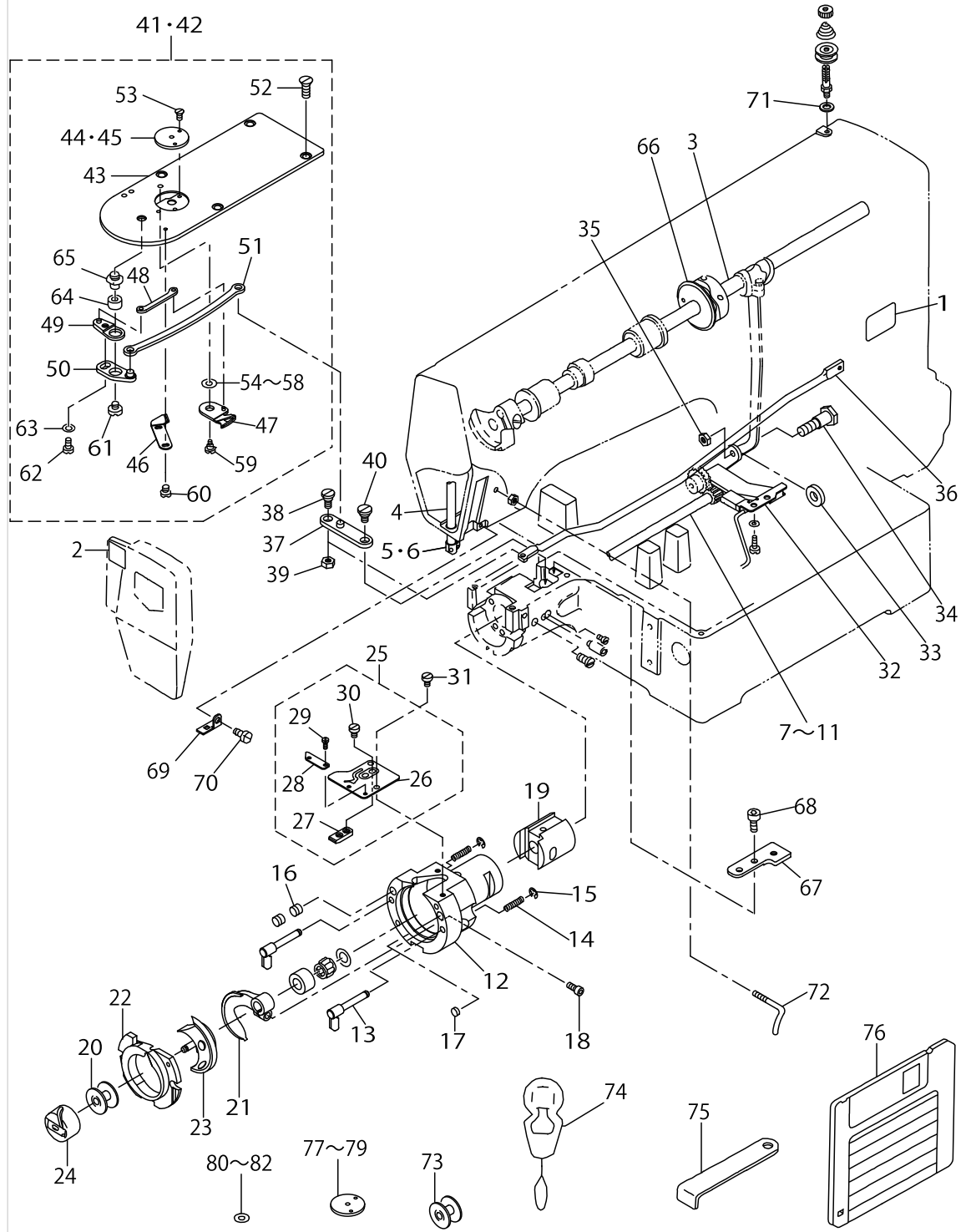


AMS-220P EXCLUSIVE PART COMPONENTS

No.	Supply Code	Parts No.	Replacement	Parts name	Remarks	Choice	Step	Level	Cons	Qty	Rep. QTY
1		B1114220P00		MODEL NAME PLATE						1	
2		B1191215P00		NEEDLE SETTING LABEL						1	
3		B1201215P00		MAIN SHAFT						1	
4		B1401215P00		NEEDLE BAR						1	
5		B1405215P00		THREAD GUIDE A						1	
6		B1406215P00		THREAD GUIDE H	FOR HEAVY-WEIGHT MATERIAL					1	
7		B1811215PAA		SHUTTLE DRIVING SHAFT ASM.	SELECTIVE PART					1	
8		B1811215PAB		SHUTTLE DRIVING SHAFT ASM.	SELECTIVE PART					1	
9		B1811215PAC		SHUTTLE DRIVING SHAFT ASM.	SELECTIVE PART					1	
10		B1811215PAY		SHUTTLE DRIVING SHAFT ASM.	SELECTIVE PART					1	
11		B1811215PAZ		SHUTTLE DRIVING SHAFT ASM.	SELECTIVE PART					1	
12		B1814215P00		SHUTTLE						1	
13	R	B1820215PA0A	26501858	INNER HOOK PRESSER ASM.						2	1.00
14		B1822215P00		INNER HOOK PRESSER SPRING						2	
15		RE0300000K0		E-RING 3						2	
16		B1226552000		ROLLER FELT						2	
17		13529607		SHUTTLE PACKING						1	
18		SS6121212TP		SCREW 3/16-28 L=12.0						1	
19		B1831215P00		BUSHING, FRONT						1	
20		B1805215P00		BOBBIN						1	
21		B1812215P00		SHUTTLE DRIVER						1	
22		B1817215PA0		SHUTTLE RACE RING ASM.						1	
23		B1818215P00		SHUTTLE						1	
24		B1828215PA0		BOBBIN CASE ASM.						1	
25		B1815215PA0		SHUTTLE UPPER SPRING ASM.						1	
26	D	B1815215P00		SHUTTLE UPPER SPRING				*		1	
27		B1840215P00		LOOP RECEIVING PLATE				*		1	
28	R	B1841215P00	B1815215PA0	LOWER THREAD HOLDER				*		1	1.00
29		SS6060220SP		SCREW 3/32-56 L=2.0				*		2	
30		SS6090420SP		SCREW 9/64-40 L=4.0				*		2	
31		SS6090420SP		SCREW 9/64-40 L=4.0				*		2	
32		B3506220PA0		OIL FELT SUPPORTING PLATE ASM.						1	
33		B1842215P00		CRANK ROD SPACER						1	
34		B1843215P00		HINGE SCREW						1	
35		NS6660430SP		NUT 1/4-40						1	
36		B2413215P00		KNIFE DRIVING BAR						1	
37		B2430215PA0		CONNECTING ARM ASM.						1	
38		SD0640326TP		HINGE SCREW						1	
39		NS6110310SP		NUT 11/64-40						1	
40		SD0640326TP		HINGE SCREW						1	
41	D	B2425210PA0		NEEDLE PLATE ASM.						1	
42	D	B2425210PAB		NEEDLE PLATE ASM., H	FOR HEAVY-WEIGHT MATERIAL					1	
43	D	B2425210P00		NEEDLE PLATE				*		1	
44		B2426215P0A		NEEDLE HOLE GUIDE D=1.6				*		1	

AMS-220P EXCLUSIVE PART COMPONENTS

(Caution) Please understand that the specifications of the current
AMS-220C cannot be modified to those of the AMS-220P.
(注意) 現行のAMS-220CからAMS-220Pへ改造による仕様変更はできません。
ご了承ください。

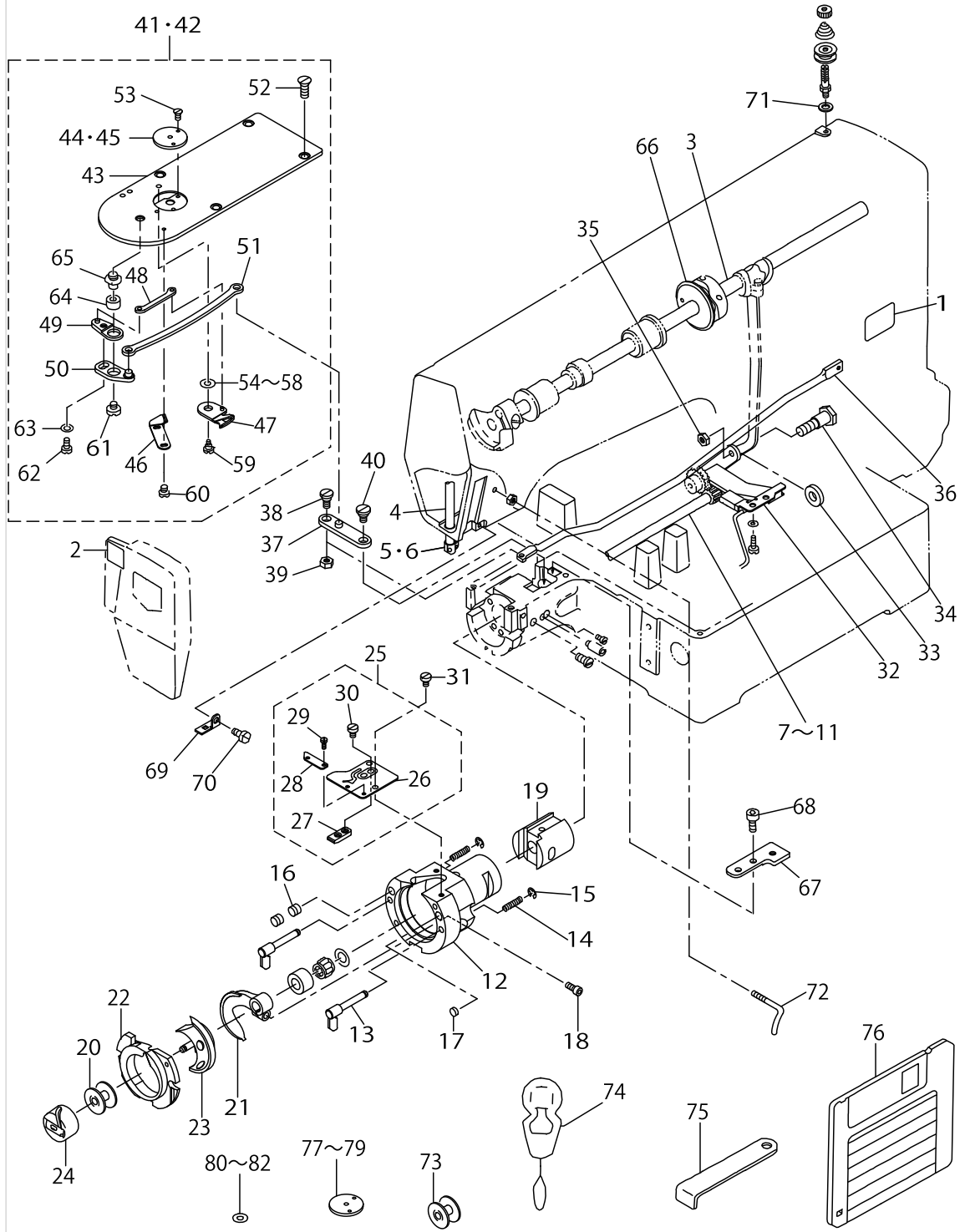


AMS-220P EXCLUSIVE PART COMPONENTS

No.	Supply Code	Parts No.	Replacement	Parts name	Remarks	Choice	Step	Level	Cons	Qty	Rep. QTY
45		B2426215P0B		NEEDLE HOLE GUIDE D=2.0	FOR HEAVY-WEIGHT MATERIAL			*		1	
46		B2424215P00		COUNTER KNIFE				*		1	
47		B2421215PA0		MOVING KNIFE ASM.				*		1	
48	D	B2418215P00		MOVING KNIFE LINK				*		1	
49		B2415215PA0		TRIMMING LEVER ASM. (SMALL)				*		1	
50		B2414215PA0		MOVING KNIFE DRIVING LEVER ASM				*		1	
51		B2432215P00		THREAD TRIMMING ROD				*		1	
52		SS1110640TP		SCREW 11/64-40 L= 5.5				*		4	
53		SS1060210TP		SCREW 3/32-56 L=2.2				*		2	
54		B242328000C		MOVING KNIFE WASHER C	SELECTIVE PART			*		1	
55		B242328000D		MOVING KNIFE WASHER D	SELECTIVE PART			*		1	
56		B242328000E		MOVING KNIFE WASHER E	SELECTIVE PART			*		1	
57		B242328000F		MOVING KNIFE WASHER F	SELECTIVE PART			*		1	
58		B242328000G		MOVING KNIFE WASHER G	SELECTIVE PART			*		1	
59		B2417210000		MOVING KNIFE HINGE SCREW				*		1	
60		SS7060310SP		SCREW 3/32-56 L=3				*		2	
61		SS6110430TP		SCREW 11/64-40 L= 4.0				*		1	
62		SS7110740TP		SCREW 11/64-40 L=7				*		1	
63		WP0450846SP		WASHER				*		1	
64		B2416280000		THREAD CUTTING LEVER RING				*		1	
65		B2417280000		THREAD CUTTER LEVER SHAFT				*		1	
66	D	B2401215P00		THREAD TRIMMING CAM						1	
67		B2431215P00A		THREAD CONNECTION PLATE						1	
68		SS6111052TP		SCREW						2	
69		B1129210000		FRAME THREAD GUIDE (B)						1	
70		SS7110840SP		SCREW 11/64-40 L=7.8						1	
71		WP0641600SC		WASHEW6.4X12.5X1.6						1	
72		B1125215P00		L-SHAPED THREAD GUIDE						1	
73		B1805215P00		BOBBIN	ACCESSORIE PART FOR AMS-220P					1	
74		B9107761000		THREAD PASSING INSTRUMENT	ACCESSORIE PART FOR AMS-220P					1	
75		B9101490000		DRIVER	ACCESSORIE PART FOR AMS-220P					1	
76		M890152100P		FLOPPY DISK P	ACCESSORIE PART FOR AMS-220P					1	
77		B2426215P0C		NEEDLE HOLE GUIDE D=2.4	OPTIONAL PART FOR AMS-220P					1	
78		B2426215P0D		NEEDLE HOLE GUIDE D=3.0	OPTIONAL PART FOR AMS-220P					1	
79		B2426215P0E		NEEDLE HOLE GUIDE D=3.0 C.BORE	OPTIONAL PART FOR AMS-220P					1	
80		B242328000D		MOVING KNIFE WASHER D	ACCESSORIE PART FOR AMS-220P					1	

AMS-220P EXCLUSIVE PART COMPONENTS

(Caution) Please understand that the specifications of the current
AMS-220C cannot be modified to those of the AMS-220P.
(注意) 現行のAMS-220CからAMS-220Pへ改造による仕様変更はできません。
ご了承ください。



AMS-220P EXCLUSIVE PART COMPONENTS

No.	Supply Code	Parts No.	Replacement	Parts name	Remarks	Choice	Step	Level	Cons	Qty	Rep. QTY
81		B242328000F		MOVING KNIFE WASHER F	ACCESSO- RIE PART FOR AMS-220P					1	
82		B242328000G		MOVING KNIFE WASHER G	ACCESSO- RIE PART FOR AMS-220P					1	

HOW TO MAKE USE OF THIS PARTS LIST

1.As to "#01" and "#02" refer to the "Note" given at the bottom of the respective pages.

2.Codes on the "Qty" column

- Each numeral indicates the number of parts required.
- "0.1" and "2.5" indicate the length (in meters) of the respective parts.

3.Parentheses mean that the corresponding part is a subpart that constructs an assembly part.

4.Dotted lines on the Figures indicate assembly parts.

1. リストページの# 0 1、# 0 2の印は、ページ下の"注記"の説明を参照下さい。
2. 数量欄の数字は、個数を表し、0. 1、2. 5等の数値は、長さ（単位メートル）を表します。
3. 数量欄の（ ）は、組部品を構成している子部品であることを意味します。
4. イラストページの-----枠は、組構成であることを意味します。

NUMERICAL INDEX OF PARTS

PART NO	PAGE	REF NO.	PART NO	PAGE	REF NO.	PART NO	PAGE	REF NO.
10007003	2	28	B1112220000	6	4	B12052100AA	10	17
10129104	4	78	B1113220000	6	5	B12052100BA	10	16
11071701	14	30	B1114220P00	66	1	B1206210000	10	9·65
11150208	48	50	B1115220000	8	4	B1206210A00	12	9·65
11150406	48	51	B1115232000	2	71	B1207205000	10	11
11185006	50	5	B1115232000	4	71	B12082100A0	10	19
11185055	50	1	B11152320A0	2	69	B12092200A0	10	2
11185105	50	14	B11152320A0	4	69	B12102200A0	10	4
11185204	50	10	B1117220000	2	2	B1223771000	12	47
11185352	50	9	B111822000A	6	6	B1226552000	66	16
11185402	50	7	B1120220000	8	5	B1401210000	10	23·66
11185501	50	2	B1121220000	6	7	B1401210A00	12	23·66
11571908	46	46	B112222000B	2	3	B1401215P00	66	4
13508205	18	33	B112322000B	2	4	B1402280000	10	24
13508403	18	8	B1123280000	2	40	B1403280000	10	27
13508700	18	35	B1124220000	2	5	B1404280000	10	31
13508809	18	36	B1124280000	2	41·74	B1405012000	4	63
13508908	18	37	B1125215P00	68	72	B1405210000	10	25
13512405	22	24·90	B1125220000	2	6	B1405215P00	66	5·6
13513205	26	12	B1125280000	2	42·76	B1406210000	12	48
13513304	26	13	B1126210000	2	36	B1406215P00	66	5·6
13525506	62	22	B1126552000	2	43	B14115520A0	12	67
13529607	40	53	B112821000B	2	37	B1411804A00	10	40~43
13529607	66	17	B1129210000	4	41·74	B1411804A00	18	29~32
13530209	38	38	B1129210000	68	69	B1411804B00	10	40~43
13551205	62	19	B1130215000	8	26	B1411804B00	18	29~32
13551254	62	8	B1132521000	4	77	B1411804C00	10	40~43
13768106	48	80	B1143210000	4	86	B1411804C00	18	29~32
13816608	2	39	B1145210000	4	75	B1411804D00	10	40~43
13816855	18	34	B1150220000	8	6	B1411804D00	18	29~32
13817408	24	8·15	B1151220000	8	7	B1414232000	10	26
13817457	24	1·2	B1152220000	8	8	B1419026000	38	3
13943204	62	13	B11532200A0	8	9	B1502220000	6	15
17845009	58	38	B115822000B	8	10	B1505205000	48	85
20243200	46	26	B1159220A00	8	11	B1506352000	48	49
B110422000B	2	8	B1161220B00	32	6	B1506352000	62	16
B11042200AB	2	7	B1170220000	6	8	B1509227000	14	28
B110522000A	2	1	B1170220000	62	7	B1510227000	14	29
B110622000B	8	1	B1178191000	2	45	B1601220000	14	1·57·60
B1107220A00	8	2	B1191215P00	66	2	B160122000B	64	1·40
B1108220000	6	1	B1201215P00	66	3	B160122000C	64	2
B1109220000	6	2	B1201220000	10	1	B160122000D	64	3
B111022000A	6	3	B1202210000	10	7	B160122000E	64	4
B1111220000A	8	3	B1203280000	10	30	B160122000F	64	5
B1111232000	2	38	B12042100A0	10	8	B160122000G	16	1·57·60

NUMERICAL INDEX OF PARTS

PART NO	PAGE	REF NO.	PART NO	PAGE	REF NO.	PART NO	PAGE	REF NO.
B160122000G	64	1·40	B18112200AA	18	1	B1905541A00	10	36~39
B160122000H	16	1·57·60	B1812205000	18	10·84	B1905541B00	10	36~39
B1602220000	14	2	B1812210000	20	10·84	B1905541C00	10	36~39
B1603220000	14	3	B1812215P00	66	21	B1905541D00	10	36~39
B1604220000	14	4	B1813980000	18	16	B2101220000	24	33
B1605220000	14	5	B1814215P00	66	12	B21012200A0	24	18
B1606220000	14	6	B1814980000	18	17	B2102205000	24	22
B1608220000	14	7	B1815210000	20	18·85	B2103220000	24	34
B1609220000	14	8	B1815215P00	66	26	B2104220000	24	19
B1610220000	14	9	B1815215PA0	66	25	B2106220000	24	20
B1611220000	14	10	B1815980000	18	18·85	B2107210000	24	21
B1611224000	16	48	B1816210000	20	87	B2301210000	26	7
B1612220000	14	11	B1816280000	34	45	B23012100A0	26	6
B1613220000	14	12	B18172050A0	18	3·11·86	B23022050AA	24	1·2
B1614220000	14	13	B18172050AB	18	3·11·86	B2302210000	26	8
B1615220000	14	14	B18172100AB	20	3·11·86	B2302280000	24	4
B1615224000	16	50	B1817215PA0	66	22	B2303280000	24	36
B1616220000	14	15	B1818205000	18	4·12·88	B23042200A0	26	1
B1620220000	14	16	B181820500B	18	4·12·88	B2305210000	26	5
B1620224000	16	56	B1818210000	20	4·12·88	B2306220000	26	2
B1621220000	14	17	B1818215P00	66	23	B2307220000	26	3
B1621224000	16	51	B1819280000	18	21	B2308220000	26	4
B1622224000	16	52	B1820215PA0A	66	13	B2310220000	26	21
B16242200A0	14	21	B1820280000	18	22	B2311220000	26	22
B1625220000	14	22	B1821280000	18	23	B2312210A00	12	54·68
B1625224000	16	54	B1822215P00	66	14	B2312220000	12	54·68
B1626220000	14	18	B1823280000	18	24·90	B2313280000	24	3
B1626220000	34	40	B18282050A0	18	13·89·92	B2401205000	12	56
B1627220000	14	19	B18282050AA	22	13·89·92	B2401215P00	68	66
B1628220000	14	20	B18282100A0	20	13·89·92	B2402220000	26	20
B1629224000	16	49	B1828215PA0	66	24	B24022200A0	26	19
B1634210000	16	59	B1831215P00	66	19	B2403210000	26	23
B1802210000	18	14	B1831220000	18	6	B2404220000	26	28
B18042800A0	18	19	B1832220000	18	7	B24042200A0	26	27
B1805205000	18	9·83·93	B1840215P00	66	27	B2405210000	26	30
B180520500B	22	9·83·93	B1841215P00	66	28	B2406210000	26	31
B1805210A00	20	9·83·93	B1842215P00	66	33	B2407210000	26	32
B1805215P00	66	73	B1843215P00	66	34	B2408210000	26	44
B1805215P00	68	73	B19012100B0	10	28·29	B2409210000	26	42
B1805980000	18	15	B1901280000	10	32	B2410220000	26	41
B1811215PAA	66	7~11	B19012800B0	10	28·29	B24102200A0	26	40
B1811215PAB	66	7~11	B1902280000	10	33	B2411210000	26	33
B1811215PAC	66	7~11	B1903280000	10	34	B2412220000	26	18
B1811215PAY	66	7~11	B1903552000	10	35	B2413215P00	66	36
B1811215PAZ	66	7~11	B1904280000	12	46	B2413220000	26	29

NUMERICAL INDEX OF PARTS

PART NO	PAGE	REF NO.	PART NO	PAGE	REF NO.	PART NO	PAGE	REF NO.
B2414210000	26	45	B242621000F	64	35~39	B2551220000	34	5
B2414215PA0	68	50	B242621000G	64	35~39	B2552220000	34	13
B24142800A0	20	67	B2426215P0A	66	44·45	B2553220000	34	15
B2415210000	26	46	B2426215P0B	68	44·45	B25532200A0	34	14
B2415215PA0	68	49	B2426215P0C	68	77~79	B25532200Y0	64	7
B24152800A0	20	65·66	B2426215P0D	68	77~79	B2554220000	34	28
B24162100A0	20	65·66	B2426215P0E	68	77~79	B2555220000	34	29
B2416280000	20	64	B2430215PA0	66	37	B2556220000	34	1
B2416280000	68	64	B2431215P00A	68	67	B25562200Y0	64	9
B2417210000	20	77·78	B2432215P00	68	51	B25562200YB	64	8
B2417210000	68	59	B2501220000	30	3	B2557220000	62	2
B2417280000	20	68	B2501220AA0	30	2	B255728000A	36	63~67
B2417280000	68	65	B2501220BB0	30	1	B255728000B	36	63~67
B2418215P00	68	48	B2502220000	30	4	B255728000C	36	63~67
B2418280000	20	63	B2503220000	30	5	B255728000D	36	63~67
B24212050A0	20	61·62	B2504215000	30	21	B255728000E	30	36
B2421210AA0	20	61·62	B2505220000A	30	22	B255728000E	36	63~67
B2421215PA0	68	47	B2506215000	30	23	B2558220000	34	16
B242328000A	20	69~72	B2507220000	30	6	B2559220000	62	3
B242328000B	20	69~72	B2508220000	30	7	B2560220000	34	17
B242328000C	20	69~72	B2509229000	30	24	B2561220000	34	18
B242328000C	68	54~58	B2510220000	32	1	B2562220000	34	30
B242328000D	20	69~72	B2511220000	32	2	B256322400B	34	31
B242328000D	68	80~82	B2512220A00	30	8	B2564220000	34	19
B242328000E	68	54~58	B2513220A00	30	25	B2565220000	34	6
B242328000F	68	80~82	B2515220000	30	26	B2566220000	34	32
B242328000F	70	80~82	B2517215000	32	7	B2567220000	34	7
B242328000G	68	80~82	B2519220000	30	9	B2568220000	34	33
B242328000G	70	80~82	B252022000A	30	10	B2569220000	34	8
B2424210000	20	81·82	B252022000B	30	11	B2570220000	34	34
B2424210A00	20	81·82	B2521220000	30	12	B2572220000	34	9
B2424215P00	68	46	B252222000C	30	14	B25722200A0	34	4
B2425210P00	66	43	B25222200AA	30	13	B2573220000	34	35
B2425210PA0	66	41·42	B25242200A0	32	3	B2574220000	34	36
B2425210PAB	66	41·42	B2526215000	32	8	B2576220000	34	37
B24252200AB	20	55~57	B2526220000	30	37	B2578220000	34	38
B2425220AA0	20	55~57	B2527210000	30	15	B2580220000	34	39
B2425224000	20	80	B2529215000	32	12	B2581220000	64	27
B24252240A0	20	55~57	B2529215A00	32	13	B2582220000	64	12
B242621000A	20	58~60	B2532220000	32	4	B25822200A0	64	11
B242621000B	20	58~60	B2533220000	32	5	B2583220000	64	16
B242621000B	64	35~39	B2535220000	30	27	B2584220000	64	17
B242621000C	64	35~39	B2540205B00	30	33	B2585220000	64	25
B242621000D	64	35~39	B2550220000	34	3	B2586220000	64	26
B242621000F	20	58~60	B25502200A0	34	2	B2587220000	64	29

NUMERICAL INDEX OF PARTS

PART NO	PAGE	REF NO.	PART NO	PAGE	REF NO.	PART NO	PAGE	REF NO.
B2588220000	64	30	B3210210000	2	17	B471022000D	14	23
B2589210000	64	18	B3211210000	2	18	B471122000A	14	26
B2589220000	64	28	B3212210000	2	19	B471122000B	14	27
B2591220000	62	5	B3212761000	2	20	B471122000C	36	46
B259122000B	64	10	B3213205000	10	44	B471122000D	36	47
B2592220000	34	20	B3305704000A	50	11	B471122000G	36	48
B2593220000	64	6	B3311012000	50	4	B471122000H	36	49
B2594220000	64	31	B3311704000	50	8	B47122150A0	44	25
B2595210000	64	13	B3317704000	50	16	B4715223CA0	44	3
B259522000A	64	33	B3320704L00A	50	3	B47162150A0	44	24
B259522000B	64	34-41	B3501210000	38	31	B810322000B	46	21
B259522000C	64	34-41	B3502220000	38	1	B8108220000	46	23
B2596210000	64	14	B3504220000	38	10	B8109220000	46	24
B2597210000	64	15	B3504280000	40	55	B8110220000	46	39
B2629980000	48	48	B3505019000	48	47	B81102200A0	46	38
B2702210000	24	17	B3505210000	38	11	B8111220000	46	40
B2703210000	42	34	B3505280000	40	54	B8112220000	46	41
B2714761000	26	10	B3506210000	38	15	B8150220000	46	25
B2727761000	26	11	B3506220PA0	66	32	B8160220000	46	1
B3107804000	24	7	B3507210000	38	32	B8161220000	46	2
B3112761000	24	5-6	B3507220000	38	20	B8162220000	46	3
B3114232000	24	11-12	B3507280000	38	6	B8163220000	46	4
B3114771000	2	44	B3508220000	38	21	B8164220000	46	6
B3118771000	4	42-76	B3508280000	38	35	B81642200A0	46	5
B3120125000	24	9	B3509220000	38	2	B8165220000	46	7
B3120372000	62	9	B3509280000	38	16	B8166220000	46	8
B3121372000	62	15	B35142100A0	10	10	B8171220000	46	10
B3123352000	2	72	B3518210000	38	33	B8173220000	46	11
B3123352000	4	72	B3518280000	38	17	B8180220000	48	79
B3125012000	2	73	B3520220000	38	22	B81802200A0	48	78
B3125012000	4	73	B3522220000	38	30	B820122000EA	46	44
B3126012000	2	70	B3523220000	38	8	B820122000FA	46	45
B3126012000	4	70	B3538112000	38	36	B8202205000	46	42
B3126012000	24	10	B4005220000	42	8	B821021000B	48	77
B3129053000	24	11-12	B40052200A0	42	7	B821121000B	48	75
B3132552000	24	13	B4006220000	42	9	B8301220000	46	13
B32012100A0	2	9	B4007220000	30	28	B83012200A0	46	12
B3203210000	2	10	B4008220000	42	1	B8302220000	46	14
B3204210000	2	11	B40092200A0	42	2	B8303220000	46	15
B3205210000	2	12	B4010220000	42	3	B8304220000	46	16
B3206210000	2	13	B4012215000	42	4	B8305220000	46	17
B3207210000	2	14	B4110220CB0	42	25	B8306220000	46	18
B3208210000	2	15	B471022000A	44	1	B8307220000	46	19
B3208280000	2	26	B471022000B	44	2	B8308220000	46	20
B3209210000	2	16	B471022000C	34	41	B8309220000	46	22

NUMERICAL INDEX OF PARTS

PART NO	PAGE	REF NO.	PART NO	PAGE	REF NO.	PART NO	PAGE	REF NO.
B8601WP10A0	62	24	HC010802210	56	5	M1077510000	54	14
B9101490000	68	75	HC018801030	56	9	M1078510000	54	15
B9101552000	62	23	HC018803320	56	7	M1081518000	54	9
B9107761000	68	74	HC028801020	56	6	M1082518000	54	20
B9121012000	48	72	HC034205620	56	8	M300451100B	60	9
B91212200A0	62	1	HD000120000	42	10	M300451300G	54	10·11
BP300000000	38	58	HD000570000	42	6	M30045180A0	60	21
BP300000000	40	58	HF001400700	60	11	M3010110B00	60	3
BP500000000	38	29	HG003270000	56	18	M3010518000	54	10·11
BP600000000	38	7	HG003280000	54	4	M40051100A0	10	3
BT0600401EB	44	22	HG003290000	54	6	M40071100AB	10	18
CM300100001	52	25	HK018800020	24	32	M85115120A0	58	4·5
CM300100101	52	24	HK045550060	58	26	M8511518AA0A	52	1~3·23
CM300200002	4	87·88	HL014530022	56	3	M8511518BA0A	52	1~3·23
CM3002000B2	4	87·88	HL014530023	56	2	M8511518CA0A	52	1~3·23
CM300200301	4	84·85	HM000630010	52	10	M8511518DA0A	52	1~3·23
CM3002003A1	4	84·85	HP000200200	24	31	M8513518AA0	58	19~21
CM500100001	48	88	HP001420000	42	33	M8513518BA0	58	19~21
CQ202000000	38	24	HT002460000	56	17	M8513518CA0	58	19~21
CQ252200000	38	57	HT002570000	56	28	M85145120A0	58	23
CQ252200000	40	57	HX000220000	44	23	M85315180A0	52	9
CS079101FSH	20	52	HX000410000	52	18	M85325180A0	52	8
CS080081FSH	20	53	HX00093000C	42	27	M85435120A0	58	16
CS111101CSH	16	47	HX00114000B	52	17	M85465120A0	58	6
CS1470710SH	12	58	HX00123000A	42	26	M85475120A0	58	7
CS147121ESH	10	15	HX001530000	54	5	M85515120A0	58	11
D1455055B00	14	31	HX002330000	36	50	M85525120A0	58	18
D1456055B00	14	32	HX002330000	42	28	M85545120A0	58	3
D1457055B00	14	33	HX00269000A	58	37	M85555120A0	58	15
D1805MLBH00	18	5	HX00326000B	48	71	M8561510CA0	58	25
D2112555B00	38	37	HX003290000	36	68	M8570518AA0	54	1·2
D2430555B00	2	21	HX00339000C	56	24	M8570518BA0	54	1·2
D2430555B00	26	34	HX003840000	52	13	M85715180A0	54	12
D3112L4BB00	24	5·6	HX004070000	58	39	M85785180A0	52	11
E8523304000	60	13	HX004150000	58	12	M85905130AA	60	1
E9611601000	60	12	M1001518000	52	4	M85995120A0	60	2
E9628252000	56	23	M1001521000	56	26	M85995120AB	60	8
E9628252000	60	10	M10025130AA	52	6	M8601518DB0	56	1
EA9500B0100	44	20	M1003518000	56	14	M8601518DB0	58	1
EA9502B0500	44	21	M1005518000	56	15	M86025290B0A	56	25
G5430116000	44	5	M1010510000	52	19	M86025290B0A	58	8
G6705152U0A	52	26	M1011512000	52	15	M8603521AA0	56	13
G8124270000	44	7	M1011518000	58	41	M8603521AA0	58	13
GBR01713000	56	10	M1075518000	54	16	M86045180A0	56	4
HA001410000	54	7	M1076510000	54	13	M86045180A0	58	17

NUMERICAL INDEX OF PARTS

PART NO	PAGE	REF NO.	PART NO	PAGE	REF NO.	PART NO	PAGE	REF NO.
M8670510AA0	54	3	NS6110310SP	66	39	SB712000100	30	35
M8901521000	60	14	NS6110360SP	34	25	SD0380551SL	4	81
M890152100P	68	76	NS6110420SP	26	35	SD0500803TP	26	37
M90025210A0	58	31	NS6110530SP	2	27	SD0530221SP	26	16
M90045210A0	58	27	NS6110530SP	14	37	SD0600101TP	20	77·78
M90055210A0	58	28	NS6120310SP	26	36	SD0600352SP	24	25
M90065210A0	58	10	NS6120310SP	62	21	SD0601021SP	62	12
M90075210A0	58	30	NS6150310SP	4	60	SD0640321SP	14	55
M90085210A0	58	29	NS6150430SP	14	38	SD0640321SP	16	55
M90095210A0	58	32	NS6240630SN	48	53	SD0640321SP	24	27
M90105210A0	58	33	NS6660430SP	20	51	SD0640321SP	26	17
M90115210A0	58	34	NS6660430SP	66	35	SD0640321TP	14	45
M90125210A0	58	35	PA1601506A0	14	24	SD0640326TP	66	40
M90425180A0	58	36	PA1602503A0	34	42	SD0650305TP	26	38
M90505180A0	54	8	PA1602504A0	34	43	SD0720321TP	16	46
M9609171000	56	20	PA1603003A0	16	53	SD0800341SP	48	67
MAO11532000	50	18	PC010508000	14	25	SD0801021TP	20	48
MAT80116S00	48	66	PC012401000	44	16	SD1100301TP	28	47
MC200501000	12	59~64	PF0552040B0	44	6	SD1501101SP	48	83
MC372001100	12	59~64	PF070501000	44	17	SK3381300SC	48	69
MC372001600	12	59~64	PJ030520001	44	8	SL4030681SC	54	21
MDP170B1800	12	59~64	PJ032052503	44	13	SL4030691SC	52	14
MDP170B2300	12	59~64	PJ046052503	34	44	SL4030881SC	56	11
MDP500B1400	12	59~64	PJ304065101	44	12	SL4030891SC	56	27
MTJVM004700	60	19	PJ305065202	44	9	SL4030891SC	58	9
MTJVM004800	60	20	PJ308040002	44	14	SL4031081SC	56	19
MTSP00800A0	60	16	PJ309005203	44	4	SL4031081SF	42	5
MTSP00950A0	60	15	PJ309120001	62	6	SL4031281SC	56	29
NM60300000A	64	22	PS0150065KP	2	23	SL4031481SC	46	43
NM6030001SC	42	15	PS0200062KH	62	17	SL4031481SC	56	21
NM6030001SC	54	18	PS0250162KH	20	54	SL4031481SF	42	11
NM6030001SC	56	12	PS0400141KH	48	63	SL4040691SC	48	76
NM6040001SB	52	22	PS0800302KH	2	35	SL4040881SF	58	14
NM6040003SC	24	30	PV0351130A0	44	15	SL4040891SC	44	19
NM6040003SC	26	24	PX950009000	44	10	SL4041091SC	48	52
NM6050001SE	30	38	RC3500002KP	48	82	SL4041091SC	52	20
NM6050001SE	50	19	RE0300000K0	14	34	SL4041091SC	58	40
NM6060002SE	48	56	RE0300000K0	36	61	SL4042581SF	44	18
NM6080001SC	46	36	RE0300000K0	66	15	SL4051091SC	44	11
NM6120011SF	8	25	RE0600000K0	30	34	SL4051091SC	58	22
NM6550815SF	60	18	RE0600000K0	36	62	SL4051241SE	48	73
NS6090310SP	4	59	RO048190100	14	35	SL9082093SE	46	35
NS6110310SP	2	29	SB108000500	30	29	SL9082093SE	52	5
NS6110310SP	30	20	SB109530100	32	9	SM1030601SC	64	21
NS6110310SP	62	20	SB115000200	48	81	SM1031001SC	64	20

NUMERICAL INDEX OF PARTS

PART NO	PAGE	REF NO.	PART NO	PAGE	REF NO.	PART NO	PAGE	REF NO.
SM1044050SM	52	12	SS6110430TP	68	61	SS7110840SP	42	20
SM4040601SC	4	54	SS6110610TP	6	11	SS7110840SP	68	70
SM4051405SE	50	12	SS6110610TP	30	31	SS7110910TP	30	18
SM5030655SP	64	19	SS6111052TP	68	68	SS7111110TP	20	46
SM5051400SC	8	17	SS6111140SP	38	41	SS7111110TP	30	16
SM5051400SC	46	27	SS6111210SP	10	21	SS7111410TP	14	41
SM6040552TP	30	30	SS6111610SP	36	55	SS7121610SP	32	14
SM6040602TP	34	12	SS6120940SP	36	54	SS7151120SP	12	49
SM6041402TP	30	19	SS6121210SP	26	43	SS7151210SP	32	15
SM6051602TP	30	41	SS6121210SP	30	39	SS7151610SP	36	52
SM6052002TP	30	42	SS6121212TP	18	39	SS7661540SP	14	42
SM6053002UZ	30	40	SS6121212TP	66	18	SS8090410SP	4	62
SM8060602TP	32	10	SS6121220TP	26	9	SS8090610SP	24	14
SM9061850SC	48	65	SS6122510SP	10	12	SS8110422TP	10	6
SM9062553SC	48	86	SS6150710SP	14	39	SS8110422TP	34	24
SM9087533SC	46	9	SS6151220SP	18	41	SS8110520TP	2	24
SM9122503SE	46	28	SS6151412TP	10	13	SS8110560SP	4	61·83
SM9124503SB	8	18	SS6151712TP	26	14	SS8111010TP	10	5
SS1060210TP	20	73	SS6151712TP	42	16	SS8111610SP	10	45
SS1060210TP	68	53	SS6151812TP	24	16	SS8120410SP	36	56
SS1090510SP	62	4	SS6151812TP	30	32	SS8120740SP	32	16
SS1110640TP	18	2	SS6621220SP	24	24	SS8120740SP	36	53
SS1110640TP	68	52	SS6681712TP	10	14	SS8150822TP	20	47
SS1110840SP	6	10	SS7060310SP	68	60	SS8151550SP	10	20
SS1110840SP	34	23	SS7080510TP	12	51	SS8660610TP	12	53
SS2110920TP	28	49	SS7090410SP	20	75	SS8660610TP	14	43
SS2122410TP	36	51	SS7090530SP	34	11	SS8661012TP	12	57
SS3090610SP	4	46	SS7090620TP	26	15	SS9090833TP	12	55
SS4090715SP	4	47	SS7090850SP	42	30	SS9111010SP	30	17
SS4110515SP	34	21	SS7090910SP	4	82	SS9111020TP	2	22
SS4110715SP	8	14	SS7091110SP	14	40	SS9150710TP	36	69
SS4110715SP	62	18	SS7110510SP	18	43	SS9151120CP	6	16
SS4110815SP	4	49	SS7110510SP	42	17	SS9151120CP	48	68
SS4110815SP	42	32	SS7110710SP	8	27	SS9151160CP	6	12
SS4111015SP	4	51	SS7110710SP	18	44	SS9151240SN	8	16
SS4111015SP	8	15	SS7110710SP	38	50	SS9151440CP	32	17
SS4150715SP	4	52	SS7110710SP	40	50	SS9151440CP	64	32
SS6060220SP	66	29	SS7110710SP	42	29	SS9152130CP	36	70
SS6060410TP	18	38	SS7110740TP	20	76	SS9661230CP	12	52
SS6090420SP	66	31	SS7110740TP	68	62	TA0750704R0	4	79
SS6090440SP	40	56	SS7110840SP	4	61·83	TA0850604R0	4	65
SS6090630TP	24	23	SS7110840SP	20	45	TA1050504R0	4	66
SS6090670TP	12	50	SS7110840SP	24	35	TA1250406R0	4	67
SS6092120SP	38	40	SS7110840SP	26	26	TA1470704R0	4	80
SS6110430TP	20	74	SS7110840SP	40	49	TA2100904R0	4	68

NUMERICAL INDEX OF PARTS

PART NO	PAGE	REF NO.	PART NO	PAGE	REF NO.
WP0320500SC	54	19	WP1612616SE	50	17
WP0320501SC	64	23	WS0310002KN	64	24
WP0330501SB	42	13	WS0410002KN	52	21
WP0371016SD	24	28	WS0610002KN	48	62
WP0430800SC	16	58	WS0631510KP	36	73
WP0430801SC	4	55	WS0820002KN	48	70
WP0450000SD	4	57	WS1002560KR	60	17
WP0450000SD	34	59	WS1253010KN	8	24
WP0450000SD	36	59	WS1253010KN	46	34
WP0450000SD	40	52			
WP0450801SD	8	21			
WP0450801SD	10	22			
WP0450801SD	42	24			
WP0450801SD	62	11			
WP0450846SP	20	79			
WP0450846SP	68	63			
WP0501016SD	26	39			
WP0501016SD	32	18			
WP0501016SD	34	26			
WP0520656SA	6	13			
WP0520656SA	36	58			
WP0531000SD	20	49			
WP0561616SC	24	29			
WP0561616SC	46	74			
WP0561616SC	48	74			
WP0612066SP	14	36			
WP0621016SD	6	14			
WP0621016SD	32	19			
WP0621016SD	36	71			
WP0621016SD	40	51			
WP0641600SC	36	72			
WP0641600SC	68	71			
WP0641601SC	48	87			
WP0651056SH	2	25			
WP0704016SP	48	84			
WP0740516SP	62	14			
WP0841600SE	48	61			
WP0841601SC	8	22			
WP0841601SC	46	60			
WP0841601SC	48	60			
WP0951016SP	32	11			
WP0952616SD	20	50			
WP1021016SD	48	59			
WP1302501SC	46	31			
WP1302501SE	8	23			