

MODEL : LH-3120

List No : 1077-06

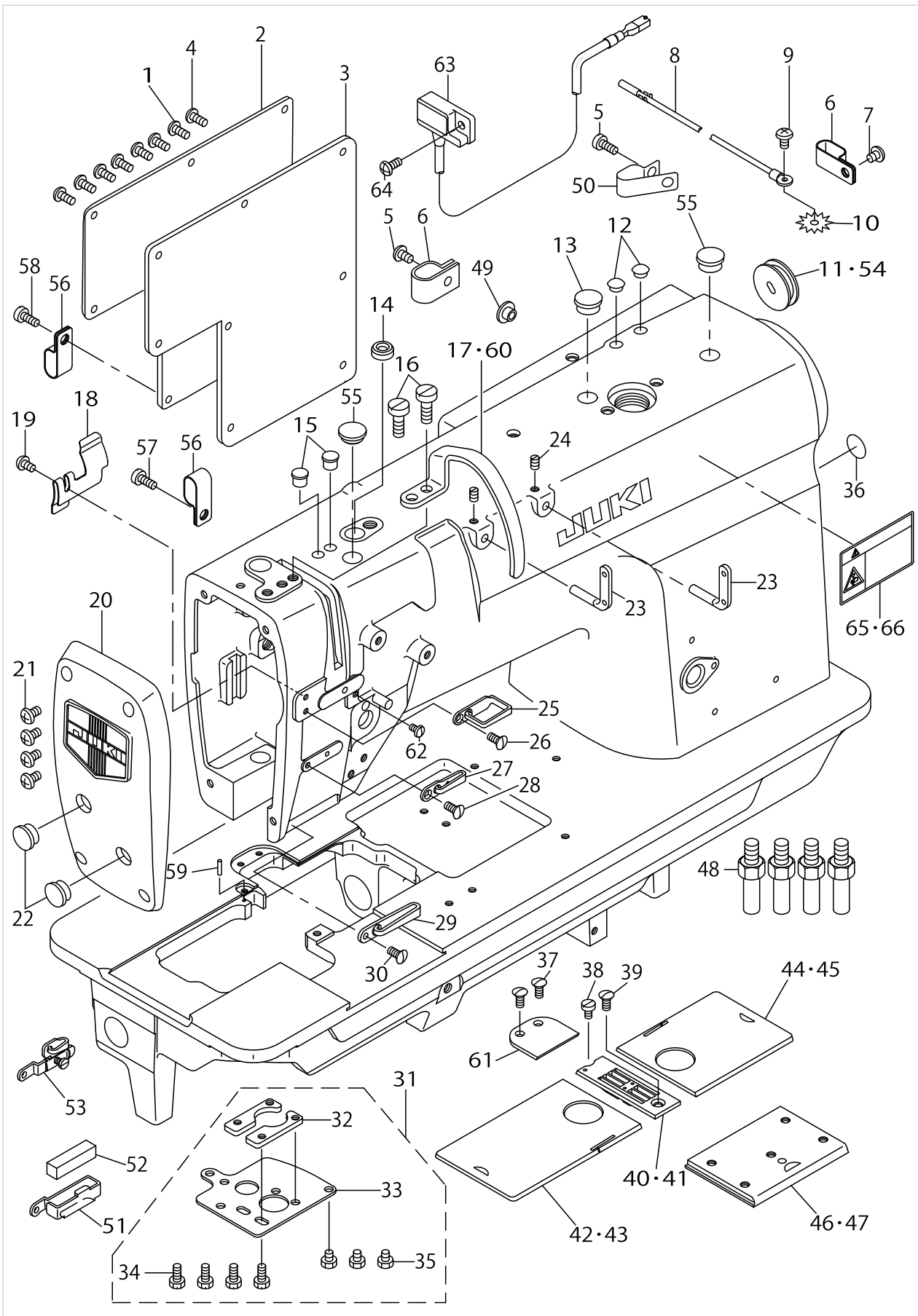
PARTS LIST

Published:05/12/2017

CONTENTS

FRAME & MISCELLANEOUS COVER COMPONENTS	1
MAIN SHAFT, THREAD TAKE-UP & NEEDLE BAR COMPONENTS	5
TENSION POST COMPONENTS	9
HOOK & HOOK DRIVING SHAFT COMPONENTS	11
FEED MECHANISM COMPONENTS.....	15
PRESSER BAR & TENSION RELEASE COMPONENTS.....	19
THREAD TRIMMER MECHANISM COMPONENTS (FOR LH-3120-7).....	23
AUTOMATIC REVERSE FEED MECHANISM COMPONENTS (FOR LH-3120-7).....	27
WIPER MECHANISM COMPONENTS (FOR LH-3120-7).....	29
LUBRICATION COMPONENTS	31
BELT COVER & BOBBIN WINDER COMPONENTS	35
OIL RESERVOIR & KNEE LIFTER COMPONENTS.....	37
THREAD STAND COMPONENTS (1).....	39
THREAD STAND COMPONENTS (2).....	41
TABLE OF EXCHANGING GAUGE PARTS (1).....	43
TABLE OF EXCHANGING GAUGE PARTS (2).....	47
LIST FOR INFORMATION OF CHANGE.....	49
HOW TO MAKE USE OF THIS PARTS LIST	50

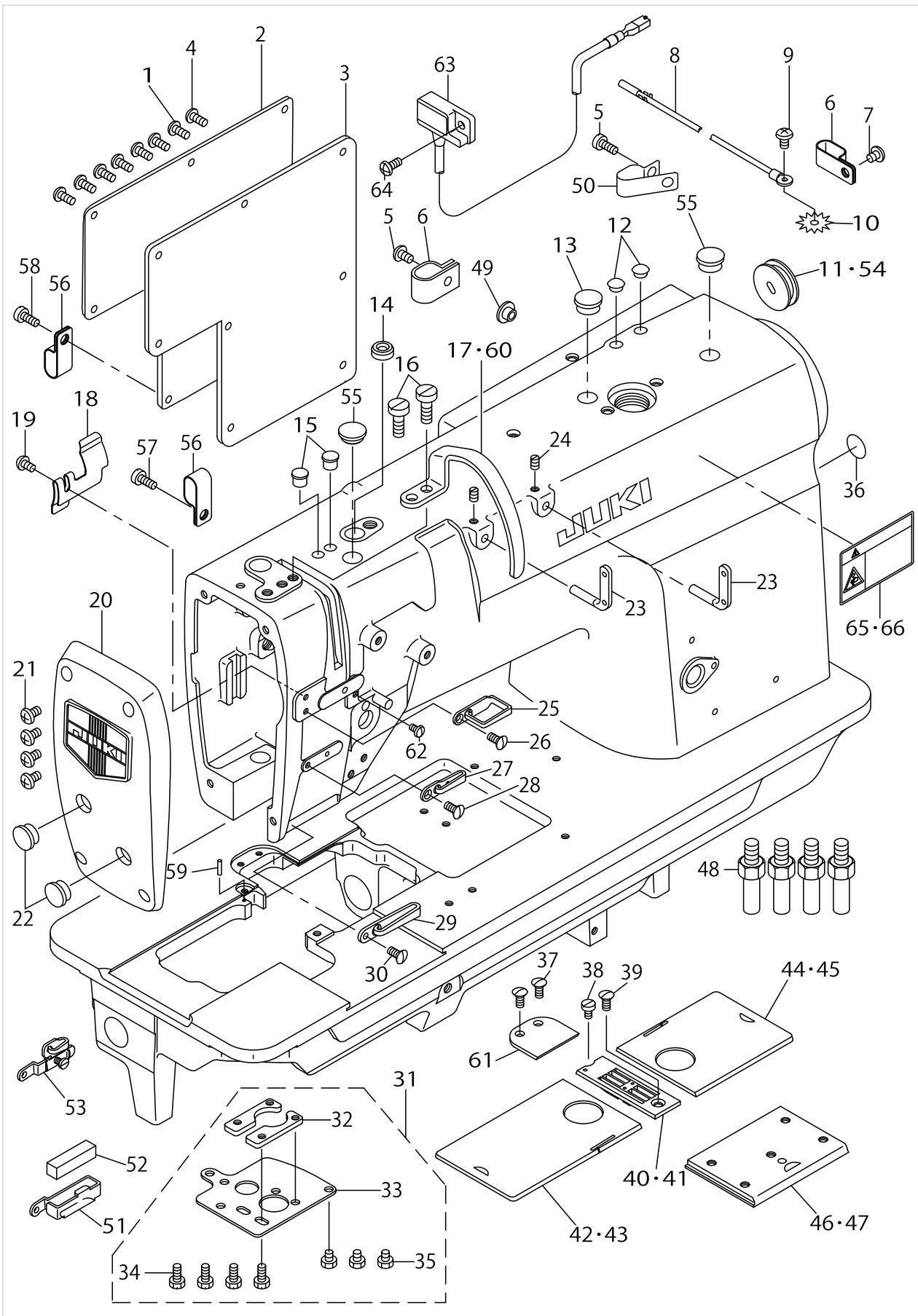
FRAME & MISCELLANEOUS COVER COMPONENTS



FRAME & MISCELLANEOUS COVER COMPONENTS

No.	Supply Code	Parts No.	Replacement	Parts name	Remarks	Choice	Step	Level	Cons	Qty	Rep. QTY
1		SS4110815SP		SCREW 11/64-40 L=8						5	
2		10602902		SLIDE PLATE						1	
3		10101004		GASKET						1	
4		SS4110815SP		SCREW 11/64-40 L=8	FOR LH-3120					3	
5		SS6111140SP		SCREW 11/64-40 L=11	FOR LH-3120-7					2	
6		D2112555B00		CORD HOLDER, LARGE	FOR LH-3120-7					2	
7		SS4120615SP		SCREW 3/16-28 L=6	FOR LH-3120-7					1	
8		22951552		GROUND WIRE ASM.	FOR LH-3120-7					1	
9		SS4120615SP		SCREW 3/16-28 L=6	FOR LH-3120-7					1	
10		WT0530002KS		TOOTHED WASHER D=5.3	FOR LH-3120-7					1	
11		22619100		CAP	FOR LH-3120					1	
12		TA0750404R0		PLUG D=7.5 L=3.5	FOR LH-3120					2	
13		TA1250406R0		RUBBER PLUG D=12.5 L=4						1	
14		22620900		CAP						1	
15		TA0750704R0		RUBBER PLUG						2	
16		SS4150915SP		SCREW 15/64-28 L=9						2	
17	D	22602007		THREAD TAKE-UP LEVER OIL GUARD	EXCEPT J- APAN & JE					1	
18		23204803		LUBRICATING GUIDE						1	
19		SS3090610SP		SCREW 9/64-40 L=6						1	
20		22602254		FACE PLATE ASM.						1	
21		SS4121015SP		SCREW 3/16-28 L=10						4	
22		TA1250406R0		RUBBER PLUG D=12.5 L=4						2	
23		22920706		TWO EYELET						2	
24		SS8120740SP		SCREW 3/16-28 L=7						2	
25	D	22603013		THREAD GUIDE (UPPER)						1	
26		SS2090710TP		SCREW 9/64-40 L=7.2						1	
27		22603112		THREAD GUIDE						1	
28		SS2090710TP		SCREW 9/64-40 L=7.2						1	
29	R	22603203	SS2090810SP	THREAD GUIDE (LOWER)		A				1	1.00
29	R	22603203	40084142	THREAD GUIDE (LOWER)		A				1	1.00
30		SS2090710TP		SCREW 9/64-40 L=7.2						1	
31		22840557		FIXING PLATE ASM.						1	
32	D	22840508		FIXING PLATE						2	
33	D	22840409		JAWS PRESSING PLATE						1	
34		SS9111010SP		SCREW 11/64-40 L=9.5						4	
35		SS9110543CP		SCREW 11/64-40 L=5.3						3	
36	R	10004109	22901805	GROUND MARK						1	1.00
37		SS2090710TP		SCREW 9/64-40 L=7.2						2	
38	R	SS6090630SP	SS6090630TP	SCREW 9/64-40 L=6						1	1.00
39		SS2110920TP		SCREW 11/64-40 L=8.5						1	
40		22845606		THROAT PLATE, (1/4).	EXCHANGI- NG GAUGE PART FOR LH-3120(S- EE P.25, 27)					1	

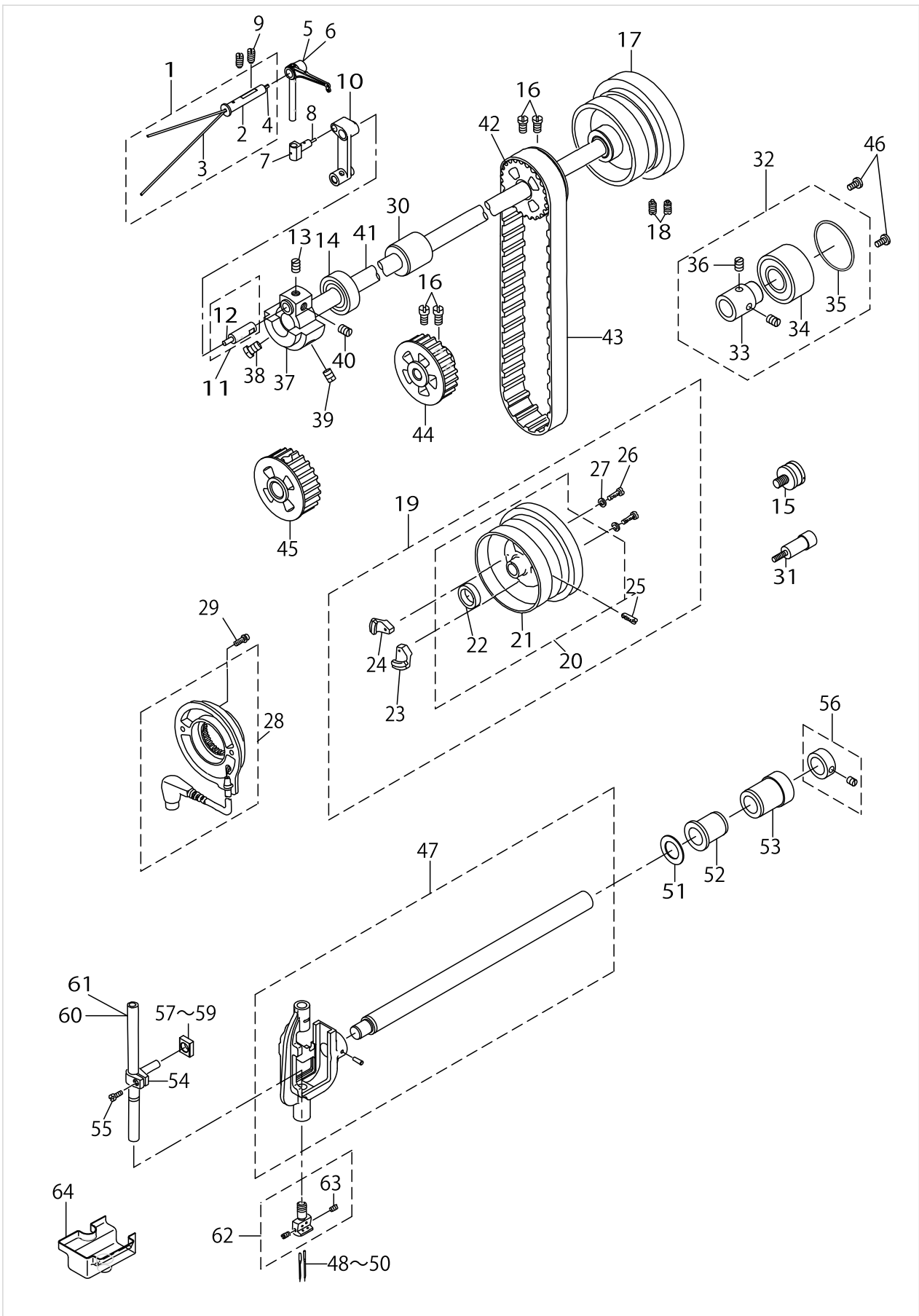
FRAME & MISCELLANEOUS COVER COMPONENTS



FRAME & MISCELLANEOUS COVER COMPONENTS

No.	Supply Code	Parts No.	Replacement	Parts name	Remarks	Choice	Step	Level	Cons	Qty	Rep. QTY
41		22853600		THROAT PLATE, 1/4.	EXCHANGING GAUGE PART FOR LH-3120-7- (SEE P.25, 27)					1	
42		22601058		BED SLIDE LEFT, ASM., A	SELECTIVE PART FOR LH-3120					1	
43		22650857		BED SLIDE LEFT, ASM., A	SELECTIVE PART FOR LH-3120-7					1	
44		22600555		BED SLIDE RIGHT, ASM., A	SELECTIVE PART FOR LH-3120					1	
45		22650352		BED SLIDE RIGHT, ASM., A	SELECTIVE PART FOR LH-3120-7					1	
46		22650055		BED SLIDE ASM.	FOR LH-3120					1	
47		22650055		BED SLIDE ASM.	FOR LH-3120-7					1	
48		22602601		BED SCREW STUD						4	
49		TA1250406R0		RUBBER PLUG D=12.5 L=4						1	
50		D2112555B00		CORD HOLDER, LARGE	FOR LH-3-120-7-WB, -WO, -OB					1	
51		22603609		THREAD GUIDE						1	
52		22603708		FELT						1	
53		22651459		THREAD GUIDE ASM., E	OPTIONAL PART					1	
54		22657803		RUBBER PLUG	FOR LH-3120-7					1	
55		TA1250406R0		RUBBER PLUG D=12.5 L=4						2	
56		D2112555B00		CORD HOLDER, LARGE	FOR LH-3-120-7-WB, -WO, -OB					2	
57		SS4120615SP		SCREW 3/16-28 L=6	FOR LH-3-120-7-WB, -WO, -OB					1	
58		SS6111140SP		SCREW 11/64-40L=11	FOR LH-3-120-7-WB, -WO, -OB					1	
59		B1104051000		THROAT PLATE PIN						1	
60		22818009		BALANCE COVER(FOR JE)						1	
61		22651202		AUXILIARY COVER						1	
62		SS5090610SP		SCREW 9/64-40 L=6						1	
63		M6046350AAA		RESISTANCE PACK ASM, AA.	FOR LH-3120-7					1	
64		SS4111015SP		SCREW 11/64-40L=10	FOR LH-3120-7					1	
65		CM3002001A1		SAFETY LABEL.,3 (SMALL).	EXCEPT J-APAN & JE					1	
66		CM300200101		SAFETY LABEL, 1(SMALL).	FOR JAPAN					1	

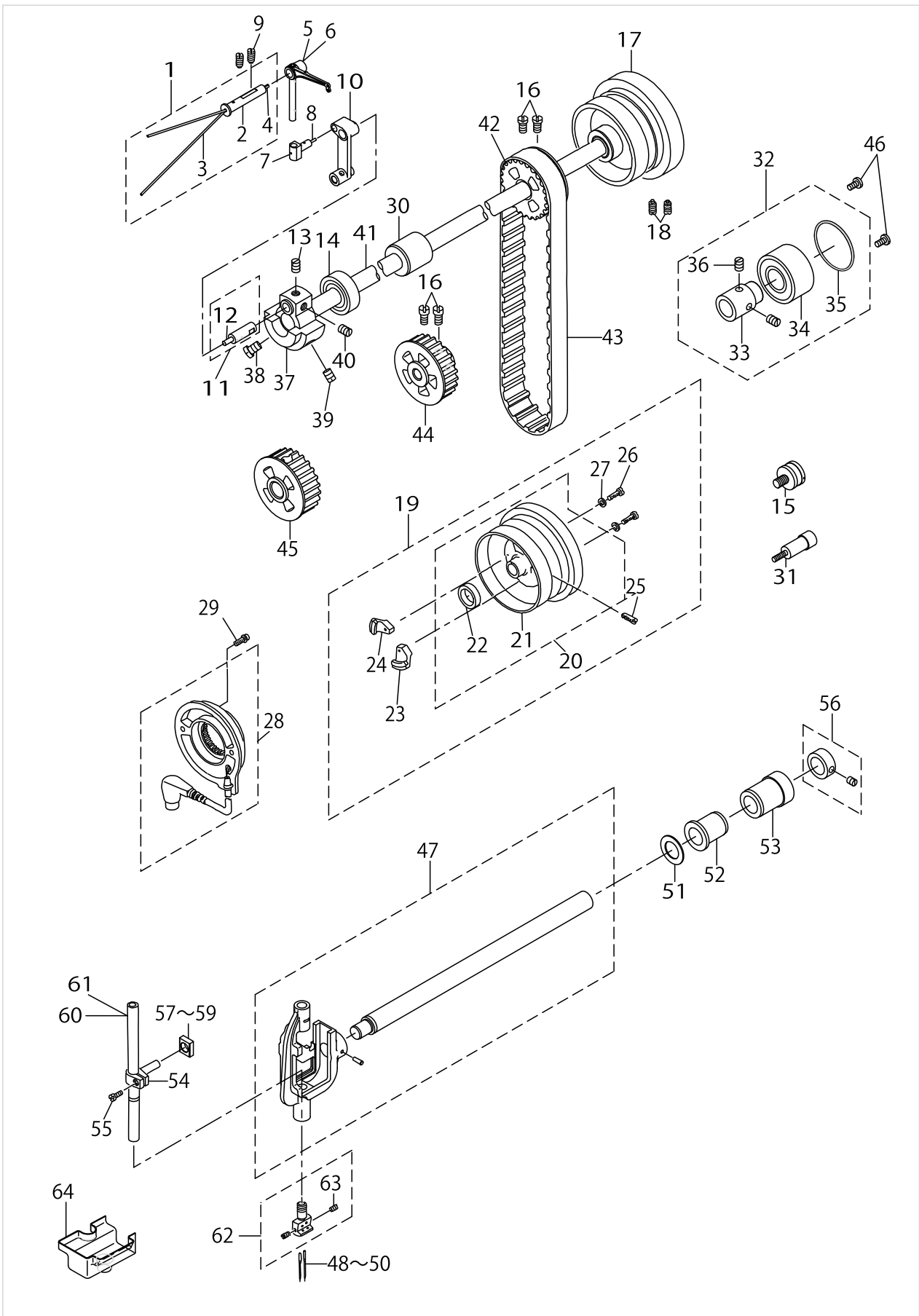
MAIN SHAFT, THREAD TAKE-UP & NEEDLE BAR COMPONENTS



MAIN SHAFT, THREAD TAKE-UP & NEEDLE BAR COMPONENTS

No.	Supply Code	Parts No.	Replacement	Parts name	Remarks	Choice	Step	Level	Cons	Qty	Rep. QTY
1		22605356		THREAD TAKE-UP LEVER PIN ASM.						1	
2		22605307		THREAD TAKE-UP LEVER PIN						1	
3		CQ202000000		OIL WICK						.4	
4		CQ252000000		OIL WICK						.04	
5		23203706		THREAD TAKE-UP LEVER A	FOR LH-3120					1	
6		23203805		THREAD TAKE-UP LEVER B	FOR LH-3120-7					1	
7		22605406		TAKE-UP LEVER THRUST PIN						1	
8		CQ252000000		OIL WICK						.03	
9		SS8151150TP		SCREW 15/64-28 L=10.5						2	
10		23204308		NEEDLE BAR CRANK ROD						1	
11		B12105260A0		NEEDLE BAR CRANK PIN ASM.						1	
12		CQ505000000		OIL WICK						.1	
13		SS8680540SP		SCREW 9/32-28 L=4.5						1	
14		B1202512000		MAIN SHAFT BUSHING, FRONT						1	
15		22622401		SYNCRO FRNGE	OPTIONAL PARTS					1	
16		SS6661110SP		SCREW 1/4-40 L=11						4	
17		22604508		HAND WHEEL	FOR LH-3120					1	
18		SS8151550SP		SCREW 15/64-28 L=15	FOR LH-3120					2	
19		22651566		HAND WHEEL ASM.	FOR LH-3120-7					1	
20		22651558		HAND WHEEL				*		1	
21	D	22651509		HAND WHEEL				*		1	
22		M4002110000		GENERATOR ROTOR				*		1	
23		M40071100AA		MAGNET FITTING BASE A ASM.				*		1	
24		M40071100AB		MAGNET FITTING BASE B ASM.				*		1	
25		SS8151550SP		SCREW 15/64-28 L=15				*		2	
26		SS6111210SP		SCREW 11/64-40 L=12				*		2	
27		WP0450801SD		WASHER 4.5X10X0.8				*		2	
28	R	11032562	22937965	DYNAMO STATOR				*		1	1.00
29		10604809		SCREW				*		2	
30		22603906		UPPER SHAFT INNER METAL						1	
31		22622351		SENSOR SUPPORT SHAFT ASM.	OPTIONAL PARTS					1	
32		22604656		THRUST COLLAR ASM.						1	
33		22604607		THRUST COLLAR						1	
34		SB120000100		BEARING D=20X47						1	
35		RO437200200		RUBBER RING						1	
36		SS8660530TP		SCREW 1/4-40 L= 4.5						2	
37	D	22604409		COUNTERWEIGHT						1	
38		SS8681650TP		SCREW 9/32-28 L=16						1	
39		SS7681750TP		SCREW 9/32-28 L=16.5						1	
40		SS8680810TP		SCREW 9/32-28 L=8.0						1	
41		22604003		MAIN SHAFT						1	
42		22604904		UPPER SPROCKET						1	
43		22604300		TIMING BELT						1	
44		22623201		SPROCKET WHEEL	FOR LH-3120					1	
45		22651608		SPROCKET WHEEL	FOR LH-3120-7					1	
46		SS7120760SP		SCREW 3/16-28 L=7.0						2	

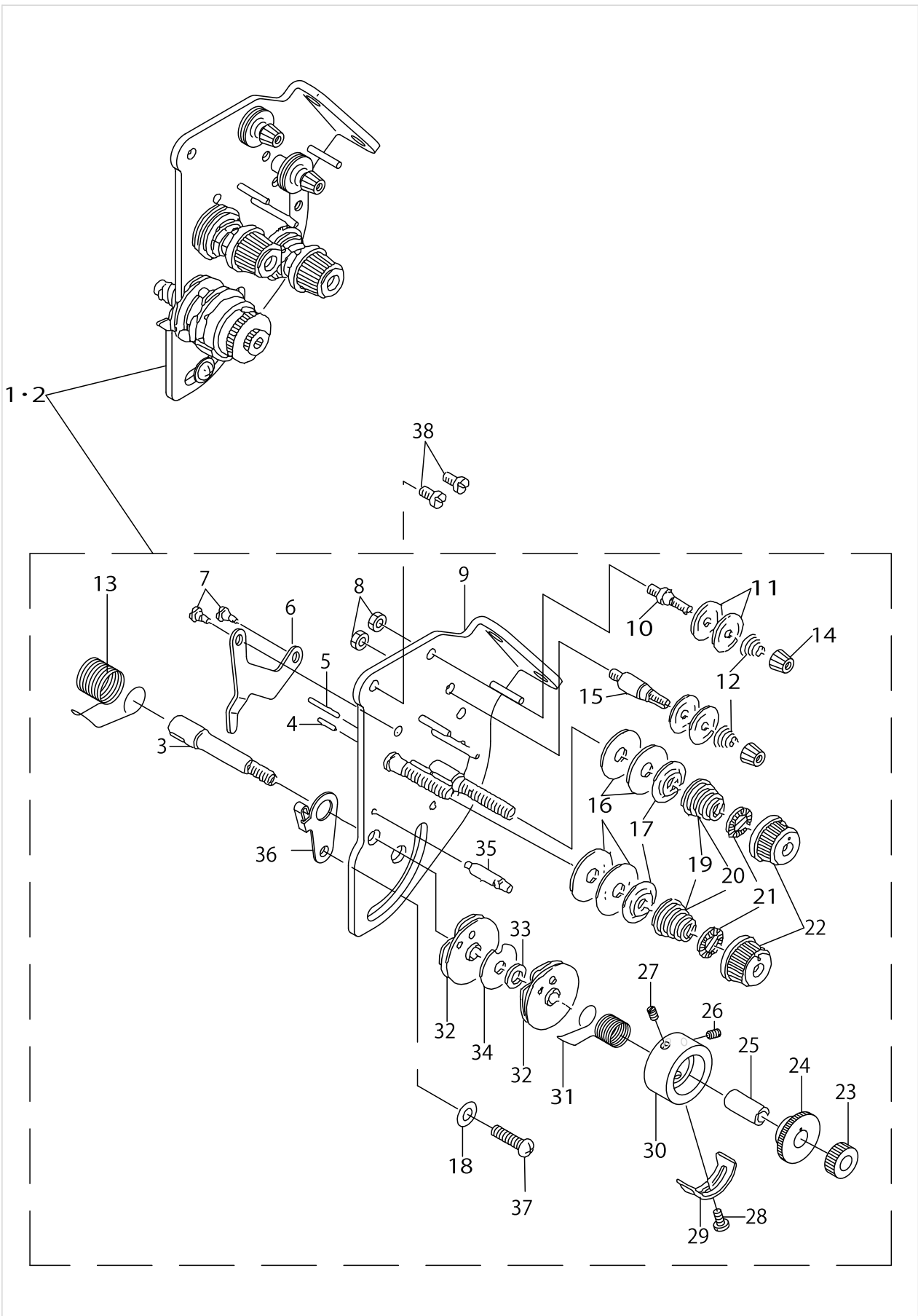
MAIN SHAFT, THREAD TAKE-UP & NEEDLE BAR COMPONENTS



MAIN SHAFT, THREAD TAKE-UP & NEEDLE BAR COMPONENTS

No.	Supply Code	Parts No.	Replacement	Parts name	Remarks	Choice	Step	Level	Cons	Qty	Rep. QTY
47		23204258		NEEDLE BAR ROCKING BASE ASM.						1	
48		MDP500B1100		NEEDLE DPX5 #11	FOR LH-3120-7					2	
49	D	MC200520650		NEEDLE 134SES SERV7 NM65	FOR LH-3-120 TYPE F					2	
50		MDP500B0900		NEEDLE DPX5 #9	FOR LH-3-120 TYPE A					2	
51		B1438512B00		WASHER 17.1X28X1.5	SELECTIVE PART					1	
52		22607303		BUSHING						1	
53		22607402		BUSHING						1	
54	D	10104800		NEEDLE BAR CONNECTION						1	
55	R	SS7090910SP	SS7090910TP	SCREW 9/64-40 L=8.5						1	1.00
56		GS170101ASZ		THRUST COLLAR ASM. D=17 W=10						1	
57		23204506		ROCKING ROD SQUARE BLOCK A	SELECTIVE PART					1	
58		23204605		ROCKING ROD SQUARE BLOCK B	SELECTIVE PART					1	
59		23204704		ROCKING ROD SQUARE BLOCK C	SELECTIVE PART					1	
60	D	22606008		NEEDLE BAR	FOR LH-3120					1	
61	D	22651905		NEEDLE BAR	FOR LH-3120-7					1	
62		10148054		NEEDLE CLAMP ASM. 1/4	EXCHANGING GAUGE PART (SEE P.25) (ORDER FOR NEEDLE CLAMP ONLY CANNOT BE ACCEPTED)					1	
63		SS8080660TP		SCREW 1/8-44 L=5.5				*		2	
64		22811806		OIL SHIELD RUBBER.						1	

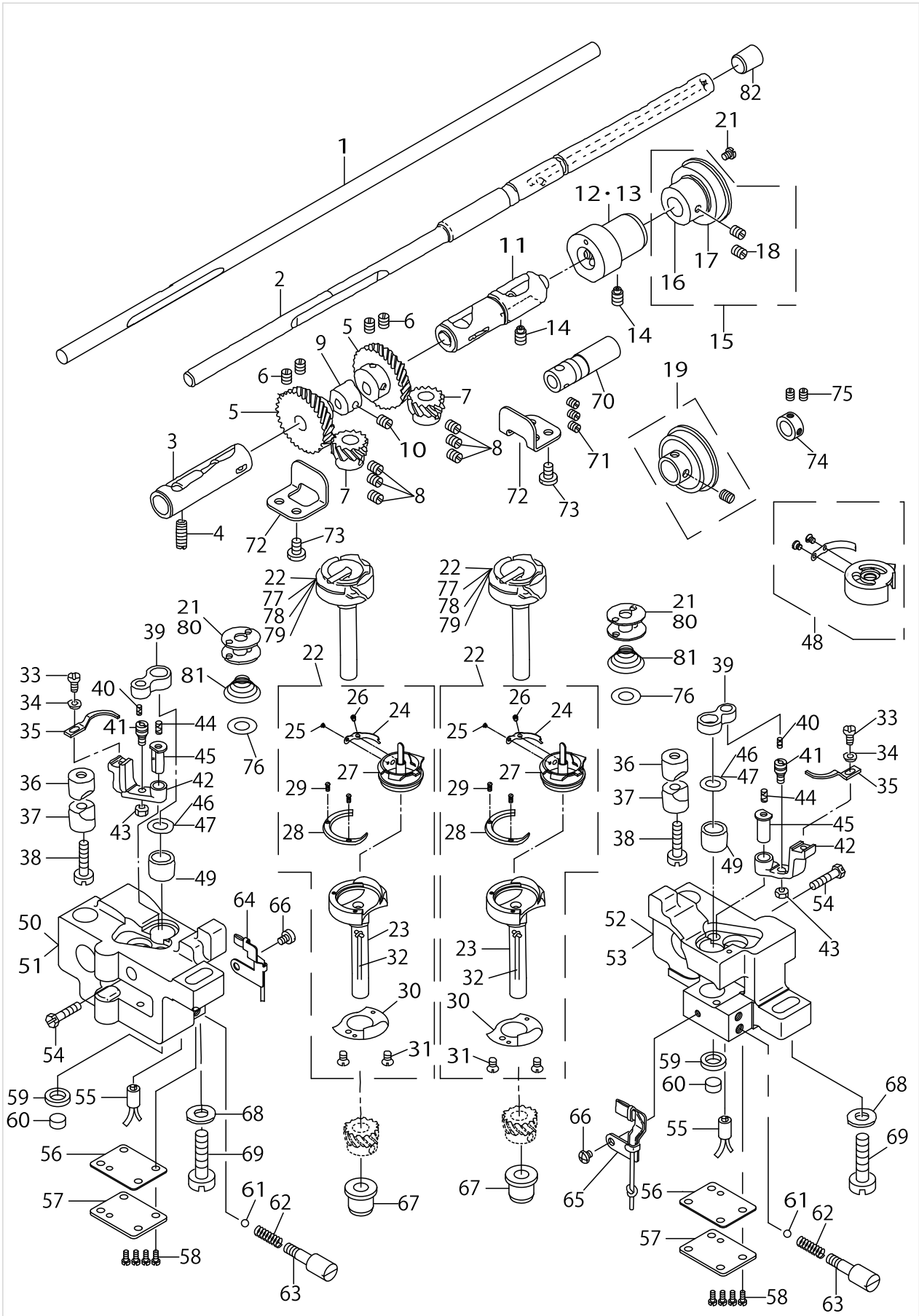
TENSION POST COMPONENTS



TENSION POST COMPONENTS

No.	Supply Code	Parts No.	Replacement	Parts name	Remarks	Choice	Step	Level	Cons	Qty	Rep. QTY
1		22618458		THREAD TENSION ASM., A	TYPE A					1	
2		22618656		THREAD TENSION ASM., F	TYPE F					1	
3		10697605		THREAD TAKE-UP SPRING STUD				*		1	
4		22618201		TENSION RELEASE PIN, A				*		1	
5		22618300		TENSION RELEASE PIN, B				*		1	
6		22618102		TENSION RELEASE LEVER				*		1	
7		SD0470281SP		HINGE SCREW D=4.7 H=2.8				*		2	
8		NS6110310SP		NUT 11/64-40				*		2	
9		22618052		TENSION BASE PLATE ASM.				*		1	
10		10124204		THREAD TENSION POST, A				*		1	
11		10741106		FIRST THREAD TENSION PLATE				*		4	
12		11045101		THREAD TENSION SPRING				*		2	
13		22618706		THREAD TAKE-UP SPRING A				*		1	
14		11072402		THREAD TENSION NUT				*		2	
15		10124303		THREAD TENSION POST, B				*		1	
16	R	B3126012000	22921506	THREAD TENSION DISK				*		4	1.00
17		22617906		THREAD TENSION DISK PRESSER				*		2	
18		WP0501016SD		WASHER 5X10.5X1				*		1	
19		D3129555D00		THREAD TENSION SPRING	TYPE A			*		2	
20		B3121352000		TENSION SPRING	TYPE F			*		2	
21		B3112704000		TENSION SPRING BUSHING				*		2	
22		11956802		THREAD TENSION KNOB, BLUE				*		2	
23	R	22617807	22928808	NUT				*		1	1.00
24		22617708		TAKE-UP SPRING GUIDE				*		1	
25		B3141527000		PRESSER COLLAR				*		1	
26	R	22618904	SM8030500SP	SET SCREW				*		1	1.00
27	R	22618904	SM8030500SP	SET SCREW				*		1	1.00
28		SS7090510SP		SCREW 9/64-40 L=4.6				*		1	
29		B3138527000		ADJUSTING PLATE B				*		1	
30		22617609		THREAD TENSION POST				*		1	
31		22618805		THREAD TAKE-UP SPRING B				*		1	
32		B31375270A0		TAKE-UP SPRING GUIDE ASM.				*		2	
33		B3139527000		COLLAR				*		1	
34		B3142527000		TAKE-UP SPRING GUIDE PLATE				*		1	
35		B3143527000		TAKE-UP SPRING GUIDE STUD				*		1	
36		10697506		THREAD TENSION BRACKET, A				*		1	
37		SS4110615SP		SCREW 11/64-40 L=6				*		1	
38		SS4120615SP		SCREW 3/16-28 L=6				*		2	

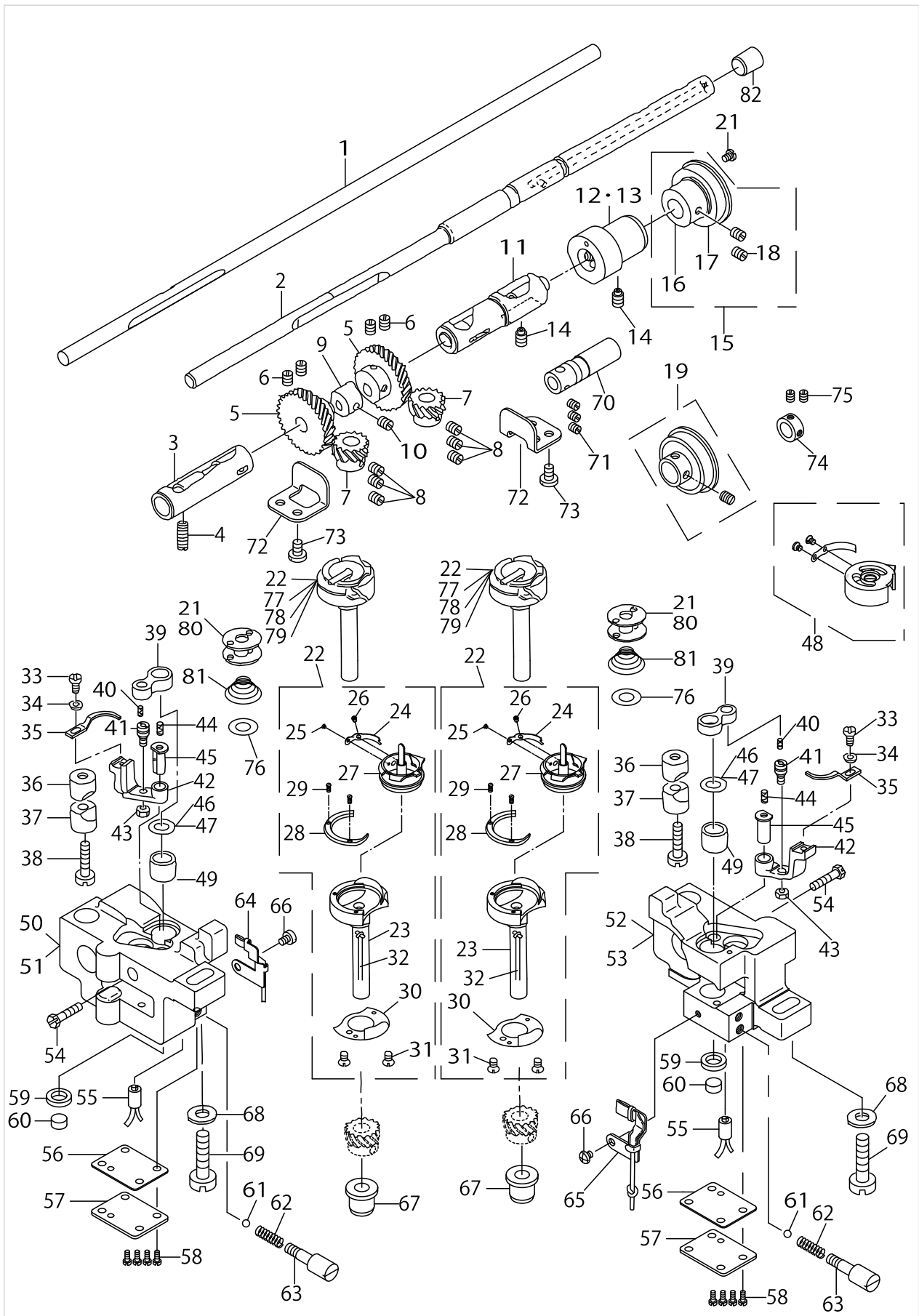
HOOK & HOOK DRIVING SHAFT COMPONENTS



HOOK & HOOK DRIVING SHAFT COMPONENTS

No.	Supply Code	Parts No.	Replacement	Parts name	Remarks	Choice	Step	Level	Cons	Qty	Rep. QTY
1		22623102		LOWER SHAFT B	FOR LH-3120					1	
2		10108512		HOOK DRIVING SHAFT	FOR LH-3120-7					1	
3		B18025120A0A		BUSHING ASM., FRONT	SELECTIVE PART					1	
4	R	SS8151150SP	SS8151150TP	SCREW 15/64-28 L=10.5						1	1.00
5		B1816512000		HOOK DRIVING SHAFT, LARGE						2	
6		SS8660810TP		SCREW 1/4-40 L=8						4	
7		10112001		HOOK SHAFT GEAR, A	SELECTIVE PART					2	
8		SS8660530TP		SCREW 1/4-40 L= 4.5						6	
9		22609804		FEED DRIVING CAM						1	
10		SS8660530TP		SCREW 1/4-40 L= 4.5						1	
11		B18035150A0		BUSHING ASM., INTERMEDIATE	SELECTIVE PART					1	
12		22611701		PLUNGER BUSHING, B	FOR LH-3120					1	
13		10108611		PLUNGER BUSHING	FOR LH-3120-7					1	
14	R	SS8151150SP	SS8151150TP	SCREW 15/64-28 L=10.5						2	1.00
15		22611651		THRUST COLLAR ASM., B	FOR LH-3120					1	
16		22611602		THRUST COLLAR, B				*		1	
17		SB120000200		BEARING 20X42				*		1	
18		SS8661030SP		SCREW 1/4-40 L=10				*		2	
19	D	10611457		THRUST COLLAR ASM.	FOR LH-3120-7					1	
20		SS7120760SP		SCREW 3/16-28 L=7.0						2	
21		B9117051000		BOBBIN	FOR LH-3120					2	
22		22612055		HOOK ASM.	SELECTIVE PART					2	
23		22612006		HOOK				*		2	
24		22612402		BOBBIN CASE TENSION SPRING				*		2	
25		10110500		TENSION SPRING I- NSTALLING SCRE				*		2	
26		10110609		TENSION ADJUSTING SCREW				*		2	
27		22612105		SWING HOOK				*		2	
28		22612204		HOOK GIB				*		2	
29		10112803		SCREW				*		4	
30		22612303		NEEDLE POSITIONER				*		2	
31		10112902		SCREW				*		4	
32		22612501		LILY YARN				*		2	
33		SS6090810SP		SCREW 9/64-40 L=7.5						2	
34		WP0371016SD		WASHER 3.7X8X1						2	
35		22613509		BOBBIN CASE OPENING LEVER						2	
36		10109908		SADDLE INSTALLIN- G BLOCK, UPPER						2	
37		10112407		SADDLE INSTALLIN- G BLOCK, LOWER						2	
38		SS6153040SP		SCREW 15/64-28 L=30						2	
39		B1820563000		BOBBIN CASE OPE- NING LEVER LINK						2	
40		CQ202000000		OIL WICK						.03	
41		B1821051000		CRANK SCREW STUD						2	
42		B1822051000		OPENING LEVER CRANK						2	
43		NS6110420SP		NUT 11/64-40						2	
44		CQ202000000		OIL WICK						.05	
45		B1823051000		OPENING LEVER CRANK PIN						2	

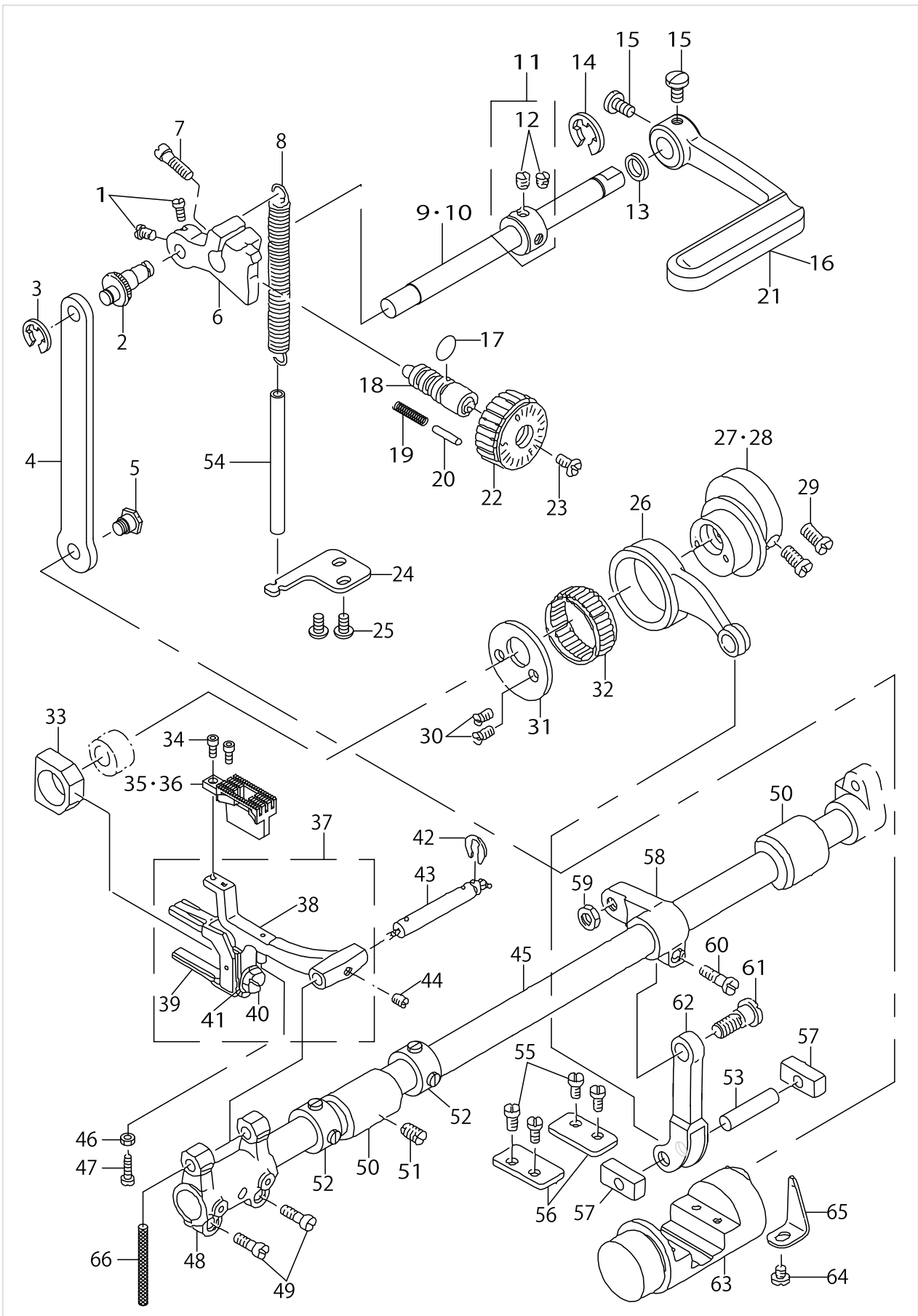
HOOK & HOOK DRIVING SHAFT COMPONENTS



HOOK & HOOK DRIVING SHAFT COMPONENTS

No.	Supply Code	Parts No.	Replacement	Parts name	Remarks	Choice	Step	Level	Cons	Qty	Rep. QTY
46		22614101		THRUST WASHER, B	SELECTIVE PART FOR LH-3120					2	
47		10111201		THRUST WASHER, F	SELECTIVE PART FOR LH-3120-7					2	
48		22612659		BOBBIN CASE ASM.						2	
49		22613905		HOOK SHAFT UPPER METAL						2	
50		22613103		HOOK SHAFT SADDLE, LEFT	FOR LH-3120					1	
51		22653604		HOOK SHAFT SADDLE, LEFT	FOR LH-3120-7					1	
52		22613004		HOOK SHAFT SADDLE, RIGHT	FOR LH-3120					1	
53		22653505		HOOK SHAFT SADDLE, RIGHT	FOR LH-3120-7					1	
54	R	SS7111810SP	SS7111810TP	SCREW 11/64-40L=18						2	1.00
55		22615454		RUBBER BUSHING ASM.						2	
56		22615108		GASKET						2	
57		22615009		HOOK SHAFT SADDLE COVER						2	
58		SS4110815SP		SCREW 11/64-40 L=8						8	
59		22615306		FELT HOLDER						2	
60		22615207		FELT						2	
61		22615702		OILADJUSTING BALL						2	
62		D3171415B0H		PRESSER SPRING						2	
63		22615801		OIL ADJUSTING SCREW						2	
64		22615959		OIL WICK HOLDER ASM. LEFT						1	
65	D	22616254		OIL WICK HOLDER ASM. RIGHT						1	
66		SS4110515SP		SCREW 11/64-40 L=5						2	
67	R	22613400	40017056	HOOK DRIVING SHAFT BUSHING						2	1.00
68		WP0850002SP		WASHER 8.5X18X1.6						2	
69		SM6082502TP		SCREW M8 L=25						2	
70		22611909		OIL PUMP SHAFT	FOR LH-3120					1	
71		SS8660530TP		SCREW 1/4-40 L= 4.5	FOR LH-3120					3	
72		22613608		GEAR GUIDE						2	
73		SS7110710SP		SCREW 11/64-40 L=7						4	
74		GS1471012SH		THRUST COLLAR D=14.72 W=10	FOR LH-3120-7					1	
75		SS8660530TP		SCREW 1/4-40 L= 4.5	FOR LH-3120-7					2	
76		22653802		SHEET	FOR LH-3120-7					2	
77		22612758		HOOK ASM.	SELECTIVE PART					2	
78		22653158		RATCHET HOOK ASM.	SELECTIVE PART					2	
79		22653059		CAP HOOK ASM.	SELECTIVE PART					2	
80		10210805		HARD ALUMITE BOBBIN	FOR LH-3120-7					2	
81		10111508		SPRING	FOR LH-3120-7					2	
82		TA0500601M0		PLUG D=5X5.4 L=6	FOR LH-3120-7					1	

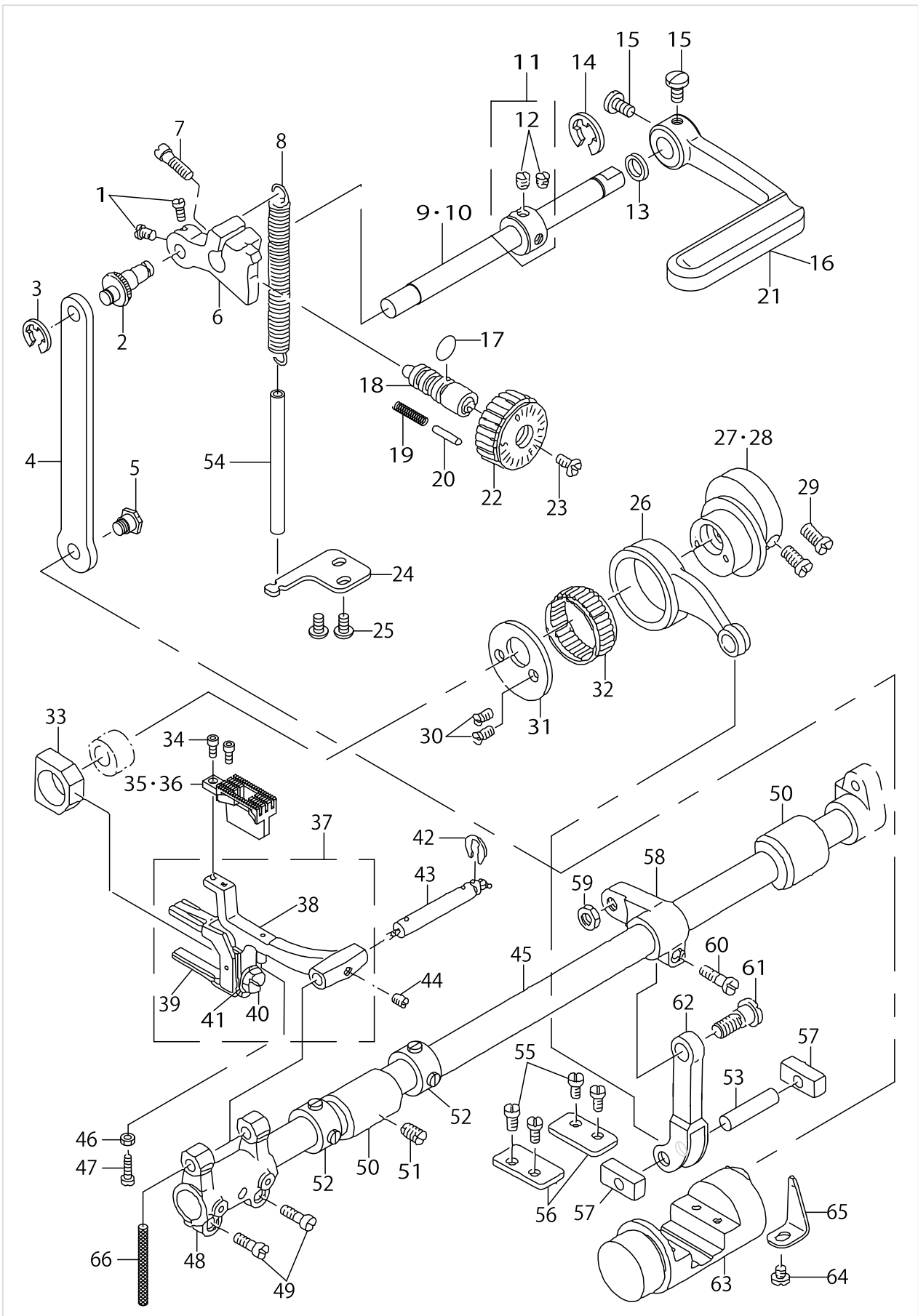
FEED MECHANISM COMPONENTS



FEED MECHANISM COMPONENTS

No.	Supply Code	Parts No.	Replacement	Parts name	Remarks	Choice	Step	Level	Cons	Qty	Rep. QTY
1		SS6090670TP		SCREW 9/64-40 L=6						2	
2		22610109		ROD PIN						1	
3		RE0500000K0		E-RING						1	
4		22610208		FEED REGULATOR CONNECTING ROD						1	
5		SD0800422CP		HINGE SCREW D= 8 H= 4.2						1	
6		22610000		FEED REGULATOR						1	
7	R	SS7121410SP	SS7121410TP	SCREW 3/16-28 L=14						1	1.00
8		22610307		FEED REGULATOR SPRING						1	
9		22610604		REVERSE FEED SHAFT						1	
10		22652101		REVERSE FEED SHAFT	FOR LH-3-120-7-OB, -WB					1	
11		GS102121ASH		THRUST COLLAR A-SM. D=10.2 W=12						1	
12		SS8660610TP		SCREW 1/4-40 L=6				*		2	
13		10108009		OIL SEAL						1	
14		RE0900000K0		E-RING 9						1	
15	R	SS7120910SP	SS7120910TP	SCREW 3/16-28 L=9						2	1.00
16	R	22610505	21388004	REVERSE FEED CONTROL LEVER						1	1.00
17		RO092270200		RUBBER RING						1	
18	R	11009909	22911804	FEED REGULATOR SCREW						1	1.00
19		22912109		FEED REGULATOR PIN SPRING						1	
20	R	11052701	22912000	PIN						1	1.00
21		22610901		REVERSE FEED CONTROL LEVER, F	TYPE F					1	
22	R	11072006	22940506	FEED DIAL						1	1.00
23		SS6121860SP		SCREW 3/16-28 L=18						1	
24		22610406		SPRING BRACKET						1	
25		SS4110815SP		SCREW 11/64-40 L=8						2	
26		22609200		FEED ROCK SHAFT CONNECTING ROD						1	
27	D	22609002		FEED DRIVE ECCENTRIC CAM, B	FOR LH-3120					1	
28		22652002		FEED DRIVE ECCENTRIC CAM	FOR LH-3120-7					1	
29		SS6661110SP		SCREW 1/4-40 L=11						2	
30		SS7110710SP		SCREW 11/64-40 L=7						2	
31	D	22609101		CAM COVER						1	
32		B1636581B00		NEEDLE BEARING B						1	
33		B1610512000		FEED DRIVING SLIDE BLOCK						1	
34		SS6580752TP		SCREW 1/8-40 L=7						2	
35		22847602		FEED DOG, (1/4).	EXCHANGING GAUGE PART FOR LH-3120(SEE P.25)					1	
36	D	22855605		THREAD CUTTING FEED DOG, 1/4.	EXCHANGING GAUGE PART FOR LH-3120-7-(SEE P.25)					1	
37	R	22609754	22609762	FEED BAR ASM.						1	1.00
38	R	22609705	22609762	FEED BAR				*		1	1.00
39	R	10107902	40039258	FEED BAR FORK		A	PLC-17*	*		1	1.00
39	R	10107902	21336060	FEED BAR FORK		B	LU-1510N-7 NA-7	*		1	1.00

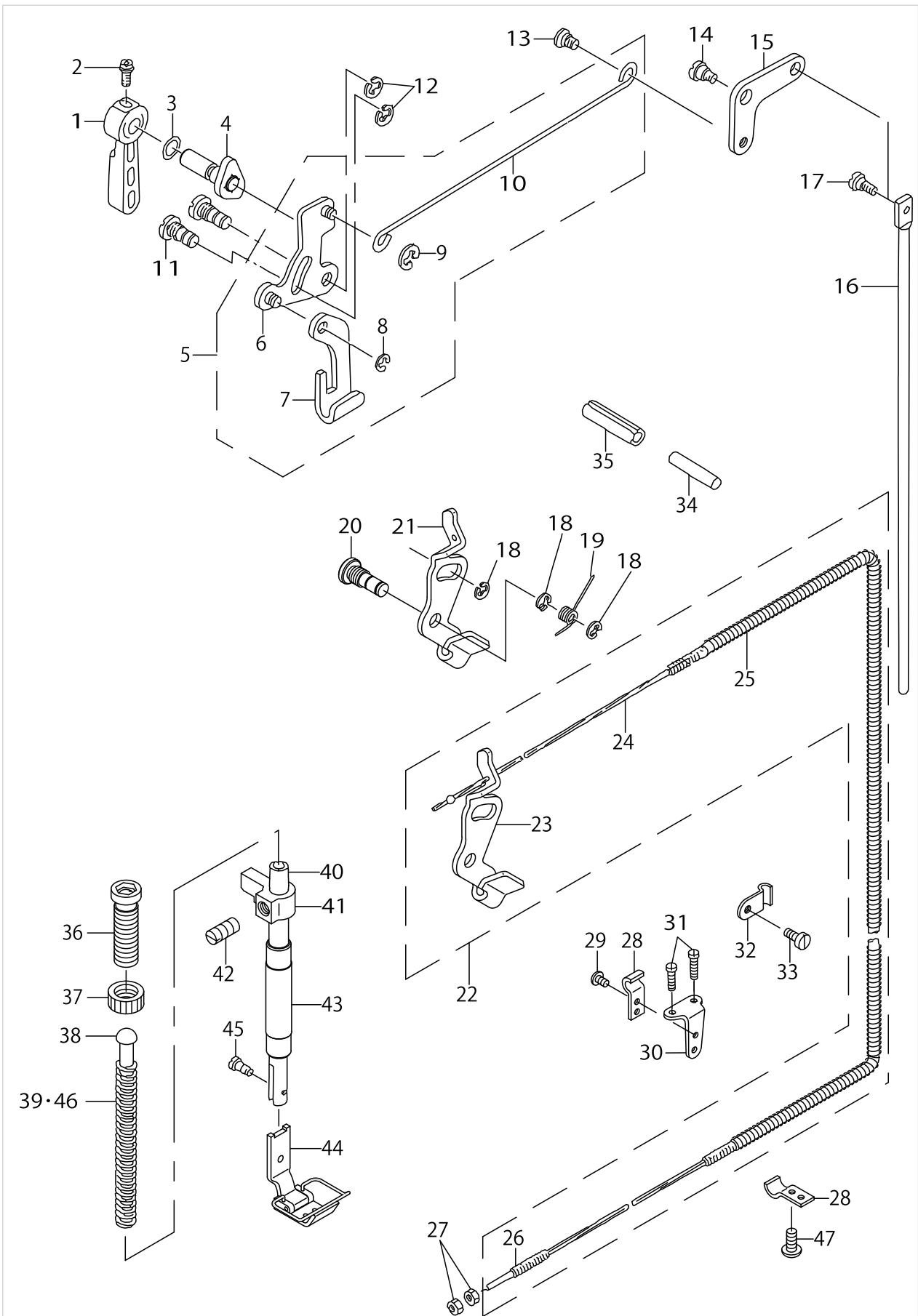
FEED MECHANISM COMPONENTS



FEED MECHANISM COMPONENTS

No.	Supply Code	Parts No.	Replacement	Parts name	Remarks	Choice	Step	Level	Cons	Qty	Rep. QTY
39	R	10107902	21364252	FEED BAR FORK		C	LU-1560N N-7 LU-1565	*		1	1.00
39	R	10107902	21393459	FEED BAR FORK		D	LU-1520N-7	*		1	1.00
39	R	10107902	23003353	FEED BAR FORK		E	PLC-16*	*		1	1.00
39	R	10107902	21336052	FEED BAR FORK		G	LU-1510/1510-7	*		1	1.00
39	R	10107902	22609762	FEED BAR FORK				*		1	1.00
40		SS9151440CP		SCREW15/64-28L=14				*		1	
41		WP0621016SD		WASHER 6.2X13X1				*		1	
42		RE0500711KP		SNAP RING 5						1	
43		B1604012000A		FEED BAR SHAFT						1	
44		SM8050502TP		SCREW M5 L=5						1	
45		22609408		FEED ROCK SHAFT						1	
46		NS6080210SP		NUT 1/8-44						1	
47		SS6081810SP		SCREW 1/8-44 L=18.0						1	
48	R	B1603512000	21364104	FEED ROCKER						1	1.00
49		SS7111310TP		SCREW 11/64-40 L=12.8						2	
50		10106102		BUSHING						2	
51	R	SS8151150SP	SS8151150TP	SCREW 15/64-28 L=10.5						1	1.00
52		22904155		MAIN SHAFT THRU-ST COLLAR ASM.						2	
53	R	B1653470000	40032271	PIN						1	1.00
54		BT0500300EA		OIL TUBE						.09	
55	R	SS7110910SP	SS7110910TP	SCREW 11/64-40 L=8.5						4	1.00
56		10315505		PLATE						2	
57		22609606		FEED DRIVING ROCKER BLOCK, S						2	
58		22609309		FEED ROCKER SHAFT CRANK						1	
59		NS6680320SP		NUT 9/32-28						1	
60		SS6121610TP		SCREW 3/16-28 L=15.5						1	
61		SD0900701TP		HINGE SCREW D= 9 H= 7						1	
62		10315208		FEED ROCK CONNECTING ROD						1	
63		10315455		FEED DRIVING ROCKER ASM.						1	
64		SS7110510SP		SCREW 11/64-40 L=5						1	
65		B1633470000		STOPPER PLATE						1	
66		CQ252000000		OIL WICK						.26	

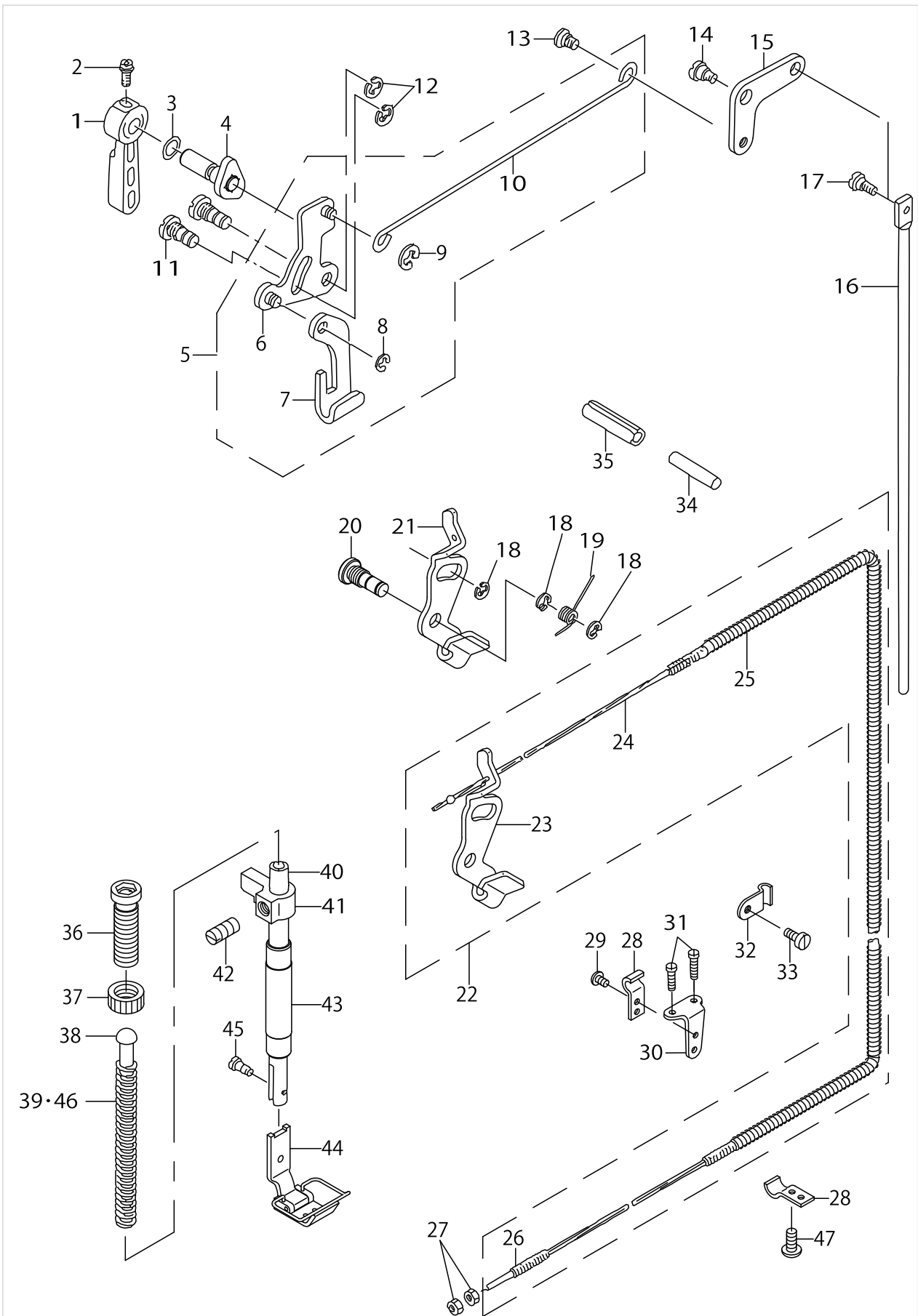
PRESSER BAR & TENSION RELEASE COMPONENTS



PRESSER BAR & TENSION RELEASE COMPONENTS

No.	Supply Code	Parts No.	Replacement	Parts name	Remarks	Choice	Step	Level	Cons	Qty	Rep. QTY
1	R	11071800	22907802	HAND LIFTER						1	1.00
2		B1521555000		SCREW						1	
3		RO037180100		RUBBER RING						1	
4		22908552		HAND LIFTER CAM ASM.						1	
5		22608152		LIFTING LEVER ROD ASM.						1	
6	R	11006350	22908354	HAND LIFTER LINK				*		1	1.00
7	R	11006202	22908354	LIFTING LEVER		A	DDL-5550 5550N 555- 0N-7 5556- N-7 5600NL-7	*		1	1.00
7	R	11006202	23609357	LIFTING LEVER		B	DDL-9000A 9000B	*		1	1.00
7	R	11006202	40057398	LIFTING LEVER		C	LH-3500	*		1	1.00
7	R	11006202	40174387	LIFTING LEVER		D	DDL-9000C	*		1	1.00
8		11007309		E-RING				*		1	
9		RE0500000K0		E-RING				*		1	
10		22608103		LIFTING LEVER CONNECTING ROD				*		1	
11	R	11006509	22908701	LINK SHAFT						2	1.00
12		RE0500000K0		E-RING						2	
13	R	11007101	22908909	HINGE SCREW						1	1.00
14		SD0720332SP		HINGE SCREW D= 7.24 H= 3.3						1	
15		22908800		KNEE LIFTER LINK						1	
16		10125201		CONNECTING ROD, VERTICAL						1	
17		SD0600322SD		HINGE SCREW D=6 H=3.2						1	
18		RE0500000K0		E-RING						3	
19	R	11018207	22920201	TENSION RELEASE RETURN SPRING						1	1.00
20	R	11018108	22920102	TENSION RELEASE SHAFT						1	1.00
21		22617104		TENSION RELEASE PLATE	FOR LH-3120					1	
22		22654958		TENSION RELEASE PLATE ASM.	FOR LH-3120-7					1	
23		22617104		TENSION RELEASE PLATE				*		1	
24		11394509		WIRE CABLE				*		1	
25		22654909		WIRE TUBE				*		1	
26		D3159555B00		SET SCREW				*		1	
27		NS6620310SP		NUT 3/16-32	FOR LH-3120-7					2	
28		D3164555B00		OUTER PRESSER PLATE	FOR LH-3120-7					2	
29		SS4110715SP		SCREW 11/64-40 L=7	FOR LH-3120-7					1	
30		D3163555B00A		FLEXIBLE TUBE SUPPORT PLATE	FOR LH-3120-7					1	
31		SS4111215SP		SCREW 11/64-40L=12	FOR LH-3120-7					2	
32		22620801		PIPE HOLDER	FOR LH-3120-7					1	
33		SS4111015SP		SCREW 11/64-40L=10	FOR LH-3120-7					1	
34		22617005		PUSH BAR						1	
35		PS0600502KP		SPRING PIN						1	
36	R	11071602	22907554	PRESSER SPRING REGULATOR						1	1.00
37	R	11071701	22907554	NUT						1	1.00
38		22907703		PRESSER GUIDE BAR						1	
39		B1505227T00A		PRESSER SPRING T						1	
40		B1501581000		PRESSER BAR						1	
41	R	22608004	40017058	NEEDLE BAR GUIDE BRACKET						1	1.00

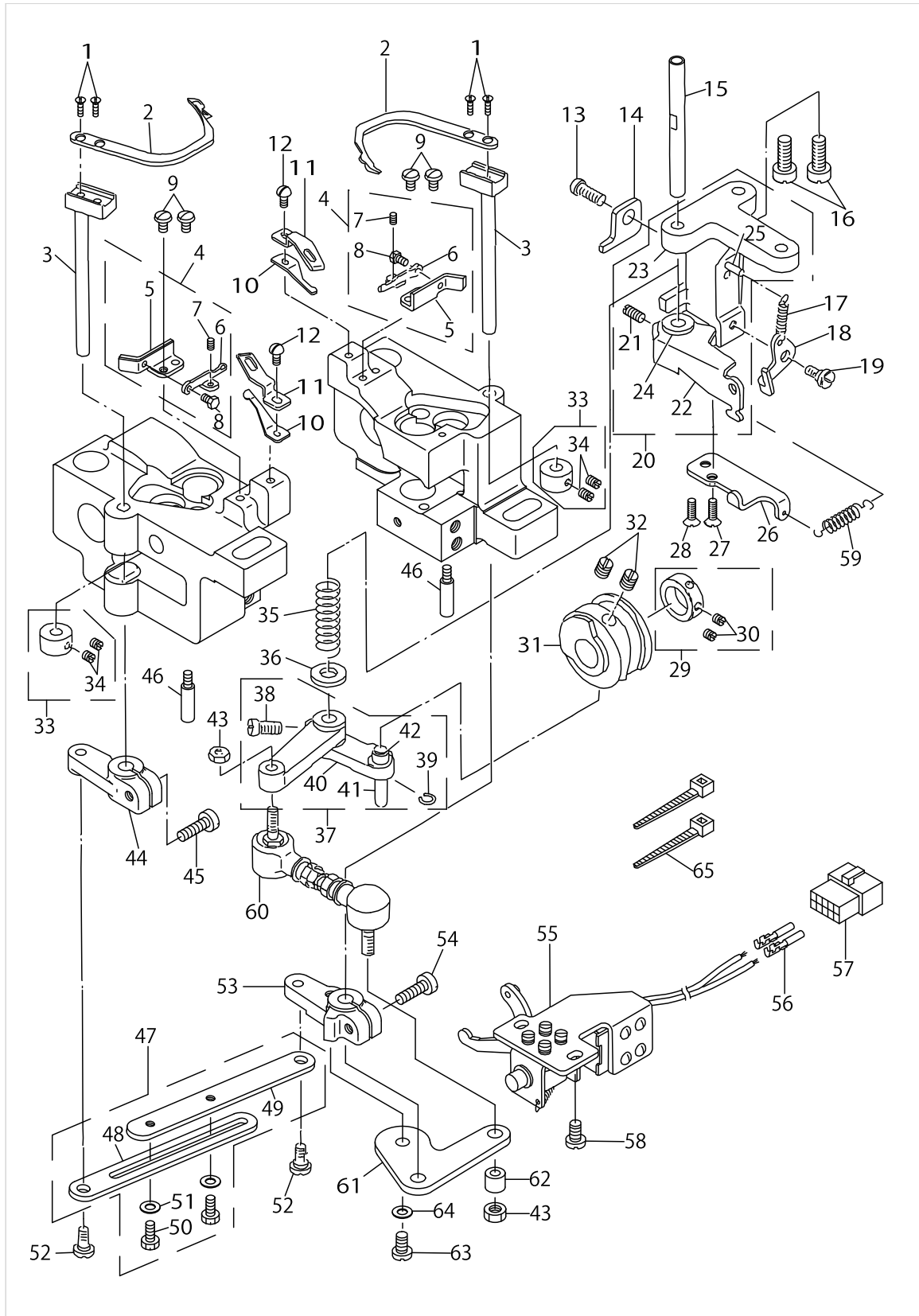
PRESSER BAR & TENSION RELEASE COMPONENTS



PRESSER BAR & TENSION RELEASE COMPONENTS

No.	Supply Code	Parts No.	Replacement	Parts name	Remarks	Choice	Step	Level	Cons	Qty	Rep. QTY
42		SS8660810TP		SCREW 1/4-40 L=8						1	
43		22907109		PRESSER BAR BUSHING, LOWER						1	
44		10392256		PRESSER FOOT ASM. 1/4	EXCHANGI- NG GAUGE PART (SEE P.25)					1	
45		SS7090910TP		SCREW 9/64-40 L=8.5						1	
46		22608400		SPRING, F	FOR STIT- CH SPEC.F					1	
47		SS4110515SP		SCREW 11/64-40 L=5						1	

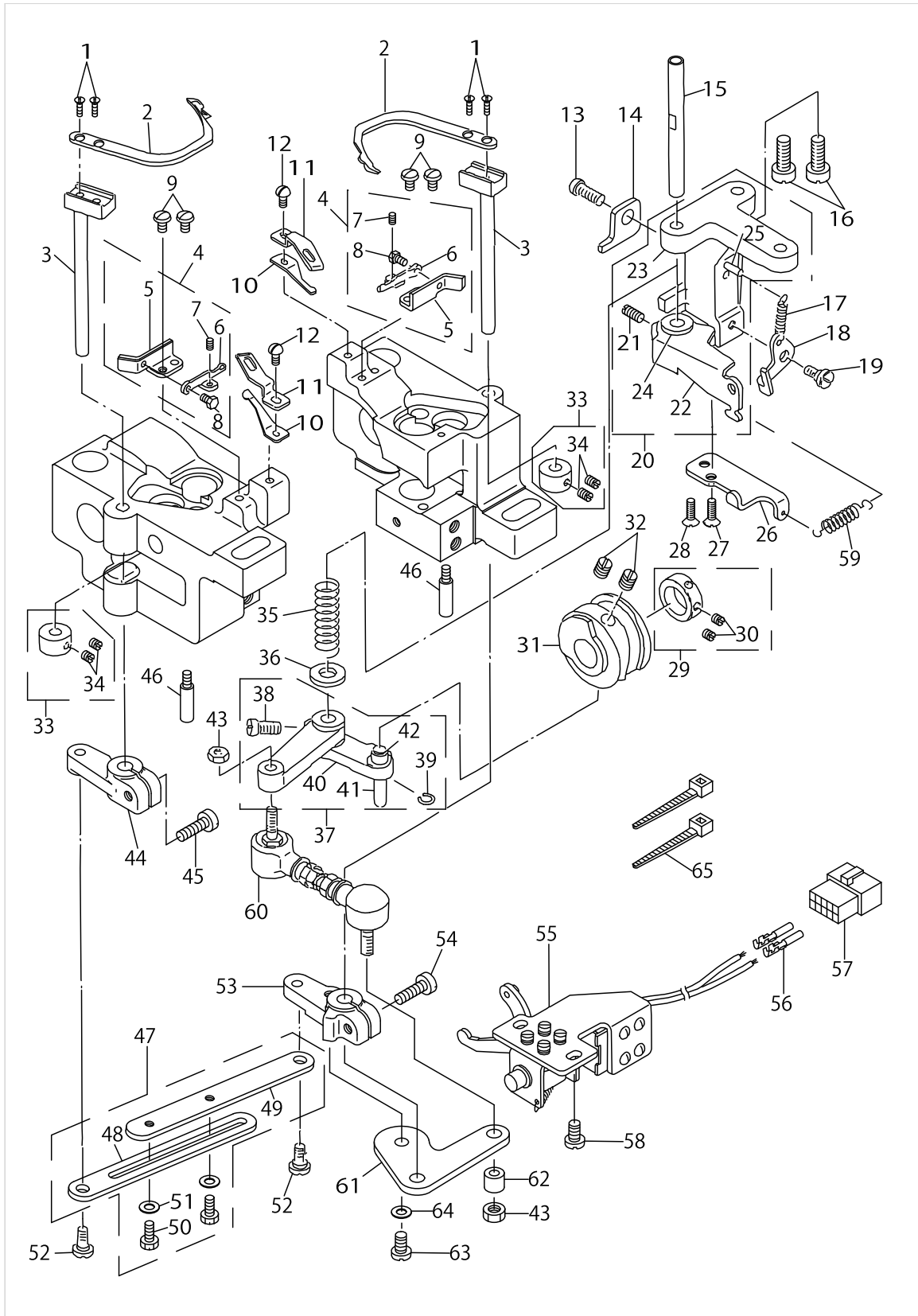
THREAD TRIMMER MECHANISM COMPONENTS (FOR LH-3120-7)



THREAD TRIMMER MECHANISM COMPONENTS (FOR LH-3120-7)

No.	Supply Code	Parts No.	Replacement	Parts name	Remarks	Choice	Step	Level	Cons	Qty	Rep. QTY
1		SS2080810SP		SCREW 1/8-44 L=7.5						4	
2		10211605		MOVING KNIFE						2	
3	D	10116051		MOVING KNIFE SHAFT ASM.						2	
4	D	22654255		MOVING KNIFE SUPPORT ASM.						2	
5		22654206		MOVING KNIFE SUPPORT PLATE				*		2	
6	D	10211407		THREAD PRESSER ADJUSTING PLATE				*		2	
7		SS8080610SP		SCREW 1/8-44 L=5.5				*		2	
8		SS9080410SP		SCREW 1/8-44 L=4.3				*		2	
9		SS5090610SP		SCREW 9/64-40 L=6						4	
10		22655401		THREAD PRESSER						2	
11		22655302		COUNTER KNIFE						2	
12		SS7090710SP		SCREW 9/64-40 L=6.8						2	
13		SS6121212TP		SCREW 3/16-28 L=12.0						1	
14		22654800		STOPPER, A						1	
15		10116804		SHAFT						1	
16		SS7151610SP		SCREW 15/64-28 L=16						2	
17		B3418180000		SPRING						1	
18	D	10117208		TENSION DISC RELEASE PLATE						1	
19		SD0600271SP		HINGE SCREW D=6 H=2.7						1	
20		22655153		LINK INSTALLING BASE ASM.						1	
21		SS8111010TP		SCREW 11/64-40 L=9.5				*		1	
22		22655104		TENSION DISC RELEASE ARM				*		1	
23		10116606		LINK INSTALLING BASE				*		1	
24		10117109		BUSHING				*		1	
25		PS0300201KP		SPRING PIN 3.0X20				*		1	
26		22654701		STOPPER PLATE						1	
27		SS2110920TP		SCREW 11/64-40 L=8.5						1	
28		SS2110930SP		SCREW 11/64-40 L=8.7						1	
29		CS1470710SH		THRUST COLLAR A-SM. D=14.72 W=7						1	
30		SS8110410TP		SCREW 11/64-40 L=3.5				*		2	
31	D	22654107		THREAD TRIMMER CAM						1	
32		SS8660810TP		SCREW 1/4-40 L=8						2	
33		CS070081BSH		THRUST COLLAR ASM. D=7 W=8						2	
34	R	SS8110510SP	SS8110520TP	SCREW 11/64-40 L=5				*		4	1.00
35		10116903		SPRING						1	
36		WP0753016SZ		WASHER 7.5X16.0X3.0						1	
37	D	10116754		CAM INSTALLING LINK ASM.						1	
38		SS6151220SP		SCREW 15/64-28 L=11.5				*		1	
39		D2430555B00		SNAP RING				*		1	
40	D	10116705		CAM INSTALLING LINK				*		1	
41	D	D2428555B00A		CAM ROLLER SHAFT				*		1	
42		D2427555B00B		CAM ROLLER				*		1	
43		NM6050001SP		NUT M5						2	
44	D	22654404		DRIVING ARM, LEFT						1	
45		SS6121610TP		SCREW 3/16-28 L=15.5						1	

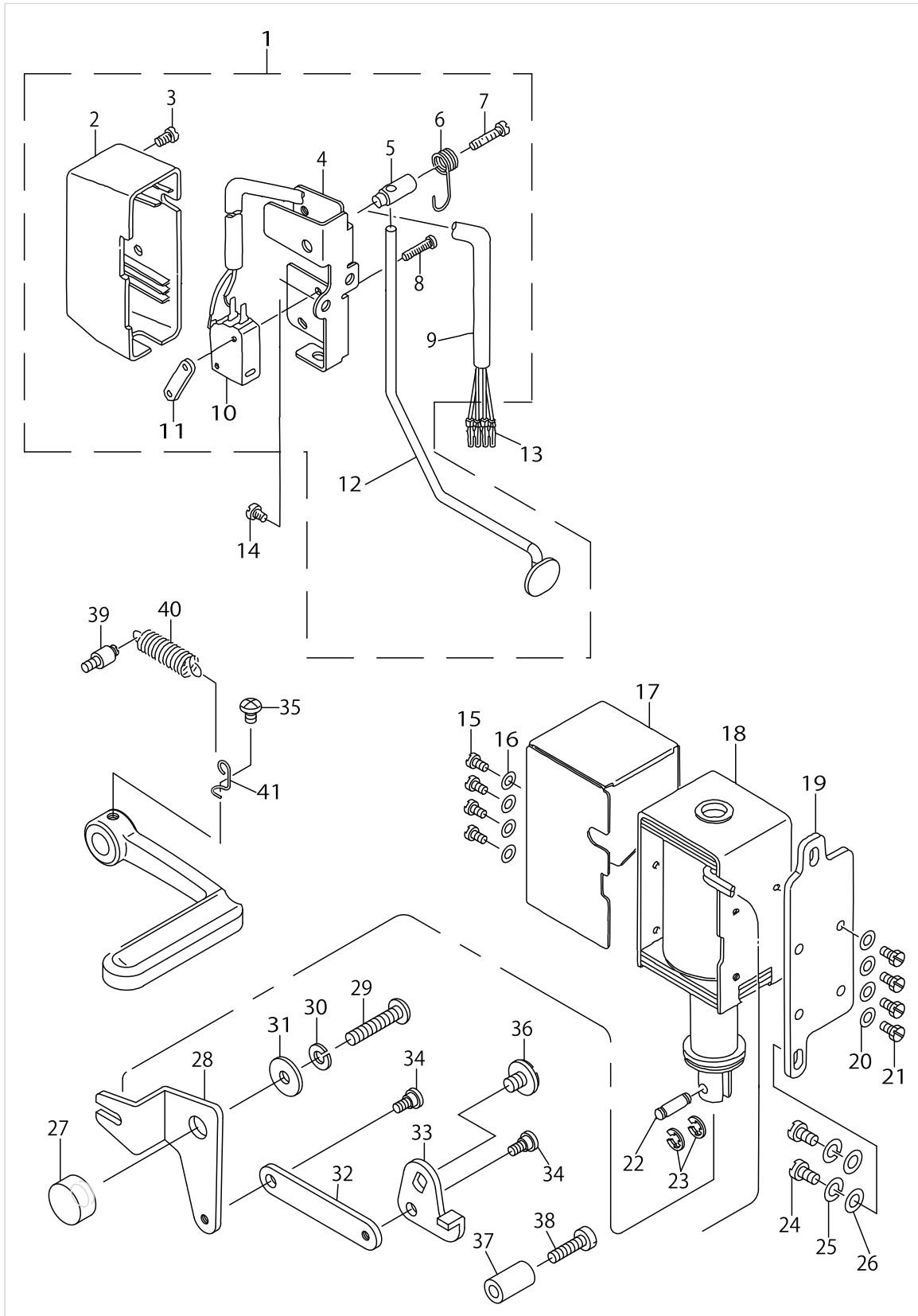
THREAD TRIMMER MECHANISM COMPONENTS (FOR LH-3120-7)



THREAD TRIMMER MECHANISM COMPONENTS (FOR LH-3120-7)

No.	Supply Code	Parts No.	Replacement	Parts name	Remarks	Choice	Step	Level	Cons	Qty	Rep. QTY
46		B1515051000		HAND LIFTER PIN						2	
47		22654552		CONNECTING LINK ASM.						1	
48		22654503		CONNECTING LINK, A				*		1	
49		22654602		CONNECTING LINK, B				*		1	
50		SS9111010SP		SCREW 11/64-40 L=9.5				*		2	
51		WP0501016SD		WASHER 5X10.5X1				*		2	
52		SD0650305TP		HINGE SCREW D= 6.5 H= 3						2	
53	D	22654305		DRIVING ARM, RIGHT						1	
54		SS6121610TP		SCREW 3/16-28 L=15.5						1	
55	D	10117851		SOLENOID ASM.						1	
56		HK03464000B		PIN CONTACT						2	
57		HK034610140		HOUSING 14P						1	
58		SS6151040SP		SCREW 15/64-28L=10						2	
59		B3041980000		SPRING						1	
60		22655005		JOINT ROD						1	
61	D	22654008		DRIVING ARM PLATE						1	
62		B3417051000		REAR LIFTING BAR ROLLER						1	
63		SS6120940SP		SCREW 3/16-28 L=9						1	
64		WP0501016SD		WASHER 5X10.5X1						1	
65		EA9500B0100		CABLE BAND						2	

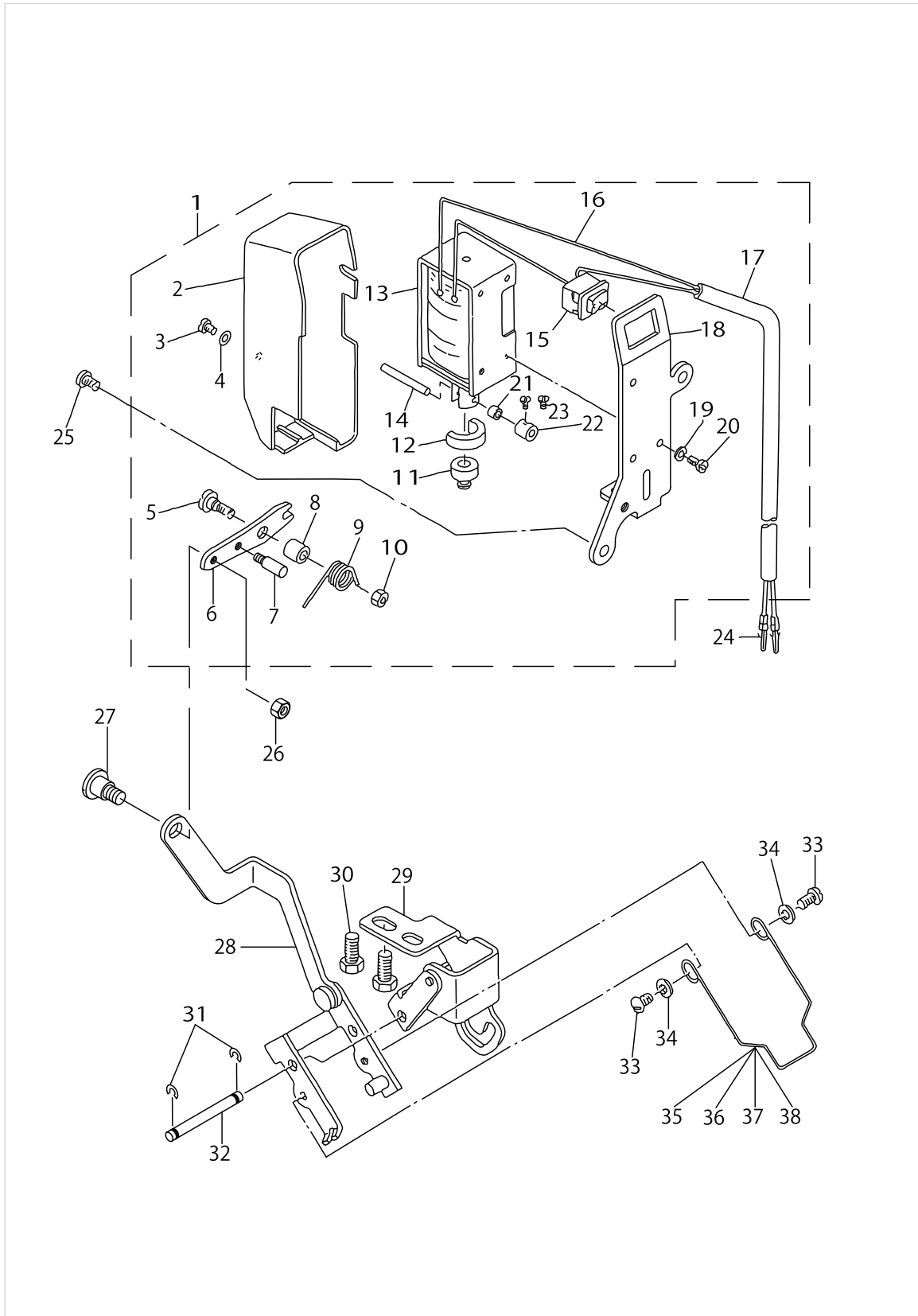
AUTOMATIC REVERSE FEED MECHANISM COMPONENTS (FOR LH-3120-7)



AUTOMATIC REVERSE FEED MECHANISM COMPONENTS (FOR LH-3120-7)

No.	Supply Code	Parts No.	Replacement	Parts name	Remarks	Choice	Step	Level	Cons	Qty	Rep. QTY
1		22656557		REVERSE FEED SWITCH ASM.						1	
2	R	11072501	22954606	REVERSE FEED SWITCH COVER				*		1	1.00
3		SM4040655SP		SCREW M4 L=6				*		1	
4		22656508		REVERSE FEED SWITCH BASE				*		1	
5	R	11102100	22954200	REVERSE FEED SWITCH SHAFT				*		1	1.00
6	R	11102209	22954309	REVERSE FEED SWITCH SPRING				*		1	1.00
7		SM4041655SP		SCREW M4 L=16				*		1	
8		SM4031501SC		SCREW M3 L=15				*		2	
9		HW500070000		2-CORE CABTYRE CORD				*		1.4	
10		HA001900000		MICROSWITCH				*		1	
11	R	11102308	22954408	MICRO SWITCH PLATE				*		1	1.00
12		22656607		REVERSE FEED SWITCH LEVER				*		1	
13		HK03464000B		PIN CONTACT						4	
14		SS4120615SP		SCREW 3/16-28 L=6						2	
15		SS7110710SP		SCREW 11/64-40 L=7						4	
16		WP0501016SD		WASHER 5X10.5X1						4	
17		10161305		SOLENOID COVER						1	
18		10119105		REVERSE FEED SOLENOID, AC24V						1	
19		10119204		SOLENOID INSTALLING PLATE						1	
20		WP0501016SD		WASHER 5X10.5X1						4	
21		SS9111010SP		SCREW 11/64-40 L=9.5						4	
22		D2464555B00		LINK DRIVING MAGNET PIN						1	
23		RE0400000K0		E-RING 4						2	
24		SS7151210SP		SCREW 15/64-28 L=12						2	
25		WS0631510KP		SPRING WASHER						2	
26		WP0621016SD		WASHER 6.2X13X1						2	
27	D	22656409		LINK FULCULUM						1	
28		22656300		REVERSE FEED LINK, L						1	
29		SS4153015SP		PAN-SCREW 15/64-28 L=30						1	
30		WS0610002KP		SPRING WASHER						1	
31		WP0612056SD		WASHER 6.1X18.5X2						1	
32		22656201		REVERSE FEED LINK, (2)						1	
33		22656102		REVERSE FEED LINK, (1)						1	
34		SD0640321SP		HINGE SCREW D= 6.35 H= 3.2						2	
35		SS4120615SP		SCREW 3/16-28 L=6						1	
36		SS7120760SP		SCREW 3/16-28 L=7.0						1	
37	R	11100500	22952501	REVERSE FEED LEVER STOPPER						1	1.00
38		SS6121840SP		SCREW 3/16-28 L=18						1	
39	R	B1506352000	26226407	TENSION SPRING RACK B						1	1.00
40	R	13515606	26226209	SPRING						1	1.00
41		22656003		SPRINGSUSPENSION						1	

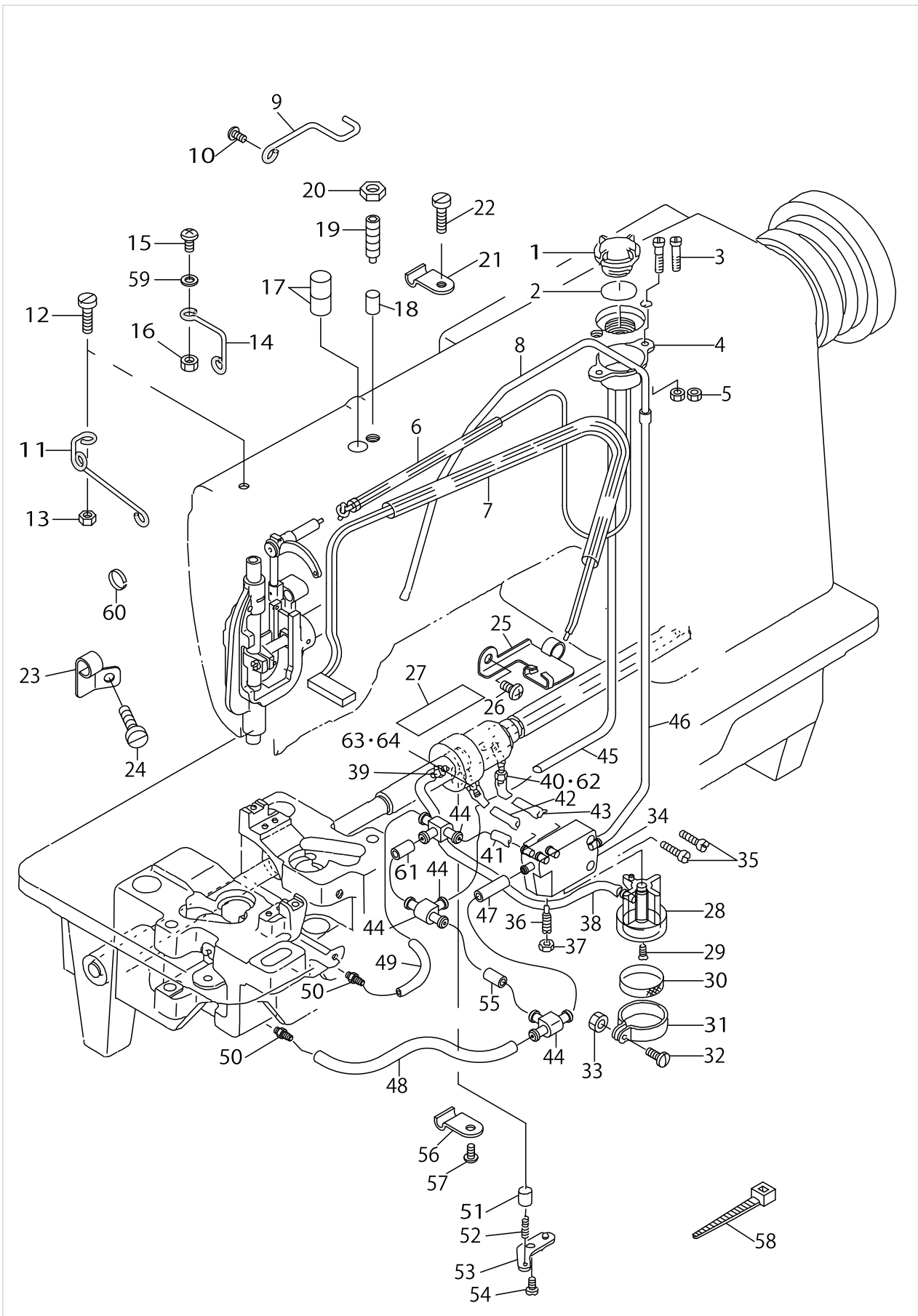
WIPER MECHANISM COMPONENTS (FOR LH-3120-7)



WIPER MECHANISM COMPONENTS (FOR LH-3120-7)

No.	Supply Code	Parts No.	Replacement	Parts name	Remarks	Choice	Step	Level	Cons	Qty	Rep. QTY
1		22657159		WIPER SOLENOID ASM.						1	
2	R	11072709	22955504	WIPER COVER				*		1	1.00
3		SM4030601SN		SCREW M3 X 6				*		1	
4		WP0320501SC		WASHER M3				*		1	
5		SD0650321TP		HINGE SCREW D=6.5 H=3.2				*		1	
6		22657209		WIPER LINK, A				*		1	
7	R	B2024771000	40009196	SUSPENSION SCREW				*		1	1.00
8	R	11110707	22956205	WIPER HINGE SCREW COLLAR				*		1	1.00
9		22657308		WIPER SPRING				*		1	
10		NS6110310SP		NUT 11/64-40				*		1	
11	R	11110400	22955900	WIPER RUBBER A				*		1	1.00
12	R	11110509	22956007	WIPER RUBBER B				*		1	1.00
13	R	11110301	40106936	WIPER SOLENOID				*		1	1.00
14		11111705		WIPER SOLENOID PIN				*		1	
15		HA000590000		POWER SWITCH				*		1	
16		HW200390000		ELECTRIC WIRE				*		0.1	
17		HW500070000		2-CORE CABTYRE CORD				*		1.4	
18	D	22657100		WIPER SOLENOID BASE				*		1	
19		WS0310002KN		SPRING WASHER M3				*		3	
20		SM4030601SN		SCREW M3 X 6				*		3	
21	R	11111804	22957203	WIPER LINK COLLAR				*		1	1.00
22	R	CS0300711SP	CS030071ASP	THRUST COLLAR				*		1	1.00
23		SS6080320SP		SCREW 1/8-44 L=2.5				*		2	
24		HK03464000B		PIN CONTACT						2	
25		SS4120615SP		SCREW 3/16-28 L=6						1	
26		NS6090310SP		NUT 9/64-40						1	
27		SD0500301SP		HINGE SCREW D= 5 H= 3						1	
28		22657050		WIPER LINK ASM., 2						1	
29		10208551		WIPER BASE ASM.						1	
30		SS9111010SP		SCREW 11/64-40 L=9.5						2	
31		RE0320000K0		E-RING 3.2						2	
32		10208700		WIPER LINK SHAFT						1	
33		SS3090520SP		SCREW 9/64-40 L=4.5						2	
34		WP0371016SD		WASHER 3.7X8X1						2	
35		10209203		WIPER 3/32"-3/8	SELECTIVE PART (SEE P.27)					1	
36		10209500		WIPER	SELECTIVE PART (SEE P.27)					1	
37		10209807		WIPER	SELECTIVE PART (SEE P.27)					1	
38		10209906		WIPER	SELECTIVE PART (SEE P.27)					1	

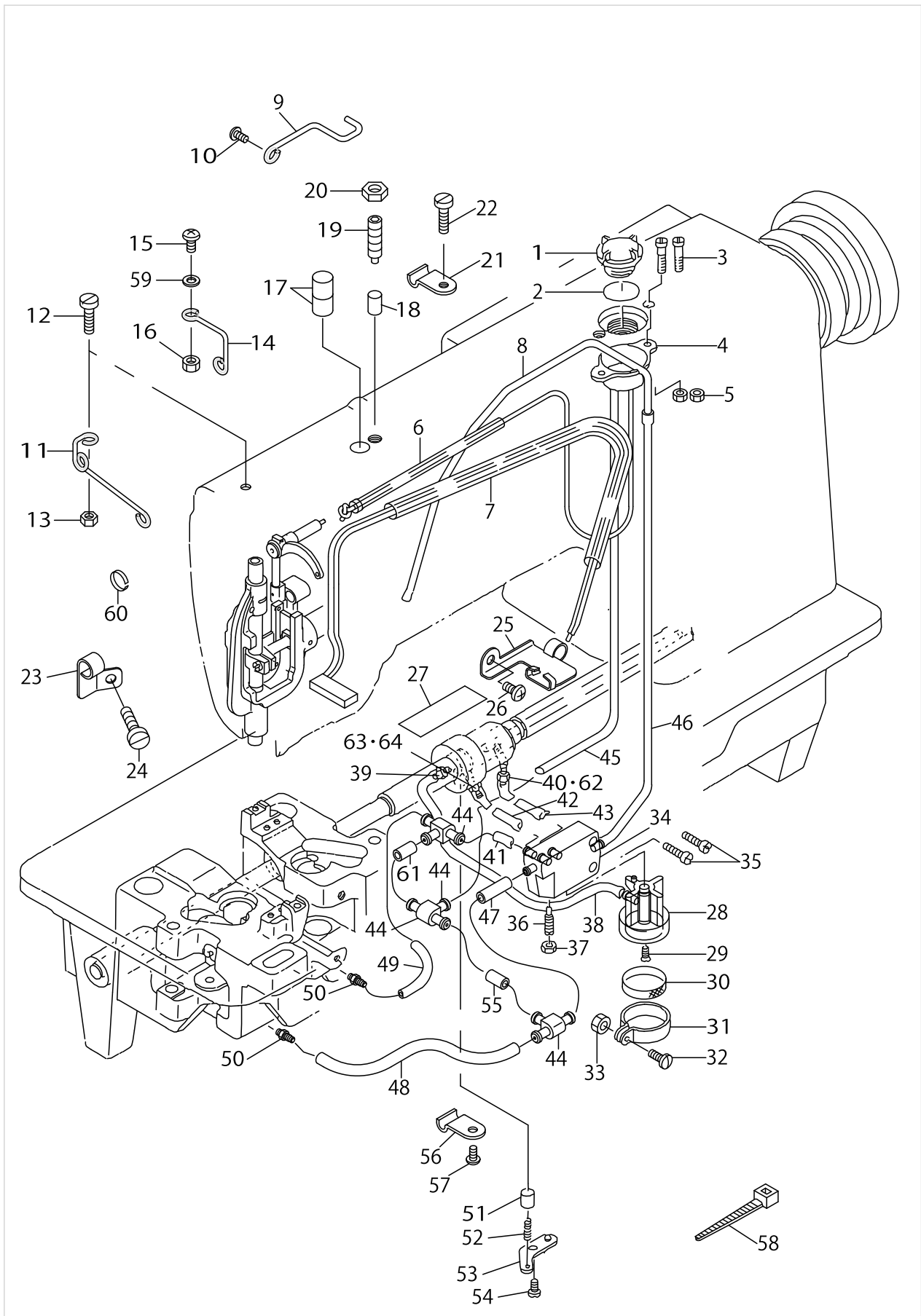
LUBRICATION COMPONENTS



LUBRICATION COMPONENTS

No.	Supply Code	Parts No.	Replacement	Parts name	Remarks	Choice	Step	Level	Cons	Qty	Rep. QTY
1	R	B3530555000	22924708	OIL SIGHT WINDOW						1	1.00
2		RO195240100		RUBBER RING						1	
3		SS4111815SP		SCREW 11/64 L=18						2	
4		10216703		OIL TANK						1	
5		NS6110310SN		NUT 11/64-40						2	
6		22620355		OIL PIPE ASM.						1	
7		22620454		FELT ASM.						1	
8		22620702		OIL TUBE						1	
9	D	22620108		PIPE HOLDER, B						1	
10		SS4110715SP		SCREW 11/64-40 L=7						1	
11	R	22619209	40017055	OIL WICK GUIDE						1	1.00
12		SS6121610SP		SCREW 3/16-28 L=15.5						1	
13		NS6120310SP		NUT 3/16-28						1	
14		22620504		OIL WICK HOLDER						1	
15		SS4111215SP		SCREW 11/64-40 L=12						1	
16		NS6110420SP		NUT 11/64-40						1	
17		B3517009000		OIL FELT REAR						2	
18	D	22619415		OIL ADJUSTING SHAFT						1	
19		SS8701782TP		SCREW 5/16-24 L=17.0						1	
20		NS6700420SP		NUT 5/16-24						1	
21		22620801		PIPE HOLDER						1	
22		SS6111610SP		SCREW 11/64-40 L=16						1	
23		22619902		PIPE HOLDER						1	
24		SS4110615SP		SCREW 11/64-40 L=6						1	
25	D	22619803		VILENE HOLDER						1	
26		SS4110715SP		SCREW 11/64-40 L=7						1	
27		22619605		VILENE						1	
28	D	22619001		SUCTION						1	
29		SS2110930SP		SCREW 11/64-40 L=8.7						1	
30		B1851512000		FILTER SCREEN						1	
31	R	B1850512000	40009379	BUSHING HOLDER						1	1.00
32	R	SS7090910SP	SS7090910TP	SCREW 9/64-40 L=8.5						1	1.00
33		NS6090310SP		NUT 9/64-40						1	
34		10623403		BASE						1	
35		SS6111610SP		SCREW 11/64-40 L=16						2	
36		B1834512000A		OIL ADJUSTING SCREW						1	
37		NS6110310SP		NUT 11/64-40						1	
38		23630007		TUBE						.12	
39		SQ1150451MZ		CONNECTING SCREW						1	
40		SQ1110401MZ		CONNECTING SCREW	FOR LH-3120-7					1	
41		23630007		TUBE						.02	
42		23630007		TUBE						.08	
43		23630007		TUBE						.09	
44		13765607		OIL CONNec. ARM						3	
45		23630007		TUBE						.51	
46		23630007		TUBE						.4	

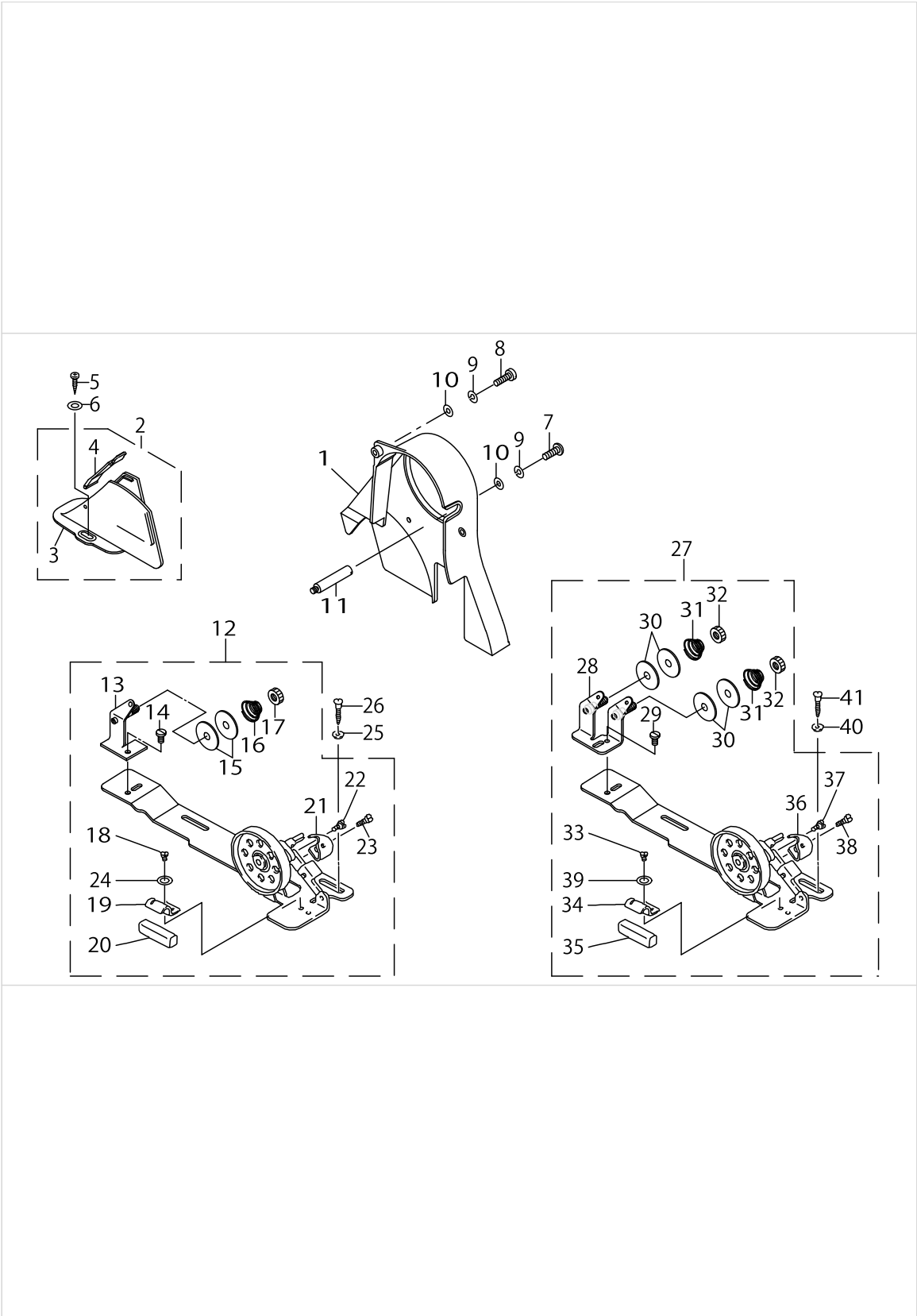
LUBRICATION COMPONENTS



LUBRICATION COMPONENTS

No.	Supply Code	Parts No.	Replacement	Parts name	Remarks	Choice	Step	Level	Cons	Qty	Rep. QTY
47		23630007		TUBE						.05	
48		23630007		TUBE						.21	
49		23630007		TUBE						.15	
50		SQ1110401MZ		CONNECTING SCREW						2	
51		B3534155000		PLUNGER						1	
52		B1214038000		PLUNGER SPRING						1	
53		B3524552000		PLUNGER THRUST PLATE						1	
54		SS4110815SP		SCREW 11/64-40 L=8						1	
55		23630007		TUBE						.02	
56		B3538112000		OIL RETURN TUBE HOLDER						1	
57		SS4110815SP		SCREW 11/64-40 L=8						1	
58		EA9500B0100		CABLE BAND						1	
59		B3534012000		GASKET						1	
60		B1414512000		OIL WICK RETAINER						1	
61		23630007		TUBE						.02	
62		22619704		OILING JOINT	FOR LH-3120					1	
63		22619704		OILING JOINT	FOR LH-3120-7					1	
64		SQ1110401MZ		CONNECTING SCREW	FOR LH-3120					1	

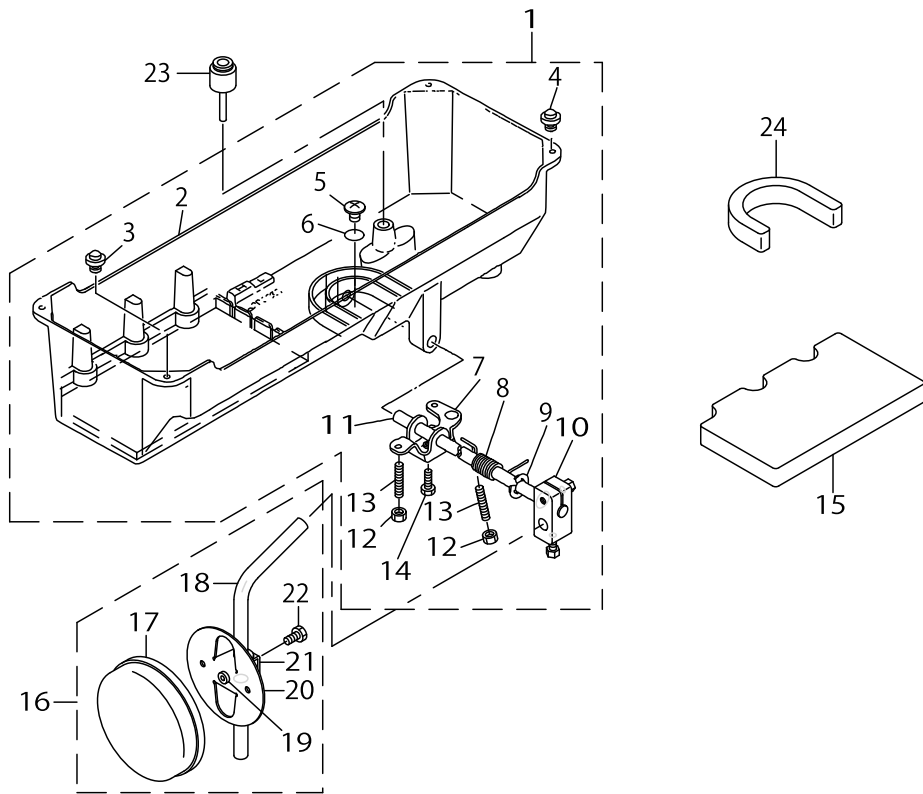
BELT COVER & BOBBIN WINDER COMPONENTS



BELT COVER & BOBBIN WINDER COMPONENTS

No.	Supply Code	Parts No.	Replacement	Parts name	Remarks	Choice	Step	Level	Cons	Qty	Rep. QTY
1	D	22603401		BELT COVER A ASM.						1	
2	R	11076858	22933659	BELT COVER B ASM.						1	1.00
3	R	11076809	22933659	BELT COVER B				*		1	1.00
4	R	11076957	22933659	BELT COVER B CAP ASM.				*		1	1.00
5	R	SK3412000SC	SK3412000SE	WOOD SCREW D=4.1 L=20						2	1.00
6		WP0501016SC		WASHER 5X10.5X1						2	
7		SS4111215SP		SCREW 11/64-40L=12						2	
8		SS6121610SP		SCREW 3/16-28 L=15.5						1	
9		WS0451040KP		SPRING WASHER 4.5X8.5X1						3	
10		WP0501016SD		WASHER 5X10.5X1						3	
11		B8233555000		BELT COVER SUPPORT STUD						2	
12	R	11077567	22927354	BOBBIN WINDER COMPL.						1	1.00
13		11078250		THREAD TENSION BRACKET ASM.				*		1	
14		SS7110840SP		SCREW 11/64-40 L=7.8				*		1	
15	R	B3126012000	22921506	THREAD TENSION DISK				*		2	1.00
16	R	B3129012B00	22929004	THREAD TENSION SPRING				*		1	1.00
17	R	B3125012000	22928808	THREAD TENSION NUT				*		1	1.00
18		SS4110515SP		SCREW 11/64-40 L=5				*		1	
19		11078102		PRESSER PLATE				*		1	
20		B3211555000		RUBBER BRAKE				*		1	
21		11078003		POSITIONINGFINGER				*		1	
22		SD0490261SP		HINGE SCREW D=4.9 H=2.6				*		1	
23		SS7081310SP		SCREW 1/8-44 L=12.5				*		1	
24		WP0480856SP		WASHER 4.8X8.4X0.8				*		1	
25		WP0501016SC		WASHER 5X10.5X1						2	
26	R	SK3482500SC	SK3482501SE	WOOD SCREW D=4.8 L=25						2	1.00
27		22621155		THREAD WINDER ASM.	FOR JE					1	
28		22621056		TENSION BAR BASE				*		1	
29		SS7110840SP		SCREW 11/64-40 L=7.8				*		1	
30	R	B3126012000	22921506	THREAD TENSION DISK				*		4	1.00
31	R	B3129012B00	22929004	THREAD TENSION SPRING				*		2	1.00
32	R	B3125012000	22928808	THREAD TENSION NUT				*		2	1.00
33		SS4110515SP		SCREW 11/64-40 L=5				*		1	
34		11078102		PRESSER PLATE				*		1	
35		B3211555000		RUBBER BRAKE				*		1	
36		22621106		BOBBIN PRESSER				*		1	
37		SD0490261SP		HINGE SCREW D=4.9 H=2.6				*		1	
38		SS7081310SP		SCREW 1/8-44 L=12.5				*		1	
39		WP0480856SP		WASHER 4.8X8.4X0.8				*		1	
40		WP0501016SC		WASHER 5X10.5X1						2	
41	R	SK3482500SC	SK3482501SE	WOOD SCREW D=4.8 L=25						2	1.00

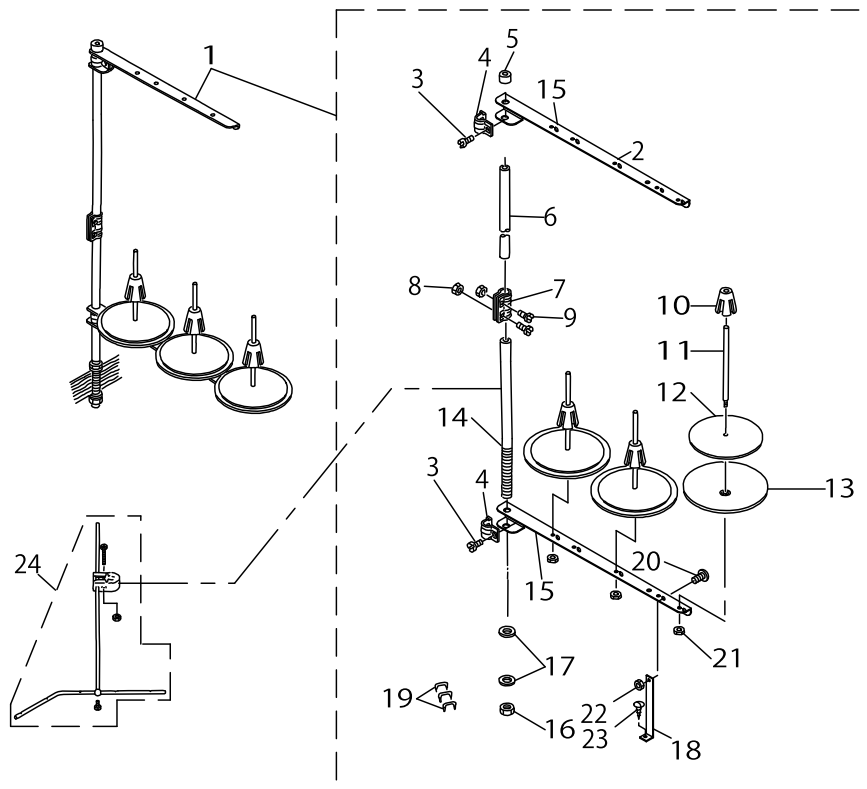
OIL RESERVOIR & KNEE LIFTER COMPONENTS



OIL RESERVOIR & KNEE LIFTER COMPONENTS

No.	Supply Code	Parts No.	Replacement	Parts name	Remarks	Choice	Step	Level	Cons	Qty	Rep. QTY
1		10162253		OIL RESERVOIR ASM.						1	
2	R	10162204	10162253	OIL RESERVOIR				*		1	1.00
3		10162600		RUBBER CUSHION				*		2	
4		11047107		RUBBER CUSHION				*		2	
5		SM0081001SD		SCREW				*		1	
6		RO098240100		RUBBER RING				*		1	
7	R	11024015	22932156	CONNECTING ROT, VERTICAL				*		1	1.00
8	R	11024106	22932206	SPRING				*		1	1.00
9		RE1000000K0		E-RING 10				*		1	
10		22932453		BRACKET ASM.				*		1	
11	R	11024205	22932305	KNEE PRESS ROD				*		1	1.00
12		NM6060001SE		NUT M6				*		2	
13		SM8063012TR		SCREW M6 L=30				*		2	
14		SM9061853SR		SCREW M6 L=17.5				*		1	
15		22622104		OIL RESERVOIR SPACER, B						1	
16		22934251		KNEE PAD PLATE ASM.						1	
17		22934509		KNEE PAD PLATE COVER				*		1	
18		22934608		KNEE PAD UPRIGHT SHAFT				*		1	
19		22934400		KNEE PAD PLATE RUBBER				*		1	
20		22934202		KNEE PAD PLATE				*		1	
21		22934301		KNEE PAD PLATE SUPPORT				*		1	
22		SM9061203SE		SCREW M6 L=12				*		1	
23	R	11024304	22931703	KNEE PRESS LIFTER ROD						1	1.00
24		22622005		OIL RESERVOIR SPACER, A						1	

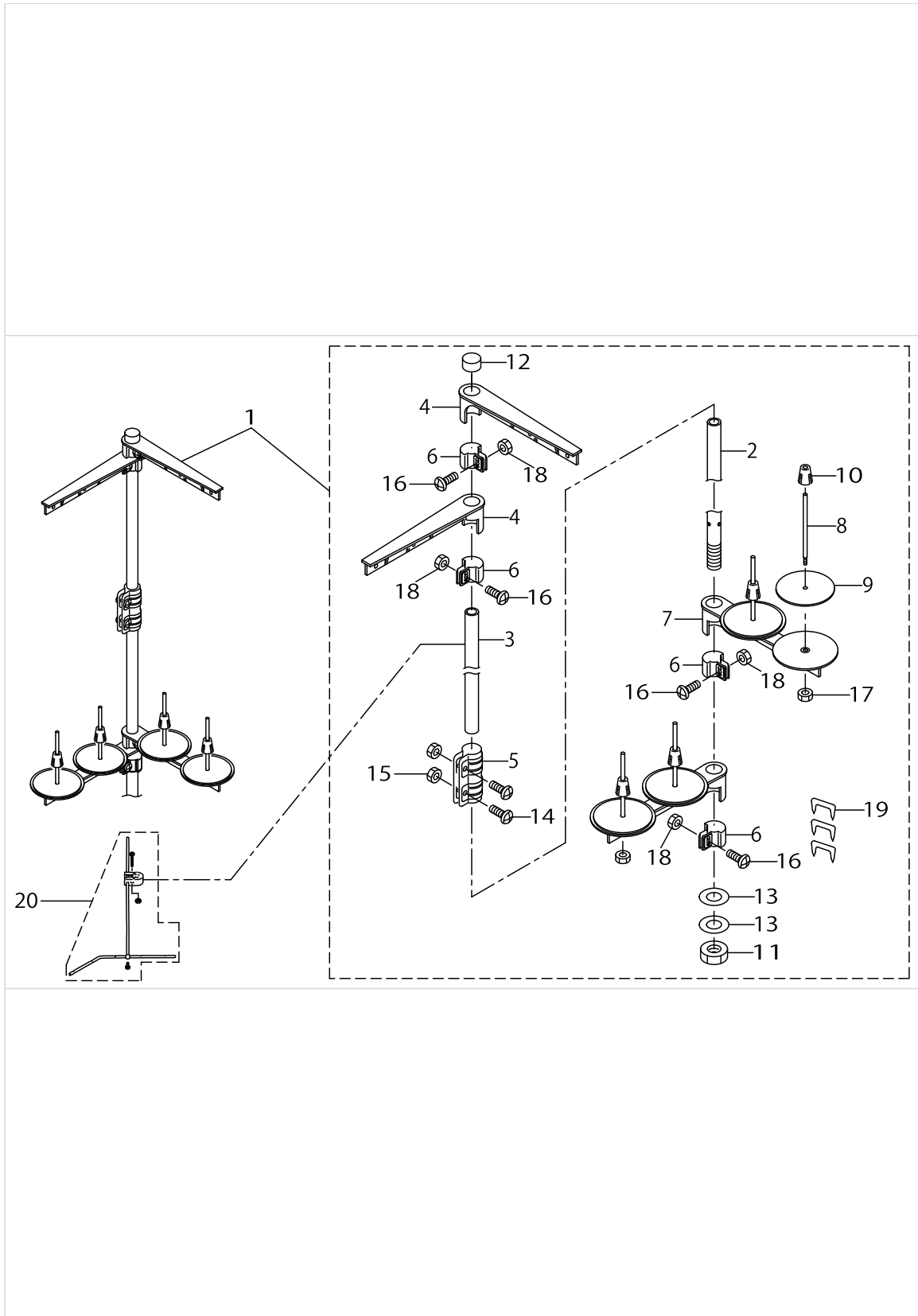
THREAD STAND COMPONENTS (1)



THREAD STAND COMPONENTS (1)

No.	Supply Code	Parts No.	Replacement	Parts name	Remarks	Choice	Step	Level	Cons	Qty	Rep. QTY
1	R	D3301772TAB	26105551	THREAD STAND ASM.		A	LBH,MOL,AVP			1	1.00
1	R	D3301772TAB	26910158	THREAD STAND ASM.		B	LG,LH,LU			1	1.00
2	R	B3319704L00	22931208	THREAD GUIDE				*		3	1.00
3		SM6061610SC		SCREW M6 L=16				*		2	
4		B3318704L00A		THREAD GUIDE ARM JOINT				*		2	
5	R	11184108	22931406	SPOOL REST ROD RUBBER CAP				*		1	1.00
6	D	11183704		SPOOL REST ROD, UPPER				*		1	
7	R	B3305704000A	40096354	SPOOL REST ROD JOINT				*		1	1.00
8		NM6050001SE		NUT M5				*		2	
9		SM4051405SE		SCREW M5 L=14				*		2	
10	R	11184009	40096354	SPOOL RETAINER				*		3	1.00
11	R	B3320704L00A	40085790	SPOOL PIN				*		3	1.00
12	D	B3311012000		SPOOL REST CUSHION				*		3	
13	D	11183902		SPOOL REST				*		3	
14	R	11183605	40096354	SPOOL REST ROD, LOWER				*		1	1.00
15	D	11957602		THREAD GUIDE ARM, A				*		2	
16	R	B3317704000	NM6160511SE	NUT				*		2	1.00
17		WP1702600S0		WASHER 17X30X2.6				*		2	
18	R	WS1643202KR	WP1612616SE	SPRING WASHER		A		*		1	2.00
18	R	WS1643202KR	40085796	SPRING WASHER		A		*		1	2.00
19		MAO11532000		CORD STAPLE				*		3	
20		WS0510002KN		SPRING WASHER				*		3	
21		NM6050001SE		NUT M5				*		3	
22	D	D3310555D00		RUBBER WASHER				*		1	
23	R	B33097040A0	26910059	THREAD GUIDE ARM ASM.						1	1.00
24	R	B33097040A0	26910059	THREAD GUIDE ARM ASM.	FOR TYPE,- DESTINATION					1	1.00



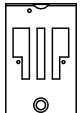

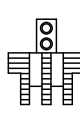
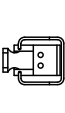
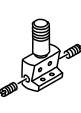
THREAD STAND COMPONENTS (2)



THREAD STAND COMPONENTS (2)

No.	Supply Code	Parts No.	Replacement	Parts name	Remarks	Choice	Step	Level	Cons	Qty	Rep. QTY
1	R	10162758	26910158	THREAD STANDING DEVICE ASM.	FOR JE					1	1.00
2	R	11185105	40096354	SPOOL REST ROD,LOWER				*		1	1.00
3	R	11185204	40096354	SPOOL REST ROD,UPPER				*		1	1.00
4	R	11185352	40096354	THREAD GUIDE ASM.				*		2	1.00
5	R	B3305704000A	40096354	SPOOL REST ROD JOINT				*		1	1.00
6	R	11185402	40096354	THREAD GUIDE ARM JOINT				*		4	1.00
7	D	11185006		SPOOL REST ARM				*		2	
8	R	B3320704L00A	40085790	SPOOL PIN				*		4	1.00
9	D	B3311012000		SPOOL REST CUSHION				*		4	
10	D	11185501		SPOOL RETAINER				*		4	
11	R	B3317704000	NM6160511SE	NUT				*		1	1.00
12	R	B3311704000	22931406	SPOOL REST ROD CAP				*		1	1.00
13		WP1612616SE		WASHER 16X30X2.6				*		2	
14		SM4051405SE		SCREW M5 L=14				*		2	
15		NM6050001SE		NUT M5				*		2	
16		SM4051405SE		SCREW M5 L=14				*		4	
17		NM6050001SE		NUT M5				*		4	
18		NM6050001SE		NUT M5				*		4	
19		MAO11532000		CORD STAPLE				*		3	
20	R	B33097040A0	26910059	THREAD GUIDE ARM ASM.	FOR TYPE,- DESTINATION					1	1.00

TABLE OF EXCHANGING GAUGE PARTS (1)

<FOR LH-3120> <LH-3120用>														★ Standard spec.		標準仕様	
Needle gauge size 針 幅		Throat plate 針 板				Feed Dog 送 り 歯				Presser Foot asm. 押 さ え(組)		Needle clamp asm. 針 留(組)					
Code コード																	
	inch	mm	Ref.No.	Part No.	Ref.No.	Part No.	Ref.No.	Part No.	Ref.No.	Part No.	Ref.No.	Part No.	Ref.No.	Part No.			
A	3/32	2.4															
B	1/8	3.2	1	228-45200			8	228-47206			15	103-91852	22	101-47650			
C	5/32	4.0															
D	3/16	4.8	2	228-45408			9	228-47404			16	103-92058	23	101-47858			
E	7/32	5.6															
F	1/4	6.4	3	228-45606			10	228-47602			17	103-92256	24	101-48054			
G	9/32	7.1															
H	5/16	7.9															
K	3/8	9.5															
W	7/16	11.1															
L	1/2	12.7			4	228-46109			11	228-48105	18	103-92751	25	101-48559			
M	5/8	15.9															
N	3/4	19.1			5	228-46307			12	228-48303	19	103-93056	26	101-48757			
P	7/8	22.2			6	228-46406			13	228-48402	20	228-44450	27	101-48856			
Q	1	25.4			7	228-46505			14	228-48501	21	228-44559	28	101-48955			
R	1 1/8	28.6															
S	1 1/4	31.8															
T	1 3/8	34.9															
U	1 1/2	38.1															
Stitch spec. 縫仕様	A	★		★		★		★		Spec.common 仕様共通		Spec.common 仕様共通					
	F	★		★		★		★		Spec.common 仕様共通		Spec.common 仕様共通					

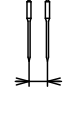
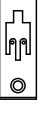
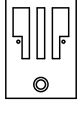

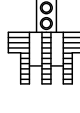
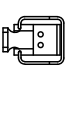
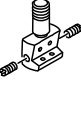


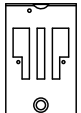

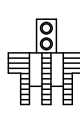
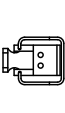
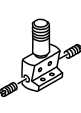
<FOR LH-3120-7> <LH-3120-7用>														★ Standard spec.		標準仕様	
Needle gauge size 針 幅		Throat plate 針 板				Feed Dog 送 り 歯				Presser Foot asm. 押 さ え(組)		Needle clamp asm. 針 留(組)					
Code コード																	
	inch	mm	Ref.No.	Part No.	Ref.No.	Part No.	Ref.No.	Part No.	Ref.No.	Part No.	Ref.No.	Part No.	Ref.No.	Part No.			
A	3/32	2.4															
B	1/8	3.2	29	228-53204			36	228-55209			43	103-91852	50	101-47650			
C	5/32	4.0															
D	3/16	4.8	30	228-53402			37	228-55407			44	103-92058	51	101-47858			
E	7/32	5.6															
F	1/4	6.4	31	228-53600			38	228-55605			45	103-92256	52	101-48054			
G	9/32	7.1															
H	5/16	7.9															
K	3/8	9.5															
W	7/16	11.1															
L	1/2	12.7			32	228-54103			39	228-56108	46	103-92751	53	101-48559			
M	5/8	15.9															
N	3/4	19.1			33	228-54301			40	228-56306	47	103-93056	54	101-48757			
P	7/8	22.2			34	228-54400			41	228-56405	48	228-44450	55	101-48856			
Q	1	25.4			35	228-54509			42	228-56504	49	228-44559	56	101-48955			
R	1 1/8	28.6															
S	1 1/4	31.8															
T	1 3/8	34.9															
U	1 1/2	38.1															
Stitch spec. 縫仕様	A	★		★		★		★		★		★					

TABLE OF EXCHANGING GAUGE PARTS (1)

No.	Supply Code	Parts No.	Replacement	Parts name	Remarks	Choice	Step	Level	Cons	Qty	Rep. QTY
1		22845200		THROAT PLATE, (1/8).						1	
2		22845408		THROATPLATE,3/16.						1	
3		22845606		THROAT PLATE, (1/4).						1	
4	D	22846109		THROAT PLATE, (1/2).						1	
5	D	22846307		THROAT PLATE, (3/4).						1	
6		22846406		THROAT PLATE, (7/8).						1	
7		22846505		THROAT PLATE,(1)						1	
8		22847206		FEED DOG, (1/8)						1	
9	D	22847404		FEED DOG, 3/16.						1	
10		22847602		FEED DOG, (1/4).						1	
11	D	22848105		FEED DOG, (1/2).						1	
12		22848303		FEED DOG, (3/4).						1	
13	D	22848402		FEED DOG, (7/8).						1	
14		22848501		FEED DOG, (1).						1	
15		10391852		PRESSER FOOT ASM. 1/8						1	
16		10392058		PRESSER FOOT ASM. 3/16						1	
17		10392256		PRESSER FOOT ASM. 1/4						1	
18		10392751		PRESSER FOOT ASM. 1/2						1	
19		10393056		PRESSER FOOT ASM. 3/4						1	
20		22844450		COMPENSATING P- RESSER ASM.(7/8)						1	
21		22844559		BOBBIN CASE ASM, HEAVY FABLIC.						1	
22		10147650		NEEDLE CLAMP ASM. 1/8						1	
23		10147858		NEEDLE CLAMP ASM. 3/16						1	
24		10148054		NEEDLE CLAMP ASM. 1/4						1	
25		10148559		NEEDLE CLAMP ASM. 1/2						1	
26		10148757		NEEDLE CLAMP ASM. 3/4						1	
27		10148856		NEEDLE CLAMP ASM. 7/8						1	
28		10148955		NEEDLE CLAMP ASM. 1						1	
29		22853204		THROA PLATE, 1/8						1	
30		22853402		THROA PLATE, 3/16						1	
31		22853600		THROAT PLATE, 1/4.						1	
32	D	22854103		THROAT PLATE, 1/2						1	
33		22854301		THROA PLATE, 3/4						1	
34		22854400		THROA PLATE, 7/8						1	
35		22854509		THROA PLATE, 1						1	
36		22855209		THREAD CUTTING FEED DOG, 1/8						1	
37	D	22855407		THREAD CUTTING FEED DOG, 3/16						1	
38	D	22855605		THREAD CUTTING FEED DOG, 1/4						1	
39	D	22856108		THREAD CUTTING FEED DOG, 1/2						1	
40	D	22856306		THREAD CUTTING FEED DOG, 3/4						1	
41	D	22856405		THREAD TRIMMER FEED DOG,7/8						1	
42		22856504		THREAD CUTTING FEED DOG, 1						1	
43		10391852		PRESSER FOOT ASM. 1/8						1	
44		10392058		PRESSER FOOT ASM. 3/16						1	
45		10392256		PRESSER FOOT ASM. 1/4						1	

TABLE OF EXCHANGING GAUGE PARTS (1)

<FOR LH-3120> <LH-3120用>														★ Standard spec.		標準仕様	
Needle gauge size 針 幅		Throat plate 針 板				Feed Dog 送 り 歯				Presser Foot asm. 押 さ え(組)		Needle clamp asm. 針 留(組)					
Code コード																	
	inch	mm	Ref.No.	Part No.	Ref.No.	Part No.	Ref.No.	Part No.	Ref.No.	Part No.	Ref.No.	Part No.	Ref.No.	Part No.			
A	3/32	2.4															
B	1/8	3.2	1	228-45200			8	228-47206			15	103-91852	22	101-47650			
C	5/32	4.0															
D	3/16	4.8	2	228-45408			9	228-47404			16	103-92058	23	101-47858			
E	7/32	5.6															
F	1/4	6.4	3	228-45606			10	228-47602			17	103-92256	24	101-48054			
G	9/32	7.1															
H	5/16	7.9															
K	3/8	9.5															
W	7/16	11.1															
L	1/2	12.7			4	228-46109			11	228-48105	18	103-92751	25	101-48559			
M	5/8	15.9															
N	3/4	19.1			5	228-46307			12	228-48303	19	103-93056	26	101-48757			
P	7/8	22.2			6	228-46406			13	228-48402	20	228-44450	27	101-48856			
Q	1	25.4			7	228-46505			14	228-48501	21	228-44559	28	101-48955			
R	1 1/8	28.6															
S	1 1/4	31.8															
T	1 3/8	34.9															
U	1 1/2	38.1															
Stitch spec. 縫仕様	A		★		★		★		★		Spec.common 仕様共通		Spec.common 仕様共通				
	F		★		★		★		★		Spec.common 仕様共通		Spec.common 仕様共通				

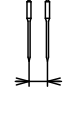
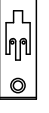
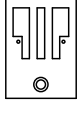

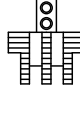
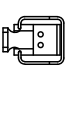
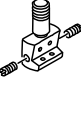
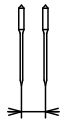



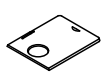
<FOR LH-3120-7> <LH-3120-7用>														★ Standard spec.		標準仕様	
Needle gauge size 針 幅		Throat plate 針 板				Feed Dog 送 り 歯				Presser Foot asm. 押 さ え(組)		Needle clamp asm. 針 留(組)					
Code コード																	
	inch	mm	Ref.No.	Part No.	Ref.No.	Part No.	Ref.No.	Part No.	Ref.No.	Part No.	Ref.No.	Part No.	Ref.No.	Part No.			
A	3/32	2.4															
B	1/8	3.2	29	228-53204			36	228-55209			43	103-91852	50	101-47650			
C	5/32	4.0															
D	3/16	4.8	30	228-53402			37	228-55407			44	103-92058	51	101-47858			
E	7/32	5.6															
F	1/4	6.4	31	228-53600			38	228-55605			45	103-92256	52	101-48054			
G	9/32	7.1															
H	5/16	7.9															
K	3/8	9.5															
W	7/16	11.1															
L	1/2	12.7			32	228-54103			39	228-56108	46	103-92751	53	101-48559			
M	5/8	15.9															
N	3/4	19.1			33	228-54301			40	228-56306	47	103-93056	54	101-48757			
P	7/8	22.2			34	228-54400			41	228-56405	48	228-44450	55	101-48856			
Q	1	25.4			35	228-54509			42	228-56504	49	228-44559	56	101-48955			
R	1 1/8	28.6															
S	1 1/4	31.8															
T	1 3/8	34.9															
U	1 1/2	38.1															
Stitch spec. 縫仕様	A		★		★		★		★		★		★				

TABLE OF EXCHANGING GAUGE PARTS (1)


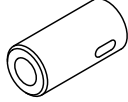
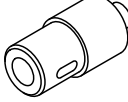
No.	Supply Code	Parts No.	Replacement	Parts name	Remarks	Choice	Step	Level	Cons	Qty	Rep. QTY
46		10392751		PRESSER FOOT ASM. 1/2						1	
47		10393056		PRESSER FOOT ASM. 3/4						1	
48		22844450		COMPENSATING P- RESSER ASM.(7/8)						1	
49		22844559		BOBBIN CASE ASM, HEAVY FABLIC.						1	
50		10147650		NEEDLE CLAMP ASM. 1/8						1	
51		10147858		NEEDLE CLAMP ASM. 3/16						1	
52		10148054		NEEDLE CLAMP ASM. 1/4						1	
53		10148559		NEEDLE CLAMP ASM. 1/2						1	
54		10148757		NEEDLE CLAMP ASM. 3/4						1	
55		10148856		NEEDLE CLAMP ASM. 7/8						1	
56		10148955		NEEDLE CLAMP ASM. 1						1	

TABLE OF EXCHANGING GAUGE PARTS (2)

<Bed Slide (Left),(Right)> <滑り板(左),(右)>

Needle gauge size 針 幅		Bed Slide asm. (with Tread Trimmer) 滑り板(組) (糸切り付)				Bed Slide asm. (without Tread Trimmer・ Stitch spec.F) 滑り板 (組) (糸切り無・F仕様)				
Code コード			Bed Slide asm. (Left) 糸切り滑り板(左)組 		Bed Slide asm. (Right) 糸切り滑り板(右)組 		Bed Slide asm. (Left) 滑り板(左)組 		Bed Slide asm. (Right) 滑り板(右)組 	
	inch	mm	Ref.No.	Part No.	Ref.No.	Part No.	Ref.No.	Part No.	Ref.No.	Part No.
A S W	$\frac{3}{32}$ S $\frac{7}{16}$	2.4 S 11.4	1	226-50857	4	226-50352	7	226-01058	10	226-00555
L S N	$\frac{1}{2}$ S $\frac{3}{4}$	12.7 S 19.1	2	226-50956	5	226-50451	8	226-01157	11	226-00654
P S Q	$\frac{7}{8}$ S $1\frac{1}{8}$	22.2 S 28.6	3	226-51503	6	226-50550	9	226-01256	12	226-00753

<Hook Driving Shaft> <下軸メタル>

Needle gauge size 針 幅		Front Metal 前メタル		Inner Metal 中メタル		
Code コード						
	inch	mm	Ref.No.	Part No.	Ref.No.	Part No.
A S P	$\frac{3}{32}$ S $\frac{7}{8}$	2.4 S 22.2	13	B1802-512-0A0-A	15	B1803-515-0A0
Q S U	1 S $1\frac{1}{2}$	25.4 S 38.1	14	B1802-512-0AB	16	101-12357

<Wiper> <ワイパー>


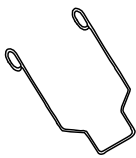
Needle gauge size 針 幅		Wiper ワイパー				
Code コード						
	inch	mm	Ref.No.	Part No.		
A S K	$\frac{3}{32}$ S $\frac{3}{8}$	2.4 S 9.5	17	102-09203		
W S M	$\frac{7}{16}$ S $\frac{5}{8}$	11.1 S 15.9	18	102-09500		
N S P	$\frac{3}{4}$ S $\frac{7}{8}$	19.1 S 22.2	19	102-09807		
Q S S	1 S $1\frac{1}{4}$	25.4 S 31.8	20	102-09906		

TABLE OF EXCHANGING GAUGE PARTS (2)

No.	Supply Code	Parts No.	Replacement	Parts name	Remarks	Choice	Step	Level	Cons	Qty	Rep. QTY
1		22650857		BED SLIDE LEFT, ASM., A						1	
2		22650956		LEFT SLIDER PLATE B ASM.						1	
3		22651503		BED SLIDE LEFT, ASM., C						1	
4		22650352		BED SLIDE RIGHT, ASM., A						1	
5		22650451		RIGHT SLIDER PLATE B ASM.						1	
6		22650550		BED SLIDE RIGHT, ASM., C						1	
7		22601058		BED SLIDE LEFT, ASM., A						1	
8		22601157		LEFT SLIDER PLATE B ASM.						1	
9		22601256		BED SLIDE LEFT, ASM., C						1	
10		22600555		BED SLIDE RIGHT, ASM., A						1	
11		22600654		RIGHT SLIDER PLATE B ASM.						1	
12		22600753		BED SLIDE RIGHT, ASM., C						1	
13		B18025120A0A		BUSHING ASM., FRONT						1	
14		B18025120AB		BUSHING ASM., FRONT						1	
15		B18035150A0		BUSHING ASM., INTERMEDIATE						1	
16		10112357		BUSHING ASM. INTERMEDIATE						1	
17		10209203		WIPER 3/32"-3/8						1	
18		10209500		WIPER						1	
19		10209807		WIPER						1	
20		10209906		WIPER						1	

HOW TO MAKE USE OF THIS PARTS LIST

1.Explanation of codes

1)"*"mark.....means this part is changed from the previous parts book.

As to the details of the change, refer to the "List for information of change".

2)"#01".....refer to "Note" explanation at bottom of page.

2.Codes on the "Qty" column

• Each numeral indicates the number of parts required.

• "0.1" and "2.5" indicate the length (in meters) of the respective parts.

3.Parentheses mean that the corresponding part is a subpart that constructs an assembly part.

4.Dotted lines on the Figures indicate assembly parts.

1."注記"欄の記号説明

1) "*"印.....前回のパーツブックに比較して今回変更された部品を意味します。

変更内容は、"変更情報リスト"を参照してください。

2) "#01".....ページ下の"注記"の説明を参照してください。

2.数量欄の数字は、個数を表し、0.1、2.5等の数値は、長さ（単位メートル）を表します。

3.数量欄の（ ）は、組部品を構成している子部品であることを意味します。

4.イラストページの-----枠は、組構成であることを意味します。

NUMERICAL INDEX OF PARTS

PART NO	PAGE	REF NO.	PART NO	PAGE	REF NO.	PART NO	PAGE	REF NO.
10004109	2	36	10148856	46	55	11009909	16	18
10101004	2	3	10148955	44	56	11018108	20	20
10104800	8	54	10148955	46	56	11018207	20	19
10106102	18	50	10161305	28	17	11024015	38	7
10107902	16	39	10162204	38	2	11024106	38	8
10107902	18	39	10162253	38	1	11024205	38	11
10108009	16	13	10162600	38	3	11024304	38	23
10108512	12	2	10162758	42	1	11032562	6	28
10108611	12	12-13	10208551	30	29	11045101	10	12
10109908	12	36	10208700	30	32	11047107	38	4
10110500	12	25	10209203	30	35	11052701	16	20
10110609	12	26	10209203	48	17	11071602	20	36
10111201	14	47	10209500	30	36	11071701	20	37
10111508	14	81	10209500	48	18	11071800	20	1
10112001	12	7	10209807	30	37	11072006	16	22
10112357	48	16	10209807	48	19	11072402	10	14
10112407	12	37	10209906	30	38	11072501	28	2
10112803	12	29	10209906	48	20	11072709	30	2
10112902	12	31	10210805	14	80	11076809	36	3
10116051	24	3	10211407	24	6	11076858	36	2
10116606	24	23	10211605	24	2	11076957	36	4
10116705	24	40	10216703	32	4	11077567	36	12
10116754	24	37	10315208	18	62	11078003	36	21
10116804	24	15	10315455	18	63	11078102	36	34
10116903	24	35	10315505	18	56	11078250	36	13
10117109	24	24	10391852	44	43	11100500	28	37
10117208	24	18	10392058	44	44	11102100	28	5
10117851	26	55	10392256	22	44	11102209	28	6
10119105	28	18	10392256	44	45	11102308	28	11
10119204	28	19	10392751	44	46	11110301	30	13
10124204	10	10	10392751	46	46	11110400	30	11
10124303	10	15	10393056	44	47	11110509	30	12
10125201	20	16	10393056	46	47	11110707	30	8
10147650	44	50	10602902	2	2	11111705	30	14
10147650	46	50	10604809	6	29	11111804	30	21
10147858	44	51	10611457	12	19	11183605	40	14
10147858	46	51	10623403	32	34	11183704	40	6
10148054	8	62	10697506	10	36	11183902	40	13
10148054	44	52	10697605	10	3	11184009	40	10
10148054	46	52	10741106	10	11	11184108	40	5
10148559	44	53	11006202	20	7	11185006	42	7
10148559	46	53	11006350	20	6	11185105	42	2
10148757	44	54	11006509	20	11	11185204	42	3
10148757	46	54	11007101	20	13	11185352	42	4
10148856	44	55	11007309	20	8	11185402	42	6

NUMERICAL INDEX OF PARTS

PART NO	PAGE	REF NO.	PART NO	PAGE	REF NO.	PART NO	PAGE	REF NO.
11185501	42	10	22609408	18	45	22617708	10	24
11394509	20	24	22609606	18	57	22617807	10	23
11956802	10	22	22609705	16	38	22617906	10	17
11957602	40	15	22609754	16	37	22618052	10	9
13515606	28	40	22609804	12	9	22618102	10	6
13765607	32	44	22610000	16	6	22618201	10	4
22600555	4	44-45	22610109	16	2	22618300	10	5
22600555	48	10	22610208	16	4	22618458	10	1-2
22600654	48	11	22610307	16	8	22618656	10	1-2
22600753	48	12	22610406	16	24	22618706	10	13
22601058	4	42-43	22610505	16	16	22618805	10	31
22601058	48	7	22610604	16	9-10	22618904	10	27
22601157	48	8	22610901	16	21	22619001	32	28
22601256	48	9	22611602	12	16	22619100	2	11-54
22602007	2	17-60	22611651	12	15	22619209	32	11
22602254	2	20	22611701	12	12-13	22619415	32	18
22602601	4	48	22611909	14	70	22619605	32	27
22603013	2	25	22612006	12	23	22619704	34	63-64
22603112	2	27	22612055	12	22	22619803	32	25
22603203	2	29	22612105	12	27	22619902	32	23
22603401	36	1	22612204	12	28	22620108	32	9
22603609	4	51	22612303	12	30	22620355	32	6
22603708	4	52	22612402	12	24	22620454	32	7
22603906	6	30	22612501	12	32	22620504	32	14
22604003	6	41	22612659	14	48	22620702	32	8
22604300	6	43	22612758	14	77	22620801	20	32
22604409	6	37	22613004	14	52	22620801	32	21
22604508	6	17	22613103	14	50	22620900	2	14
22604607	6	33	22613400	14	67	22621056	36	28
22604656	6	32	22613509	12	35	22621106	36	36
22604904	6	42	22613608	14	72	22621155	36	27
22605307	6	2	22613905	14	49	22622005	38	24
22605356	6	1	22614101	14	46	22622104	38	15
22605406	6	7	22615009	14	57	22622351	6	31
22606008	8	60	22615108	14	56	22622401	6	15
22607303	8	52	22615207	14	60	22623102	12	1
22607402	8	53	22615306	14	59	22623201	6	44
22608004	20	41	22615454	14	55	22650055	4	46-47
22608103	20	10	22615702	14	61	22650352	4	44-45
22608152	20	5	22615801	14	63	22650352	48	4
22608400	22	39-46	22615959	14	64	22650451	48	5
22609002	16	27-28	22616254	14	65	22650550	48	6
22609101	16	31	22617005	20	34	22650857	4	42-43
22609200	16	26	22617104	20	23	22650857	48	1
22609309	18	58	22617609	10	30	22650956	48	2

NUMERICAL INDEX OF PARTS

PART NO	PAGE	REF NO.	PART NO	PAGE	REF NO.	PART NO	PAGE	REF NO.
22651202	4	61	22657308	30	9	22907703	20	38
22651459	4	53	22657803	4	11·54	22908552	20	4
22651503	48	3	22811806	8	64	22908800	20	15
22651509	6	21	22818009	4	17·60	22912109	16	19
22651558	6	20	22840409	2	33	22920706	2	23
22651566	6	19	22840508	2	32	22932453	38	10
22651608	6	45	22840557	2	31	22934202	38	20
22651905	8	61	22844450	44	48	22934251	38	16
22652002	16	27·28	22844450	46	48	22934301	38	21
22652101	16	9·10	22844559	44	49	22934400	38	19
22653059	14	79	22844559	46	49	22934509	38	17
22653158	14	78	22845200	44	1	22934608	38	18
22653505	14	53	22845408	44	2	22951552	2	8
22653604	14	51	22845606	2	40·41	23203706	6	5
22653802	14	76	22845606	44	3	23203805	6	6
22654008	26	61	22846109	44	4	23204258	8	47
22654107	24	31	22846307	44	5	23204308	6	10
22654206	24	5	22846406	44	6	23204506	8	57~59
22654255	24	4	22846505	44	7	23204605	8	57~59
22654305	26	53	22847206	44	8	23204704	8	57~59
22654404	24	44	22847404	44	9	23204803	2	18
22654503	26	48	22847602	16	35·36	23630007	32	61
22654552	26	47	22847602	44	10	23630007	34	61
22654602	26	49	22848105	44	11	B1104051000	4	59
22654701	24	26	22848303	44	12	B1202512000	6	14
22654800	24	14	22848402	44	13	B12105260A0	6	11
22654909	20	25	22848501	44	14	B1214038000	34	52
22654958	20	22	22853204	44	29	B1414512000	34	60
22655005	26	60	22853402	44	30	B1438512B00	8	51
22655104	24	22	22853600	4	40·41	B1501581000	20	40
22655153	24	20	22853600	44	31	B1505227T00A	20	39·46
22655302	24	11	22854103	44	32	B1506352000	28	39
22655401	24	10	22854301	44	33	B1515051000	26	46
22656003	28	41	22854400	44	34	B1521555000	20	2
22656102	28	33	22854509	44	35	B1603512000	18	48
22656201	28	32	22855209	44	36	B1604012000A	18	43
22656300	28	28	22855407	44	37	B1610512000	16	33
22656409	28	27	22855605	16	35·36	B1633470000	18	65
22656508	28	4	22855605	44	38	B1636581B00	16	32
22656557	28	1	22856108	44	39	B1653470000	18	53
22656607	28	12	22856306	44	40	B18025120A0A	12	3
22657050	30	28	22856405	44	41	B18025120A0A	48	13
22657100	30	18	22856504	44	42	B18025120AB	48	14
22657159	30	1	22904155	18	52	B18035150A0	12	11
22657209	30	6	22907109	22	43	B18035150A0	48	15

NUMERICAL INDEX OF PARTS

PART NO	PAGE	REF NO.	PART NO	PAGE	REF NO.	PART NO	PAGE	REF NO.
B1816512000	12	5	B9117051000	12	21	MC200520650	8	48~50
B1820563000	12	39	BT0500300EA	18	54	MDP500B0900	8	48~50
B1821051000	12	41	CM300200101	4	65·66	MDP500B1100	8	48~50
B1822051000	12	42	CM3002001A1	4	65·66	NM6050001SE	40	21
B1823051000	12	45	CQ202000000	6	3	NM6050001SE	42	18
B1834512000A	32	36	CQ202000000	12	44	NM6050001SP	24	43
B1850512000	32	31	CQ252000000	6	8	NM6060001SE	38	12
B1851512000	32	30	CQ252000000	18	66	NS6080210SP	18	46
B2024771000	30	7	CQ505000000	6	12	NS6090310SP	30	26
B3041980000	26	59	CS0300711SP	30	22	NS6090310SP	32	33
B3112704000	10	21	CS070081BSH	24	33	NS6110310SN	32	5
B3121352000	10	20	CS102121ASH	16	11	NS6110310SP	10	8
B3125012000	36	32	CS1470710SH	24	29	NS6110310SP	30	10
B3126012000	10	16	CS1471012SH	14	74	NS6110310SP	32	37
B3126012000	36	30	CS170101ASZ	8	56	NS6110420SP	12	43
B3129012B00	36	31	D2112555B00	2	56	NS6110420SP	32	16
B31375270A0	10	32	D2112555B00	4	56	NS6120310SP	32	13
B3138527000	10	29	D2427555B00B	24	42	NS6620310SP	20	27
B3139527000	10	33	D2428555B00A	24	41	NS6680320SP	18	59
B3141527000	10	25	D2430555B00	24	39	NS6700420SP	32	20
B3142527000	10	34	D2464555B00	28	22	PS0300201KP	24	25
B3143527000	10	35	D3129555D00	10	19	PS0600502KP	20	35
B3211555000	36	35	D3159555B00	20	26	RE0320000K0	30	31
B3305704000A	40	7	D3163555B00A	20	30	RE0400000K0	28	23
B3305704000A	42	5	D3164555B00	20	28	RE0500000K0	16	3
B33097040A0	40	24	D3171415B0H	14	62	RE0500000K0	20	18
B33097040A0	42	20	D3301772TAB	40	1	RE0500711KP	18	42
B3311012000	40	12	D3310555D00	40	22	RE0900000K0	16	14
B3311012000	42	9	EA9500B0100	26	65	RE1000000K0	38	9
B3311704000	42	12	EA9500B0100	34	58	RO037180100	20	3
B3317704000	40	16	HA000590000	30	15	RO092270200	16	17
B3317704000	42	11	HA001900000	28	10	RO098240100	38	6
B3318704L00A	40	4	HK034610140	26	57	RO195240100	32	2
B3319704L00	40	2	HK03464000B	26	56	RO437200200	6	35
B3320704L00A	40	11	HK03464000B	28	13	SB120000100	6	34
B3320704L00A	42	8	HK03464000B	30	24	SB120000200	12	17
B3417051000	26	62	HW200390000	30	16	SD0470281SP	10	7
B3418180000	24	17	HW500070000	28	9	SD0490261SP	36	37
B3517009000	32	17	HW500070000	30	17	SD0500301SP	30	27
B3524552000	34	53	M4002110000	6	22	SD0600271SP	24	19
B3530555000	32	1	M40071100AA	6	23	SD0600322SD	20	17
B3534012000	34	59	M40071100AB	6	24	SD0640321SP	28	34
B3534155000	34	51	M6046350AAA	4	63	SD0650305TP	26	52
B3538112000	34	56	MAO11532000	40	19	SD0650321TP	30	5
B8233555000	36	11	MAO11532000	42	19	SD0720332SP	20	14

NUMERICAL INDEX OF PARTS

PART NO	PAGE	REF NO.	PART NO	PAGE	REF NO.	PART NO	PAGE	REF NO.
SD0800422CP	16	5	SS4120615SP	2	57	SS7110910SP	18	55
SD0900701TP	18	61	SS4120615SP	4	57	SS7111310TP	18	49
SK3412000SC	36	5	SS4120615SP	10	38	SS7111810SP	14	54
SK3482500SC	36	41	SS4120615SP	28	35	SS7120760SP	6	46
SM0081001SD	38	5	SS4120615SP	30	25	SS7120760SP	12	20
SM4030601SN	30	20	SS4121015SP	2	21	SS7120760SP	28	36
SM4031501SC	28	8	SS4150915SP	2	16	SS7120910SP	16	15
SM4040655SP	28	3	SS4153015SP	28	29	SS7121410SP	16	7
SM4041655SP	28	7	SS5090610SP	4	62	SS7151210SP	28	24
SM4051405SE	40	9	SS5090610SP	24	9	SS7151610SP	24	16
SM4051405SE	42	16	SS6080320SP	30	23	SS7681750TP	6	39
SM6061610SC	40	3	SS6081810SP	18	47	SS8080610SP	24	7
SM6082502TP	14	69	SS6090630SP	2	38	SS8080660TP	8	63
SM8050502TP	18	44	SS6090670TP	16	1	SS8110410TP	24	30
SM8063012TR	38	13	SS6090810SP	12	33	SS8110510SP	24	34
SM9061203SE	38	22	SS6111140SP	2	58	SS8111010TP	24	21
SM9061853SR	38	14	SS6111140SP	4	58	SS8120740SP	2	24
SQ1110401MZ	32	63-64	SS6111210SP	6	26	SS8151150SP	12	14
SQ1110401MZ	34	63-64	SS6111610SP	32	35	SS8151150SP	18	51
SQ1150451MZ	32	39	SS6120940SP	26	63	SS8151150TP	6	9
SS2080810SP	24	1	SS6121212TP	24	13	SS8151550SP	6	25
SS2090710TP	2	37	SS6121610SP	32	12	SS8660530TP	6	36
SS2110920TP	2	39	SS6121610SP	36	8	SS8660530TP	12	75
SS2110920TP	24	27	SS6121610TP	18	60	SS8660530TP	14	75
SS2110930SP	24	28	SS6121610TP	24	54	SS8660610TP	16	12
SS2110930SP	32	29	SS6121610TP	26	54	SS8660810TP	12	6
SS3090520SP	30	33	SS6121840SP	28	38	SS8660810TP	22	42
SS3090610SP	2	19	SS6121860SP	16	23	SS8660810TP	24	32
SS4110515SP	14	66	SS6151040SP	26	58	SS8661030SP	12	18
SS4110515SP	22	47	SS6151220SP	24	38	SS8680540SP	6	13
SS4110515SP	36	33	SS6153040SP	12	38	SS8680810TP	6	40
SS4110615SP	10	37	SS6580752TP	16	34	SS8681650TP	6	38
SS4110615SP	32	24	SS6661110SP	6	16	SS8701782TP	32	19
SS4110715SP	20	29	SS6661110SP	16	29	SS9080410SP	24	8
SS4110715SP	32	26	SS7081310SP	36	38	SS9110543CP	2	35
SS4110815SP	2	4	SS7090510SP	10	28	SS9111010SP	2	34
SS4110815SP	14	58	SS7090710SP	24	12	SS9111010SP	26	50
SS4110815SP	16	25	SS7090910SP	8	55	SS9111010SP	28	21
SS4110815SP	34	57	SS7090910SP	32	32	SS9111010SP	30	30
SS4111015SP	4	64	SS7090910TP	22	45	SS9151440CP	18	40
SS4111015SP	20	33	SS7110510SP	18	64	TA0500601M0	14	82
SS4111215SP	20	31	SS7110710SP	14	73	TA0750404R0	2	12
SS4111215SP	32	15	SS7110710SP	16	30	TA0750704R0	2	15
SS4111215SP	36	7	SS7110710SP	28	15	TA1250406R0	2	55
SS4111815SP	32	3	SS7110840SP	36	29	TA1250406R0	4	55

NUMERICAL INDEX OF PARTS

PART NO	PAGE	REF NO.
WP0320501SC	30	4
WP0371016SD	12	34
WP0371016SD	30	34
WP0450801SD	6	27
WP0480856SP	36	39
WP0501016SC	36	40
WP0501016SD	10	18
WP0501016SD	26	64
WP0501016SD	28	20
WP0501016SD	36	10
WP0612056SD	28	31
WP0621016SD	18	41
WP0621016SD	28	26
WP0753016SZ	24	36
WP0850002SP	14	68
WP1612616SE	42	13
WP1702600S0	40	17
WS0310002KN	30	19
WS0451040KP	36	9
WS0510002KN	40	20
WS0610002KP	28	30
WS0631510KP	28	25
WS1643202KR	40	18
WT0530002KS	2	10