

BATTERY CABLES

Battery cable is needed with a separate battery cabinet

Product code	Length of the battery cable (m)	For	For
XJ995	1,5	6,5 Ah batteries	TKT31, TKT41 and TK23 Central Battery Systems
XJ996	1,5	≥15 Ah batteries	TKT31, TKT41 and TK23 Central Battery Systems
XJ997B	1,5	6,5 Ah batteries	TKT65 and TKT66 Central Battery Systems
XJ997	1,5	≥15 Ah batteries	TKT65 and TKT66 Central Battery Systems
XJ997C	2,5	For two battery cabinets	TKT65 and TKT66 Central Battery Systems
XJ997E	3,5	For three TKT6500 battery cabinets	TKT65 and TKT66 Central Battery Systems
XJ997F	-	≥15 Ah batteries	TKT68 Central Battery Systems
XJ997G	-	6,5 Ah batteries	TKT68 Central Battery Systems

Please note a peeling reserve in the length of the battery cable

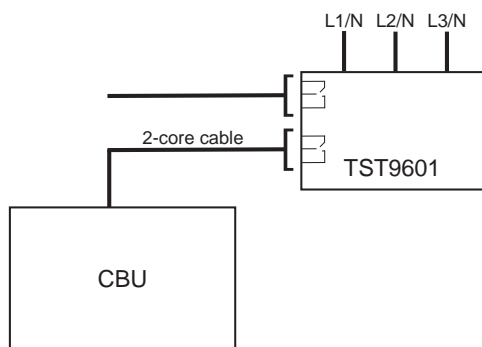
PHASE CONTROLLER MODULES

Phase Controller Modules makes it possible to control 1-4 phases of local fuse boxes. There are 2 pieces of potential-free contact relays, which will be activated, when one or more controlled phases drop out or is missing. Relay outputs can be connected in NO or NC and it is possible to control other devices with them.



Product code	Input voltage	Feature	Dimensions (mm)
TST9601	220-240 V, 50/60 Hz AC,DC	3-phase controller	117 x 84 x 43
TST9601B	220-240 V, 50/60 Hz AC,DC	4-phase controller	105 x 90 x 58

TST9601



TST9601B

