

MODEL : Z175  
List No : 1049-00

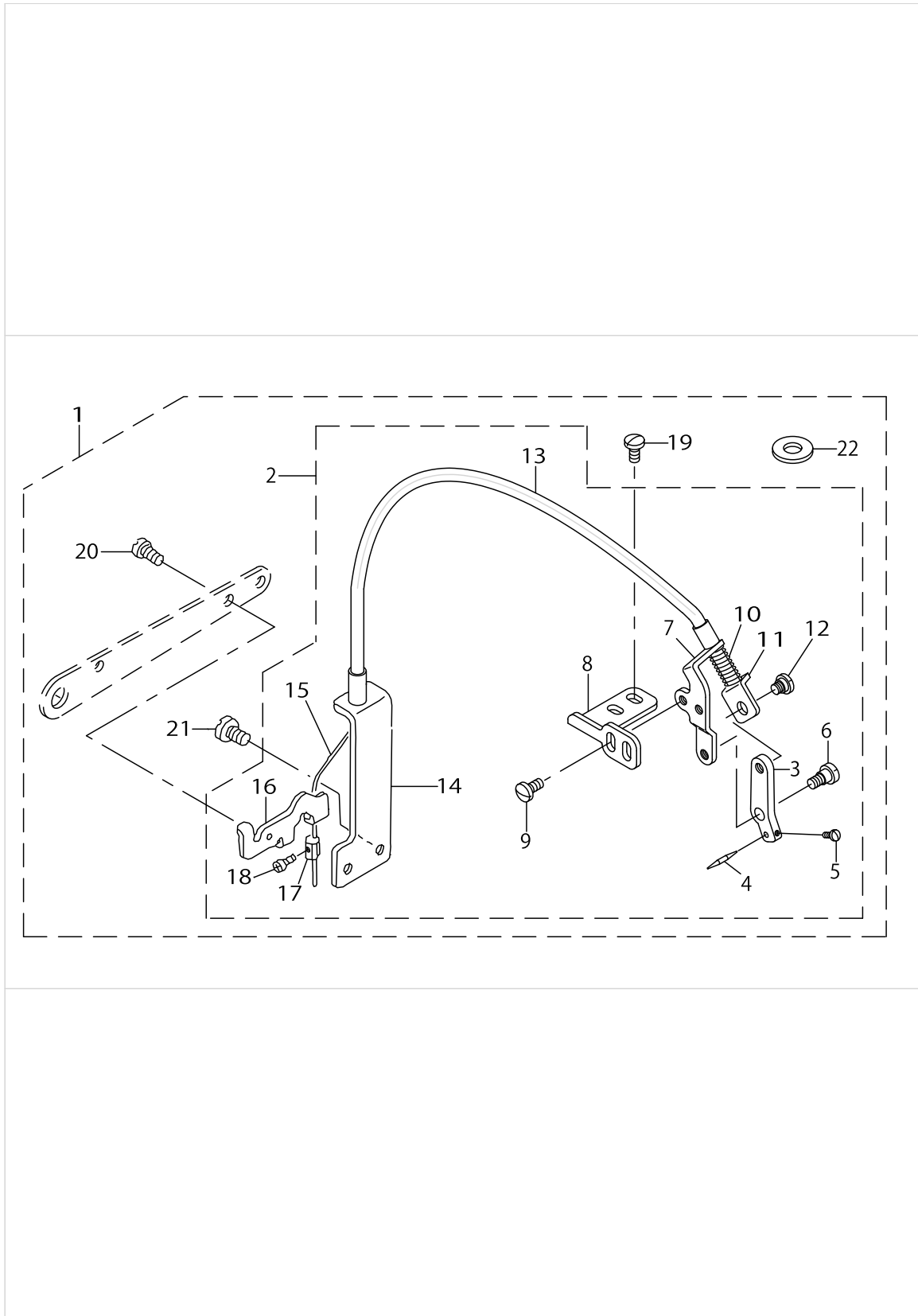
# PARTS LIST

Published:05/12/2017

## CONTENTS

---

Z175.....	1
HOW TO MAKE USE OF THIS PARTS LIST .....	3



Z175

No.	Supply Code	Parts No.	Replacement	Parts name	Remarks	Choice	Step	Level	Cons	Qty	Rep. QTY
1		MAZ175000A0		Z175 ASM.						1	
2		MAZ175010A0		WIRE ASM.				*		1	
3		MAZ17501000		TENSION RELEASE ARM				*		1	
4	D	MAZ12506000		TENSION RELEASE PIN				*		1	
5		SS7060610SP		SCREW 3/32-56 L=5.5				*		1	
6		SD0600401TP		HINGE SCREW D= 6 H= 4				*		1	
7		MAZ175020A0		TENSION RELE. SUPPORT ARM ASM.				*		1	
8		MAZ17503000		TENSION RELEASE BASE				*		1	
9		SS7110710SL		SCREW 11/64-40 L=7.0				*		2	
10		B3355027000		SPRING				*		1	
11	R	GPF01008000	GPF010010A0A	WIRE SUPPORTER				*		1	1.00
12		SD0640211SP		HINGE SCREW D= 6.35 H= 2.1				*		1	
13		MAZ17505000		WIRE TUBE				*		1	
14		MAS05718000		WIRE SUPPORTER ARM				*		1	
15		MAZ175040A0		WIRE FITTINGS ARM				*		1	
16	D	MAS05719000		LIFTING LEVER CONNECTOR				*		1	
17		MAS05720000		WIRE STOPPER				*		1	
18		SS9090640SP		SCREW 9/64-40 L=6				*		1	
19		SS7110710SP		SCREW 11/64-40 L=7				*		2	
20		SS7110710SP		SCREW 11/64-40 L=7				*		1	
21		SS6151040SP		SCREW 15/64-28 L=10				*		2	
22		WP0482086SD		WASHER 4.8X11.5X2				*		2	

## HOW TO MAKE USE OF THIS PARTS LIST

1.As to "#01" and "#02" refer to the "Note" given at the bottom of the respective pages.

2.Codes on the "Qty" column

- Each numeral indicates the number of parts required.
- "0.1" and "2.5" indicate the length (in meters) of the respective parts.

3.Parentheses mean that the corresponding part is a subpart that constructs an assembly part.

4.Dotted lines on the Figures indicate assembly parts.

1. リストページの# 0 1、# 0 2の印は、ページ下の"注記"の説明を参照下さい。
2. 数量欄の数字は、個数を表し、0. 1、2. 5等の数値は、長さ（単位メートル）を表します。
3. 数量欄の（ ）は、組部品を構成している子部品であることを意味します。
4. イラストページの-----枠は、組構成であることを意味します。

## NUMERICAL INDEX OF PARTS

PART NO	PAGE	REF NO.
B3355027000	2	10
GPF01008000	2	11
MAS05718000	2	14
MAS05719000	2	16
MAS05720000	2	17
MAZ12506000	2	4
MAZ17500A0	2	1
MAZ17501000	2	3
MAZ175010A0	2	2
MAZ175020A0	2	7
MAZ17503000	2	8
MAZ175040A0	2	15
MAZ17505000	2	13
SD0600401TP	2	6
SD0640211SP	2	12
SS6151040SP	2	21
SS7060610SP	2	5
SS7110710SL	2	9
SS7110710SP	2	20
SS9090640SP	2	18
WP0482086SD	2	22