

MODEL : LH-3162-4/LH-3162-7

List No : 1039-06

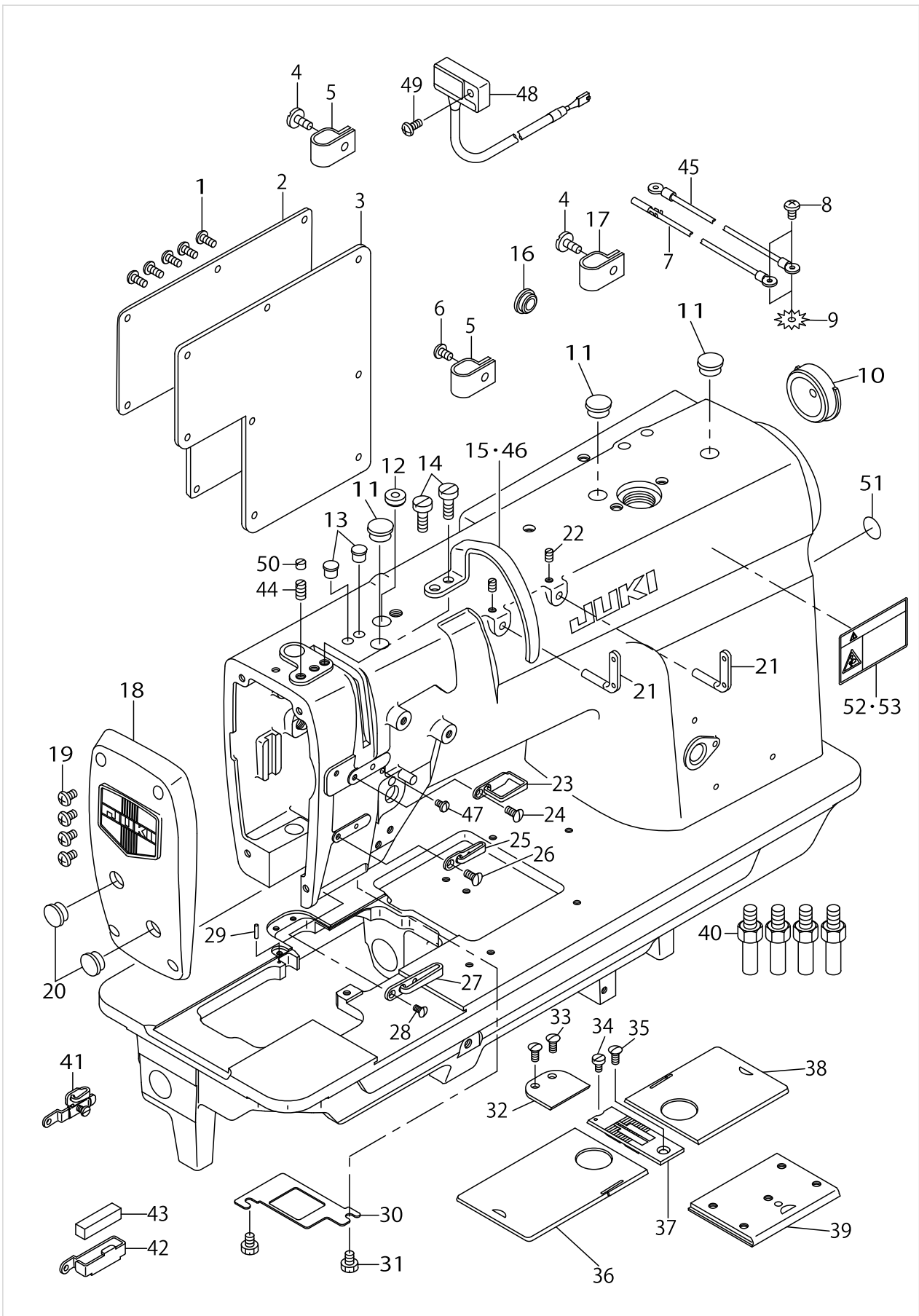
PARTS LIST

Published:05/12/2017

CONTENTS

FRAME & MISCELLANEOUS COVER COMPONENTS	1
MAIN SHAFT & NEEDLE BAR COMPONENTS	5
NEEDLE BAR COMPONENTS	7
TENSION POST COMPONENTS	11
HOOK & HOOK DRIVING SHAFT COMPONENTS	13
FEED MECHANISM COMPONENTS	17
PRESSER BAR & TENSION RELEASE COMPONENTS	21
THREAD TRIMMER MECHANISM COMPONENTS	25
AUTOMATIC CHANGE-OVER DEVICE COMPONENTS (1)	29
AUTOMATIC CHANGE-OVER DEVICE COMPONENTS (2)	31
AUTOMATIC REVERSE FEED MECHANISM COMPONENTS	33
WIPER MECHANISM COMPONENTS	35
LUBRICATION COMPONENTS	37
OIL RESERVOIR & KNEE LIFTER COMPONENTS (WITH AK DEVICE)	41
OIL RESERVOIR & KNEE LIFTER COMPONENTS (WITHOUT AK DEVICE, -7 ONLY)	43
BELT COVER & BOBBIN WINDER COMPONENTS	45
THREAD STAND COMPONENTS (1)	47
THREAD STAND COMPONENTS (2)	49
REVERSE FEED CONTROL LEVER COMPENSATION SWITCH SET (OPTION) FOR LH-3162-7	51
FOOT SWITCH ASM. (OPTION)	53
TABLE OF EXCHANGING GAUGE PARTS (1)	55
TABLE OF EXCHANGING GAUGE PARTS (2)	57
TABLE OF EXCHANGING GAUGE PARTS (3)	61
LIST FOR INFORMATION OF CHANGE	63
HOW TO MAKE USE OF THIS PARTS LIST	64

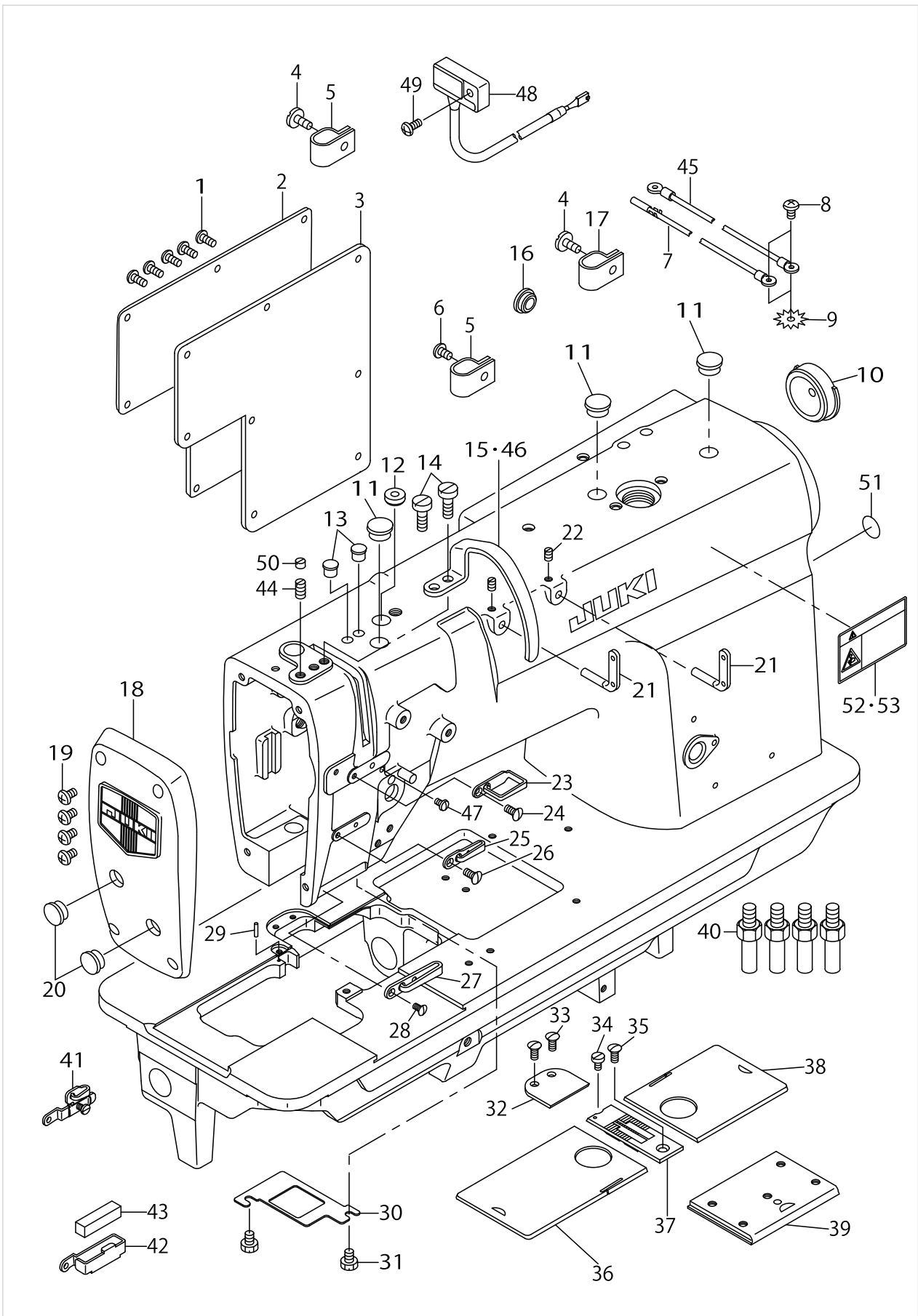
FRAME & MISCELLANEOUS COVER COMPONENTS



FRAME & MISCELLANEOUS COVER COMPONENTS

No.	Supply Code	Parts No.	Replacement	Parts name	Remarks	Choice	Step	Level	Cons	Qty	Rep. QTY
1		SS4110815SP		SCREW 11/64-40 L=8						5	
2		10602902		SLIDE PLATE						1	
3		10101004		GASKET						1	
4		SS6111140SP		SCREW11/64-40L=11						3	
5		D2112555B00		CORD HOLDER, LARGE						3	
6		SS4120615SP		SCREW 3/16-28 L=6						1	
7		22951552		GROUND WIRE ASM.	FOR LH-3162-7					1	
8		SS4120615SP		SCREW 3/16-28 L=6						1	
9		WT0530002KS		TOOTHED WASHER D=5.3						1	
10		22657803		RUBBER PLUG						1	
11		TA1250406R0		RUBBER PLUG D=12.5 L=4						3	
12		22620900		CAP						1	
13		TA0750704R0		RUBBER PLUG						2	
14		SS6151780SP		SCREW 15/64-28 L=17.0						2	
15	D	22602007		THREAD TAKE-UP LEVER OIL GUARD	EXCEPT JAPAN					1	
16		TA1250406R0		RUBBER PLUG D=12.5 L=4						1	
17		D2112555B00		CORD HOLDER, LARGE	FOR -WB, -WO, -OB					2	
18		22680250		FACE PLATE ASM.						1	
19		SS4121015SP		SCREW 3/16-28 L=10						4	
20		TA1250406R0		RUBBER PLUG D=12.5 L=4						2	
21		22920706		TWO EYELET						2	
22		SS8120740SP		SCREW 3/16-28 L=7						2	
23	D	22603013		THREAD GUIDE (UPPER)						1	
24		SS2090710TP		SCREW 9/64-40 L=7.2						1	
25		22603112		THREAD GUIDE						1	
26		SS2090710TP		SCREW 9/64-40 L=7.2						1	
27	R	22603203	SS2090810SP	THREAD GUIDE(LOWER)	TYPE S,G	A				1	1.00
27	R	22603203	40084142	THREAD GUIDE(LOWER)	TYPE S,G	A				1	1.00
28		SS2090710TP		SCREW 9/64-40 L=7.2						1	
29		B1104051000		THROAT PLATE PIN						1	
30		22680003		PLATE						1	
31		SS9110460CP		SCREW 11/64-40 L=4						2	
32		22651202		AUXILIARY COVER						1	
33		SS2090710TP		SCREW 9/64-40 L=7.2						2	
34	R	SS6090630SP	SS6090630TP	SCREW 9/64-40 L=6						1	1.00
35		SS2110920TP		SCREW 11/64-40 L=8.5						1	
36		22650857		BED SLIDE LEFT, ASM., A	EXCHANGI- NG GAUGE PART (SEE P.32~35)					1	
37		22660609		THROAT PLATE 1/4	EXCHANGI- NG GAUGE PART (SEE P.32~35)					1	
38		22650352		BED SLIDE RIGHT, ASM., A	EXCHANGI- NG GAUGE PART (SEE P.32~35)					1	
39		22650055		BED SLIDE ASM.						1	
40		22602601		BED SCREW STUD						4	

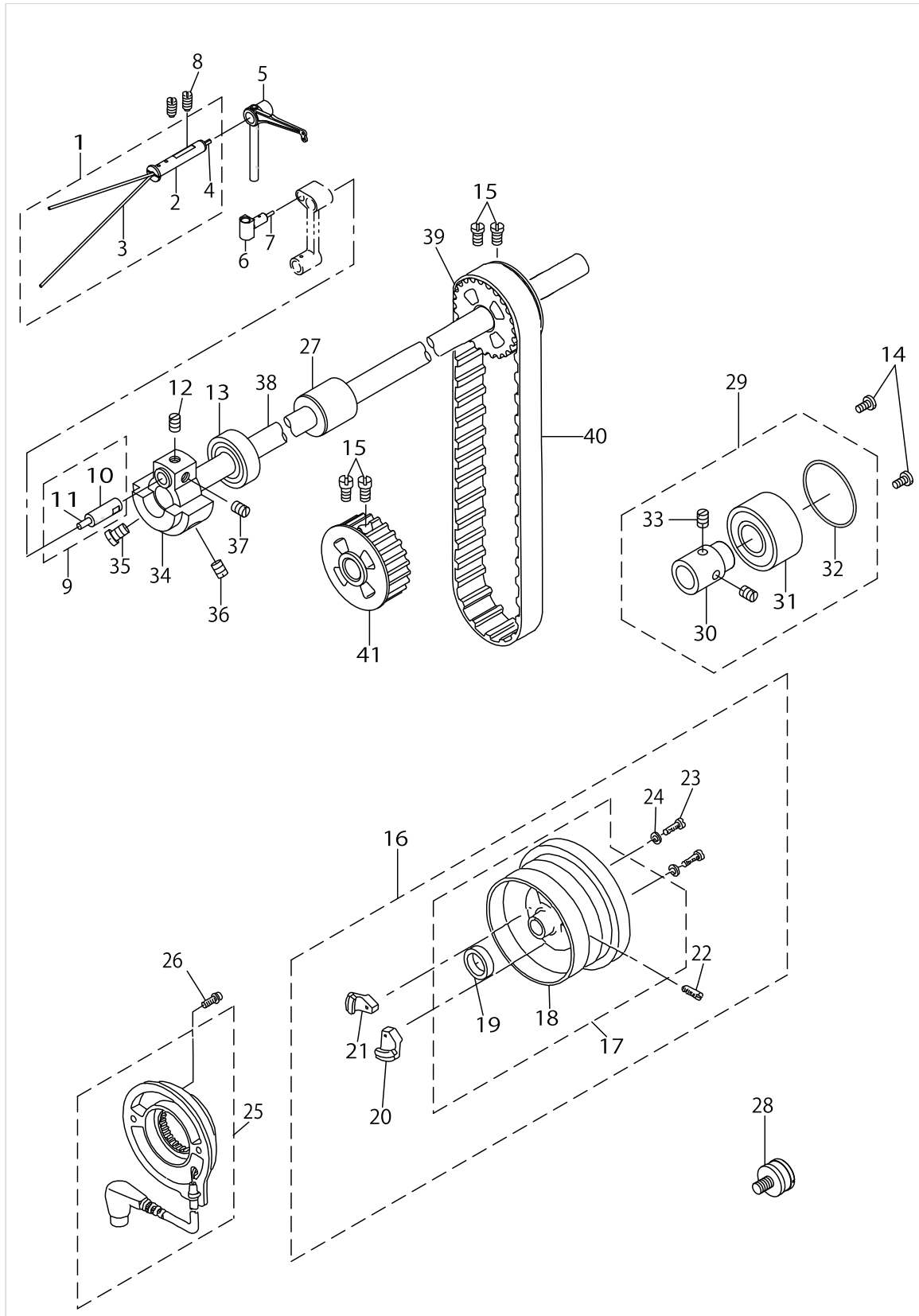
FRAME & MISCELLANEOUS COVER COMPONENTS



FRAME & MISCELLANEOUS COVER COMPONENTS

No.	Supply Code	Parts No.	Replacement	Parts name	Remarks	Choice	Step	Level	Cons	Qty	Rep. QTY
41		22651459		THREAD GUIDE ASM., E	OPTIONAL PART					1	
42		22603609		THREAD GUIDE	TYPE A					1	
43		22603708		FELT	TYPE A					1	
44	R	SS8151150SP	SS8151150TP	SCREW 15/64-28 L=10.5						1	1.00
45		10741759		GROUND WIRE ASM.	FOR LH-3162-4					1	
46		22818009		BALANCE COVER(FOR JE)	FOR JE, JAPAN					1	
47		SS5090610SP		SCREW 9/64-40 L=6						1	
48		M6043350AAA		RESISTANCE PACK ASM.,AA						1	
49		SS4111015SP		SCREW 11/64-40L=10						1	
50		SS8150410TP		SCREW 15/64-28 L= 4.0						1	
51	R	10004109	22901805	GROUND MARK						1	1.00
52		CM3002001A1		SAFETY LABEL,3 (SMALL).	EXCEPT JAPAN					1	
53		CM300200101		SAFETY LABEL, 1(SMALL).	FOR JAPAN					1	

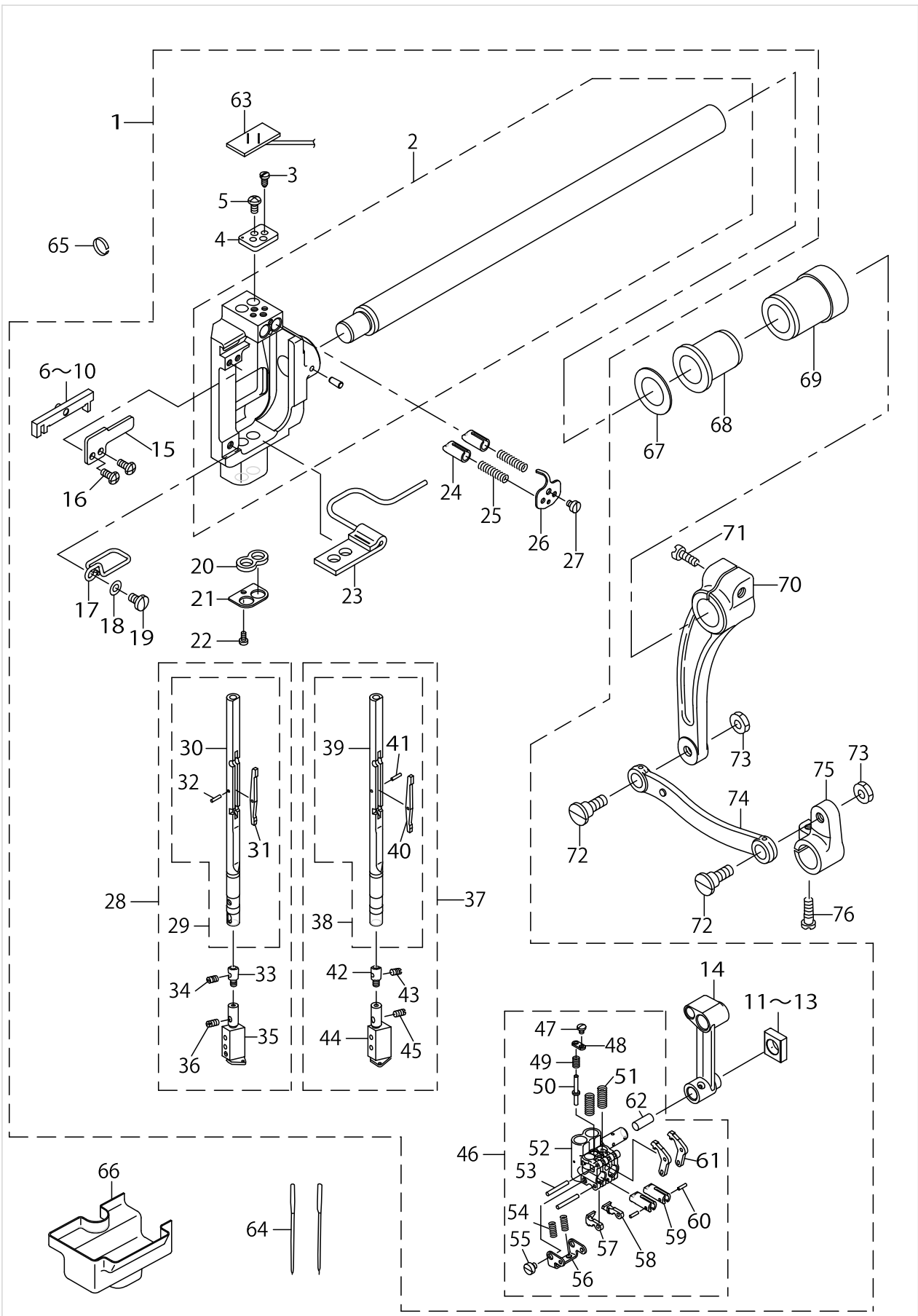
MAIN SHAFT & NEEDLE BAR COMPONENTS



MAIN SHAFT & NEEDLE BAR COMPONENTS

No.	Supply Code	Parts No.	Replacement	Parts name	Remarks	Choice	Step	Level	Cons	Qty	Rep. QTY
1		22605356		THREAD TAKE-UP LEVER PIN ASM.						1	
2		22605307		THREAD TAKE-UP LEVER PIN				*		1	
3		CQ202000000		OIL WICK				*		0.4	
4		CQ252000000		OIL WICK				*		0.04	
5		23203904		TAKE-UP LEVER C						1	
6		22605406		TAKE-UP LEVER THRUST PIN						1	
7		CQ252000000		OIL WICK						.03	
8		SS8151150TP		SCREW 15/64-28 L=10.5						2	
9		22680656		NEEDLE BAR CRANK PIN ASM.						1	
10		22680607		NEEDLE BAR CRANK PIN				*		1	
11		CQ505000000		OIL WICK				*		0.1	
12		SS8680540SP		SCREW 9/32-28 L=4.5						1	
13		B1202512000		MAIN SHAFT BUSHING, FRONT						1	
14		SS7120760SP		SCREW 3/16-28 L=7.0						2	
15		SS6661110SP		SCREW 1/4-40 L=11						4	
16		22651566		HAND WHEEL ASM.	FOR LH-3162-7					1	
17		22651558		HAND WHEEL	FOR LH-3162-7			*		1	
18	D	22651509		HAND WHEEL				*		1	
19		M4002110000		GENERATOR ROTOR	FOR LH-3162-7			*		1	
20		M40071100AA		MAGNET FITTING BASE A ASM.	FOR LH-3162-7			*		1	
21		M40071100AB		MAGNET FITTING BASE B ASM.	FOR LH-3162-7			*		1	
22		SS8151550SP		SCREW 15/64-28 L=15				*		2	
23		SS6111210SP		SCREW 11/64-40 L=12	FOR LH-3162-7			*		2	
24		WP0450801SD		WASHER 4.5X10X0.8	FOR LH-3162-7			*		2	
25	R	11032562	22937965	DYNAMO STATOR	FOR LH-3162-7					1	1.00
26		10604809		SCREW	FOR LH-3162-7					2	
27		22603906		UPPER SHAFT INNER METAL						1	
28		22622401		SYNCR0 FRNGE	FOR LH-3162-4					1	
29		22604656		THRUST COLLAR ASM.						1	
30		22604607		THRUST COLLAR				*		1	
31		SB120000100		BEARING D=20X47				*		1	
32		RO437200200		RUBBER RING				*		1	
33		SS8660530TP		SCREW 1/4-40 L=4.5				*		2	
34	D	22604409		COUNTERWEIGHT						1	
35		SS8681650TP		SCREW 9/32-28 L=16						1	
36		SS7681750TP		SCREW 9/32-28 L=16.5						1	
37		SS8680810TP		SCREW 9/32-28 L=8.0						1	
38		22604003		MAIN SHAFT						1	
39		22604904		UPPER SPROCKET						1	
40		22604300		TIMING BELT						1	
41		22651608		SPROCKET WHEEL						1	

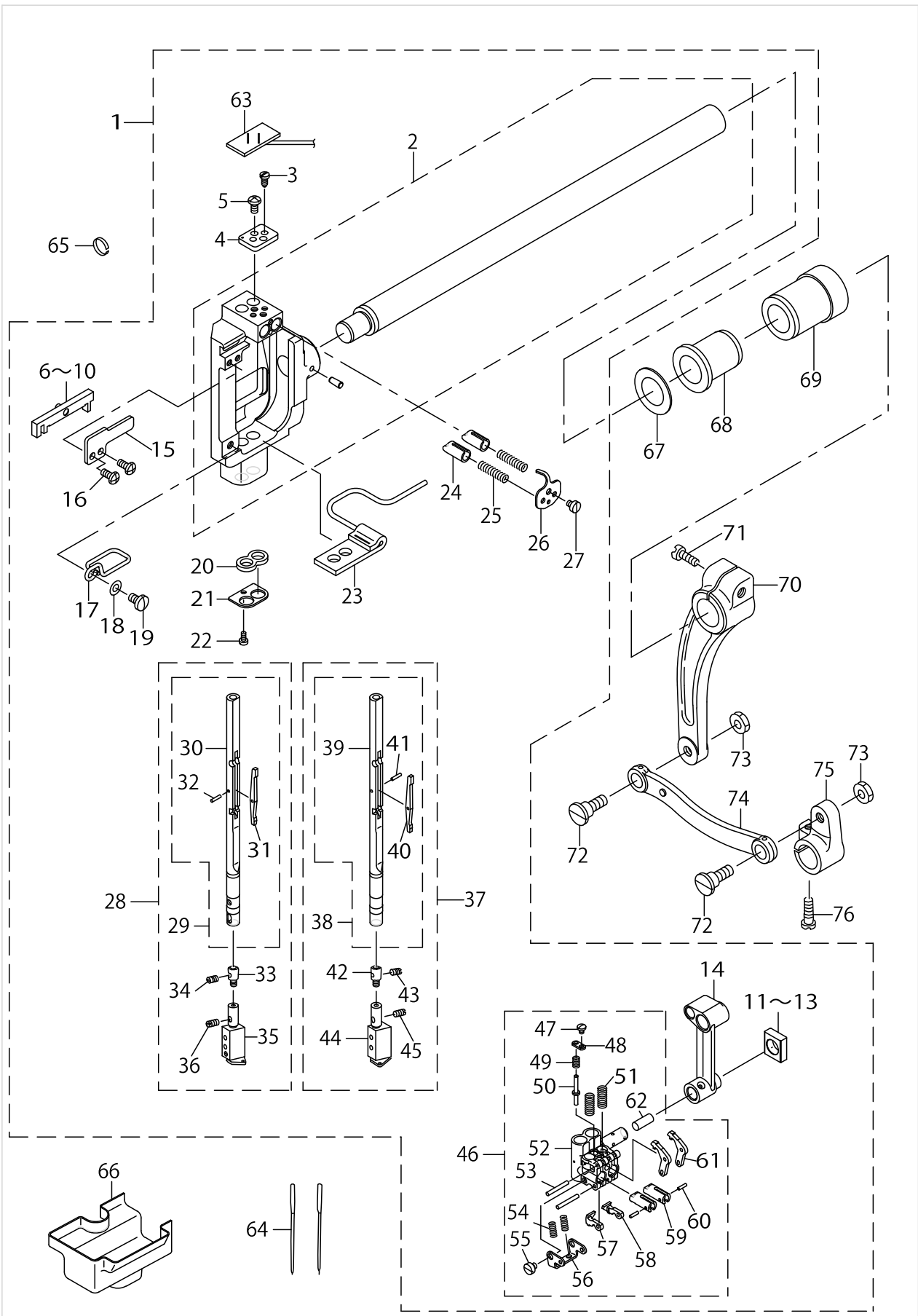
NEEDLE BAR COMPONENTS



NEEDLE BAR COMPONENTS

No.	Supply Code	Parts No.	Replacement	Parts name	Remarks	Choice	Step	Level	Cons	Qty	Rep. QTY
1		22693451		NEEDLE ROD ROCK- ING BASE ASM.						1	
2		23204951		NEEDLE ROD ROCK- ING BASE ASM.				*		1	
3		SS4090715SP		SCREW 9/64-40 L=7				*		2	
4		22682702		NEEDLE BAR SWIVEL STOPPER				*		1	
5		22681712		STOPPER SCREW				*		2	
6		22681951		SLIDERBLOCKASM.A	SELECTIVE PART			*		1	
7		22682058		SLIDERBLOCKASM.B	SELECTIVE PART			*		1	
8		22682157		SLIDE BLOCK	SELECTIVE PART			*		1	
9		22682256		SLIDERBLOCKASM.D	SELECTIVE PART			*		1	
10		22682355		SLIDERBLOCKASM.E	SELECTIVE PART			*		1	
11		23204506		ROCKING ROD SQUARE BLOCK A	SELECTIVE PART			*		1	
12		23204605		ROCKING ROD SQUARE BLOCK B	SELECTIVE PART			*		1	
13		23204704		ROCKING ROD SQUARE BLOCK C	SELECTIVE PART			*		1	
14		22684609		NEEDLE BAR CRANK ROD				*		1	
15		22681803		SLIDE BLOCK GUIDE PLATE				*		1	
16		SS4090815SP		SCREW 9/64-40 L=8				*		2	
17		22685903		FELT GUIDE				*		1	
18		WP0450000SD		WASHER 4.5X8X0.5				*		1	
19		SS7110710SP		SCREW 11/64-40 L=7				*		1	
20		22686000		NEEDLE BAR OIL SEAL FELT, A				*		1	
21		22685804		NEEDLE BAR OIL SEAL PLATE				*		1	
22		SS6060510TP		SCREW 3/32-56 L=4.5				*		1	
23		22686158		OILSEALFELTASM.,B				*		1	
24		22681407		NEEDLE BAR STOPPER				*		2	
25		22681506		SPRING				*		2	
26	R	22681316	40095222	STOPPER SPRING COVER				*		1	1.00
27		SS6080410SP		SCREW 1/8-44 L=4				*		1	
28	D	22693253		NEEDLE BAR UNIT, LEFT				*		1	
29	D	22685150		NEEDLE BAR ASM., LEFT				*		1	
30	R	22685101	22685150	NEEDLE BAR, LEFT				*		1	1.00
31	R	22685200	40026984	SEESAW PLATE		A	LH- 右/ Right	*		1	1.00
31	R	22685200	40026983	SEESAW PLATE		B	LH- 左/Left	*		1	1.00
31	R	22685200	40064252	SEESAW PLATE		C	APW- 右 L- H-896N 右- /APW- Rig- ht LH-896N Right	*		1	1.00
31	R	22685200	40064253	SEESAW PLATE		D	APW- 左 L- H-896N 左- /APW- Left LH-896N Left	*		1	1.00
32		22685408		NEEDLE BAR PIN				*		1	
33		22682504		SPRING BEARING				*		1	
34		B1425526000		SCREW 1/8-44 L=6				*		1	
35		B1402528FALA		NEEDLE CLAMP ASM. 1/4				*		1	
36		B1425526000		SCREW 1/8-44 L=6				*		1	
37	D	22693352		NEEDLE BAR UNIT, RIGHT				*		1	
38	D	22685358		NEEDLE BAR ASM., RIGHT				*		1	
39	R	22685309	22685358	NEEDLE BAR, RIGHT				*		1	1.00

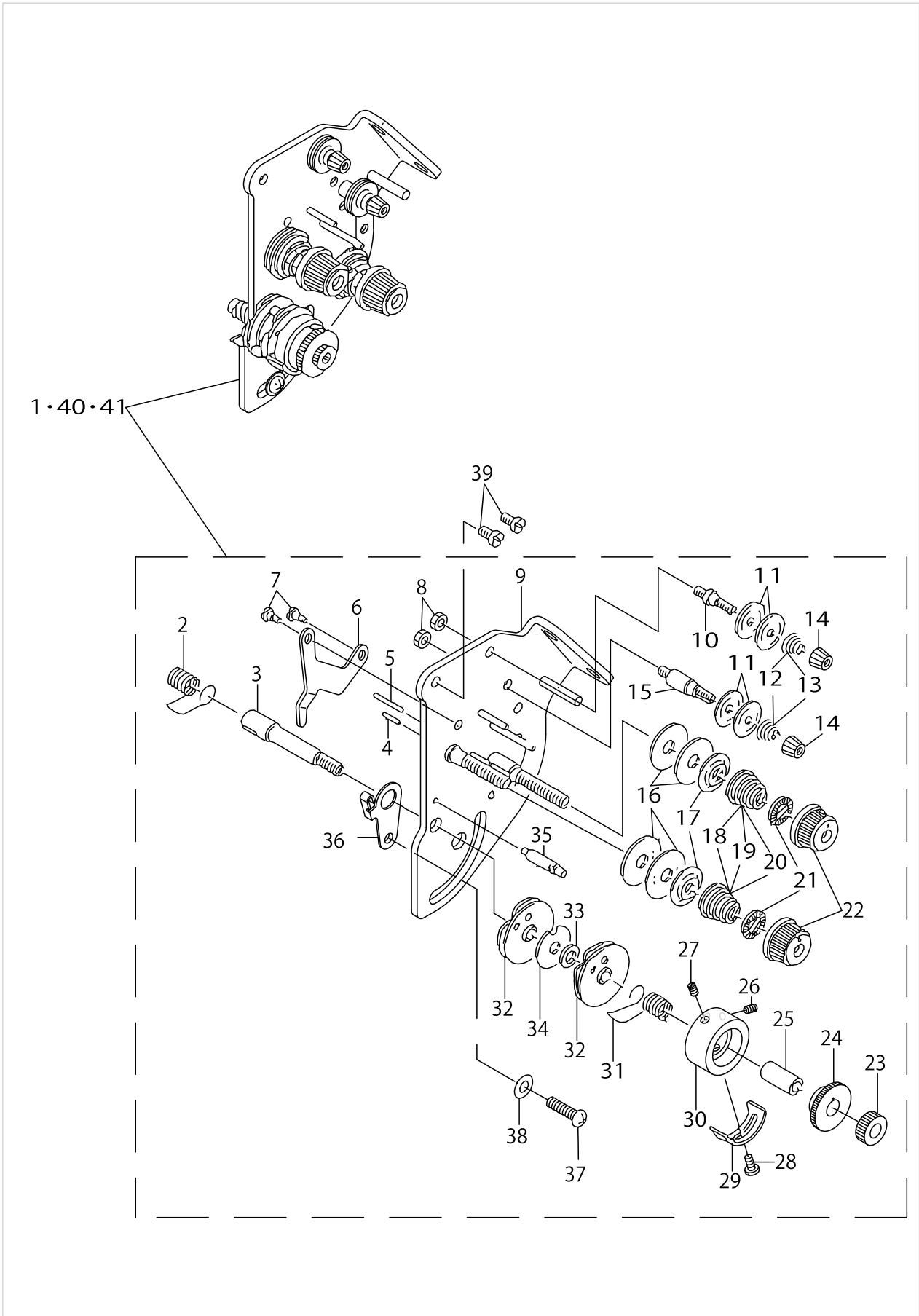
NEEDLE BAR COMPONENTS



NEEDLE BAR COMPONENTS

No.	Supply Code	Parts No.	Replacement	Parts name	Remarks	Choice	Step	Level	Cons	Qty	Rep. QTY
40	R	22685200	40026984	SEESAW PLATE		A	LH- 右/ Right	*		1	1.00
40	R	22685200	40026983	SEESAW PLATE		B	LH- 左/Left	*		1	1.00
40	R	22685200	40064252	SEESAW PLATE		C	APW- 右 L- H-896N 右- /APW- Rig- ht LH-896N Right	*		1	1.00
40	R	22685200	40064253	SEESAW PLATE		D	APW- 左 L- H-896N 左- /APW- Left LH-896N Left	*		1	1.00
41		22685408		NEEDLE BAR PIN				*		1	
42		22682504		SPRING BEARING				*		1	
43		B1425526000		SCREW 1/8-44 L=6				*		1	
44		B1402528FARA		NEEDLE CLAMP ASM. 1/4				*		1	
45		B1425526000		SCREW 1/8-44 L=6				*		1	
46		22683056		NEEDLE BAR CONNECTION ASM.				*		1	
47		SS7060310SP		SCREW 3/32-56 L=3				*		1	
48		22683205		RELEASE PIN COVER				*		1	
49		22683304		SPRING				*		1	
50		22683106		RELEASE PIN				*		1	
51		22683809		SPRING				*		2	
52		22683007		NEEDLE BAR CONNECTION				*		1	
53		22683403		NEEDLE BAR CONNECTION PIN				*		2	
54		22684104		SPRING				*		2	
55		SS6080340SP		SCREW 1/8-44 L=2.9				*		2	
56		22684203		SPRING BRACKET				*		1	
57		22683908		CLUTCH STOPPER, LEFT				*		1	
58		22684005		CLUTCH STOPPER, RIGHT				*		1	
59		22683502		NEEDLEBARCLUTCH				*		2	
60		B1705850000		STOPPER PIN				*		2	
61		22683601		CLUTCH LEVER				*		2	
62		CQ252000000		OIL WICK				*		0.1	
63		22682850		FELT ASM.				*		1	
64		MDP500B1400		NEEDLE DPX5 #14						2	
65		B1414512000		OIL WICK RETAINER						1	
66		22685705		OIL GUARD RUBBER						1	
67		B1438512B00		WASHER 17.1X28X1.5	SELECTIVE PART					1	
68		22607303		BUSHING						1	
69		22607402		BUSHING						1	
70		22607006		REAR ARM						1	
71		SS6152440SP		SCREW 15/64-28 L=23.5						1	
72		SD0870601SP		HINGE SCREW D= 8.73 H= 6.0						2	
73		NS6150430SP		NUT 15/64-28						2	
74		22607105		DRIVING ROD						1	
75	R	22607204	22607253	DRIVING ARM						1	1.00
76		SS6121610TP		SCREW 3/16-28 L=15.5						1	

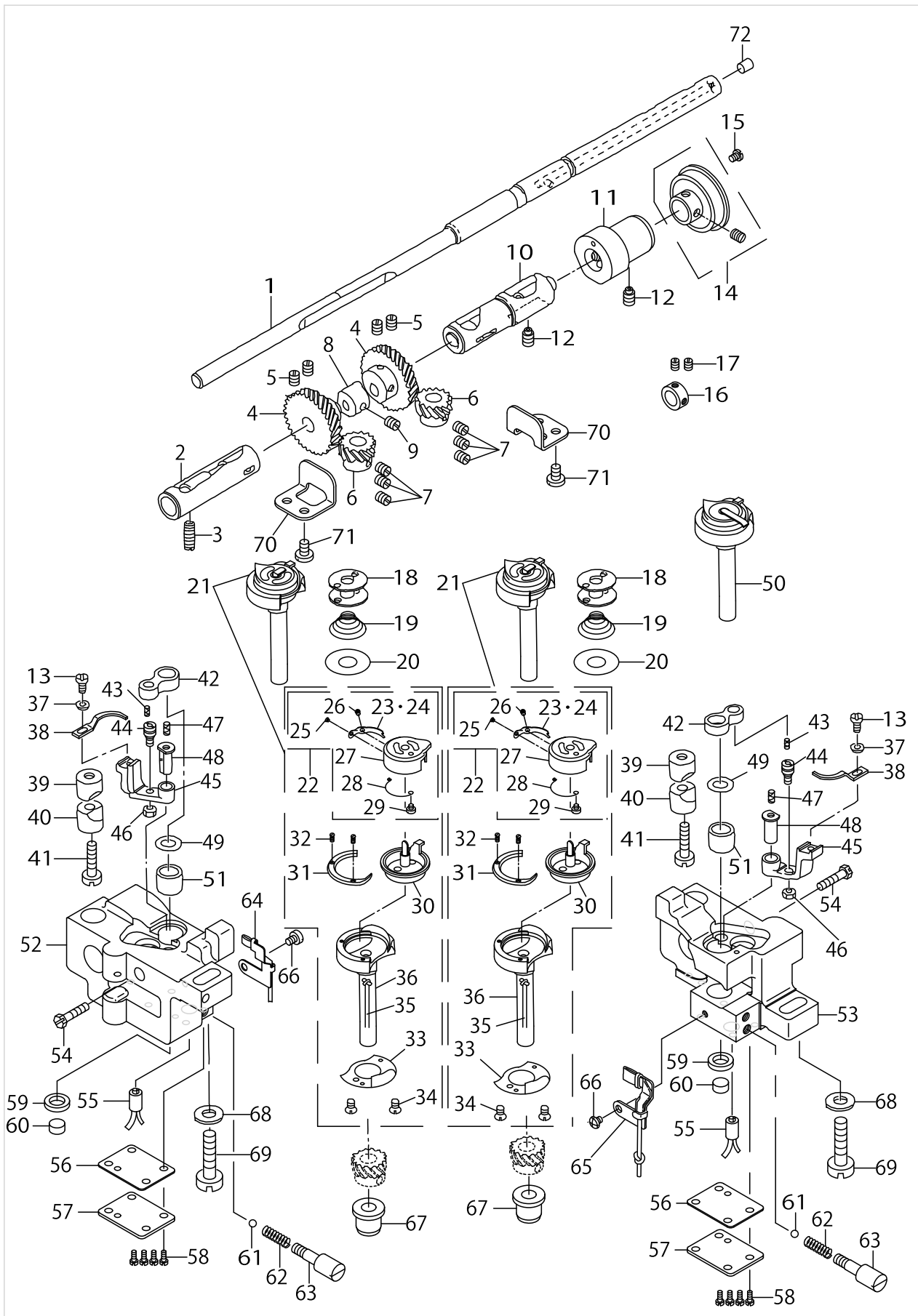
TENSION POST COMPONENTS



TENSION POST COMPONENTS

No.	Supply Code	Parts No.	Replacement	Parts name	Remarks	Choice	Step	Level	Cons	Qty	Rep. QTY
1		22618060		THREAD TENSION ASM., S	TYPE S					1	
2		22618706		THREAD TAKE-UP SPRING A				*		1	
3		10697605		THREAD TAKE-UP SPRING STUD				*		1	
4		22618201		TENSION RELEASE PIN, A				*		1	
5		22618300		TENSION RELEASE PIN, B				*		1	
6		22618102		TENSION RELEASE LEVER				*		1	
7		SD0470281SP		HINGE SCREW D=4.7 H=2.8				*		2	
8		NS6110310SP		NUT 11/64-40				*		2	
9		22618052		TENSION BASE PLATE ASM.				*		1	
10		10124204		THREAD TENSION POST, A				*		1	
11		10741106		FIRST THREAD TENSION PLATE				*		4	
12		11045101		THREAD TENSION SPRING	TYPE A, S			*		2	
13		11093606		THREAD TENSION SPRING	TYPE G			*		2	
14		11072402		THREAD TENSION NUT				*		2	
15		10124303		THREAD TENSION POST, B				*		1	
16	R	B3126012000	22921506	THREAD TENSION DISK				*		4	1.00
17		22617906		THREAD TENSION DISK PRESSER				*		2	
18		B3129012A00		TENSION SPRING	TYPE S			*		2	
19		D3129555D00		THREAD TENSION SPRING	TYPE A,			*		2	
20		B3114232000		THREAD TENSION SPRING	TYPE G			*		2	
21		B3112704000		TENSION SPRING BUSHING				*		2	
22		11956802		THREAD TENSION KNOB, BLUE				*		2	
23	R	22617807	22928808	NUT				*		1	1.00
24		22617708		TAKE-UP SPRING GUIDE				*		1	
25		B3141527000		PRESSER COLLAR				*		1	
26	R	22618904	SM8030500SP	SET SCREW				*		1	1.00
27	R	22618904	SM8030500SP	SET SCREW				*		1	1.00
28		SS7090510SP		SCREW 9/64-40 L=4.6				*		1	
29		B3138527000		ADJUSTING PLATE B				*		1	
30		22617609		THREAD TENSION POST				*		1	
31		22618805		THREAD TAKE-UP SPRING B				*		1	
32		B31375270A0		TAKE-UP SPRING GUIDE ASM.				*		2	
33		B3139527000		COLLAR				*		1	
34		B3142527000		TAKE-UP SPRING GUIDE PLATE				*		1	
35		B3143527000		TAKE-UP SPRING GUIDE STUD				*		1	
36		10697506		THREAD TENSION BRACKET, A				*		1	
37		SS4110615SP		SCREW 11/64-40 L=6				*		1	
38		WP0501016SD		WASHER 5X10.5X1				*		1	
39		SS4120615SP		SCREW 3/16-28 L=6				*		2	
40		22618458		THREAD TENSION ASM., A	TYPE A,			*		1	
41		22618557		THREAD TENSION ASM.	TYPE G			*		1	

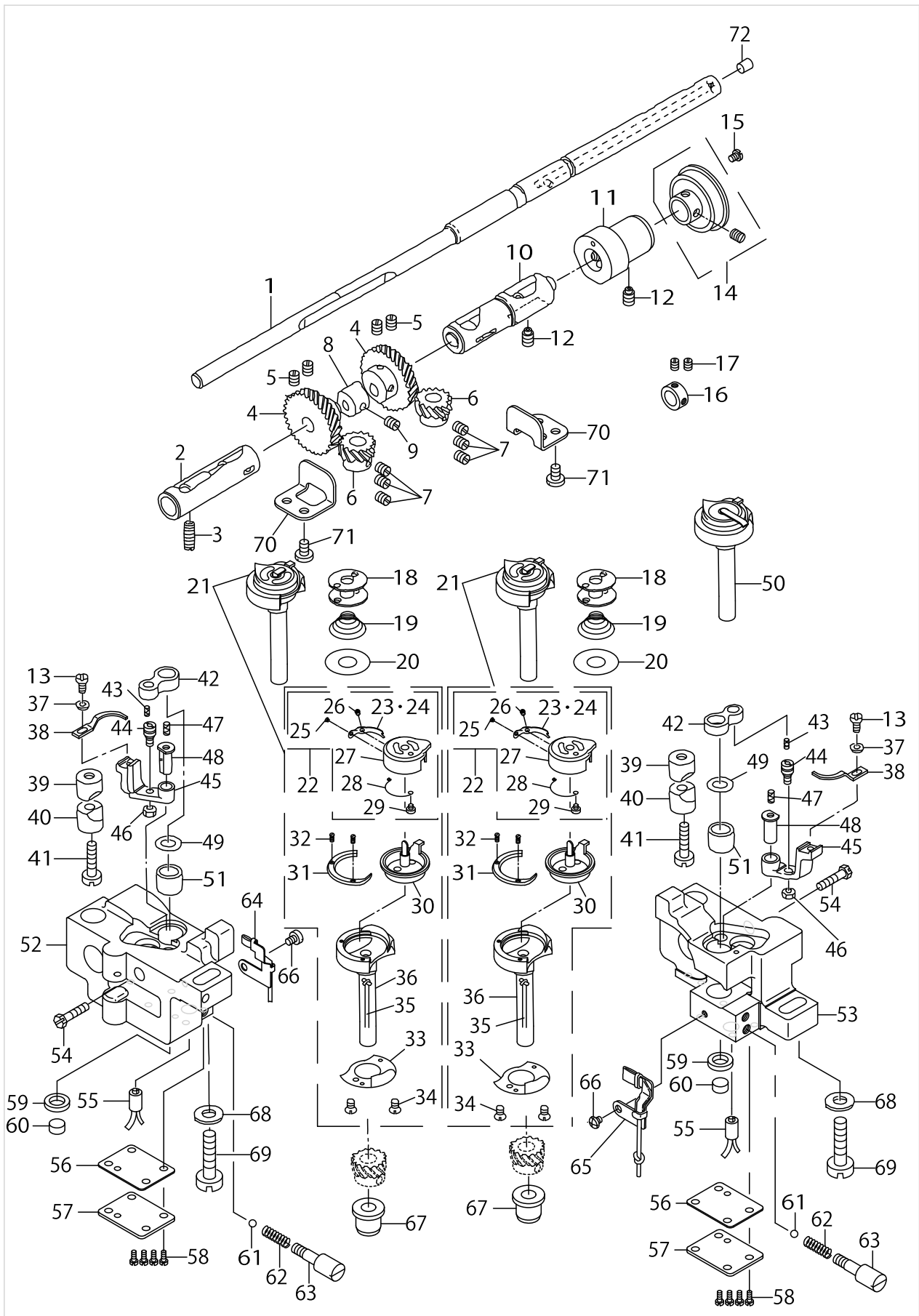
HOOK & HOOK DRIVING SHAFT COMPONENTS



HOOK & HOOK DRIVING SHAFT COMPONENTS

No.	Supply Code	Parts No.	Replacement	Parts name	Remarks	Choice	Step	Level	Cons	Qty	Rep. QTY
1		10108512		HOOK DRIVING SHAFT						1	
2		B18025120A0A		BUSHING ASM., FRONT	SELECTIVE PART					1	
3	R	SS8151150SP	SS8151150TP	SCREW 15/64-28 L=10.5						1	1.00
4		B1816512000		HOOK DRIVING SHAFT, LARGE						2	
5		SS8660810TP		SCREW 1/4-40 L=8						4	
6		10112001		HOOK SHAFT GEAR, A	SELECTIVE PART					2	
7		SS8660530TP		SCREW 1/4-40 L= 4.5						6	
8		22609804		FEED DRIVING CAM						1	
9		SS8660530TP		SCREW 1/4-40 L= 4.5						1	
10		B18035150A0		BUSHING ASM., INTERMEDIATE	SELECTIVE PART					1	
11		10108611		PLUNGER BUSHING						1	
12	R	SS8151150SP	SS8151150TP	SCREW 15/64-28 L=10.5						2	1.00
13		SS6090810SP		SCREW 9/64-40 L= 7.5						2	
14	D	10611457		THRUST COLLAR ASM.						1	
15		SS7120760SP		SCREW 3/16-28 L= 7.0						2	
16		CS1471012SH		THRUST COLLAR D=14.72 W=10						1	
17		SS8660530TP		SCREW 1/4-40 L= 4.5						2	
18		10210805		HARD ALUMITE BOBBIN						2	
19		10111508		SPRING						2	
20		22653802		SHEET						2	
21		22693857		HOOK ASM.						2	
22		22688154		BOBBIN CASE ASM				*		2	
23		22688402		TENSION ADJUSTING SPRING	SELECTIVE PART			*		2	
24		22688501		TENSION ADJUSTING SPRING	SELECTIVE PART			*		2	
25		10110500		TENSION SPRING I- NSTALLING SCRE				*		2	
26		22612907		TENSION ADJUSTING SCREW				*		2	
27		22688105		BOBBIN CASE				*		2	
28		22688204		SPRING				*		2	
29		SS6560150SH		SCREW 3/32-80 L=1.3				*		2	
30		22653000		SEWING HOOK				*		2	
31		22653307		HOOK GIB				*		2	
32		10112803		SCREW				*		4	
33		22612303		NEEDLE POSITIONER				*		2	
34		10112902		SCREW				*		4	
35		22612501		LILYYARN				*		2	
36		22688006		OUTER HOOK				*		2	
37		WP0371016SD		WASHER 3.7X8X1						2	
38		22613509		BOBBIN CASE OPENING LEVER						2	
39		10109908		SADDLE INSTALLIN- G BLOCK, UPPER						2	
40		10112407		SADDLE INSTALLIN- G BLOCK, LOWER						2	
41		SS6153040SP		SCREW 15/64-28 L=30						2	
42		B1820563000		BOBBIN CASE OPE- NING LEVER LINK						2	
43		CQ202000000		OIL WICK						.1	
44		B1821051000		CRANK SCREW STUD						2	
45		B1822051000		OPENING LEVER CRANK						2	

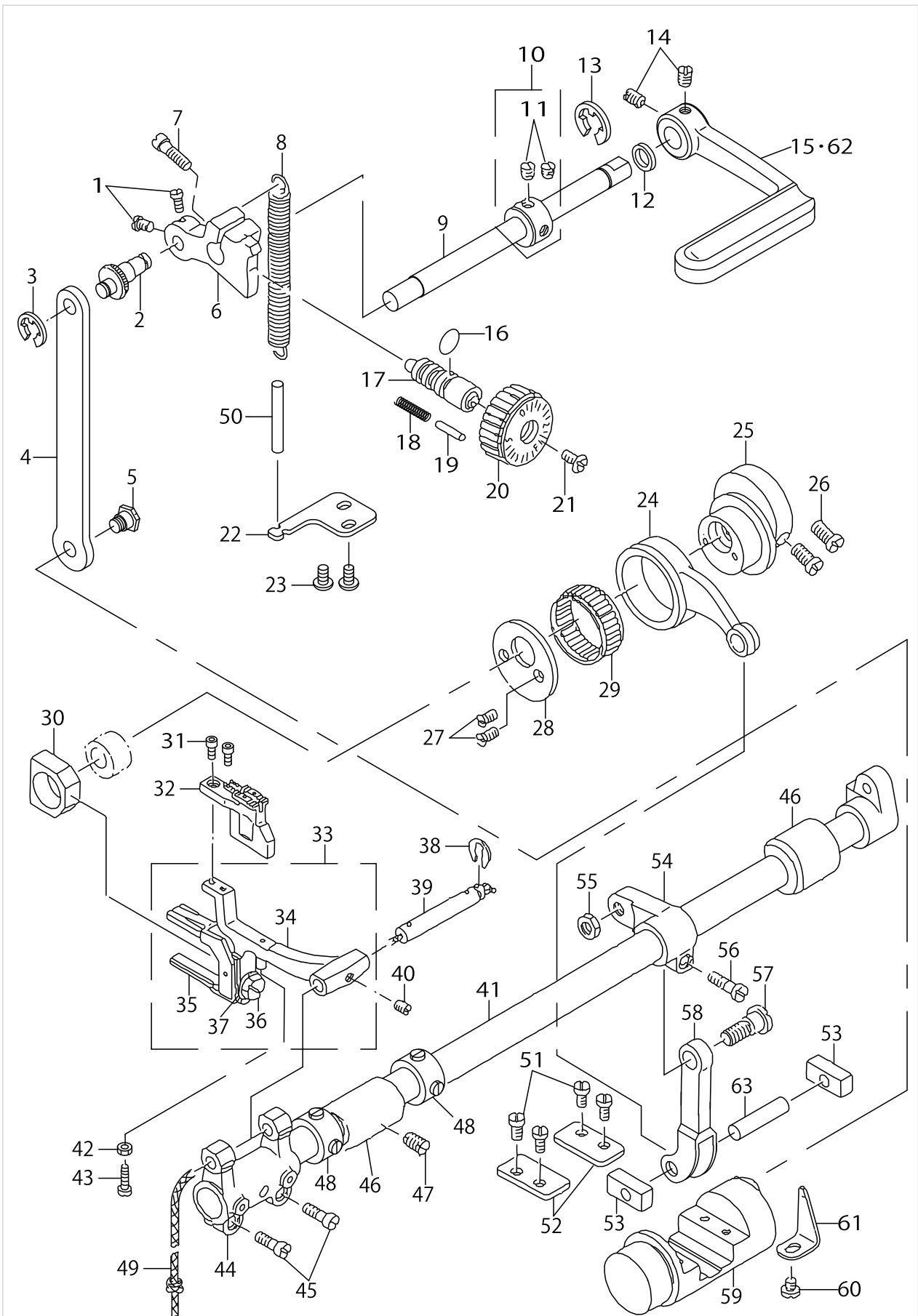
HOOK & HOOK DRIVING SHAFT COMPONENTS



HOOK & HOOK DRIVING SHAFT COMPONENTS

No.	Supply Code	Parts No.	Replacement	Parts name	Remarks	Choice	Step	Level	Cons	Qty	Rep. QTY
46		NS6110420SP		NUT 11/64-40						2	
47		CQ202000000		OIL WICK						.1	
48		B1823051000		OPENING LEVER CRANK PIN						2	
49		10111201		THRUST WASHER, F						2	
50		22653158		RATCHETHOOKASM.	FOR JS					2	
51		22613905		HOOK SHAFT UPPER METAL						2	
52		22653604		HOOK SHAFT SADDLE, LEFT						1	
53		22653505		HOOK SHAFT SADDLE, RIGHT						1	
54	R	SS7111810SP	SS7111810TP	SCREW 11/64-40L=18						2	1.00
55		22615454		RUBBER BUSHING ASM.						2	
56		22615108		GASKET						2	
57		22615009		HOOK SHAFT SADDLE COVER						2	
58		SS4110815SP		SCREW 11/64-40 L=8						8	
59		22615306		FELT HOLDER						2	
60		22615207		FELT						2	
61		22615702		OIL ADJUSTING BALL						2	
62		D3171415B0H		PRESSER SPRING						2	
63		22615801		OIL ADJUSTING SCREW						2	
64		22615959		OIL WICK HOLDER ASM. LEFT						1	
65	D	22616254		OIL WICK HOLDER ASM. RIGHT						1	
66		SS4110515SP		SCREW 11/64-40 L=5						2	
67	R	22613400	40017056	HOOK DRIVING SHAFT BUSHING						2	1.00
68		WP0850002SP		WASHER 8.5X18X1.6						2	
69		SM6082502TP		SCREW M8 L=25						2	
70		22613608		GEAR GUIDE						2	
71		SS7110710SP		SCREW 11/64-40 L=7						4	
72		TA0500601M0		PLUG D=5X5.4 L=6						1	

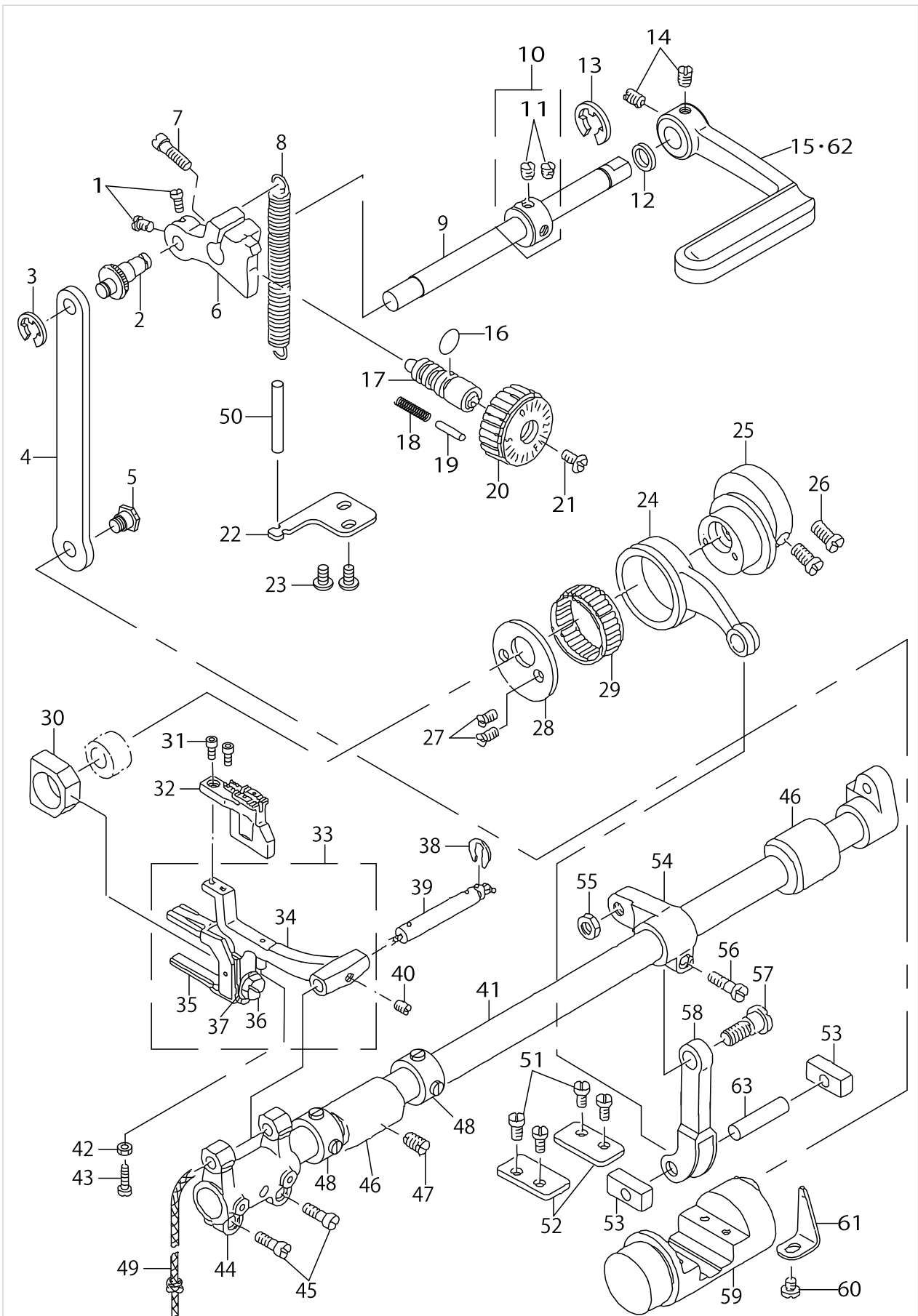
FEED MECHANISM COMPONENTS



FEED MECHANISM COMPONENTS

No.	Supply Code	Parts No.	Replacement	Parts name	Remarks	Choice	Step	Level	Cons	Qty	Rep. QTY
1		SS6090670TP		SCREW 9/64-40 L=6						2	
2		22610109		ROD PIN						1	
3		RE0500000K0		E-RING						1	
4		22610208		FEED REGULATOR CONNECTING ROD						1	
5		SD0800422CP		HINGE SCREW D= 8 H= 4.2						1	
6		22610000		FEED REGULATOR						1	
7	R	SS7121410SP	SS7121410TP	SCREW 3/16-28 L=14						1	1.00
8		22610307		FEED REGULATOR SPRING						1	
9		22652101		REVERSE FEED SHAFT	FOR -WB, -OB					1	
10		CS102121ASH		THRUST COLLAR A-SM. D=10.2 W=12						1	
11		SS8660610TP		SCREW 1/4-40 L=6				*		2	
12		10108009		OIL SEAL						1	
13		RE0900000K0		E-RING 9						1	
14	R	SS7120910SP	SS7120910TP	SCREW 3/16-28 L=9						2	1.00
15	R	22610505	21388004	REVERSE FEED CONTROL LEVER	FOR LH-3162-4					1	1.00
16		RO092270200		RUBBER RING						1	
17	R	11009909	22911804	FEED REGULATOR SCREW						1	1.00
18		22912109		FEED REGULATOR PIN SPRING						1	
19	R	11052701	22912000	PIN						1	1.00
20		22911903		FEED DIAL						1	
21		SS6121860SP		SCREW 3/16-28 L=18						1	
22		22610406		SPRING BRACKET						1	
23		SS4110815SP		SCREW 11/64-40 L=8						2	
24		22609200		FEED ROCK SHAFT CONNECTING ROD						1	
25		22652002		FEED DRIVE ECCENTRIC CAM						1	
26		SS6661110SP		SCREW 1/4-40 L=11						2	
27		SS7110710SP		SCREW 11/64-40 L=7						2	
28	D	22609101		CAM COVER						1	
29		B1636581B00		NEEDLE BEARING B						1	
30		B1610512000		FEED DRIVING SLIDE BLOCK						1	
31		SS6580752TP		SCREW 1/8-40 L=7						2	
32		10238202		FEED DOG 1/4	EXCHANGI-NG GAUGE PART (SEE P.32~35)					1	
33	R	22609754	22609762	FEED BAR ASM.						1	1.00
34	R	22609705	22609762	FEED BAR				*		1	1.00
35	R	10107902	40039258	FEED BAR FORK		A	PLC-17*	*		1	1.00
35	R	10107902	21336060	FEED BAR FORK		B	LU-1510N-7 NA-7	*		1	1.00
35	R	10107902	21364252	FEED BAR FORK		C	LU-1560N-7 LU-1565	*		1	1.00
35	R	10107902	21393459	FEED BAR FORK		D	LU-1520N-7	*		1	1.00
35	R	10107902	23003353	FEED BAR FORK		E	PLC-16*	*		1	1.00
35	R	10107902	21336052	FEED BAR FORK		G	LU-1510/1510-7	*		1	1.00
35	R	10107902	22609762	FEED BAR FORK				*		1	1.00
36		SS9151440CP		SCREW 15/64-28L=14				*		1	
37		WP0621016SD		WASHER 6.2X13X1				*		1	

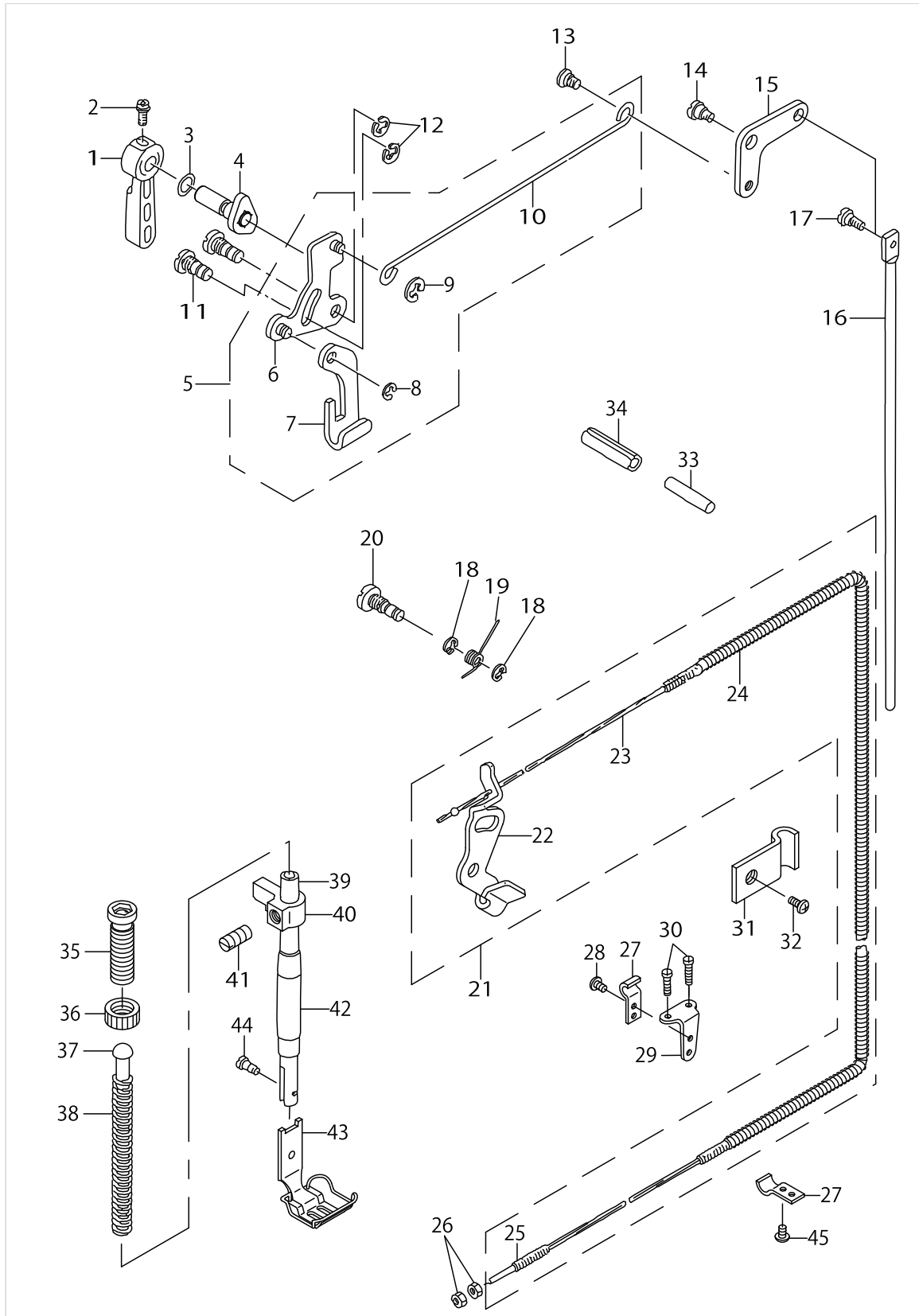
FEED MECHANISM COMPONENTS



FEED MECHANISM COMPONENTS

No.	Supply Code	Parts No.	Replacement	Parts name	Remarks	Choice	Step	Level	Cons	Qty	Rep. QTY
38		RE0500711KP		SNAP RING 5						1	
39		B1604012000A		FEED BAR SHAFT						1	
40		SM8050502TP		SCREW M5 L=5						1	
41		22609408		FEED ROCK SHAFT						1	
42		NS6080210SP		NUT 1/8-44						1	
43		SS6081810SP		SCREW 1/8-44 L=18.0						1	
44	R	B1603512000	21364104	FEED ROCKER						1	1.00
45		SS7111310TP		SCREW 11/64-40 L=12.8						2	
46		10106102		BUSHING						2	
47	R	SS8151150SP	SS8151150TP	SCREW 15/64-28 L=10.5						1	1.00
48		22904155		MAIN SHAFT THRU-ST COLLAR ASM.						2	
49		CQ252000000		OIL WICK						.5	
50		BT0500300EA		OIL TUBE						.09	
51	R	SS7110910SP	SS7110910TP	SCREW 11/64-40 L=8.5						4	1.00
52		10315505		PLATE						2	
53		22609606		FEED DRIVING ROCKER BLOCK, S						2	
54		22609309		FEED ROCKER SHAFT CRANK						1	
55		NS6680320SP		NUT 9/32-28						1	
56		SS6121610TP		SCREW 3/16-28 L=15.5						1	
57		SD0900701TP		HINGE SCREW D= 9 H= 7						1	
58		10315208		FEED ROCK CONNECTING ROD						1	
59		10315455		FEED DRIVING ROCKER ASM.						1	
60		SS7110510SP		SCREW 11/64-40 L=5						1	
61		B1633470000		STOPPER PLATE						1	
62	D	22797005		REVERSE FEED CONTROL LEVER B	FOR LH-3162-7					1	
63	R	B1653470000	40032271	PIN						1	1.00

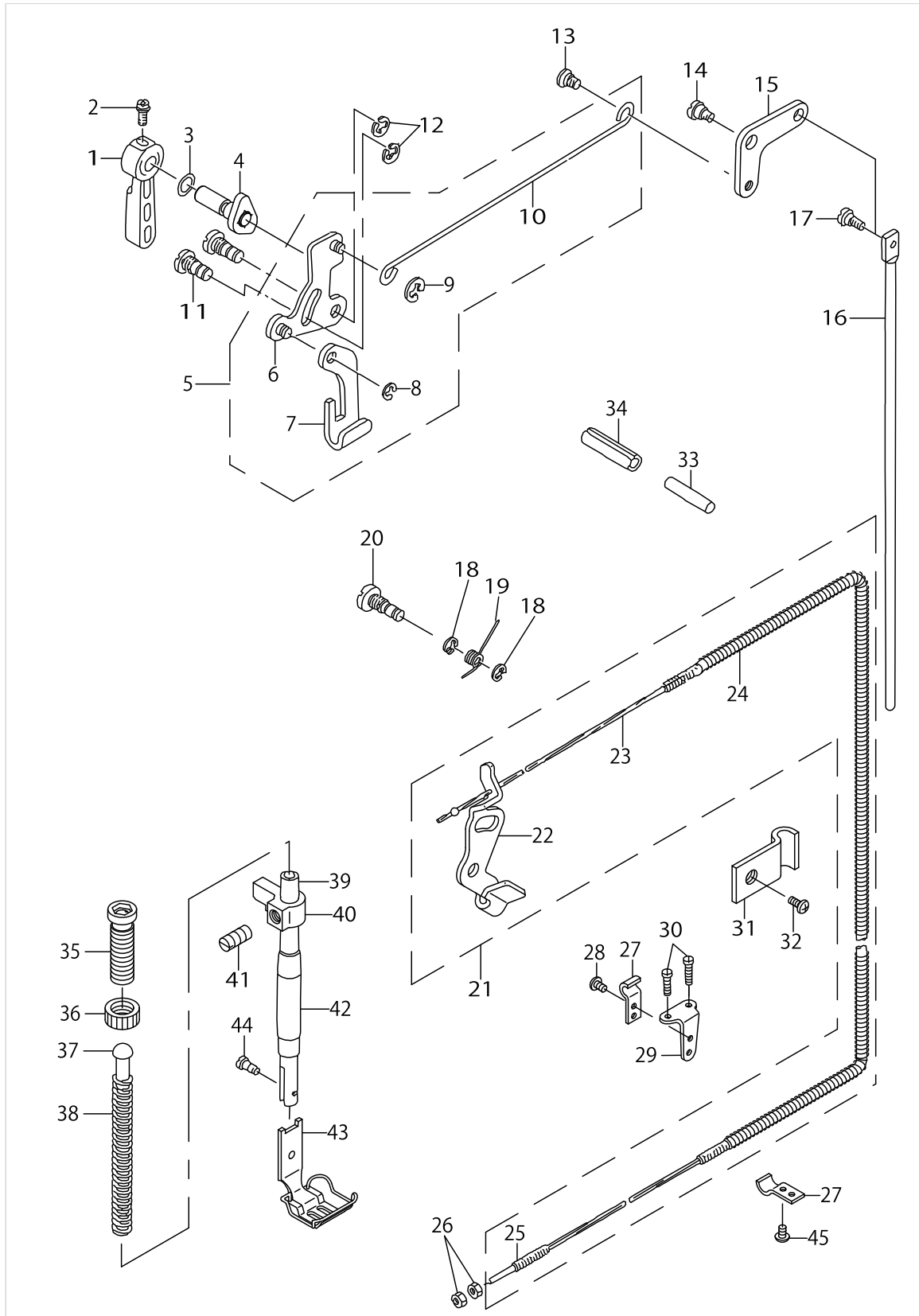
PRESSER BAR & TENSION RELEASE COMPONENTS



PRESSER BAR & TENSION RELESE COMPONENTS

No.	Supply Code	Parts No.	Replacement	Parts name	Remarks	Choice	Step	Level	Cons	Qty	Rep. QTY
1	R	11071800	22907802	HAND LIFTER						1	1.00
2		B1521555000		SCREW						1	
3		RO037180100		RUBBER RING						1	
4		22908552		HAND LIFTER CAM ASM.						1	
5		22608152		LIFTING LEVER ROD ASM.						1	
6	R	11006350	22908354	HAND LIFTER LINK				*		1	1.00
7	R	11006202	22908354	LIFTING LEVER		A	DDL-5550 5550N 555- ON-7 5556- N-7 5600NL-7	*		1	1.00
7	R	11006202	23609357	LIFTING LEVER		B	DDL-9000A 9000B	*		1	1.00
7	R	11006202	40057398	LIFTING LEVER		C	LH-3500	*		1	1.00
7	R	11006202	40174387	LIFTING LEVER		D	DDL-9000C	*		1	1.00
8		11007309		E-RING				*		1	
9		RE0500000K0		E-RING				*		1	
10		22608103		LIFTING LEVER CONNECTING ROD				*		1	
11	R	11006509	22908701	LINK SHAFT						2	1.00
12		RE0500000K0		E-RING						2	
13	R	11007101	22908909	HINGE SCREW						1	1.00
14		SD0720332SP		HINGE SCREW D= 7.24 H= 3.3						1	
15		22908800		KNEE LIFTER LINK						1	
16		10125201		CONNECTING ROD, VERTICAL						1	
17		SD0600322SD		HINGE SCREW D=6 H=3.2						1	
18		RE0500000K0		E-RING						2	
19	R	11018207	22920201	TENSION RELEASE RETURN SPRING						1	1.00
20	R	11018108	22920102	TENSION RELEASE SHAFT						1	1.00
21		22654958		TENSION RELEASE PLATE ASM.						1	
22		22617104		TENSION RELEASE PLATE				*		1	
23		11394509		WIRE CABLE				*		1	
24		22654909		WIRE TUBE				*		1	
25		D3159555B00		SET SCREW				*		1	
26		NS6620310SP		NUT 3/16-32						2	
27		D3164555B00		OUTER PRESSER PLATE						2	
28		SS4110715SP		SCREW 11/64-40 L=7						1	
29		D3163555B00A		FLEXIBLE TUBE SUPPORT PLATE						1	
30		SS4111215SP		SCREW11/64-40L=12						2	
31		22620801		PIPE HOLDER						1	
32		SS4111015SP		SCREW11/64-40L=10						1	
33		22617005		PUSH BAR						1	
34		PS0600502KP		SPRING PIN						1	
35	R	11071602	22907554	PRESSER SPRING REGULATOR						1	1.00
36	R	11071701	22907554	NUT						1	1.00
37		22907703		PRESSER GUIDE BAR						1	
38		B1505227T00A		PRESSER SPRING T						1	
39		B1501581000		PRESSER BAR						1	
40	R	22608004	40017058	NEEDLE BAR GUIDE BRACKET						1	1.00
41		SS8660810TP		SCREW 1/4-40 L=8						1	

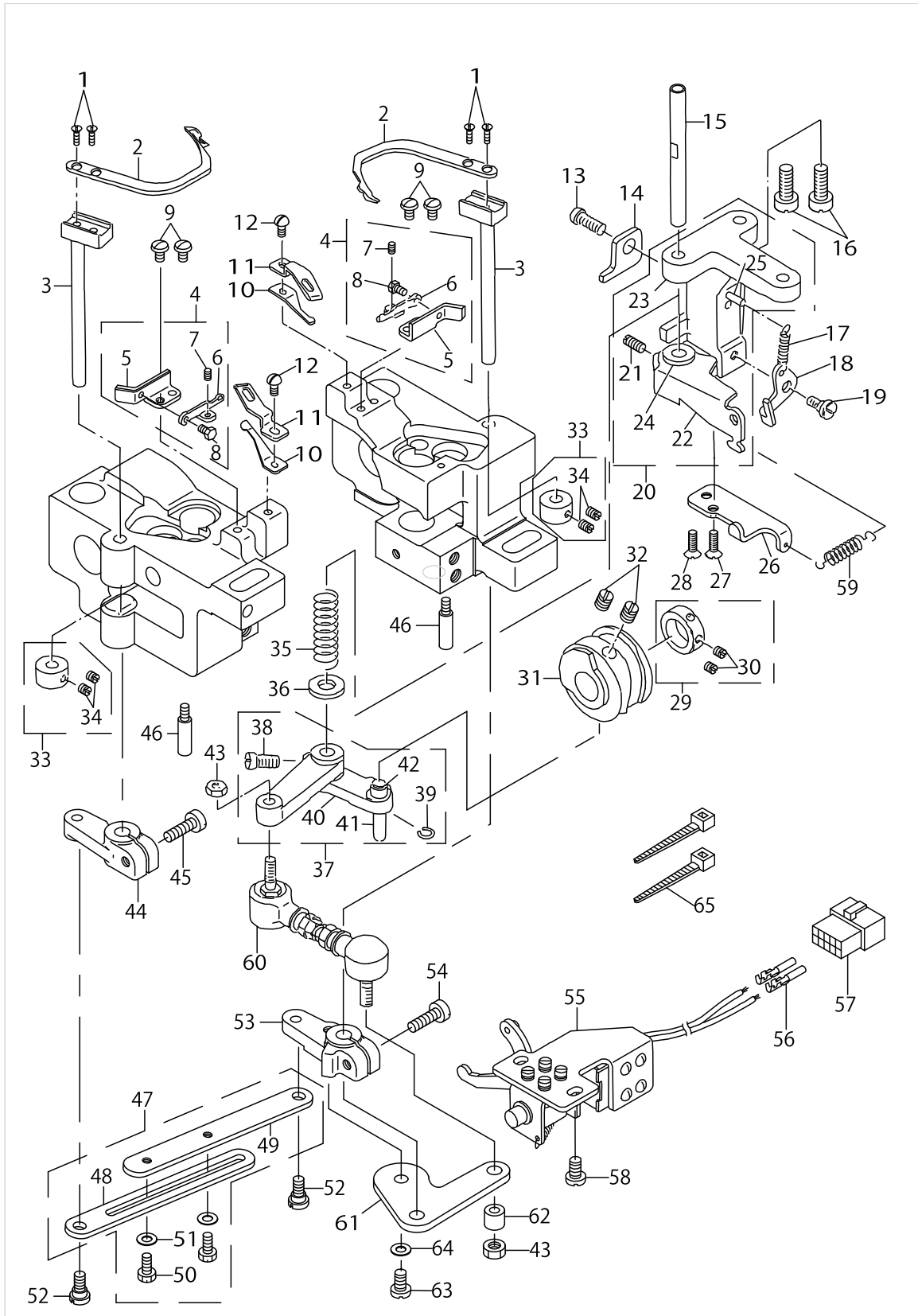
PRESSER BAR & TENSION RELEASE COMPONENTS



PRESSER BAR & TENSION RELESE COMPONENTS

No.	Supply Code	Parts No.	Replacement	Parts name	Remarks	Choice	Step	Level	Cons	Qty	Rep. QTY
42		22907109		PRESSER BAR BUSHING, LOWER	EXCHANGI- NG GAUGE PART (SEE P.32~35)					1	
43		10152957		PRESSER FOOT ASM. 1/4						1	
44		SS7090910TP		SCREW 9/64-40 L=8.5						1	
45		SS4110515SP		SCREW 11/64-40 L=5						1	

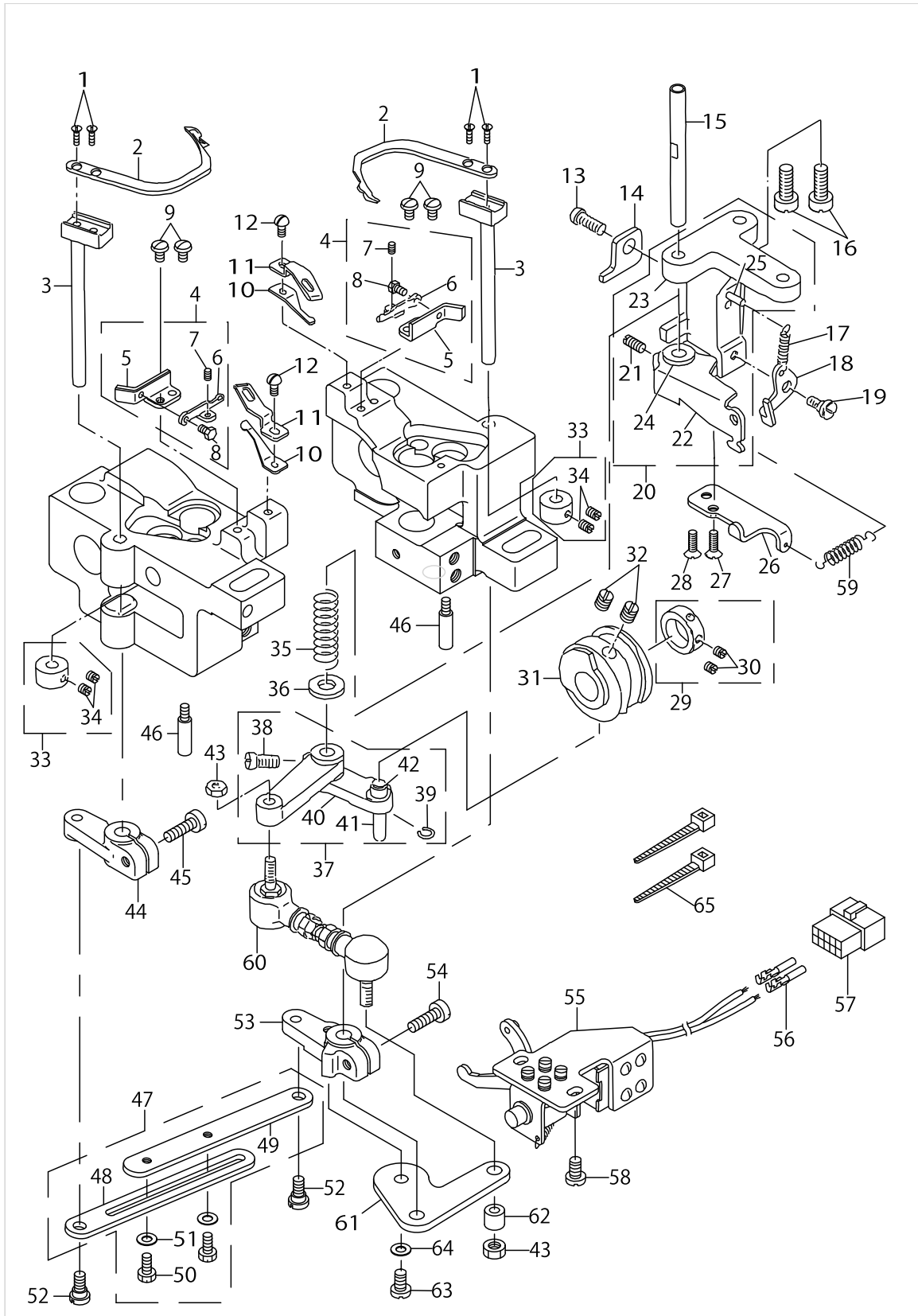
THREAD TRIMMER MECHANISM COMPONENTS



THREAD TRIMMER MECHANISM COMPONENTS

No.	Supply Code	Parts No.	Replacement	Parts name	Remarks	Choice	Step	Level	Cons	Qty	Rep. QTY
1		SS2080810SP		SCREW 1/8-44 L=7.5						4	
2		10211605		MOVING KNIFE						2	
3	D	10116051		MOVING KNIFE SHAFT ASM.						2	
4	D	22654255		MOVING KNIFE SUPPORT ASM.						2	
5		22654206		MOVING KNIFE SUPPORT PLATE				*		2	
6	D	10211407		THREAD PRESSER ADJUSTING PLATE				*		2	
7		SS8080610SP		SCREW 1/8-44 L=5.5				*		2	
8		SS9080410SP		SCREW 1/8-44 L=4.3				*		2	
9		SS5090610SP		SCREW 9/64-40 L=6						4	
10		22655401		THREAD PRESSER						2	
11		22655302		COUNTER KNIFE						2	
12		SS7090710SP		SCREW 9/64-40 L=6.8						2	
13		SS6121212TP		SCREW 3/16-28 L=12.0						1	
14		22654800		STOPPER, A						1	
15		10116804		SHAFT						1	
16		SS7151610SP		SCREW 15/64-28 L=16						2	
17		B3418180000		SPRING						1	
18	D	10117208		TENSION DISC RELEASE PLATE						1	
19		SD0600271SP		HINGE SCREW D=6 H=2.7						1	
20		22655153		LINK INSTALLING BASE ASM.						1	
21		SS8111010TP		SCREW 11/64-40 L=9.5				*		1	
22		22655104		TENSION DISC RELEASE ARM				*		1	
23		10116606		LINK INSTALLING BASE				*		1	
24		10117109		BUSHING				*		1	
25		PS0300201KP		SPRING PIN 3.0X20				*		1	
26		22654701		STOPPER PLATE						1	
27		SS2110920TP		SCREW 11/64-40 L=8.5						1	
28		SS2110930SP		SCREW 11/64-40 L=8.7						1	
29		CS1470710SH		THRUST COLLAR A-SM. D=14.72 W=7						1	
30		SS8110410TP		SCREW 11/64-40 L=3.5				*		2	
31	D	22654107		THREAD TRIMMER CAM						1	
32		SS8660810TP		SCREW 1/4-40 L=8						2	
33		CS070081BSH		THRUST COLLAR ASM. D=7 W=8						2	
34	R	SS8110510SP	SS8110520TP	SCREW 11/64-40 L=5				*		4	1.00
35		10116903		SPRING						1	
36		WP0753016SZ		WASHER 7.5X16.0X3.0						1	
37	D	10116754		CAM INSTALLING LINK ASM.						1	
38		SS6151220SP		SCREW 15/64-28 L=11.5				*		1	
39		D2430555B00		SNAP RING				*		1	
40	D	10116705		CAM INSTALLING LINK				*		1	
41	D	D2428555B00A		CAM ROLLER SHAFT				*		1	
42		D2427555B00B		CAM ROLLER				*		1	
43		NM6050001SP		NUT M5						2	
44	D	22654404		DRIVING ARM, LEFT						1	
45		SS6121610TP		SCREW 3/16-28 L=15.5						1	

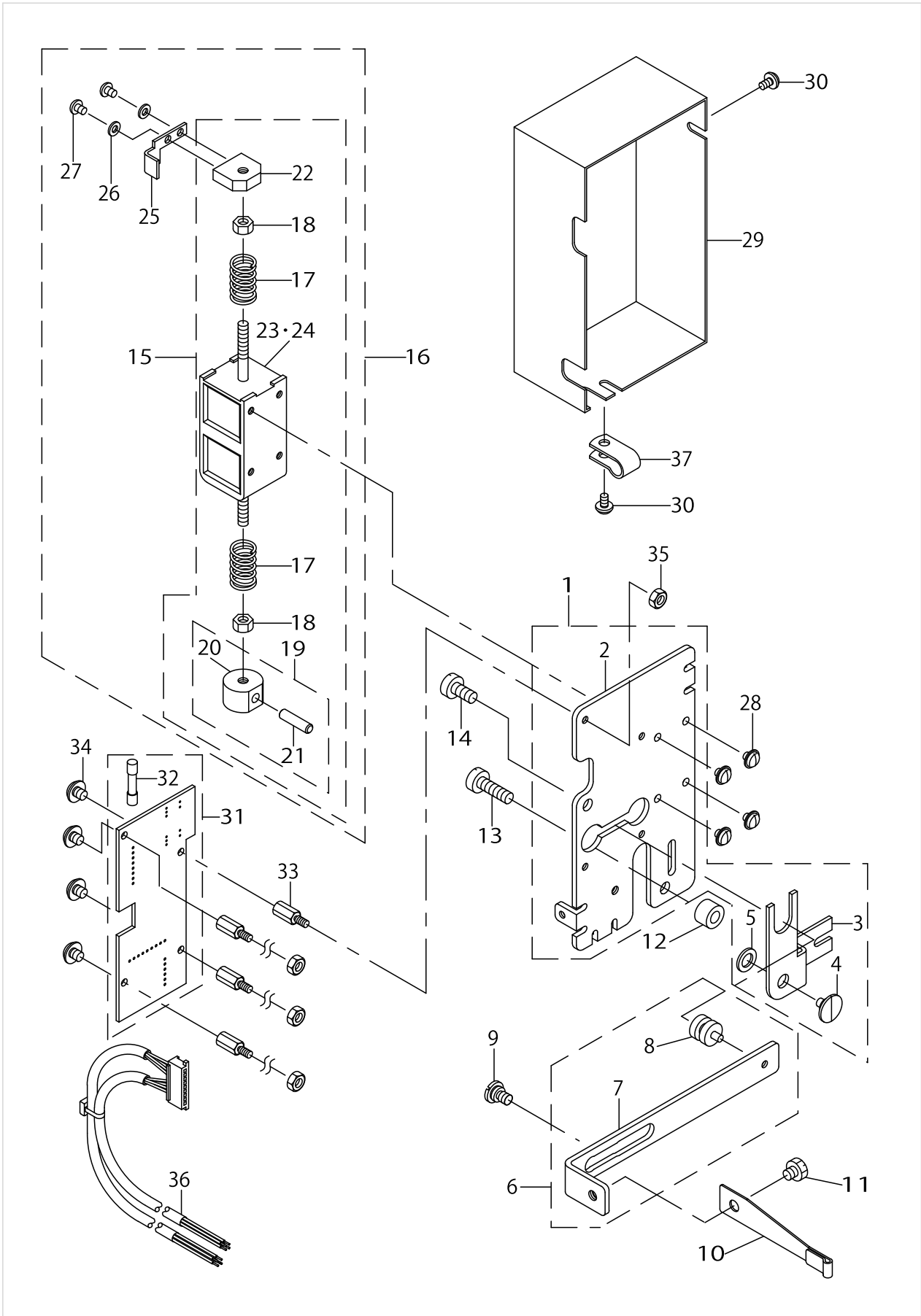
THREAD TRIMMER MECHANISM COMPONENTS



THREAD TRIMMER MECHANISM COMPONENTS

No.	Supply Code	Parts No.	Replacement	Parts name	Remarks	Choice	Step	Level	Cons	Qty	Rep. QTY
46		B1515051000		HAND LIFTER PIN						2	
47		22654552		CONNECTING LINK ASM.						1	
48		22654503		CONNECTING LINK, A				*		1	
49		22654602		CONNECTING LINK, B				*		1	
50		SS9111010SP		SCREW 11/64-40 L=9.5				*		2	
51		WP0501016SD		WASHER 5X10.5X1				*		2	
52		SD0650305TP		HINGE SCREW D= 6.5 H= 3						2	
53	D	22654305		DRIVING ARM, RIGHT						1	
54		SS6121610TP		SCREW 3/16-28 L=15.5						1	
55	D	10117851		SOLENOID ASM.						1	
56		HK03464000B		PIN CONTACT	FOR LH-3162-7					2	
57		HK034610140		HOUSING 14P	FOR LH-3162-7					1	
58		SS6151040SP		SCREW 15/64-28 L=10						2	
59		B3041980000		SPRING						1	
60		22655005		JOINT ROD						1	
61	D	22654008		DRIVING ARM PLATE						1	
62		B3417051000		REAR LIFTING BAR ROLLER						1	
63		SS6120940SP		SCREW 3/16-28 L=9						1	
64		WP0501016SD		WASHER 5X10.5X1						1	
65		EA9500B0100		CABLE BAND						2	

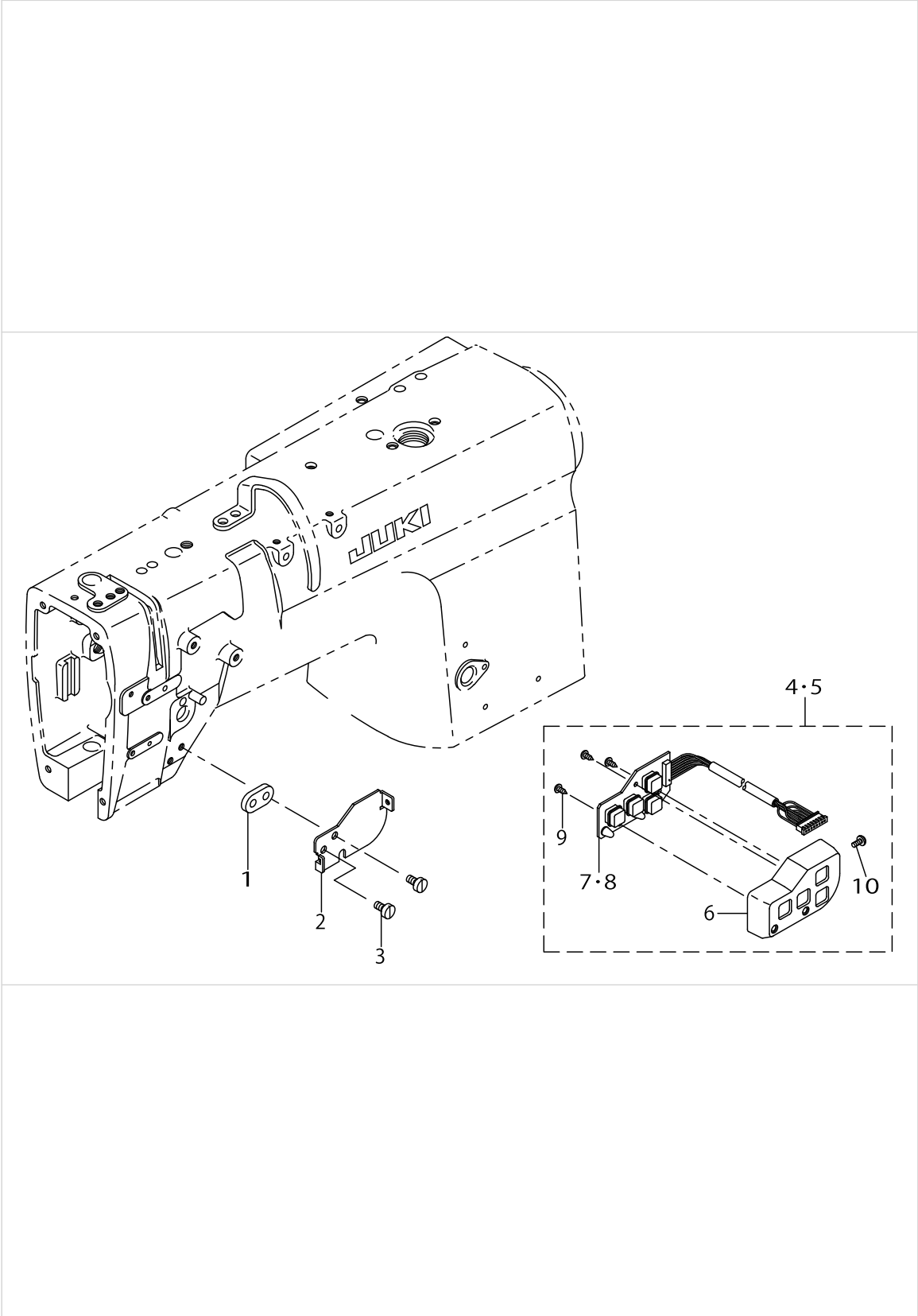
AUTOMATIC CHANGE-OVER DEVICE COMPONENTS (1)



AUTOMATIC CHANGE-OVER DEVICE COMPONENTS (1)

No.	Supply Code	Parts No.	Replacement	Parts name	Remarks	Choice	Step	Level	Cons	Qty	Rep. QTY
1		22795157		TRANSFORM SOLENOID BASE ASM.						1	
2		22795108		TRANSFORM SOLENOID BASE				*		1	
3		22795207		TRANSFORM ARM				*		1	
4		SD0600281TP		HINGE SCREW H=6 W=2.7				*		1	
5		WP0621016SD		WASHER 6.2X13X1				*		1	
6		22795355		TRANSFORM PLATE ASM.						1	
7	R	22795306	22795355	TRANSFORM PLATE				*		1	1.00
8		22795405		TRANSFORM SHAFT A				*		1	
9		SD0640231SP		HINGE SCREW D= 6.35 H= 2.3						1	
10		22687008		LEAF SPRING						1	
11		SS9110460CP		SCREW 11/64-40 L=4						1	
12		22795900		TRANSFORM SOLENOID BASE						1	
13		SS6121010SP		SCREW 3/16-28 L=10						1	
14		SS6121610SP		SCREW 3/16-28 L=15.5						1	
15		22796551		TRANSFORM SOLENOID UNIT B ASM.	FOR LH-3162-7					1	
16		22790356		TRANSFORM SOLENOID UNIT A ASM.	FOR LH-3162-4					1	
17		22795603		TRANSFORM SPRING B				*		2	
18		NM6040001SD		NUT M4				*		2	
19		22795553		TRANSFORM SPRING BASE A ASM.				*		1	
20		22795504		TRANSFORM SPRING BASE A				*		1	
21		B1505804000		HINGE SHAFT				*		1	
22		22795702		TRANSFORM SPRING BASE B				*		1	
23		22792956		TRANSFORM RACH SOLENOID A ASM.	FOR LH-3162-4			*		1	
24	D	22797757		TRANSFORM RACH SOLENOID B ASM.	FOR LH-3162-7			*		1	
25		22790000		CROSSWISE SENSOR PLATE	FOR LH-3162-4			*		1	
26		WS0310002KN		SPRING WASHER M3	FOR LH-3162-4			*		2	
27		SM4030401SC		SCREW M3X0.5 L=4	FOR LH-3162-4			*		2	
28		SL4030681SC		SCREW M3 L=6						4	
29	D	22795801		TRANSFORM COVER						1	
30		SL4031091SC		SCREW M3 X 10						2	
31		22792550		CHANGING CIRCUIT BOARD ASM.	FOR LH-3162-4					1	
32		HF0041010S0		FUSE	FOR LH-3162-4			*		1	
33		HX00056000B		SPACER	FOR LH-3162-4					4	
34		SL4030681SC		SCREW M3 L=6	FOR LH-3162-4					4	
35		NM6030001SC		NUT M3	FOR LH-3162-4					4	
36	D	22792659		TRANSFORM DEVISE CORD ASM.	FOR LH-3162-4					1	
37		D2120555C00		CORD PRESSER (120V)	FOR LH-3162-7					1	

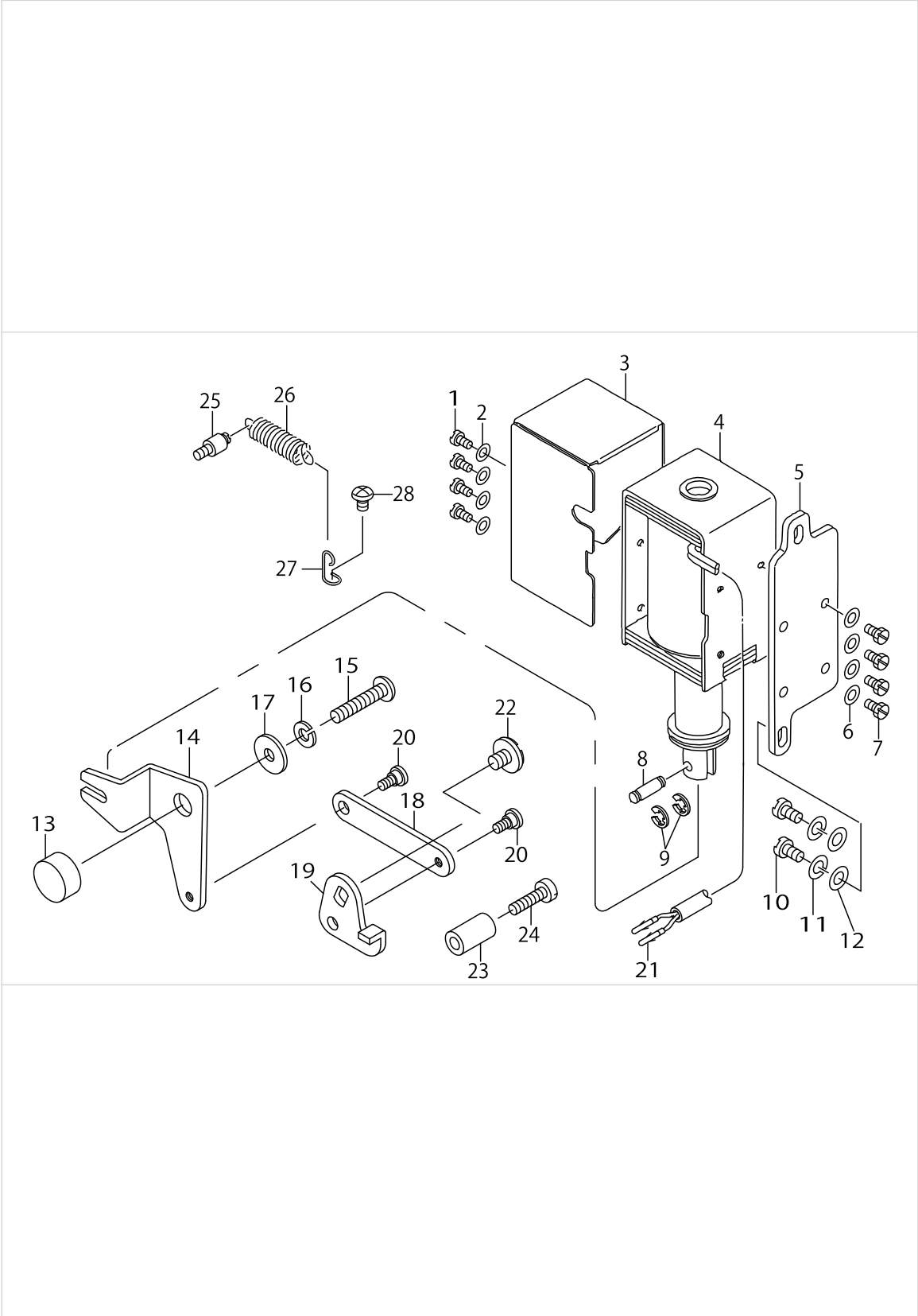
AUTOMATIC CHANGE-OVER DEVICE COMPONENTS (2)



AUTOMATIC CHANGE-OVER DEVICE COMPONENTS (2)

No.	Supply Code	Parts No.	Replacement	Parts name	Remarks	Choice	Step	Level	Cons	Qty	Rep. QTY
1		22796908		CASE						1	
2	D	22796809		CASE FITTING PLATE						1	
3		SS6120940SP		SCREW 3/16-28 L=9						2	
4		22790455		OPERATION SWITCH CASE A ASM.	FOR LH-3162-4					1	
5		22796759		OPERATION SWITCH CASE B ASM.	FOR LH-3162-7					1	
6	D	22796700		OPERATION SWITCH CASE				*		1	
7	D	22792758		OPERATION SWITCH PCB A ASM.	FOR LH-3162-4			*		1	
8		22797559		OPERATION SWITCH PCB B ASM.	FOR LH-3162-7			*		1	
9		ST4030851SN		SCREW				*		3	
10		SL4030681SC		SCREW M3 L=6				*		1	

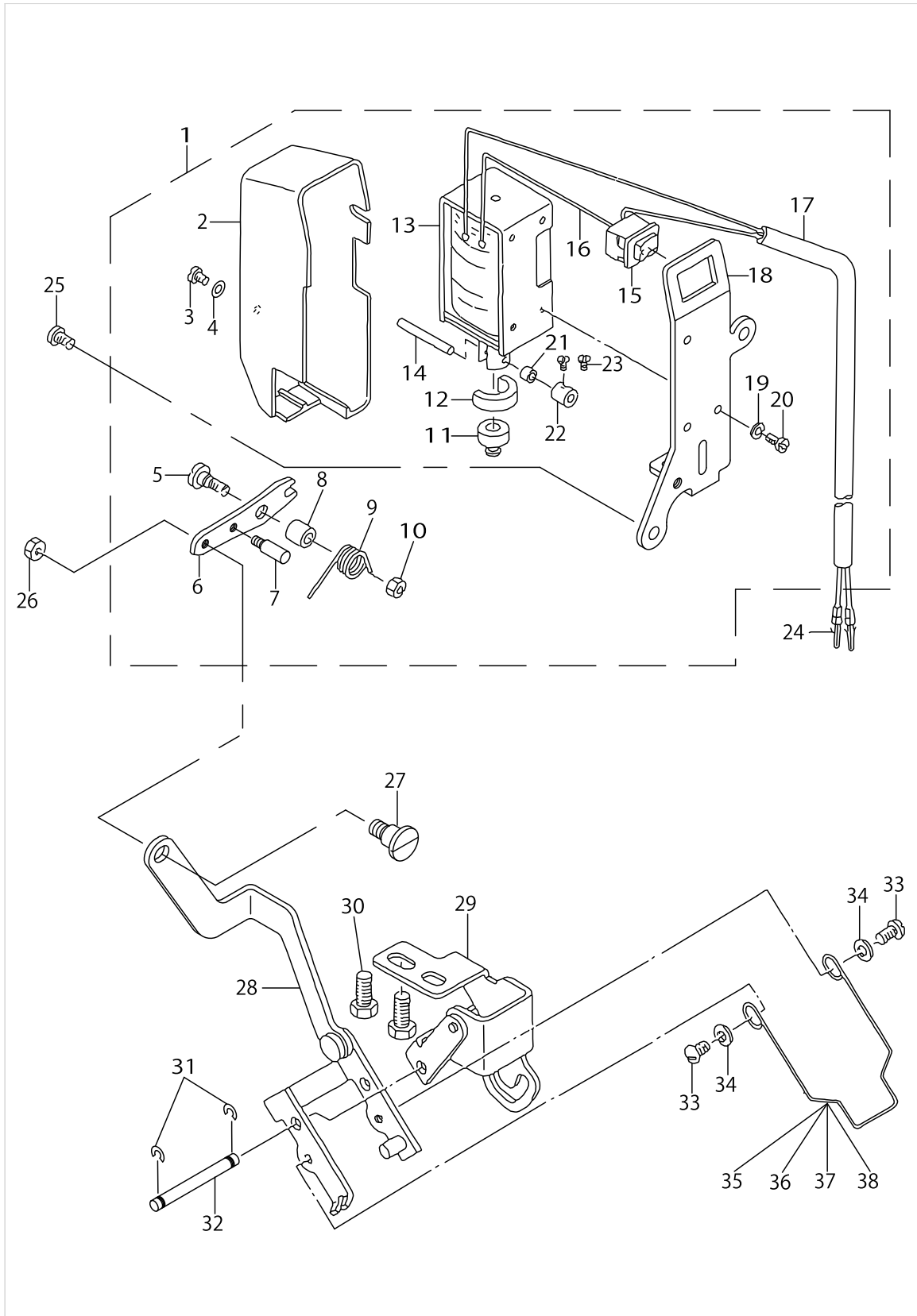
AUTOMATIC REVERSE FEED MECHANISM COMPONENTS



AUTOMATIC REVERSE FEED MECHANISM COMPONENTS

No.	Supply Code	Parts No.	Replacement	Parts name	Remarks	Choice	Step	Level	Cons	Qty	Rep. QTY
1		SS7110710SP		SCREW 11/64-40 L=7						4	
2		WP0501016SD		WASHER 5X10.5X1						4	
3		10161305		SOLENOID COVER						1	
4		10119105		REVERSE FEED SOLENOID, AC24V						1	
5		10119204		SOLENOID INSTALLING PLATE						1	
6		WP0501016SD		WASHER 5X10.5X1						4	
7		SS9111010SP		SCREW 11/64-40 L=9.5						4	
8		D2464555B00		LINK DRIVING MAGNET PIN						1	
9		RE0400000K0		E-RING 4						2	
10		SS7151210SP		SCREW 15/64-28 L=12						2	
11		WS0631510KP		SPRING WASHER						2	
12		WP0621016SD		WASHER 6.2X13X1						2	
13	D	22656409		LINK FULCULUM						1	
14		22656300		REVERSE FEED LINK, L						1	
15		SS4153015SP		PAN-SCREW 15/64-28 L=30						1	
16		WS0610002KP		SPRING WASHER						1	
17		WP0612056SD		WASHER 6.1X18.5X2						1	
18		22656201		REVERSE FEED LINK, (2)						1	
19		22656102		REVERSE FEED LINK, (1)						1	
20		SD0640321SP		HINGE SCREW D= 6.35 H= 3.2						2	
21		HK03464000B		PIN CONTACT	FOR LH-3162-7					2	
22		SS7120760SP		SCREW 3/16-28 L=7.0	FOR -WB,-0B					1	
23	R	11100500	22952501	REVERSE FEED LEVER STOPPER	FOR -WB,-0B					1	1.00
24		SS6121840SP		SCREW 3/16-28 L=18	FOR -WB,-0B					1	
25	R	B1506352000	26226407	TENSION SPRING RACK B						1	1.00
26	R	13515606	26226209	SPRING						1	1.00
27		22656003		SPRINGSUSPENSION	SELECTIVE PART					1	
28		SS4120615SP		SCREW 3/16-28 L=6						1	

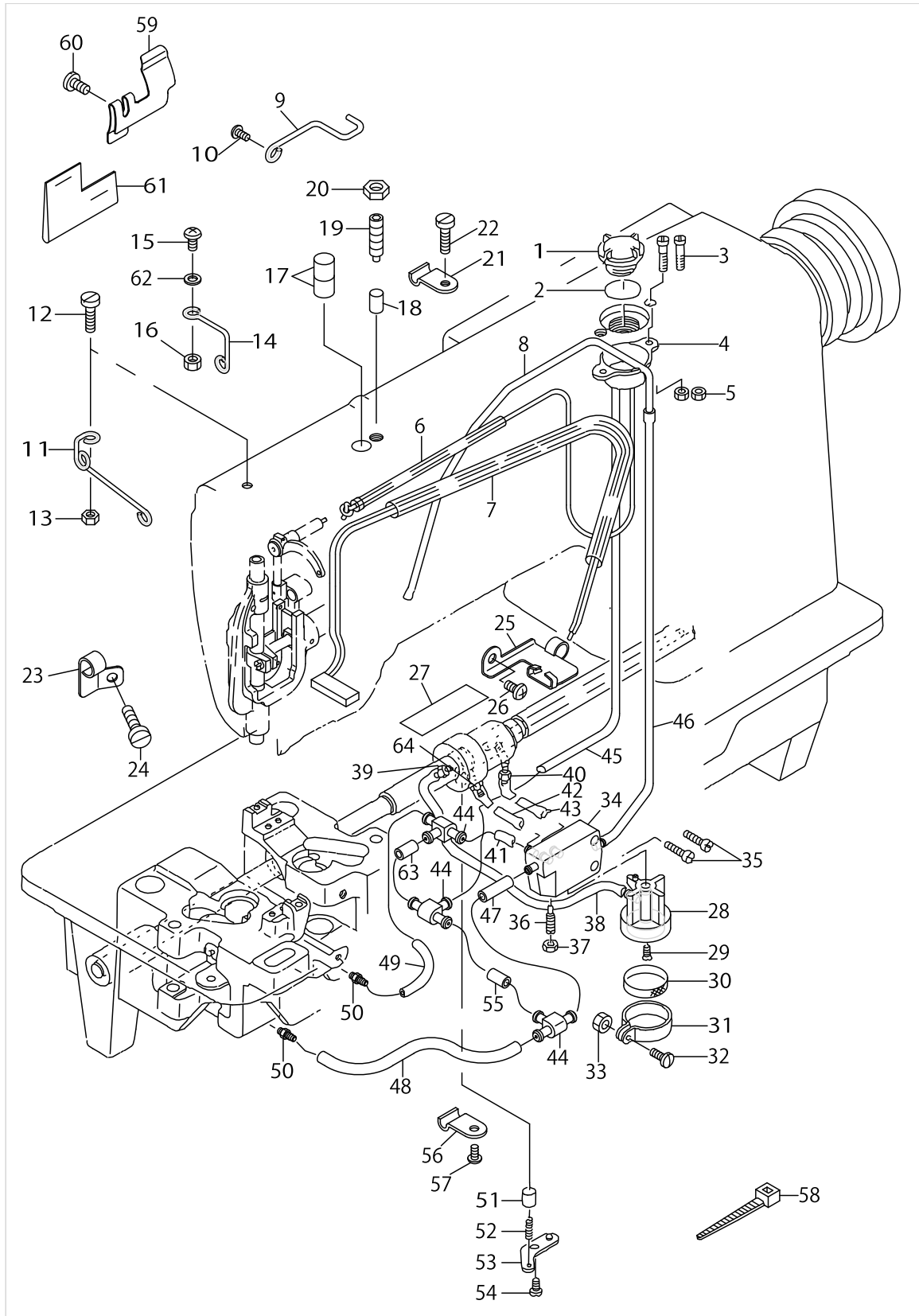
WIPER MECHANISM COMPONENTS



WIPER MECHANISM COMPONENTS

No.	Supply Code	Parts No.	Replacement	Parts name	Remarks	Choice	Step	Level	Cons	Qty	Rep. QTY
1		22657159		WIPER SOLENOID ASM.						1	
2	R	11072709	22955504	WIPER COVER				*		1	1.00
3		SM4030601SN		SCREW M3 X 6				*		1	
4		WP0320501SC		WASHER M3				*		1	
5		SD0650321TP		HINGE SCREW D=6.5 H=3.2				*		1	
6		22657209		WIPER LINK, A				*		1	
7	R	B2024771000	40009196	SUSPENSION SCREW				*		1	1.00
8	R	11110707	22956205	WIPER HINGE SCREW COLLAR				*		1	1.00
9		22657308		WIPER SPRING				*		1	
10		NS6110310SP		NUT 11/64-40				*		1	
11	R	11110400	22955900	WIPER RUBBER A				*		1	1.00
12	R	11110509	22956007	WIPER RUBBER B				*		1	1.00
13	R	11110301	40106936	WIPER SOLENOID				*		1	1.00
14		11111705		WIPER SOLENOID PIN				*		1	
15		HA000590000		POWER SWITCH				*		1	
16		HW200390000		ELECTRIC WIRE				*		0.04	
17		HW500070000		2-CORE CABTYRE CORD				*		1.4	
18	D	22657100		WIPER SOLENOID BASE				*		1	
19		WS0310002KN		SPRING WASHER M3				*		3	
20		SM4030601SN		SCREW M3 X 6				*		3	
21	R	11111804	22957203	WIPER LINK COLLAR				*		1	1.00
22	R	CS0300711SP	CS030071ASP	THRUST COLLAR				*		1	1.00
23		SS6080320SP		SCREW 1/8-44 L= 2.5				*		2	
24		HK03464000B		PIN CONTACT	FOR LH-3162-7					2	
25		SS4120615SP		SCREW 3/16-28 L=6						2	
26		NS6090310SP		NUT 9/64-40						1	
27		SD0500301SP		HINGE SCREW D= 5 H= 3						1	
28		22657050		WIPER LINK ASM., 2						1	
29		10208551		WIPER BASE ASM.						1	
30		SS9111010SP		SCREW 11/64-40 L=9.5						2	
31		RE0320000K0		E-RING 3.2						2	
32		10208700		WIPER LINK SHAFT						1	
33		SS3090520SP		SCREW 9/64-40 L=4.5						2	
34		WP0371016SD		WASHER 3.7X8X1						2	
35		10209203		WIPER 3/32"-3/8	SELECTIVE PART					1	
36		10209500		WIPER	SELECTIVE PART					1	
37		10209807		WIPER	SELECTIVE PART					1	
38		10209906		WIPER	SELECTIVE PART					1	

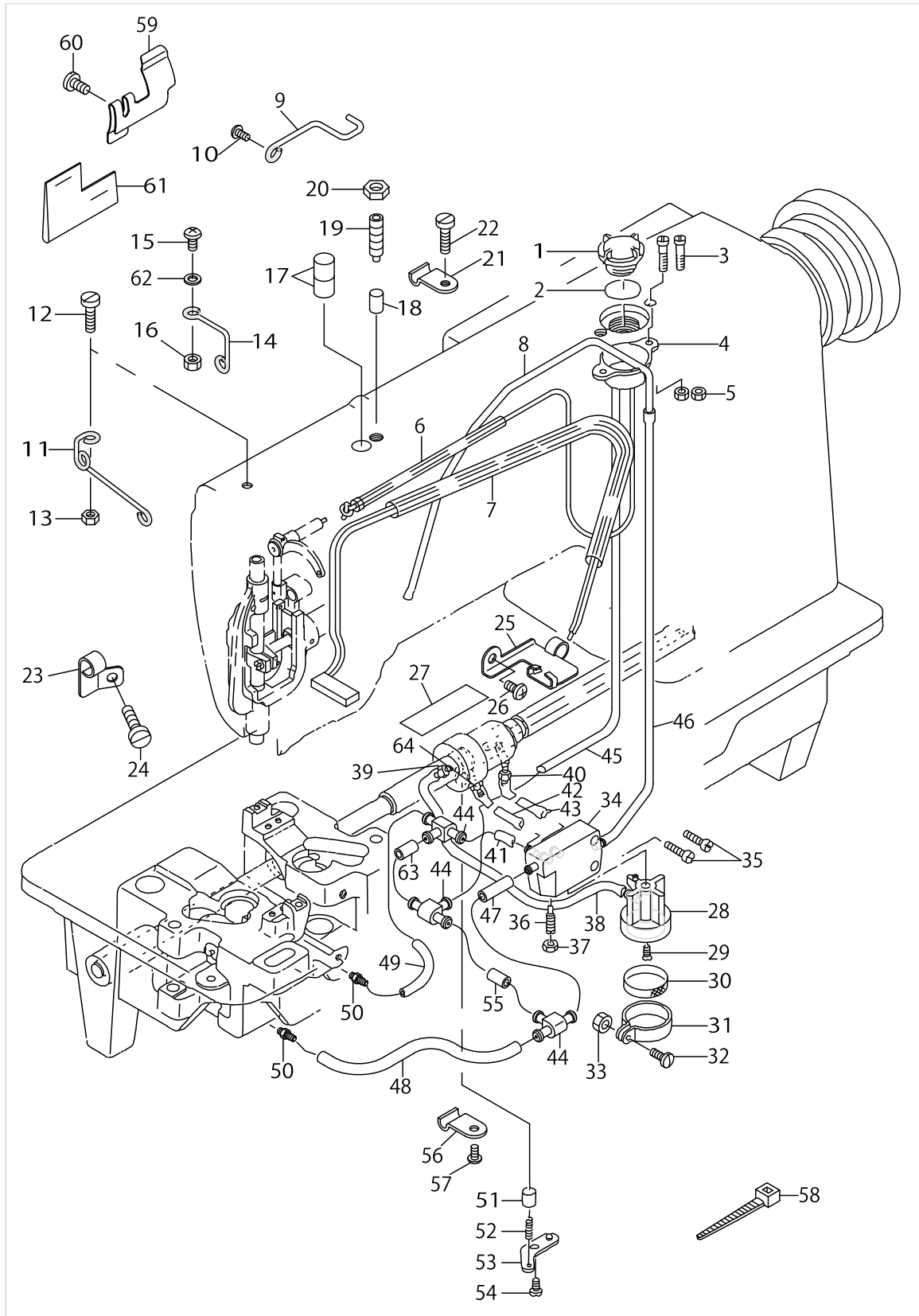
LUBRICATION COMPONENTS



LUBRICATION COMPONENTS

No.	Supply Code	Parts No.	Replacement	Parts name	Remarks	Choice	Step	Level	Cons	Qty	Rep. QTY
1	R	B3530555000	22924708	OIL SIGHT WINDOW						1	1.00
2		RO195240100		RUBBER RING						1	
3		SS4111815SP		SCREW 11/64 L=18						2	
4		10216703		OIL TANK						1	
5		NS6110310SN		NUT 11/64-40						2	
6		22620355		OIL PIPE ASM.						1	
7		22620454		FELT ASM.						1	
8		22620702		OIL TUBE						1	
9	D	22620108		PIPE HOLDER, B						1	
10		SS4110715SP		SCREW 11/64-40 L=7						1	
11	R	22619209	40017055	OIL WICK GUIDE						1	1.00
12		SS6121610SP		SCREW 3/16-28 L=15.5						1	
13		NS6120310SP		NUT 3/16-28						1	
14		22620504		OIL WICK HOLDER						1	
15		SS4111215SP		SCREW 11/64-40 L=12						1	
16		NS6110420SP		NUT 11/64-40						1	
17		B3517009000		OIL FELT REAR						2	
18	D	22619415		OIL ADJUSTING SHAFT						1	
19		SS8701782TP		SCREW 5/16-24 L=17.0						1	
20		NS6700420SP		NUT 5/16-24						1	
21		22620801		PIPE HOLDER						1	
22		SS6111610SP		SCREW 11/64-40 L=16						1	
23		22619902		PIPE HOLDER						1	
24		SS4110615SP		SCREW 11/64-40 L=6						1	
25	D	22619803		VILENE HOLDER						1	
26		SS4110715SP		SCREW 11/64-40 L=7						1	
27		22619605		VILENE						1	
28	D	22619001		SUCTION						1	
29		SS2110930SP		SCREW 11/64-40 L=8.7						1	
30		B1851512000		FILTER SCREEN						1	
31	R	B1850512000	40009379	BUSHING HOLDER						1	1.00
32	R	SS7090910SP	SS7090910TP	SCREW 9/64-40 L=8.5						1	1.00
33		NS6090310SP		NUT 9/64-40						1	
34		10623403		BASE						1	
35		SS6111610SP		SCREW 11/64-40 L=16						2	
36		B1834512000A		OIL ADJUSTING SCREW						1	
37		NS6110310SP		NUT 11/64-40						1	
38		23630007		TUBE						.12	
39		SQ1150451MZ		CONNECTING SCREW						1	
40		SQ1110401MZ		CONNECTING SCREW						1	
41		23630007		TUBE						.02	
42		23630007		TUBE						.08	
43		23630007		TUBE						.09	
44		13765607		OIL CONNec. ARM						3	
45		23630007		TUBE						.51	
46		23630007		TUBE						.4	

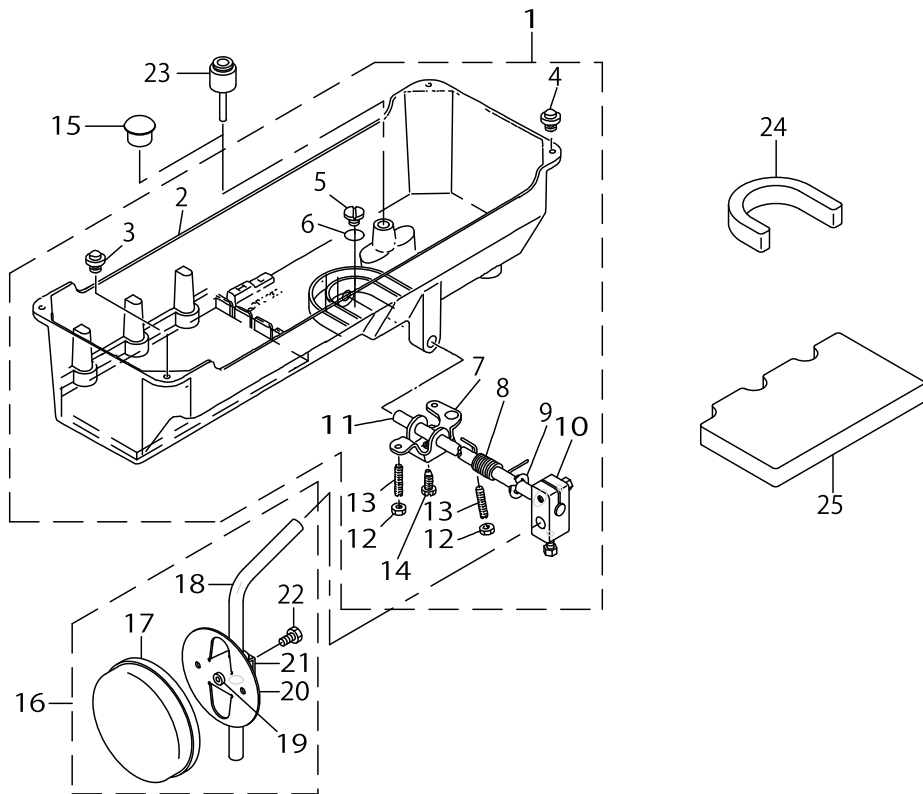
LUBRICATION COMPONENTS



LUBRICATION COMPONENTS

No.	Supply Code	Parts No.	Replacement	Parts name	Remarks	Choice	Step	Level	Cons	Qty	Rep. QTY
47		23630007		TUBE						.05	
48		23630007		TUBE						.21	
49		23630007		TUBE						.15	
50		SQ1110401MZ		CONNECTING SCREW						2	
51		B3534155000		PLUNGER						1	
52		B1214038000		PLUNGER SPRING						1	
53		B3524552000		PLUNGER THRUST PLATE						1	
54		SS4110815SP		SCREW 11/64-40 L=8						1	
55		23630007		TUBE						.01	
56		B3538112000		OIL RETURN TUBE HOLDER						1	
57		SS4110815SP		SCREW 11/64-40 L=8						1	
58		EA9500B0100		CABLE BAND						1	
59		23204803		LUBRICATING GUIDE						1	
60		SS7090610SP		SCREW 9/64-40 L=6						1	
61	D	22686455		NEEDLE BAR						1	
62		B3534012000		GASKET						1	
63		23630007		TUBE						.01	
64		22619704		OILING JOINT						1	

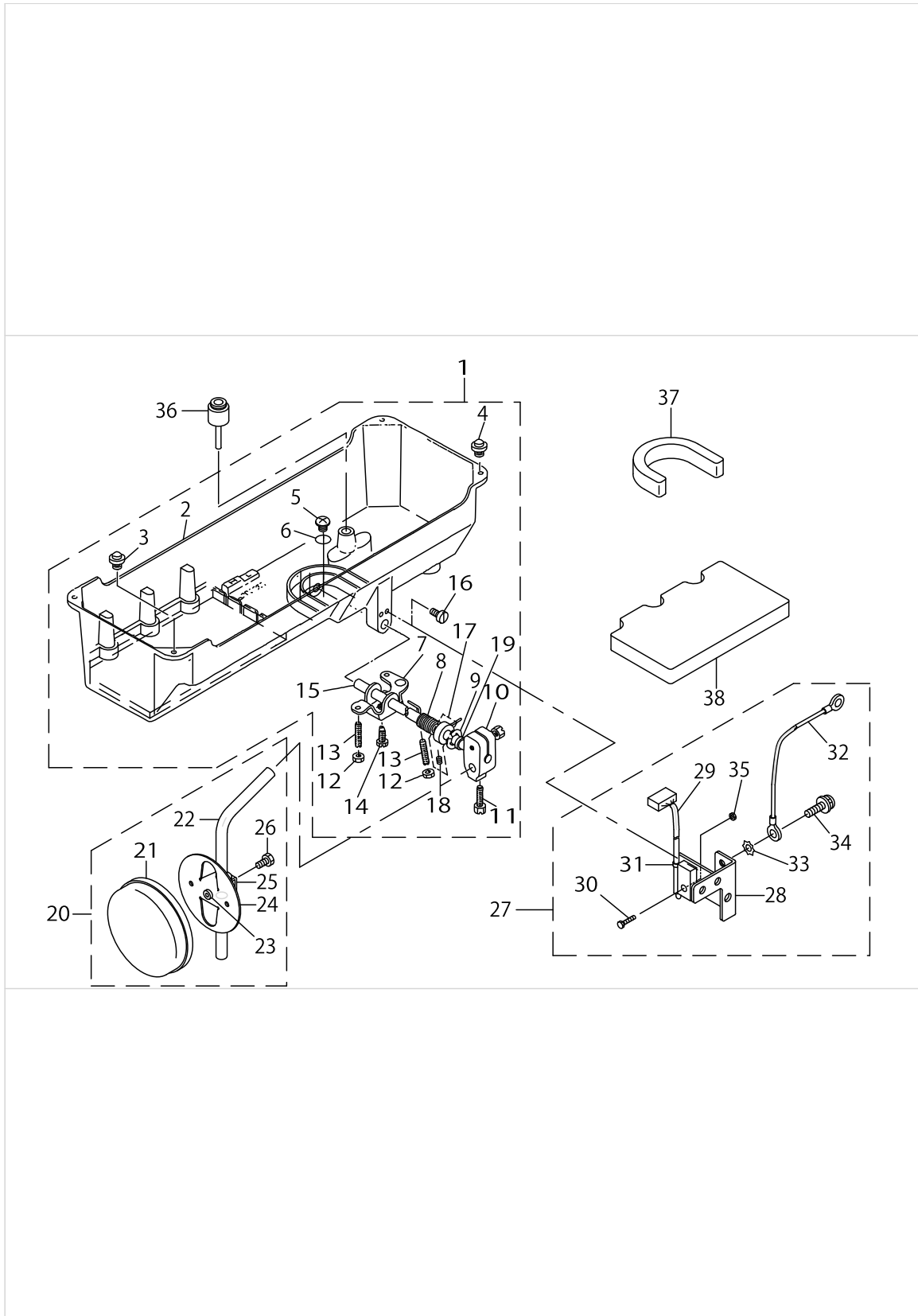
OIL RESERVOIR & KNEE LIFTER COMPONENTS (WITH AK DEVICE)



OIL RESERVOIR & KNEE LIFTER COMPONENTS (WITH AK DEVICE)

No.	Supply Code	Parts No.	Replacement	Parts name	Remarks	Choice	Step	Level	Cons	Qty	Rep. QTY
1		10162253		OIL RESERVOIR ASM.						1	
2	R	10162204	10162253	OIL RESERVOIR				*		1	1.00
3		10162600		RUBBER CUSHION				*		2	
4		11047107		RUBBER CUSHION				*		2	
5		SM0081001SD		SCREW				*		1	
6		RO098240100		RUBBER RING				*		1	
7	R	11024015	22932156	CONNECTING ROT, VERTICAL				*		1	1.00
8	R	11024106	22932206	SPRING				*		1	1.00
9		RE1000000K0		E-RING 10				*		1	
10		22932453		BRACKET ASM.				*		1	
11	R	11024205	22932305	KNEE PRESS ROD				*		1	1.00
12		NM6060001SE		NUT M6				*		2	
13		SM8063012TR		SCREW M6 L=30				*		2	
14		SM9061853SR		SCREW M6 L=17.5				*		1	
15		GAK33070000		OIL DRAIN CAP						1	
16		22934251		KNEE PAD PLATE ASM.	FOR THE DESTINATION					1	
17		22934509		KNEE PAD PLATE COVER				*		1	
18		22934608		KNEE PAD UPRIGHT SHAFT				*		1	
19		22934400		KNEE PAD PLATE RUBBER				*		1	
20		22934202		KNEE PAD PLATE				*		1	
21		22934301		KNEE PAD PLATE SUPPORT				*		1	
22		SM9061203SE		SCREW M6 L=12				*		1	
23	R	11024304	22931703	KNEE PRESS LIFTER ROD	FOR THE DESTINATION					1	1.00
24		22622005		OIL RESERVOIR SPACER, A						1	
25		22622104		OIL RESERVOIR SPACER, B						1	

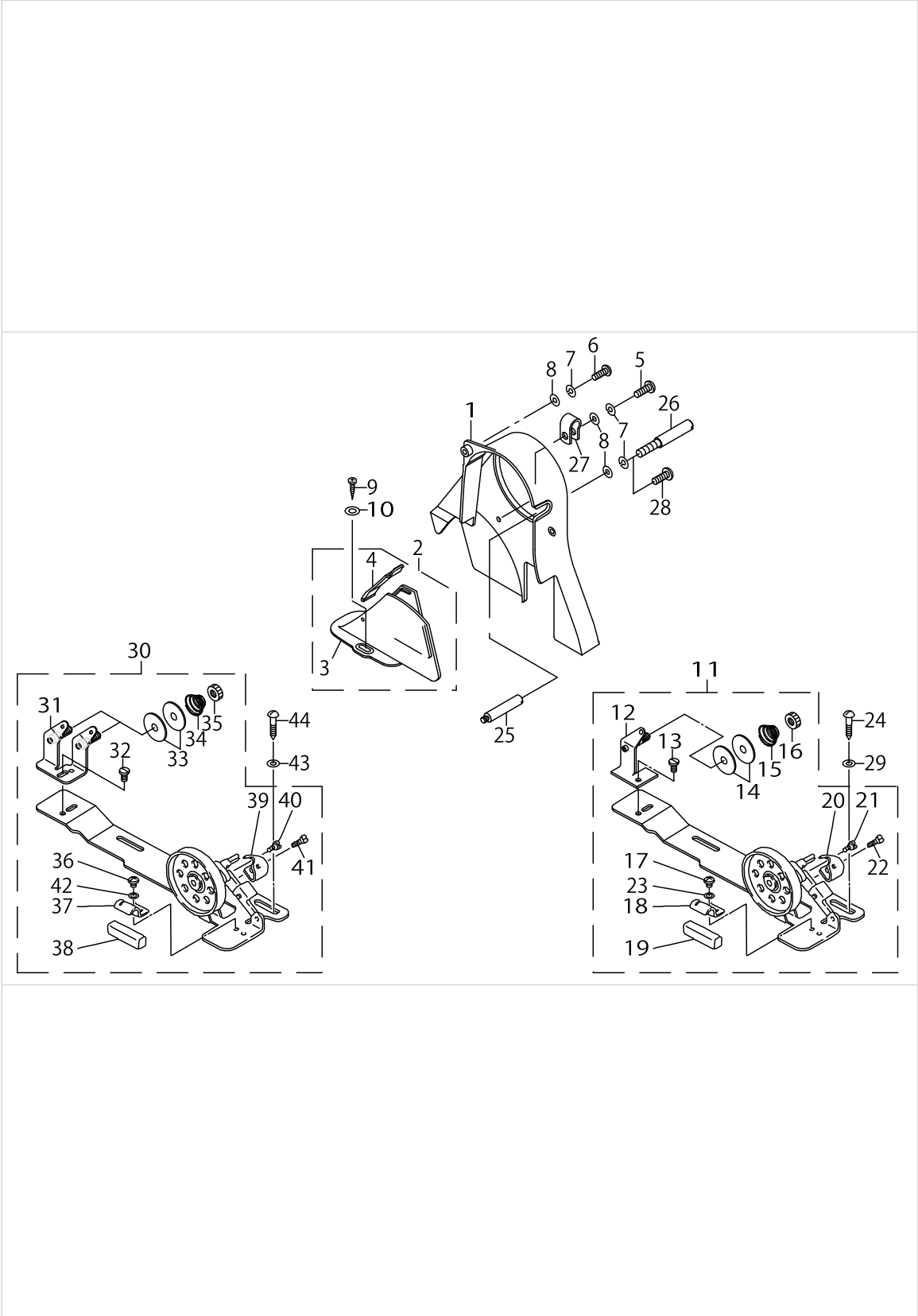
OIL RESERVOIR & KNEE LIFTER COMPONENTS (WITHOUT AK DEVICE,-7 ONLY)



OIL RESERVOIR & KNEE LIFTER COMPONENTS (WITHOUT AK DEVICE,-7 ONLY)

No.	Supply Code	Parts No.	Replacement	Parts name	Remarks	Choice	Step	Level	Cons	Qty	Rep. QTY
1		22796254		OIL RESERVOIR ASM.						1	
2		22796205		OIL RESERVOIR				*		1	
3		10162600		RUBBER CUSHION				*		2	
4		11047107		RUBBER CUSHION				*		2	
5		SM0081001SD		SCREW				*		1	
6		RO098240100		RUBBER RING				*		1	
7	R	11024015	22932156	CONNECTING ROT, VERTICAL				*		1	1.00
8	R	11024106	22932206	SPRING				*		1	1.00
9		RE1000000K0		E-RING 10				*		1	
10	R	11024510	22932453	BRACKET				*		1	1.00
11	R	SM9062053SR	22934707	SCREW M6 L=20				*		2	1.00
12		NM6060001SE		NUT M6				*		2	
13		SM8063012TR		SCREW M6 L=30				*		2	
14		SM9061853SR		SCREW M6 L=17.5				*		1	
15	R	11024205	22932305	KNEE PRESS ROD				*		1	1.00
16		SM6040800SP		SCREW				*		2	
17		22798755		KNEE LIFTING RETRIEVAL BASE.				*		1	
18		22798607		SENSING BASE WASHER				*		1	
19		SM8060812TP		SCREW M6 L=8				*		1	
20		22934251		KNEE PAD PLATE ASM.						1	
21		22934509		KNEE PAD PLATE COVER				*		1	
22		22934608		KNEE PAD UPRIGHT SHAFT				*		1	
23		22934400		KNEE PAD PLATE RUBBER				*		1	
24		22934202		KNEE PAD PLATE				*		1	
25		22934301		KNEE PAD PLATE SUPPORT				*		1	
26		SM9061203SE		SCREW M6 L=12				*		1	
27		22796155		SENSOR PLATE ASM.						1	
28		22796106		SENSOR PLATE				*		1	
29		22798151		SENSOR ASM.				*		1	
30		10621803		MOUNTING SCREW				*		1	
31		EA9500B0000		CLIP CV-70S				*		1	
32		22798359		GROUND WIRE ASM.				*		1	
33		WT0430002KN		WASHER M4				*		1	
34		SL4040891SC		SCREW M4 L=8				*		1	
35		NM6020001SC		NUT M2				*		1	
36	R	11024304	22931703	KNEE PRESS LIFTER ROD						1	1.00
37		22622005		OIL RESERVOIR SPACER, A						1	
38		22622104		OIL RESERVOIR SPACER, B						1	

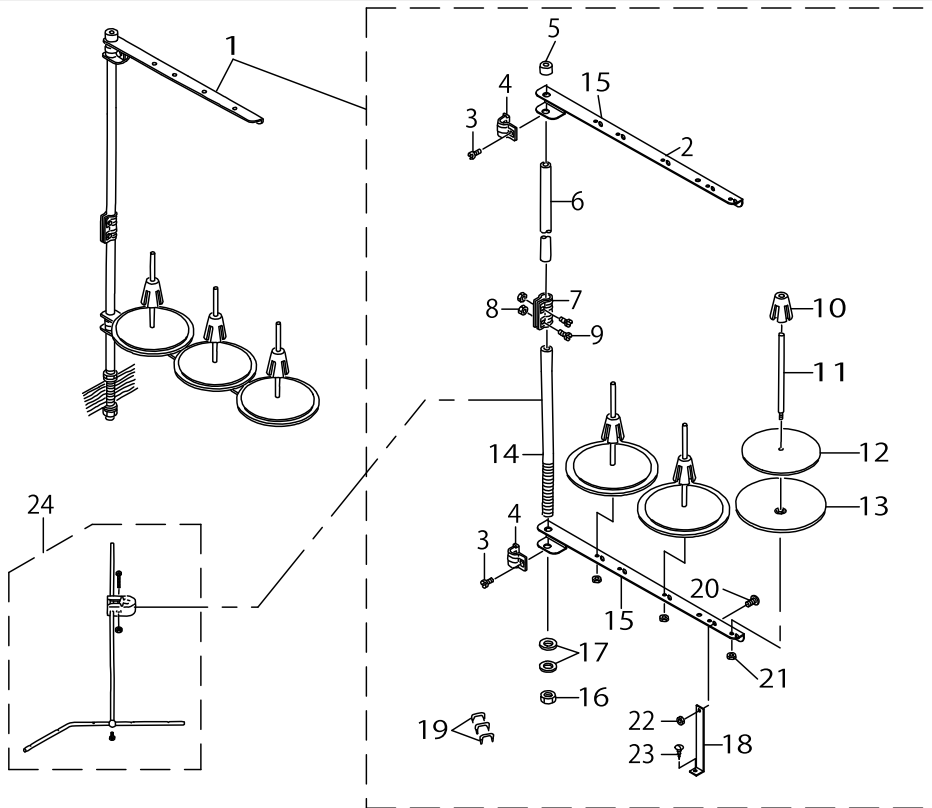
BELT COVER & BOBBIN WINDER COMPONENTS



BELT COVER & BOBBIN WINDER COMPONENTS

No.	Supply Code	Parts No.	Replacement	Parts name	Remarks	Choice	Step	Level	Cons	Qty	Rep. QTY
1	D	22603401		BELT COVER A ASM.						1	
2	R	11076858	22933659	BELT COVER B ASM.						1	1.00
3	R	11076809	22933659	BELT COVER B				*		1	1.00
4	R	11076957	22933659	BELT COVER B CAP ASM.				*		1	1.00
5		SS4111215SP		SCREW 11/64-40L=12						1	
6		SS6121610SP		SCREW 3/16-28 L=15.5						1	
7		WS0451040KP		SPRING WASHER 4.5X8.5X1						3	
8		WP0501016SD		WASHER 5X10.5X1						3	
9	R	SK3412000SC	SK3412000SE	WOOD SCREW D=4.1 L=20						2	1.00
10		WP0501016SC		WASHER 5X10.5X1						2	
11	R	11077567	22927354	BOBBIN WINDER COMPL.						1	1.00
12		11078250		THREAD TENSION BRACKET ASM.				*		1	
13		SS7110840SP		SCREW 11/64-40 L=7.8				*		1	
14	R	B3126012000	22921506	THREAD TENSION DISK				*		2	1.00
15	R	B3129012B00	22929004	THREAD TENSION SPRING				*		1	1.00
16	R	B3125012000	22928808	THREAD TENSION NUT				*		1	1.00
17		SS4110515SP		SCREW 11/64-40 L=5				*		1	
18		11078102		PRESSER PLATE				*		1	
19		B3211555000		RUBBER BRAKE				*		1	
20		11078003		POSITIONING FINGER				*		1	
21		SD0490261SP		HINGE SCREW D=4.9 H=2.6				*		1	
22		SS7081310SP		SCREW 1/8-44 L=12.5				*		1	
23		WP0480856SP		WASHER 4.8X8.4X0.8				*		1	
24	R	SK3482500SC	SK3482501SE	WOOD SCREW D=4.8 L=25						2	1.00
25		B8233555000		BELT COVER SUPPORT STUD						2	
26		22790505		SENSOR SUPPORT SHAFT B						1	
27		D2120555C00		CORD PRESSER (120V)						1	
28		SS4111215SP		SCREW 11/64-40L=12						1	
29		WP0501016SC		WASHER 5X10.5X1						2	
30		22621155		THREAD WINDER ASM.	FOR JE					1	
31		22621056		TENSION BAR BASE				*		1	
32		SS7110840SP		SCREW 11/64-40 L=7.8				*		1	
33	R	B3126012000	22921506	THREAD TENSION DISK				*		4	1.00
34	R	B3129012B00	22929004	THREAD TENSION SPRING				*		2	1.00
35	R	B3125012000	22928808	THREAD TENSION NUT				*		2	1.00
36		SS4110515SP		SCREW 11/64-40 L=5				*		1	
37		11078102		PRESSER PLATE				*		1	
38		B3211555000		RUBBER BRAKE				*		1	
39		22621106		BOBBIN PRESSER				*		1	
40		SD0490261SP		HINGE SCREW D=4.9 H=2.6				*		1	
41		SS7081310SP		SCREW 1/8-44 L=12.5				*		1	
42		WP0480856SP		WASHER 4.8X8.4X0.8				*		1	
43		WP0501016SC		WASHER 5X10.5X1						2	
44	R	SK3482500SC	SK3482501SE	WOOD SCREW D=4.8 L=25						2	1.00

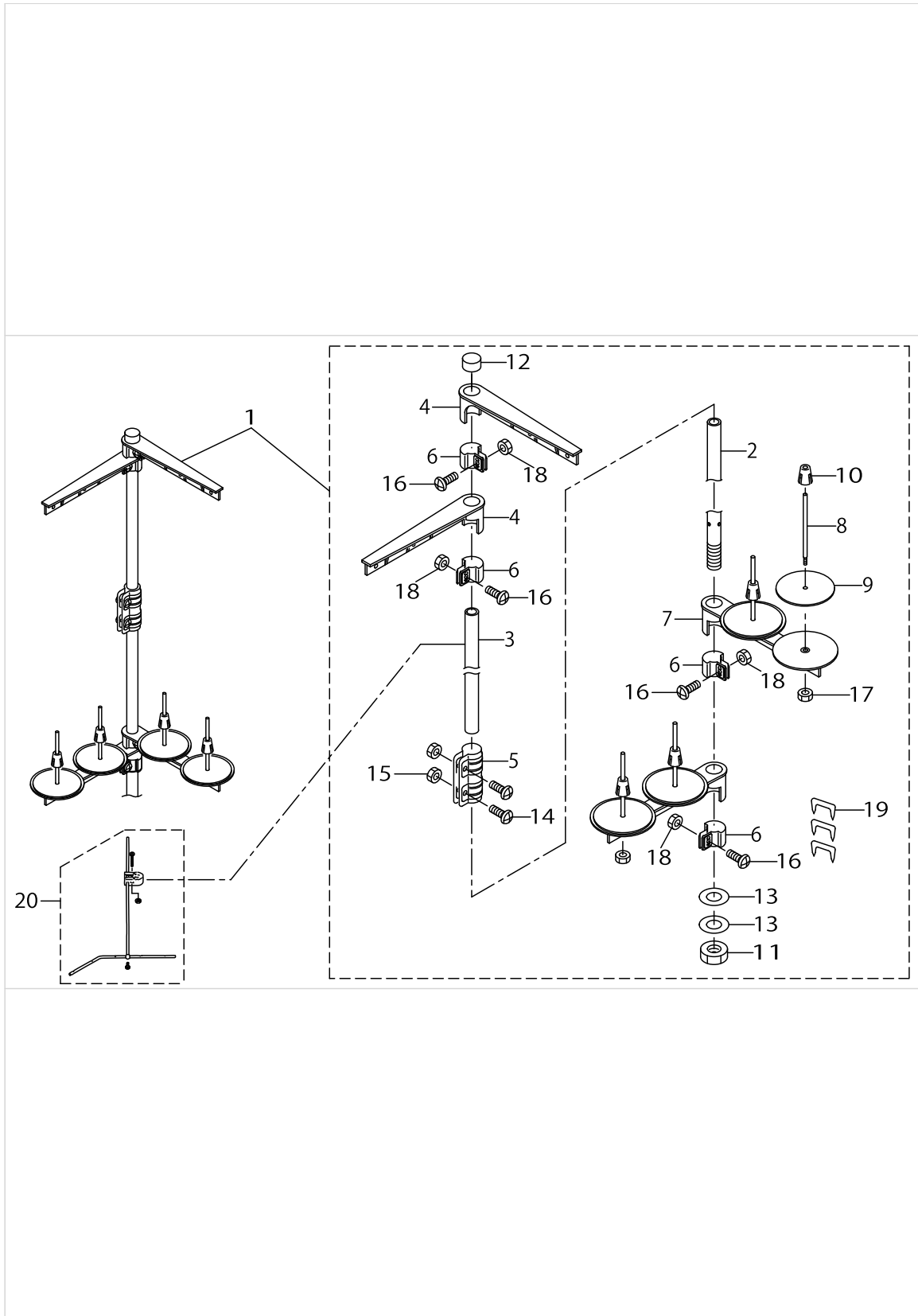
THREAD STAND COMPONENTS (1)



THREAD STAND COMPONENTS (1)

No.	Supply Code	Parts No.	Replacement	Parts name	Remarks	Choice	Step	Level	Cons	Qty	Rep. QTY
1	R	D3301772TAB	26105551	THREAD STAND ASM.		A	LBH,MOL,AVP			1	1.00
1	R	D3301772TAB	26910158	THREAD STAND ASM.		B	LG,LH,LU			1	1.00
2	R	B3319704L00	22931208	THREAD GUIDE				*		3	1.00
3		SM6061610SC		SCREW M6 L=16				*		2	
4		B3318704L00A		THREAD GUIDE ARM JOINT				*		2	
5	R	B3311704000	22931406	SPOOL REST ROD CAP				*		1	1.00
6	R	11185204	40096354	SPOOL REST ROD,UPPER				*		1	1.00
7	R	B3305704000A	40096354	SPOOL REST ROD JOINT				*		1	1.00
8		NM6050001SE		NUT M5				*		2	
9		SM4051405SE		SCREW M5 L=14				*		2	
10	D	11185501		SPOOL RETAINER				*		3	
11	R	B3320704L00A	40085790	SPOOL PIN				*		3	1.00
12	D	B3311012000		SPOOL REST CUSHION				*		3	
13	R	11966504	22930804	SPOOL REST				*		3	1.00
14	R	11185105	40096354	SPOOL REST ROD,LOWER				*		1	1.00
15	R	11969508	13168802	SPOOL REST ARM A				*		2	1.00
16	R	B3317704000	NM6160511SE	NUT				*		1	1.00
17		WP1612616SE		WASHER 16X30X2.6				*		2	
18		B3321704L00		SPOOL REST ARM SUPPORT, A				*		1	
19		MAO11532000		CORD STAPLE				*		3	
20		SM4061201SE		SCREW M6 L=12				*		1	
21		NM6050001SE		NUT M5				*		3	
22		NM6060001SE		NUT M6				*		1	
23		SK3382001SE		SCREW D=3.8 L=20				*		1	
24	R	B33097040A0	26910059	THREAD GUIDE ARM ASM.	FOR TYPE, DESTINATION					1	1.00

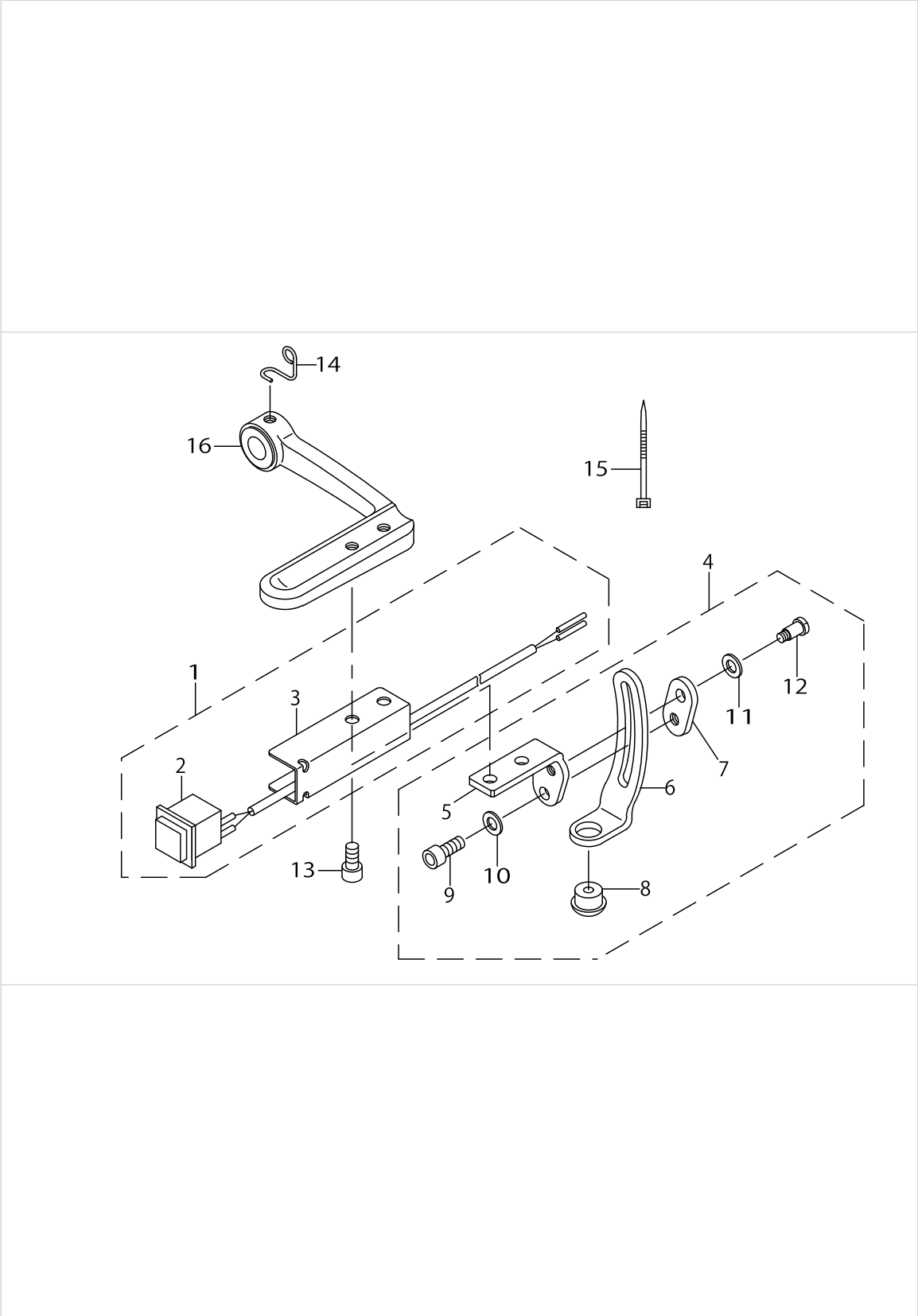
THREAD STAND COMPONENTS (2)



THREAD STAND COMPONENTS (2)

No.	Supply Code	Parts No.	Replacement	Parts name	Remarks	Choice	Step	Level	Cons	Qty	Rep. QTY
1	R	10162758	26910158	THREAD STANDING DEVICE ASM.	FOR JE					1	1.00
2	R	11185105	40096354	SPOOL REST ROD,LOWER				*		1	1.00
3	R	11185204	40096354	SPOOL REST ROD,UPPER				*		1	1.00
4	R	11185352	40096354	THREAD GUIDE ASM.				*		2	1.00
5	R	B3305704000A	40096354	SPOOL REST ROD JOINT				*		1	1.00
6	R	11185402	40096354	THREAD GUIDE ARM JOINT				*		4	1.00
7	D	11185006		SPOOL REST ARM				*		2	
8	R	B3320704L00A	40085790	SPOOL PIN				*		4	1.00
9	D	B3311012000		SPOOL REST CUSHION				*		4	
10	D	11185501		SPOOL RETAINER				*		4	
11	R	B3317704000	NM6160511SE	NUT				*		1	1.00
12	R	B3311704000	22931406	SPOOL REST ROD CAP				*		1	1.00
13		WP1612616SE		WASHER 16X30X2.6				*		2	
14		SM4051405SE		SCREW M5 L=14				*		2	
15		NM6050001SE		NUT M5				*		2	
16		SM4051405SE		SCREW M5 L=14				*		4	
17		NM6050001SE		NUT M5				*		4	
18		NM6050001SE		NUT M5				*		4	
19		MAO11532000		CORD STAPLE				*		3	
20	R	B33097040A0	26910059	THREAD GUIDE ARM ASM.	FOR TYPE, DESTINATION					1	1.00

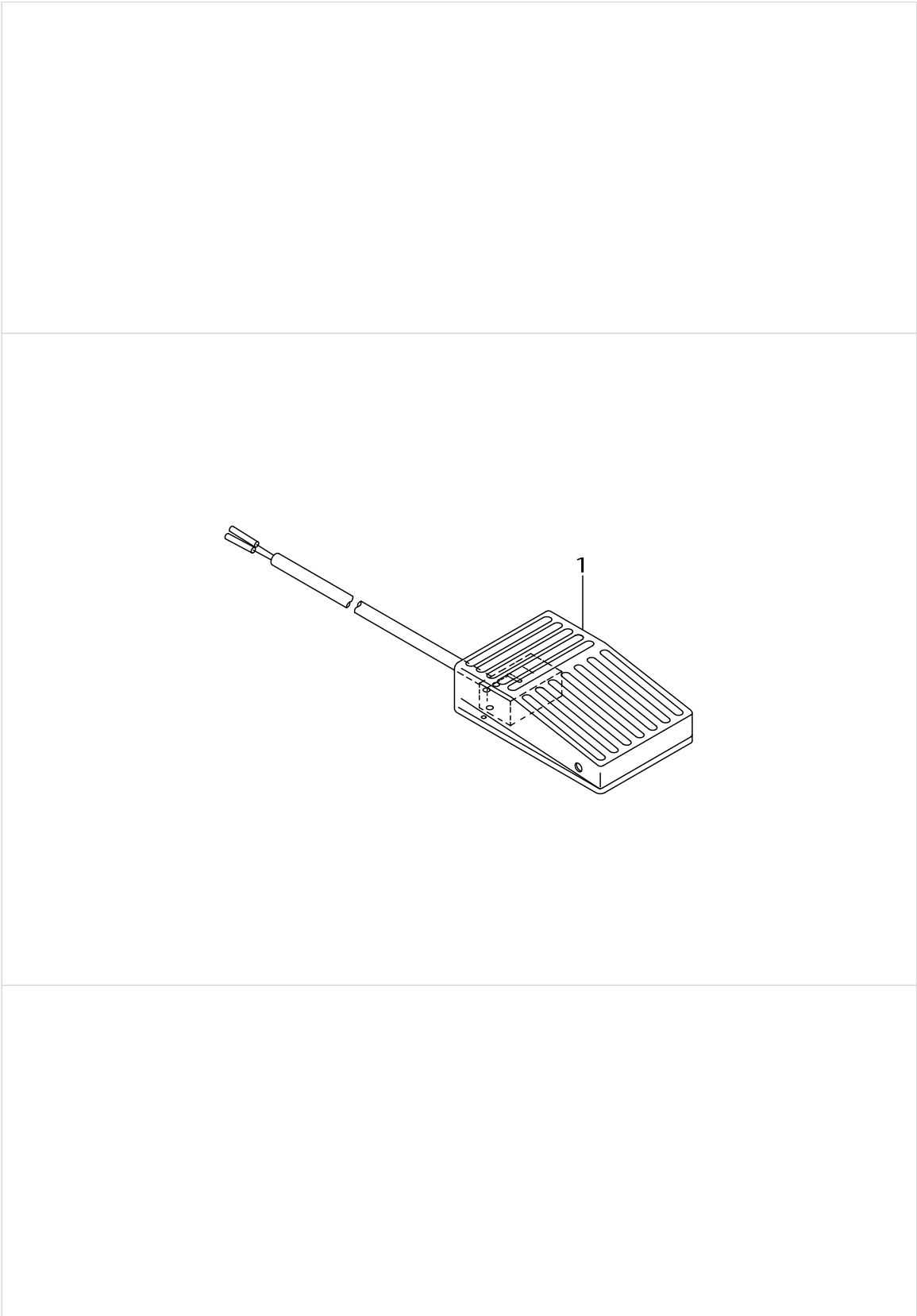
REVERSE FEED CONTROL LEVER COMPENSATION SWITCH SET (OPTION) FOR LH-3162-7



REVERSE FEED CONTROL LEVER COMPENSATION SWITCH SET (OPTION) FOR LH-3162-7

No.	Supply Code	Parts No.	Replacement	Parts name	Remarks	Choice	Step	Level	Cons	Qty	Rep. QTY
1		22798458		COMPENSATION SWITCH ASM.						1	
2		22798250		SWITCH ASM.				*		1	
3		22797104		SWITCH FITTING PLATE				*		1	
4	D	22797252		LEVER STOPPER ASM.						1	
5		22797302		STOPPER FITTING PLATE				*		1	
6		22797203		LEVER STOPPER				*		1	
7		22797401		STOPPER FIXING PLATE				*		1	
8		TA1100604R0		PLUG				*		1	
9		SM6051002TP		SCREW M5X0.8 L=10				*		1	
10		WP0520656SA		WASHER 5.2X9.5X0.6				*		1	
11		WP0531000SE		WASHER				*		1	
12		SD0500721SP		HINGE SCREW D= 5 H= 7.2				*		1	
13		SM6051202TP		SCREW M5X0.8 L=12						2	
14		22798508		SPRINGSUSPENSION						1	
15		EA9500B0100		CABLE BAND						2	
16	D	22797005		REVERSE FEED CONTROL LEVER B						1	

FOOT SWITCH ASM. (OPTION)

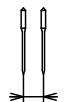
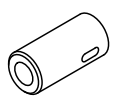
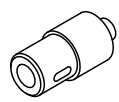


FOOT SWITCH ASM. (OPTION)

No.	Supply Code	Parts No.	Replacement	Parts name	Remarks	Choice	Step	Level	Cons	Qty	Rep. QTY
1		22798052		FOOT SWITCH ASM.						1	

TABLE OF EXCHANGING GAUGE PARTS (1)

下軸メタル

Needle gauge size 針 幅		Front Metal 前 メタル		Inner Metal 中 メタル		
Code コード						
	inch	mm	Ref.No.	Part No.	Ref.No.	Part No.
B S N	1/8 S 3/4	3.2 S 19.1	1	B1802-512-0A0-A	3	B1803-515-0A0
Q	1	25.4	2	B1802-512-0AB	4	101-12357

ワイパー

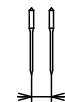
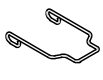
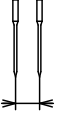
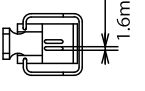
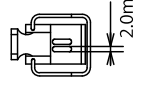
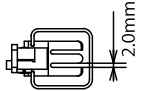
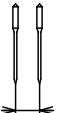
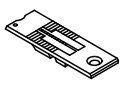
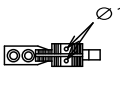
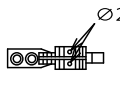
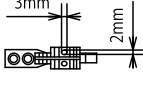
Needle gauge size 針 幅		Wiper ワイパー	
Code コード			
	inch	mm	Ref.No. Part No.
B S K	2/8 S 3/8	3.2 S 9.5	5 102-09203
L S M	1/2 S 5/8	12.7 S 15.9	6 102-09500
N	3/4	19.1	7 102-09807
Q	1	25.4	8 102-09906

TABLE OF EXCHANGING GAUGE PARTS (1)

No.	Supply Code	Parts No.	Replacement	Parts name	Remarks	Choice	Step	Level	Cons	Qty	Rep. QTY
1		B18025120A0A		BUSHING ASM., FRONT						1	
2		B18025120AB		BUSHING ASM., FRONT						1	
3		B18035150A0		BUSHING ASM., INTERMEDIATE						1	
4		10112357		BUSHING ASM. INTERMEDIATE						1	
5		10209203		WIPER 3/32"-3/8						1	
6		10209500		WIPER						1	
7		10209807		WIPER						1	
8		10209906		WIPER						1	

TABLE OF EXCHANGING GAUGE PARTS (2)

Needle gauge size 針 幅			Presser Foot asm. 押 さ え(組)					
Code コード								
	inch	mm	Ref.No.	Part No.	Ref.No.	Part No.	Ref.No.	Part No.
B	1/8	3.2	1	226-37656				
C	5/32	4.0	2	226-37755	13	101-52650		
D	3/16	4.8	3	226-37854	14	101-52759	24	226-40353
E	7/32	5.6	4	226-37953	15	101-52858	25	226-40452
F	1/4	6.4	5	226-38050	16	101-52957	26	226-40551
G	9/32	7.1	6	226-38258	17	101-53054	27	226-40759
H	5/16	7.9	7	226-38357	18	101-53153	28	226-40858
K	3/8	9.5	8	226-38456	19	101-53252	29	226-40957
L	1/2	12.7	9	226-38753	20	101-53450	30	226-41252
M	5/8	15.9	10	226-38852	21	101-53559	31	226-41351
N	3/4	19.1	11	226-38951	22	101-53658	32	226-41450
Q	1	25.4	12	226-39256	23	101-53856	33	226-41757
Stitch spec. 縫 仕 様	S				★		☆	
	A		★					
	G				☆		★	

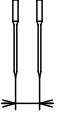
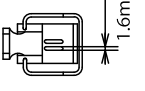
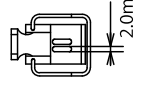
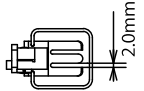
Needle gauge size 針 幅			Throat plate (with Thread Trimmer) 針板(糸切付)		Feed dog(with Thread Trimmer) 送 り 歯(糸切付)					
Code コード										
	inch	mm	Ref.No.	Part No.	Ref.No.	Part No.	Ref.No.	Part No.	Ref.No.	Part No.
B	1/8	3.2	34	226-60203	46	226-65103				
C	5/32	4.0	35	226-60302	47	226-65202	58	102-37907		
D	3/16	4.8	36	226-60401	48	226-65301	59	102-38004	69	102-39101
E	7/32	5.6	37	226-60500	49	226-65400	60	102-38103	70	102-39200
F	1/4	6.4	38	226-60609	50	226-65509	61	102-38202	71	102-39309
G	9/32	7.1	39	226-60708	51	226-65707	62	102-38301	72	102-39408
H	5/16	7.9	40	226-60807	52	226-65806	63	102-38400	73	102-39507
K	3/8	9.5	41	226-60906	53	226-65905	64	102-38509	74	102-39606
L	1/2	12.7	42	226-61102	54	226-66200	65	102-38707	75	102-39804
M	5/8	15.9	43	226-61201	55	226-66309	66	102-38806	76	102-39903
N	3/4	19.1	44	226-61300	56	226-66408	67	102-38905	77	101-71106
Q	1	25.4	45	226-61508	57	226-66705	68	102-39002	78	101-71304
Stitch spec. 縫 仕 様	S		Spec. common 仕様共通				★			
	A				★					
	G								★	

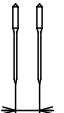
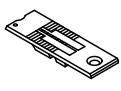
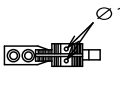
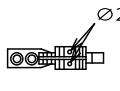
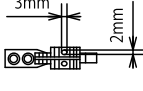
★ Standard spec. 標準仕様
 ☆ Substandard spec. 準標準仕様
 * Special order 特別注文

TABLE OF EXCHANGING GAUGE PARTS (2)

No.	Supply Code	Parts No.	Replacement	Parts name	Remarks	Choice	Step	Level	Cons	Qty	Rep. QTY
1		22637656		PRESSER FOOT ASM.						1	
2		22637755		PRESSER FOOT ASM.						1	
3		22637854		PRESSER FOOT ASM.						1	
4		22637953		PRESSER FOOT ASM.						1	
5		22638050		PRESSER FOOT ASM.						1	
6		22638258		PRESSER FOOT ASM.						1	
7		22638357		PRESSER FOOT ASM.						1	
8		22638456		PRESSER FOOT ASM.						1	
9		22638753		PRESSER FOOT ASM.						1	
10		22638852		PRESSER FOOT ASM.						1	
11		22638951		PRESSER FOOT ASM.						1	
12		22639256		PRESSER FOOT ASM.						1	
13		10152650		PRESSER FOOT ASM. 5/32						1	
14		10152759		PRESSER FOOT ASM. 3/16						1	
15		10152858		PRESSER FOOT ASM. 7/32						1	
16		10152957		PRESSER FOOT ASM. 1/4						1	
17		10153054		PRESSER FOOT ASM. 9/32						1	
18		10153153		PRESSER FOOT ASM. 5/16						1	
19		10153252		PRESSER FOOT ASM. 3/8						1	
20		10153450		PRESSER FOOT ASM. 1/2						1	
21		10153559		PRESSER FOOT ASM. 5/8						1	
22		10153658		PRESSER FOOT ASM. 3/4						1	
23		10153856		PRESSER FOOT ASM. 1						1	
24		22640353		PRESSER FOOT ASM.						1	
25		22640452		PRESSER FOOT ASM.						1	
26		22640551		PRESSER FOOT ASM.						1	
27		22640759		PRESSER FOOT ASM.						1	
28		22640858		PRESSER FOOT ASM.						1	
29		22640957		PRESSER FOOT ASM.						1	
30		22641252		PRESSER FOOT ASM.						1	
31		22641351		PRESSER FOOT ASM.						1	
32		22641450		PRESSER FOOT ASM.						1	
33		22641757		PRESSER FOOT ASM.						1	
34		22660203		THROAT PLATE 1/8						1	
35		22660302		THROAT PLATE 5/32						1	
36		22660401		THROAT PLATE 3/16						1	
37		22660500		THROAT PLATE 7/32						1	
38		22660609		THROAT PLATE 1/4						1	
39		22660708		THROAT PLATE 9/32						1	
40		22660807		THROAT PLATE 5/16						1	
41		22660906		THROAT PLATE 3/8						1	
42		22661102		THROAT PLATE 1/2						1	
43		22661201		THROAT PLATE 5/8						1	
44		22661300		THROAT PLATE 3/4						1	
45		22661508		THROAT PLATE 1						1	
46		22665103		FEED DOG 1/8						1	

TABLE OF EXCHANGING GAUGE PARTS (2)

Needle gauge size 針 幅			Presser Foot asm. 押 さ え(組)					
Code コード								
	inch	mm	Ref.No.	Part No.	Ref.No.	Part No.	Ref.No.	Part No.
B	1/8	3.2	1	226-37656				
C	5/32	4.0	2	226-37755	13	101-52650		
D	3/16	4.8	3	226-37854	14	101-52759	24	226-40353
E	7/32	5.6	4	226-37953	15	101-52858	25	226-40452
F	1/4	6.4	5	226-38050	16	101-52957	26	226-40551
G	9/32	7.1	6	226-38258	17	101-53054	27	226-40759
H	5/16	7.9	7	226-38357	18	101-53153	28	226-40858
K	3/8	9.5	8	226-38456	19	101-53252	29	226-40957
L	1/2	12.7	9	226-38753	20	101-53450	30	226-41252
M	5/8	15.9	10	226-38852	21	101-53559	31	226-41351
N	3/4	19.1	11	226-38951	22	101-53658	32	226-41450
Q	1	25.4	12	226-39256	23	101-53856	33	226-41757
Stitch spec. 縫 仕 様	S				★		☆	
	A		★					
	G				☆		★	

Needle gauge size 針 幅			Throat plate (with Thread Trimmer) 針板(糸切付)		Feed dog(with Thread Trimmer) 送 り 歯(糸切付)					
Code コード										
	inch	mm	Ref.No.	Part No.	Ref.No.	Part No.	Ref.No.	Part No.	Ref.No.	Part No.
B	1/8	3.2	34	226-60203	46	226-65103				
C	5/32	4.0	35	226-60302	47	226-65202	58	102-37907		
D	3/16	4.8	36	226-60401	48	226-65301	59	102-38004	69	102-39101
E	7/32	5.6	37	226-60500	49	226-65400	60	102-38103	70	102-39200
F	1/4	6.4	38	226-60609	50	226-65509	61	102-38202	71	102-39309
G	9/32	7.1	39	226-60708	51	226-65707	62	102-38301	72	102-39408
H	5/16	7.9	40	226-60807	52	226-65806	63	102-38400	73	102-39507
K	3/8	9.5	41	226-60906	53	226-65905	64	102-38509	74	102-39606
L	1/2	12.7	42	226-61102	54	226-66200	65	102-38707	75	102-39804
M	5/8	15.9	43	226-61201	55	226-66309	66	102-38806	76	102-39903
N	3/4	19.1	44	226-61300	56	226-66408	67	102-38905	77	101-71106
Q	1	25.4	45	226-61508	57	226-66705	68	102-39002	78	101-71304
Stitch spec. 縫 仕 様	S		Spec. common 仕様共通				★			
	A				★					
	G								★	

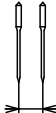
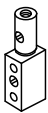
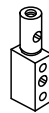
★ Standard spec.
☆ Substandard spec.
* Special order

標準仕様
準標準仕様
特別注文

TABLE OF EXCHANGING GAUGE PARTS (2)

No.	Supply Code	Parts No.	Replacement	Parts name	Remarks	Choice	Step	Level	Cons	Qty	Rep. QTY
47	D	22665202		FEED DOG						1	
48		22665301		FEED DOG 3/16						1	
49		22665400		FEED DOG						1	
50		22665509		FEED DOG 1/4						1	
51		22665707		FEED DOG						1	
52		22665806		FEED DOG 5/16						1	
53		22665905		FEED DOG						1	
54	D	22666200		FEED DOG 1/2						1	
55		22666309		FEED DOG 5/8						1	
56		22666408		FEED DOG						1	
57		22666705		FEED DOG						1	
58		10237907		FEED DOG 5/32						1	
59	D	10238004		FEED DOG 3/16						1	
60		10238103		FEED DOG 7/32						1	
61		10238202		FEED DOG 1/4						1	
62		10238301		FEED DOG 9/32						1	
63		10238400		FEED DOG 5/16						1	
64		10238509		FEED DOG 3/8						1	
65		10238707		FEED DOG 1/2						1	
66		10238806		FEED DOG						1	
67		10238905		FEED DOG 3/4						1	
68		10239002		FEED DOG 1						1	
69		10239101		FEED DOG 3/16						1	
70		10239200		FEED DOG 7/32						1	
71		10239309		FEED DOG 1/4						1	
72		10239408		FEED DOG 9/32						1	
73	D	10239507		FEED DOG 5/16						1	
74		10239606		FEED DOG 3/8						1	
75		10239804		FEED DOG 1/2						1	
76		10239903		FEED DOG						1	
77		10171106		FEED DOG 3/4						1	
78		10171304		FEED DOG 1						1	

TABLE OF EXCHANGING GAUGE PARTS (3)

Needle gauge size 針 幅			Needle clamp asm. Left 針 留(組)左		Needle clamp asm. Right 針 留(組)右	
Code コート						
	inch	mm	Ref.No.	Part No.	Ref.No.	Part No.
B	1/8	3.2	1	B1402-528-BA0-A	13	B1402-528-BA0-A
C	5/32	4.0	2	B1402-528-CA0-A	14	B1402-528-CA0-A
D	3/16	4.8	3	B1402-528-DAL-A	15	B1402-528-DAR-A
E	7/32	5.6	4	B1402-528-EAL	16	B1402-528-EAR
F	1/4	6.4	5	B1402-528-FAL	17	B1402-528-FAR
G	9/32	7.1	6	B1402-528-GAL	18	B1402-528-GAR
H	5/16	7.9	7	B1402-528-HAL-A	19	B1402-528-HAR-A
K	3/8	9.5	8	B1402-528-KAL-A	20	B1402-528-KAR-A
L	1/2	12.7	9	B1402-528-LAL	21	B1402-528-LAR
M	5/8	15.9	10	B1402-528-MAL	22	B1402-528-MAR
N	3/4	19.1	11	B1402-528-NAL	23	B1402-528-NAR
Q	1	25.4	12	B1402-528-QAL	24	B1402-528-QAR
Stitch spec. 縫 仕 様		S A G	Spec. common 仕 様 共 通			

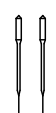
Needle gauge size 針 幅			Bed slide asm. (with thread trimmer) 滑り板(組) (糸切り付)			
Code コート			Bed Slide asm. (Left) 糸切り滑り板(左)組		Bed Slide asm. (Right) 糸切り滑り板(右)組	
	inch	mm	Ref.No.	Part No.	Ref.No.	Part No.
B S K	1/8 S 3/8	3.2 S 9.5	25	226-50857	28	226-50352
L S N	1/2 S 3/4	12.7 S 19.1	26	226-50956	29	226-50451
Q	1	25.4	27	226-51053	30	226-50550

TABLE OF EXCHANGING GAUGE PARTS (3)

No.	Supply Code	Parts No.	Replacement	Parts name	Remarks	Choice	Step	Level	Cons	Qty	Rep. QTY
1		B1402528BA0A		NEEDLE CLAMP ASM. 1/8						1	
2		B1402528CA0A		NEEDLE CLAMP ASM. 5/32						1	
3		B1402528DALA		NEEDLE CLAMP ASM. LEFT						1	
4		B1402528EAL		NEEDLE CLAMP ASM. 7/32						1	
5	R	B1402528FAL	B1402528FALA	NEEDLE CLAMP ASM. LEFT 1/4						1	1.00
6		B1402528GAL		NEEDLE CLAMP ASM., LEFT						1	
7		B1402528HALA		NEEDLE CLAMP ASM. 5/16						1	
8		B1402528KALA		NEEDLE CLAMP ASM. 3/8						1	
9		B1402528LAL		NEEDLE CLAMP ASM., LEFT 1/2						1	
10		B1402528MAL		NEEDLE CLAMP ASM., LEFT 5/8						1	
11		B1402528NAL		NEEDLE CLAMP ASM., LEFT 3/4						1	
12		B1402528QAL		NEEDLE CLAMP ASM., LEFT 1						1	
13		B1402528BA0A		NEEDLE CLAMP ASM. 1/8						1	
14		B1402528CA0A		NEEDLE CLAMP ASM. 5/32						1	
15		B1402528DARA		NEEDLE CLAMP ASM. RIGHT						1	
16		B1402528EAR		NEEDLE CLAMP ASM. 7/32						1	
17	R	B1402528FAR	B1402528FARA	NEEDLE CLAMP ASM. RIGHT 1/4						1	1.00
18		B1402528GAR		NEEDLE CLAMP ASM., RIGHT						1	
19		B1402528HARA		NEEDLE CLAMP ASM. 5/16						1	
20		B1402528KARA		NEEDLE CLAMP ASM. 3/8						1	
21		B1402528LAR		NEEDLE CLAMP ASM., RIGHT 1/2						1	
22		B1402528MAR		NEEDLE CLAMP ASM., RIGHT 5/8						1	
23		B1402528NAR		NEEDLE CLAMP ASM., RIGHT 3/4						1	
24		B1402528QAR		NEEDLE CLAMP ASM., RIGHT 1						1	
25		22650857		BED SLIDE LEFT, ASM., A						1	
26		22650956		LEFT SLIDER PLATE B ASM.						1	
27		22651053		BED SLIDE LEFT, ASM., C						1	
28		22650352		BED SLIDE RIGHT, ASM., A						1	
29		22650451		RIGHT SLIDER PLATE B ASM.						1	
30		22650550		BED SLIDE RIGHT, ASM., C						1	

LIST FOR INFORMTION OF CHANGE

As to the place changed, refer to the corresponding Rev.No.
When previous parts(Obsoleted part)and new parts(Added parts)are not interchangeable with each other:
In this case,even obsoleted parts(D.)can be ordered with the obsoleted part number,so select the parts with changed dates and place your orders.

変更箇所は、該当Rev.No.版をご参照ください。
部品の互換性がない変更の場合は、削除された品番でも、ご注文できます。

29167806
No.1039-06・・・Rev.No.

*A:Added parts追加部品/D:Obsoleted parts削除部品/E:Erratum訂正

* Rev. No.	Page 頁 No.	Ref. No.	Parts No. 品番	* Rev. No.	Page 頁 No.	Ref. No.	Parts No. 品番
D	05	6	3				232-04902
D	05	6	4				226-06602
D	05	6	5				PT-0502700-S0

HOW TO MAKE USE OF THIS PARTS LIST

1.Explanation of codes

1)"*"mark.....means this part is changed from the previous parts book.

As to the details of the change, refer to the "List for information of change".

2)"#01".....refer to "Note" explanation at bottom of page.

2.Codes on the "Qty" column

- Each numeral indicates the number of parts required.
- "0.1" and "2.5" indicate the length (in meters) of the respective parts.

3.Parentheses mean that the corresponding part is a subpart that constructs an assembly part.

4.Dotted lines on the Figures indicate assembly parts.

1."注記"欄の記号説明

1) "*"印.....前回のパーツブックに比較して今回変更された部品を意味します。

変更内容は、"変更情報リスト"を参照してください。

2) "#01".....ページ下の"注記"の説明を参照してください。

2.数量欄の数字は、個数を表し、0.1、2.5等の数値は、長さ（単位メートル）を表します。

3.数量欄の（ ）は、組部品を構成している子部品であることを意味します。

4.イラストページの-----枠は、組構成であることを意味します。

NUMERICAL INDEX OF PARTS

PART NO	PAGE	REF NO.	PART NO	PAGE	REF NO.	PART NO	PAGE	REF NO.
10004109	4	51	10162600	42	3	10621803	44	30
10101004	2	3	10162600	44	3	10623403	38	34
10106102	20	46	10162758	50	1	10697506	12	36
10107902	18	35	10171106	60	77	10697605	12	3
10108009	18	12	10171304	60	78	10741106	12	11
10108512	14	1	10208551	36	29	10741759	4	45
10108611	14	11	10208700	36	32	11006202	22	7
10109908	14	39	10209203	36	35	11006350	22	6
10110500	14	25	10209203	56	5	11006509	22	11
10111201	16	49	10209500	36	36	11007101	22	13
10111508	14	19	10209500	56	6	11007309	22	8
10112001	14	6	10209807	36	37	11009909	18	17
10112357	56	4	10209807	56	7	11018108	22	20
10112407	14	40	10209906	36	38	11018207	22	19
10112803	14	32	10209906	56	8	11024015	42	7
10112902	14	34	10210805	14	18	11024015	44	7
10116051	26	3	10211407	26	6	11024106	42	8
10116606	26	23	10211605	26	2	11024106	44	8
10116705	26	40	10216703	38	4	11024205	42	11
10116754	26	37	10237907	60	58	11024205	44	15
10116804	26	15	10238004	60	59	11024304	42	23
10116903	26	35	10238103	60	60	11024304	44	36
10117109	26	24	10238202	18	32	11024510	44	10
10117208	26	18	10238202	60	61	11032562	6	25
10117851	28	55	10238301	60	62	11045101	12	12
10119105	34	4	10238400	60	63	11047107	42	4
10119204	34	5	10238509	60	64	11047107	44	4
10124204	12	10	10238707	60	65	11052701	18	19
10124303	12	15	10238806	60	66	11071602	22	35
10125201	22	16	10238905	60	67	11071701	22	36
10152650	58	13	10239002	60	68	11071800	22	1
10152759	58	14	10239101	60	69	11072402	12	14
10152858	58	15	10239200	60	70	11072709	36	2
10152957	24	43	10239309	60	71	11076809	46	3
10152957	58	16	10239408	60	72	11076858	46	2
10153054	58	17	10239507	60	73	11076957	46	4
10153153	58	18	10239606	60	74	11077567	46	11
10153252	58	19	10239804	60	75	11078003	46	20
10153450	58	20	10239903	60	76	11078102	46	37
10153559	58	21	10315208	20	58	11078250	46	12
10153658	58	22	10315455	20	59	11093606	12	13
10153856	58	23	10315505	20	52	11100500	34	23
10161305	34	3	10602902	2	2	11110301	36	13
10162204	42	2	10604809	6	26	11110400	36	11
10162253	42	1	10611457	14	14	11110509	36	12

NUMERICAL INDEX OF PARTS

PART NO	PAGE	REF NO.	PART NO	PAGE	REF NO.	PART NO	PAGE	REF NO.
11110707	36	8	22609200	18	24	22619001	38	28
11111705	36	14	22609309	20	54	22619209	38	11
11111804	36	21	22609408	20	41	22619415	38	18
11185006	50	7	22609606	20	53	22619605	38	27
11185105	48	14	22609705	18	34	22619704	40	64
11185105	50	2	22609754	18	33	22619803	38	25
11185204	48	6	22609804	14	8	22619902	38	23
11185204	50	3	22610000	18	6	22620108	38	9
11185352	50	4	22610109	18	2	22620355	38	6
11185402	50	6	22610208	18	4	22620454	38	7
11185501	48	10	22610307	18	8	22620504	38	14
11185501	50	10	22610406	18	22	22620702	38	8
11394509	22	23	22610505	18	15-62	22620801	22	31
11956802	12	22	22612303	14	33	22620801	38	21
11966504	48	13	22612501	14	35	22620900	2	12
11969508	48	15	22612907	14	26	22621056	46	31
13515606	34	26	22613400	16	67	22621106	46	39
13765607	38	44	22613509	14	38	22621155	46	30
22602007	2	15-46	22613608	16	70	22622005	42	24
22602601	2	40	22613905	16	51	22622005	44	37
22603013	2	23	22615009	16	57	22622104	42	25
22603112	2	25	22615108	16	56	22622104	44	38
22603203	2	27	22615207	16	60	22622401	6	28
22603401	46	1	22615306	16	59	22637656	58	1
22603609	4	42	22615454	16	55	22637755	58	2
22603708	4	43	22615702	16	61	22637854	58	3
22603906	6	27	22615801	16	63	22637953	58	4
22604003	6	38	22615959	16	64	22638050	58	5
22604300	6	40	22616254	16	65	22638258	58	6
22604409	6	34	22617005	22	33	22638357	58	7
22604607	6	30	22617104	22	22	22638456	58	8
22604656	6	29	22617609	12	30	22638753	58	9
22604904	6	39	22617708	12	24	22638852	58	10
22605307	6	2	22617807	12	23	22638951	58	11
22605356	6	1	22617906	12	17	22639256	58	12
22605406	6	6	22618052	12	9	22640353	58	24
22607006	10	70	22618060	12	1-40-41	22640452	58	25
22607105	10	74	22618102	12	6	22640551	58	26
22607204	10	75	22618201	12	4	22640759	58	27
22607303	10	68	22618300	12	5	22640858	58	28
22607402	10	69	22618458	12	1-40-41	22640957	58	29
22608004	22	40	22618557	12	1-40-41	22641252	58	30
22608103	22	10	22618706	12	2	22641351	58	31
22608152	22	5	22618805	12	31	22641450	58	32
22609101	18	28	22618904	12	27	22641757	58	33

NUMERICAL INDEX OF PARTS

PART NO	PAGE	REF NO.	PART NO	PAGE	REF NO.	PART NO	PAGE	REF NO.
22650055	2	39	22656409	34	13	22682355	8	6~10
22650352	2	38	22657050	36	28	22682504	8	42
22650352	62	28	22657100	36	18	22682504	10	42
22650451	62	29	22657159	36	1	22682702	8	4
22650550	62	30	22657209	36	6	22682850	10	63
22650857	2	36	22657308	36	9	22683007	10	52
22650857	62	25	22657803	2	10	22683056	10	46
22650956	62	26	22660203	58	34	22683106	10	50
22651053	62	27	22660302	58	35	22683205	10	48
22651202	2	32	22660401	58	36	22683304	10	49
22651459	4	41	22660500	58	37	22683403	10	53
22651509	6	18	22660609	2	37	22683502	10	59
22651558	6	17	22660609	58	38	22683601	10	61
22651566	6	16	22660708	58	39	22683809	10	51
22651608	6	41	22660807	58	40	22683908	10	57
22652002	18	25	22660906	58	41	22684005	10	58
22652101	18	9	22661102	58	42	22684104	10	54
22653000	14	30	22661201	58	43	22684203	10	56
22653158	16	50	22661300	58	44	22684609	8	14
22653307	14	31	22661508	58	45	22685101	8	30
22653505	16	53	22665103	58	46	22685150	8	29
22653604	16	52	22665202	60	47	22685200	8	40
22653802	14	20	22665301	60	48	22685200	10	40
22654008	28	61	22665400	60	49	22685309	8	39
22654107	26	31	22665509	60	50	22685358	8	38
22654206	26	5	22665707	60	51	22685408	8	41
22654255	26	4	22665806	60	52	22685408	10	41
22654305	28	53	22665905	60	53	22685705	10	66
22654404	26	44	22666200	60	54	22685804	8	21
22654503	28	48	22666309	60	55	22685903	8	17
22654552	28	47	22666408	60	56	22686000	8	20
22654602	28	49	22666705	60	57	22686158	8	23
22654701	26	26	22680003	2	30	22686455	40	61
22654800	26	14	22680250	2	18	22687008	30	10
22654909	22	24	22680607	6	10	22688006	14	36
22654958	22	21	22680656	6	9	22688105	14	27
22655005	28	60	22681316	8	26	22688154	14	22
22655104	26	22	22681407	8	24	22688204	14	28
22655153	26	20	22681506	8	25	22688402	14	23·24
22655302	26	11	22681712	8	5	22688501	14	23·24
22655401	26	10	22681803	8	15	22693253	8	28
22656003	34	27	22681951	8	6~10	22693352	8	37
22656102	34	19	22682058	8	6~10	22693451	8	1
22656201	34	18	22682157	8	6~10	22693857	14	21
22656300	34	14	22682256	8	6~10	22790000	30	25

NUMERICAL INDEX OF PARTS

PART NO	PAGE	REF NO.	PART NO	PAGE	REF NO.	PART NO	PAGE	REF NO.
22790356	30	16	22818009	4	15-46	B1402528GAR	62	18
22790455	32	4-5	22904155	20	48	B1402528HALA	62	7
22790505	46	26	22907109	24	42	B1402528HARA	62	19
22792550	30	31	22907703	22	37	B1402528KALA	62	8
22792659	30	36	22908552	22	4	B1402528KARA	62	20
22792758	32	7-8	22908800	22	15	B1402528LAL	62	9
22792956	30	23-24	22911903	18	20	B1402528LAR	62	21
22795108	30	2	22912109	18	18	B1402528MAL	62	10
22795157	30	1	22920706	2	21	B1402528MAR	62	22
22795207	30	3	22932453	42	10	B1402528NAL	62	11
22795306	30	7	22934202	42	20	B1402528NAR	62	23
22795355	30	6	22934202	44	24	B1402528QAL	62	12
22795405	30	8	22934251	42	16	B1402528QAR	62	24
22795504	30	20	22934251	44	20	B1414512000	10	65
22795553	30	19	22934301	42	21	B1425526000	8	45
22795603	30	17	22934301	44	25	B1425526000	10	45
22795702	30	22	22934400	42	19	B1438512B00	10	67
22795801	30	29	22934400	44	23	B1501581000	22	39
22795900	30	12	22934509	42	17	B1505227T00A	22	38
22796106	44	28	22934509	44	21	B1505804000	30	21
22796155	44	27	22934608	42	18	B1506352000	34	25
22796205	44	2	22934608	44	22	B1515051000	28	46
22796254	44	1	22951552	2	7	B1521555000	22	2
22796551	30	15	23203904	6	5	B1603512000	20	44
22796700	32	6	23204506	8	11~13	B1604012000A	20	39
22796759	32	4-5	23204605	8	11~13	B1610512000	18	30
22796809	32	2	23204704	8	11~13	B1633470000	20	61
22796908	32	1	23204803	40	59	B1636581B00	18	29
22797005	20	15-62	23204951	8	2	B1653470000	20	63
22797005	52	16	23630007	38	63	B1705850000	10	60
22797104	52	3	23630007	40	63	B18025120A0A	14	2
22797203	52	6	B1104051000	2	29	B18025120A0A	56	1
22797252	52	4	B1202512000	6	13	B18025120AB	56	2
22797302	52	5	B1214038000	40	52	B18035150A0	14	10
22797401	52	7	B1402528BA0A	62	13	B18035150A0	56	3
22797559	32	7-8	B1402528CA0A	62	14	B1816512000	14	4
22797757	30	23-24	B1402528DALA	62	3	B1820563000	14	42
22798052	54	1	B1402528DARA	62	15	B1821051000	14	44
22798151	44	29	B1402528EAL	62	4	B1822051000	14	45
22798250	52	2	B1402528EAR	62	16	B1823051000	16	48
22798359	44	32	B1402528FAL	62	5	B1834512000A	38	36
22798458	52	1	B1402528FALA	8	35	B1850512000	38	31
22798508	52	14	B1402528FAR	62	17	B1851512000	38	30
22798607	44	18	B1402528FARA	10	44	B2024771000	36	7
22798755	44	17	B1402528GAL	62	6	B3041980000	28	59

NUMERICAL INDEX OF PARTS

PART NO	PAGE	REF NO.	PART NO	PAGE	REF NO.	PART NO	PAGE	REF NO.
B3112704000	12	21	CQ252000000	10	62	NM6050001SE	48	21
B3114232000	12	20	CQ252000000	20	49	NM6050001SE	50	18
B3125012000	46	35	CQ505000000	6	11	NM6050001SP	26	43
B3126012000	12	16	CS0300711SP	36	22	NM6060001SE	42	12
B3126012000	46	33	CS070081BSH	26	33	NM6060001SE	44	12
B3129012A00	12	18	CS102121ASH	18	10	NM6060001SE	48	22
B3129012B00	46	34	CS1470710SH	26	29	NS6080210SP	20	42
B31375270A0	12	32	CS1471012SH	14	16	NS6090310SP	36	26
B3138527000	12	29	D2112555B00	2	17	NS6090310SP	38	33
B3139527000	12	33	D2120555C00	30	37	NS6110310SN	38	5
B3141527000	12	25	D2120555C00	46	27	NS6110310SP	12	8
B3142527000	12	34	D2427555B00B	26	42	NS6110310SP	36	10
B3143527000	12	35	D2428555B00A	26	41	NS6110310SP	38	37
B3211555000	46	38	D2430555B00	26	39	NS6110420SP	16	46
B3305704000A	48	7	D2464555B00	34	8	NS6110420SP	38	16
B3305704000A	50	5	D3129555D00	12	19	NS6120310SP	38	13
B33097040A0	48	24	D3159555B00	22	25	NS6150430SP	10	73
B33097040A0	50	20	D3163555B00A	22	29	NS6620310SP	22	26
B3311012000	48	12	D3164555B00	22	27	NS6680320SP	20	55
B3311012000	50	9	D3171415B0H	16	62	NS6700420SP	38	20
B3311704000	48	5	D3301772TAB	48	1	PS0300201KP	26	25
B3311704000	50	12	EA9500B0000	44	31	PS0600502KP	22	34
B3317704000	48	16	EA9500B0100	28	65	RE0320000K0	36	31
B3317704000	50	11	EA9500B0100	40	58	RE0400000K0	34	9
B3318704L00A	48	4	EA9500B0100	52	15	RE0500000K0	18	3
B3319704L00	48	2	GAK33070000	42	15	RE0500000K0	22	18
B3320704L00A	48	11	HA000590000	36	15	RE0500711KP	20	38
B3320704L00A	50	8	HF0041010S0	30	32	RE0900000K0	18	13
B3321704L00	48	18	HK034610140	28	57	RE1000000K0	42	9
B3417051000	28	62	HK03464000B	28	56	RE1000000K0	44	9
B3418180000	26	17	HK03464000B	34	21	RO037180100	22	3
B3517009000	38	17	HK03464000B	36	24	RO092270200	18	16
B3524552000	40	53	HW200390000	36	16	RO098240100	42	6
B3530555000	38	1	HW500070000	36	17	RO098240100	44	6
B3534012000	40	62	HX00056000B	30	33	RO195240100	38	2
B3534155000	40	51	M4002110000	6	19	RO437200200	6	32
B3538112000	40	56	M40071100AA	6	20	SB120000100	6	31
B8233555000	46	25	M40071100AB	6	21	SD0470281SP	12	7
BT0500300EA	20	50	M6043350AAA	4	48	SD0490261SP	46	40
CM300200101	4	52·53	MAO11532000	48	19	SD0500301SP	36	27
CM3002001A1	4	52·53	MAO11532000	50	19	SD0500721SP	52	12
CQ202000000	6	3	MDP500B1400	10	64	SD0600271SP	26	19
CQ202000000	14	47	NM6020001SC	44	35	SD0600281TP	30	4
CQ202000000	16	47	NM6030001SC	30	35	SD0600322SD	22	17
CQ252000000	6	7	NM6040001SD	30	18	SD0640231SP	30	9

NUMERICAL INDEX OF PARTS

PART NO	PAGE	REF NO.	PART NO	PAGE	REF NO.	PART NO	PAGE	REF NO.
SD0640321SP	34	20	SS4090715SP	8	3	SS6121610TP	10	76
SD0650305TP	28	52	SS4090815SP	8	16	SS6121610TP	20	56
SD0650321TP	36	5	SS4110515SP	16	66	SS6121610TP	26	54
SD0720332SP	22	14	SS4110515SP	24	45	SS6121610TP	28	54
SD0800422CP	18	5	SS4110515SP	46	36	SS6121840SP	34	24
SD0870601SP	10	72	SS4110615SP	12	37	SS6121860SP	18	21
SD0900701TP	20	57	SS4110615SP	38	24	SS6151040SP	28	58
SK3382001SE	48	23	SS4110715SP	22	28	SS6151220SP	26	38
SK3412000SC	46	9	SS4110715SP	38	26	SS6151780SP	2	14
SK3482500SC	46	44	SS4110815SP	2	1	SS6152440SP	10	71
SL4030681SC	30	34	SS4110815SP	16	58	SS6153040SP	14	41
SL4030681SC	32	10	SS4110815SP	18	23	SS6560150SH	14	29
SL4031091SC	30	30	SS4110815SP	40	57	SS6580752TP	18	31
SL4040891SC	44	34	SS4111015SP	4	49	SS6661110SP	6	15
SM0081001SD	42	5	SS4111015SP	22	32	SS6661110SP	18	26
SM0081001SD	44	5	SS4111215SP	22	30	SS7060310SP	10	47
SM4030401SC	30	27	SS4111215SP	38	15	SS7081310SP	46	41
SM4030601SN	36	20	SS4111215SP	46	28	SS7090510SP	12	28
SM4051405SE	48	9	SS4111815SP	38	3	SS7090610SP	40	60
SM4051405SE	50	16	SS4120615SP	2	8	SS7090710SP	26	12
SM4061201SE	48	20	SS4120615SP	12	39	SS7090910SP	38	32
SM6040800SP	44	16	SS4120615SP	34	28	SS7090910TP	24	44
SM6051002TP	52	9	SS4120615SP	36	25	SS7110510SP	20	60
SM6051202TP	52	13	SS4121015SP	2	19	SS7110710SP	8	19
SM6061610SC	48	3	SS4153015SP	34	15	SS7110710SP	16	71
SM6082502TP	16	69	SS5090610SP	4	47	SS7110710SP	18	27
SM8050502TP	20	40	SS5090610SP	26	9	SS7110710SP	34	1
SM8060812TP	44	19	SS6060510TP	8	22	SS7110840SP	46	32
SM8063012TR	42	13	SS6080320SP	36	23	SS7110910SP	20	51
SM8063012TR	44	13	SS6080340SP	10	55	SS7111310TP	20	45
SM9061203SE	42	22	SS6080410SP	8	27	SS7111810SP	16	54
SM9061203SE	44	26	SS6081810SP	20	43	SS7120760SP	6	14
SM9061853SR	42	14	SS6090630SP	2	34	SS7120760SP	14	15
SM9061853SR	44	14	SS6090670TP	18	1	SS7120760SP	34	22
SM9062053SR	44	11	SS6090810SP	14	13	SS7120910SP	18	14
SQ1110401MZ	38	50	SS6111140SP	2	4	SS7121410SP	18	7
SQ1110401MZ	40	50	SS6111210SP	6	23	SS7151210SP	34	10
SQ1150451MZ	38	39	SS6111610SP	38	35	SS7151610SP	26	16
SS2080810SP	26	1	SS6120940SP	28	63	SS7681750TP	6	36
SS2090710TP	2	33	SS6120940SP	32	3	SS8080610SP	26	7
SS2110920TP	2	35	SS6121010SP	30	13	SS8110410TP	26	30
SS2110920TP	26	27	SS6121212TP	26	13	SS8110510SP	26	34
SS2110930SP	26	28	SS6121610SP	30	14	SS8111010TP	26	21
SS2110930SP	38	29	SS6121610SP	38	12	SS8120740SP	2	22
SS3090520SP	36	33	SS6121610SP	46	6	SS8150410TP	4	50

NUMERICAL INDEX OF PARTS

PART NO	PAGE	REF NO.	PART NO	PAGE	REF NO.
SS8151150SP	4	44	WP0850002SP	16	68
SS8151150SP	14	12	WP1612616SE	48	17
SS8151150SP	20	47	WP1612616SE	50	13
SS8151150TP	6	8	WS0310002KN	30	26
SS8151550SP	6	22	WS0310002KN	36	19
SS8660530TP	6	33	WS0451040KP	46	7
SS8660530TP	14	17	WS0610002KP	34	16
SS8660610TP	18	11	WS0631510KP	34	11
SS8660810TP	14	5	WT0430002KN	44	33
SS8660810TP	22	41	WT0530002KS	2	9
SS8660810TP	26	32			
SS8680540SP	6	12			
SS8680810TP	6	37			
SS8681650TP	6	35			
SS8701782TP	38	19			
SS9080410SP	26	8			
SS9110460CP	2	31			
SS9110460CP	30	11			
SS9111010SP	28	50			
SS9111010SP	34	7			
SS9111010SP	36	30			
SS9151440CP	18	36			
ST4030851SN	32	9			
TA0500601M0	16	72			
TA0750704R0	2	13			
TA1100604R0	52	8			
TA1250406R0	2	20			
WP0320501SC	36	4			
WP0371016SD	14	37			
WP0371016SD	36	34			
WP0450000SD	8	18			
WP0450801SD	6	24			
WP0480856SP	46	42			
WP0501016SC	46	43			
WP0501016SD	12	38			
WP0501016SD	28	64			
WP0501016SD	34	6			
WP0501016SD	46	8			
WP0520656SA	52	10			
WP0531000SE	52	11			
WP0612056SD	34	17			
WP0621016SD	18	37			
WP0621016SD	30	5			
WP0621016SD	34	12			
WP0753016SZ	26	36			