

MODEL : MS-1261/MS-1261M

List No : 1031-06

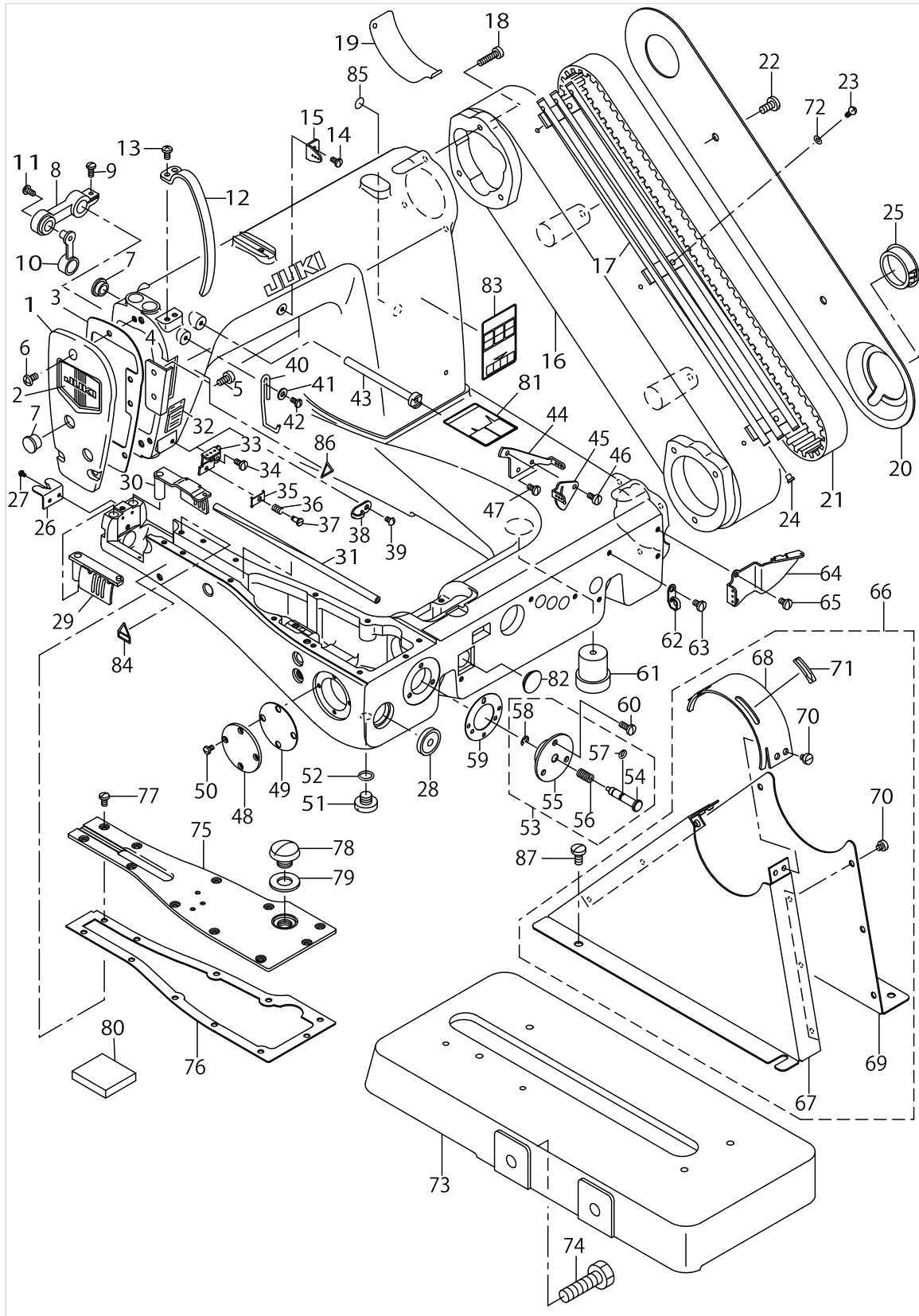
PARTS LIST

Published:05/12/2017

CONTENTS

FRAME & MISCELLANEOUS COVER COMPONENTS	1
LOOPER THREAD GUIDE COMPONENTS	5
NEEDLE BAR & MAIN SHAFT COMPONENTS	9
PRESSER BAR & LOWER SHAFT COMPONENTS	13
FEED MECHANISM COMPONENTS.....	17
LOOPER & FEED DOG COMPONENTS	21
KNEE LIFTER COMPONENTS	25
THREAD STAND COMPONENTS.....	27
TABLE OF EXCHANGING GAUGE PARTS (1).....	29
TABLE OF EXCHANGING GAUGE PARTS (2).....	31
TABLE OF EXCHANGING GAUGE PARTS (3).....	33
LIST FOR INFORMATION OF CHANGE (1).....	35
LIST FOR INFORMATION OF CHANGE (2).....	36
HOW TO MAKE USE OF THIS PARTS LIST	37

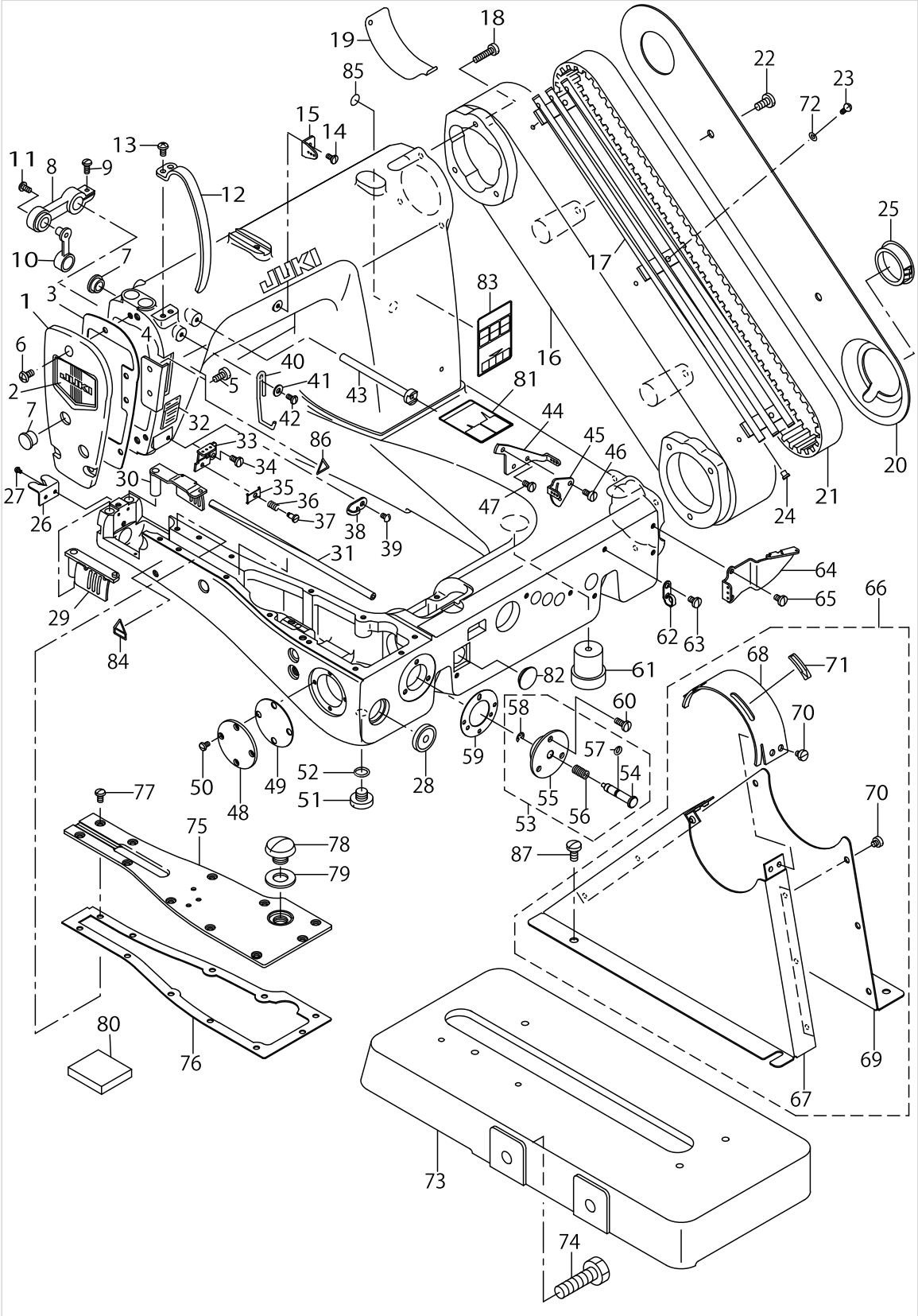
FRAME & MISCELLANEOUS COVER COMPONENTS



FRAME & MISCELLANEOUS COVER COMPONENTS

No.	Supply Code	Parts No.	Replacement	Parts name	Remarks	Choice	Step	Level	Cons	Qty	Rep. QTY
1	R	12950705	12950754	FACE PLATE						1	1.00
2		22902506		FACE PLATE						1	
3		12921003		FACE PLATE GASKET						1	
4		12950804		FACE PLATE SIDE PLATE						1	
5		SS6110610TP		SCREW 11/64-40 L=6						2	
6		SS4120915SP		SCREW 3/16-28 L=9						3	
7		TA1250406R0		RUBBER PLUG D=12.5 L=4						3	
8		B11620260A0		TENSION RELEASE ARM ASM.						1	
9		SS4091010SP		SCREW 9/64-40 L=10						1	
10		B1161026000		CONNECTING LINK						1	
11		SS5090710SP		SCREW 9/64-40 L=6.5						1	
12		12950606		TENSION COVER						1	
13		SS4110815SP		SCREW 11/64-40 L=8						1	
14		SS7090710SP		SCREW 9/64-40 L=6.8						1	
15		12966800		UPPER THREAD GUIDE						1	
16		12951000		SPROCKET WHEEL COVER						1	
17		12967501		LOWER THREAD TUBE (A)						1	
18		SS6122030SP		SCREW 3/16-28 L=20						6	
19		12921201		SPROCKET WHEEL AUXILIARY COVER	FOR EXCEPT V0					1	
20		12921409		SPROCKET WHEEL COVER PLATE						1	
21		B1219019000		TIMING BELT						1	
22		SS7151210SP		SCREW 15/64-28 L=12						2	
23		SS4090815SP		SCREW 9/64-40 L=8						3	
24		B1124804000		THREAD GUIDE, SMALL						6	
25		12921607		RUBBER PLUG						1	
26		12922704		CHAIN CUTTER BLADE						1	
27		SS3060410SP		SCREW 3/32-56 L=4						2	
28		10704203		OIL POT WINDOW						1	
29		12952552		LEFT GATE LOOPER COVER ASM.						1	
30		12952255		RIGHT GATE LOOP- ER COVER ASM.						1	
31		B1157019000		LOOPER THREAD TUBE (C)						1	
32	D	12950507		THREAD INDICATION LABEL						1	
33		12955803		THREAD TENSION DISK HOLDER	FOR MS-1261					1	
34	R	SS7090910SP	SS7090910TP	SCREW 9/64-40 L=8.5	FOR MS-1261					1	1.00
35		B1134850000A		THREAD TENSION DISC	FOR MS-1261					1	
36		B1135850000		TENSION SPRING (A)	FOR MS-1261					1	
37		SD0380551SL		HINGE SCREW D= 3.80 H= 5.5	FOR MS-1261					1	
38		B1130051000		FRAME THREAD GUIDE, MIDDLE	FOR MS-1261M					1	
39		SS3090610SP		SCREW 9/64-40 L=6	FOR MS-1261M					1	
40		12965703		THREAD TAKE-UP TENSION LEVER						1	
41		WP0450801SD		WASHER 4.5X10X0.8						1	
42		SS5091020SP		SCREW 9/64-40 L=9.5						1	
43		12966909		TENSION RELEASE LEVER SHAFT						1	
44		12967006		TENSION RELEASE LEVER						1	
45		12967105		NEEDLE THREAD TENSION GUIDE						1	

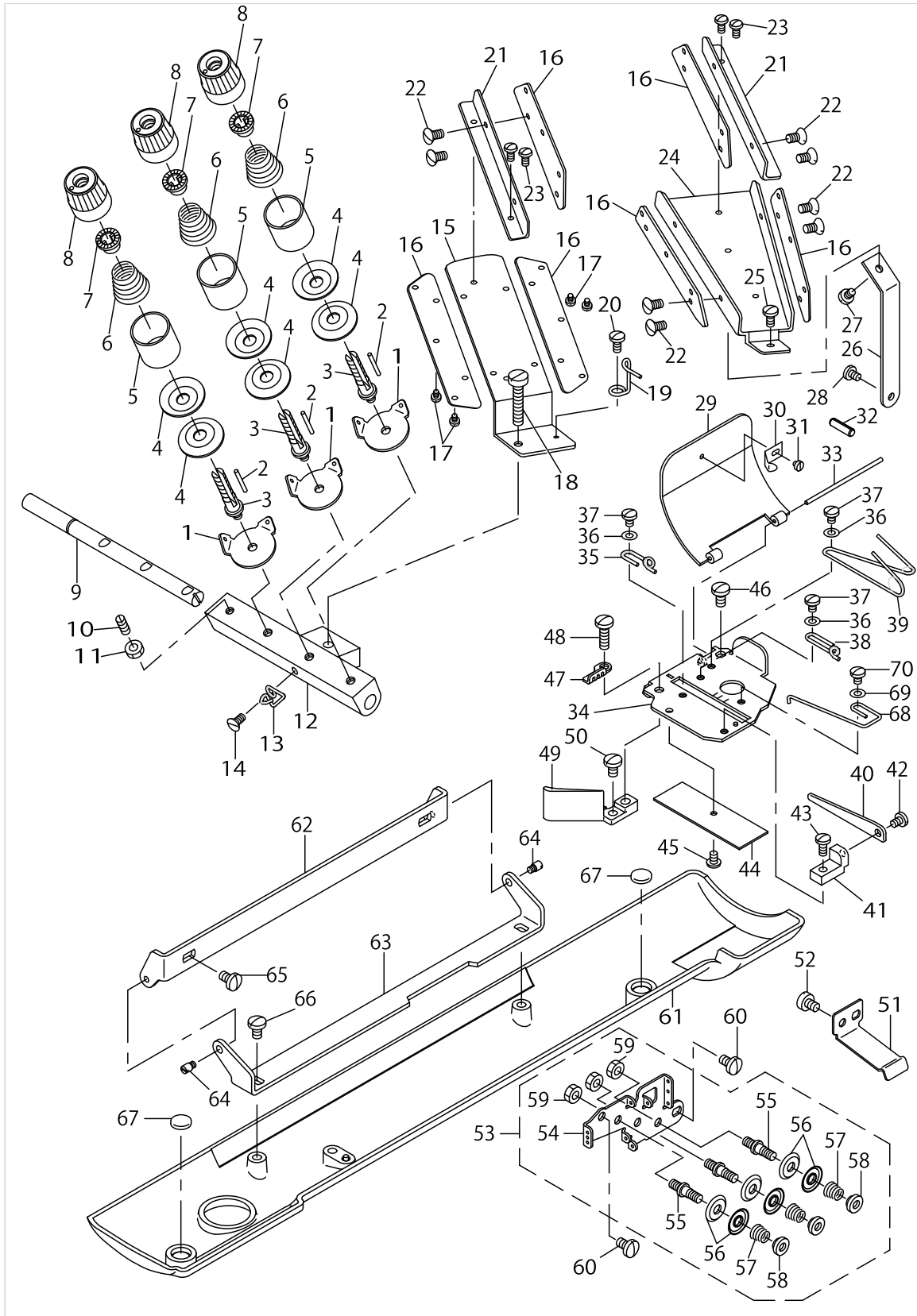
FRAME & MISCELLANEOUS COVER COMPONENTS



FRAME & MISCELLANEOUS COVER COMPONENTS

No.	Supply Code	Parts No.	Replacement	Parts name	Remarks	Choice	Step	Level	Cons	Qty	Rep. QTY
46		SS6090540SP		SCREW 9/64-40 L=5.0						2	
47		SS7090710SP		SCREW 9/64-40 L=6.8						1	
48		B1805019000		FRONT BUSHING COVER						1	
49		B1806019000		GASKET						1	
50		SS5090610SP		SCREW 9/64-40 L=6						4	
51		SS7740740SP		SCREW 3/8-28 L=6.5						2	
52		RO068190100		RUBBER RING						2	
53		12932158		PUSH BUTTON GUIDE ASM.						1	
54		12932000		PUSH BUTTON STUD				*		1	
55		12932109		PUSHBUTTON GUIDE				*		1	
56		B1622541000		SPRING				*		1	
57		RO040100210		O-RING				*		1	
58		RE0400000K0		E-RING 4				*		1	
59		B1806019000		GASKET						1	
60	R	SS7111120SP	SS7111120TP	SCREW 11/64-40 L=10.5						3	1.00
61		B1156019000		RUBBER CUSHION, C						1	
62		22920607		ARMTHREADGUIDEB						1	
63		SS7110710SP		SCREW 11/64-40 L=7						1	
64		12940102		LOOPER THREAD GUIDE PLATE						1	
65		SS7110710SP		SCREW 11/64-40 L=7						2	
66		B11041910A0		BELT COVER ASM.						1	
67		B110419100A		BELT COVER				*		1	
68	D	B110419100B		TOP COVER				*		1	
69		B110419100C		BELT COVER PLATE				*		1	
70		SS6110480SP		SCREW 11/64-40 L=4.3				*		10	
71		CM500300001		DIRECTION LABEL				*		1	
72		WP0370316SD		WASHER 3.7X8X0.3						3	
73		12943700		BELT GUARD INSTALLING BASE						1	
74		SS9284043CP		SCREW 7/16-16 L=40						2	
75		12951950		BED COVER ASM.						1	
76		12952008		BED COVER GASKET						1	
77		SS5110810SP		SCREW 11/64-40 L=8						11	
78		SS5820540SP		SCREW 1/2-28 L=5.0						1	
79		B1140019000		GASKET						1	
80		12970406		FELT A						1	
81		40060166		LABEL						1	
82		TA1600406R0		PLUG						1	
83		CM301200002		SAFETY LABEL_L						1	
84		CM300200001		ATTENTION SEAL						1	
85		22901805		GROUND MARK						1	
86		CM300200001		ATTENTION SEAL						1	
87		SS7151210SP		SCREW 15/64-28 L=12						4	

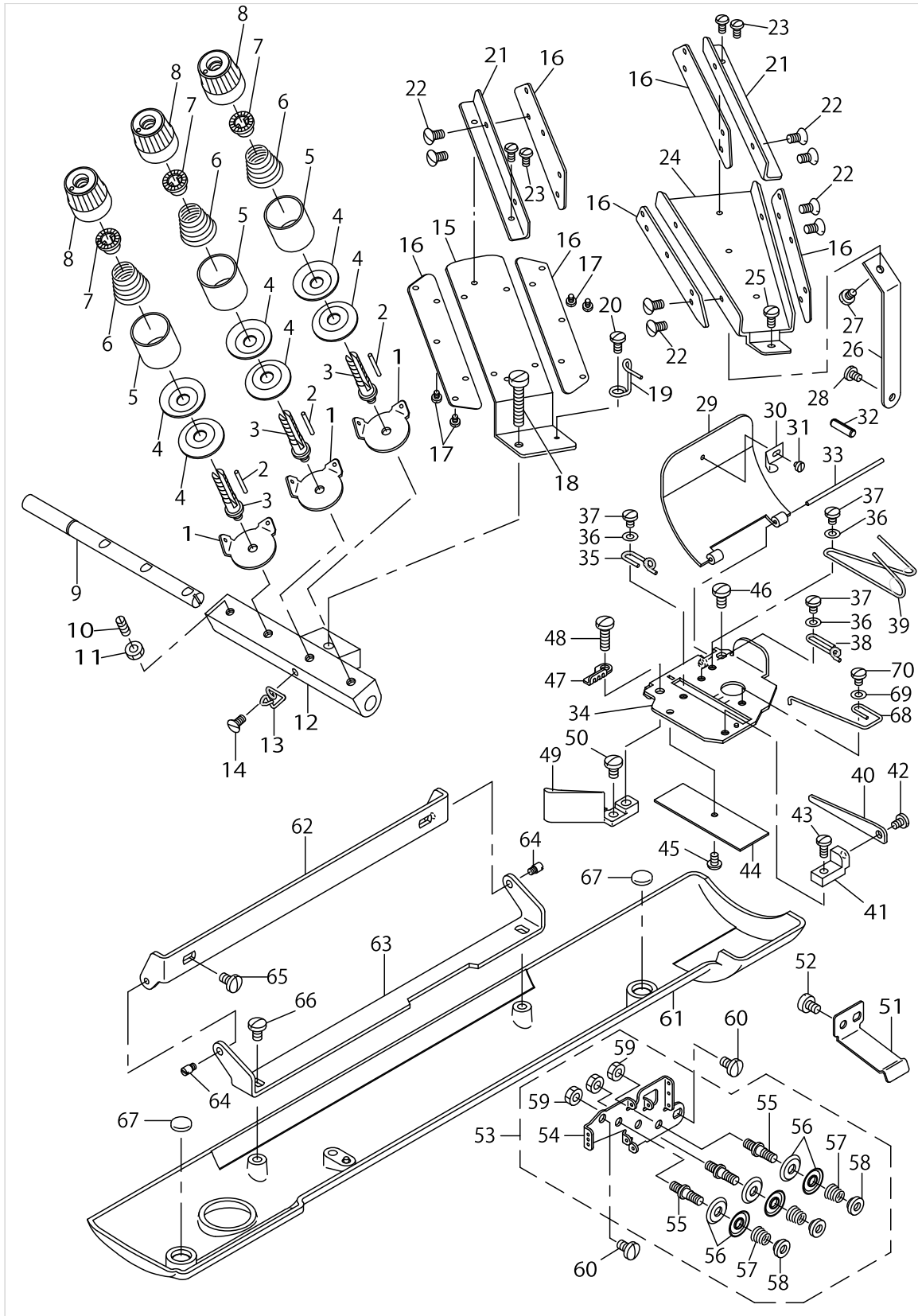
LOOPER THREAD GUIDE COMPONENTS



LOOPER THREAD GUIDE COMPONENTS

No.	Supply Code	Parts No.	Replacement	Parts name	Remarks	Choice	Step	Level	Cons	Qty	Rep. QTY
1		40085675		TENSION THREAD GUIDE						3	
2		B2310019000		TENSION RELEASING PIN						3	
3		40085671		TENSION POST						3	
4	R	B3126012000	22921506	THREAD TENSION DISK						6	1.00
5	R	11957305	13137609	TENSION DISC PRESSER						3	1.00
6		12938304		TENSION SPRING						3	
7		B3112704000		TENSION SPRING BUSHING						3	
8		11956703		THREAD TENSION KNOB, RED						3	
9		12966602		TENSION RELEASING SHAFT						1	
10		SS8111160SP		SCREW 11/64-40 L=11.0						1	
11		NS6110310SP		NUT 11/64-40						1	
12		40085676		TENSION STUD BUSHING						1	
13		12966701		LOWER THREAD GUIDE (LEFT)						1	
14		SS7090510SP		SCREW 9/64-40 L= 4.6						1	
15	R	12967600	40117113	THREAD GUIDE MOUNTING BRACKET						1	1.00
16		B2402019000		THREAD GUIDE						6	
17		SS7060510SP		SCREW 3/32-56 L=4.8						4	
18	D	SS4622340SP		SCREW 3/16-32 L=23						1	
19		B2421019000		THREAD EYELET						1	
20		SS7090510SP		SCREW 9/64-40 L= 4.6						1	
21	R	12967303	40117111	THREAD GUIDE FITTING PLATE						2	1.00
22		SS2060510SP		SCREW 3/32-56 L=4.5						8	
23		SS5060410SP		SCREW 3/32-56 L=3.5						4	
24	R	12967204	40117111	THREAD GUIDE BRACKET						1	1.00
25		SS7090710SP		SCREW 9/64-40 L= 6.8						1	
26	R	12967402	40117111	THREAD GUIDE BRACKET SUPPORT						1	1.00
27	R	SS7090520SP	SS7090520TP	SCREW 9/64-40 L= 4.5						1	1.00
28		SS4090815SP		SCREW 9/64-40 L=8						1	
29		12936803		LOOPER THREAD TAKE-UP COVER						1	
30		B2208019000		LOOPER THREAD TAKE-UP COVER SPRING						1	
31		SS6060210SP		SCREW 3/32-56 L= 1.9						1	
32		PS0500202KP		SPRING PIN 5X20						1	
33		12936902		LOOPER THREAD TAKE-UP PIN						1	
34		12935516		TENSION TAKE-UP STRIPPER PLATE						1	
35		12966305		LOOPER THREAD GUIDE (C)						1	
36		WP0371016SD		WASHER 3.7X8X1						3	
37		SS7090530SP		SCREW 9/64-40 L= 4.5						3	
38		12966206		LOOPER THREAD GUIDE (B)						1	
39		12966107		LOOPER THREAD GUIDE (A)						1	
40		12966008		LOOPER THREAD CAM PRESSER						1	
41		12935607		CAM HOLDER BRACKET						1	
42		SS7090530SP		SCREW 9/64-40 L= 4.5						1	
43		SS7090850SP		SCREW 9/64-40 L=8						1	
44		12936217		FELT						1	

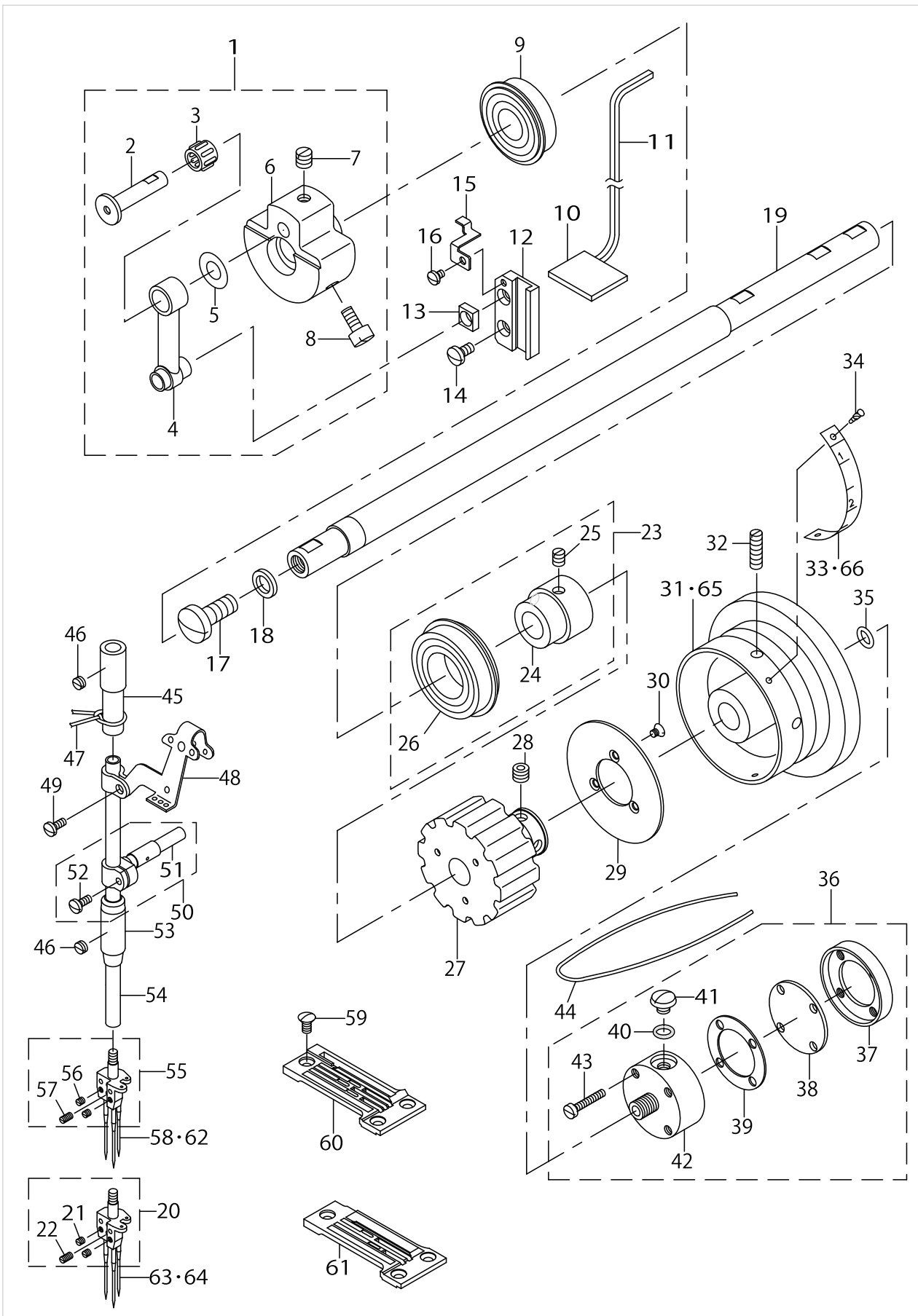
LOOPER THREAD GUIDE COMPONENTS



LOOPER THREAD GUIDE COMPONENTS

No.	Supply Code	Parts No.	Replacement	Parts name	Remarks	Choice	Step	Level	Cons	Qty	Rep. QTY
45		SS5090420SP		SCREW 9/64-40 L=3.5						1	
46		SS7110840SP		SCREW 11/64-40 L=7.8						1	
47		12935805		LOOPER THREAD GUIDE						1	
48	R	SS7111410SP	SS7111410TP	SCREW 11/64-40 L=14						1	1.00
49		12936506		STRIPPER PLATE BRACKET						1	
50		SS7110710SP		SCREW 11/64-40 L=7						1	
51		12922803		COVER SPRING						1	
52		SS6110610TP		SCREW 11/64-40 L=6						2	
53		12967758		LOOPER THREAD TENSION ASM.						1	
54		12939500		TENSION BASE PLATE				*		1	
55		12939609		TENSION POST				*		3	
56		12939708		TENSION DISC				*		6	
57		12939807		TENSION SPRING				*		3	
58		12939906		TENSION NUT				*		3	
59		NS6110350SP		NUT 11/64-40				*		3	
60		SS7110710SP		SCREW 11/64-40 L=7						2	
61		12951505		LOOPER THREAD TUBE COVER						1	
62		12921904		LOOPER THREAD T-UBE COVER HING						1	
63		12922001		LOOPER THREAD T-UBE COVER HING						1	
64		B1534816000		HINGE SCREW						2	
65		SS7110840SP		SCREW 11/64-40 L=7.8						2	
66		SS7110840SP		SCREW 11/64-40 L=7.8						2	
67		40038331		VIBRATION-PROOF RUBBER						2	
68		12935904		LOOPER THREAD GUIDE						1	
69		WP0371016SD		WASHER 3.7X8X1						1	
70		SS7090530SP		SCREW 9/64-40 L=4.5						1	

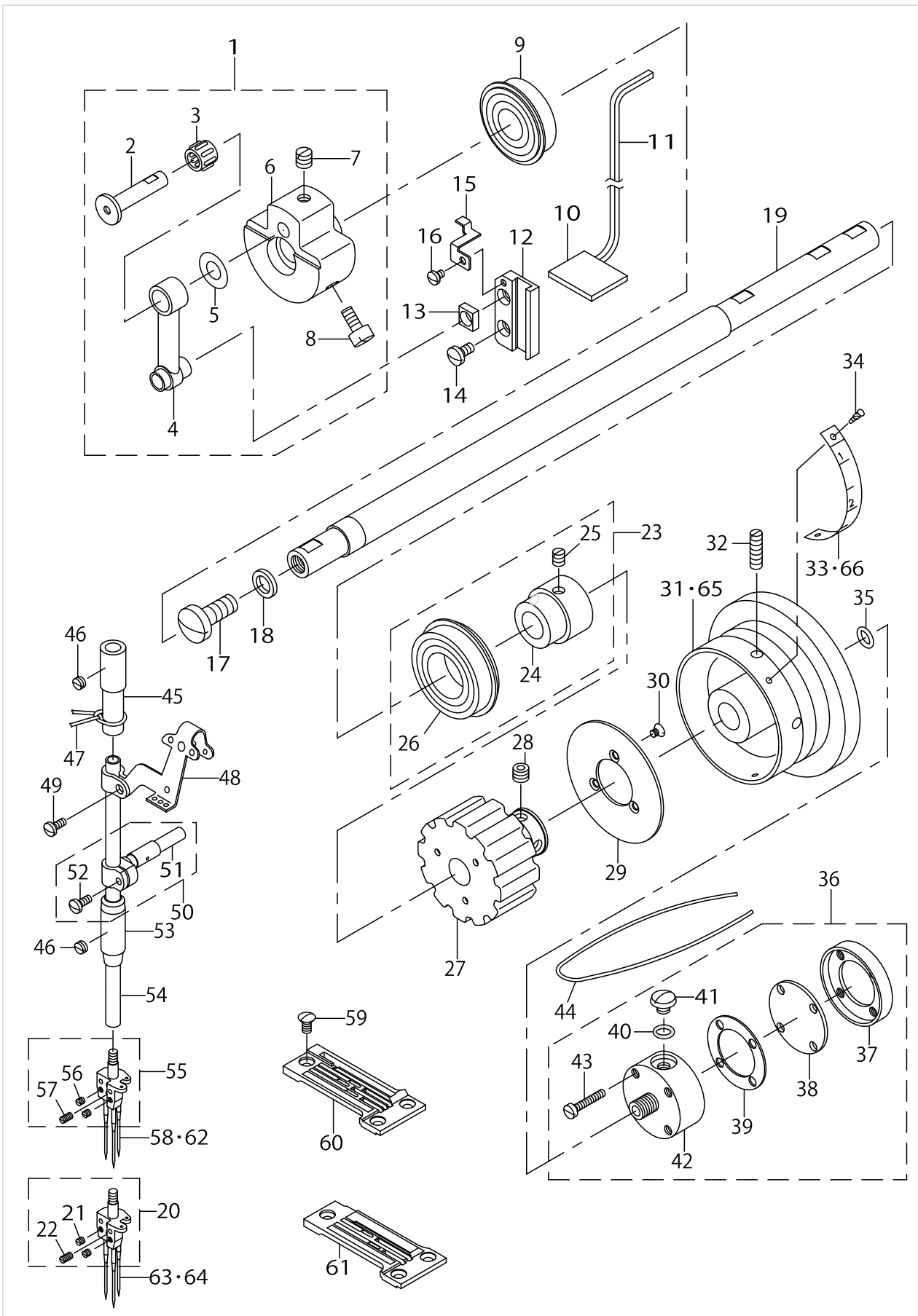
NEEDLE BAR & MAIN SHAFT COMPONENTS



NEEDLE BAR & MAIN SHAFT COMPONENTS

No.	Supply Code	Parts No.	Replacement	Parts name	Remarks	Choice	Step	Level	Cons	Qty	Rep. QTY
1		B12070260A0		COUNTERWEIGHT ASM.						1	
2		B12090190A0		NEEDLE BAR CRANK PIN ASM.				*		1	
3		B1236125BA0		NEEDLE BUSHING ASM.	SELECTIVE PART			*		1	
4		B1408038000		NEEDLE BAR CRANK ROD, B				*		1	
5		B1208019000		WASHER				*		1	
6		B1207026000		COUNTERWEIGHT				*		1	
7		SS8660410SP		SCREW 1/4-40 L= 4.2				*		2	
8		SS6151220SP		SCREW 15/64-28 L=11.5				*		2	
9		B1202512000		MAIN SHAFT BUSHING, FRONT						1	
10		B3510019000		OIL FELT						1	
11		B3541012000		OIL WICK						1	
12		B1412038000		SLIDE BLOCK GUIDE						1	
13		B1411019000		SLIDE BLOCK GUIDE						1	
14	R	SS7120910SP	SS7120910TP	SCREW 3/16-28 L=9						2	1.00
15		12943106		OIL WICK PRESSER						1	
16		SS7090530SP		SCREW 9/64-40 L= 4.5						1	
17		SS7740740SP		SCREW 3/8-28 L= 6.5						1	
18		B1222019000		PACKING						1	
19		12924502		MAIN SHAFT						1	
20		12956256		NEEDLE CLAMP (1/4") ASM.	REFER TO THE TABLE OF EXCHANGING PARTS ON P.17					1	
21		SS8080310TP		SCREW 1/8-44 L=2.8				*		2	
22		SS8080610SP		SCREW 1/8-44 L=5.5				*		1	
23		12924767		BUSHING REAR ASM.						1	
24		12924718		BUSHING				*		1	
25	R	SS8150710SP	SS8150710TP	SCREW 15/64-28 L=7				*		2	1.00
26		B1203512000		BUSHING, REAR				*		1	
27		12924916		SPROCKET WHEEL A						1	
28		SS8660522TP		SCREW 1/4-40 L=4.5						2	
29		12925004		PULLEY PLATE						1	
30		SS1090510SP		SCREW 9/64-40 L=5						3	
31		12955407		HAND WHEEL	FOR MS-1261					1	
32		SS8152030SP		SCREW 15/64-28 L=20						2	
33		12955506		HAND WHEEL SCALE PLATE	FOR MS-1261					1	
34		B1161227000		RIVET						2	
35		RO098240100		RUBBER RING						1	
36		40026875		OIL CUP BODY ASM.						1	
37	R	B3504019000	40026875	OIL CUP BODY CAP RETAINER				*		1	1.00
38	R	B3502019000	40026875	OIL CUP BODY CAP				*		1	1.00
39		B3503019000		OIL CUP BODY CAP GASKET				*		1	
40		RO069180100		RUBBER RING				*		1	
41		SS5660440SP		SCREW 1/4-40 L= 4.0				*		1	
42		40026874		OIL CUP BODY				*		1	
43		SS6092120SP		SCREW 9/64-40 L=21.2				*		4	
44		CQ252000000		OIL WICK						1	

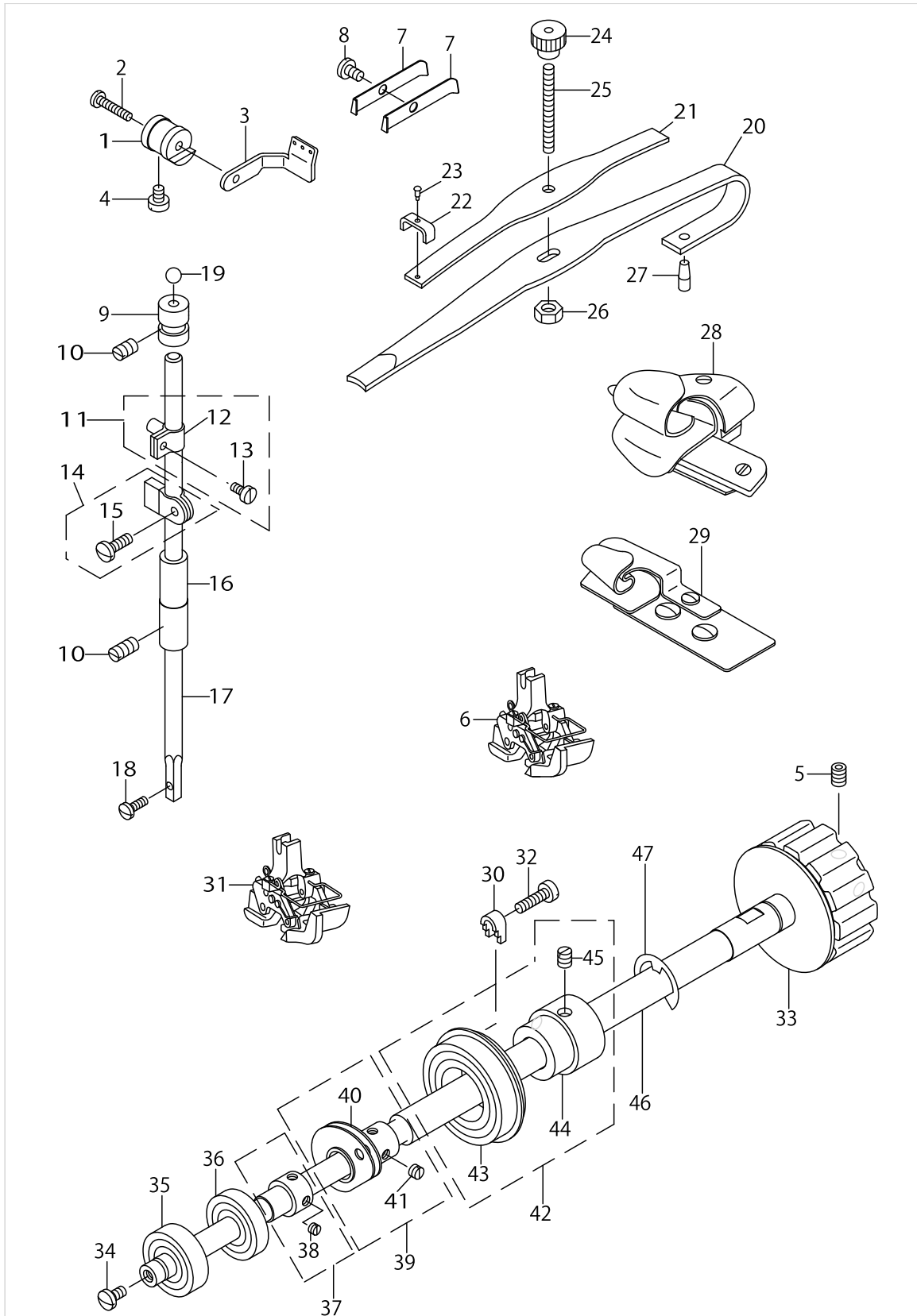
NEEDLE BAR & MAIN SHAFT COMPONENTS



NEEDLE BAR & MAIN SHAFT COMPONENTS

No.	Supply Code	Parts No.	Replacement	Parts name	Remarks	Choice	Step	Level	Cons	Qty	Rep. QTY
45		B1402026B0G		NEEDLE BAR BUSHING, UPPER						1	
46		SS8150310SP		SCREW 15/64-28 L= 3.4						2	
47	R	CQ300000000	CQ303000000	OIL WICK						.1	1.00
48		B1901026000		THREAD TAKE-UP						1	
49		SS7090910TP		SCREW 9/64-40 L=8.5						1	
50		B14090190B0		NEEDLE BAR CLAMP ASM.						1	
51		B1418019000		FELT				*		1	
52	R	SS7090910SP	SS7090910TP	SCREW 9/64-40 L=8.5				*		1	1.00
53		B1404026B0G		NEEDLE BAR BUSHING, LOWER						1	
54		B1401019000		NEEDLE BAR						1	
55		12956256		NEEDLE CLAMP (1/4") ASM.	REFER TO THE TABLE OF EXCHANGING PARTS ON P.17					1	
56		SS8080310TP		SCREW 1/8-44 L=2.8				*		2	
57		SS8080610SP		SCREW 1/8-44 L=5.5				*		1	
58		MC380001300		NEEDLE UY128GAS NM130	FOR JE(MS-1261)					3	
59		SS2110920TP		SCREW 11/64-40 L=8.5						3	
60		12953907		THROAT PLATE XH (1/4")	REFER TO THE TABLE OF EXCHANGING PARTS ON P.17					1	
61		12954509		THROAT PLATE MH (1/4")	REFER TO THE TABLE OF EXCHANGING PARTS ON P.17					1	
62		MUY128N2100		NEEDLE UYX128GAS-NY #21	FOR MS-1261					3	
63		MC380001200		NEEDLE UY128GAS NM120	FOR JE(MS-1261M)					3	
64		MUY128N1900		NEEDLE UYX128GAS-NY #19	FOR MS-1261M					3	
65		12978003		HAND WHEEL	FOR MS-1261M					1	
66		12978102		HAND WHEEL SCALE PLATE	FOR MS-1261M					1	

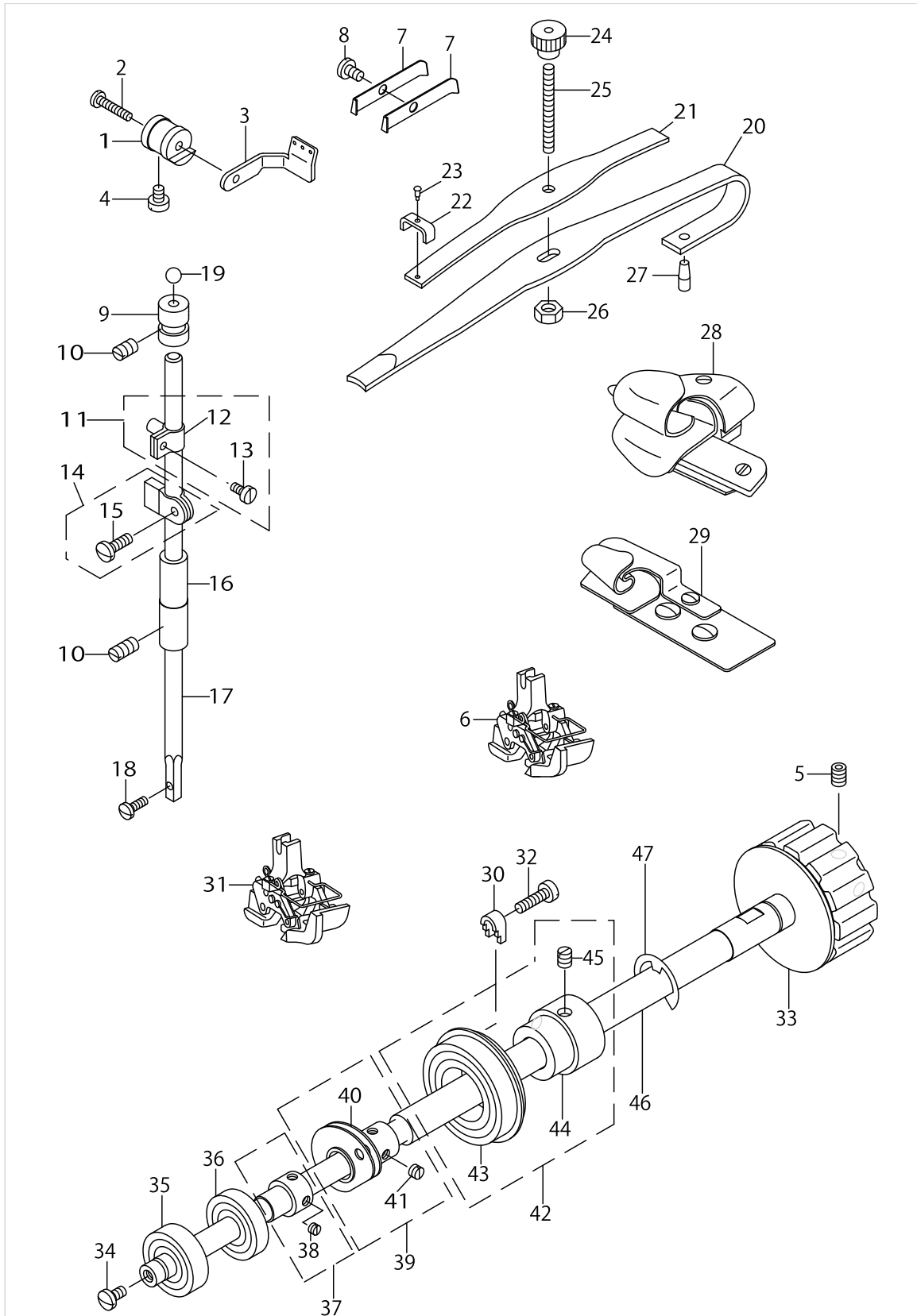
PRESSER BAR & LOWER SHAFT COMPONENTS



PRESSER BAR & LOWER SHAFT COMPONENTS

No.	Supply Code	Parts No.	Replacement	Parts name	Remarks	Choice	Step	Level	Cons	Qty	Rep. QTY
1		12968103		FITTING SHAFT						1	
2		SS7091410SP		SCREW 9/64-40 L=13.5						1	
3		12968202		LOOPER THREAD EYELET						1	
4		SS6110610TP		SCREW 11/64-40 L=6						1	
5		SS8150822TP		SCREW 15/64-28 L=8						2	
6		12956066		PRESSER MH(1/4") ASM.,EXPORT	REFER TO THE TABLE OF EXCAH-NGING PA-RTS ON P.17					1	
7		B1127026000		LOOPER GATE RETAINING SPRING						2	
8		SS7090710SP		SCREW 9/64-40 L= 6.8						1	
9		B1502019000		PRESSER BAR UPPER BUSHING						1	
10		SS8150310SP		SCREW 15/64-28 L= 3.4						2	
11		22906457		NEEDLE BAR HOLDER ASM.						1	
12	R	22906408	22906457	NEEDLERODHOLDER				*		1	1.00
13		SS6090670TP		SCREW 9/64-40 L=6				*		1	
14		B15040190A0		PRESSER BAR GUI-DE BRACKET ASM.						1	
15		SS7111110TP		SCREW 11/64-40 L=10.5				*		1	
16		B1503026000		PRESSER BAR LOWER BUSHING						1	
17		B1501019000		PRESSER BAR						1	
18	R	SS7091110SP	SS7091110TP	SCREW 9/64-40 L=10.5						1	1.00
19		B1506019000		PRESSER BAR STEEL BALL						1	
20		B2327019000		PRESSER BAR SPRING						1	
21		B2329019000		PRESSER BAR SPRING UPPER						1	
22		B2330019000		PRESSER BAR SPRING RETAINER						1	
23		A116100100B		RIVET						1	
24		B2326019000		PRESSER REGULAT-ING SCREW NUT (B)						1	
25		B2324261000		PRESSER REGULATING SCREW						1	
26		NS6120310SP		NUT 3/16-28						1	
27		B2328019000		PRESSER BAR SPRING PIN						1	
28		MAM2990BBBA		HOLDER 1/4XH ASM.	REFER TO THE TABLE OF EXCAH-NGING PA-RTS ON P.17					1	
29		MAM2970EEBA		FOLDER 1/4MH	REFER TO THE TABLE OF EXCAH-NGING PA-RTS ON P.17					1	
30		12924809		METAL PRESSER						3	
31		12957064		PRESSER 1/4" ASM.,EXPORT	REFER TO THE TABLE OF EXCAH-NGING PA-RTS ON P.17					1	
32		SS6111610SP		SCREW 11/64-40 L=16						3	
33		12933719		SPROCKET WHEEL B						1	
34		SS7110830SP		SCREW 11/64-40 L= 7.5						1	
35		B1802019000		BALL BEARING, FRONT						1	
36		B1803019000		BALL BEARING, INTERMEDIATE						1	
37		B18080190A0		SLEEVE ASM.						1	

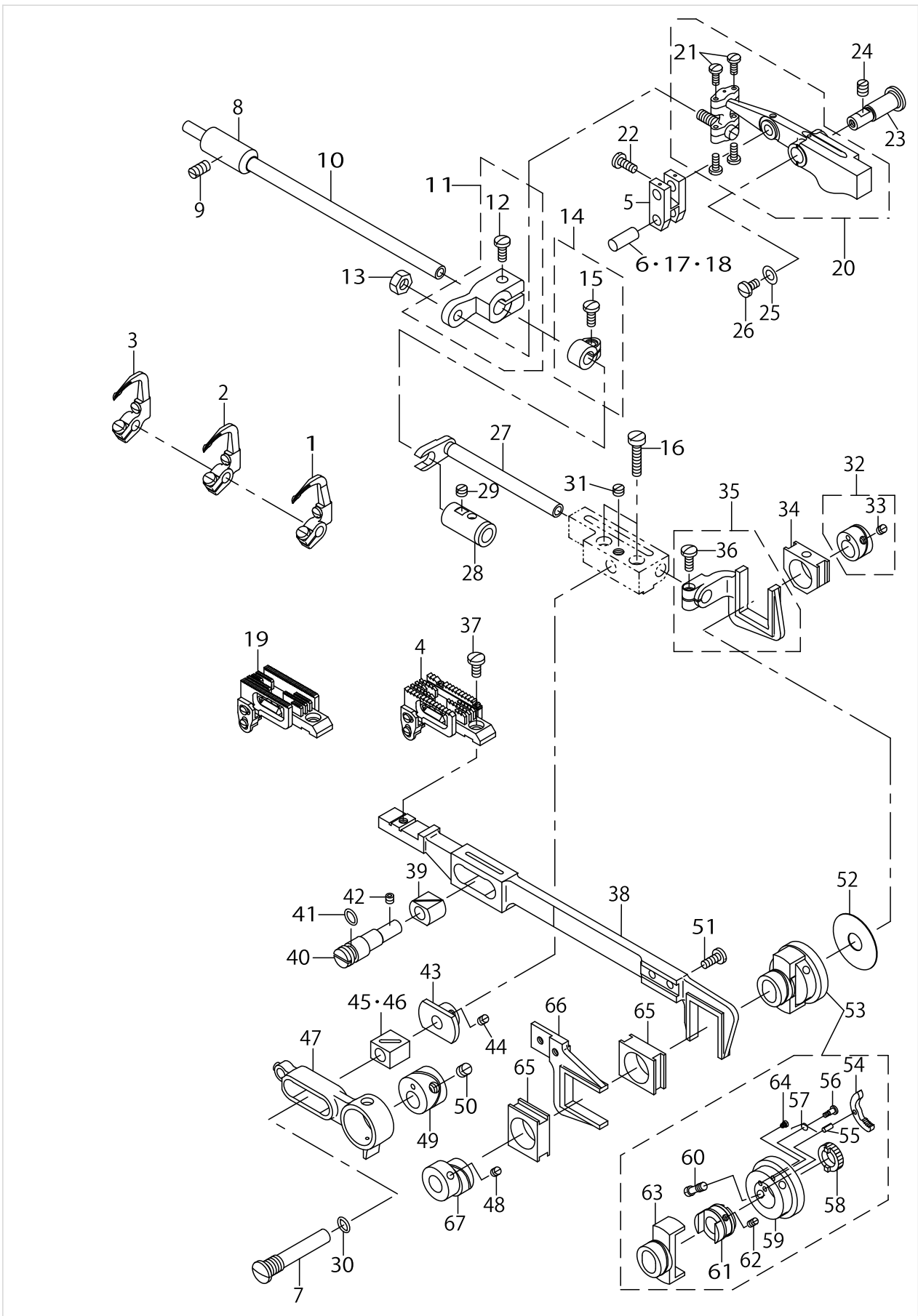
PRESSER BAR & LOWER SHAFT COMPONENTS



PRESSER BAR & LOWER SHAFT COMPONENTS

No.	Supply Code	Parts No.	Replacement	Parts name	Remarks	Choice	Step	Level	Cons	Qty	Rep. QTY
38		SS8110310SP		SCREW 11/64-40 L= 2.8				*		2	
39		12966552		LOOPER THREAD CAM ASM.						1	
40	R	12966503	12966552	LOOPER THREAD CAM				*		1	1.00
41		SS8110310SP		SCREW 11/64-40 L= 2.8				*		2	
42		12924767		BUSHING REAR ASM.						1	
43		B1203512000		BUSHING, REAR				*		1	
44		12924718		BUSHING				*		1	
45	R	SS8150710SP	SS8150710TP	SCREW 15/64-28 L=7				*		2	1.00
46		12965513		LOOPER SHAFT						1	
47		RE1200000K0		E-RING 12						1	

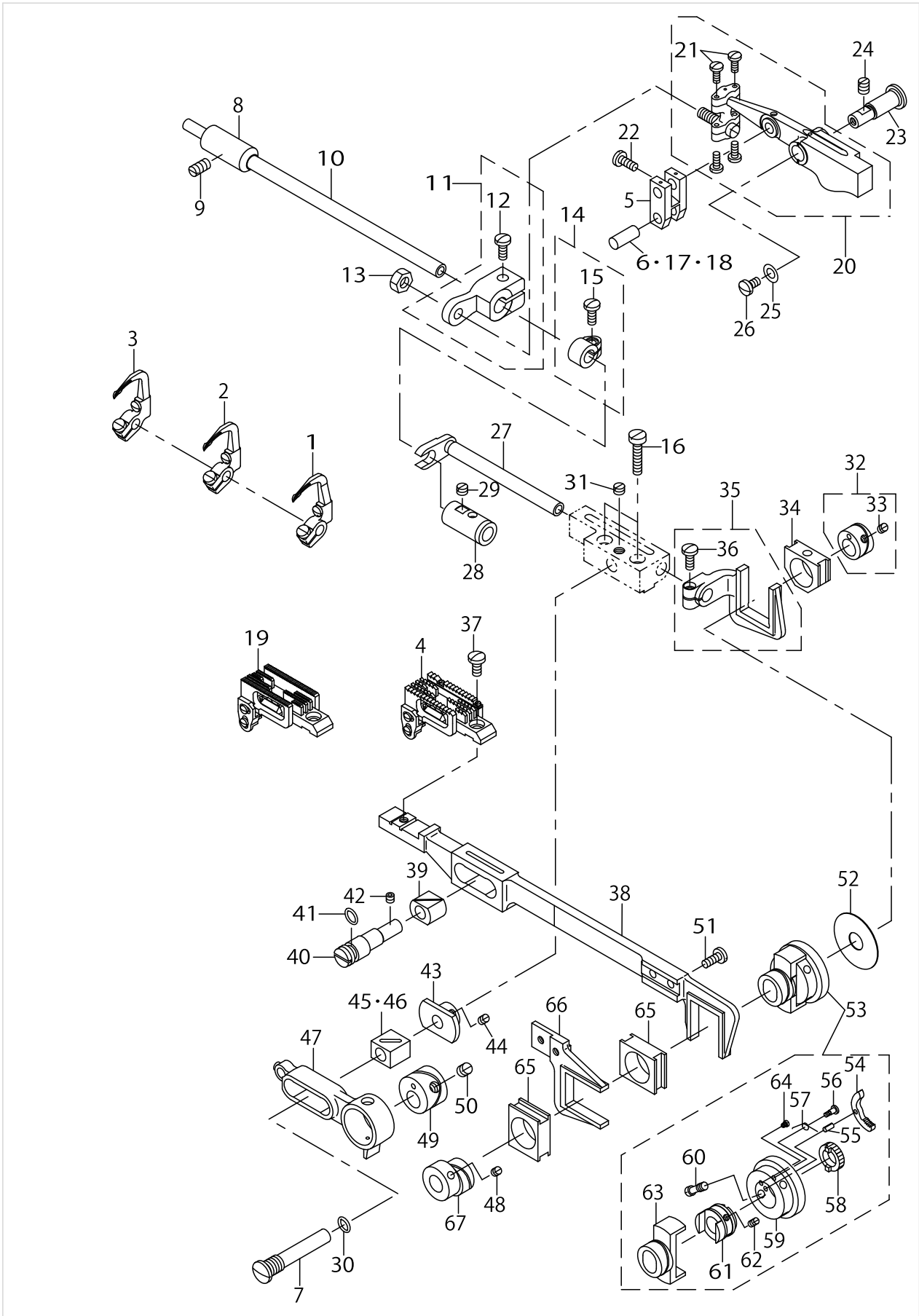
FEED MECHANISM COMPONENTS



FEED MECHANISM COMPONENTS

No.	Supply Code	Parts No.	Replacement	Parts name	Remarks	Choice	Step	Level	Cons	Qty	Rep. QTY
1		12968558		LOOPER L (1) ASM.	FOR MS-1-261,1261M REFER TO THE TABLE OF EXCHANGING PARTS ON P.17					1	
2		12968855		LOOPER R (1) ASM.	FOR MS-1-261,1261M REFER TO THE TABLE OF EXCHANGING PARTS ON P.17					1	
3		12969150		LOOPER C (1) ASM.	FOR MS-1-261,1261M REFER TO THE TABLE OF EXCHANGING PARTS ON P.17					1	
4		12965059		FEED DOG XH(1/4") ASM.	FOR MS-1-261 REFER TO THE TABLE OF EXCHANGING PARTS ON P.17					1	
5		B2115191000		FEED ROCKER CONNECTING LINK						1	
6		B2116191000		FEED CONNECTING LINK PIN						2	
7		B2106026000		SLIDE BLOCK PIN						1	
8		B2502019000		BUSHING, FRONT						1	
9	R	SS8151150SP	SS8151150TP	SCREW 15/64-28 L=10.5						1	1.00
10		12968004		LOOPER SHAFT						1	
11		B21230260A0		FEED ROCKER ASM.						1	
12		SS7111110TP		SCREW 11/64-40 L=10.5				*		1	
13		NS6150310SP		NUT 15/64-28						1	
14		B25050190A0		CONNECTION CRANK ASM.						1	
15		SS7111110TP		SCREW 11/64-40 L=10.5				*		1	
16		SS6122030SP		SCREW 3/16-28 L=20						2	
17		B211619100A		FEED CONNECTING LINK PIN	SELECTIVE PART					2	
18		B211619100B		FEED CONNECTING LINK PIN	SELECTIVE PART					2	
19		12969952		FEED DOG MH(1/4") ASM.	FOR MS-1-261M REFER TO THE TABLE OF EXCHANGING PARTS ON P.17					1	
20		B21020260A0A		FEED ROCKER ASM.						1	
21		SS7090920SP		SCREW 9/64-40 L=8.5				*		4	
22		SS7080510TP		SCREW 1/8-44 L=4.5						4	
23		B2107019000		FEEDROCKER SHAFT						1	
24	R	SS8150710SP	SS8150710TP	SCREW 15/64-28 L=7						1	1.00
25		40040608		PACKING						1	
26		SS7110830SP		SCREW 11/64-40 L= 7.5						1	
27		B2002026000A		LOOPER AVOIDING SHAFT BRACKET						1	
28		B2503019000		LOOPER ROCKER SHAFT BUSHING, R						1	
29		SS8150310SP		SCREW 15/64-28 L= 3.4						1	
30		RO095200100		RUBBER RING						1	

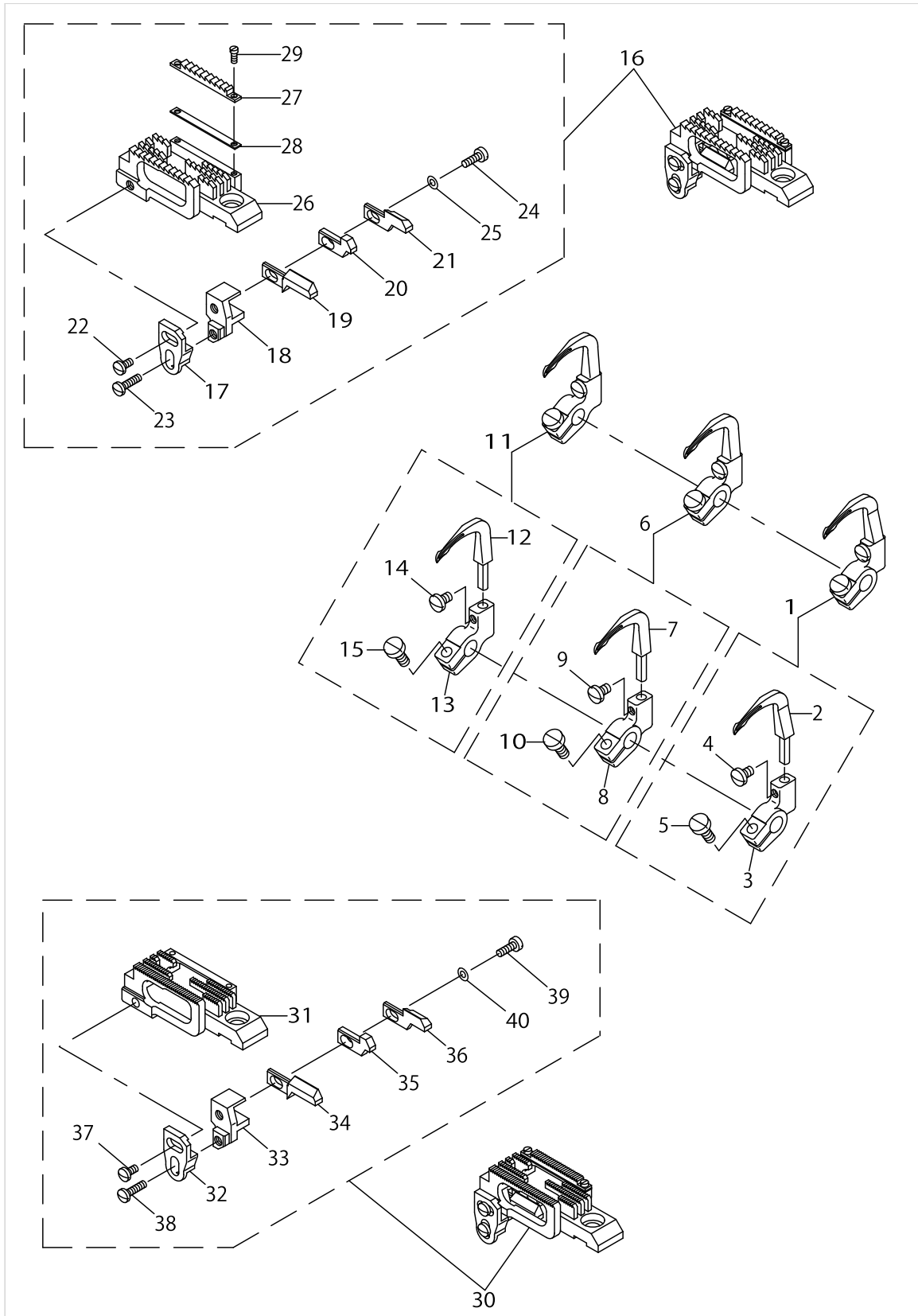
FEED MECHANISM COMPONENTS



FEED MECHANISM COMPONENTS

No.	Supply Code	Parts No.	Replacement	Parts name	Remarks	Choice	Step	Level	Cons	Qty	Rep. QTY
31	R	SS8150410SP	SS8150410TP	SCREW 15/64-28 L=4						1	1.00
32		B20060190A0		LOOPER AVOIDING ECCENTRIC CAM						1	
33		SS8110410TP		SCREW 11/64-40 L= 3.5				*		2	
34		B1635191000		SLIDE BLOCK						1	
35		B20012610A0		LOOPER AVOIDING SHAFT ASM.						1	
36		SS7111110TP		SCREW 11/64-40 L=10.5				*		1	
37		SS7621040SP		SCREW 3/16-32 L=9.5						1	
38		B1601026000		FEED BAR						1	
39		B1610019000		SLIDE BLOCK						1	
40		12962809		ADJUSTING SHAFT						1	
41		RO061180100		RUBBER RING						1	
42		SS8110422TP		SCREW 11/64-40 L=4						1	
43		B2108026000		SLIDE BLOCK STOPPER						1	
44	R	SS8110510SP	SS8110520TP	SCREW 11/64-40 L=5						1	1.00
45		B2105019000		FEED ROCKER SLIDE BLOCK	SELECTIVE PART					1	
46	D	B210501900A		FEED ROCKER SLIDE BLOCK	SELECTIVE PART					1	
47		B2101261000A		FEED ROCKER DRIVING LEVER						1	
48		SS8660612TP		SCREW 1/4-40 L=6						2	
49		B21032610A0		FEED ECCENTRIC CAM						1	
50		SS8660612TP		SCREW 1/4-40 L=6						2	
51		SS7111110TP		SCREW 11/64-40 L=10.5						1	
52		12931903		BODY CAP						1	
53		12963062		FEED ECCENTRIC BASE ASM.						1	
54		B1624191000		RATCHET PAWL				*		1	
55		PS0250081K0		SPRING PIN 2.5X8				*		1	
56		B1626191000		SCREW				*		1	
57		B1625191000		RATCHET PAWL SPRING				*		1	
58		B1623191000		RATCHET GEAR				*		1	
59		12963005		FEED ECCENTRIC				*		1	
60		12931606		SCREW				*		1	
61		12931507		FEED ECCENTRIC BODY				*		1	
62		SS8110410TP		SCREW 11/64-40 L= 3.5				*		2	
63		B1621261000A		FEED ECCENTRIC GUIDE				*		1	
64		12931705		SCREW				*		1	
65		B1606191000		FEED ECCENTRIC SLIDE BLOCK						2	
66		B1602019000		FEED LIFTING FOR- KED CONNECTION						1	
67		12962601		FEED ECCENTRIC CAM						1	

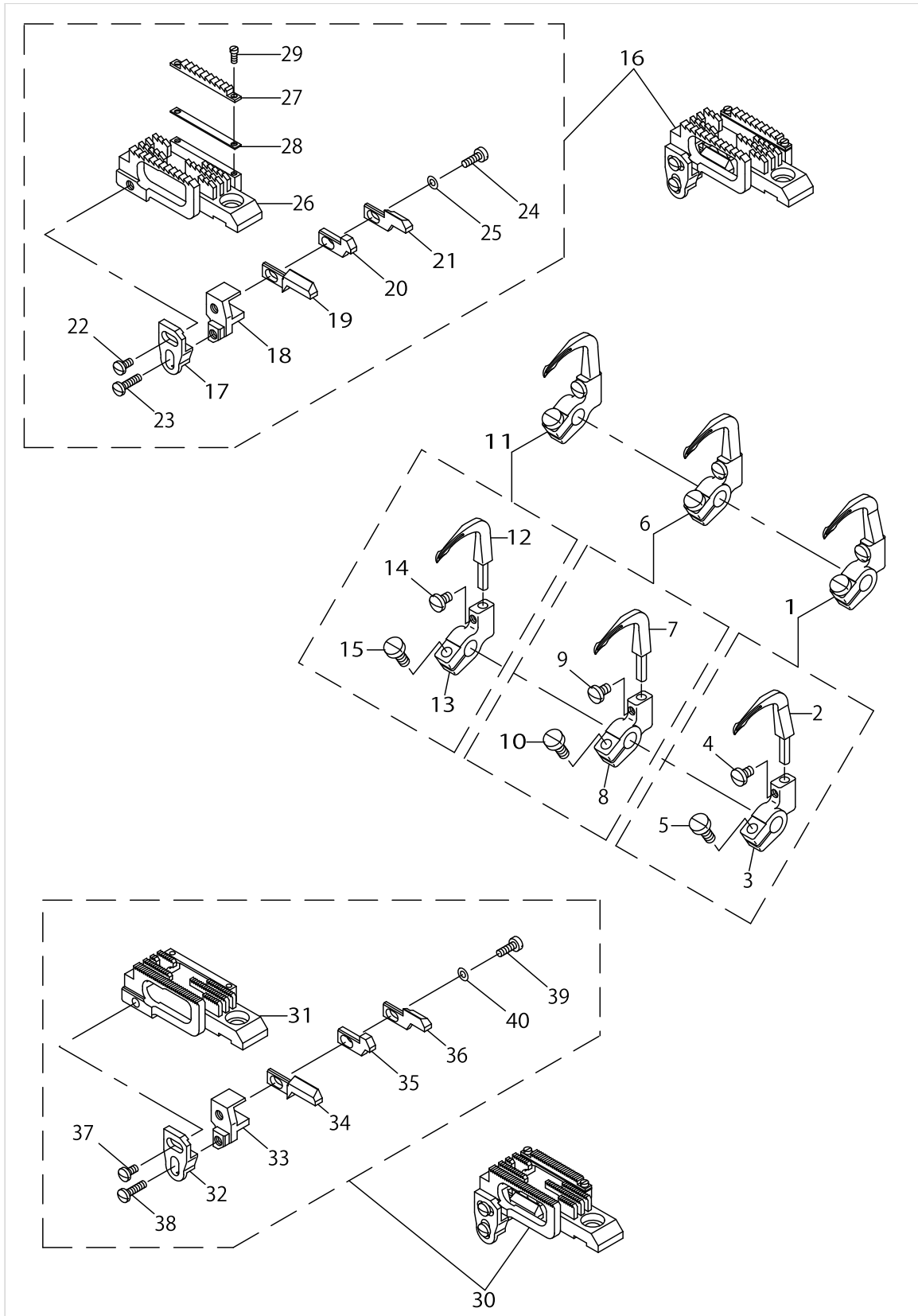
LOOPER & FEED DOG COMPONENTS



LOOPER & FEED DOG COMPONENTS

No.	Supply Code	Parts No.	Replacement	Parts name	Remarks	Choice	Step	Level	Cons	Qty	Rep. QTY
1		12968558		LOOPER L (1) ASM.	FOR MS-1-261,1261M REFER TO THE TABLE OF EXCHANGING PARTS ON P.17					1	
2		12968509		LOOPER L (1)				*		1	
3		12942009		LOOPER HOLDER,2				*		1	
4		SS4080620TP		SCREW 1/8-44 L=6				*		1	
5		SS7090910TP		SCREW 9/64-40 L=8.5				*		1	
6		12968855		LOOPER R (1) ASM.	FOR MS-1-261,1261M REFER TO THE TABLE OF EXCHANGING PARTS ON P.17					1	
7		12968806		LOOPER R (1)				*		1	
8		12969309		LOOPER HOLDER (3)				*		1	
9		SS4080620TP		SCREW 1/8-44 L=6				*		1	
10		SS7090910TP		SCREW 9/64-40 L=8.5				*		1	
11		12969150		LOOPER C (1) ASM.	FOR MS-1-261,1261M REFER TO THE TABLE OF EXCHANGING PARTS ON P.17					1	
12		12969101		LOOPER C (1)				*		1	
13		12941100		LOOPER HOLDER,1				*		1	
14		SS4080620TP		SCREW 1/8-44 L=6				*		1	
15		SS7090910TP		SCREW 9/64-40 L=8.5				*		1	
16		12965059		FEED DOG XH(1/4") ASM.	FOR MS-1-261 REFER TO THE TABLE OF EXCHANGING PARTS ON P.17					1	
17		12964409		NEEDLE HOLDER ADJUSTING BASE				*		1	
18		12964805		NEEDLE HOLDER (A)				*		1	
19		40080579		NEEDLE POSITIONER (L)				*		1	
20		12964607		NEEDLE HOLDER (INSIDE)				*		1	
21		40080580		NEEDLE POSITIONER (R)				*		1	
22		SS7090510SP		SCREW 9/64-40 L=4.6				*		1	
23		SS7091110TP		SCREW 9/64-40 L=10.5				*		1	
24		SS7091110TP		SCREW 9/64-40 L=10.5				*		1	
25		WP0450000SD		WASHER 4.5X8X0.5				*		1	
26	R	12965000	12965059	FEED DOG XH(1/4")				*		1	1.00
27		12963807		ADJUSTING FEED DOG XH				*		1	
28		12963906		FEED DOG ADJUSTING PLATE (A)				*		1	
29		12964300		ADJUSTING FEED DOG SETSCREW				*		2	
30		12969952		FEED DOG MH(1/4") ASM.	FOR MS-1-261M REFER TO THE TABLE OF EXCHANGING PARTS ON P.17					1	

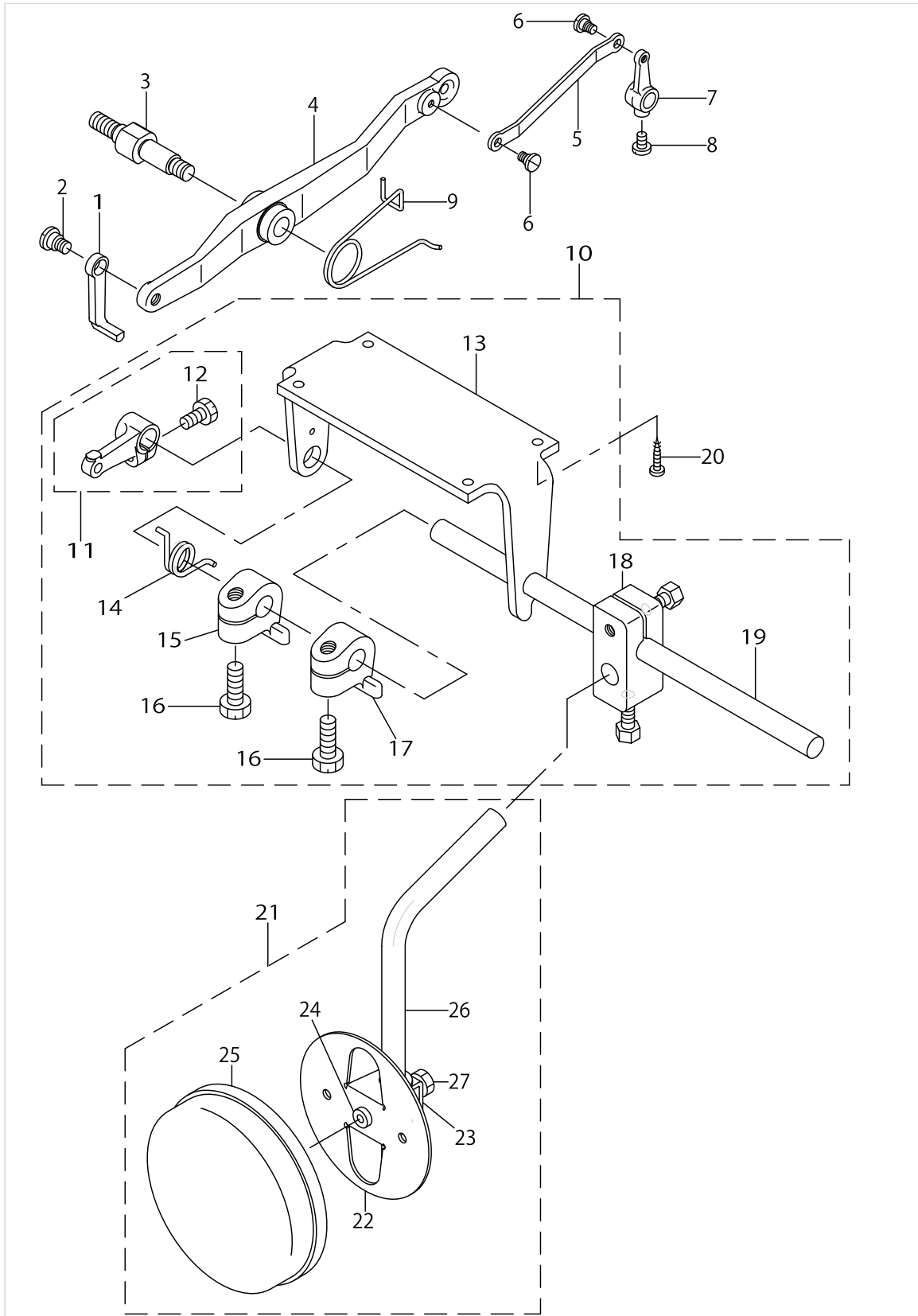
LOOPER & FEED DOG COMPONENTS



LOOPER & FEED DOG COMPONENTS

No.	Supply Code	Parts No.	Replacement	Parts name	Remarks	Choice	Step	Level	Cons	Qty	Rep. QTY
31		12969903		FEED DOG MH(1/4")				*		1	
32		12964409		NEEDLE HOLDER A-DJUSTING BASE				*		1	
33		12964805		NEEDLE HOLDER (A)				*		1	
34		40080579		NEEDLE POSITIONER (L)				*		1	
35		12964607		NEEDLE HOLDER (INSIDE)				*		1	
36		40080580		NEEDLE POSITIONER (R)				*		1	
37		SS7090510SP		SCREW 9/64-40 L=4.6				*		1	
38		SS7091110TP		SCREW 9/64-40 L=10.5				*		1	
39		SS7091110TP		SCREW 9/64-40 L=10.5				*		1	
40		WP0450000SD		WASHER 4.5X8X0.5				*		1	

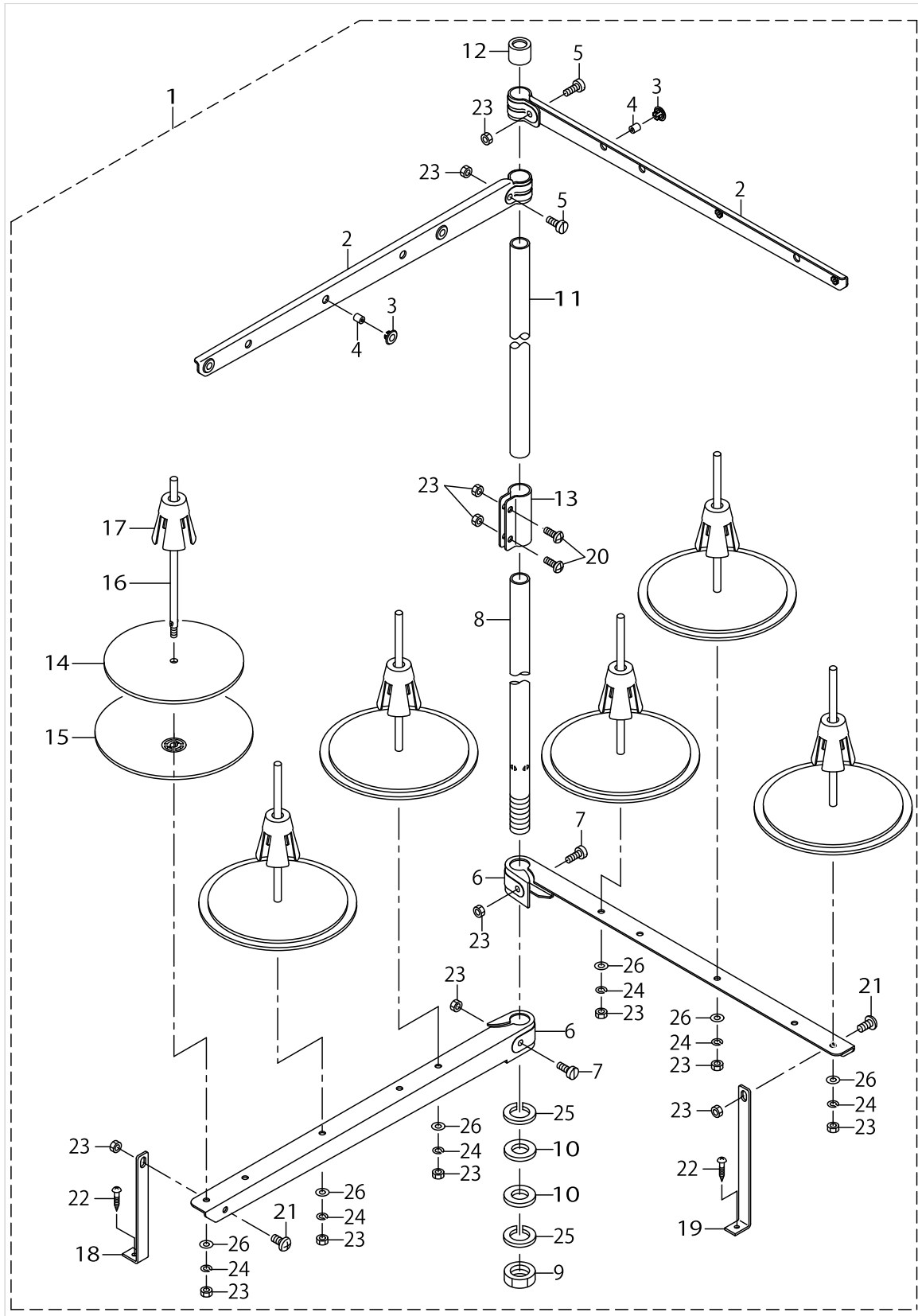
KNEE LIFTER COMPONENTS



KNEE LIFTER COMPONENTS

No.	Supply Code	Parts No.	Replacement	Parts name	Remarks	Choice	Step	Level	Cons	Qty	Rep. QTY
1		B2322019000		PRESSER BAR LIFT- ING BRACKET LIFTER						1	
2		SD0790431SP		HINGE SCREW D= 7.94 H= 4.3						1	
3		B3701019000		HINGE SCREW						1	
4		B231919100A		PRESSER BAR LIFTING LEVER						1	
5		B2315019000		TENSION RELEASIN- G CONNECTING LINK						1	
6		SD0450211SP		HINGE SCREW D= 4.50 H= 2.1						2	
7		B2317019000		TENSION RELEASIN- G SHAFT CRANK						1	
8		SS7110710SP		SCREW 11/64-40 L=7						1	
9		B2321019000		PRESSER BAR LIFT- ING LEVER SPRING						1	
10		B81011910A0		KNEE LIFTER ASM.						1	
11		B81021910A0		KNEE LIFTER LEVER ASM.				*		1	
12		SS9151210TP		SCREW 15/64-28 L=11.8				*		1	
13	D	B8101191000		KNEE DRIVING SHAFT MOUNTING				*		1	
14		B8511180000		SPRING				*		1	
15		12944906		KNEE LIFTER SPRING RACK ARM				*		1	
16		SS9182010TE		BOLT 9/32-20 L=20				*		2	
17		12944906		KNEE LIFTER SPRING RACK ARM				*		1	
18		22932453		BRACKET ASM.				*		1	
19		B3421012000		KNEE PRESS ROD				*		1	
20		SK3452500SC		WOOD SCREW D=4.5 L=25						4	
21		22934251		KNEE PAD PLATE ASM.						1	
22		22934202		KNEE PAD PLATE				*		1	
23		22934301		KNEE PAD PLATE SUPPORT				*		1	
24		22934400		KNEE PAD PLATE RUBBER				*		1	
25		22934509		KNEE PAD PLATE COVER				*		1	
26		22934608		KNEE PAD UPRIGHT SHAFT				*		1	
27		SM9061203SE		SCREW M6 L=12				*		1	

THREAD STAND COMPONENTS

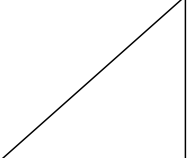
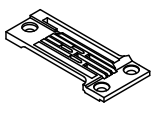
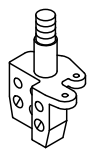
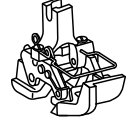
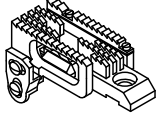


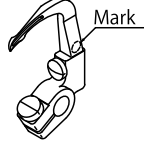
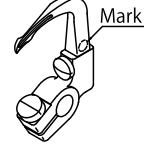
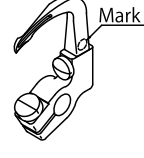
THREAD STAND COMPONENTS

No.	Supply Code	Parts No.	Replacement	Parts name	Remarks	Choice	Step	Level	Cons	Qty	Rep. QTY
1		40111348		THREAD STAND ASM.						1	
2		40106575		SPOOL REST LONG ARM UPPER				*		2	
3		40085795		THREAD GUIDE BUSHING				*		6	
4		40085794		THREAD GUIDE				*		6	
5	R	40096327	SM4053001SE	SPOOL REST ARM UPPER SCREW				*		2	1.00
6		40106574		SPOOL REST LONG ARM LOWER				*		2	
7		40096326		SPOOL REST ARM LOWER SCREW				*		2	
8		40085784		SPOOL REST ROD LOWER				*		1	
9		40096325		SPOOL REST ROD NUT				*		1	
10		40085796		SPOOL REST ROD RUBBER CUSHION				*		2	
11		40085785		SPOOL REST ROD UPPER				*		1	
12		40085793		SPOOL REST ROD RUBBER CAP				*		1	
13		40085792		SPOOL REST ROD JOINT				*		1	
14		40085789		SPOOL REST CUSHION				*		6	
15		40085788		SPOOL REST				*		6	
16		40085790		SPOOL PIN				*		6	
17		40085791		SPOOL RETAINER				*		6	
18		40106577		SPOOL REST ARM LOWER A				*		1	
19		40106578		SPOOL REST ARM LOWER B				*		1	
20		SM4051405SE		SCREW M5 L=14				*		2	
21		SM4051001SE		SCREW M5 L=10				*		2	
22		SK3412001SE		WOOD SCREW D=4.1 L=20				*		2	
23		NM6050001SE		NUT M5				*		14	
24		WP0531001SC		WASHER M5				*		6	
25		WP1612616SE		WASHER 16X30X2.6				*		2	
26		WS0510002KN		SPRING WASHER M5				*		6	

TABLE OF EXCHANGING GAUGE PARTS (1)

MS-1261 (For Extra heavy-weight)
MS-1261 (極厚物用)

Description 品名			Gauge set (with finger guard)		Throat plate		Needle clamp asm.		Presser foot asm. (with finger guard)		Feed dog asm.	
			ゲージセット (指ガード付)		針板		針留(組)		押さえ(組) (指ガード付)		送り歯(組)	
Needle gauge size 針幅												
Code ゲージ 記号												
	inch	mm	Ref.No	Part No.	Ref.No	Part No.	Ref.No	Part No.	Ref.No	Part No.	Ref.No	Part No.
E	7/32	5.6	1	12954061	6	12954004	11	12956355	16	12957163	21	12965158
F	1/4	6.4	2	12953964	7	12953907	12	12956256	17	12957064	22	12965059
G	9/32	7.2	3	12954160	8	12954103	13	12956454	18	12957262	23	12965257
H	5/16	8.0	4	12954269	9	12954202	14	12956553	19	12957361	24	12965356
K	3/8	9.5	5	12954368	10	12954301	15	12956652	20	12957460	25	12965455

Description 品名			Looper asm. (L)			Looper asm. (R)			Looper asm. (C)		
			ルーパ(L)(組)			ルーパ(R)(組)			ルーパ(C)(組)		
Needle gauge size 針幅											
Code ゲージ 記号											
	inch	mm	Ref.No	Part No.	Mark No.	Ref.No	Part No.	Mark No.	Ref.No	Part No.	Mark No.
E	7/32	5.6	26	12968558	1	28	12968855	1	30	12969150	1
F	1/4	6.4		↑	1		↑	1		↑	1
G	9/32	7.2		↑	1		↑	1		↑	1
H	5/16	8.0	27	12968657	2	29	12968954	2		↑	1
K	3/8	9.5		↑	2		↑	2		↑	1

Spacer for feed dog(FOR MS-1261) 送り歯用スペーサ(MS-1261用)				
No.	Thickness 板厚(mm)	Ref.No	Part No.	Description 品名
①	0.3	31	12976601	Adjusting plate B 送り歯調節板 B
②	0.8	32	12976700	Adjusting plate C 送り歯調節板 C
③	1.0	33	12976809	Adjusting plate D 送り歯調節板 D

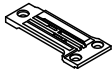
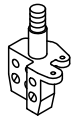

The spacer is not included in gauge set.
スペーサは、ゲージセットには含まれません。

TABLE OF EXCHANGING GAUGE PARTS (1)

No.	Supply Code	Parts No.	Replacement	Parts name	Remarks	Choice	Step	Level	Cons	Qty	Rep. QTY
1		12954061		WITH FINGER GUAR-D GAUGE, 7/32.						1	
2		12953964		GAUGE SET 1/4						1	
3		12954160		GAUGE SET 9/32						1	
4		12954269		GAUGE SET, 5/16, FINGER GUARD						1	
5		12954368		WITH FINGER GUARD GAUGE, 3/8						1	
6		12954004		THROAT PLATE XH 7/32						1	
7		12953907		THROAT PLATE XH (1/4")						1	
8		12954103		THROAT PLATE XH 9/32						1	
9		12954202		THROAT PLATE XH 5/16						1	
10		12954301		THROAT PLATE XH 3/8						1	
11		12956355		NEEDLE CLAMP 7/32" ASM.						1	
12		12956256		NEEDLE CLAMP (1/4") ASM.						1	
13		12956454		NEEDLE CLAMP 9/32" ASM.						1	
14		12956553		NEEDLE CLAMP 5/16" ASM.						1	
15		12956652		NEEDLE CLAMP 3/8" ASM.						1	
16		12957163		PRESSER FOOT ASM., 7/32						1	
17		12957064		PRESSER 1/4" ASM.,EXPORT						1	
18		12957262		PRESSER FOOT ASM., 9/32						1	
19		12957361		PRESSER FOOT ASM., 5/16						1	
20		12957460		PRESSER (3/8") ASM. EXPORT						1	
21		12965158		FEED DOG XH ASM. 7/32						1	
22		12965059		FEED DOG XH(1/4") ASM.						1	
23		12965257		FEED DOG XH ASM. 9/32						1	
24		12965356		FEED DOG XH ASM. 5/32						1	
25		12965455		FEED DOG XH ASM. 3/8						1	
26		12968558		LOOPER L (1) ASM.						1	
27		12968657		LOOPER L (2) ASM.						1	
28		12968855		LOOPER R (1) ASM.						1	
29		12968954		LOOPER R (2) ASM.						1	
30		12969150		LOOPER C (1) ASM.						1	
31		12976601		FEED ADJUSTING PLATE, B						1	
32		12976700		FEED ADJUSTING PLATE, C						1	
33		12976809		FEED ADJUSTING PLATE, D						1	

TABLE OF EXCHANGING GAUGE PARTS (2)

MS-1261M (For Medium-weight)
MS-1261M (中厚物用)

Description 品名			Gauge set (with finger guard)		Throat plate		Needle clamp asm.		Presser foot asm. (with finger guard)	
			ゲージセット (指ガード付)		針板		針留(組)		押さえ(組) (指ガード付)	
Needle gauge size 針幅										
Code ゲージ 記号										
	inch	mm	Ref.No	Part No.	Ref.No	Part No.	Ref.No	Part No.	Ref.No	Part No.
E	7/32	5.6	1	12954665	6	12954608	11	12956355	16	12956165
F	1/4	6.4	2	12954566	7	12954509	12	12956256	17	12956066
G	9/32	7.2	3	12954764	8	12954707	13	12956454	18	12956769
H	5/16	8.0	4	12954863	9	12954806	14	12956553	19	12956868
K	3/8	9.5	5	12954962	10	12954905	15	12956652	20	12956967

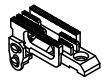



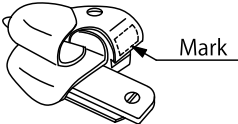
Description 品名			Feed dog asm.		Looper asm. (L)			Looper asm. (R)			Looper asm. (C)		
			送り歯(組)		ルーバ(L)(組)			ルーバ(R)(組)			ルーバ(C)(組)		
Needle gauge size 針幅													
Code ゲージ 記号													
	inch	mm	Ref.No	Part No.	Ref.No	Part No.	Mark No.	Ref.No	Part No.	Mark No.	Ref.No	Part No.	Mark No.
E	7/32	5.6	21	12970059	26	12968558	1	28	12968855	1	30	12969150	1
F	1/4	6.4	22	12969952		↑	1		↑	1		↑	1
G	9/32	7.2	23	12970158		↑	1		↑	1		↑	1
H	5/16	8.0	24	12970257	27	12968657	2	29	12968954	2		↑	1
K	3/8	9.5	25	12970356		↑	2		↑	2		↑	1

TABLE OF EXCHANGING GAUGE PARTS (2)

No.	Supply Code	Parts No.	Replacement	Parts name	Remarks	Choice	Step	Level	Cons	Qty	Rep. QTY
1		12954665		WITH FINGER GUAR- D GAUGE, 7/32.						1	
2		12954566		GAUGE SET 1/4 (WITH GUARD)						1	
3		12954764		GAUGE SET 9/32 (FINGER GUARD)						1	
4		12954863		GAUGE SET 5/16 (FINGER GUARD)						1	
5		12954962		WITH FINGER GUARD GAUGE, 3/8						1	
6		12954608		THROAT PLATE MH 7/32						1	
7		12954509		THROAT PLATE MH (1/4")						1	
8		12954707		THROAT PLATE MH 9/32						1	
9		12954806		THROAT PLATE MH 5/16						1	
10		12954905		THROAT PLATE MH 3/8						1	
11		12956355		NEEDLE CLAMP 7/32" ASM.						1	
12		12956256		NEEDLE CLAMP (1/4") ASM.						1	
13		12956454		NEEDLE CLAMP 9/32" ASM.						1	
14		12956553		NEEDLE CLAMP 5/16" ASM.						1	
15		12956652		NEEDLE CLAMP 3/8" ASM.						1	
16		12956165		PRESSER FOOT ASM.,7/32 MH.						1	
17		12956066		PRESSER MH(1/4") ASM.,EXPORT						1	
18		12956769		PRESSER MH(9/32") ASM.,EXPORT						1	
19		12956868		PRESSER FOOT ASM. 5/16", MH						1	
20		12956967		PRESSER FOOT ASM.,3/8 MH.						1	
21		12970059		FEED DOG MH ASM. 7/32						1	
22		12969952		FEED DOG MH(1/4") ASM.						1	
23		12970158		FEED DOG MH ASM. 9/32						1	
24		12970257		FEED DOG MH ASM. 5/16						1	
25		12970356		FEED DOG MH ASM. 3/8						1	
26		12968558		LOOPER L (1) ASM.						1	
27		12968657		LOOPER L (2) ASM.						1	
28		12968855		LOOPER R (1) ASM.						1	
29		12968954		LOOPER R (2) ASM.						1	
30		12969150		LOOPER C (1) ASM.						1	

TABLE OF EXCHANGING GAUGE PARTS (3)

Description 品名			Folder asm. フォルダ (糸目)					
Needle gauge size 針幅			M297		M298		M299	
Mark			MH		H		XH	
Code ゲージ 記号								
	inch	mm	Ref.No	Part No.	Ref.No	Part No.	Ref.No	Part No.
E	7/32	5.6	1	MAM2970DDBA	6	MAM2980AABA	11	MAM2990AABA
F	1/4	6.4	2	MAM2970EEBA	7	MAM2980BBBA	12	MAM2990BBBA
G	9/32	7.2	3	MAM2970FFBA	8	MAM2980CCBA	13	MAM2990CCBA
H	5/16	8.0	4	MAM2970GGBA	9	MAM2980DDBA	14	MAM2990DDBA
K	3/8	9.5	5	MAM2970HHBA	10	MAM2980EEBA	15	MAM2990EEBA

The folder is not included in gauge set.
フォルダは、ゲージセットには含まれません。

Folder mark
フォルダ記号

M297 — Medium-weight (MS-1261M
Standard equipment)
M298 — Heavy-weight (Option)
M299 — Extra heavy-weight (MS-1261
Standard equipment)

中厚物用 (MS-1261M 標準装備)
厚物用 (オプション)
極厚物用 (MS-1261 標準装備)

TABLE OF EXCHANGING GAUGE PARTS (3)

No.	Supply Code	Parts No.	Replacement	Parts name	Remarks	Choice	Step	Level	Cons	Qty	Rep. QTY
1		MAM2970DDBA		FOLDER 7/32 MH						1	
2		MAM2970EEBA		FOLDER 1/4MH						1	
3		MAM2970FFBA		FOLDER 9/32 MH						1	
4		MAM2970GGBA		HOLDER 5/16 MH						1	
5		MAM2970HHBA		FOLDER 3/8 MH						1	
6		MAM2980AABA		FOLDER 7/32 H ASM.						1	
7		MAM2980BBBA		FOLDER 1/4 H ASM.						1	
8		MAM2980CCBA		FOLDER 9/32 H ASM.						1	
9		MAM2980DDBA		HOLDER 5/16 H ASM.						1	
10		MAM2980EEBA		FOLDER 3/8 H ASM.						1	
11		MAM2990AABA		FOLDER 7/32 XHASM.						1	
12		MAM2990BBBA		HOLDER 1/4XH ASM.						1	
13		MAM2990CCBA		FOLDER 9/32 XHASM.						1	
14		MAM2990DDBA		FOLDER 5/16 XHASM.						1	
15		MAM2990EEBA		FOLDER 3/8 XH ASM.						1	

LIST FOR INFORMATION OF CHANGE (1)

As to the place changed, refer to the corresponding Rev.No.
 When previous parts(Obsoleted part)and new parts(Added parts)are
 not interchangeable with each other:
 In this case,even obsoleted parts(D.)can be ordered with the
 obsoleted part number,so select the parts with changed dates and
 place your orders.

変更箇所は、該当Rev.No.版をご参照ください。
 部品の互換性がない変更の場合は、削除された品番でも、ご注文できます。

29161502
 No.1031-06 Rev.No.

*A:Added parts追加部品/D:Obsoleted parts削除部品/E:Erratum訂正

* Rev. No.	Page 頁	Ref. No.	Parts No. 品番	* Rev. No.	Page 頁	Ref. No.	Parts No. 品番
D 05	2	2	110-00403	A 06	2	2	229-02506
D 05	2	23	SS-4091010-SP	A 06	2	23	SS-4090815-SP
E 05	2	24	B1128-804-000	A 06	2	24	B1124-804-000
E 05	2	59	B1634-191-000	A 06	2	59	B1806-019-000
D 05	2	62	110-18603	A 06	2	62	229-20607
D 05	2	72	B3526-226-000				
				A 06	2	72	WP-0370316-SD
D 05	2	81	B3513-261-000				
				A 06	2	81	400-60166
D 05	2	82	CM-3002001-01				
				A 06	2	82	TA-1600406-R0
D 05	2	83	CM-3002001-A1	A 06	2	83	CM-3012000-02
D 05	2	85	CM-3002000-C1				
				A 06	2	85	229-01805
D 05	2	87	CM-3002000-B1				
D 05	4	1	115-50308	A 06	4	1	400-85675
D 05	4	3	129-38205	A 06	4	3	400-85671
D 05	4	5	B3107-804-000	A 06	4	5	119-57305
D 05	4	8	119-57008	A 06	4	8	119-56703
D 05	4	12	B2301-261-00A	A 06	4	12	400-85676
D 05	4	28	SS-4091010-SP	A 06	4	28	SS-4090815-SP
D 05	4	67	115-03604	A 06	4	67	400-38331
D 05	6	20	129-24809				
D 05	6	21	SS-6111610-SP				
D 05	6	36	B3501-019-0A0	A 06	6	36	400-26875
D 05	6	40	B3508-019-000	A 06	6	40	RO-0691801-00
D 05	6	42	B3501-019-000	A 06	6	42	400-26874
D 05	6	54	B1401-026-000	A 06	6	54	B1401-019-000
D 05	6	61	129-25954				
D 05	6	62	SS-8080310-TP				
D 05	6	64	129-77807				
D 05	8	5	SS-9151440-CP	A 06	8	5	SS-8150822-TP
D 05	8	11	B1411-552-0A0	A 06	8	11	229-06457
D 05	8	12	B1411-552-000	A 06	8	12	229-06408
D 05	8	22	B2326-019-000	A 06	8	22	B2330-019-000
D 05	8	29	MAM-2970CCBA	A 06	8	29	MAM-2970EEBA

LIST FOR INFORMATION OF CHANGE (2)

*	Rev. No.	Page 頁	Ref. No.	Parts No. 品番	*	Rev. No.	Page 頁	Ref. No.	Parts No. 品番
D	05	8	33	129-77062					
D	05	8	48	B1214-019-000					
D	05	10	5	129-79258					
D	05	10	6	129-79357					
D	05	10	7	129-78656					
					A	06	10	5	B2115-191-000
					A	06	10	6	B2116-191-000
E	05	10	17	B2116-019-00A	A	06	10	17	B2116-191-00A
E	05	10	18	B2116-019-00B	A	06	10	18	B2116-191-00B
E	05	10	20	B2102-026-0A0	A	06	10	20	B2102-026-0A0-A
D	05	10	25	B2122-019-000	A	06	10	25	400-40608
D	05	10	48	SS-7080510-TP					
D	05	12	5	SS-6090910-TP	A	06	12	5	SS-7090910-TP
					A	06	12	9	SS-4080620-TP
					A	06	12	10	SS-7090910-TP
					A	06	12	14	SS-4080620-TP
					A	06	12	15	SS-7090910-TP
D	05	12	19	129-64508	A	06	12	19	400-80579
D	05	12	21	129-64706	A	06	12	21	400-80580
D	05	12	24	SS-6090910-TP	A	06	12	24	SS-7091110-TP
D	05	12	25	129-79258					
D	05	12	30	129-79357					
D	05	12	33	129-78656					
					A	06	12	25	WP-0450000-SD
					A	06	12	40	WP-0450000-SD
D	05	12	46	129-64508	A	06	12	34	400-80579
D	05	12	48	129-64706	A	06	12	36	400-80580
D	05	12	51	SS-6090910-TP	A	06	12	39	SS-7091110-TP
D	05	14	15	B3426-122-000	A	06	14	15	129-44906
D	05	14	17	B8514-180-000	A	06	14	17	129-44906
D	05	14	18	SS-9661120-CP					
D	05	14	19	110-24510	A	06	14	18	229-32453
D	05	14	20	SM-9062053-SR					
E	05	14	22	SK-3482500-SC	A	06	14	20	SK-3452500-SC
D	05	14	23	B3419-552-0A0-A	A	06	14	21	229-34251
D	05	16	1	B3301-261-0A0	A	06	16	1	401-11348

HOW TO MAKE USE OF THIS PARTS LIST

1.Explanation of codes

1)"*"mark.....means this part is changed from the previous parts book.

As to the details of the change, refer to the "List for information of change".

2)"#01".....refer to "Note" explanation at bottom of page.

2.Codes on the "Qty" column

- Each numeral indicates the number of parts required.
- "0.1" and "2.5" indicate the length (in meters) of the respective parts.

3.Parentheses mean that the corresponding part is a subpart that constructs an assembly part.

4.Dotted lines on the Figures indicate assembly parts.

1."注記"欄の記号説明

1) "*"印.....前回のパーツブックに比較して今回変更された部品を意味します。

変更内容は、"変更情報リスト"を参照してください。

2) "#01".....ページ下の"注記"の説明を参照してください。

2.数量欄の数字は、個数を表し、0.1、2.5等の数値は、長さ（単位メートル）を表します。

3.数量欄の（ ）は、組部品を構成している子部品であることを意味します。

4.イラストページの-----枠は、組構成であることを意味します。

NUMERICAL INDEX OF PARTS

PART NO	PAGE	REF NO.	PART NO	PAGE	REF NO.	PART NO	PAGE	REF NO.
10704203	2	28	12943700	4	73	12956355	32	11
11956703	6	8	12944906	26	17	12956454	30	13
11957305	6	5	12950507	2	32	12956454	32	13
12921003	2	3	12950606	2	12	12956553	30	14
12921201	2	19	12950705	2	1	12956553	32	14
12921409	2	20	12950804	2	4	12956652	30	15
12921607	2	25	12951000	2	16	12956652	32	15
12921904	8	62	12951505	8	61	12956769	32	18
12922001	8	63	12951950	4	75	12956868	32	19
12922704	2	26	12952008	4	76	12956967	32	20
12922803	8	51	12952255	2	30	12957064	14	31
12924502	10	19	12952552	2	29	12957064	30	17
12924718	10	24	12953907	12	60	12957163	30	16
12924718	16	44	12953907	30	7	12957262	30	18
12924767	10	23	12953964	30	2	12957361	30	19
12924767	16	42	12954004	30	6	12957460	30	20
12924809	14	30	12954061	30	1	12962601	20	67
12924916	10	27	12954103	30	8	12962809	20	40
12925004	10	29	12954160	30	3	12963005	20	59
12931507	20	61	12954202	30	9	12963062	20	53
12931606	20	60	12954269	30	4	12963807	22	27
12931705	20	64	12954301	30	10	12963906	22	28
12931903	20	52	12954368	30	5	12964300	22	29
12932000	4	54	12954509	12	61	12964409	22	32
12932109	4	55	12954509	32	7	12964409	24	32
12932158	4	53	12954566	32	2	12964607	22	35
12933719	14	33	12954608	32	6	12964607	24	35
12935516	6	34	12954665	32	1	12964805	22	33
12935607	6	41	12954707	32	8	12964805	24	33
12935805	8	47	12954764	32	3	12965000	22	26
12935904	8	68	12954806	32	9	12965059	18	4
12936217	6	44	12954863	32	4	12965059	22	16
12936506	8	49	12954905	32	10	12965059	30	22
12936803	6	29	12954962	32	5	12965158	30	21
12936902	6	33	12955407	10	31-65	12965257	30	23
12938304	6	6	12955506	10	33-66	12965356	30	24
12939500	8	54	12955803	2	33	12965455	30	25
12939609	8	55	12956066	14	6	12965513	16	46
12939708	8	56	12956066	32	17	12965703	2	40
12939807	8	57	12956165	32	16	12966008	6	40
12939906	8	58	12956256	10	55	12966107	6	39
12940102	4	64	12956256	12	55	12966206	6	38
12941100	22	13	12956256	30	12	12966305	6	35
12942009	22	3	12956256	32	12	12966503	16	40
12943106	10	15	12956355	30	11	12966552	16	39

NUMERICAL INDEX OF PARTS

PART NO	PAGE	REF NO.	PART NO	PAGE	REF NO.	PART NO	PAGE	REF NO.
12966602	6	9	12976700	30	32	40106578	28	19
12966701	6	13	12976809	30	33	40111348	28	1
12966800	2	15	12978003	12	31-65	A116100100B	14	23
12966909	2	43	12978102	12	33-66	B110419100A	4	67
12967006	2	44	22901805	4	85	B110419100B	4	68
12967105	2	45	22902506	2	2	B110419100C	4	69
12967204	6	24	22906408	14	12	B11041910A0	4	66
12967303	6	21	22906457	14	11	B1124804000	2	24
12967402	6	26	22920607	4	62	B1127026000	14	7
12967501	2	17	22932453	26	18	B1130051000	2	38
12967600	6	15	22934202	26	22	B1134850000A	2	35
12967758	8	53	22934251	26	21	B1135850000	2	36
12968004	18	10	22934301	26	23	B1140019000	4	79
12968103	14	1	22934400	26	24	B1156019000	4	61
12968202	14	3	22934509	26	25	B1157019000	2	31
12968509	22	2	22934608	26	26	B1161026000	2	10
12968558	18	1	40026874	10	42	B1161227000	10	34
12968558	22	1	40026875	10	36	B11620260A0	2	8
12968558	30	26	40038331	8	67	B1202512000	10	9
12968558	32	26	40040608	18	25	B1203512000	10	26
12968657	30	27	40060166	4	81	B1203512000	16	43
12968657	32	27	40080579	22	34	B1207026000	10	6
12968806	22	7	40080579	24	34	B12070260A0	10	1
12968855	18	2	40080580	22	36	B1208019000	10	5
12968855	22	6	40080580	24	36	B12090190A0	10	2
12968855	30	28	40085671	6	3	B1219019000	2	21
12968855	32	28	40085675	6	1	B1222019000	10	18
12968954	30	29	40085676	6	12	B1236125BA0	10	3
12968954	32	29	40085784	28	8	B1401019000	12	54
12969101	22	12	40085785	28	11	B1402026B0G	12	45
12969150	18	3	40085788	28	15	B1404026B0G	12	53
12969150	22	11	40085789	28	14	B1408038000	10	4
12969150	30	30	40085790	28	16	B14090190B0	12	50
12969150	32	30	40085791	28	17	B1411019000	10	13
12969309	22	8	40085792	28	13	B1412038000	10	12
12969903	24	31	40085793	28	12	B1418019000	12	51
12969952	18	19	40085794	28	4	B1501019000	14	17
12969952	22	30	40085795	28	3	B1502019000	14	9
12969952	32	22	40085796	28	10	B1503026000	14	16
12970059	32	21	40096325	28	9	B15040190A0	14	14
12970158	32	23	40096326	28	7	B1506019000	14	19
12970257	32	24	40096327	28	5	B1534816000	8	64
12970356	32	25	40106574	28	6	B1601026000	20	38
12970406	4	80	40106575	28	2	B1602019000	20	66
12976601	30	31	40106577	28	18	B1606191000	20	65

NUMERICAL INDEX OF PARTS

PART NO	PAGE	REF NO.	PART NO	PAGE	REF NO.	PART NO	PAGE	REF NO.
B1610019000	20	39	B2502019000	18	8	NS6120310SP	14	26
B1621261000A	20	63	B2503019000	18	28	NS6150310SP	18	13
B1622541000	4	56	B25050190A0	18	14	PS0250081K0	20	55
B1623191000	20	58	B3112704000	6	7	PS0500202KP	6	32
B1624191000	20	54	B3126012000	6	4	RE0400000K0	4	58
B1625191000	20	57	B3421012000	26	19	RE1200000K0	16	47
B1626191000	20	56	B3502019000	10	38	RO040100210	4	57
B1635191000	20	34	B3503019000	10	39	RO061180100	20	41
B1802019000	14	35	B3504019000	10	37	RO068190100	4	52
B1803019000	14	36	B3510019000	10	10	RO069180100	10	40
B1805019000	4	48	B3541012000	10	11	RO095200100	18	30
B1806019000	4	59	B3701019000	26	3	RO098240100	10	35
B18080190A0	14	37	B8101191000	26	13	SD0380551SL	2	37
B1901026000	12	48	B81011910A0	26	10	SD0450211SP	26	6
B20012610A0	20	35	B81021910A0	26	11	SD0790431SP	26	2
B2002026000A	18	27	B8511180000	26	14	SK3412001SE	28	22
B20060190A0	20	32	CM300200001	4	86	SK3452500SC	26	20
B2101261000A	20	47	CM301200002	4	83	SM4051001SE	28	21
B21020260A0A	18	20	CM500300001	4	71	SM4051405SE	28	20
B21032610A0	20	49	CQ252000000	10	44	SM9061203SE	26	27
B2105019000	20	45-46	CQ300000000	12	47	SS1090510SP	10	30
B210501900A	20	45-46	MAM2970DDBA	34	1	SS2060510SP	6	22
B2106026000	18	7	MAM2970EEBA	14	29	SS2110920TP	12	59
B2107019000	18	23	MAM2970EEBA	34	2	SS3060410SP	2	27
B2108026000	20	43	MAM2970FFBA	34	3	SS3090610SP	2	39
B2115191000	18	5	MAM2970GGBA	34	4	SS4080620TP	22	14
B2116191000	18	6-17-18	MAM2970HHBA	34	5	SS4090815SP	2	23
B211619100A	18	6-17-18	MAM2980AABA	34	6	SS4090815SP	6	28
B211619100B	18	6-17-18	MAM2980BBBA	34	7	SS4091010SP	2	9
B21230260A0	18	11	MAM2980CCBA	34	8	SS4110815SP	2	13
B2208019000	6	30	MAM2980DDBA	34	9	SS4120915SP	2	6
B2310019000	6	2	MAM2980EEBA	34	10	SS4622340SP	6	18
B2315019000	26	5	MAM2990AABA	34	11	SS5060410SP	6	23
B2317019000	26	7	MAM2990BBBA	14	28	SS5090420SP	8	45
B231919100A	26	4	MAM2990BBBA	34	12	SS5090610SP	4	50
B2321019000	26	9	MAM2990CCBA	34	13	SS5090710SP	2	11
B2322019000	26	1	MAM2990DDBA	34	14	SS5091020SP	2	42
B2324261000	14	25	MAM2990EEBA	34	15	SS5110810SP	4	77
B2326019000	14	24	MC380001200	12	63-64	SS5660440SP	10	41
B2327019000	14	20	MC380001300	12	58-62	SS5820540SP	4	78
B2328019000	14	27	MUY128N1900	12	63-64	SS6060210SP	6	31
B2329019000	14	21	MUY128N2100	12	58-62	SS6090540SP	4	46
B2330019000	14	22	NM6050001SE	28	23	SS6090670TP	14	13
B2402019000	6	16	NS6110310SP	6	11	SS6092120SP	10	43
B2421019000	6	19	NS6110350SP	8	59	SS6110480SP	4	70

NUMERICAL INDEX OF PARTS

PART NO	PAGE	REF NO.	PART NO	PAGE	REF NO.
SS6110610TP	2	5	SS7740740SP	4	51
SS6110610TP	8	52	SS7740740SP	10	17
SS6110610TP	14	4	SS8080310TP	10	56
SS6111610SP	14	32	SS8080310TP	12	56
SS6122030SP	2	18	SS8080610SP	10	57
SS6122030SP	18	16	SS8080610SP	12	57
SS6151220SP	10	8	SS8110310SP	16	41
SS7060510SP	6	17	SS8110410TP	20	62
SS7080510TP	18	22	SS8110422TP	20	42
SS7090510SP	6	20	SS8110510SP	20	44
SS7090510SP	22	37	SS8111160SP	6	10
SS7090510SP	24	37	SS8150310SP	12	46
SS7090520SP	6	27	SS8150310SP	14	10
SS7090530SP	6	70	SS8150310SP	18	29
SS7090530SP	8	70	SS8150410SP	20	31
SS7090530SP	10	16	SS8150710SP	10	25
SS7090710SP	2	47	SS8150710SP	16	45
SS7090710SP	4	47	SS8150710SP	18	24
SS7090710SP	6	25	SS8150822TP	14	5
SS7090710SP	14	8	SS8151150SP	18	9
SS7090850SP	6	43	SS8152030SP	10	32
SS7090910SP	2	34	SS8660410SP	10	7
SS7090910SP	12	52	SS8660522TP	10	28
SS7090910TP	12	49	SS8660612TP	20	50
SS7090910TP	22	15	SS9151210TP	26	12
SS7090920SP	18	21	SS9182010TE	26	16
SS7091110SP	14	18	SS9284043CP	4	74
SS7091110TP	22	39	TA1250406R0	2	7
SS7091110TP	24	39	TA1600406R0	4	82
SS7091410SP	14	2	WP0370316SD	4	72
SS7110710SP	4	65	WP0371016SD	6	69
SS7110710SP	8	60	WP0371016SD	8	69
SS7110710SP	26	8	WP0450000SD	22	40
SS7110830SP	14	34	WP0450000SD	24	40
SS7110830SP	18	26	WP0450801SD	2	41
SS7110840SP	8	66	WP0531001SC	28	24
SS7111110TP	14	15	WP1612616SE	28	25
SS7111110TP	18	51	WS0510002KN	28	26
SS7111110TP	20	51			
SS7111120SP	4	60			
SS7111410SP	8	48			
SS7120910SP	10	14			
SS7151210SP	2	87			
SS7151210SP	4	87			
SS7621040SP	20	37			