

MODEL : MO-3700 SUBCLASSES 3715/3716/3743

List No : 0997-03

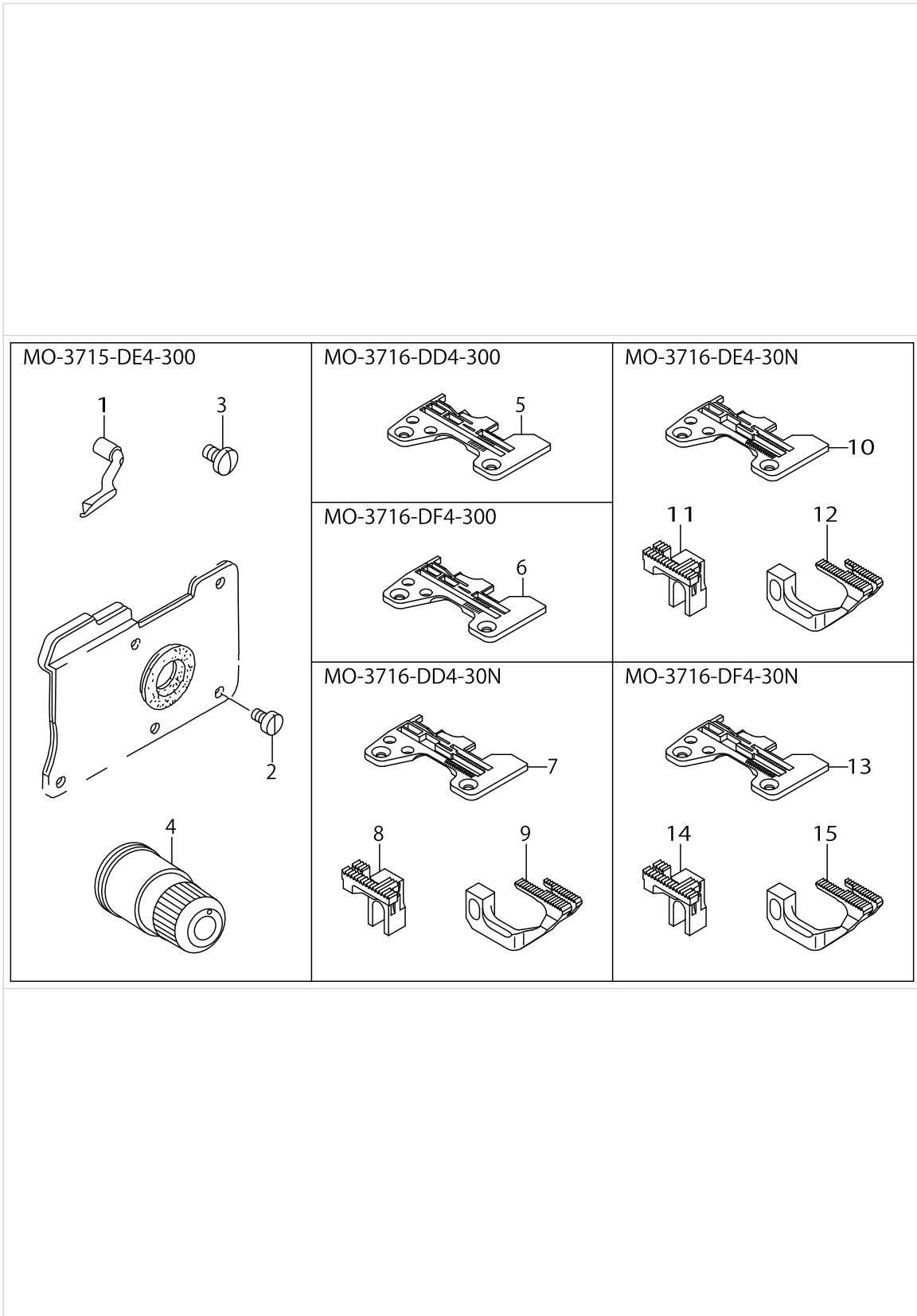
PARTS LIST

Published:05/12/2017

CONTENTS

MO-3700 SUBCLASSES (1).....	1
MO-3700 SUBCLASSES (2).....	3
MO-3700 SUBCLASSES (3).....	5
MO-3700 SUBCLASSES (4).....	7
MO-3700 SUBCLASSES (5).....	9
MO-3700 SUBCLASSES (6).....	11
MO-3700 SUBCLASSES (7).....	13
MO-3700 SUBCLASSES (8).....	15
MO-3700 SUBCLASSES (9).....	17
MO-3700 SUBCLASSES (10).....	19
MO-3700 SUBCLASSES (11).....	21
MO-3700 SUBCLASSES (12).....	25
MO-3700 SUBCLASSES (13).....	29
LIST FOR INFORMATION OF CHANGE.....	33
HOW TO MAKE USE OF THIS PARTS LIST.....	34

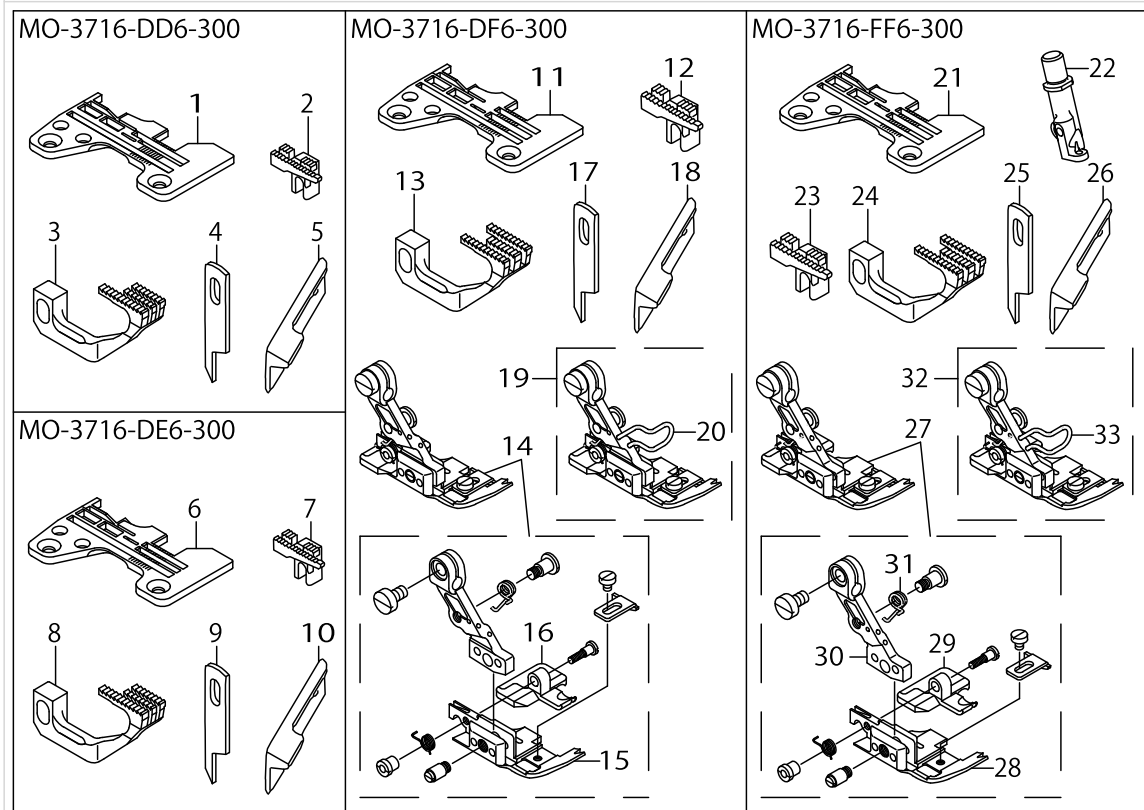
MO-3700 SUBCLASSES (1)



MO-3700 SUBCLASSES (1)

No.	Supply Code	Parts No.	Replacement	Parts name	Remarks	Choice	Step	Level	Cons	Qty	Rep. QTY
1		11888609		UPPER SPREADER						1	
2	R	SS6090630SP	SS6090630TP	SCREW 9/64-40 L=6						1	1.00
3		SS7110710SL		SCREW 11/64-40 L=7.0						1	
4	D	12254850		THREAD TENSION SPRING COMPL.						1	
5	R	R4508J0DD00	R4508J6DD00	THROAT PLATE						1	1.00
6	R	R4508J0FD00	R4508J6FD00	THROAT PLATE						1	1.00
7	D	R4508J0DD0E		THROAT PLATE						1	
8		12171302		MAIN FEED DOG						1	
9		12174306		SUB-FEED DOG						1	
10	D	R4508J0ED0D		THROAT PLATE						1	
11		12171302		MAIN FEED DOG						1	
12		12174306		SUB-FEED DOG						1	
13		R4508J0FD0B		THROAT PLATE						1	
14		12171302		MAIN FEED DOG						1	
15		12174306		SUB-FEED DOG						1	

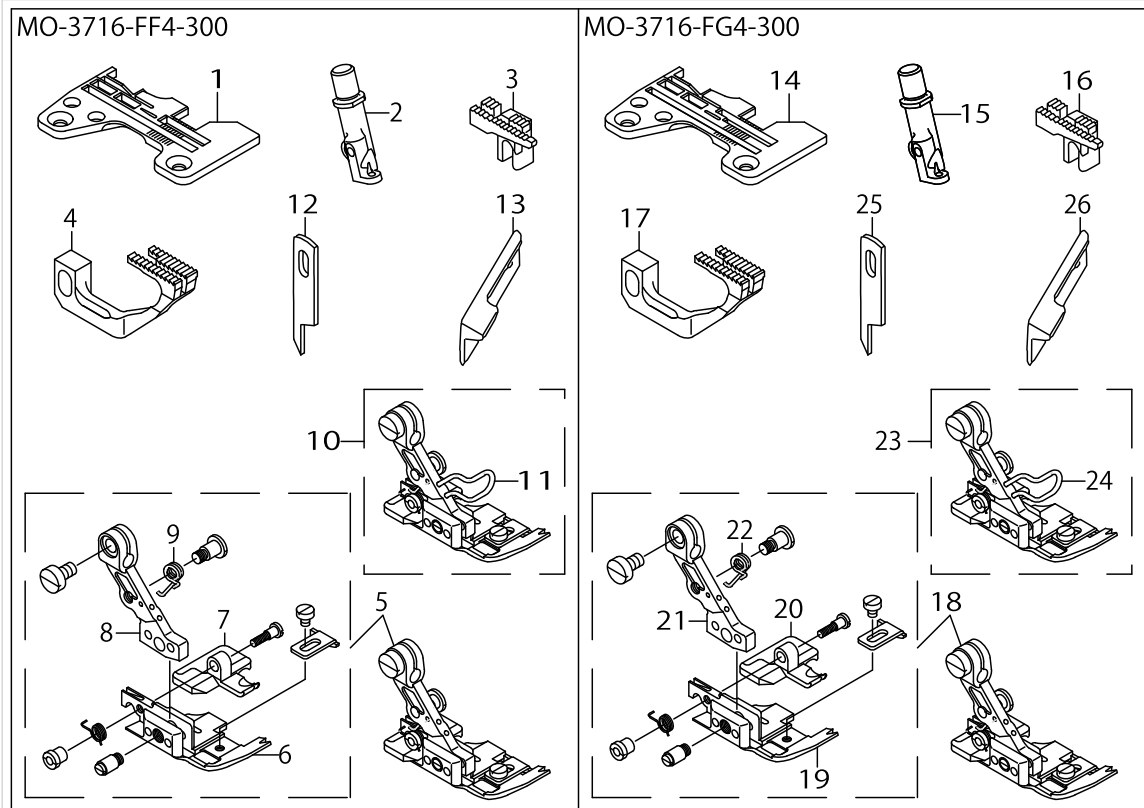
MO-3700 SUBCLASSES (2)



MO-3700 SUBCLASSES (2)

No.	Supply Code	Parts No.	Replacement	Parts name	Remarks	Choice	Step	Level	Cons	Qty	Rep. QTY
1	R	R4608J0DD00	R4608J6DD00	THROAT PLATE						1	1.00
2		11882909		MAIN FEED DOG						1	
3		12173209		DIFFERENTIAL FEED DOG						1	
4		11845609		KNIFE						1	
5		11845807		UPPER KNIFE	FOR EXPORT					1	
6	R	R4608J0ED00	R4608J6ED00	THROAT PLATE						1	1.00
7		11882909		MAIN FEED DOG						1	
8		12173209		DIFFERENTIAL FEED DOG						1	
9		11845609		KNIFE						1	
10		11845807		UPPER KNIFE	FOR EXPORT					1	
11	R	R4608J0FD00	R4608J6FD00	THROAT PLATE						1	1.00
12		11987708		MAIN FEED DOG						1	
13		12173308		DIFFERENTIAL FEED DOG						1	
14	R	12154159	12154167	PRESSER FOOT ASM.						1	1.00
15	D	12162608		PRESSER FOOT				*		1	
16		12165205		REARPRESSERFOOT				*		1	
17		11845609		KNIFE						1	
18		11845807		UPPER KNIFE	FOR EXPORT					1	
19		12154167		PRESSER FOOT ASM.	FOR EXPORT					1	
20		12168209		FINGER GUARD				*		1	
21	R	R4612J0FD00	R4612J6FD00	THROAT PLATE						1	1.00
22	R	12150306	12257507	NEEDLE CLAMP, CHAIN LOOPER						1	1.00
23		11884004		MAIN FEED DOG						1	
24		12173308		DIFFERENTIAL FEED DOG						1	
25		11845609		KNIFE						1	
26		11845807		UPPER KNIFE	FOR EXPORT					1	
27	R	12154258	12154266	PRESSER FOOT ASM.						1	1.00
28	R	12162707	12154266	PRESSER FOOT				*		1	1.00
29	R	12165304	12154266	REARPRESSERFOOT				*		1	1.00
30		12157004		PRESSER FOOT HINGE				*		1	
31		12168001		PRESSER FOOT ARM SPRING, (B)				*		1	
32		12154266		PRESSER FOOT ASM.	FOR EXPORT					1	
33		12168209		FINGER GUARD				*		1	

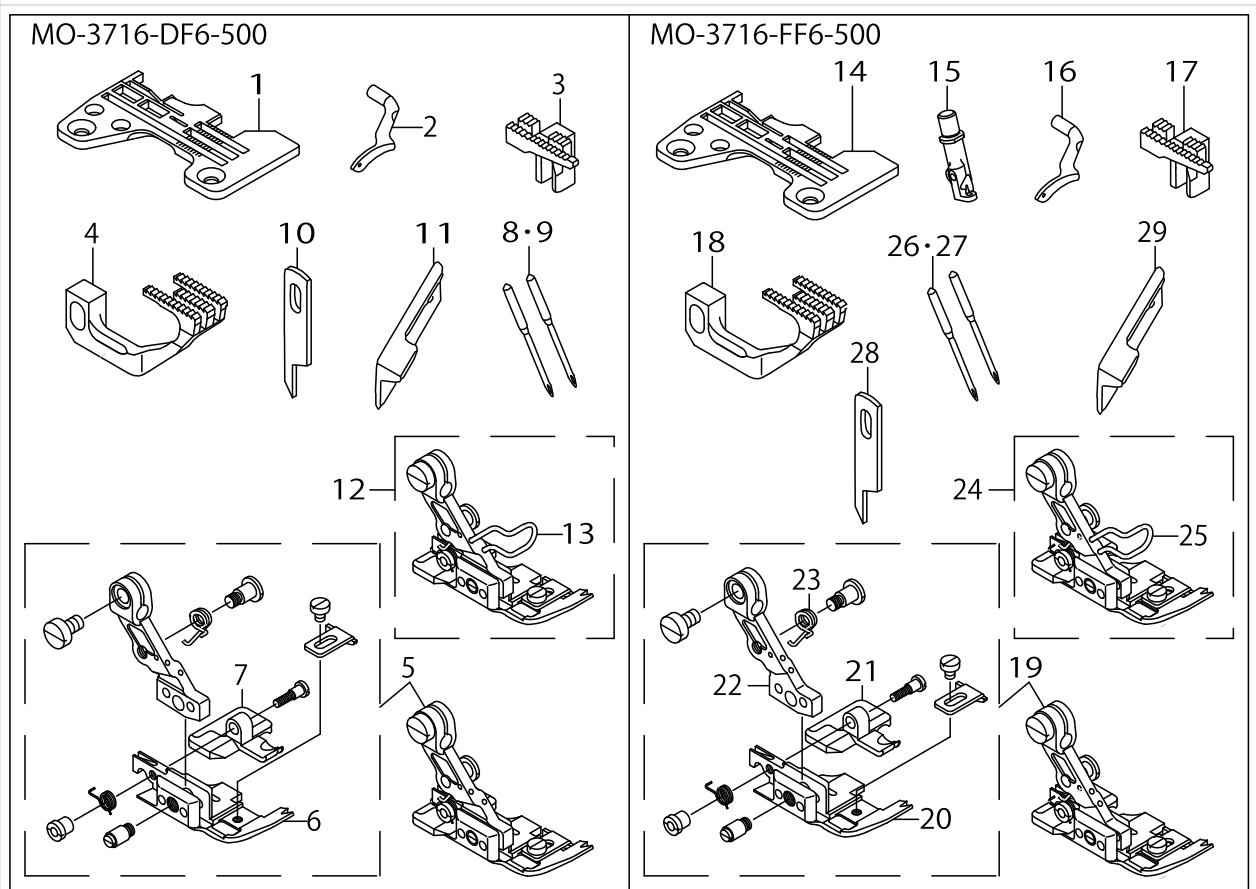
MO-3700 SUBCLASSES (3)



MO-3700 SUBCLASSES (3)

No.	Supply Code	Parts No.	Replacement	Parts name	Remarks	Choice	Step	Level	Cons	Qty	Rep. QTY
1	R	R4508J0FD00	R4508J6FD00	THROAT PLATE						1	1.00
2	R	12150306	12257507	NEEDLE CLAMP, CHAIN LOOPER						1	1.00
3		11884004		MAIN FEED DOG						1	
4		12173100		DIFFERENTIAL FEED DOG						1	
5	R	12154258	12154266	PRESSER FOOT ASM.						1	1.00
6	R	12162707	12154266	PRESSER FOOT				*		1	1.00
7	R	12165304	12154266	REARPRESSERFOOT				*		1	1.00
8		12157004		PRESSER FOOT HINGE				*		1	
9		12168001		PRESSER FOOT ARM SPRING, (B)				*		1	
10		12154266		PRESSER FOOT ASM.	FOR EXPORT					1	
11		12168209		FINGER GUARD				*		1	
12		11845609		KNIFE						1	
13		11845807		UPPER KNIFE	FOR EXPORT					1	
14		R4512J0GD00		THROAT PLATE						1	
15	R	12150306	12257507	NEEDLE CLAMP, CHAIN LOOPER						1	1.00
16		11884004		MAIN FEED DOG						1	
17		12173100		DIFFERENTIAL FEED DOG						1	
18	R	12154258	12154266	PRESSER FOOT ASM.						1	1.00
19	R	12162707	12154266	PRESSER FOOT				*		1	1.00
20	R	12165304	12154266	REARPRESSERFOOT				*		1	1.00
21		12157004		PRESSER FOOT HINGE				*		1	
22		12168001		PRESSER FOOT ARM SPRING, (B)				*		1	
23		12154266		PRESSER FOOT ASM.	FOR EXPORT					1	
24		12168209		FINGER GUARD				*		1	
25		11845609		KNIFE						1	
26		11845807		UPPER KNIFE	FOR EXPORT					1	

MO-3700 SUBCLASSES (4)

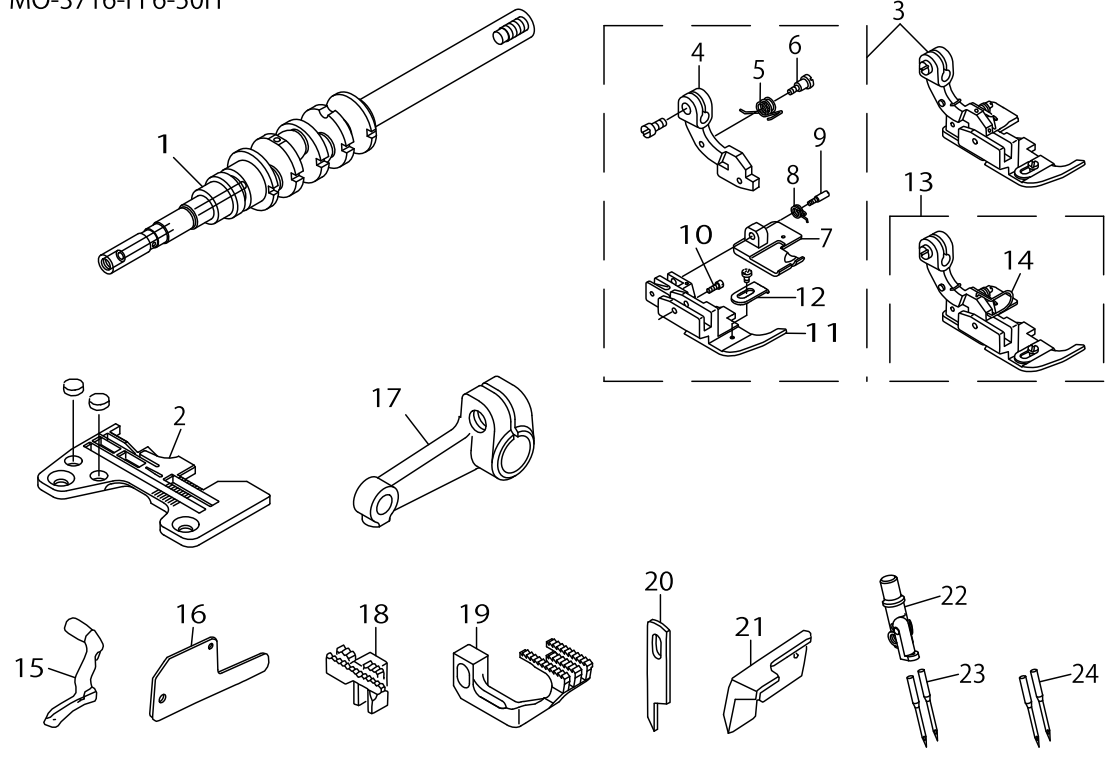


MO-3700 SUBCLASSES (4)

No.	Supply Code	Parts No.	Replacement	Parts name	Remarks	Choice	Step	Level	Cons	Qty	Rep. QTY
1	R	R4608J0FG00	R4608J6FG00	THROAT PLATE						1	1.00
2		11999208		UPPER LOOPER						1	
3		11884400		MAIN FEED DOG						1	
4		12173506		DIFFERENTIAL FEED DOG						1	
5	R	12154159	12154167	PRESSER FOOT ASM.						1	1.00
6	D	12162608		PRESSER FOOT				*		1	
7		12165205		REARPRESSERFOOT				*		1	
8		MDC270B1600		NEEDLE DCX27 #16						2	
9		MC033601000		NEEDLE B-27 NM100	FOR JE					2	
10		11845609		KNIFE						1	
11		11845807		UPPER KNIFE	FOR EXPORT					1	
12		12154167		PRESSER FOOT ASM.	FOR EXPORT					1	
13		12168209		FINGER GUARD				*		1	
14	R	R4612J0FG00	R4612J6FG00	THROAT PLATE						1	1.00
15	R	12150306	12257507	NEEDLE CLAMP, CHAIN LOOPER						1	1.00
16		11999208		UPPER LOOPER						1	
17		11883006		MAIN FEED DOG						1	
18		12173506		DIFFERENTIAL FEED DOG						1	
19	R	12154258	12154266	PRESSER FOOT ASM.						1	1.00
20	R	12162707	12154266	PRESSER FOOT				*		1	1.00
21	R	12165304	12154266	REARPRESSERFOOT				*		1	1.00
22		12157004		PRESSER FOOT HINGE				*		1	
23		12168001		PRESSER FOOT ARM SPRING, (B)				*		1	
24		12154266		PRESSER FOOT ASM.	FOR EXPORT					1	
25		12168209		FINGER GUARD				*		1	
26		MDC270B1600		NEEDLE DCX27 #16						2	
27		MC033601000		NEEDLE B-27 NM100	FOR JE					2	
28		11845609		KNIFE						1	
29		11845807		UPPER KNIFE	FOR EXPORT					1	

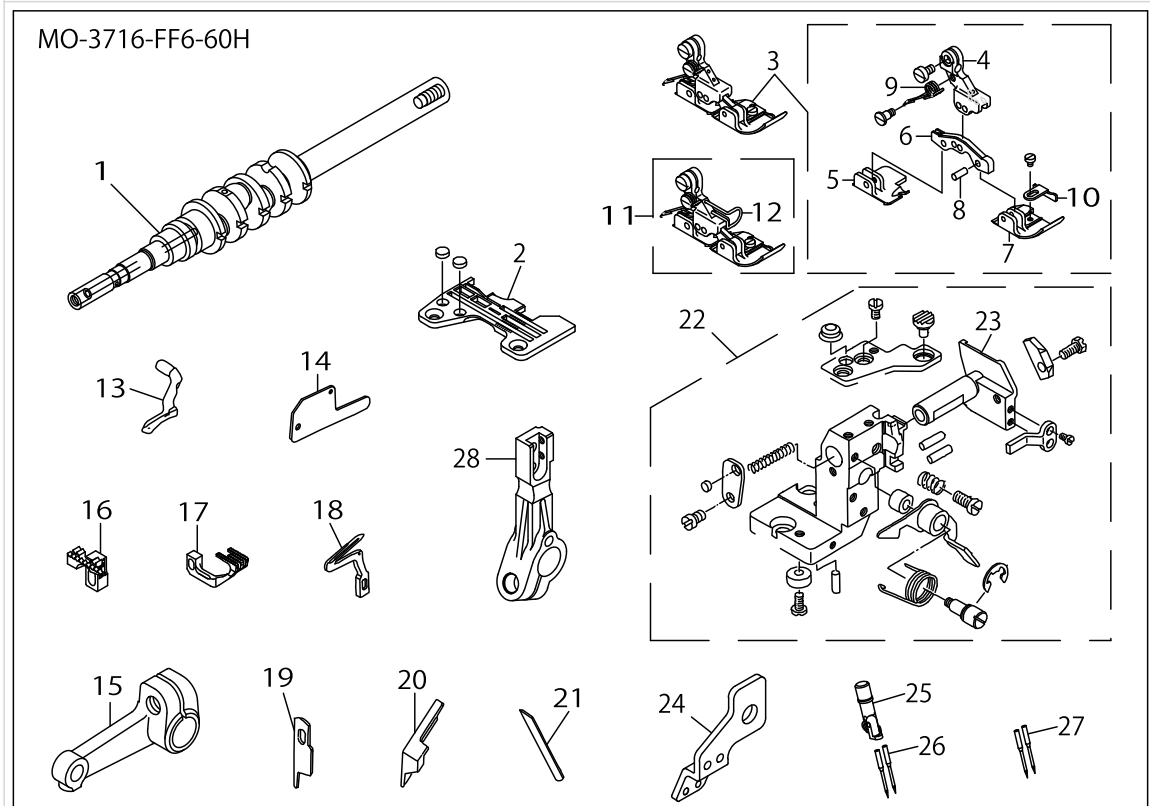
MO-3700 SUBCLASSES (5)

MO-3716-FF6-50H



MO-3700 SUBCLASSES (5)

No.	Supply Code	Parts No.	Replacement	Parts name	Remarks	Choice	Step	Level	Cons	Qty	Rep. QTY
1	D	12107207		CRANKSHAFT						1	
2	R	R4612J0FF00	R4612J6FF00	THROAT PLATE						1	1.00
3	R	11991171	11991189	PRESSER FOOT ASM.						1	1.00
4	R	11991015	11991023	PRESSER FOOT HINGE				*		1	1.00
5		B151581600B		PRESSER FOOT ARM SPRING B				*		1	
6		B1514816000		SCREW				*		1	
7		11991205		REARPRESSERFOOT				*		1	
8		11991304		SPRING				*		1	
9		11930807		HINGE PIN				*		1	
10		11993508		PRESSER FOOT HINGE PIN				*		1	
11		11991114		HINGED TYPE PRESSER FOOT				*		1	
12		B1530816D00		AUXILIARY STOPPER				*		1	
13		11991189		PRESSER FOOT ASM.	FOR EXPORT					1	
14		11820800		FINGER GUARD				*		1	
15		11991908		UPPER LOOPER						1	
16		11991601		UPPER LOOPER GUIDE COVER						1	
17	R	11831500	11831567	UPPER LOOPER ARM B						1	1.00
18		11883006		MAIN FEED DOG						1	
19		12173506		DIFFERENTIAL FEED DOG						1	
20		11845609		KNIFE						1	
21		11845807		UPPER KNIFE	FOR EXPORT					1	
22	R	12150306	12257507	NEEDLE CLAMP, CHAIN LOOPER						1	1.00
23		MDC270B1600		NEEDLE DCX27 #16						2	
24		MC033601000		NEEDLE B-27 NM100	FOR JE					2	

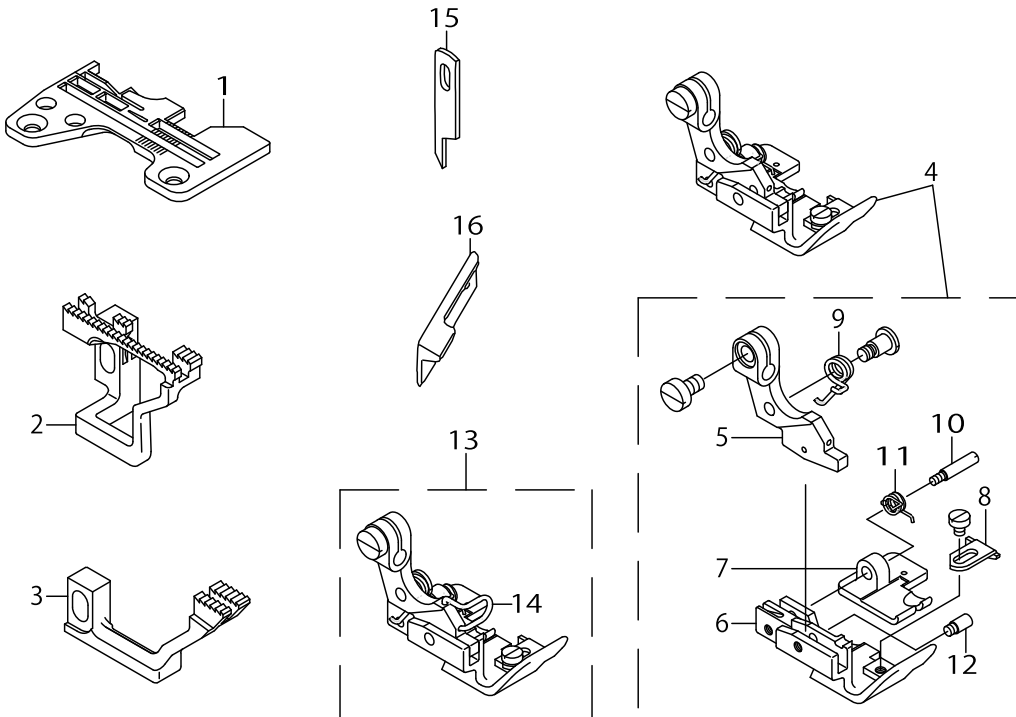


MO-3700 SUBCLASSES (6)

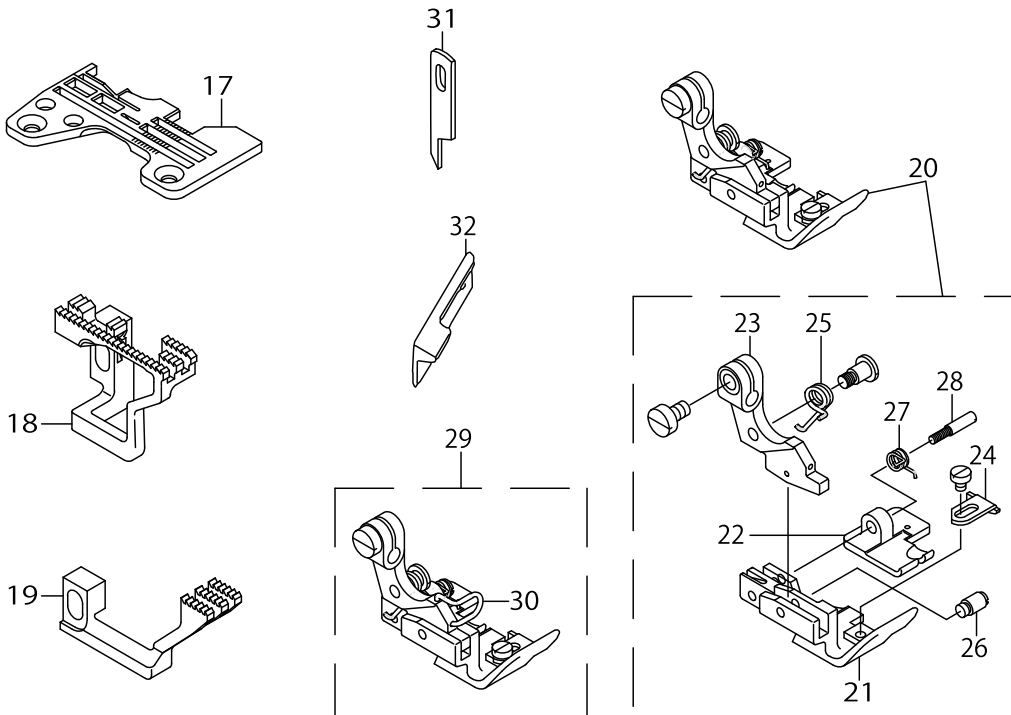
No.	Supply Code	Parts No.	Replacement	Parts name	Remarks	Choice	Step	Level	Cons	Qty	Rep. QTY
1		12107306		CRANKSHAFT						1	
2	R	R4612J0FK00	R4612J6FK00	THROAT PLATE						1	1.00
3	R	12155552	12155560	PRESSER FOOT ASM.						1	1.00
4		12157319		PRESSER FOOT HINGE ARM				*		1	
5		12165908		REARPRESSERFOOT				*		1	
6		12168407		PRESSER FOOT HINGE				*		1	
7	R	12164000	12155560	PRESSER FOOT				*		1	1.00
8		11930708		PRESSER FOOT HINGE PIN				*		3	
9		12168506		PRESSER FOOT ARM SPRING				*		1	
10		12168605		CLOTH GUIDE				*		1	
11		12155560		PRESSER FOOT ASM.	FOR EXPORT					1	
12		12168803		FINGER GUARD				*		1	
13		12176202		UPPER LOOPER						1	
14		11991601		UPPER LOOPER GUIDE COVER						1	
15	R	11831500	11831567	UPPER LOOPER ARM B						1	1.00
16		12171104		MAIN FEED DOG						1	
17		12174207		DIFFERENTIAL FEED DOG						1	
18		11999802		LOWER LOOPER						1	
19		12004909		KNIFE						1	
20		11565900		UPPER KNIFE	FOR EXPORT					1	
21		11566502		LOWER KNIFE						1	
22		12133682		LOWER KNIFE BRACKET ASM.						1	
23	D	12133500		LOWER KNIFE SLIDE STUD				*		1	
24		12112801		TAKE-UP LEVER GUIDE						1	
25		12150702		NEEDLE CLAMP, CHAIN LOOPER						1	
26		MDC270B2100		NEEDLE DCX27 #21						2	
27		MC033601300		NEEDLE B-27 NM130	FOR JE					2	
28		12273900		LOWER LOOPER SUPPORT ARM						1	

MO-3700 SUBCLASSES (7)

MO-3716-DE4-320



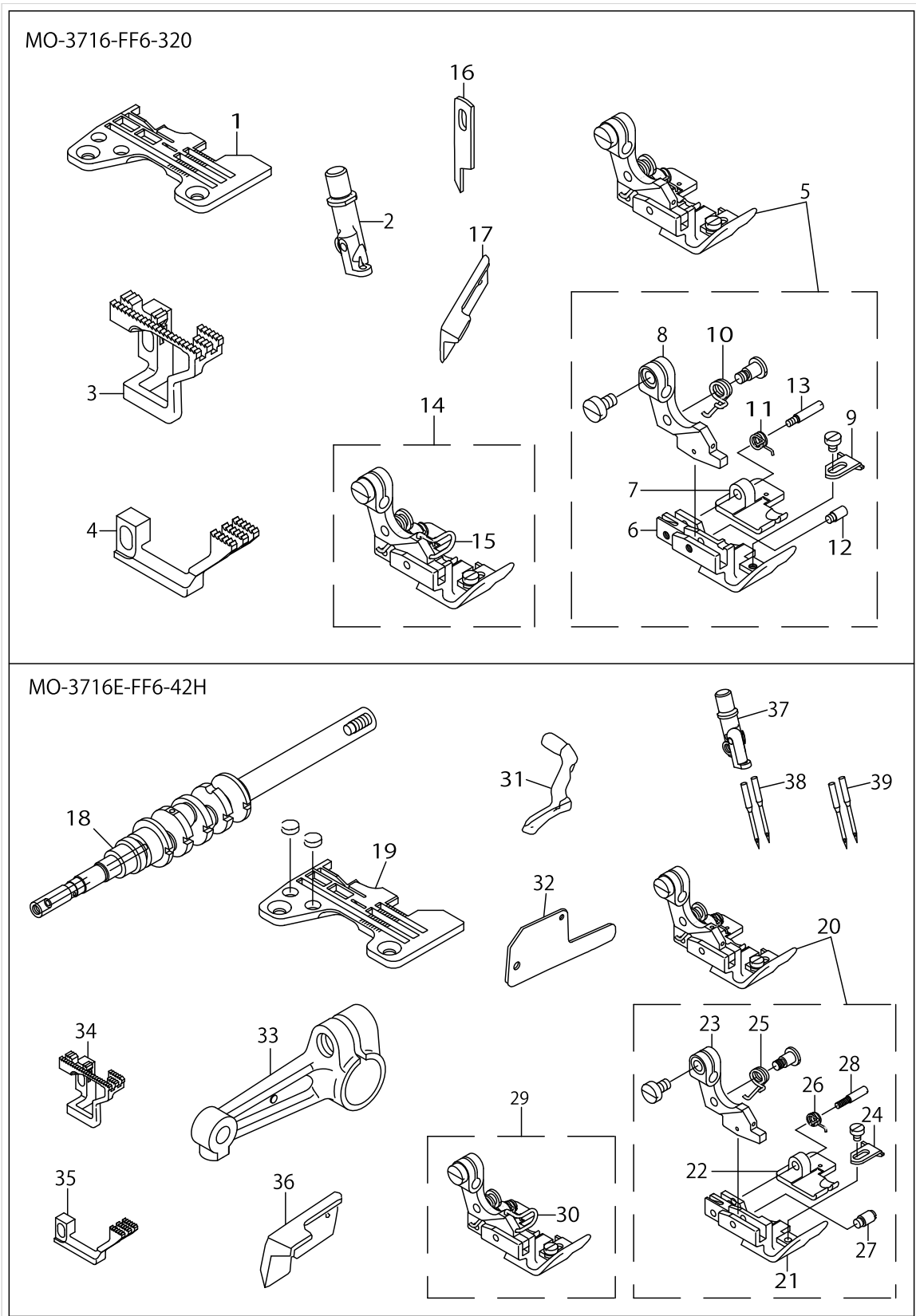
MO-3716-DF6-320



MO-3700 SUBCLASSES (7)

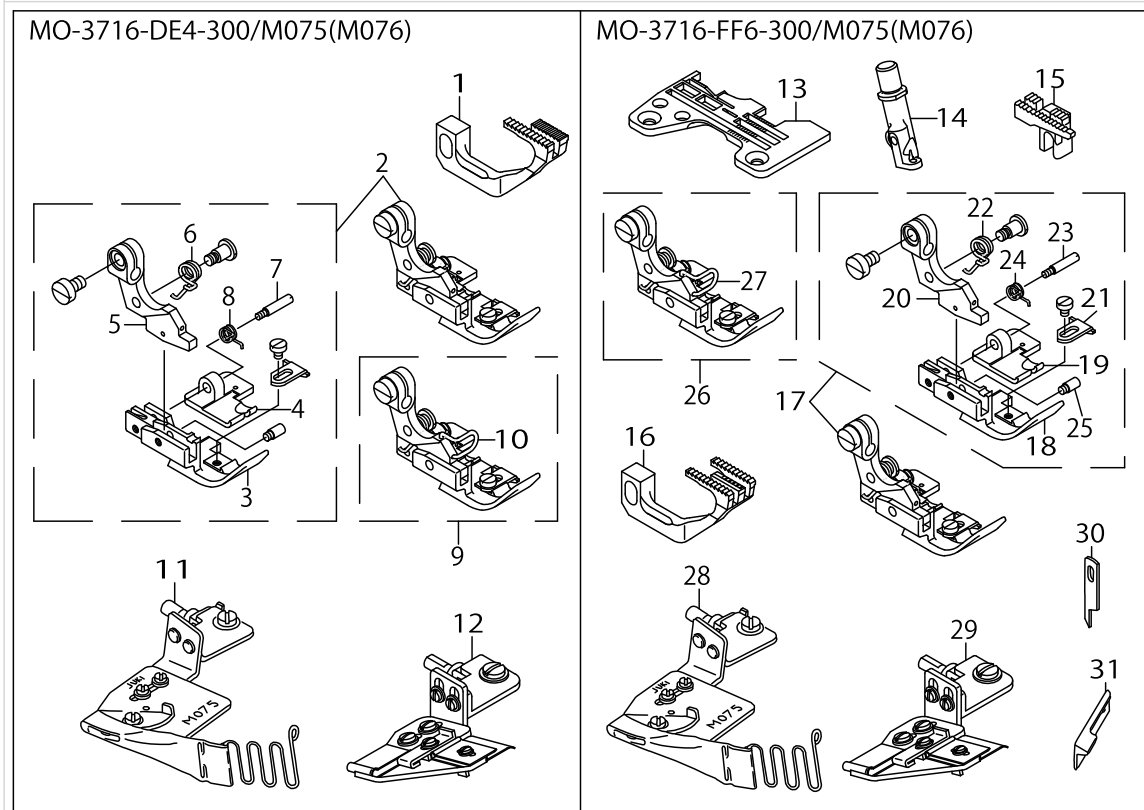
No.	Supply Code	Parts No.	Replacement	Parts name	Remarks	Choice	Step	Level	Cons	Qty	Rep. QTY
1	R	R4508J0ED0B	R4508J6ED0B	THROAT PLATE						1	1.00
2		12170700		MAIN FEED DOG						1	
3		12172904		DIFFERENTIAL FEED DOG						1	
4	R	12154654	12154662	PRESSER FOOT ASM.						1	1.00
5		12157103		PRESSER FOOT HINGE				*		1	
6	D	12163101		FRONT PRESSER FOOT				*		1	
7		12165502		REARPRESSERFOOT				*		1	
8		12168100		CLOTH GUIDE				*		1	
9		B1515816000		PRESSER FOOT ARM SPRING				*		1	
10		11930807		HINGE PIN				*		1	
11		11991304		SPRING				*		1	
12		11993508		PRESSER FOOT HINGE PIN				*		1	
13		12154662		PRESSER FOOT ASM.	FOR EXPORT					1	
14		11820800		FINGER GUARD				*		1	
15		11845609		KNIFE						1	
16		11845807		UPPER KNIFE	FOR EXPORT					1	
17		R4608J0FD0A		THROAT PLATE						1	
18		12170809		MAIN FEED DOG						1	
19		12173407		DIFFERENTIAL FEED DOG						1	
20	R	12154753	12154761	PRESSER FOOT ASM.						1	1.00
21		12163200		FRONT PRESSER FOOT				*		1	
22		12165502		REARPRESSERFOOT				*		1	
23		12168100		CLOTH GUIDE				*		1	
24		B1515816000		PRESSER FOOT ARM SPRING				*		1	
25		12157103		PRESSER FOOT HINGE				*		1	
26		11993508		PRESSER FOOT HINGE PIN				*		1	
27		11991304		SPRING				*		1	
28		11930807		HINGE PIN				*		1	
29	D	12154761		PRESSER FOOT ASM.	FOR EXPORT					1	
30		11820800		FINGER GUARD	FOR EXPORT			*		1	
31		11845609		KNIFE						1	
32		11845807		UPPER KNIFE	FOR EXPORT					1	

MO-3700 SUBCLASSES (8)



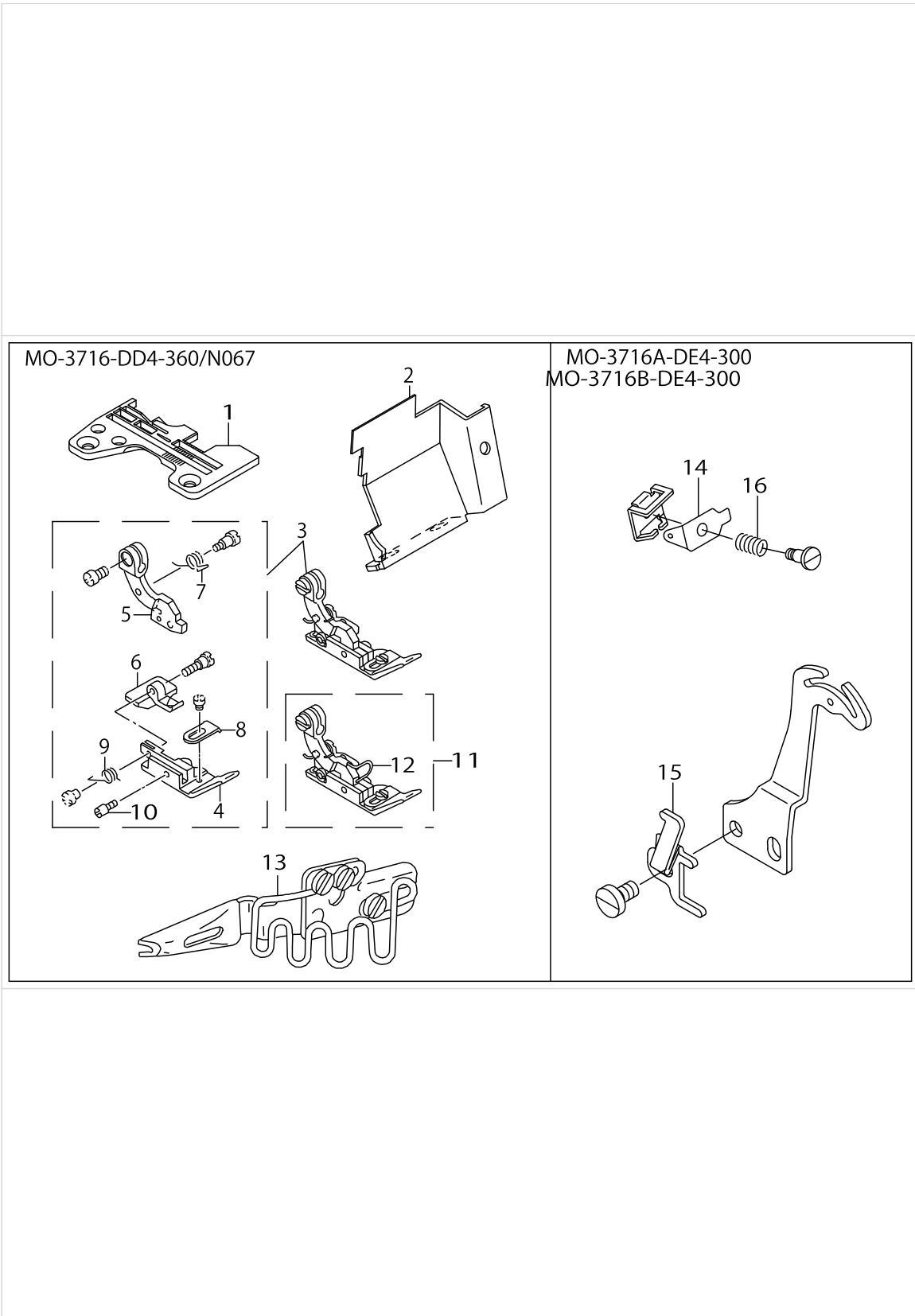
MO-3700 SUBCLASSES (8)

No.	Supply Code	Parts No.	Replacement	Parts name	Remarks	Choice	Step	Level	Cons	Qty	Rep. QTY
1	R	R4612J0FD0A	R4612J6FD0A	THROAT PLATE						1	1.00
2	R	12150306	12257507	NEEDLE CLAMP, CHAIN LOOPER						1	1.00
3		12170908		MAIN FEED DOG						1	
4		12173407		DIFFERENTIAL FEED DOG						1	
5	R	12154852	12154860	PRESSER FOOT ASM.						1	1.00
6	R	12163309	12154860	PRESSER FOOT				*		1	1.00
7		11991205		REARPRESSERFOOT				*		1	
8	R	11991015	11991023	PRESSER FOOT HINGE				*		1	1.00
9		12168100		CLOTH GUIDE				*		1	
10		B151581600B		PRESSER FOOT ARM SPRING B				*		1	
11		11993508		PRESSER FOOT HINGE PIN				*		1	
12		11991304		SPRING				*		1	
13		11930807		HINGE PIN				*		1	
14		12154860		PRESSER FOOT ASM.	FOR EXPORT					1	
15		11820800		FINGER GUARD				*		1	
16		11845609		KNIFE						1	
17		11845807		UPPER KNIFE	FOR EXPORT					1	
18	D	12107207		CRANKSHAFT						1	
19	R	R4612J0FD0A	R4612J6FD0A	THROAT PLATE						1	1.00
20	R	12154852	12154860	PRESSER FOOT ASM.						1	1.00
21	R	12163309	12154860	PRESSER FOOT				*		1	1.00
22		11991205		REARPRESSERFOOT				*		1	
23	R	11991015	11991023	PRESSER FOOT HINGE				*		1	1.00
24		12168100		CLOTH GUIDE				*		1	
25		B151581600B		PRESSER FOOT ARM SPRING B				*		1	
26		11993508		PRESSER FOOT HINGE PIN				*		1	
27		11991304		SPRING				*		1	
28		11930807		HINGE PIN				*		1	
29		12154860		PRESSER FOOT ASM.	FOR EXPORT					1	
30		11820800		FINGER GUARD				*		1	
31		11991908		UPPER LOOPER						1	
32		11991601		UPPER LOOPER GUIDE COVER						1	
33	R	11831500	11831567	UPPER LOOPER ARM B						1	1.00
34		12170908		MAIN FEED DOG						1	
35		12173407		DIFFERENTIAL FEED DOG						1	
36		11845807		UPPER KNIFE						1	
37	R	12150306	12257507	NEEDLE CLAMP, CHAIN LOOPER						1	1.00
38		MDC270B1400		NEEDLE DCX27 #14						2	
39	D	MC033600900		NEEDLE B-27 NM90	FOR JE					2	



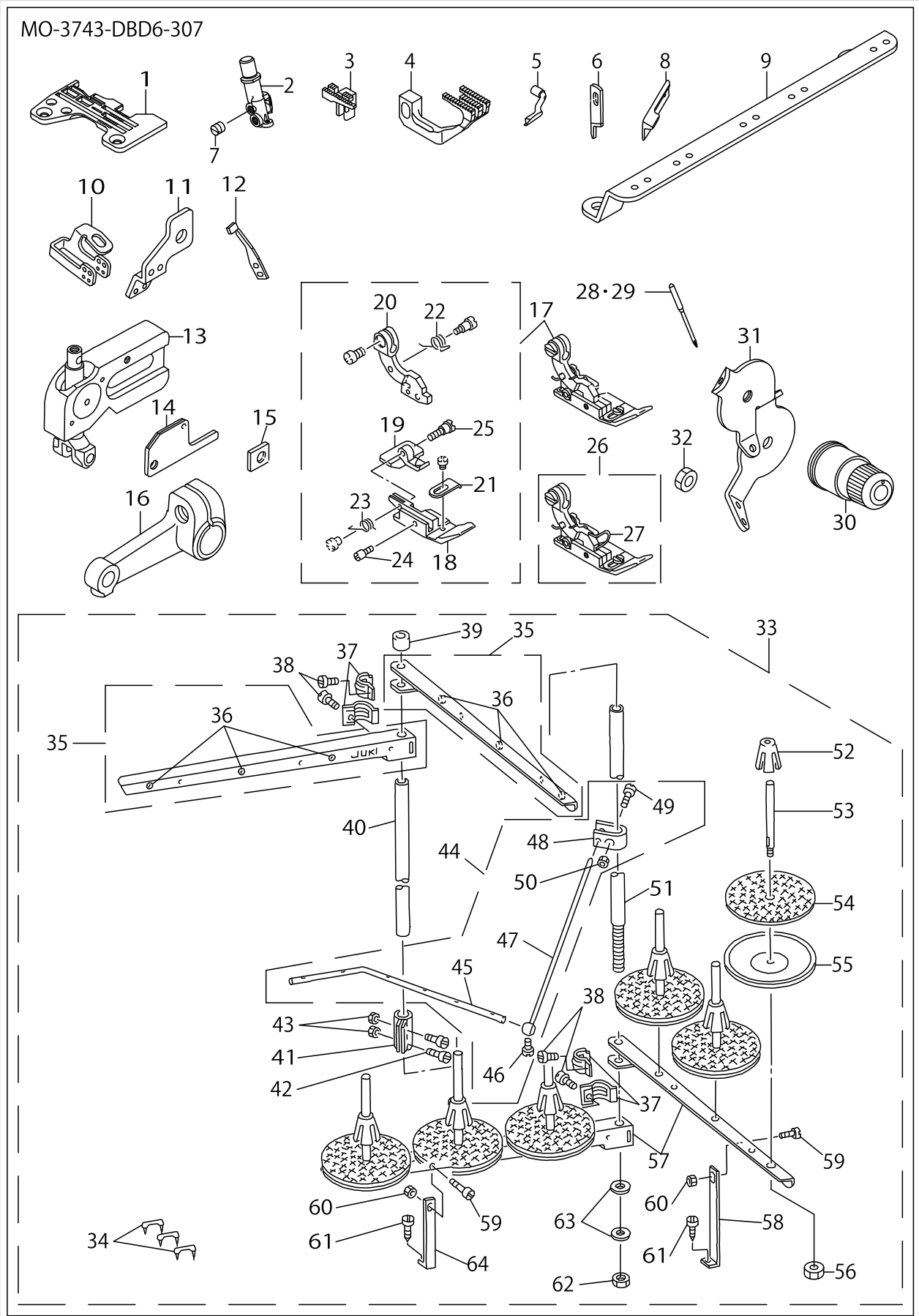
MO-3700 SUBCLASSES (9)

No.	Supply Code	Parts No.	Replacement	Parts name	Remarks	Choice	Step	Level	Cons	Qty	Rep. QTY
1		12173001		DIFFERENTIAL FEED DOG						1	
2	R	12155156	12155164	PRESSER FOOT ASM.						1	1.00
3		12163606		FRONT PRESSER FOOT				*		1	
4	D	12165700		REARPRESSERFOOT				*		1	
5		12157103		PRESSER FOOT HINGE				*		1	
6		B1515816000		PRESSER FOOT ARM SPRING				*		1	
7		11930807		HINGE PIN				*		1	
8		11991304		SPRING				*		1	
9		12155164		PRESSER FOOT ASM.	FOR EXPORT					1	
10		11820800		FINGER GUARD				*		1	
11		MAM0750J0A0		PIPING FOLDER ASM. 9MM	FOR M075					1	
12		MAM0760N0A0		PIPING GUIDE ASM. 13MM	FOR M076					1	
13	R	R4612J0FD00	R4612J6FD00	THROAT PLATE						1	1.00
14	R	12150306	12257507	NEEDLE CLAMP, CHAIN LOOPER						1	1.00
15		11884004		MAIN FEED DOG						1	
16	D	12173605		DIFFERENTIAL FEED DOG						1	
17	R	12155255	12155263	PRESSER FOOT ASM.						1	1.00
18		12163705		FRONT PRESSER FOOT				*		1	
19	D	12165809		REARPRESSERFOOT				*		1	
20	R	11991015	11991023	PRESSER FOOT HINGE				*		1	1.00
21		12168100		CLOTH GUIDE				*		1	
22		11991304		SPRING				*		1	
23		11930807		HINGE PIN				*		1	
24		B151581600B		PRESSER FOOT ARM SPRING B				*		1	
25		11993508		PRESSER FOOT HINGE PIN				*		1	
26		12155263		PRESSER FOOT ASM.	FOR EXPORT					1	
27		11820800		FINGER GUARD				*		1	
28		MAM0750J0A0		PIPING FOLDER ASM. 9MM	FOR M075					1	
29		MAM0760N0A0		PIPING GUIDE ASM. 13MM	FOR M076					1	
30		11845609		KNIFE						1	
31		11845807		UPPER KNIFE	FOR EXPORT					1	



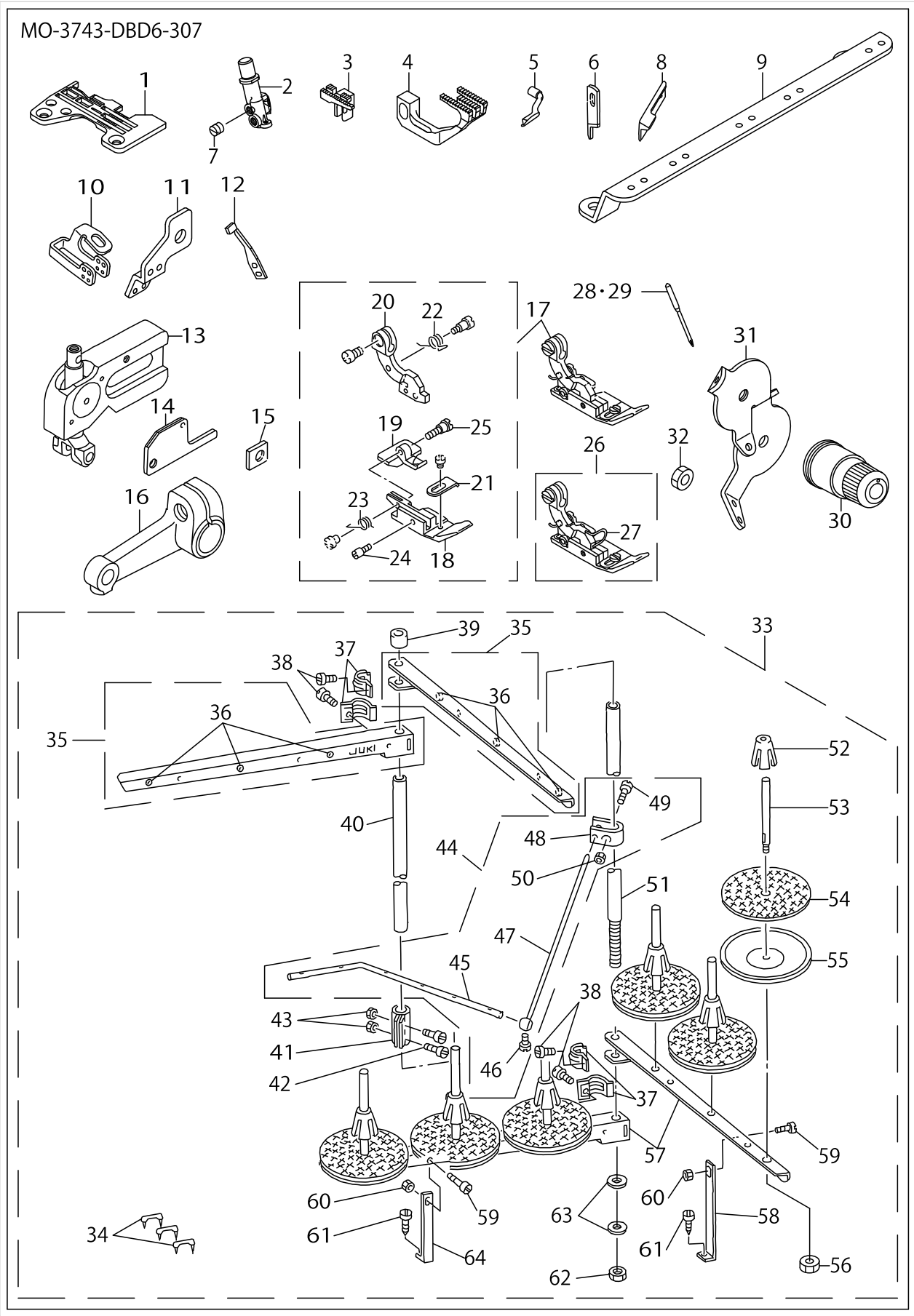
MO-3700 SUBCLASSES (10)

No.	Supply Code	Parts No.	Replacement	Parts name	Remarks	Choice	Step	Level	Cons	Qty	Rep. QTY
1		R4508J0DD0C		THROAT PLATE						1	
2	R	12148003	13105309	CLOTH WASTE COVER						1	1.00
3	R	11879855	11879863	PRESSER FOOT ASM.						1	1.00
4	D	MAT80106N00		HINGED TYPE PRESSER FOOT				*		1	
5		11872108		PRESSER FOOT HINGE				*		1	
6	D	11875309		REARPRESSERFOOT				*		1	
7		B1515816000		PRESSER FOOT ARM SPRING				*		1	
8		B1530816D00		AUXILIARY STOPPER				*		1	
9		B1512816000		SPRING, FOR REAR PRESSER FOOT				*		1	
10		B1510816000		HINGE PIN				*		1	
11	D	11879863		PRESSER FOOT ASM.	FOR EXPORT					1	
12		11820800		FINGER GUARD				*		1	
13	R	MAN067000A0	MAN0670D0A0	TAPE OVEREDGING BINDER ASM.						1	1.00
14		12112504		NEEDLE THREAD P-PRESSER PLATE C						1	
15		12112603		DIFFERENTIAL FEED CAM						1	
16		12112702		NEEDLE THREAD P-PRESSER SPRING B						1	



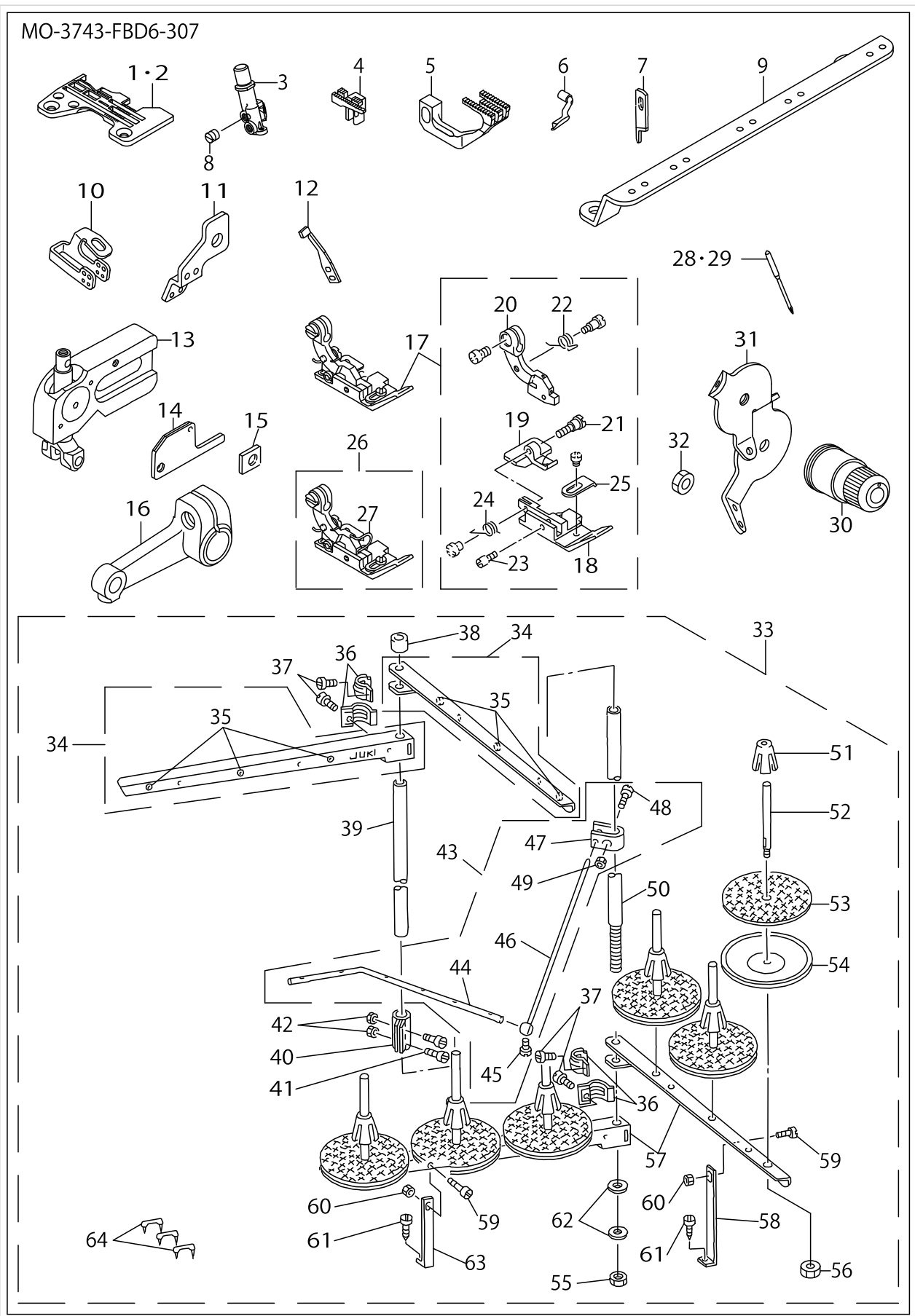
MO-3700 SUBCLASSES (11)

No.	Supply Code	Parts No.	Replacement	Parts name	Remarks	Choice	Step	Level	Cons	Qty	Rep. QTY
1	R	R4608J0DE01	R4608J6DE01	THROAT PLATE						1	1.00
2		12150504		CHAIN LOOPER NEEDLE CLAMP						1	
3		11882305		MAIN FEED DOG						1	
4		12173308		DIFFERENTIAL FEED DOG						1	
5		12176004		UPPER LOOPER						1	
6		11845609		KNIFE						1	
7		SS8080310TP		SCREW 1/8-44 L=2.8						1	
8		11845807		UPPER KNIFE	FOR EXPORT					1	
9	D	12255006		THREAD GUIDE						1	
10		12146403		NEEDLE THREAD G- UIDE, 3-NEEDLE						1	
11		12111902		TAKE-UP LEVER G- UIDE, 2-NEEDLE						1	
12		11999406		NEEDLE HOLDER						1	
13	R	12254256	40016841	UPPER LOOPER GUIDE B ASM.						1	1.00
14		B251570400B		UPPER LOOPER GUIDE COVER B						1	
15	R	11831807	13131909	GAUGE						1	1.00
16	R	11831500	11831567	UPPER LOOPER ARM B						1	1.00
17	R	11877958	11877966	PRESSER FOOT ASM.						1	1.00
18	R	B1507843D00	11877966	PRESSER FOOT				*		1	1.00
19		11875408		REARPRESSERFOOT				*		1	
20		11872108		PRESSER FOOT HINGE				*		1	
21		B1530816D00		AUXILIARY STOPPER				*		1	
22		B1515816000		PRESSER FOOT ARM SPRING				*		1	
23		B1512816000		SPRING, FOR REAR PRESSER FOOT				*		1	
24		B1510816000		HINGE PIN				*		1	
25		B1511816000		HINGE SCREW				*		1	
26		11877966		PRESSER FOOT ASM.	FOR EXPORT					1	
27		11820800		FINGER GUARD				*		1	
28		MDC270B1100		NEEDLE DCX27 #11						1	
29	D	MC033600750		NEEDLE B-27 NM75	FOR JE					1	
30	D	12255352		THREAD TENSION SPRING JUNCTION						1	
31		12255105		TENSION DISK THREAD GUIDE.						1	
32		NS6110310SP		NUT 11/64-40						1	
33	R	11969854	40106586	THREAD STAND ASM.						1	1.00
34		MAO11532000		CORD STAPLE				*		3	
35	D	11969565		SPOOL REST ARM A ASM.				*		2	
36	R	B3319704L00	22931208	THREAD GUIDE				*		6	1.00
37		B3318704L00A		THREAD GUIDE ARM JOINT				*		4	
38		SM6061610SC		SCREW M6 L=16				*		4	
39	R	B3311704000	22931406	SPOOL REST ROD CAP				*		1	1.00
40	R	11185204	40096354	SPOOL REST ROD,UPPER				*		1	1.00
41	R	B3305704000A	40096354	SPOOL REST ROD JOINT				*		1	1.00
42		SM4051405SE		SCREW M5 L=14				*		2	
43		NM6050001SE		NUT M5				*		2	
44		B33098430A0		THREAD GUIDE ARM ASM.				*		1	
45		B3311843000		LOWER THREAD GUIDE				*		1	



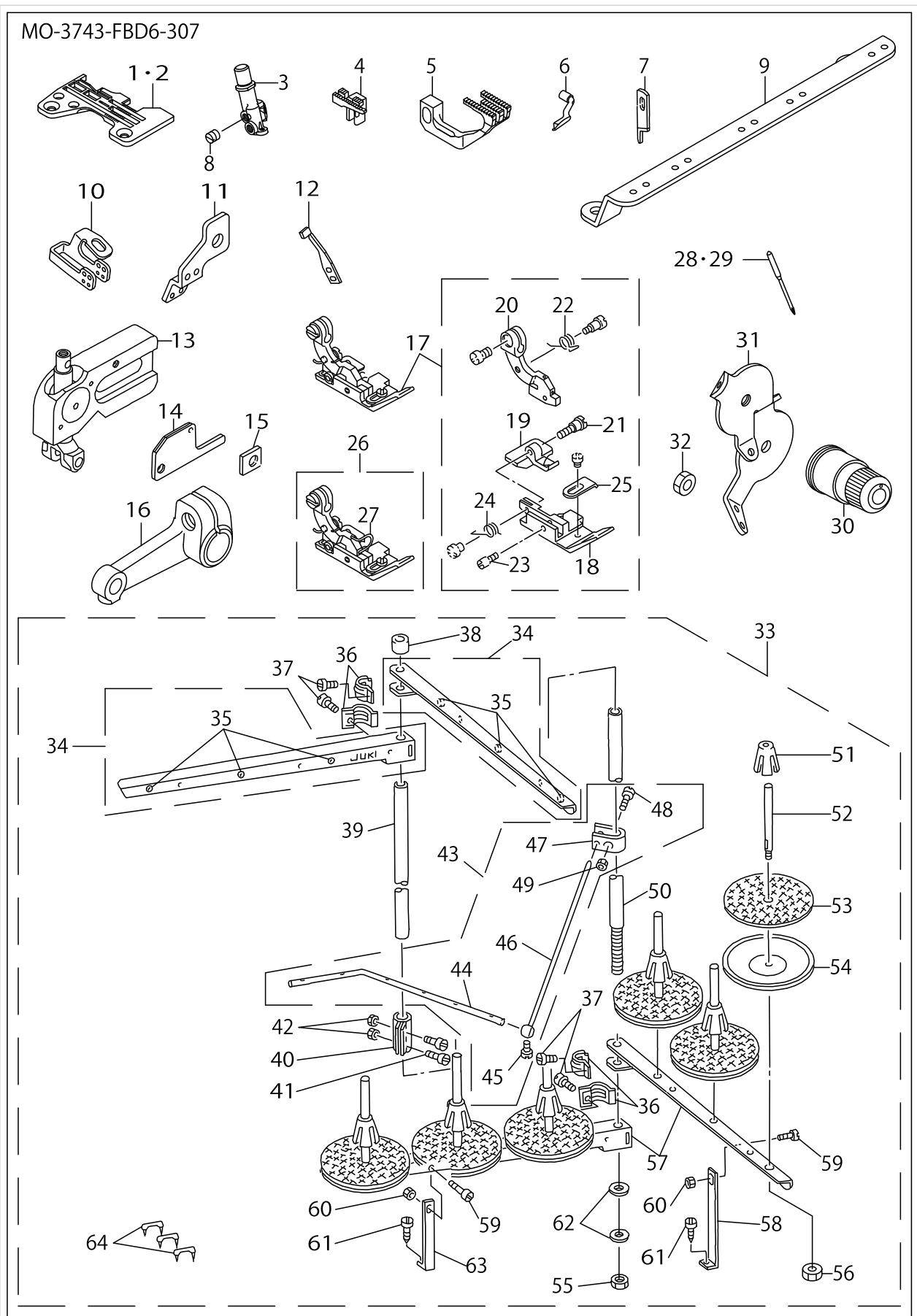
MO-3700 SUBCLASSES (11)

No.	Supply Code	Parts No.	Replacement	Parts name	Remarks	Choice	Step	Level	Cons	Qty	Rep. QTY
46		SS7110540SP		SCREW 11/64-40 L=5				*		1	
47	R	B3309704000	26910059	THREAD GUIDE ARM				*		1	1.00
48	D	B3304704000A		THREAD GUIDE ARM HOLDER				*		1	
49	D	SM6053000SE		SCREW M5X0.8 L=30				*		1	
50		NM6050001SE		NUT M5				*		1	
51	R	11185105	40096354	SPOOL REST ROD,LOWER				*		1	1.00
52	D	11185501		SPOOL RETAINER				*		6	
53	R	B3320704L00A	40085790	SPOOL PIN				*		6	1.00
54	D	B3311012000		SPOOL REST CUSHION				*		6	
55	R	11966504	22930804	SPOOL REST				*		6	1.00
56		NM6050001SE		NUT M5				*		6	
57	R	11969508	13168802	SPOOL REST ARM A				*		2	1.00
58	D	B3321704L0B		SPOOL REST ARM SUPPORT, B				*		1	
59		SM4061201SE		SCREW M6 L=12				*		2	
60		NM6060001SE		NUT M6				*		2	
61		SK3382001SE		SCREW D=3.8 L=20				*		2	
62	R	B3317704000	NM6160511SE	NUT				*		2	1.00
63		WP1612616SE		WASHER 16X30X2.6				*		2	
64		B3321704L00		SPOOL REST ARM SUPPORT, A				*		1	



MO-3700 SUBCLASSES (12)

No.	Supply Code	Parts No.	Replacement	Parts name	Remarks	Choice	Step	Level	Cons	Qty	Rep. QTY
1	R	R4612J0DE03	R4612J6DE03	NEEDLE PLATE	FOR EXPORT					1	1.00
2	R	R4608J0DE01	R4608J6DE01	THROAT PLATE						1	1.00
3	R	12150603	12275004	CHAIN LOOPER NEEDLE CLAMP						1	1.00
4		11884004		MAIN FEED DOG						1	
5		12173308		DIFFERENTIAL FEED DOG						1	
6		12176004		UPPER LOOPER						1	
7		11845609		KNIFE						1	
8		SS8080310TP		SCREW 1/8-44 L=2.8						1	
9	D	12255006		THREAD GUIDE						1	
10		12146403		NEEDLE THREAD G- UIDE, 3-NEEDLE						1	
11		12112801		TAKE-UP LEVER GUIDE						1	
12		11999406		NEEDLE HOLDER						1	
13	R	12254256	40016841	UPPER LOOPER GUIDE B ASM.						1	1.00
14		B251570400B		UPPER LOOPER GUIDE COVER B						1	
15	R	11831807	13131909	GAUGE						1	1.00
16	R	11831500	11831567	UPPER LOOPER ARM B						1	1.00
17	R	11878055	11878063	PRESSER FOOT ASM.						1	1.00
18	R	B1507843F00	B1507843FB0	PRESSER FOOT				*		1	1.00
19		11875507		REARPRESSERFOOT				*		1	
20		11872207		PRESSER FOOT HINGE				*		1	
21		B1511816000		HINGE SCREW				*		1	
22		B151581600B		PRESSER FOOT ARM SPRING B				*		1	
23		B1510816000		HINGE PIN				*		1	
24		B1512816000		SPRING, FOR REAR PRESSER FOOT				*		1	
25		B1530816D00		AUXILIARY STOPPER				*		1	
26		11878063		PRESSER FOOT ASM.	FOR EXPORT					1	
27		11820800		FINGER GUARD				*		1	
28		MDC270B1400		NEEDLE DCX27 #14						1	
29		MC033601000		NEEDLE B-27 NM100	FOR JE					1	
30	D	12255352		THREAD TENSION SPRING JUNCTION						1	
31		12255105		TENSION DISK THREAD GUIDE.						1	
32		NS6110310SP		NUT 11/64-40						1	
33	R	11969854	40106586	THREAD STAND ASM.						1	1.00
34	D	11969565		SPOOL REST ARM A ASM.				*		2	
35	R	B3319704L00	22931208	THREAD GUIDE				*		6	1.00
36	R	B3318704L00	B3318704L00A	THREAD GUIDE ARM JOINT				*		4	1.00
37		SM6061610SC		SCREW M6 L=16				*		4	
38	R	B3311704000	22931406	SPOOL REST ROD CAP				*		1	1.00
39	R	11185204	40096354	SPOOL REST ROD,UPPER				*		1	1.00
40	R	B3305704000A	40096354	SPOOL REST ROD JOINT				*		1	1.00
41		SM4051405SE		SCREW M5 L=14				*		2	
42		NM6050001SE		NUT M5				*		2	
43		B33098430A0		THREAD GUIDE ARM ASM.				*		1	
44		B3311843000		LOWER THREAD GUIDE				*		1	
45		SS7110540SP		SCREW 11/64-40 L=5				*		1	

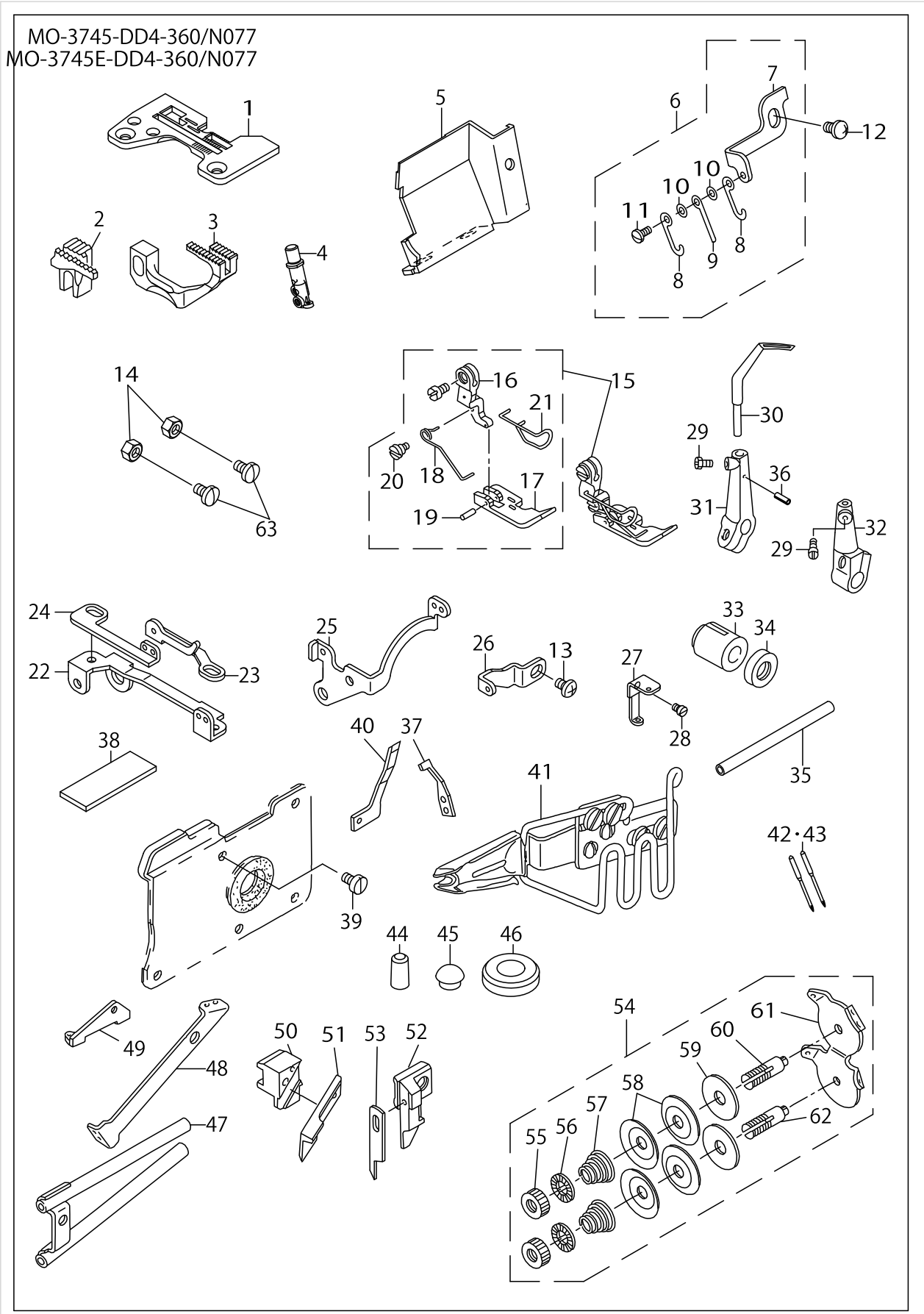


MO-3700 SUBCLASSES (12)

No.	Supply Code	Parts No.	Replacement	Parts name	Remarks	Choice	Step	Level	Cons	Qty	Rep. QTY
46	R	B3309704000	26910059	THREAD GUIDE ARM				*		1	1.00
47	D	B3304704000A		THREAD GUIDE ARM HOLDER				*		1	
48	D	SM6053000SE		SCREW M5X0.8 L=30				*		1	
49		NM6050001SE		NUT M5				*		1	
50	R	11185105	40096354	SPOOL REST ROD,LOWER				*		1	1.00
51	D	11185501		SPOOL RETAINER				*		6	
52	D	B3320704L00		SPOOL PIN				*		6	
53	D	B3311012000		SPOOL REST CUSHION				*		6	
54	R	11966504	22930804	SPOOL REST				*		6	1.00
55	R	B3317704000	NM6160511SE	NUT				*		2	1.00
56		NM6050001SE		NUT M5				*		6	
57	R	11969508	13168802	SPOOL REST ARM A				*		2	1.00
58	D	B3321704L0B		SPOOL REST ARM SUPPORT, B				*		1	
59		SM4061201SE		SCREW M6 L=12				*		2	
60		NM6060001SE		NUT M6				*		2	
61		SK3382001SE		SCREW D=3.8 L=20				*		2	
62		WP1612616SE		WASHER 16X30X2.6				*		2	
63		B3321704L00		SPOOL REST ARM SUPPORT, A				*		1	
64		MAO11532000		CORD STAPLE				*		3	

MO-3700 SUBCLASSES (13)

MO-3745-DD4-360/N077
 MO-3745E-DD4-360/N077

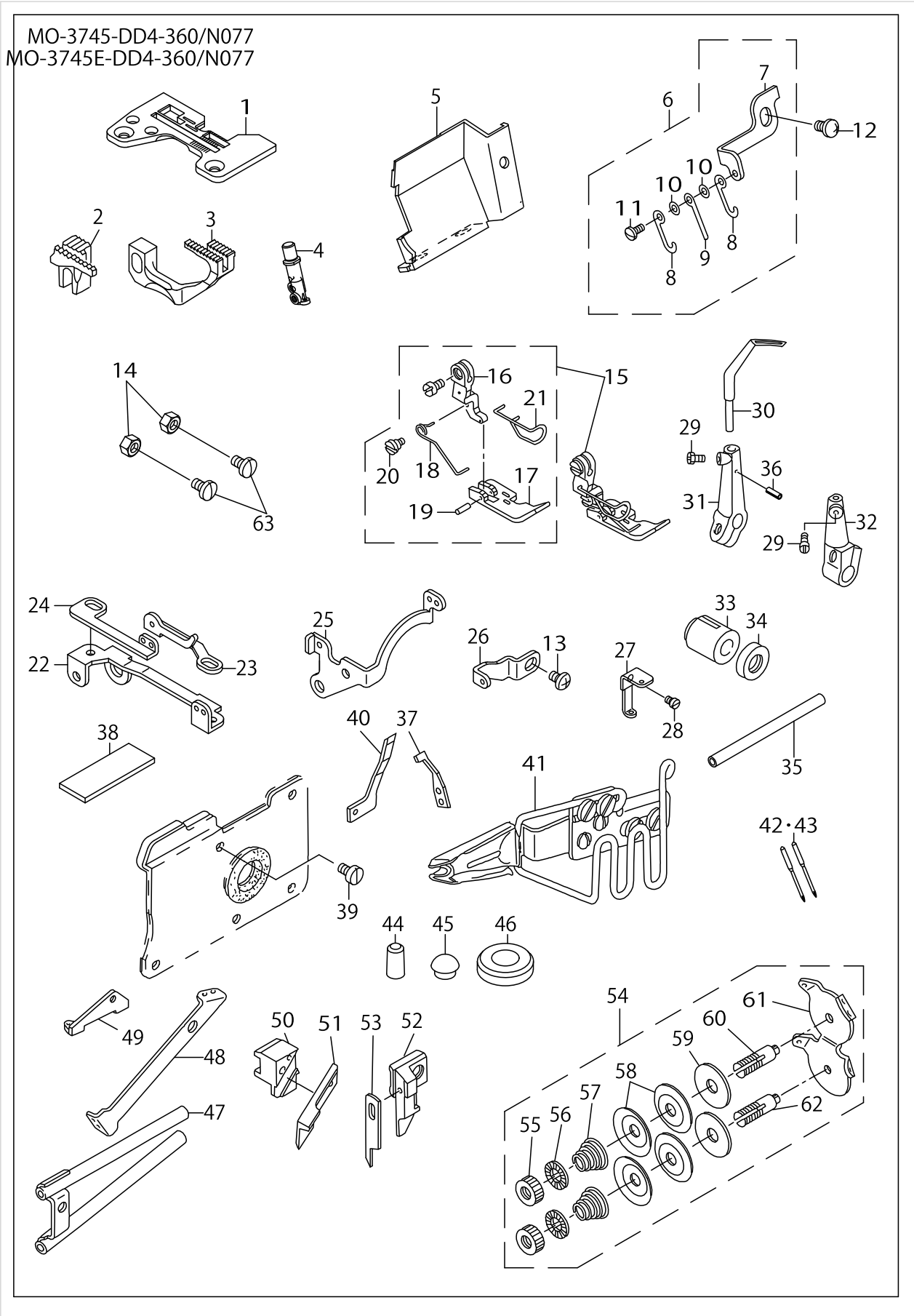


MO-3700 SUBCLASSES (13)

No.	Supply Code	Parts No.	Replacement	Parts name	Remarks	Choice	Step	Level	Cons	Qty	Rep. QTY
1		R4808J0DE00		THROAT PLATE						1	
2		11884202		MAIN FEED DOG						1	
3		12173803		DIFFERENTIAL FEED DOG						1	
4		12275103		NEEDLE CLAMP CHAIN LOOPER.						1	
5		12275301		CLOTH WASTE COVER						1	
6		12145652		CHAIN LOOPER THREAD TAKE-UP						1	
7		12145702		THREAD TAKE-UP FITTING BASE				*		1	
8	R	B1427816000	13112404	NEEDLE THREAD TAKE-UP LEVER A				*		2	1.00
9		B1428816000		NEEDLE THREAD TAKE-UP LEVER B				*		1	
10		WP0250516SD		WASHER 2.5X6X0.5				*		2	
11		SS7060510SP		SCREW 3/32-56 L=4.8				*		1	
12		SM4040655SP		SCREW M4 L=6						1	
13		SS4110515SP		SCREW 11/64-40 L=5				*		1	
14		NS6110420SP		NUT 11/64-40						2	
15	D	11881661		PRESSER FOOT ASM.						1	
16		11872405		PRESSER FOOT HINGE				*		1	
17		11873601		PRESSER FOOT				*		1	
18		11892106		PRESSER SPRING				*		1	
19		B1511357000		PIN				*		1	
20		SD0370401SP		HINGE SCREW D= 3.70 H= 4.0				*		1	
21		11894706		FINGER GUARD				*		1	
22		12146007		THREAD GUIDE BASE						1	
23		12146106		THREAD GUIDE A						1	
24		12146205		THREAD GUIDE B						1	
25		12146304		THREAD GUIDE						1	
26		12145801		CHAIN LOOPER THREAD GUIDE						1	
27		12145900		NEEDLE THREAD GUIDE						1	
28		SS6060340SP		SCREW 3/32-56 L=2.5						1	
29		SS9090610TP		SCREW 9/64-40 L=5.5						2	
30		11999604		DOUBLE-RING LOOPER						2	
31		B211784500A		CHAIN LOOPER SUPPORT ARM A						1	
32		B211784500B		CHAIN LOOPER SUPPORT ARM B						1	
33		B2110845000		BUSHING, FRONT						1	
34		B2121845000		OIL SEAL						1	
35		B2109816000		CHAIN LOOPER SHAFT						1	
36		PS0200062KH		SPRING PIN 2X6						1	
37		11891009		NEEDLE GUARD						1	
38		B2528845000		CHIP GUARD PLATE						1	
39	R	SS6090630SP	SS6090630TP	SCREW 9/64-40 L=6						1	1.00
40		11890902		NEEDLE GUARD						1	
41		MAN0770F0A0		TOP CENTER PLAIT BINDER						1	
42		MDC270B1400		NEEDLE DCX27 #14						2	
43	D	MC033600900		NEEDLE B-27 NM90	FOR JE					2	
44		TA0290601M0		PLUG D=2.9X3.2 L=6						1	
45		TA0570301M0		PLUG D=5.7X6.1 L=3						1	

MO-3700 SUBCLASSES (13)

MO-3745-DD4-360/N077
 MO-3745E-DD4-360/N077



MO-3700 SUBCLASSES (13)

No.	Supply Code	Parts No.	Replacement	Parts name	Remarks	Choice	Step	Level	Cons	Qty	Rep. QTY
46		TA1701002R0		RUBBER PLUG						1	
47		11893054		LOOPER THREAD G- UIDE TUBE ASM.						1	
48		11893104		LOOPER THREAD G- UIDE TUBE GUIDE						1	
49	D	B240284500B		LOOPER THREAD G- UIDE TUBE GUIDE	FOR T039,T040					1	
50		11896305		UPPER KNIFE SUPPORT	FOR EXPORT					1	
51		11845807		UPPER KNIFE	FOR EXPORT					1	
52	D	11896206		UPPER KNIFE SUPPORT	FOR JAPAN					1	
53		11845609		KNIFE	FOR JAPAN					1	
54		11892957		TENSION CONTROLLER ASM.						1	
55		B2314019000		TENSION POST NUT				*		2	
56		B3120125000		ROTATING STOPPER				*		2	
57		B2017372000		TENSION SPRING NO.1				*		2	
58	R	B3126012000	22921506	THREAD TENSION DISK				*		4	1.00
59	R	B3120352000	13139902	THREAD TENSION SPRING FELT				*		2	1.00
60	R	11550803	13139555	THREAD TENSION POST				*		1	1.00
61		11892809		THREAD GUIDE				*		1	
62	D	11892908		THREAD TENSION POST				*		1	
63		SS7110710SL		SCREW 11/64-40 L=7.0						2	

HOW TO MAKE USE OF THIS PARTS LIST

1.Explanation of codes

1)"*"mark.....means this part is changed from the previous parts book.

As to the details of the change, refer to the "List for information of change".

2)"#01".....refer to "Note" explanation at bottom of page.

2.Codes on the "Qty" column

- Each numeral indicates the number of parts required.
- "0.1" and "2.5" indicate the length (in meters) of the respective parts.

3.Parentheses mean that the corresponding part is a subpart that constructs an assembly part.

4.Dotted lines on the Figures indicate assembly parts.

1."注記"欄の記号説明

1) "*"印.....前回のパーツブックに比較して今回変更された部品を意味します。

変更内容は、"変更情報リスト"を参照してください。

2) "#01".....ページ下の"注記"の説明を参照してください。

2.数量欄の数字は、個数を表し、0.1、2.5等の数値は、長さ（単位メートル）を表します。

3.数量欄の（ ）は、組部品を構成している子部品であることを意味します。

4.イラストページの-----枠は、組構成であることを意味します。

NUMERICAL INDEX OF PARTS

PART NO	PAGE	REF NO.	PART NO	PAGE	REF NO.	PART NO	PAGE	REF NO.
11185105	24	51	11872405	30	16	11969854	22	33
11185105	28	50	11873601	30	17	11969854	26	33
11185204	22	40	11875309	20	6	11987708	4	12
11185204	26	39	11875408	22	19	11991015	10	4
11185501	24	52	11875507	26	19	11991015	16	23
11185501	28	51	11877958	22	17	11991015	18	20
11550803	32	60	11877966	22	26	11991114	10	11
11565900	12	20	11878055	26	17	11991171	10	3
11566502	12	21	11878063	26	26	11991189	10	13
11820800	10	14	11879855	20	3	11991205	10	7
11820800	14	30	11879863	20	11	11991205	16	22
11820800	16	30	11881661	30	15	11991304	10	8
11820800	18	27	11882305	22	3	11991304	14	27
11820800	20	12	11882909	4	7	11991304	16	27
11820800	22	27	11883006	8	17	11991304	18	22
11820800	26	27	11883006	10	18	11991601	10	16
11831500	10	17	11884004	4	23	11991601	12	14
11831500	12	15	11884004	6	16	11991601	16	32
11831500	16	33	11884004	18	15	11991908	10	15
11831500	22	16	11884004	26	4	11991908	16	31
11831500	26	16	11884202	30	2	11993508	10	10
11831807	22	15	11884400	8	3	11993508	14	26
11831807	26	15	11888609	2	1	11993508	16	26
11845609	4	25	11890902	30	40	11993508	18	25
11845609	6	25	11891009	30	37	11999208	8	16
11845609	8	28	11892106	30	18	11999406	22	12
11845609	10	20	11892809	32	61	11999406	26	12
11845609	14	31	11892908	32	62	11999604	30	30
11845609	16	16	11892957	32	54	11999802	12	18
11845609	18	30	11893054	32	47	12004909	12	19
11845609	22	6	11893104	32	48	12107207	10	1
11845609	26	7	11894706	30	21	12107207	16	18
11845609	32	53	11896206	32	52	12107306	12	1
11845807	4	26	11896305	32	50	12111902	22	11
11845807	6	26	11930708	12	8	12112504	20	14
11845807	8	29	11930807	10	9	12112603	20	15
11845807	10	21	11930807	14	28	12112702	20	16
11845807	14	32	11930807	16	28	12112801	12	24
11845807	16	36	11930807	18	23	12112801	26	11
11845807	18	31	11966504	24	55	12133500	12	23
11845807	22	8	11966504	28	54	12133682	12	22
11845807	32	51	11969508	24	57	12145652	30	6
11872108	20	5	11969508	28	57	12145702	30	7
11872108	22	20	11969565	22	35	12145801	30	26
11872207	26	20	11969565	26	34	12145900	30	27

NUMERICAL INDEX OF PARTS

PART NO	PAGE	REF NO.	PART NO	PAGE	REF NO.	PART NO	PAGE	REF NO.
12146007	30	22	12162608	8	6	12173407	16	35
12146106	30	23	12162707	4	28	12173506	8	18
12146205	30	24	12162707	6	19	12173506	10	19
12146304	30	25	12162707	8	20	12173605	18	16
12146403	22	10	12163101	14	6	12173803	30	3
12146403	26	10	12163200	14	21	12174207	12	17
12148003	20	2	12163309	16	21	12174306	2	15
12150306	4	22	12163606	18	3	12176004	22	5
12150306	6	15	12163705	18	18	12176004	26	6
12150306	8	15	12164000	12	7	12176202	12	13
12150306	10	22	12165205	4	16	12254256	22	13
12150306	16	37	12165205	8	7	12254256	26	13
12150306	18	14	12165304	4	29	12254850	2	4
12150504	22	2	12165304	6	20	12255006	22	9
12150603	26	3	12165304	8	21	12255006	26	9
12150702	12	25	12165502	14	22	12255105	22	31
12154159	4	14	12165700	18	4	12255105	26	31
12154159	8	5	12165809	18	19	12255352	22	30
12154167	4	19	12165908	12	5	12255352	26	30
12154167	8	12	12168001	4	31	12273900	12	28
12154258	4	27	12168001	6	22	12275103	30	4
12154258	6	18	12168001	8	23	12275301	30	5
12154258	8	19	12168100	14	23	B1427816000	30	8
12154266	4	32	12168100	16	24	B1428816000	30	9
12154266	6	23	12168100	18	21	B1507843D00	22	18
12154266	8	24	12168209	4	33	B1507843F00	26	18
12154654	14	4	12168209	6	24	B1510816000	20	10
12154662	14	13	12168209	8	25	B1510816000	22	24
12154753	14	20	12168407	12	6	B1510816000	26	23
12154761	14	29	12168506	12	9	B1511357000	30	19
12154852	16	20	12168605	12	10	B1511816000	22	25
12154860	16	29	12168803	12	12	B1511816000	26	21
12155156	18	2	12170700	14	2	B1512816000	20	9
12155164	18	9	12170809	14	18	B1512816000	22	23
12155255	18	17	12170908	16	34	B1512816000	26	24
12155263	18	26	12171104	12	16	B1514816000	10	6
12155552	12	3	12171302	2	14	B1515816000	14	24
12155560	12	11	12172904	14	3	B1515816000	18	6
12157004	4	30	12173001	18	1	B1515816000	20	7
12157004	6	21	12173100	6	17	B1515816000	22	22
12157004	8	22	12173209	4	8	B151581600B	10	5
12157103	14	25	12173308	4	24	B151581600B	16	25
12157103	18	5	12173308	22	4	B151581600B	18	24
12157319	12	4	12173308	26	5	B151581600B	26	22
12162608	4	15	12173407	14	19	B1530816D00	10	12

NUMERICAL INDEX OF PARTS

PART NO	PAGE	REF NO.	PART NO	PAGE	REF NO.	PART NO	PAGE	REF NO.
B1530816D00	20	8	MAN067000A0	20	13	R4612J0DE03	26	1·2
B1530816D00	22	21	MAN0770F0A0	30	41	R4612J0FD00	4	21
B1530816D00	26	25	MAO11532000	22	34	R4612J0FD00	18	13
B2017372000	32	57	MAO11532000	28	64	R4612J0FD0A	16	19
B2109816000	30	35	MAT80106N00	20	4	R4612J0FF00	10	2
B2110845000	30	33	MC033600750	22	28·29	R4612J0FG00	8	14
B211784500A	30	31	MC033600900	16	39	R4612J0FK00	12	2
B211784500B	30	32	MC033600900	30	42·43	R4808J0DE00	30	1
B2121845000	30	34	MC033601000	8	26·27	SD0370401SP	30	20
B2314019000	32	55	MC033601000	10	24	SK3382001SE	24	61
B240284500B	32	49	MC033601000	26	28·29	SK3382001SE	28	61
B251570400B	22	14	MC033601300	12	27	SM4040655SP	30	12
B251570400B	26	14	MDC270B1100	22	28·29	SM4051405SE	22	42
B2528845000	30	38	MDC270B1400	16	38	SM4051405SE	26	41
B3120125000	32	56	MDC270B1400	26	28·29	SM4061201SE	24	59
B3120352000	32	59	MDC270B1400	30	42·43	SM4061201SE	28	59
B3126012000	32	58	MDC270B1600	8	26·27	SM6053000SE	24	49
B3304704000A	24	48	MDC270B1600	10	23	SM6053000SE	28	48
B3304704000A	28	47	MDC270B2100	12	26	SM6061610SC	22	38
B3305704000A	22	41	NM6050001SE	22	56	SM6061610SC	26	37
B3305704000A	26	40	NM6050001SE	24	56	SS4110515SP	30	13
B3309704000	24	47	NM6050001SE	26	56	SS6060340SP	30	28
B3309704000	28	46	NM6050001SE	28	56	SS6090630SP	2	2
B33098430A0	22	44	NM6060001SE	24	60	SS6090630SP	30	39
B33098430A0	26	43	NM6060001SE	28	60	SS7060510SP	30	11
B3311012000	24	54	NS6110310SP	22	32	SS7110540SP	24	46
B3311012000	28	53	NS6110310SP	26	32	SS7110540SP	26	45
B3311704000	22	39	NS6110420SP	30	14	SS7110710SL	2	3
B3311704000	26	38	PS0200062KH	30	36	SS7110710SL	32	63
B3311843000	22	45	R4508J0DD00	2	5	SS8080310TP	22	7
B3311843000	26	44	R4508J0DD0C	20	1	SS8080310TP	26	8
B3317704000	24	62	R4508J0DD0E	2	7	SS9090610TP	30	29
B3317704000	28	55	R4508J0ED0B	14	1	TA0290601M0	30	44
B3318704L00	26	36	R4508J0ED0D	2	10	TA0570301M0	30	45
B3318704L00A	22	37	R4508J0FD00	2	6	TA1701002R0	32	46
B3319704L00	22	36	R4508J0FD00	6	1	WP0250516SD	30	10
B3319704L00	26	35	R4508J0FD0B	2	13	WP1612616SE	24	63
B3320704L00	28	52	R4512J0GD00	6	14	WP1612616SE	28	62
B3320704L00A	24	53	R4608J0DD00	4	1			
B3321704L00	24	64	R4608J0DE01	22	1			
B3321704L00	28	63	R4608J0DE01	26	1·2			
B3321704L0B	24	58	R4608J0ED00	4	6			
B3321704L0B	28	58	R4608J0FD00	4	11			
MAM0750J0A0	18	28	R4608J0FD0A	14	17			
MAM0760N0A0	18	29	R4608J0FG00	8	1			