

MODEL : MOC-3904/MOC-3914

List No : 0936-06

# PARTS LIST

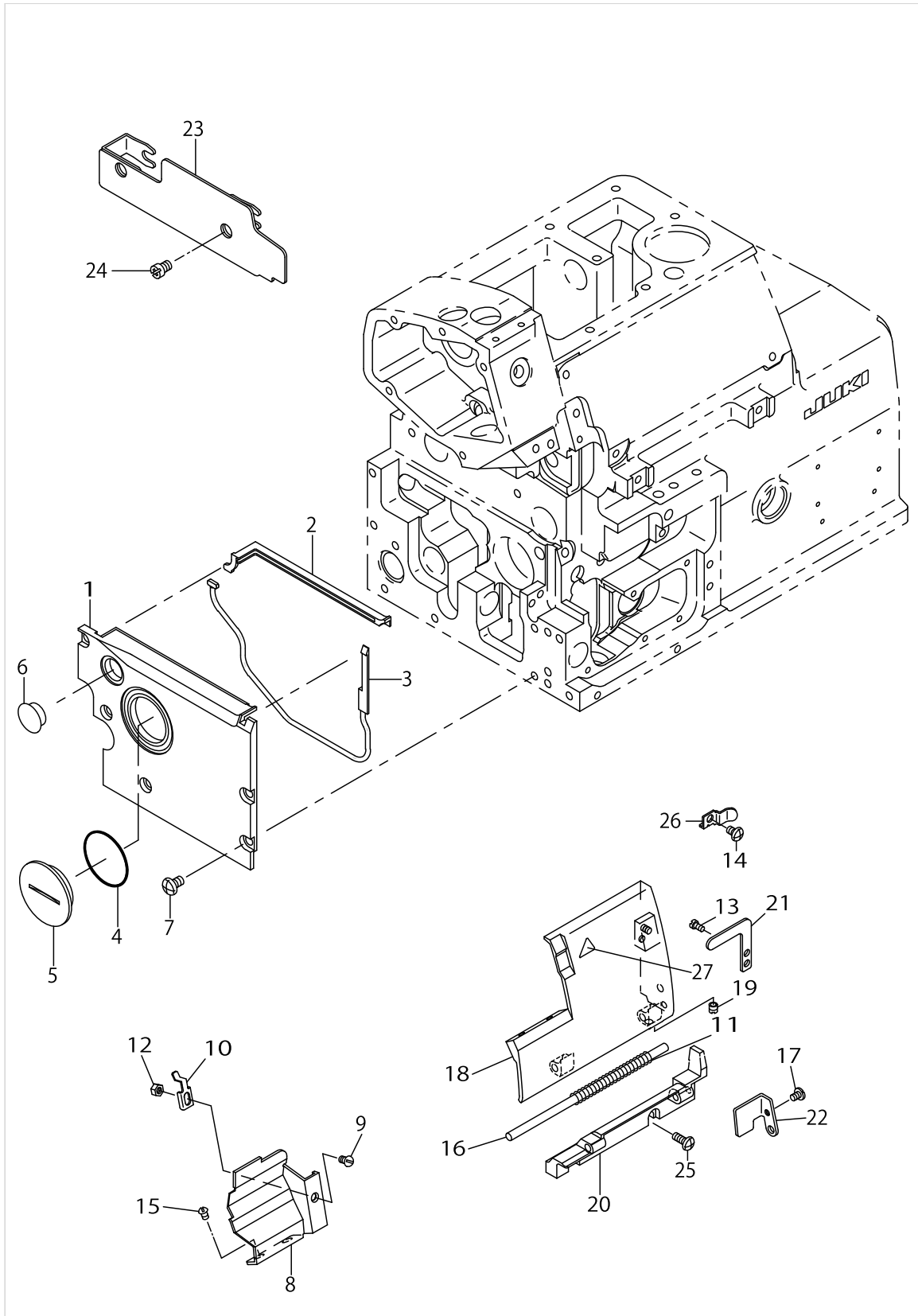
Published:05/12/2017

## CONTENTS

---

FRAME COMPONENTS(1).....	1
FRAME COMPONENTS(2).....	3
CRANKSHAFT COMPONENTS .....	7
NEEDLE DRIVING SHAFT COMPONENTS .....	11
FEED MECHANISM COMPONENTS(1) .....	15
FEED MECHANISM COMPONENTS(2) .....	17
UPPER & LOWER LOOPER COMPONENTS .....	21
PRESSER FOOT COMPONENTS(1) .....	25
PRESSER FOOT COMPONENTS(2) .....	27
THREAD TENSION COMPONENTS .....	31
LOWER KNIFE COMPONENTS.....	35
UPPER KNIFE COMPONENTS .....	37
NEEDLE COOLING MECHANISM COMPONENTS.....	39
LUBRICATION MECHANISM COMPONENTS.....	41
SEMI-SUNKEN TYPE TABLE COMPONENTS.....	45
THREAD STAND COMPONENTS(FOR MO-3904,MO-3914).....	47
SPECIAL ORDER PARTS COMPONENTS.....	51
LIST FOR INFORMATION OF CHANGE.....	53
HOW TO MAKE USE OF THIS PARTS LIST .....	54

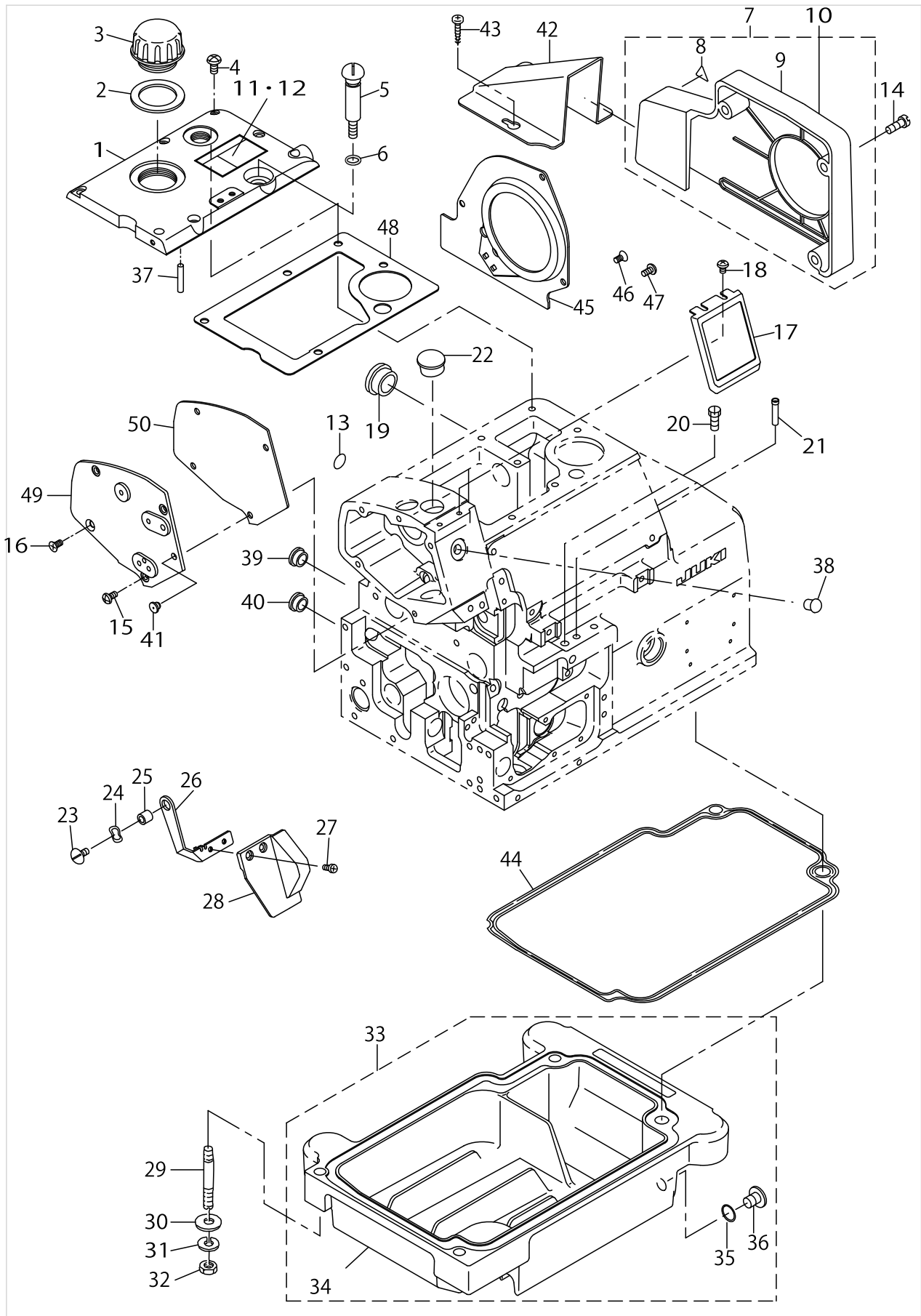
FRAME COMPONENTS(1)



FRAME COMPONENTS(1)

No.	Supply Code	Parts No.	Replacement	Parts name	Remarks	Choice	Step	Level	Cons	Qty	Rep. QTY
1	D	12200200		FEED MECHAISM COVER						1	
2		12200309		GASKET A						1	
3		12200408		GASKET B						1	
4		RO315200100		RUBBER RING						1	
5		12200507		COVER						1	
6		TA1450404R0		RUBBER PLUG D=14.5 L=4						1	
7		SM4050855SP		SCREW						5	
8		12229100		CHIP GUARD COVER						1	
9		SS2090520SL		SCREW 9/64-40 L=5						1	
10	R	12101515	13102405	GROTH WASTE COVER STOPPER						1	1.00
11	R	B1140716000	13101209	SPRING						1	1.00
12		NS6090310SN		NUT 9/64-40						1	
13		SS7090530SP		SCREW 9/64-40 L=4.5						1	
14		SM4040655SP		SCREW M4 L=6						1	
15		SS3090610SP		SCREW 9/64-40 L=6						2	
16	D	11803004		LOOPER COVER HINGE PIN						1	
17		SS7090610SP		SCREW 9/64-40 L=6						1	
18	R	12200903	31250806	LOOPER COVER						1	1.00
19		SS8110410TP		SCREW 11/64-40 L= 3.5						1	
20	R	12200804	31250707	LOOPER COVER BRACKET						1	1.00
21		12103206		LOOPER COVER PRESSER PLATE						1	
22	R	12101408	13101001	GUIDE PLATE						1	1.00
23	R	12200655	31250657	SIDE COVER ASM.						1	1.00
24		SS4120615SP		SCREW 3/16-28 L=6						2	
25		SM4041055SP		SCREW						2	
26	R	12103404	13101308	LOOPER COVER PRESSER SPRING						1	1.00
27		CM300200001		ATTENTION SEAL	FOR JE					1	

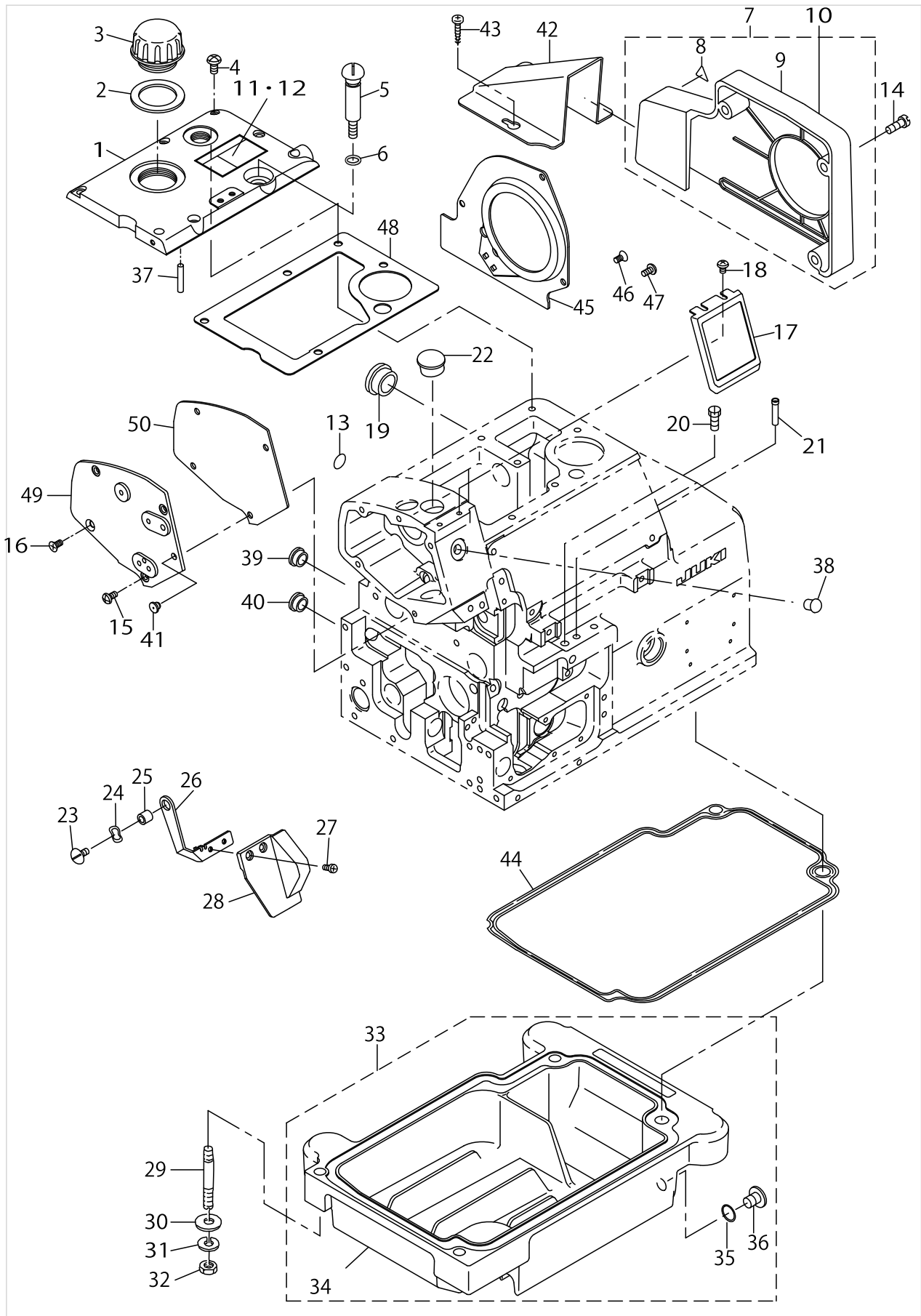
FRAME COMPONENTS(2)



FRAME COMPONENTS(2)

No.	Supply Code	Parts No.	Replacement	Parts name	Remarks	Choice	Step	Level	Cons	Qty	Rep. QTY
1	D	12100418		UPPER COVER						1	
2	R	12100707	11500808	GASKET						1	1.00
3	D	12100608		OIL CAP						1	
4		SM4051255SP		SCREW.,M5 L=12.						6	
5	D	12100806		OIL DRAIN SCREW						1	
6		RO078190100		RUBBER RING						1	
7	D	12101952		BELT COVER ASM.	FOR JAPAN					1	
8		CM3002000A1		CAUTION LABEL(16)	FOR JAPAN			*		1	
9	R	12101903	12101952	BELT COVER	FOR JAPAN			*		1	1.00
10	R	12101903	12101952	BELT COVER	FOR EXPORT					1	1.00
11		CM300200101		SAFETY LABEL, 1(SMALL).	FOR JAPAN					1	
12		CM3002001A1		SAFETY LABEL.,3 (SMALL).	FOR EXPO- RT(EXCEPT JE)					1	
13	R	10004109	22901805	GROUND MARK						1	1.00
14		SS4151215SP		SCREW15/64-28L=12						3	
15		SM4040855SP		SCREW						3	
16		SM1040801SC		SCREW M4X0.7 L=8						1	
17		12201059		BRAND LABEL ASM.						1	
18		SM4040601SC		SCREW M4X0.7 L=6						2	
19		TA2050805R0		RUBBER PLUG						1	
20		SS9151210TP		SCREW 15/64-28 L=11.8						1	
21	R	11805207	13102900	THREAD GUIDE, LARGE						2	1.00
22		TA1701107R0		RUBBER PLUG						1	
23		SS5110710SP		SCREW 11/64-40 L=7						1	
24		WZ0850302K0		WAVED WASHER 8.5X12.5X0.3						1	
25		B3013141H0A		WASHER						1	
26	R	12102000	12342002	SAFETY PLATE BRACKET						1	1.00
27		SS7090611SL		SCREW 9/64-40 L=6.1						2	
28		12104907		SAFETY PLATE						1	
29		11503703		SCREW STUD						4	
30		WP0751576SD		WASHER 7.5X19X1.5						4	
31		WS0822010KP		SPRING WASHER 8.2X15X2						4	
32		NS6680410SP		NUT 9/32-28						4	
33		12201166		OIL RESERVOIR ASM.						1	
34		12201117		OIL RESERVOIR				*		1	
35		RO074240100		RUBBER RING				*		1	
36		SM0081001SD		SCREW				*		1	
37		PS0300132KH		SPRING PIN 3X13						1	
38		TA1250406R0		RUBBER PLUG D=12.5 L=4						1	
39		TA0800504R0		PLUG D=8 L=4.5						1	
40		TA1470702R0		RUBBER PLUG						1	
41		12258000		BUSH						1	
42	D	12105201		BELT COVER	FOR JE					1	
43	R	SK3412000SC	SK3412000SE	WOOD SCREW D=4.1 L=20	FOR JE					2	1.00
44		12201208		OIL RESERVOIR GASKET						1	
45		12101804		COOLING FAN PLATE						1	
46		SM1040801SC		SCREW M4X0.7 L=8						1	

FRAME COMPONENTS(2)

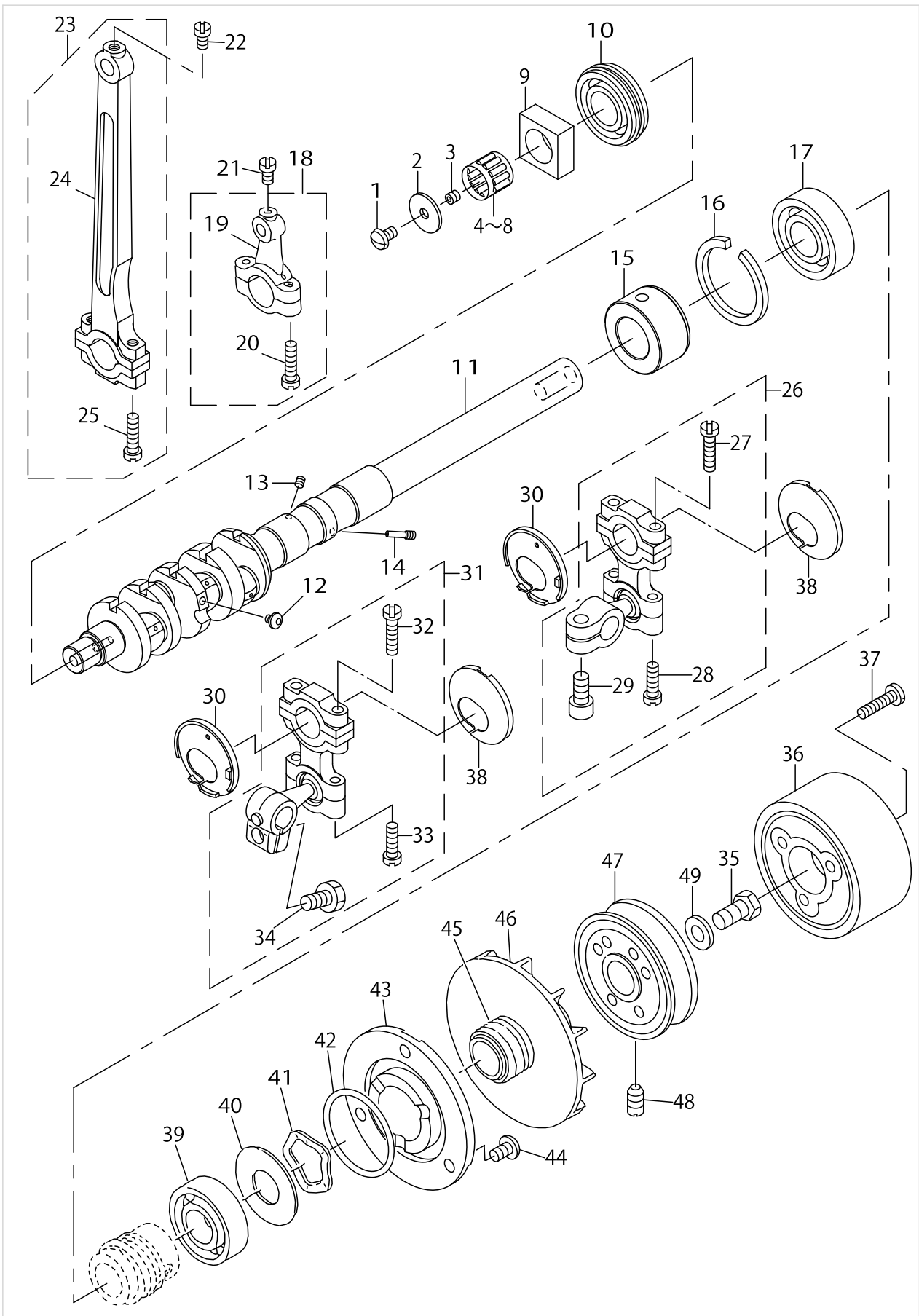


FRAME COMPONENTS(2)

No.	Supply Code	Parts No.	Replacement	Parts name	Remarks	Choice	Step	Level	Cons	Qty	Rep. QTY
47		SM4040855SP		SCREW						2	
48	D	12100517		UPPER COVER GASKET						1	
49	D	12250205		SIDE COVER						1	
50	D	12100301		SIDE COVER GASKET						1	



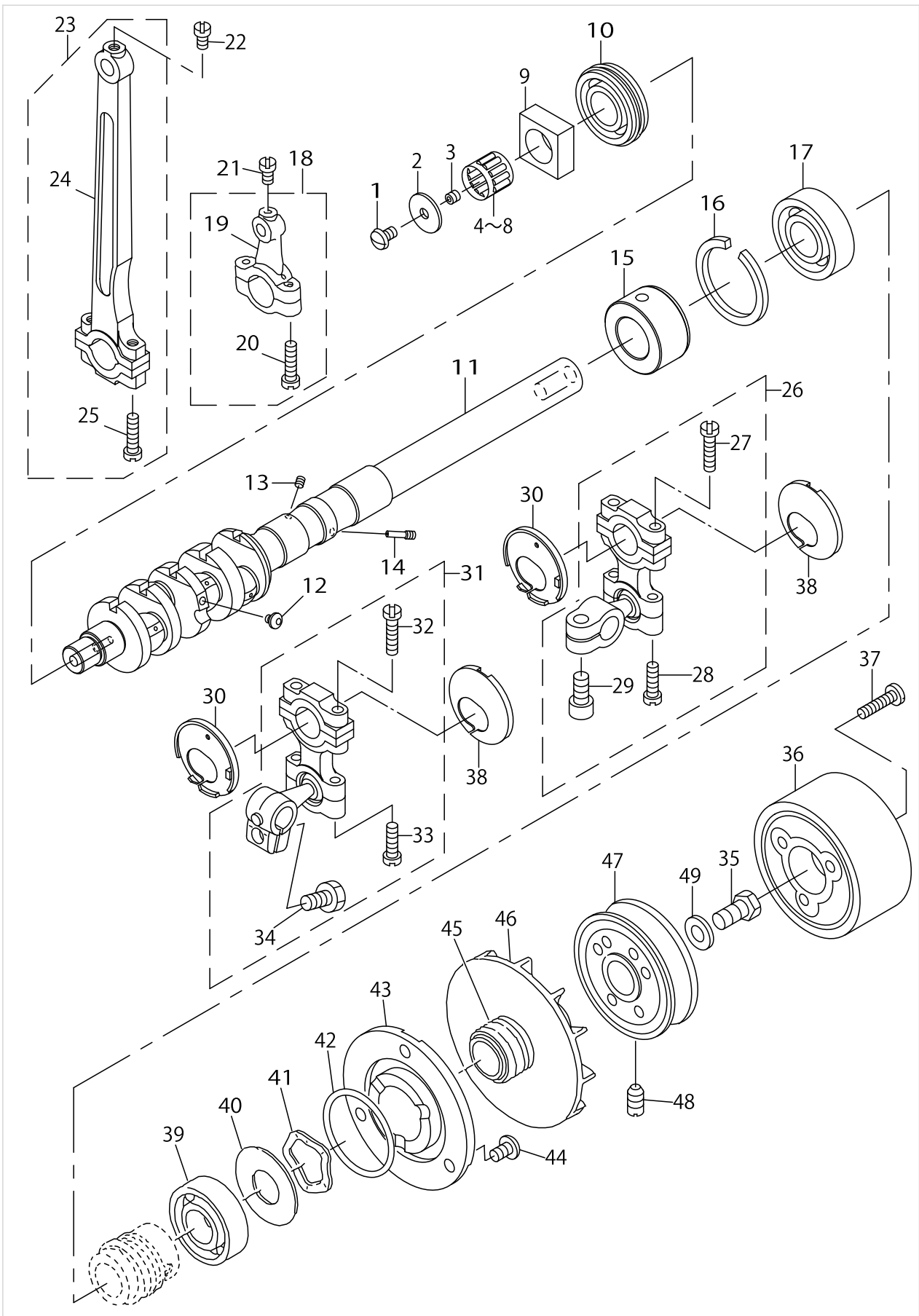
CRANKSHAFT COMPONENTS



CRANKSHAFT COMPONENTS

No.	Supply Code	Parts No.	Replacement	Parts name	Remarks	Choice	Step	Level	Cons	Qty	Rep. QTY
1		SS5110740TP		SCREW 11/64-40 L= 6.5						1	
2		12204004		THRUST HOLDER						1	
3		SS8110422TP		SCREW 11/64-40 L=4						1	
4		SB31200030A		BEARING	SELECTIVE PART					1	
5	D	SB31200030B		BEARING	SELECTIVE PART					1	
6		SB31200030C		BEARING	SELECTIVE PART					1	
7	D	SB31200030D		BEARING	SELECTIVE PART					1	
8		SB31200030E		BEARING	SELECTIVE PART					1	
9		12210100		SLIDE BLOCK						1	
10		12204202		BALL BEARING D						1	
11	D	12203600		CRANK SHAFT						1	
12		SS5080212TP		SCREW 1/8-44 L=2						5	
13		SS8080410TP		SCREW 1/8-44 L=3.5						1	
14	R	12204103	31251804	OIL ADJUSTING SCREW						1	1.00
15		12203907		CRANK SHAFT BUSHING C						1	
16		B1212704000		BEARING RETAINER						1	
17	R	B1211804000	13108600	BALL BEARING B						1	1.00
18	R	12132155	13232558	KNIFE DRIVING ROD ASM.						1	1.00
19	R	12132106	13232558	KNIFE DRIVING ROD				*		1	1.00
20		SS7111810TP		SCREW 11/64-40 L=18				*		2	
21		SS7110840SP		SCREW 11/64-40 L=7.8						1	
22		SS7110840SP		SCREW 11/64-40 L=7.8						1	
23	R	12109153	13207550	CONNECTING ROD ASM.						1	1.00
24	R	12109104	13207550	CONNECTING ROD				*		1	1.00
25		SS7111810TP		SCREW 11/64-40 L=18				*		2	
26	R	12122354	12122362	UPPER LOOPER ROD ASM.						1	1.00
27		SS7111810TP		SCREW 11/64-40 L=18				*		2	
28		SS7111410TP		SCREW 11/64-40 L=14				*		2	
29		SM6061202TP		SCREW M6 L=12				*		1	
30		12124400		STOPPER (L)						2	
31		12215158		LOWER LOOPER ROD ASM., A						1	
32		SS7111810TP		SCREW 11/64-40 L=18				*		2	
33		SS7111410TP		SCREW 11/64-40 L=14				*		2	
34		SS9151210TP		SCREW 15/64-28 L=11.8				*		1	
35		SS9681610TP		SCREW 9/32-28 L=16						1	
36	R	12203816	31251507	FLYWHEEL C						1	1.00
37	R	SS7111810SP	SS7111810TP	SCREW 11/64-40 L=18						3	1.00
38		12124509		STOPPER (R)						2	
39	R	B1211804000	13108600	BALL BEARING B						1	1.00
40	R	11510609	13108303	WASHER						1	1.00
41		WZ2640310KH		WAVED WASHER 26.4X33.9X3.5						1	
42		RO347350100		RUBBER RING						1	
43	R	12107702	13107800	THRUST HOLDER						1	1.00
44		SM4050855SP		SCREW						3	
45	R	12280103	13108501	OIL SHIELD						1	1.00
46	R	11811619	13108402	COOLING FAN						1	1.00

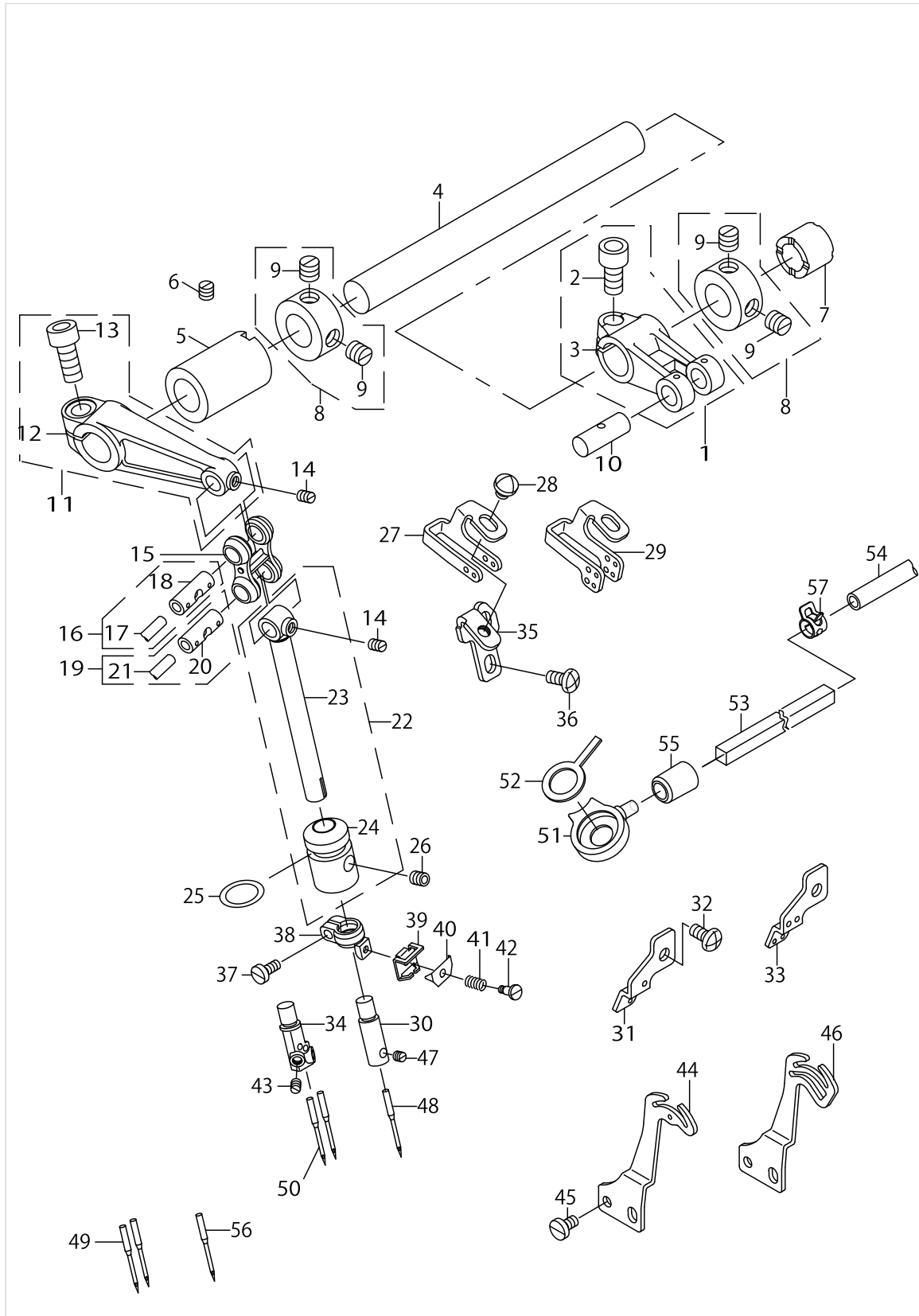
CRANKSHAFT COMPONENTS



CRANKSHAFT COMPONENTS

No.	Supply Code	Parts No.	Replacement	Parts name	Remarks	Choice	Step	Level	Cons	Qty	Rep. QTY
47	R	12107611	13107602	FLYWHEEL A						1	1.00
48	R	SS8151150SP	SS8151150TP	SCREW 15/64-28 L=10.5						2	1.00
49		WP0764016SP		WASHER						1	

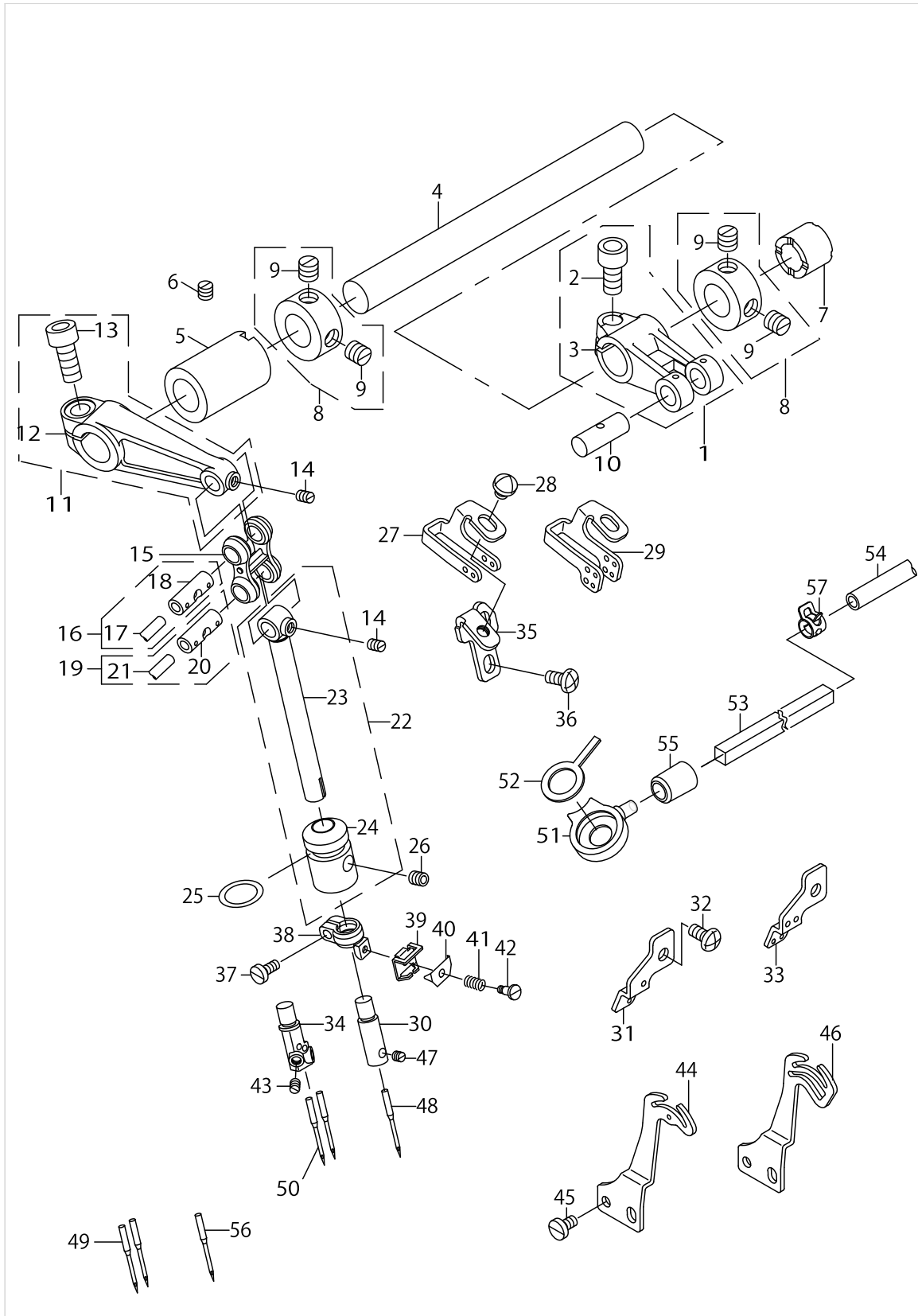
# NEEDLE DRIVING SHAFT COMPONENTS



NEEDLE DRIVING SHAFT COMPONENTS

No.	Supply Code	Parts No.	Replacement	Parts name	Remarks	Choice	Step	Level	Cons	Qty	Rep. QTY
1		12109260		FEED FORKED CRANK ASM.						1	
2		SM6061202TP		SCREW M6 L=12				*		1	
3	R	12109211	12109260	NEEDLE DRIVING FORKED CRANK				*		1	1.00
4	R	12109302	13110606	NEEDLE DRIVING SHAFT						1	1.00
5		12252805		BUSHING,REAR						1	
6		SS8120410SP		SCREW 3/16-28 L=3.8						1	
7	R	12109500	13110101	BUSHING, REAR						1	1.00
8		CS1201010SH		THRUST COLLAR ASM. D=12 W=10						2	
9		SS8660610TP		SCREW 1/4-40 L=6				*		4	
10		11823804		CRANK PIN C	SELECTING PART FOR FIT TOLERANCE					1	
11	D	12109666		NEEDLE DRIVING ARM ASM.						1	
12	R	12109617	12109666	NEEDLE DRIVING ARM				*		1	1.00
13		SM6061402TP		SCREW M6 L=14				*		1	
14		SS8090530TP		SCREW 9/64-40 L=5.0						2	
15		12252904		NEEDLE DRIVING LINK						1	
16	D	12109955		LINK PIN C ASM.	SELECTING PART FOR FIT TOLERANCE					1	
17		CQ252000000		OIL WICK				*		0.1	
18	D	12109906		LINK PIN C	SELECTING PART FOR FIT TOLERANCE			*		1	
19	D	12109955		LINK PIN C ASM.	SELECTING PART FOR FIT TOLERANCE					1	
20	D	12109906		LINK PIN C				*		1	
21		CQ252000000		OIL WICK				*		0.1	
22	D	12372157		NEEDLE HOLDER ASM.						1	
23	D	12110227		NEEDLE HOLDER				*		1	
24	D	12372108		NEEDLE HOLDER METAL				*		1	
25	D	RO108240100		RUBBER RING						1	
26		SM8040612TP		SCREW M4 L=6						1	
27	D	12111209		NEEDLE THREAD GUIDE	FOR MOC-3904					1	
28		SS4110515SP		SCREW 11/64-40 L=5						1	
29		12111308		THREAD GUIDE, 2-NEEDLE	FOR MOC-3914					1	
30	R	12148607	13175005	NEEDLE CLAMP	FOR MOC-3904					1	1.00
31		12111803		TAKE-UP LEVER GUIDE	FOR MOC-3904					1	
32		SM4040855SP		SCREW						1	
33		12111902		TAKE-UP LEVER GUIDE, 2-NEEDLE	FOR MOC-3914					1	
34	D	12148706		NEEDLE CLAMP, 2-NEEDLE	FOR MOC-3914					1	
35		12112108		NEEDLE THREAD GUIDE STAND						1	
36		SM4040855SP		SCREW						2	
37		SS6080720SP		SCREW						1	
38	R	12280608	13110259	NEEDLE CLAMP HOLDER						1	1.00
39	R	12110607	13110705	NEEDLE THREAD PRESSER GUIDE, A						1	1.00
40	R	12110904	13111000	NEEDLE THREAD PRESSER PLATE						1	1.00
41	D	12110805		NEEDLE THREAD PRESSER SPRING						1	

NEEDLE DRIVING SHAFT COMPONENTS

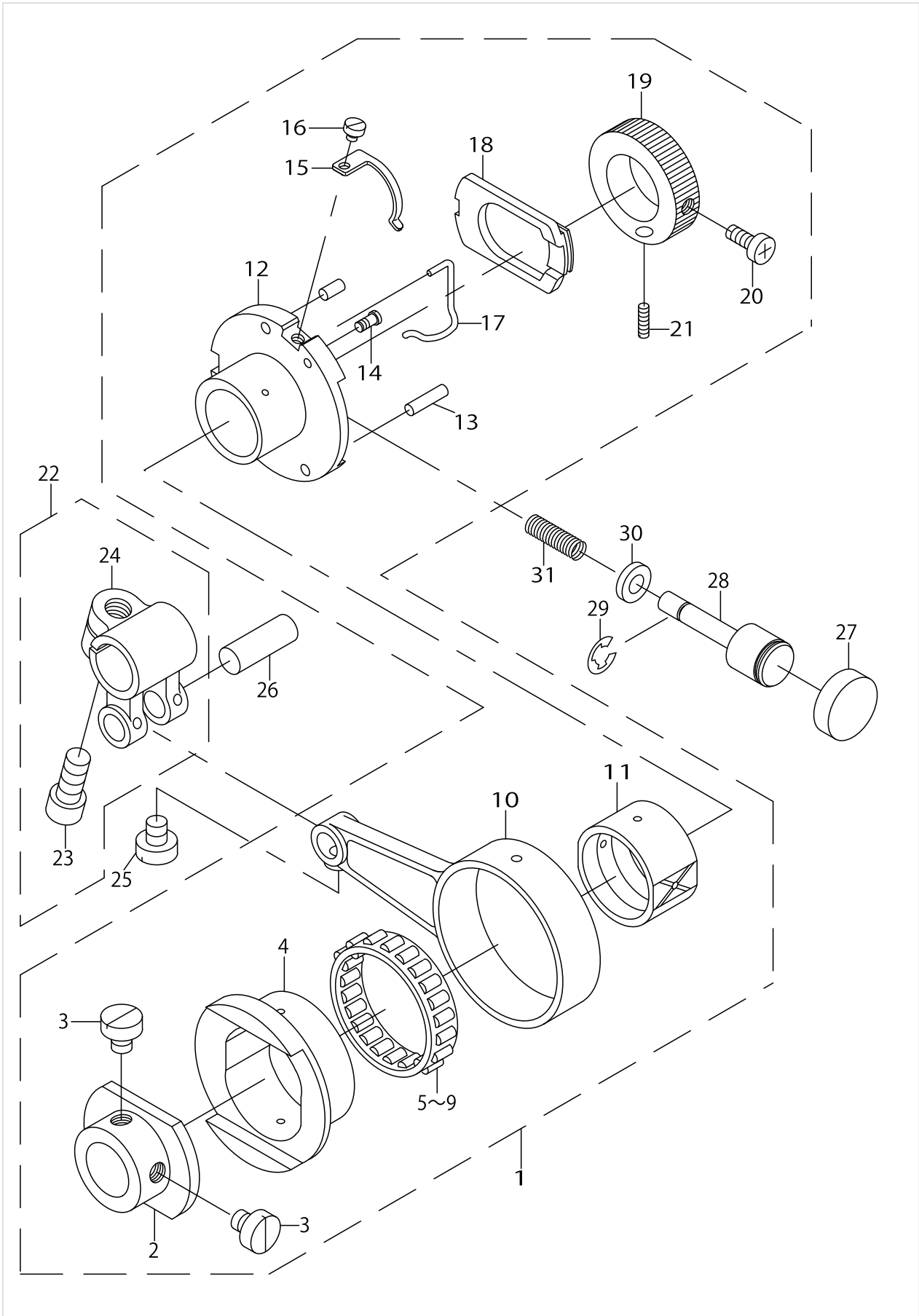


NEEDLE DRIVING SHAFT COMPONENTS

No.	Supply Code	Parts No.	Replacement	Parts name	Remarks	Choice	Step	Level	Cons	Qty	Rep. QTY
42		SD0280401SL		HINGE SCREW D=2.8 H=4						1	
43		SS8080310TP		SCREW 1/8-44 L=2.8	FOR MOC-3914					2	
44	R	12111506	13111208	NEEDLE THREAD TAKE-UP LEVER	FOR MOC-3904					1	1.00
45		SS6090670TP		SCREW 9/64-40 L=6						2	
46	R	12111605	13111307	TAKE-UP LEVER, 2-NEEDLE	FOR MOC-3914					1	1.00
47		SS8080310TP		SCREW 1/8-44 L=2.8	FOR MOC-3904					1	
48		MDC270B1100		NEEDLE DCX27 #11	FOR MOC-3904					1	
49	D	MC033600750		NEEDLE B-27 NM75	FOR JE(MOC-3914)					2	
50		MDC270B1100		NEEDLE DCX27 #11	FOR MOC-3914					2	
51	D	12112207		COVER						1	
52	D	12112306		FELT A						1	
53	D	12253308		FELT B						1	
54		BT0600402EA		OIL TUBE						.1	
55	D	TA0951301R0		RUBBER PLUG						1	
56	D	MC033600750		NEEDLE B-27 NM75	FOR JE(MOC-3904)					1	
57		12256004		OIL TUBE HOLDER						1	



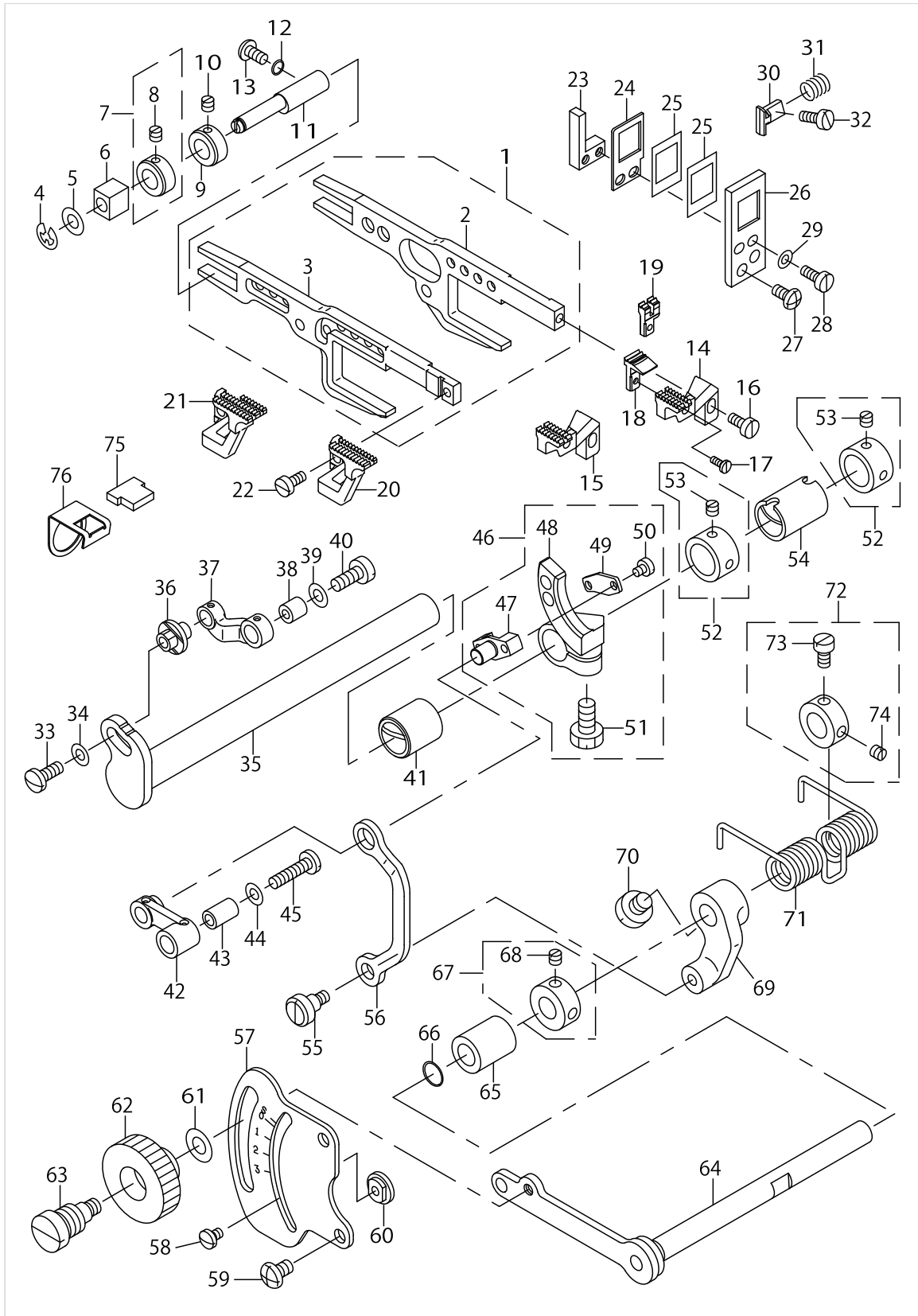
FEED MECHANISM COMPONENTS(1)



FEED MECHANISM COMPONENTS(1)

No.	Supply Code	Parts No.	Replacement	Parts name	Remarks	Choice	Step	Level	Cons	Qty	Rep. QTY
1		12208161		FEED ECCENTRICE BODY ASM.						1	
2		12208104		FEED ECCENTRIC BODY				*		1	
3		SS6660710TP		SCREW 1/4-40 L=7				*		2	
4		12208203		FEED CAM				*		1	
5		SB33500020A		BEARING	SELECTIVE PART			*		1	
6		SB33500020B		BEARING	SELECTIVE PART			*		1	
7		SB33500020C		BEARING	SELECTIVE PART			*		1	
8		SB33500020D		BEARING	SELECTIVE PART			*		1	
9		SB33500020E		BEARING	SELECTIVE PART			*		1	
10		12208906		CRANK ROD				*		1	
11		12208302		SLIDE BLOCK				*		1	
12		12208401		FEED ADJUSTING CAM				*		1	
13		PS0300132KH		SPRING PIN 3X13				*		2	
14		SD0260271SP		HINGE SCREW D= 2.60 H= 2.7				*		1	
15		12208807		RATCHET GEAR SPRING				*		1	
16		SS6080340SP		SCREW 1/8-44 L=2.9				*		1	
17		12208609		RATCHET PAWL SPRING				*		1	
18		12208500		RATCHET PAWL				*		1	
19		12208708		RATCHET GEAR				*		1	
20		SS6111110SP		SCREW 11/64-40 L=11.0				*		1	
21		SS8110520TP		SCREW 11/64-40 L= 4.5				*		1	
22		12209052		FORKEND CRANK ASM.						1	
23		SM6061202TP		SCREW M6 L=12				*		1	
24		12209003		FORKEND CRANK				*		1	
25		SS7110910TP		SCREW 11/64-40 L= 8.5						1	
26		11823804		CRANK PIN C	SELECTIVE PART					1	
27		12211801		PUSH BOTTON CAP						1	
28	R	12211702	31256605	PUSH BOTTON STUD						1	1.00
29		RE0320000K0		E-RING 3.2						1	
30		12118600		OIL SHEET						1	
31	R	B1652704000	31256803	SPRING						1	1.00

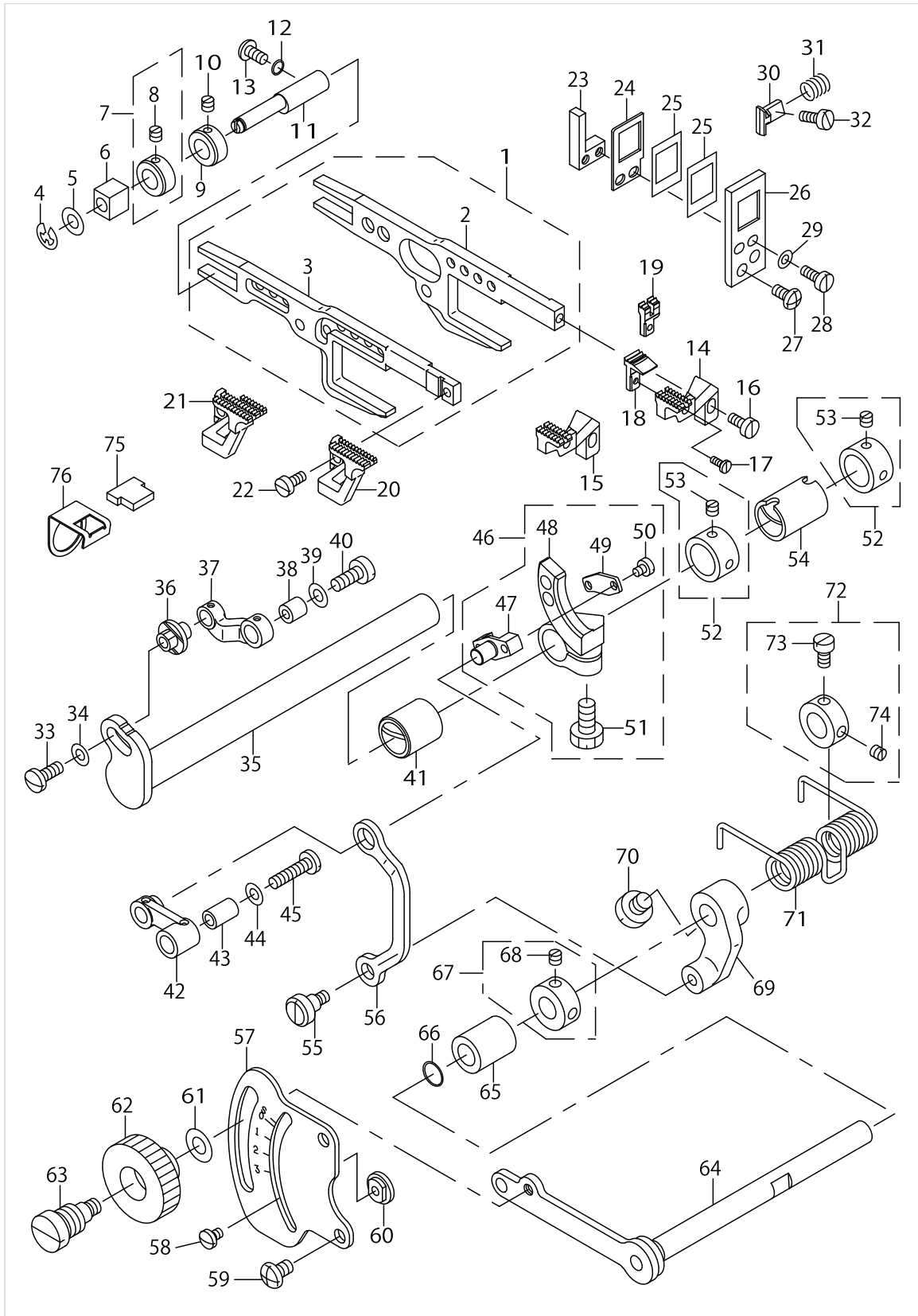
FEED MECHANISM COMPONENTS(2)



FEED MECHANISM COMPONENTS(2)

No.	Supply Code	Parts No.	Replacement	Parts name	Remarks	Choice	Step	Level	Cons	Qty	Rep. QTY
1	R	12209953	13285051	MAIN FEED BAR ASM.						1	1.00
2	R	12209904	13285051	MAIN FEED BAR				*		1	1.00
3		12210001		DIFFERENTIAL FEED BAR				*		1	
4		RE0400000K0		E-RING 4						1	
5		11529914		WASHER						1	
6		12210308		SLIDE BLOCK						1	
7	D	11828050		COLLAR ASM.						1	
8		SS8110410TP		SCREW 11/64-40 L= 3.5				*		1	
9	R	CS0790731SH	CS079073ASH	THRUST COLLAR						1	1.00
10		SS8110410TP		SCREW 11/64-40 L= 3.5						1	
11	R	12210209	12210217	FEED BAR SHAFT						1	1.00
12		RO037180100		RUBBER RING						1	
13		SM4040855SP		SCREW						1	
14		12235107		MAIN FEED DOG	FOR MOC-3904					1	
15		12235206		MAIN FEED DOG	FOR MOC-3914					1	
16		SS6090810TP		SCREW 9/64-40 L=7.5						1	
17		SS7060610SP		SCREW 3/32-56 L=5.5						1	
18		12238101		AUXILIARY FEED DOG						1	
19	D	12238200		AUXILIARY FEED DOG	P05/Q01 E- XCHANGING PARTS					1	
20		12236600		DIFFERENTIAL FEED DOG	FOR MOC-3904					1	
21		12236709		DIFFERENTIAL FEED DOG	FOR MOC-3914					1	
22		SS6090810TP		SCREW 9/64-40 L=7.5						1	
23	R	12210605	13285705	FEED BAR SUPPORT, LEFT						1	1.00
24		12210506		RUBBER SUPPORT						1	
25	R	12118303	70004244	RUBBER						2	1.00
26		12210407		RUBBER CASE						1	
27		SM4040855SP		SCREW						2	
28		SS6090910TP		SCREW 9/64-40 L=9						2	
29		WP0371026SD		WASHER 3.7X7X1						2	
30	D	12210704		FEED BAR SUPPORT, RIGHT						1	
31		12210803		SPRING						1	
32		SS6110820TP		SCREW 11/64-40 L=8						1	
33		SS6111010TP		SCREW 11/64-40 L= 9.5						1	
34		B322877100B		BOBBIN WINDER SPACER						1	
35		12209102		ROCKER SHAFT						1	
36		12209201		MAIN FEED PIN						1	
37		12209300		MAIN FEED LINK						1	
38	D	B1620804000		COLLAR						1	
39	R	B1707155000	31255300	FEED DRIVING SLID- E BLOCK WASHE						1	1.00
40		SS6121220TP		SCREW 3/16-28 L=11.5						1	
41	R	12210902	31255706	BUSHING, FRONT						1	1.00
42		12209805		LINK						1	
43		12209706		COLLAR						1	
44		WP0451026SH		WASHER						1	
45		SS7111810TP		SCREW 11/64-40 L=18						1	

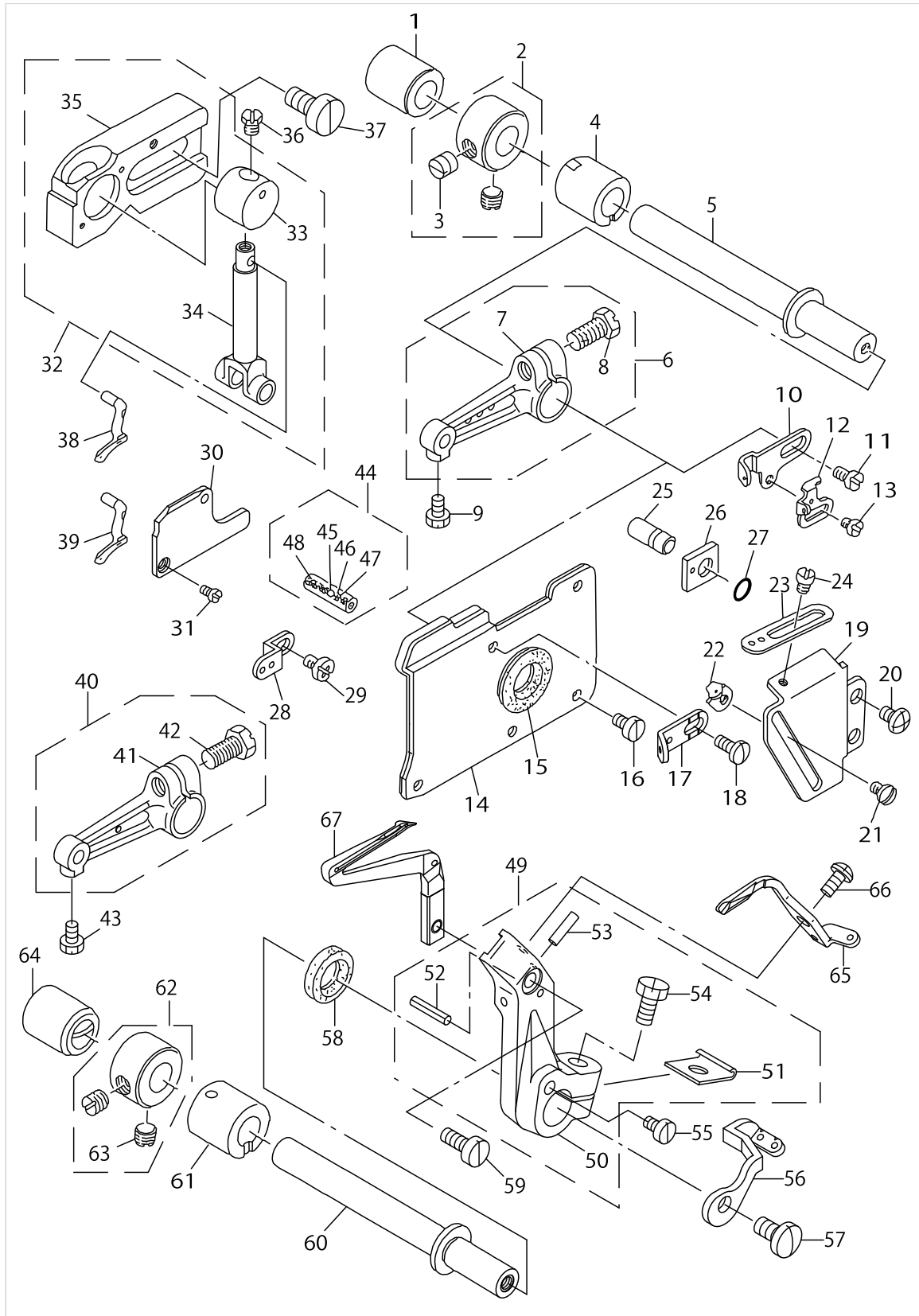
FEED MECHANISM COMPONENTS(2)



FEED MECHANISM COMPONENTS(2)

No.	Supply Code	Parts No.	Replacement	Parts name	Remarks	Choice	Step	Level	Cons	Qty	Rep. QTY
46		12209458		SUB-FEED ARM ASM.						1	
47		12209508		PIN				*		1	
48	R	12209409	12209458	FEED ROCKER				*		1	1.00
49		12209607		PIN COVER				*		1	
50		SS6080410SP		SCREW 1/8-44 L=4				*		2	
51		SS9151210TP		SCREW 15/64-28 L=11.8				*		1	
52		CS120101BSH		THRUST COLLAR ASM.						2	
53		SS8660410SP		SCREW 1/4-40 L= 4.2				*		4	
54	R	12211009	31255805	BUSHING, REAR						1	1.00
55		SD0640321TP		HINGE SCREW D=6.35 H=3.2						1	
56		12211405		LINK						1	
57		12211603		DIFFERENTIAL FEED GRADUATION						1	
58		SS7090540TP		SCREW 9/64-40 L=5						2	
59		SM4050855SP		SCREW						2	
60		11529005		STOPPER						2	
61		WP0621016SD		WASHER 6.2X13X1						1	
62		B1647704000A		DIFFERENTIAL FEED LOCK NUT						1	
63		B1646704000A		DIFFERENTIAL FEED HINGE SCREW						1	
64		12211157		ROCKER SHAFT ASM.						1	
65		12118709		ROCKER SHAFT METAL						1	
66		RO060150100		RUBBER RING						1	
67		CS087081BSH		THRUST COLLAR ASM.						1	
68		SS8110410TP		SCREW 11/64-40 L= 3.5				*		2	
69	D	12211306		DIFFERENTIAL FEED ROCKER						1	
70		SS6660610TP		SCREW 1/4-40 L=6						1	
71	D	12211504		SPRING						1	
72		CS087081CSH		THRUST COLLAR ASM.						1	
73		B1536804000		PIN				*		1	
74		SS8110410TP		SCREW 11/64-40 L= 3.5				*		1	
75		12212106		ONCE THROUGH OIL FELT						1	
76	D	12212007		FELT PRESSER						1	

# UPPER & LOWER LOOPER COMPONENTS

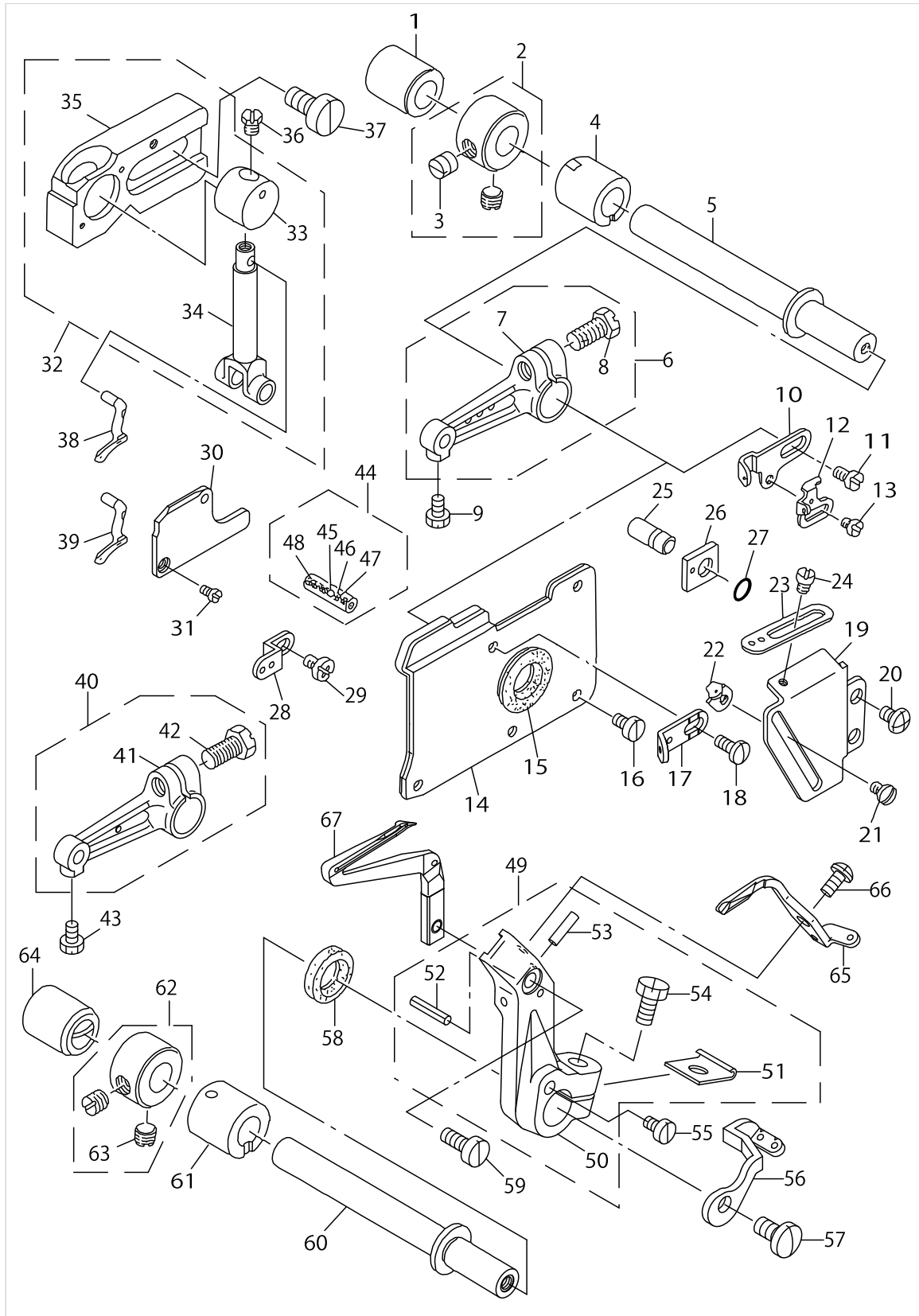


UPPER & LOWER LOOPER COMPONENTS

No.	Supply Code	Parts No.	Replacement	Parts name	Remarks	Choice	Step	Level	Cons	Qty	Rep. QTY
1	D	12122610		BUSHING REAR						1	
2		CS1031210SH		THRUST COLLAR A-SM. D=10.32 W=1						1	
3		SS8660610TP		SCREW 1/4-40 L=6				*		2	
4	R	12122511	13222609	LOOPER SHAFT FRONT BUSHING						1	1.00
5	R	12122404	13221403	UPPER LOOPER SHAFT		A				1	1.00
5	R	12122404	13221601	UPPER LOOPER SHAFT		A				1	1.00
5	R	12122404	13221502	UPPER LOOPER SHAFT		A				1	1.00
6		12214656		UPPER LOOPER ARM D ASM.	FOR MOC-3914					1	
7	R	12214607	12214656	UPPER LOOPER ARM D				*		1	1.00
8		SS9151210TP		SCREW 15/64-28 L=11.8				*		1	
9		SS9090610TP		SCREW 9/64-40 L=5.5						1	
10	D	12124004		THREAD TAKE-UP, RIGHT						1	
11		SS7110840SP		SCREW 11/64-40 L=7.8						1	
12		11833506		LOWER LOOPER TH-READ TAKE-UP						1	
13		SS6080410SP		SCREW 1/8-44 L=4						1	
14		12215554		OIL SHIELD PLATE ASM.						1	
15		B2530704000		UPPER LOOPER SH-AFT RUBBER RING						1	
16	R	SS6090630SP	SS6090630TP	SCREW 9/64-40 L=6						1	1.00
17	R	11833100	12340600	LOOPER THREAD GUIDE						1	1.00
18		SS7090850SP		SCREW 9/64-40 L=8						1	
19	D	12123808		LOOPER THREAD T-AKE-UP COVER						1	
20		SM4040655SP		SCREW M4 L=6						2	
21		SS3090610SP		SCREW 9/64-40 L=6						1	
22	D	11833407		LOWER LOOPER THREAD GUIDE						1	
23	D	12123907		THREAD GUIDE, RIGHT						1	
24		SS3090610SP		SCREW 9/64-40 L=6						1	
25		11831906		PIN						1	
26	R	11831807	13131909	GAUGE						1	1.00
27		RO037180100		RUBBER RING						1	
28		12215703		LOOPER THREAD GUIDE, UPPER						1	
29		SS4090615SP		SCREW 9/64-40 L=6						1	
30		12214805		UPPER LOOPER GUIDE COVER						1	
31		SS7060610SP		SCREW 3/32-56 L=5.5						2	
32	R	12214755	40026017	UPPER LOOPER GUIDE ASM.						1	1.00
33	R	12123204	40015637	UPPER LOOPER GUIDE		A		*		1	1.00
33	R	12123204	40016841	UPPER LOOPER GUIDE		B		*		1	1.00
33	R	12123204	40026017	UPPER LOOPER GUIDE		C		*		1	1.00
34	R	12122909	40015637	UPPER LOOPER HOLDER				*		1	1.00
34	R	12122909	40016841	UPPER LOOPER HOLDER				*		1	1.00
34	R	12122909	40026017	UPPER LOOPER HOLDER				*		1	1.00
35	R	12214706	40026017	UPPER LOOPER GUIDE SUPPORT				*		1	1.00
35	R	12214706	40026017	UPPER LOOPER GUIDE SUPPORT				*		1	1.00



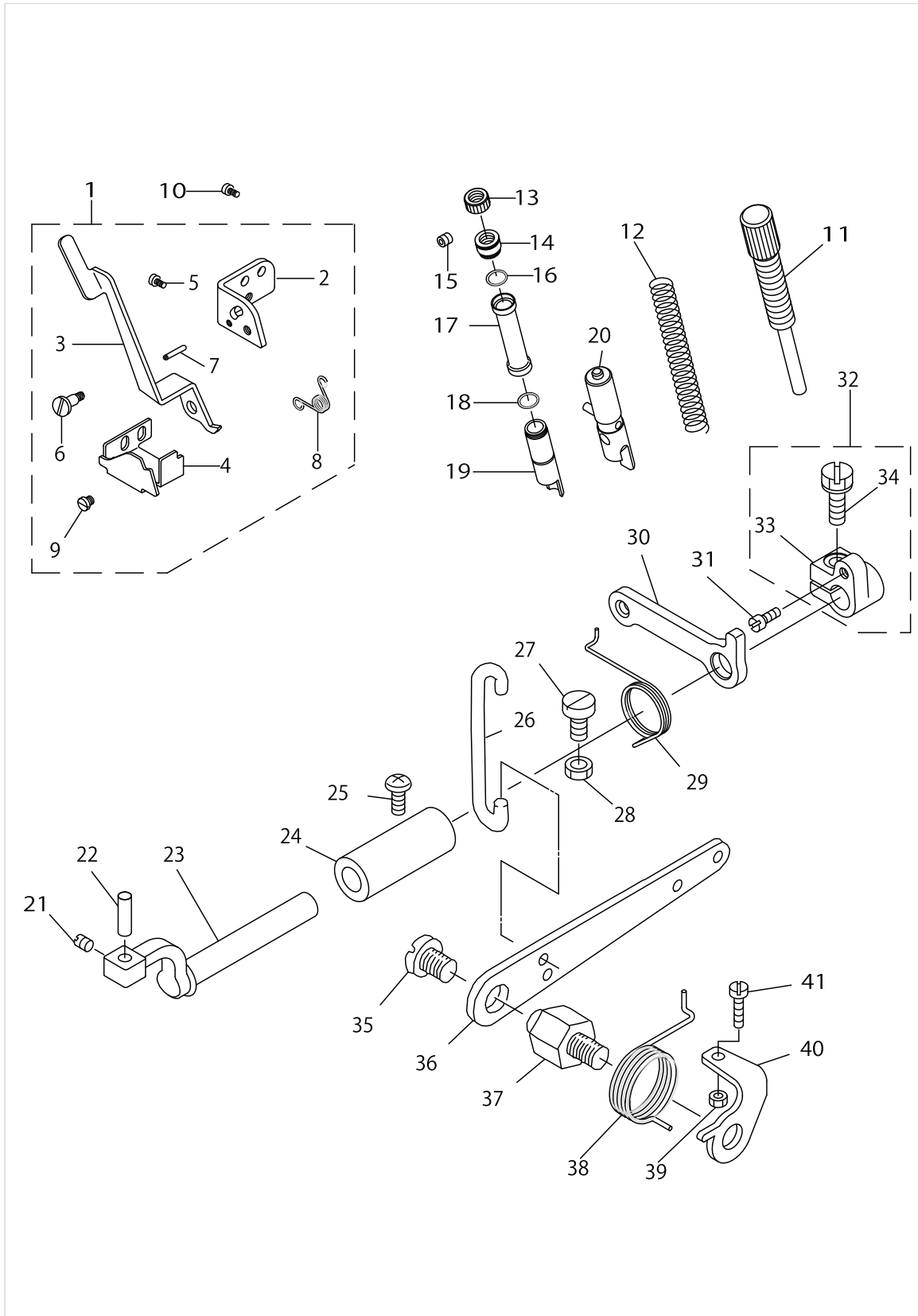
# UPPER & LOWER LOOPER COMPONENTS



UPPER & LOWER LOOPER COMPONENTS

No.	Supply Code	Parts No.	Replacement	Parts name	Remarks	Choice	Step	Level	Cons	Qty	Rep. QTY
36		SS9090410TP		SCREW						1	
37		SM6061200SP		SCREW						2	
38		12247300		UPPER LOOPER	FOR MOC-- 3904,MOC-- 3914 (NEE-- DLE #9,#11,#14)					1	
39		12247102		UPPER LOOPER	FOR MOC-- 3904,MOC-- 3914 (NEE-- DLE #14,#16,#18)					1	
40	R	12122859	12284550	UPPER LOOPER ARM B ASM.	FOR MOC-3904					1	1.00
41	R	12122800	12284550	UPPER LOOPER ARM B				*		1	1.00
42		SS9151210TP		SCREW 15/64-28 L=11.8				*		1	
43		SS9090610TP		SCREW 9/64-40 L=5.5						1	
44	D	11831757		PIN ASM.	SELECTING PART FOR FIT TOLERANCE					1	
45	R	11831708	13131701	OIL WICK STOPPER BALL				*		1	1.00
46		CQ202000000		OIL WICK				*		0.1	
47		CQ200000000		OIL WICK				*		0.1	
48	D	11517000		PIN C	SELECTING PART FOR FIT TOLERANCE			*		1	
49		12215356		LOWER LOOPER ARM ASM.						1	
50		12215307		LOWER LOOPER ARM				*		1	
51	R	B2531704000	13129309	WASHER				*		1	1.00
52		PS0200062KH		SPRING PIN 2X6				*		1	
53		13508700		HOOK COVER PRE-- SSER SPRING PIN				*		1	
54		SS9151210TP		SCREW 15/64-28 L=11.8				*		1	
55		SS6090630TP		SCREW 9/64-40 L=6						1	
56	D	12215604		LOOPER THREAD TAKE-UP,LEFT						1	
57		SS6111140SP		SCREW 11/64-40L=11						1	
58		12215406		OIL SEAL						1	
59		SS6090910TP		SCREW 9/64-40 L=9						1	
60		12215208		LOWER LOOPER SHAFT						1	
61	D	12214904		LOWER LOOPER BUSHING,FRONT						1	
62		CS1031210SH		THRUST COLLAR A-- SM. D=10.32 W=1						1	
63		SS8660610TP		SCREW 1/4-40 L=6				*		2	
64	D	12215000		LOWER LOOPER BUSHING,REAR						1	
65		12240602		NEEDLE GUARD						1	
66	R	SS4080610SP	SS4080620TP	SCREW 1/8-44 L=6.4						1	1.00
67		12240107		LOWER LOOPER						1	

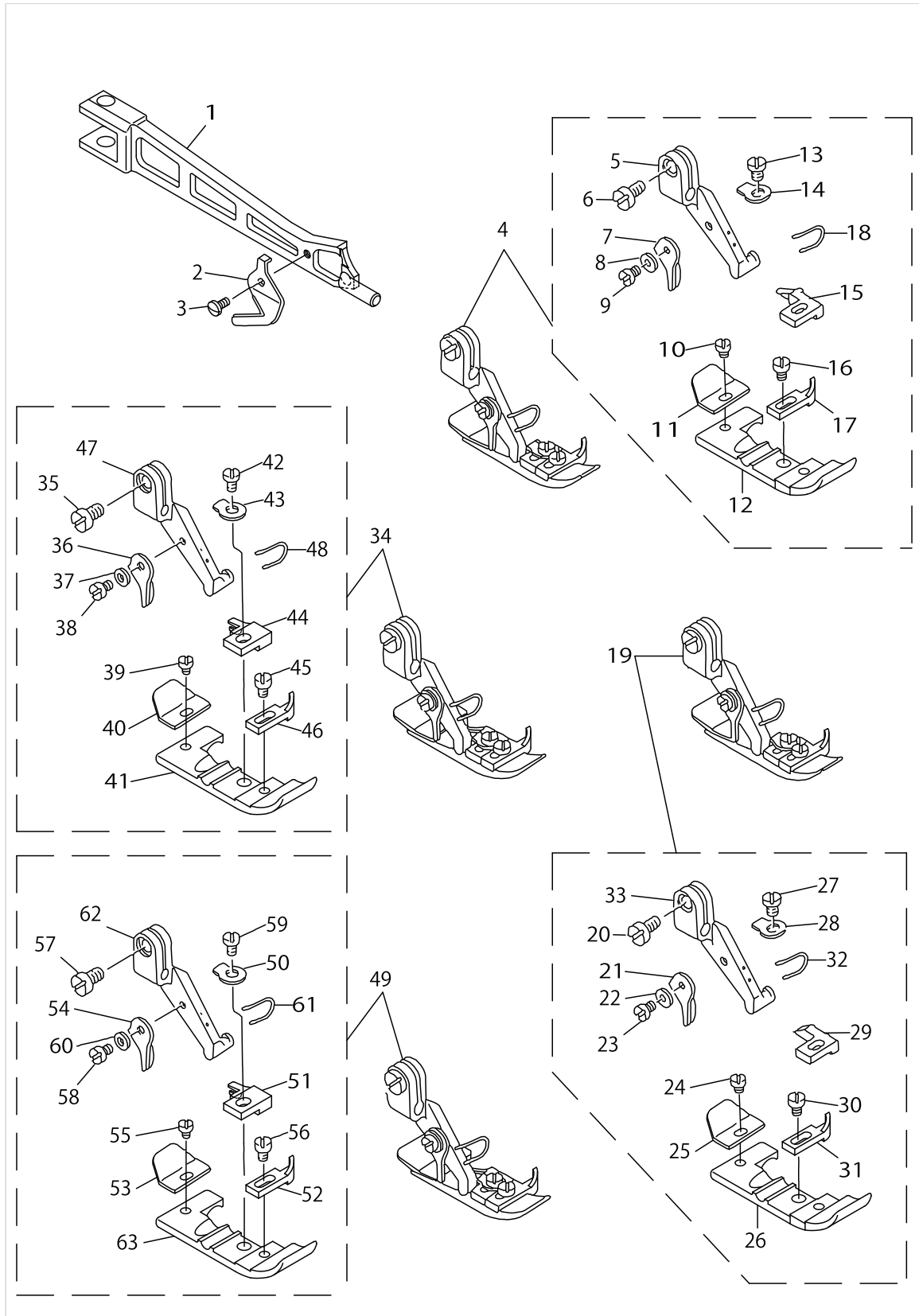
PRESSER FOOT COMPONENTS(1)



PRESSER FOOT COMPONENTS(1)

No.	Supply Code	Parts No.	Replacement	Parts name	Remarks	Choice	Step	Level	Cons	Qty	Rep. QTY
1	R	12115051	13115753	FOOT LIFTING LEV- ER STAND ASM.						1	1.00
2	R	12115002	13115803	FOOT LIFTING LEVER STAND				*		1	1.00
3	R	12115101	13115654	PRESSER FOOT LIFTING LEVER		A		*		1	1.00
3	R	12115101	13115902	PRESSER FOOT LIFTING LEVER				*		1	1.00
4	R	12115200	13116009	STOPPER				*		1	1.00
5		SS7110510SP		SCREW 11/64-40 L=5				*		2	
6		SD0640241SP		HINGE SCREW D= 6.35 H= 2.4				*		1	
7		PS0300142KH		SPRING PIN 0.3 X 14				*		1	
8	D	12115309		SPRING				*		1	
9		SS6080340SP		SCREW 1/8-44 L=2.9				*		1	
10		SS4110715SP		SCREW 11/64-40 L=7						2	
11		12114716		PRESSER REGULATOR SCREW						1	
12		12115903		PRESSER SPRING						1	
13		12114807		PRESSER REGULATOR NUT						1	
14	R	12114609	12288700	PRESSER REGULAT- OR SCREW WASHER						1	1.00
15		SM8040402TP		SCREW M4X0.7 L=4						1	
16		RO110090100		RUBBER RING						1	
17		12114906		PRESSERBARCOVER						1	
18		RO110090100		RUBBER RING						2	
19	R	12114302	13212501	PRESSER BAR BUSHING						1	1.00
20	R	12114468	13115654	PRESSER BAR ASM.						1	1.00
21		SS8110520TP		SCREW 11/64-40 L= 4.5						1	
22		B1534804000		PRESSER FOOT AR- M HINGE SHAFT						1	
23	R	12113205	13115001	PRESSER FOOT SHAFT						1	1.00
24	D	12113304		BUSHING						1	
25		SS4121215SP		SCREW 3/16-28 L=12						1	
26	R	11819414	13116405	LIFTING HOOK						1	1.00
27		SM6061200SP		SCREW						1	
28		NM6060003SC		NUT M6						1	
29		11819703		PRESSER FOOT ARM SPRING						1	
30		12113502		LIFTING ARM						1	
31		SS6110710TP		SCREW 11/64-40 L= 6.5						1	
32	R	12113452	12113403	PRESSER FOOT SH- AFT THRUST ASM.						1	1.00
33	D	12113403		LIFTING ARM				*		1	
34		SS9151210TP		SCREW 15/64-28 L=11.8				*		1	
35		SS7161040SP		SCREW 1/4-24 L= 9.5						1	
36	R	11819315	13116900	LIFTING LEVER						1	1.00
37		11819109		LIFTING LEVER SCREW						1	
38		12206702		LIFTING LEVER SPRING						1	
39		NS6110420SP		NUT 11/64-40						1	
40		12206603		LEVER STOPPER						1	
41	R	SS7111410SP	SS7111410TP	SCREW 11/64-40 L=14						1	1.00

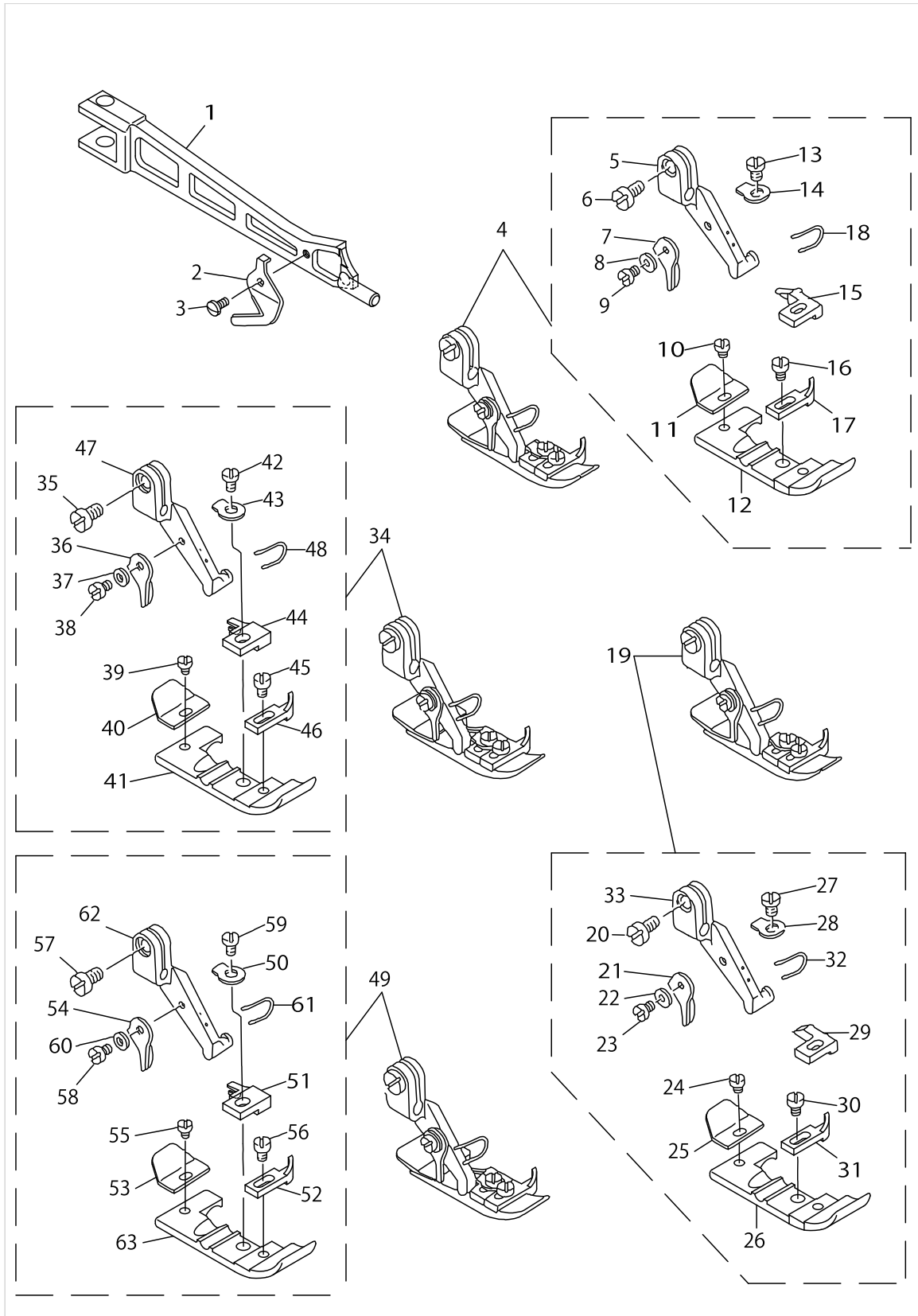
PRESSER FOOT COMPONENTS(2)



PRESSER FOOT COMPONENTS(2)

No.	Supply Code	Parts No.	Replacement	Parts name	Remarks	Choice	Step	Level	Cons	Qty	Rep. QTY
1	R	12253811	12253829	PRESSER FOOT ARM						1	1.00
2		B1528804000A		THREAD TRIMMER						1	
3		SS6060440TP		SCREW 3/32-56 L=3.5						1	
4		12230769		PRESSER FOOT ASM.	FOR MOC-- 3904(FOR JAPAN)					1	
5		11872009		PRESSER FOOT HINGE				*		1	
6	R	SS6090650SP	SS6090670TP	SCREW 9/64-40 L=6				*		1	1.00
7		B1530804000		STOPPER				*		1	
8		WP0250516SD		WASHER 2.5X6X0.5				*		1	
9		SS7060610SP		SCREW 3/32-56 L=5.5				*		1	
10		SS6060210SP		SCREW 3/32-56 L=1.9				*		1	
11		B1511814000		REARPRESSERFOOT				*		1	
12		12232104		PRESSER FOOT				*		1	
13		SS7080520SP		SCREW 1/8-44 L=4.9				*		1	
14		B150880400B		SPRING				*		1	
15		11874609		STITCH TONGUE				*		1	
16		SS6060440TP		SCREW 3/32-56 L=3.5				*		1	
17		B1510814000		CURL GUARD				*		1	
18		11820701		FINGER GUARD				*		1	
19		12230165		PRESSER ASM.	FOR MOC-- 3904(FOR EXPORT)					1	
20	R	SS6090650SP	SS6090670TP	SCREW 9/64-40 L=6				*		1	1.00
21		B1530804000		STOPPER				*		1	
22		WP0250516SD		WASHER 2.5X6X0.5				*		1	
23		SS7060610SP		SCREW 3/32-56 L=5.5				*		1	
24		SS6060210SP		SCREW 3/32-56 L=1.9				*		1	
25		B1511814000		REARPRESSERFOOT				*		1	
26		12232104		PRESSER FOOT				*		1	
27		SS7080520SP		SCREW 1/8-44 L=4.9				*		1	
28		B150880400B		SPRING				*		1	
29		B1509804C00		STITCH TONGUE				*		1	
30		SS6060440TP		SCREW 3/32-56 L=3.5				*		1	
31		B1510814000		CURL GUARD				*		1	
32		11820701		FINGER GUARD				*		1	
33		11872009		PRESSER FOOT HINGE				*		1	
34	R	12230355	12230363	PRESSER FOOT ASM.	FOR MOC-- 3914(FOR JAPAN)					1	1.00
35	R	SS6090650SP	SS6090670TP	SCREW 9/64-40 L=6				*		1	1.00
36		B1530804000		STOPPER				*		1	
37		WP0250516SD		WASHER 2.5X6X0.5				*		1	
38		SS7060610SP		SCREW 3/32-56 L=5.5				*		1	
39		SS6060210SP		SCREW 3/32-56 L=1.9				*		1	
40		B1511814000		REARPRESSERFOOT				*		1	
41		12232104		PRESSER FOOT				*		1	
42		SS7080520SP		SCREW 1/8-44 L=4.9				*		1	
43		B150880400B		SPRING				*		1	
44		12160008		STITCH TONGUE				*		1	
45		SS6060440TP		SCREW 3/32-56 L=3.5				*		1	

PRESSER FOOT COMPONENTS(2)

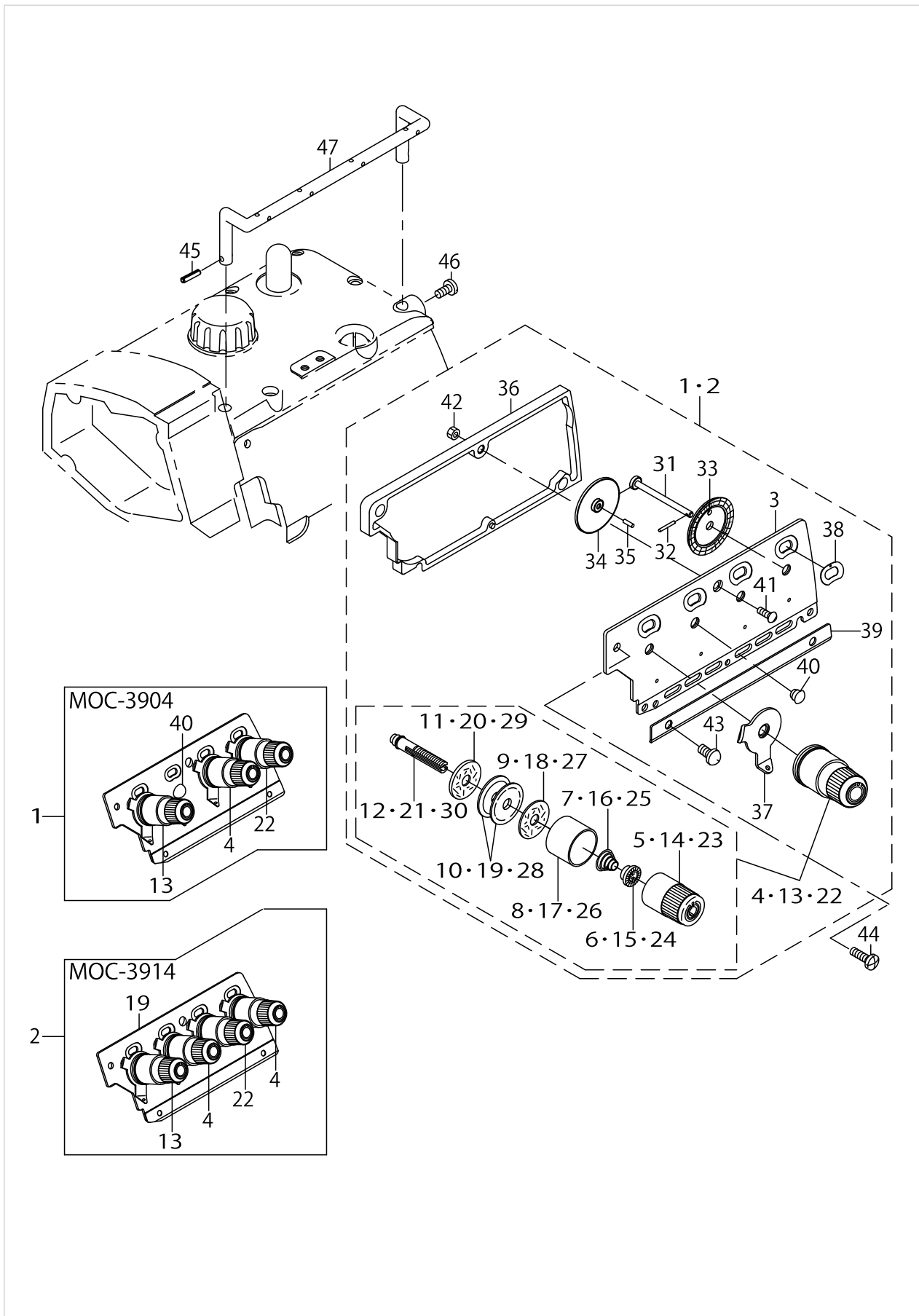


PRESSER FOOT COMPONENTS(2)

No.	Supply Code	Parts No.	Replacement	Parts name	Remarks	Choice	Step	Level	Cons	Qty	Rep. QTY
46		B1510814000		CURL GUARD				*		1	
47		11872009		PRESSER FOOT HINGE				*		1	
48		11820701		FINGER GUARD				*		1	
49		12230264		PRESSER ASM.	FOR MOC-- 3914(FOR EXPORT)					1	
50		B150880400B		SPRING				*		1	
51		B150981400P		STITCH TONGUE				*		1	
52		B1510814000		CURL GUARD				*		1	
53		B1511814000		REARPRESSERFOOT				*		1	
54		B1530804000		STOPPER				*		1	
55		SS6060210SP		SCREW 3/32-56 L=1.9				*		1	
56		SS6060440TP		SCREW 3/32-56 L=3.5				*		1	
57	R	SS6090650SP	SS6090670TP	SCREW 9/64-40 L=6				*		1	1.00
58		SS7060610SP		SCREW 3/32-56 L=5.5				*		1	
59		SS7080520SP		SCREW 1/8-44 L=4.9				*		1	
60		WP0250516SD		WASHER 2.5X6X0.5				*		1	
61		11820701		FINGER GUARD				*		1	
62		11872009		PRESSER FOOT HINGE				*		1	
63		12232104		PRESSER FOOT				*		1	



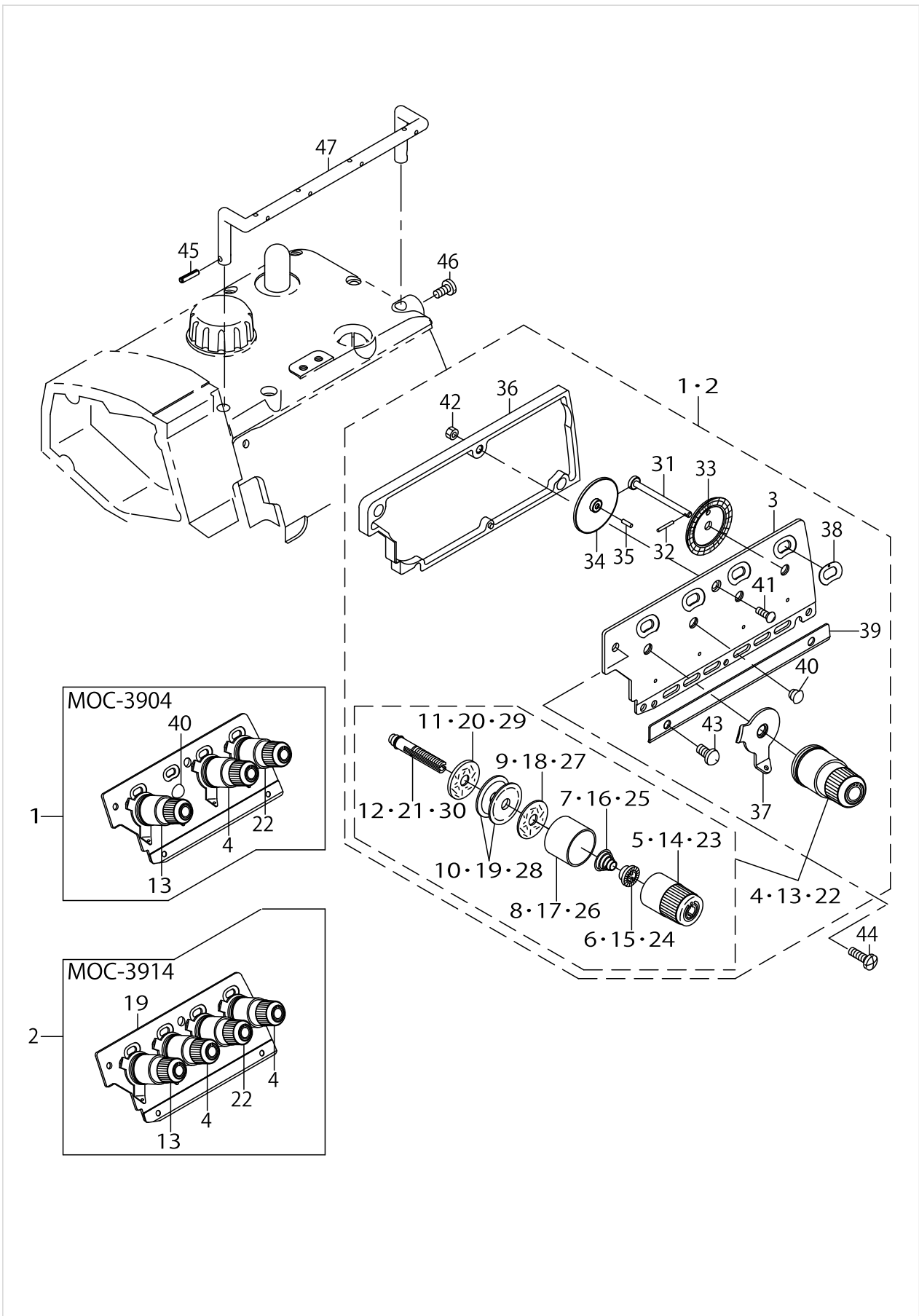
THREAD TENSION COMPONENTS



THREAD TENSION COMPONENTS

No.	Supply Code	Parts No.	Replacement	Parts name	Remarks	Choice	Step	Level	Cons	Qty	Rep. QTY
1	D	12180162		THREAD GUIDE PLATE ASM.	FOR MOC-3904					1	
2		12180659		THREAD GUIDE PLATE ASM.	FOR MOC-3914					1	
3		12126207		THREAD GUIDE PLATE				*		1	
4	D	12126967		KNOB ASM.,YELLOW				*		2	
5	D	12126918		KNOB ,YELLOW				*		1	
6		B3112704000		TENSION SPRING BUSHING				*		1	
7		B3102804000		TENSION SPRING, YELLOW				*		1	
8		12126702		TESION DISK PRESSER				*		1	
9	R	B3120704000	13138102	THREAD TENSION SPRING FELT				*		1	1.00
10	R	B3126012000	22921506	THREAD TENSION DISK				*		2	1.00
11	R	B3120352000	13139902	THREAD TENSION SPRING FELT				*		1	1.00
12	D	12126405		THREAD TENSION BAR				*		1	
13	D	12126868		KNOB ASM.,RED				*		1	
14	D	12126819		KNOB ,RED				*		1	
15		B3112704000		TENSION SPRING BUSHING				*		1	
16		B3101804000		TENSION SPRING, RED				*		1	
17		12126702		TESION DISK PRESSER				*		1	
18	R	B3120704000	13138102	THREAD TENSION SPRING FELT				*		1	1.00
19	R	B3126012000	22921506	THREAD TENSION DISK				*		2	1.00
20	R	B3120352000	13139902	THREAD TENSION SPRING FELT				*		1	1.00
21	D	12126405		THREAD TENSION BAR				*		1	
22	D	12127064		KNOB ASM.,BLUE				*		1	
23	D	12127015		KNOB ,BLUE				*		1	
24		B3112704000		TENSION SPRING BUSHING				*		1	
25		B3103804000		TENSION SPRING, BLUE				*		1	
26		12126702		TESION DISK PRESSER				*		1	
27	R	B3120704000	13138102	THREAD TENSION SPRING FELT				*		1	1.00
28	R	B3126012000	22921506	THREAD TENSION DISK				*		2	1.00
29	R	B3120352000	13139902	THREAD TENSION SPRING FELT				*		1	1.00
30	D	12126405		THREAD TENSION BAR				*		1	
31		12127403		SCALE SHAFT				*		1	
32		12127502		SCALE SHAFT PIN				*		1	
33		12127601		SCALE GEAR				*		1	
34	D	12127700		GEAR				*		1	
35		12127809		GEAR SHAFT				*		1	
36		12127957		SCALE CASE ASM.				*		1	
37		12126504		NEEDLE THREAD GUIDE				*		1	
38		12128203		SCALE SIDE PLATE				*		1	
39		12128302		THREAD LOOPER GUIDE				*		1	
40		TA0620504R0		CAP	FOR MOC-3904			*		1	
41	D	SS2090830SL		SCREW				*		1	
42		NS6090310SP		NUT 9/64-40				*		1	
43		SS7110740TL		SCREW 11/64-40 L= 7.0				*		1	
44		SM4041455SN		SCREW M4 L=14				*		2	
45		PS0300132KH		SPRING PIN 3X13				*		1	
46		SS7110910TP		SCREW 11/64-40 L= 8.5				*		1	

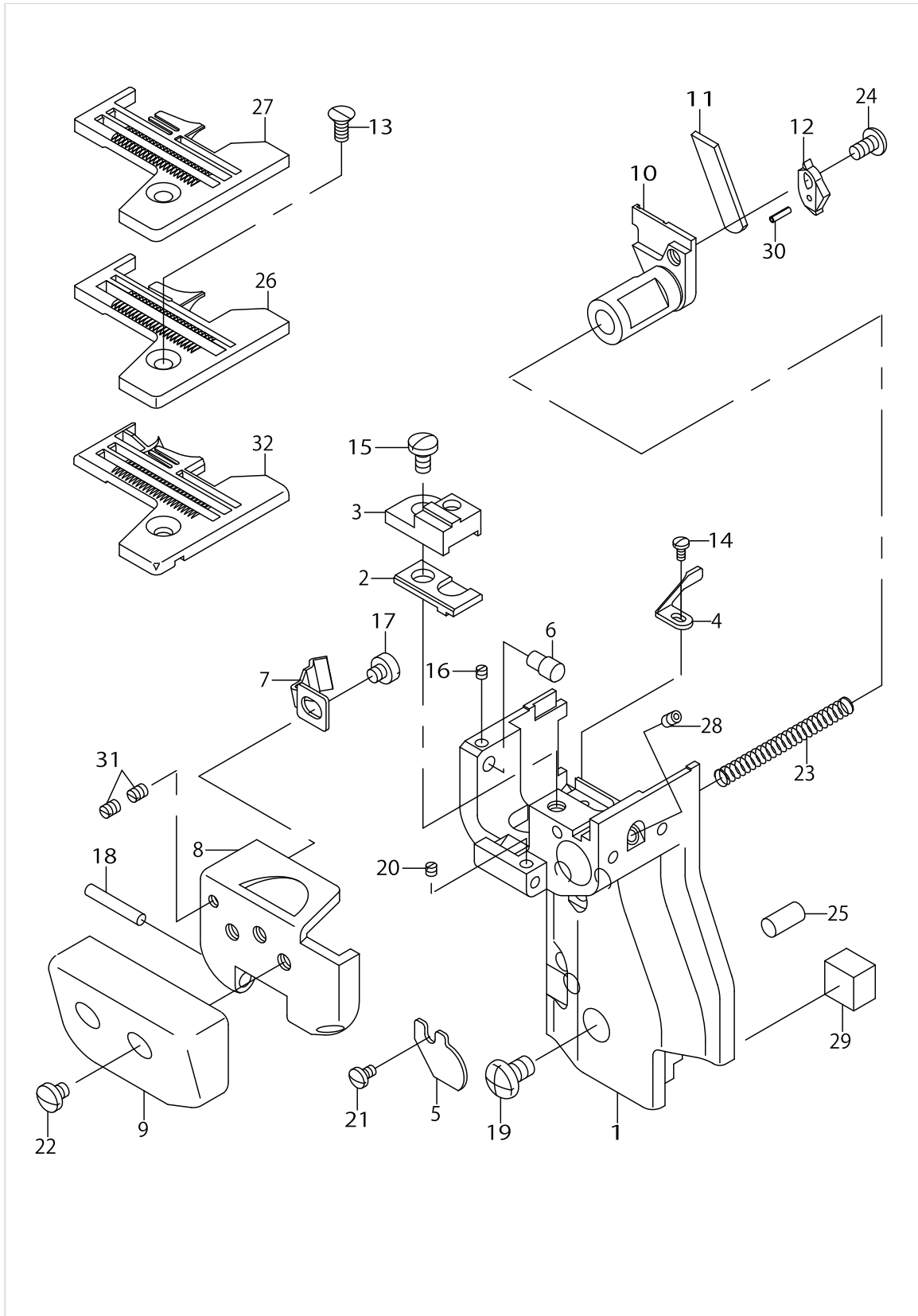
THREAD TENSION COMPONENTS



THREAD TENSION COMPONENTS

No.	Supply Code	Parts No.	Replacement	Parts name	Remarks	Choice	Step	Level	Cons	Qty	Rep. QTY
47		12126108		CENTER THREAD GUIDE						1	

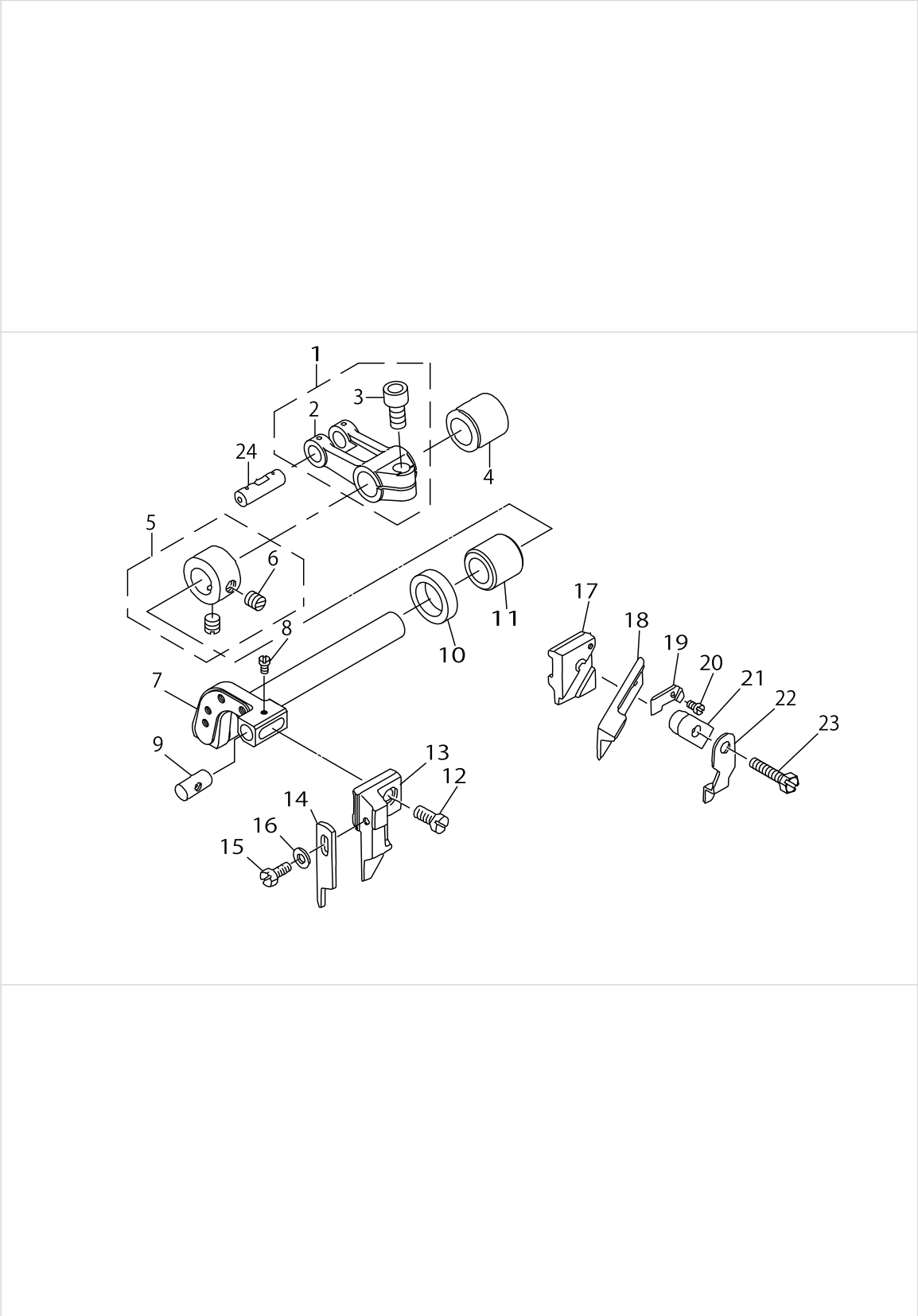
# LOWER KNIFE COMPONENTS



LOWER KNIFE COMPONENTS

No.	Supply Code	Parts No.	Replacement	Parts name	Remarks	Choice	Step	Level	Cons	Qty	Rep. QTY
1		12219101		CYLINDER BRACKET						1	
2		12219903		THRORT PLATE BASE, LOWER						1	
3		12219804		THRORT PLATE BASE, UPPER						1	
4		12240701		NEEDLE GUARD						1	
5	R	12220109	31261100	SPRING STOPPER						1	1.00
6	R	12219606	31260607	PIN						1	1.00
7		12219507		SPRING						1	
8		12219200		COVER BASE						1	
9	R	12219358	31260359	CYLINDER COVER ASM.						1	1.00
10	R	12220000	31261001	LOWER KNIFE SLIDE STUD						1	1.00
11		12220307		LOWER KNIFE						1	
12		12220208		LOWER KNIFE PRESSER PRATE						1	
13		SS2110910SL		SCREW 11/64-40 L=9						1	
14		SS7060510SP		SCREW 3/32-56 L=4.8						1	
15		SS7110840SP		SCREW 11/64-40 L=7.8						1	
16		SS8080310TP		SCREW 1/8-44 L=2.8						1	
17		SS6110480SP		SCREW 11/64-40 L=4.3						1	
18		11111705		WIPER SOLENOID PIN						1	
19		SM4050855SP		SCREW						3	
20		SS8080310TP		SCREW 1/8-44 L=2.8						1	
21		SS7080520SP		SCREW 1/8-44 L=4.9						1	
22		SS7110510SP		SCREW 11/64-40 L=5						2	
23	R	12220505	31261209	SPRING						1	1.00
24		SS4110815SP		SCREW 11/64-40 L=8						1	
25		12219705		PIN						2	
26		R4200K0ED00		THROAT PLATE	FOR MOC-3904					1	
27	R	R4305K0EE00	R4305K6EE00	THROAT PLATE	FOR MOC-3914					1	1.00
28		SS8110422TP		SCREW 11/64-40 L=4						1	
29		12220604		BRACKET						1	
30		PS0150065KP		SPRING PIN 1.5X6						1	
31		SS8080410TP		SCREW 1/8-44 L=3.5						2	
32	D	R4305K0EE0A		THROAT PLATE	P05/Q01 E- XCHAGING PARTS					1	

UPPER KNIFE COMPONENTS

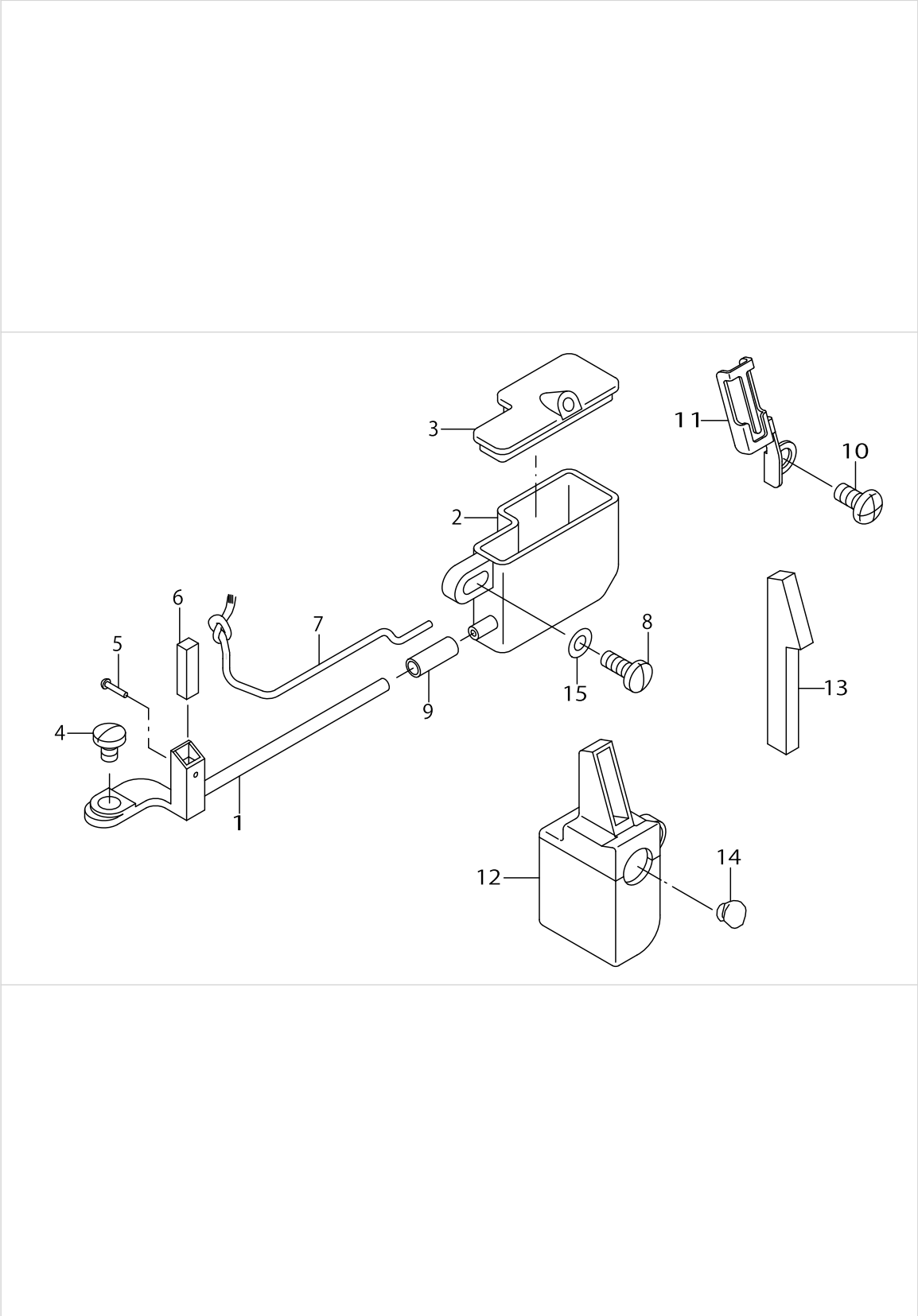


UPPER KNIFE COMPONENTS

No.	Supply Code	Parts No.	Replacement	Parts name	Remarks	Choice	Step	Level	Cons	Qty	Rep. QTY
1		12132262		FEED FORKED ARM ASM.						1	
2	D	12132213		UPPER KNIFE FORK ARM				*		1	
3		SM6061202TP		SCREW M6 L=12				*		1	
4	R	12132502	13151006	BUSHING, REAR						1	1.00
5		CS111101ESH		COLLAR ASM. D=11.11 W=10						1	
6		SS8660330SP		SCREW 1/4-40 L= 3.0				*		2	
7	R	12132304	13151303	KNIFE DRIVING ARM SHAFT						1	1.00
8		SS4060310SP		SCREW 3/32-56 L=2.5	MOC-3904,- MOC-3914- (FOR EXPORT)					1	
9	R	11565801	13150800	UPPER KNIFE GUIDE SHAFT						1	1.00
10		11566809		OIL SEAL						1	
11	R	12132403	13150909	BUSHING, FRONT						1	1.00
12		SS6111040SP		SCREW 11/64-40 L= 9.5	MOC-3904,- MOC-3914- (FOR JAPAN)					1	
13	R	12133302	13147400	UPPER KNIFE SUPPORT A	MOC-3904,- MOC-3914- (FOR JAPAN)					1	1.00
14		11845609		KNIFE	MOC-3904,- MOC-3914- (FOR JAPAN)					1	
15		SS9090813TP		SCREW 9/64-40 L=8	MOC-3904,- MOC-3914- (FOR JAPAN)					1	
16		WP0370316SD		WASHER 3.7X8X0.3	MOC-3904,- MOC-3914- (FOR JAPAN)					1	
17		11598000		UPPER KNIFE SUPPORT	MOC-3904,- MOC-3914- (FOR EXPORT)					1	
18		11845807		UPPER KNIFE	MOC-3904,- MOC-3914- (FOR EXPORT)					1	
19		11565702		WASHER	MOC-3904,- MOC-3914- (FOR EXPORT)					1	
20		SS4060310SP		SCREW 3/32-56 L=2.5	MOC-3904,- MOC-3914- (FOR EXPORT)					1	
21		11565504		UPPER KNIFE PRESSER PLATE	MOC-3904,- MOC-3914- (FOR EXPORT)					1	
22		11848405		UPPER KNIFE COVER	MOC-3904,- MOC-3914- (FOR EXPORT)					1	
23		SS9111610SP		SCREW 11/64-40 L=16	MOC-3904,- MOC-3914- (FOR EXPORT)					1	
24		11823804		CRANK PIN C	SELECTING PART FOR FIT TOLERANCE					1	



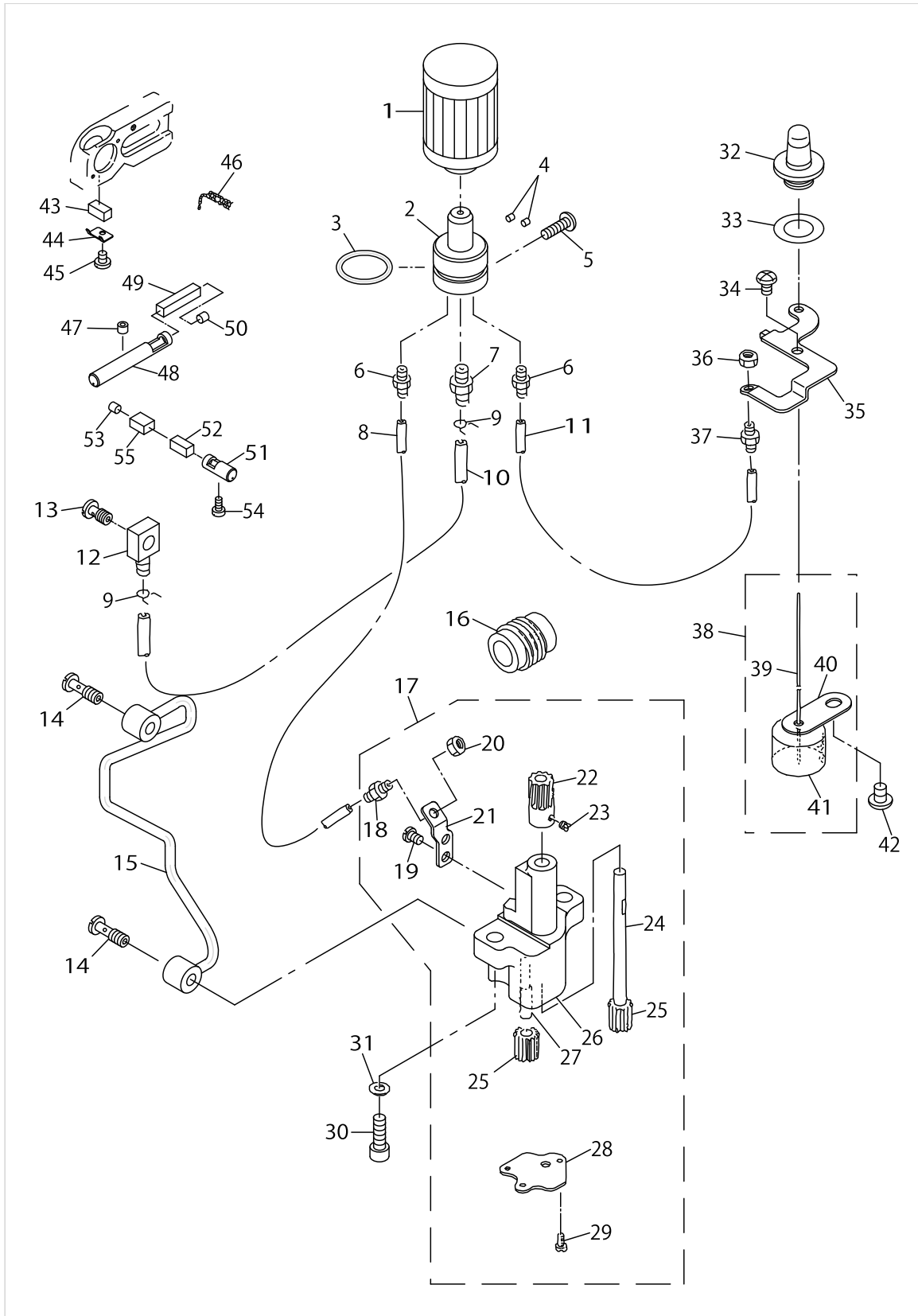
NEEDLE COOLING MECHANISM COMPONENTS



NEEDLE COOLING MECHANISM COMPONENTS

No.	Supply Code	Parts No.	Replacement	Parts name	Remarks	Choice	Step	Level	Cons	Qty	Rep. QTY
1		12224853		NEEDLE COOLER ASM.						1	
2		12224606		TANK						1	
3		12224705		TANK COVER						1	
4		SS7090540TP		SCREW 9/64-40 L=5						1	
5		11856101		NEEDLE COOLER PIN						1	
6		12225009		FELT						1	
7		CQ200000000		OIL WICK						.15	
8	R	SS7090910SP	SS7090910TP	SCREW 9/64-40 L=8.5						1	1.00
9		BT0400251ED		TUBE HOSE, GREEN						.02	
10		SM4040855SP		SCREW						1	
11		12138400		PRESSER						1	
12	R	12138152	13163456	SILICON TANK ASM.						1	1.00
13	R	12138301	13163803	FELT						1	1.00
14		TA0950806R0		RUBBER PLUG						1	
15		WP0371026SD		WASHER 3.7X7X1						1	

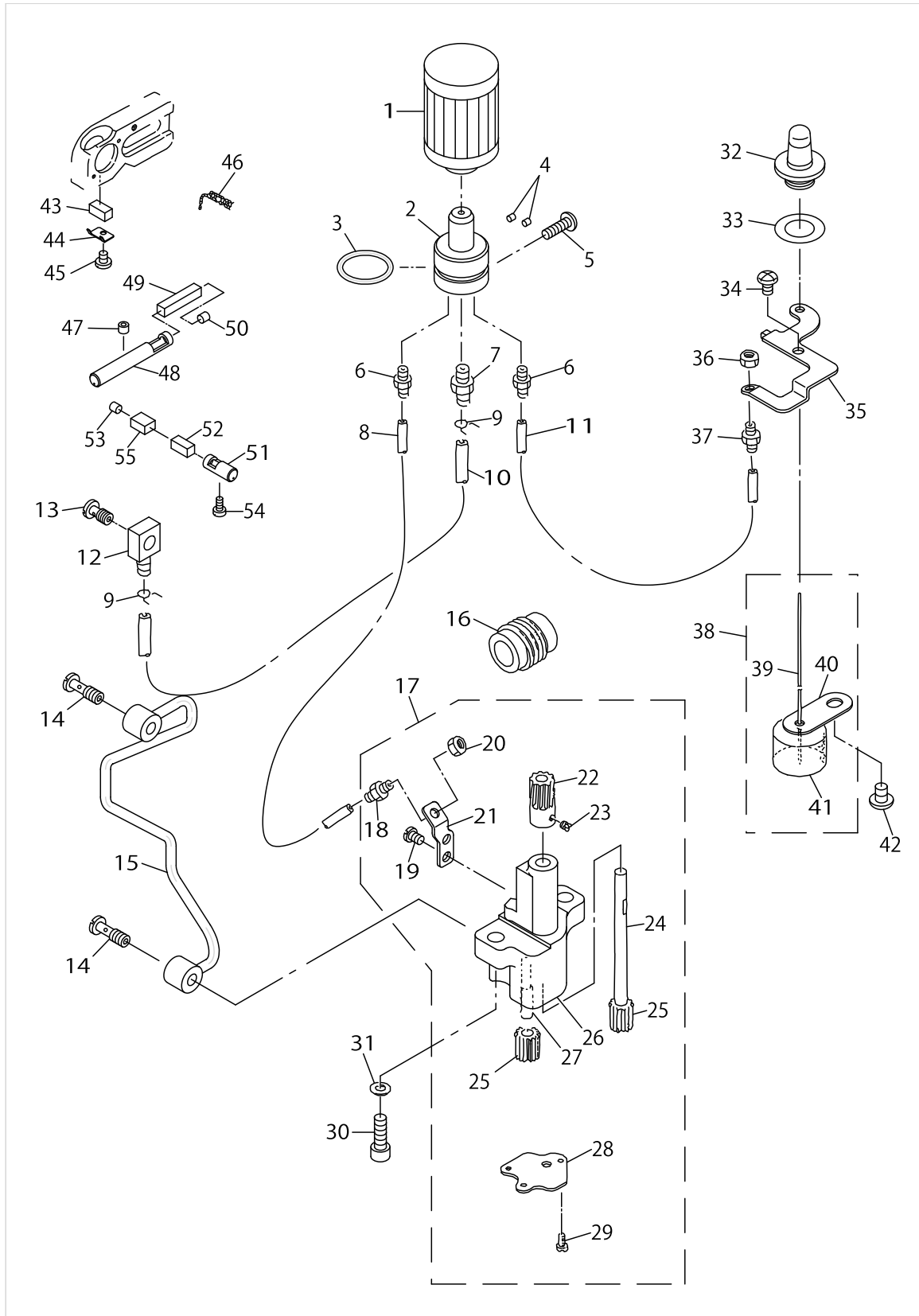
LUBRICATION MECHANISM COMPONENTS



LUBRICATION MECHANISM COMPONENTS

No.	Supply Code	Parts No.	Replacement	Parts name	Remarks	Choice	Step	Level	Cons	Qty	Rep. QTY
1	R	11843208	13142500	CARTRIDGE FILTER						1	1.00
2	D	12129706		FILTER GUIDE						1	
3	D	RO218240100		RUBBER RING						1	
4		TA0290301M0		RUBBER PLUG						2	
5		SM4051601SC		SCREW M5X0.8 L=16						1	
6		SQ1110451MZ		CONNECTING SCREW						2	
7		SQ1150451MZ		CONNECTING SCREW						1	
8		BT0500300EG		OIL TUBE						.2	
9		10126803		OIL TUBE HOLDER						2	
10		BT0500300EA		OIL TUBE						.3	
11		BT0500300EA		OIL TUBE						.2	
12		SQ0000451MZ		CONNECTING SCREW						1	
13		SQ1150441SD		CONNECTING SCREW						1	
14		SQ1150454SD		CONNECTING SCREW						2	
15	D	12218152		OIL PIPE ASM.						1	
16	D	12129102		WORM						1	
17	D	12129250		OIL PUMP ASM.						1	
18		SQ1110451MZ		CONNECTING SCREW				*		1	
19		SS4110615SP		SCREW 11/64-40 L=6				*		2	
20		NS6110310SP		NUT 11/64-40				*		1	
21		12129318		CONNECTING SCREW BRACKET				*		1	
22	R	12256103	13343009	WORM GEAR				*		1	1.00
23		SS8110410TP		SCREW 11/64-40 L= 3.5				*		2	
24		11841806		GEAR PUMP SHAFT, LARGE				*		1	
25		11840303		OIL PUMP PINION				*		2	
26	D	11840402		GEAR PUMP SHAFT				*		1	
27	D	12129201		OIL PUMP				*		1	
28		11843406		COVER				*		1	
29	R	SS6090650SP	SS6090670TP	SCREW 9/64-40 L=6				*		3	1.00
30		SM6061802SP		SCREW M6 L=18						2	
31		WP0651056SD		WASHER 6.5X11X1						2	
32	R	12130100	13143300	OIL GAUGE						1	1.00
33	D	12130209		RUBBER PACKING						1	
34		SM4050855SP		SCREW						1	
35		12255907		OILING EXIT SUPPORT						1	
36		NS6110310SP		NUT 11/64-40						1	
37		SQ1110451MZ		CONNECTING SCREW						1	
38	D	12129854		FLOAT ASM.						1	
39		12129904		OIL GAUGE BAR				*		1	
40		12130001		FLOAT SUPPORT				*		1	
41		12129805		FLOAT				*		1	
42		SM4060801SE		SCREW						1	
43	R	12130803	13143706	OIL FELT						1	1.00
44	R	12130704	13143607	FELT HOLDER						1	1.00
45		SS7060310SP		SCREW 3/32-56 L=3						1	
46		CQ202000000		OIL WICK						.1	

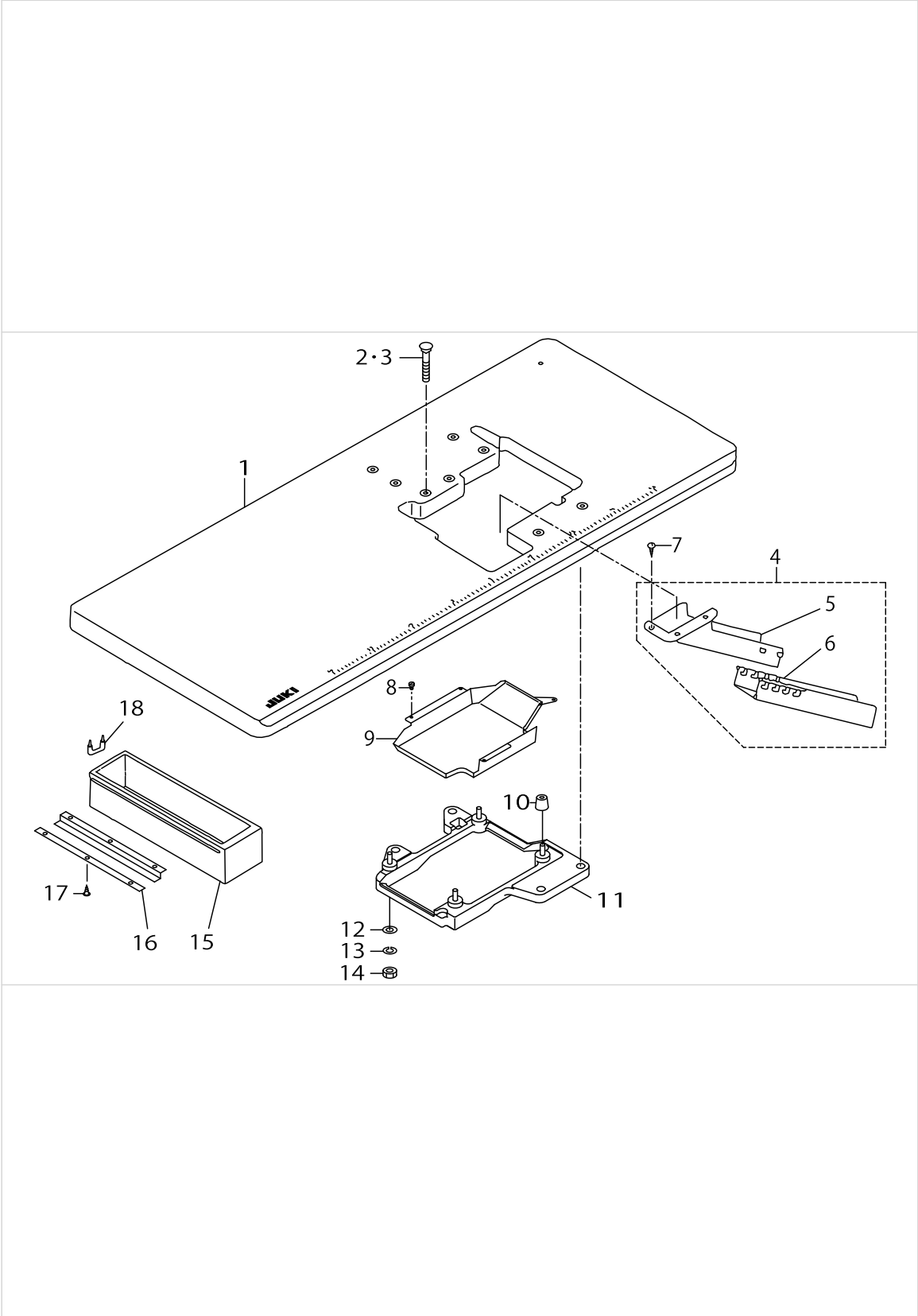
LUBRICATION MECHANISM COMPONENTS



LUBRICATION MECHANISM COMPONENTS

No.	Supply Code	Parts No.	Replacement	Parts name	Remarks	Choice	Step	Level	Cons	Qty	Rep. QTY
47		SM8050402TP		SCREW						1	
48		12130308		OILING PIN						1	
49	R	12130407	13144209	OIL FELT						1	1.00
50		TA0400301M0		PLUG D=4X4.5 L=3						1	
51		12130506		OILING PIN						1	
52	R	12130605	13143508	OIL FELT						1	1.00
53		TA0400301M0		PLUG D=4X4.5 L=3						1	
54		SS6121020SP		SCREW 3/16-28 L=9.5						1	
55		12215802		LUBRICATING LIMIT FELT						1	

SEMI-SUNKEN TYPE TABLE COMPONENTS

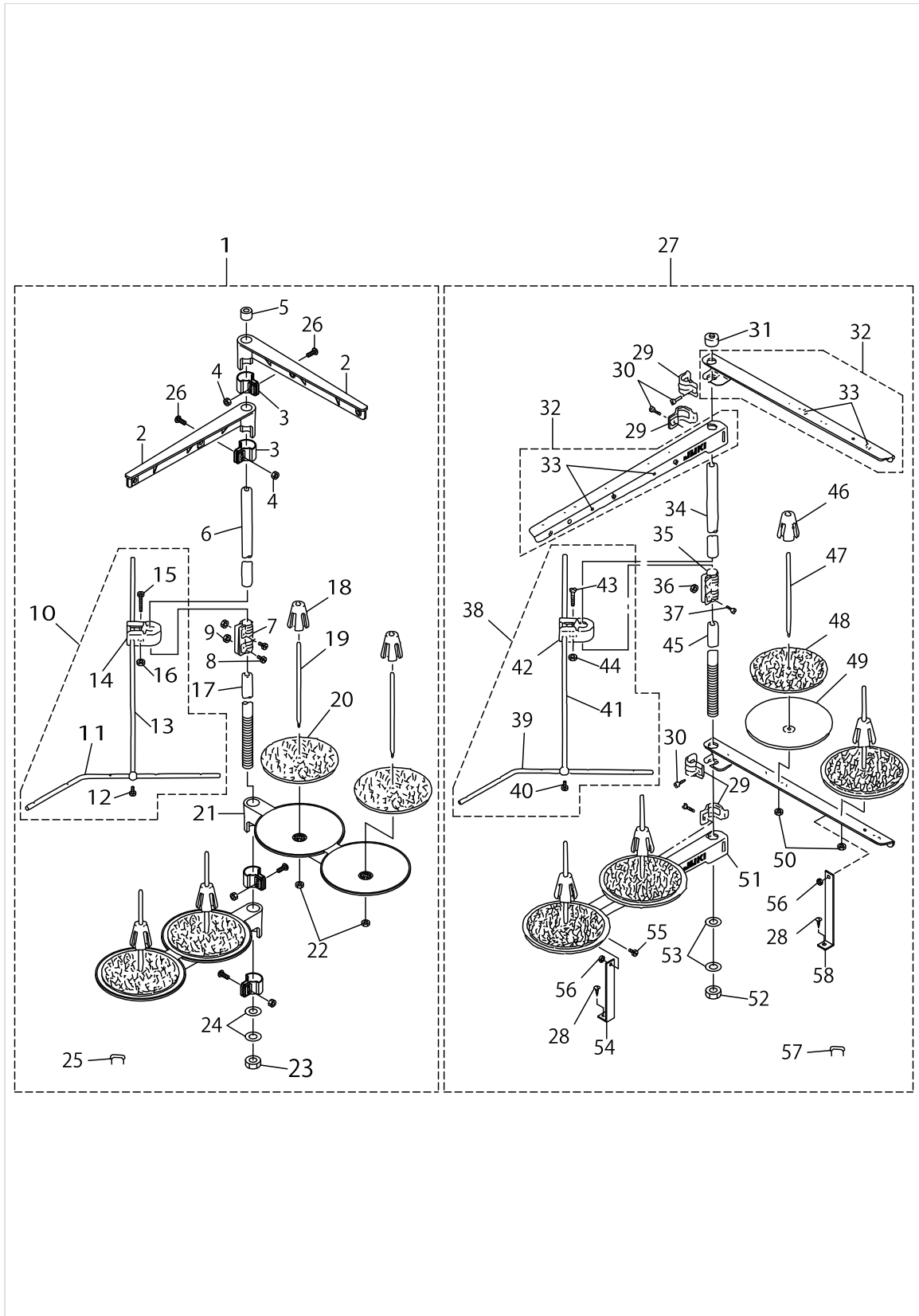


SEMI-SUNKEN TYPE TABLE COMPONENTS

No.	Supply Code	Parts No.	Replacement	Parts name	Remarks	Choice	Step	Level	Cons	Qty	Rep. QTY
1	D	12221602		TABLE(SEMI-SUNKEN)						1	
2	R	11966702	13155007	BOLT A	FOR JAPAN					4	1.00
3	R	11571601	MAS10704000	BOLT A	FOR EXPORT					4	1.00
4	D	11960150		CLOTH WASTE CHUTE ASM.(BENCH)						1	
5	D	11960101		CLOTH WASTE CHUTE,UPPER(BENCH)				*		1	
6	R	11960002	12341806	CLOTH WASTE CHUTE,LOWER(BENCH)				*		1	1.00
7		SK2351600SC		WOOD SCREW D=3.5 L=16						3	
8	R	SS6090630SP	SS6090630TP	SCREW 9/64-40 L=6						4	1.00
9		12221800		COOLING FAN CASE						1	
10	R	11571403	13155403	RUBBER CUSHION						4	1.00
11	R	12221701	12221750	FRAME SUPPORT PLATE						1	1.00
12		WP1102016SC		WASHER 11X21X2						4	
13		WS1002560KR		SPRING WASHER 10X18X2.5						4	
14	R	NS6240630SN	NS6240630SE	NUT 3/8-18						4	1.00
15	R	11155108	11155157	DRAWER						1	1.00
16		11155207		DRAWER SUPPORT						2	
17	D	SK3311500SC		WOOD SCREW D=3.1 L=15						6	
18		D8204555D00		DRAWER STOPPER						1	



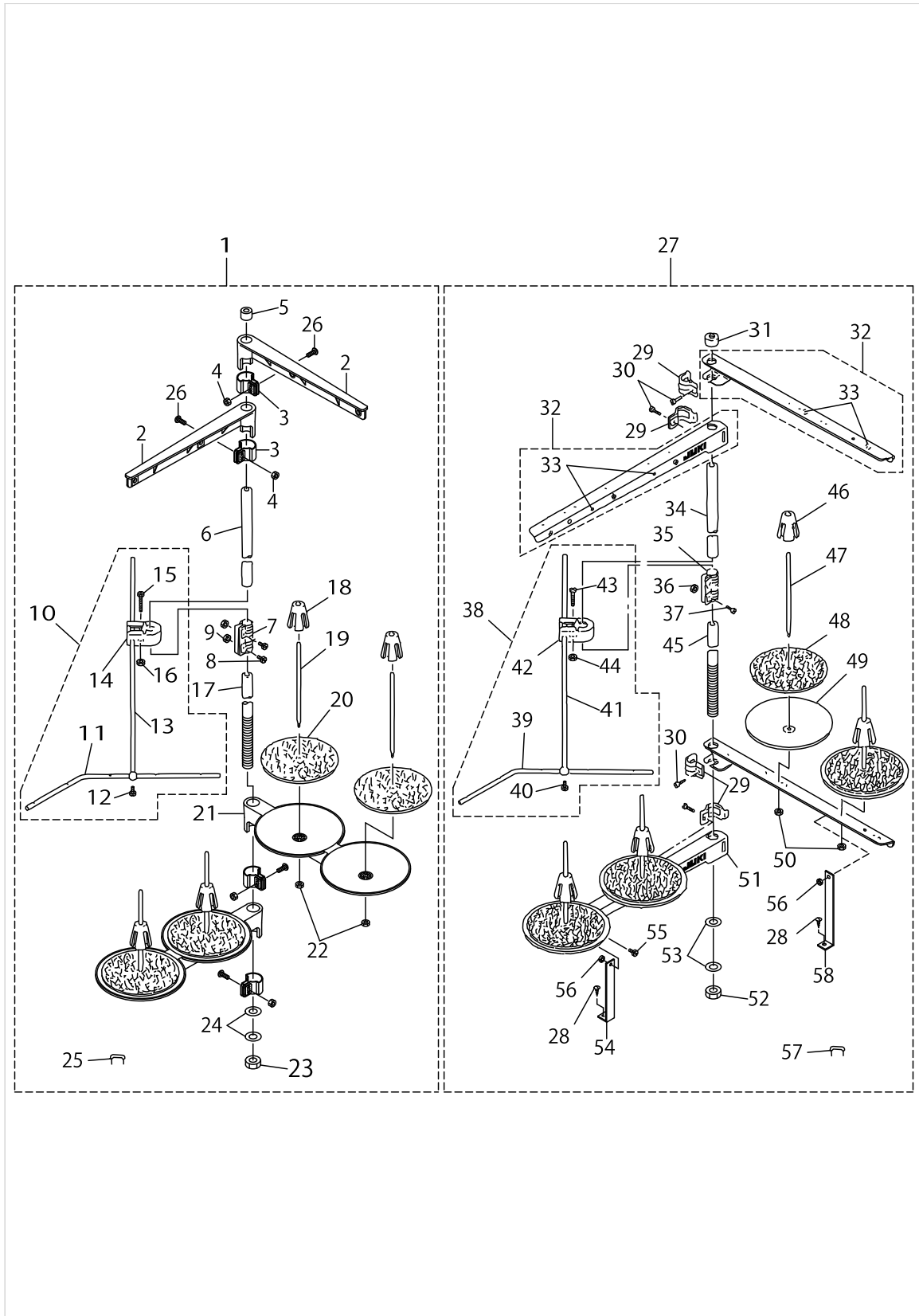
THREAD STAND COMPONENTS(FOR MO-3904,MO-3914)



THREAD STAND COMPONENTS(FOR MO-3904,MO-3914)

No.	Supply Code	Parts No.	Replacement	Parts name	Remarks	Choice	Step	Level	Cons	Qty	Rep. QTY
1	R	11969458	40106584	THREAD STANDING DEVICE ASM.						1	1.00
2	R	11185352	40096354	THREAD GUIDE ASM.				*		2	1.00
3	R	11185402	40096354	THREAD GUIDE ARM JOINT				*		4	1.00
4		NM6050001SE		NUT M5				*		4	
5	R	B3311704000	22931406	SPOOL REST ROD CAP				*		1	1.00
6	R	11185204	40096354	SPOOL REST ROD,UPPER				*		1	1.00
7	R	B3305704000A	40096354	SPOOL REST ROD JOINT				*		1	1.00
8		SM4051405SE		SCREW M5 L=14				*		2	
9		NM6050001SE		NUT M5				*		2	
10	R	B33097040A0	26910059	THREAD GUIDE ARM ASM.				*		1	1.00
11	R	B3311804000	26910059	LOWER THREAD GUIDE				*		1	1.00
12		SS7110540SP		SCREW 11/64-40 L=5				*		1	
13	R	B3309704000	26910059	THREAD GUIDE ARM				*		1	1.00
14	D	B3304704000A		THREAD GUIDE ARM HOLDER				*		1	
15	D	SM6053000SE		SCREW M5X0.8 L=30				*		1	
16		NM6050001SE		NUT M5				*		1	
17	R	11185105	40096354	SPOOL REST ROD,LOWER				*		1	1.00
18	D	11185501		SPOOL RETAINER				*		4	
19	R	B3320704L00A	40085790	SPOOL PIN				*		4	1.00
20	D	B3311012000		SPOOL REST CUSHION				*		4	
21	D	11185006		SPOOL REST ARM				*		2	
22		NM6050001SE		NUT M5				*		4	
23	R	B3317704000	NM6160511SE	NUT				*		1	1.00
24		WP1612616SE		WASHER 16X30X2.6				*		2	
25		MAO11532000		CORD STAPLE				*		3	
26		SM4051405SE		SCREW M5 L=14				*		4	
27	R	11969953	40106587	THREAD STANDING DEVICE ASM.	SPECIAL ORDER PART FOR LARGE SPOOL THREAD STAND (FOR JE)					1	1.00
28		SK3382001SE		SCREW D=3.8 L=20				*		2	
29		B3318704L00A		THREAD GUIDE ARM JOINT				*		4	
30		SM6061610SC		SCREW M6 L=16				*		4	
31	R	B3311704000	22931406	SPOOL REST ROD CAP				*		1	1.00
32	R	11969573	13168851	SPOOL REST ARM A ASM.				*		2	1.00
33	R	B3319704L00	22931208	THREAD GUIDE				*		4	1.00
34	R	11185204	40096354	SPOOL REST ROD,UPPER				*		1	1.00
35	R	B3305704000A	40096354	SPOOL REST ROD JOINT				*		1	1.00
36		NM6050001SE		NUT M5				*		2	
37		SM4051405SE		SCREW M5 L=14				*		2	
38	R	B33097040A0	26910059	THREAD GUIDE ARM ASM.				*		1	1.00
39	R	B3311804000	26910059	LOWER THREAD GUIDE				*		1	1.00
40		SS7110540SP		SCREW 11/64-40 L=5				*		1	
41	R	B3309704000	26910059	THREAD GUIDE ARM				*		1	1.00
42	D	B3304704000A		THREAD GUIDE ARM HOLDER				*		1	
43	D	SM6053000SE		SCREW M5X0.8 L=30				*		1	

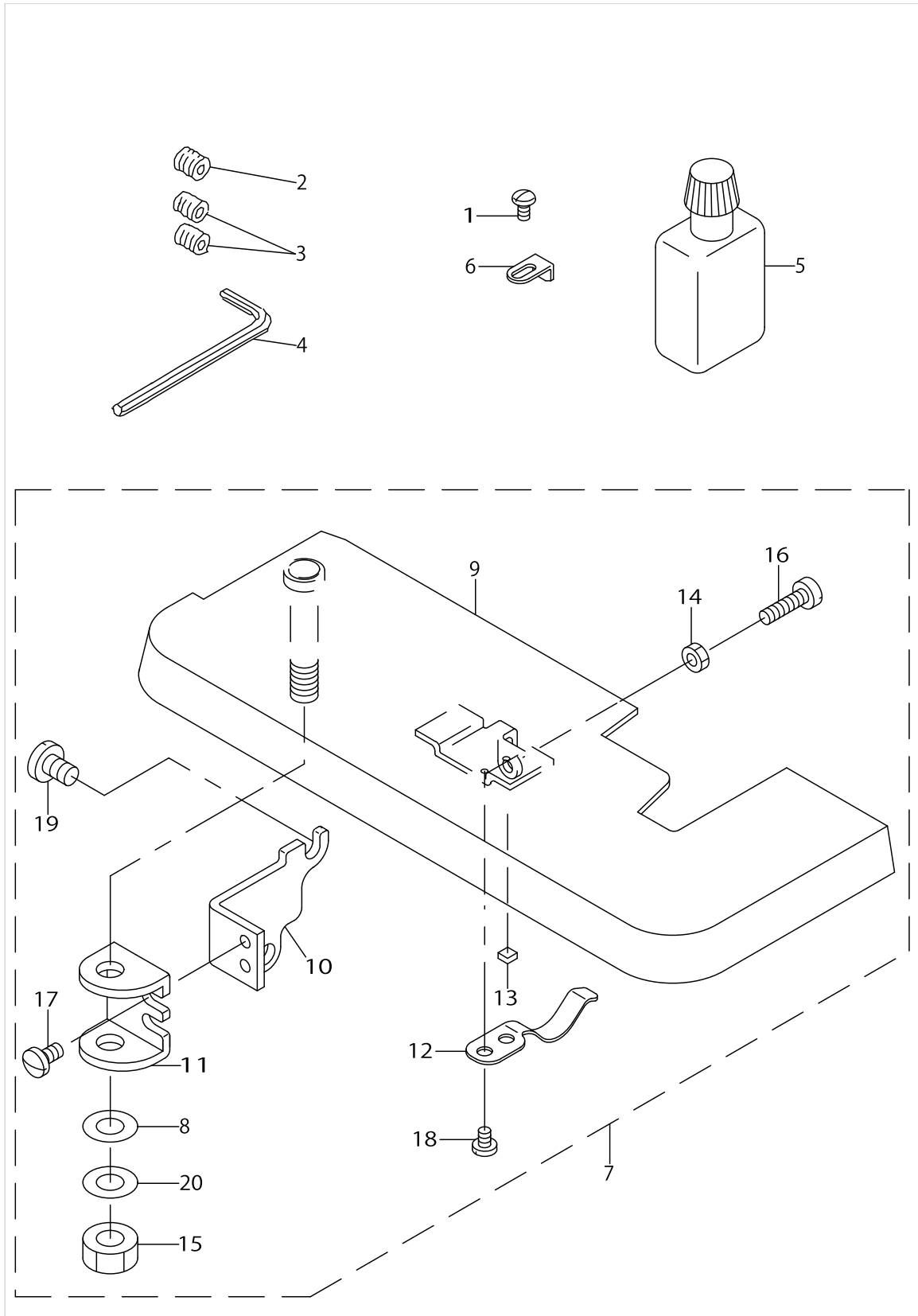
THREAD STAND COMPONENTS(FOR MO-3904,MO-3914)



THREAD STAND COMPONENTS(FOR MO-3904,MO-3914)

No.	Supply Code	Parts No.	Replacement	Parts name	Remarks	Choice	Step	Level	Cons	Qty	Rep. QTY
44		NM6050001SE		NUT M5				*		2	
45	R	11185105	40096354	SPOOL REST ROD,LOWER				*		1	1.00
46	D	11185501		SPOOL RETAINER				*		4	
47	R	B3320704L00A	40085790	SPOOL PIN				*		4	1.00
48	D	B3311012000		SPOOL REST CUSHION				*		4	
49	R	11966504	22930804	SPOOL REST				*		4	1.00
50		NM6050001SE		NUT M5				*		4	
51	R	11969508	13168802	SPOOL REST ARM A				*		2	1.00
52	R	B3317704000	NM6160511SE	NUT				*		1	1.00
53		WP1612616SE		WASHER 16X30X2.6				*		2	
54		B3321704L00		SPOOL REST ARM SUPPORT, A				*		1	
55		SM4061201SE		SCREW M6 L=12				*		2	
56		NM6060001SE		NUT M6				*		2	
57		MAO11532000		CORD STAPLE				*		3	
58	D	B3321704LOB		SPOOL REST ARM SUPPORT, B				*		1	

SPECIAL ORDER PARTS COMPONENTS



SPECIAL ORDER PARTS COMPONENTS

No.	Supply Code	Parts No.	Replacement	Parts name	Remarks	Choice	Step	Level	Cons	Qty	Rep. QTY
1		SS4080620TP		SCREW 1/8-44 L=6						1	
2		SS8080322TP		SCREW 1/8-44 L=3.2	FOR MOC-3904					1	
3		SS8080322TP		SCREW 1/8-44 L=3.2	FOR MOC-3914					2	
4		B9112804000		SPANNER						1	
5		B91351230B0		SILICON OIL LUBRICANT ASM. (30						1	
6		11898103		PRESSER FOOT AUXILIARY PLATE						1	
7		12226155		CLOTH BASE ASM.						1	
8		WZ0850302K0		WAVED WASHER 8.5X12.5X0.3				*		1	
9	R	12226163	12226155	CLOTH BASE ASM.				*		1	1.00
10		12226304		FITTING PLATE A				*		1	
11	D	12226403		FITTING PLATE B				*		1	
12		12226502		CLOTH BASE SPRING				*		1	
13	R	11806304	13102702	PLUG				*		1	1.00
14		NS6110310SP		NUT 11/64-40				*		1	
15		NS6680320SP		NUT 9/32-28				*		2	
16		SS6111610SP		SCREW 11/64-40 L=16				*		1	
17		SS7110840SP		SCREW 11/64-40 L=7.8				*		2	
18		SS7090540TP		SCREW 9/64-40 L=5				*		2	
19		SS7150910TP		SCREW 15/64-28 L=9				*		2	
20		WP08416000E		WASHER 8.4X15.5X1.6				*		1	

LIST FOR INFORMATION OF CHANGE

As to the place changed, refer to the corresponding Rev.No.  
 When previous parts(Obsoleted part) and new parts(Added parts) are  
 not interchangeable with each other:  
 In this case, even obsoleted parts(D.) can be ordered with the  
 obsoleted part number, so select the parts with changed dates and  
 place your orders.

変更箇所は、該当Rev.No.版をご参照ください。

部品の互換性がない変更の場合は、削除された品番でも、ご注文できます。

29131703  
 No.0936-06 Rev.No.

\*A:Added parts追加部品/D:Obsoleted parts削除部品/E:Erratum訂正

	Rev. No.	Page 頁	Ref. No.	Parts No. 品番		Rev. No.	Page 頁	Ref. No.	Parts No. 品番
*					*	A	06	08	57 122-56004

## HOW TO MAKE USE OF THIS PARTS LIST

### 1.Explanation of codes

1)"\*"mark.....means this part is changed from the previous parts book.

As to the details of the change, refer to the "List for information of change".

2)"#01".....refer to "Note" explanation at bottom of page.

### 2.Codes on the "Qty" column

- Each numeral indicates the number of parts required.
- "0.1" and "2.5" indicate the length (in meters) of the respective parts.

3.Parentheses mean that the corresponding part is a subpart that constructs an assembly part.

4.Dotted lines on the Figures indicate assembly parts.

### 1."注記"欄の記号説明

1) "\*"印.....前回のパーツブックに比較して今回変更された部品を意味します。

変更内容は、"変更情報リスト"を参照してください。

2) "#01".....ページ下の"注記"の説明を参照してください。

2.数量欄の数字は、個数を表し、0.1、2.5等の数値は、長さ（単位メートル）を表します。

3.数量欄の（ ）は、組部品を構成している子部品であることを意味します。

4.イラストページの-----枠は、組構成であることを意味します。



# NUMERICAL INDEX OF PARTS

PART NO	PAGE	REF NO.	PART NO	PAGE	REF NO.	PART NO	PAGE	REF NO.
10004109	4	13	11833506	22	12	12109302	12	4
10126803	42	9	11840303	42	25	12109500	12	7
11111705	36	18	11840402	42	26	12109617	12	12
11155108	46	15	11841806	42	24	12109666	12	11
11155207	46	16	11843208	42	1	12109906	12	20
11185006	48	21	11843406	42	28	12109955	12	19
11185105	48	45	11845609	38	14	12110227	12	23
11185105	50	45	11845807	38	18	12110607	12	39
11185204	48	34	11848405	38	22	12110805	12	41
11185352	48	2	11856101	40	5	12110904	12	40
11185402	48	3	11872009	28	62	12111209	12	27
11185501	48	46	11872009	30	62	12111308	12	29
11185501	50	46	11874609	28	15	12111506	14	44
11503703	4	29	11898103	52	6	12111605	14	46
11510609	8	40	11960002	46	6	12111803	12	31
11517000	24	48	11960101	46	5	12111902	12	33
11529005	20	60	11960150	46	4	12112108	12	35
11529914	18	5	11966504	50	49	12112207	14	51
11565504	38	21	11966702	46	2-3	12112306	14	52
11565702	38	19	11969458	48	1	12113205	26	23
11565801	38	9	11969508	50	51	12113304	26	24
11566809	38	10	11969573	48	32	12113403	26	33
11571403	46	10	11969953	48	27	12113452	26	32
11571601	46	2-3	12100301	6	50	12113502	26	30
11598000	38	17	12100418	4	1	12114302	26	19
11803004	2	16	12100517	6	48	12114468	26	20
11805207	4	21	12100608	4	3	12114609	26	14
11806304	52	13	12100707	4	2	12114716	26	11
11811619	8	46	12100806	4	5	12114807	26	13
11819109	26	37	12101408	2	22	12114906	26	17
11819315	26	36	12101515	2	10	12115002	26	2
11819414	26	26	12101804	4	45	12115051	26	1
11819703	26	29	12101903	4	10	12115101	26	3
11820701	28	61	12101952	4	7	12115200	26	4
11820701	30	61	12102000	4	26	12115309	26	8
11823804	12	10	12103206	2	21	12115903	26	12
11823804	16	26	12103404	2	26	12118303	18	25
11823804	38	24	12104907	4	28	12118600	16	30
11828050	18	7	12105201	4	42	12118709	20	65
11831708	24	45	12107611	10	47	12122354	8	26
11831757	24	44	12107702	8	43	12122404	22	5
11831807	22	26	12109104	8	24	12122511	22	4
11831906	22	25	12109153	8	23	12122610	22	1
11833100	22	17	12109211	12	3	12122800	24	41
11833407	22	22	12109260	12	1	12122859	24	40

NUMERICAL INDEX OF PARTS

PART NO	PAGE	REF NO.	PART NO	PAGE	REF NO.	PART NO	PAGE	REF NO.
12122909	22	34	12132213	38	2	12209102	18	35
12123204	22	33	12132262	38	1	12209201	18	36
12123808	22	19	12132304	38	7	12209300	18	37
12123907	22	23	12132403	38	11	12209409	20	48
12124004	22	10	12132502	38	4	12209458	20	46
12124400	8	30	12133302	38	13	12209508	20	47
12124509	8	38	12138152	40	12	12209607	20	49
12126108	34	47	12138301	40	13	12209706	18	43
12126207	32	3	12138400	40	11	12209805	18	42
12126405	32	12·21·30	12148607	12	30	12209904	18	2
12126504	32	37	12148706	12	34	12209953	18	1
12126702	32	8·17·26	12160008	28	44	12210001	18	3
12126819	32	5·14·23	12180162	32	1·2	12210100	8	9
12126868	32	4·13·22	12180659	32	1·2	12210209	18	11
12126918	32	5·14·23	12200200	2	1	12210308	18	6
12126967	32	4·13·22	12200309	2	2	12210407	18	26
12127015	32	5·14·23	12200408	2	3	12210506	18	24
12127064	32	4·13·22	12200507	2	5	12210605	18	23
12127403	32	31	12200655	2	23	12210704	18	30
12127502	32	32	12200804	2	20	12210803	18	31
12127601	32	33	12200903	2	18	12210902	18	41
12127700	32	34	12201059	4	17	12211009	20	54
12127809	32	35	12201117	4	34	12211157	20	64
12127957	32	36	12201166	4	33	12211306	20	69
12128203	32	38	12201208	4	44	12211405	20	56
12128302	32	39	12203600	8	11	12211504	20	71
12129102	42	16	12203816	8	36	12211603	20	57
12129201	42	27	12203907	8	15	12211702	16	28
12129250	42	17	12204004	8	2	12211801	16	27
12129318	42	21	12204103	8	14	12212007	20	76
12129706	42	2	12204202	8	10	12212106	20	75
12129805	42	41	12206603	26	40	12214607	22	7
12129854	42	38	12206702	26	38	12214656	22	6
12129904	42	39	12208104	16	2	12214706	22	35
12130001	42	40	12208161	16	1	12214755	22	32
12130100	42	32	12208203	16	4	12214805	22	30
12130209	42	33	12208302	16	11	12214904	24	61
12130308	44	48	12208401	16	12	12215000	24	64
12130407	44	49	12208500	16	18	12215158	8	31
12130506	44	51	12208609	16	17	12215208	24	60
12130605	44	52	12208708	16	19	12215307	24	50
12130704	42	44	12208807	16	15	12215356	24	49
12130803	42	43	12208906	16	10	12215406	24	58
12132106	8	19	12209003	16	24	12215554	22	14
12132155	8	18	12209052	16	22	12215604	24	56

NUMERICAL INDEX OF PARTS

PART NO	PAGE	REF NO.	PART NO	PAGE	REF NO.	PART NO	PAGE	REF NO.
12215703	22	28	12247102	24	39	B3120704000	32	9·18·27
12215802	44	55	12247300	24	38	B3126012000	32	10·19·28
12218152	42	15	12250205	6	49	B322877100B	18	34
12219101	36	1	12252805	12	5	B3304704000A	48	42
12219200	36	8	12252904	12	15	B3305704000A	48	35
12219358	36	9	12253308	14	53	B3309704000	48	41
12219507	36	7	12253811	28	1	B33097040A0	48	38
12219606	36	6	12255907	42	35	B3311012000	48	48
12219705	36	25	12256004	14	57	B3311012000	50	48
12219804	36	3	12256103	42	22	B3311704000	48	31
12219903	36	2	12258000	4	41	B3311804000	48	39
12220000	36	10	12280103	8	45	B3317704000	48	52
12220109	36	5	12280608	12	38	B3317704000	50	52
12220208	36	12	12372108	12	24	B3318704L00A	48	29
12220307	36	11	12372157	12	22	B3319704L00	48	33
12220505	36	23	13508700	24	53	B3320704L00A	48	47
12220604	36	29	B1140716000	2	11	B3320704L00A	50	47
12221602	46	1	B1211804000	8	39	B3321704L00	50	54
12221701	46	11	B1212704000	8	16	B3321704L0B	50	58
12221800	46	9	B150880400B	28	50	B9112804000	52	4
12224606	40	2	B150880400B	30	50	B91351230B0	52	5
12224705	40	3	B1509804C00	28	29	BT0400251ED	40	9
12224853	40	1	B150981400P	30	51	BT0500300EA	42	11
12225009	40	6	B1510814000	28	52	BT0500300EG	42	8
12226155	52	7	B1510814000	30	52	BT0600402EA	14	54
12226163	52	9	B1511814000	28	53	CM300200001	2	27
12226304	52	10	B1511814000	30	53	CM3002000A1	4	8
12226403	52	11	B1528804000A	28	2	CM300200101	4	11·12
12226502	52	12	B1530804000	28	54	CM3002001A1	4	11·12
12229100	2	8	B1530804000	30	54	CQ200000000	24	47
12230165	28	19	B1534804000	26	22	CQ200000000	40	7
12230264	30	49	B1536804000	20	73	CQ202000000	24	46
12230355	28	34	B1620804000	18	38	CQ202000000	42	46
12230769	28	4	B1646704000A	20	63	CQ252000000	12	21
12232104	28	63	B1647704000A	20	62	CS0790731SH	18	9
12232104	30	63	B1652704000	16	31	CS087081BSH	20	67
12235107	18	14	B1707155000	18	39	CS087081CSH	20	72
12235206	18	15	B2530704000	22	15	CS1031210SH	22	62
12236600	18	20	B2531704000	24	51	CS1031210SH	24	62
12236709	18	21	B3013141H0A	4	25	CS111101ESH	38	5
12238101	18	18	B3101804000	32	7·16·25	CS1201010SH	12	8
12238200	18	19	B3102804000	32	7·16·25	CS120101BSH	20	52
12240107	24	67	B3103804000	32	7·16·25	D8204555D00	46	18
12240602	24	65	B3112704000	32	6·15·24	MAO11532000	48	57
12240701	36	4	B3120352000	32	11·20·29	MAO11532000	50	57

NUMERICAL INDEX OF PARTS

PART NO	PAGE	REF NO.	PART NO	PAGE	REF NO.	PART NO	PAGE	REF NO.
MC033600750	14	56	SD0260271SP	16	14	SQ1150441SD	42	13
MDC270B1100	14	50	SD0280401SL	14	42	SQ1150451MZ	42	7
NM6050001SE	48	50	SD0640241SP	26	6	SQ1150454SD	42	14
NM6050001SE	50	50	SD0640321TP	20	55	SS2090520SL	2	9
NM6060001SE	50	56	SK2351600SC	46	7	SS2090830SL	32	41
NM6060003SC	26	28	SK3311500SC	46	17	SS2110910SL	36	13
NS6090310SN	2	12	SK3382001SE	48	28	SS3090610SP	2	15
NS6090310SP	32	42	SK3412000SC	4	43	SS3090610SP	22	24
NS6110310SP	42	36	SM0081001SD	4	36	SS4060310SP	38	20
NS6110310SP	52	14	SM1040801SC	4	46	SS4080610SP	24	66
NS6110420SP	26	39	SM4040601SC	4	18	SS4080620TP	52	1
NS6240630SN	46	14	SM4040655SP	2	14	SS4090615SP	22	29
NS6680320SP	52	15	SM4040655SP	22	20	SS4110515SP	12	28
NS6680410SP	4	32	SM4040855SP	4	47	SS4110615SP	42	19
PS0150065KP	36	30	SM4040855SP	6	47	SS4110715SP	26	10
PS0200062KH	24	52	SM4040855SP	12	36	SS4110815SP	36	24
PS0300132KH	4	37	SM4040855SP	18	27	SS4120615SP	2	24
PS0300132KH	16	13	SM4040855SP	40	10	SS4121215SP	26	25
PS0300132KH	32	45	SM4041055SP	2	25	SS4151215SP	4	14
PS0300142KH	26	7	SM4041455SN	32	44	SS5080212TP	8	12
R4200K0ED00	36	26	SM4050855SP	2	7	SS5110710SP	4	23
R4305K0EE00	36	27	SM4050855SP	8	44	SS5110740TP	8	1
R4305K0EE0A	36	32	SM4050855SP	20	59	SS6060210SP	28	55
RE0320000K0	16	29	SM4050855SP	36	19	SS6060210SP	30	55
RE0400000K0	18	4	SM4050855SP	42	34	SS6060440TP	28	56
RO037180100	18	12	SM4051255SP	4	4	SS6060440TP	30	56
RO037180100	22	27	SM4051405SE	48	37	SS6080340SP	16	16
RO060150100	20	66	SM4051601SC	42	5	SS6080340SP	26	9
RO074240100	4	35	SM4060801SE	42	42	SS6080410SP	20	50
RO078190100	4	6	SM4061201SE	50	55	SS6080410SP	22	13
RO108240100	12	25	SM6053000SE	48	43	SS6080720SP	12	37
RO110090100	26	18	SM6061200SP	24	37	SS6090630SP	22	16
RO218240100	42	3	SM6061200SP	26	27	SS6090630SP	46	8
RO315200100	2	4	SM6061202TP	8	29	SS6090630TP	24	55
RO347350100	8	42	SM6061202TP	12	2	SS6090650SP	28	57
SB31200030A	8	4~8	SM6061202TP	16	23	SS6090650SP	30	57
SB31200030B	8	4~8	SM6061202TP	38	3	SS6090650SP	42	29
SB31200030C	8	4~8	SM6061402TP	12	13	SS6090670TP	14	45
SB31200030D	8	4~8	SM6061610SC	48	30	SS6090810TP	18	22
SB31200030E	8	4~8	SM6061802SP	42	30	SS6090910TP	18	28
SB33500020A	16	5~9	SM8040402TP	26	15	SS6090910TP	24	59
SB33500020B	16	5~9	SM8040612TP	12	26	SS6110480SP	36	17
SB33500020C	16	5~9	SM8050402TP	44	47	SS6110710TP	26	31
SB33500020D	16	5~9	SQ0000451MZ	42	12	SS6110820TP	18	32
SB33500020E	16	5~9	SQ1110451MZ	42	37	SS6111010TP	18	33

NUMERICAL INDEX OF PARTS

PART NO	PAGE	REF NO.	PART NO	PAGE	REF NO.	PART NO	PAGE	REF NO.
SS6111040SP	38	12	SS8080410TP	8	13	WP0371026SD	40	15
SS6111110SP	16	20	SS8080410TP	36	31	WP0451026SH	18	44
SS6111140SP	24	57	SS8090530TP	12	14	WP0621016SD	20	61
SS6111610SP	52	16	SS8110410TP	2	19	WP0651056SD	42	31
SS6121020SP	44	54	SS8110410TP	18	74	WP0751576SD	4	30
SS6121220TP	18	40	SS8110410TP	20	74	WP0764016SP	10	49
SS6660610TP	20	70	SS8110410TP	42	23	WP08416000E	52	20
SS6660710TP	16	3	SS8110422TP	8	3	WP1102016SC	46	12
SS7060310SP	42	45	SS8110422TP	36	28	WP1612616SE	48	53
SS7060510SP	36	14	SS8110520TP	16	21	WP1612616SE	50	53
SS7060610SP	18	17	SS8110520TP	26	21	WS0822010KP	4	31
SS7060610SP	22	31	SS8120410SP	12	6	WS1002560KR	46	13
SS7060610SP	28	58	SS8151150SP	10	48	WZ0850302K0	4	24
SS7060610SP	30	58	SS8660330SP	38	6	WZ0850302K0	52	8
SS7080520SP	28	59	SS8660410SP	20	53	WZ2640310KH	8	41
SS7080520SP	30	59	SS8660610TP	12	9			
SS7080520SP	36	21	SS8660610TP	22	63			
SS7090530SP	2	13	SS8660610TP	24	63			
SS7090540TP	20	58	SS9090410TP	24	36			
SS7090540TP	40	4	SS9090610TP	22	43			
SS7090540TP	52	18	SS9090610TP	24	43			
SS7090610SP	2	17	SS9090813TP	38	15			
SS7090611SL	4	27	SS9111610SP	38	23			
SS7090850SP	22	18	SS9151210TP	4	20			
SS7090910SP	40	8	SS9151210TP	8	34			
SS7110510SP	26	5	SS9151210TP	20	51			
SS7110510SP	36	22	SS9151210TP	22	54			
SS7110540SP	48	40	SS9151210TP	24	54			
SS7110740TL	32	43	SS9151210TP	26	34			
SS7110840SP	8	22	SS9681610TP	8	35			
SS7110840SP	22	11	TA0290301M0	42	4			
SS7110840SP	36	15	TA0400301M0	44	53			
SS7110840SP	52	17	TA0620504R0	32	40			
SS7110910TP	16	25	TA0800504R0	4	39			
SS7110910TP	32	46	TA0950806R0	40	14			
SS7111410SP	26	41	TA0951301R0	14	55			
SS7111410TP	8	33	TA1250406R0	4	38			
SS7111810SP	8	37	TA1450404R0	2	6			
SS7111810TP	8	32	TA1470702R0	4	40			
SS7111810TP	18	45	TA1701107R0	4	22			
SS7150910TP	52	19	TA2050805R0	4	19			
SS7161040SP	26	35	WP0250516SD	28	60			
SS8080310TP	14	47	WP0250516SD	30	60			
SS8080310TP	36	20	WP0370316SD	38	16			
SS8080322TP	52	3	WP0371026SD	18	29			