

MODEL : T040

List No : 0933-04

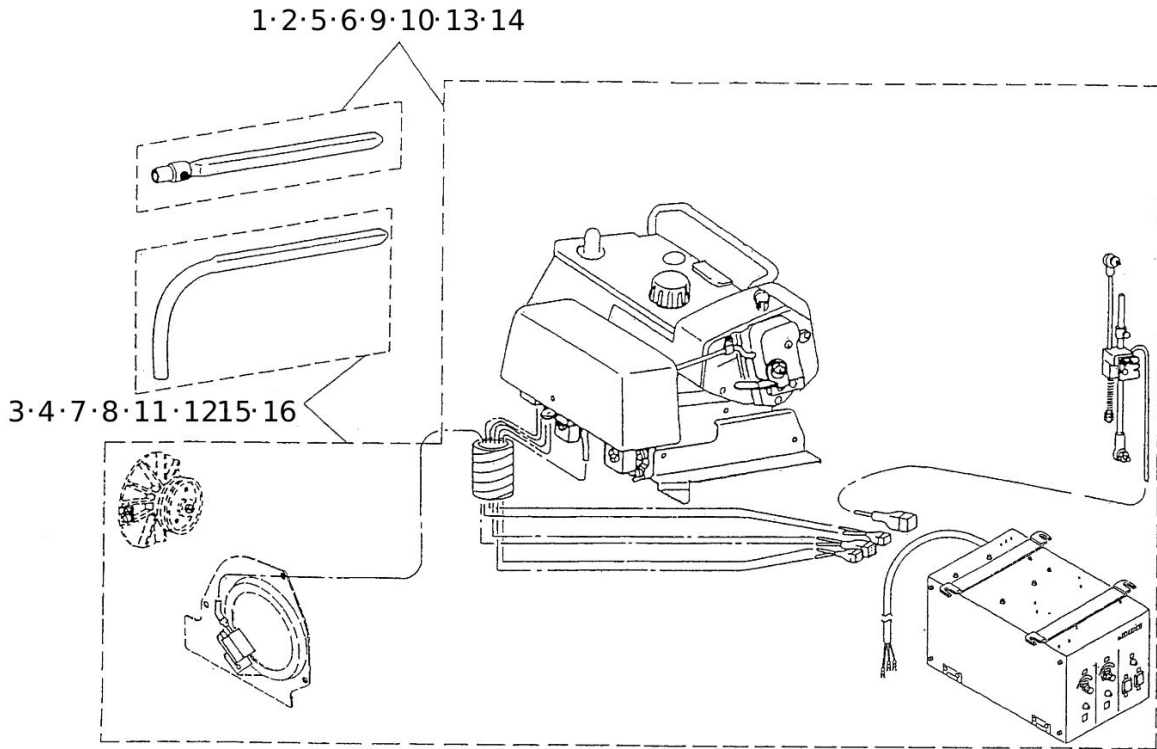
PARTS LIST

Published:05/12/2017

CONTENTS

APPLICABLE MODELS & USAGE	1
KNIFE & MAGNET COMPONENTS.....	3
SENSOR & TENSION RELEASE MAGNET COMPONENTS	7
CONTROL BOX COMPONENTS	11
PRINTED CIRCUIT BOARD COMPONENTS	13
WIRING DIAGRAM.....	15
HOW TO MAKE USE OF THIS PARTS LIST	17

APPLICABLE MODELS & USAGE



Applicable models 適用機種	Usage 用途
All models of M0-6Δ00S, M0-6900R, M0-6900G, M0-6900J series (Except M0-6Δ12, M0-6912R)	Automatic chain-off thread cutter
M0-6Δ00S, M0-6900R, M0-6900G, M0-6900Jシリーズ全機種 (M0-6Δ12, M0-6912Rは除く)	自動空環系切り用

TABLE OF UNIT COMBINATIONS
ユニット組合わせ表

Ref. No.	Part No. 品番	100V	220V	Table Type テーブル仕様	Applicable models 適用機種
		115V	240V		
1	400-43894	○		Semi-sunken 卓上式	M0-6Δ00S
2	400-43897		○	Fully-sunken	
3	400-43898	○		全沈式	
4	400-43899		○		
5	400-43900	○		Semi-sunken 卓上式	M0-6900R
6	400-43901		○	Fully-sunken	
7	400-43902	○		全沈式	
8	400-43903		○		
9	400-43904	○		Semi-sunken 卓上式	M0-6900G
10	400-43905		○	Fully-sunken	
11	400-43906	○		全沈式	
12	400-43907		○		
13	400-43908	○		Semi-sunken 卓上式	M0-6900J
14	400-43909		○	Fully-sunken	
15	400-43910	○		全沈式	
16	400-43911		○		

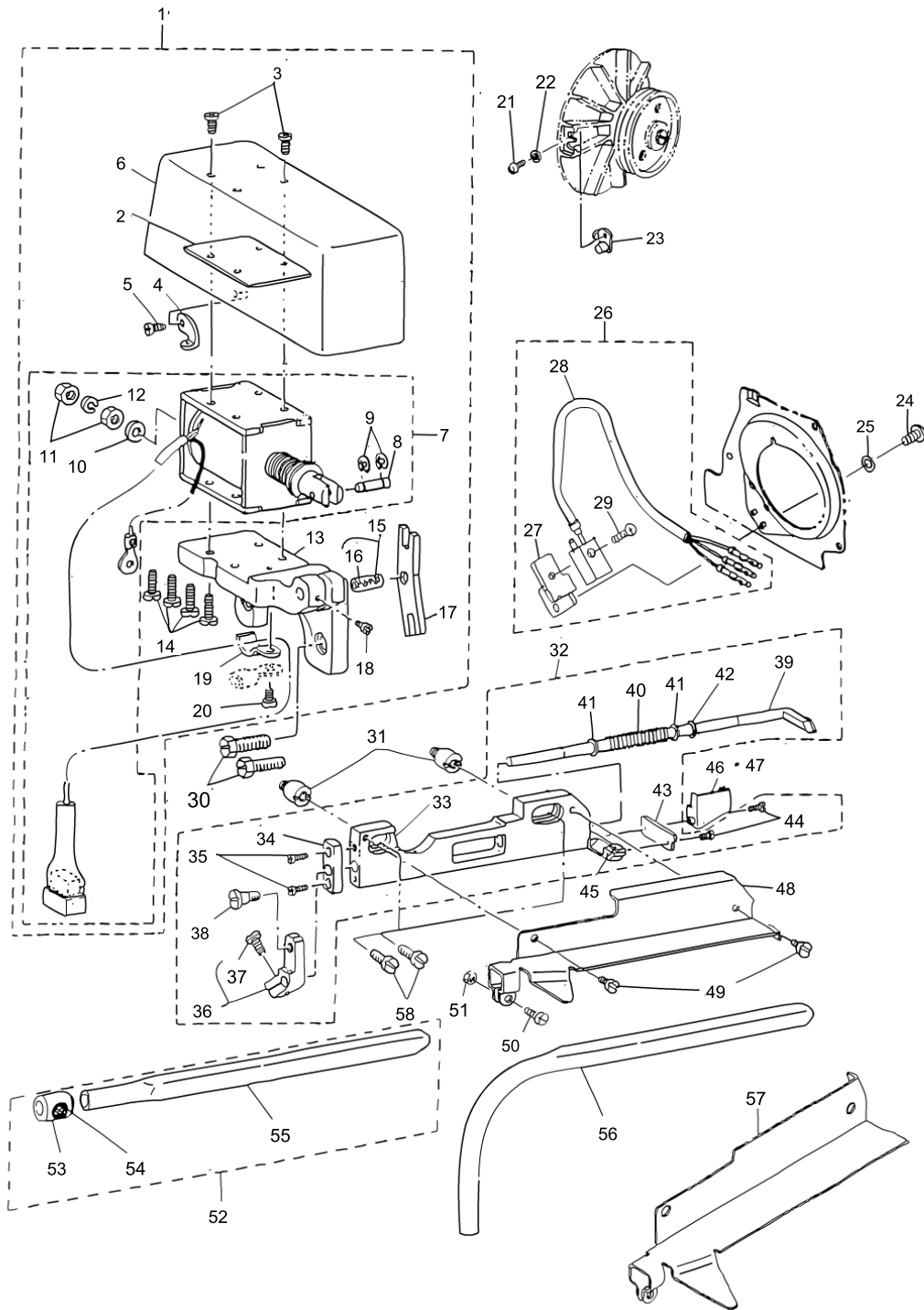
APPLICABLE MODELS & USAGE

No.	Supply Code	Parts No.	Replacement	Parts name	Remarks	Choice	Step	Level	Cons	Qty	Rep. QTY
1		40043894		T040 A 1 S						1	
2		40043897		T040 B 1 S						1	
3		40043898		T040 A 0 S						1	
4		40043899		T040 B 0 S						1	
5		40043900		T040 A 1 R						1	
6		40043901		T040 B 1 R						1	
7		40043902		T040 A 0 R						1	
8		40043903		T040 B 0 R						1	
9		40043904		T040 A 1 G						1	
10		40043905		T040 B 1 G						1	
11		40043906		T040 A 0 G						1	
12		40043907		T040 B 0 G						1	
13		40043908		T040 A 1 J						1	
14		40043909		T040 B 1 J						1	
15		40043910		T040 A 0 J						1	
16		40043911		T040 B 0 J						1	

KNIFE & MAGNET COMPONENTS

2. KNIFE & MAGNET COMPONENTS

メス・マグネット関係



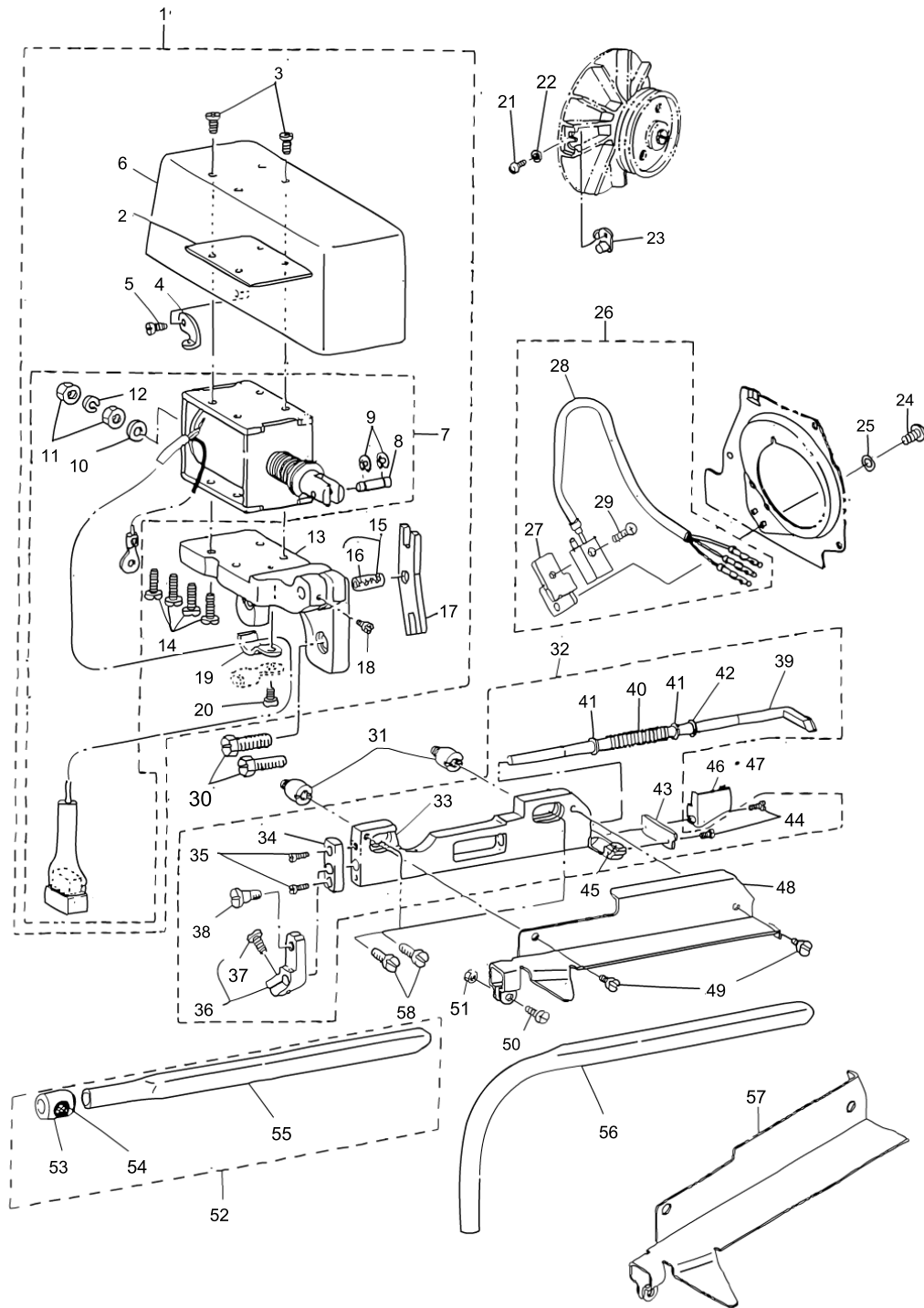
KNIFE & MAGNET COMPONENTS

No.	Supply Code	Parts No.	Replacement	Parts name	Remarks	Choice	Step	Level	Cons	Qty	Rep. QTY
1		40042743		THREAD CUTTER MAGNET ASM.						1	
2		MAT81132T00		MAGNET RUBBER COVER				*		1	
3		SM4040601SB		SCREW M4 L=6				*		4	
4		B2526704000		LOWER LOOPER THREAD GUIDE				*		1	
5	R	SS6090630SP	SS6090630TP	SCREW 9/64-40 L=6				*		1	1.00
6	R	MAT03219000	MAT03219000A	MAGNET COVER				*		1	1.00
7		40042572		THREAD CUTTER MAGNET ASM.				*		1	
8		MAT80114T00		PLUNGER PIN				*		1	
9		RE0300000K0		E-RING 3				*		2	
10		MAT80115T00		WASHER				*		1	
11		NM6040001SE		NUT M4				*		2	
12	R	WS0411002KB	WS0411002KN	SPRING WASHER 4				*		1	1.00
13		MAT03218000B		MAGNET WITH MOUNTING BASE				*		1	
14		SM4041001SB		SCREW M4 L=10				*		4	
15		B21160190A0		PIN ASM.				*		1	
16		CQ200000000		OIL WICK				*		0.2	
17		MAT00509000		KNIFEDRIVINGLEVER				*		1	
18		SS4090615SP		SCREW 9/64-40 L=6				*		1	
19		D2611555B0B		CABLE HOLDER B				*		1	
20		SS7090850SP		SCREW 9/64-40 L=8				*		1	
21	R	SS4080610SP	SS4080620TP	SCREW 1/8-44 L=6.4						1	1.00
22		WZ0420350KP		DISC SPRING						1	
23		MAT016110A0		MAGNETBASEAASM.						1	
24		SM4030601SN		SCREW M3 X 6						2	
25		WP03305000E		WASHER 3.3X6X0.5						2	
26		40042864		COUNTSENSORASM.						1	
27		MAT03202000		SWITCH BASE				*		1	
28	R	40042865	40042864	COUNT SENSOR				*		1	1.00
29		SM1020801SN		SCREW M2 L=8				*		1	
30		SS9151630CP		SCREW 15/64-28 L=15.5						2	
31		MAT01601000B		KNIFE BASE SPACER SCREW						2	
32	R	MAT015010A0A	MAT015010B0A	KNIFE BASE JUNCTION						1	1.00
33		MAT01501000A		KNIFE DRIVING SH-AFT MOUNTING B				*		1	
34		MAT80102T00		KINFE DRIVING SHAFT BUSHING				*		1	
35	R	SS4080610SP	SS4080620TP	SCREW 1/8-44 L=6.4				*		2	1.00
36		MAT005060A0		KNIFE DRIVING ARM ASM.				*		1	
37		SS6090810SP		SCREW 9/64-40 L= 7.5				*		1	
38		SD0500481TP		HINGE SCREW D= 5 H= 4.8				*		1	
39	R	MAT00504000	MAT00504000A	DRIVING SHAFT				*		1	1.00
40		MAT80105T00		SPRING				*		1	
41		WP0510516SD		WASHER 5.1X7.5X0.5				*		2	
42	R	MAT80106T00	RC0410415KP	SNAP RING				*		1	1.00
43		MAT00505000		KNIFE				*		1	
44		SS3060410SP		SCREW 3/32-56 L=4				*		2	
45		MAT81102T00A		KNIFE STOPPER				*		1	

KNIFE & MAGNET COMPONENTS

2. KNIFE & MAGNET COMPONENTS

メス・マグネット関係



KNIFE & MAGNET COMPONENTS

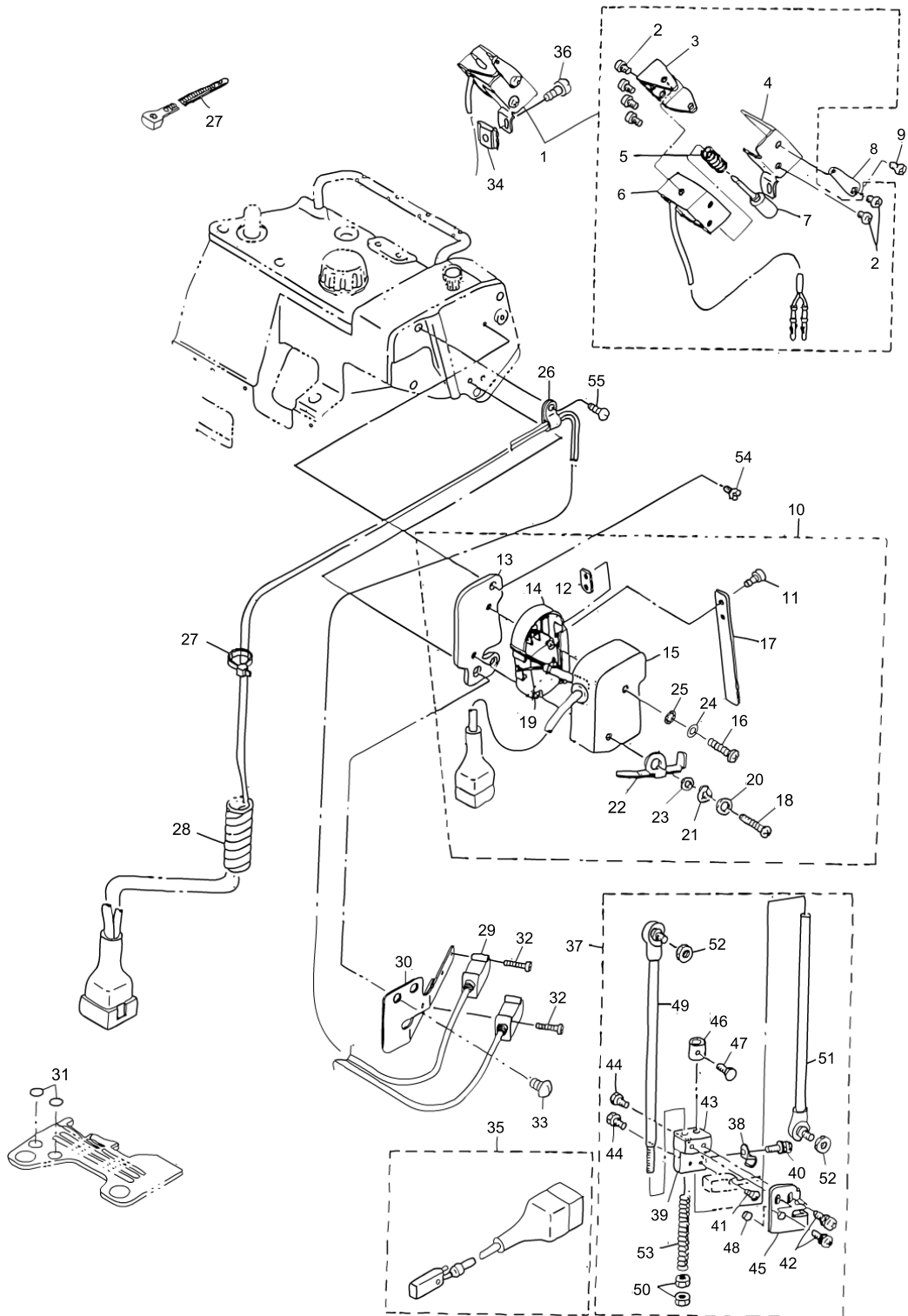
No.	Supply Code	Parts No.	Replacement	Parts name	Remarks	Choice	Step	Level	Cons	Qty	Rep. QTY
46		MAT01603000		SIDE COVER	FOR MO-6- Δ00S,MO-6900R					1	
47		MAT01603A00		SIDE COVER	FOR MO-6- 900G,MO-6900J					1	
48		MAT04001000		KNIFE BASE COVER	FOR MO-6- Δ00S,MO-6900G					1	
49		SS5090610SP		SCREW 9/64-40 L=6						2	
50		SS6090810SP		SCREW 9/64-40 L=7.5						1	
51		NS6090310SP		NUT 9/64-40						1	
52		MAT81104TA0		PIPE ASM.	FOR SEMI- -SUNKEN TABLE					1	
53		MAT81105T00		VACUUM ADJUSTING VALVE	FOR SEMI- -SUNKEN TABLE			*		1	
54		MAT81106T00		VALVE NET	FOR SEMI- -SUNKEN TABLE			*		1	
55		MAT81104T00		PIPE	FOR SEMI- -SUNKEN TABLE			*		1	
56		MAT81104T0B		PIPE (B)	FOR FULL- Y-SUNKEN TABLE					1	
57		MAT04007000		KNIFE BASE COVER B	FOR MO-6- 900R,MO-6900J					1	
58		SS6120940SP		SCREW 3/16-28 L=9						2	

SENSOR & TENSION RELEASE MAGNET COMPONENTS

No.	Supply Code	Parts No.	Replacement	Parts name	Remarks	Choice	Step	Level	Cons	Qty	Rep. QTY
1		40042866		TENSION RELEASE MAGNET ASM.						1	
2		SM4030401SC		SCREW M3X0.5 L=4				*		6	
3		MAT81125T00A		TENSION RELEASING MAGNET COVER				*		1	
4	D	40009721		MAGNET ASM.				*		1	
5		MAT81124T00A		SPRING				*		1	
6	R	MAT01631000	MAT016310A0	TENSION RELEASE MAGNET				*		1	1.00
7		MAT81123T00A		TENSION RELEASING PLUNGER				*		1	
8		MAT01633000		THREAD GUIDE	FOR TWO-- NEEDLE O-- VEREDGER AND SAFE-- TY STITCHER					1	
9		SM4030601SN		SCREW M3 X 6	FOR TWO-- NEEDLE O-- VEREDGER AND SAFE-- TY STITCHER					1	
10		40042863		THREAD CUTTER AWITCH ASM.						1	
11		SM4860501SC		SCREW M 2.6 X 5				*		2	
12		MAT01663000		PUSH AUXILIARY REAR PLATE				*		1	
13		MAT01652000		SWITCH INSTALLING PLATE				*		1	
14		MAT01653000		SWITCH PUSH PLATE				*		1	
15		MAT03220000		SWITCH COVER				*		1	
16		SM4031401SC		SCREW M3X0.5 L=14				*		1	
17		MAT03902000		PUSH AUXILIARY PLATE				*		1	
18		SM4031601SC		SCREW M3 L=16				*		1	
19		MAT80120T00		MICROSWITCH				*		1	
20		WP0330501SB		WASHER M3				*		1	
21		WZ0541510KP		WAVED WASHER 5.4X9.0X0.3				*		1	
22		MAT00614000		SWITCH STOPPER				*		1	
23		MAT00615000		STOPPER COLLAR				*		1	
24		WP0320500SC		WASHER M3				*		1	
25		WT0320001KN		WASHER				*		1	
26		G5066110000		CORD HOLDER						1	
27		EA9500B0100		CABLE BAND						2	
28		G5182120000		SPIRAL TUBE						.2	
29	R	40029548	40095093	SENSOR ASM.						1	1.00
30		40022695		SENSOR BASE						1	
31	R	40029549	40095094	REFLECTOR						2	1.00
32		SM6021000TP		SCREW						4	
33		SS3090710TP		SCREW 9/64-40 L=7						2	
34		MAT04005000		MAGNET BASE						1	
35		40042867		PEDAL SENSOR						1	
36		SS7110840SP		SCREW 11/64-40 L=7.8						1	
37		MAT032130A0		CONNECTING ROD ASM.						1	
38		B3538112000		OIL RETURN TUBE HOLDER				*		1	
39		MAT03210000		PEDAL SWITCH INSTALLING BASE				*		1	
40		SL4030681SC		SCREW M3 L=6				*		1	
41		SM1020801SN		SCREW M2 L=8				*		1	

SENSOR & TENSION RELEASE MAGNET COMPONENTS

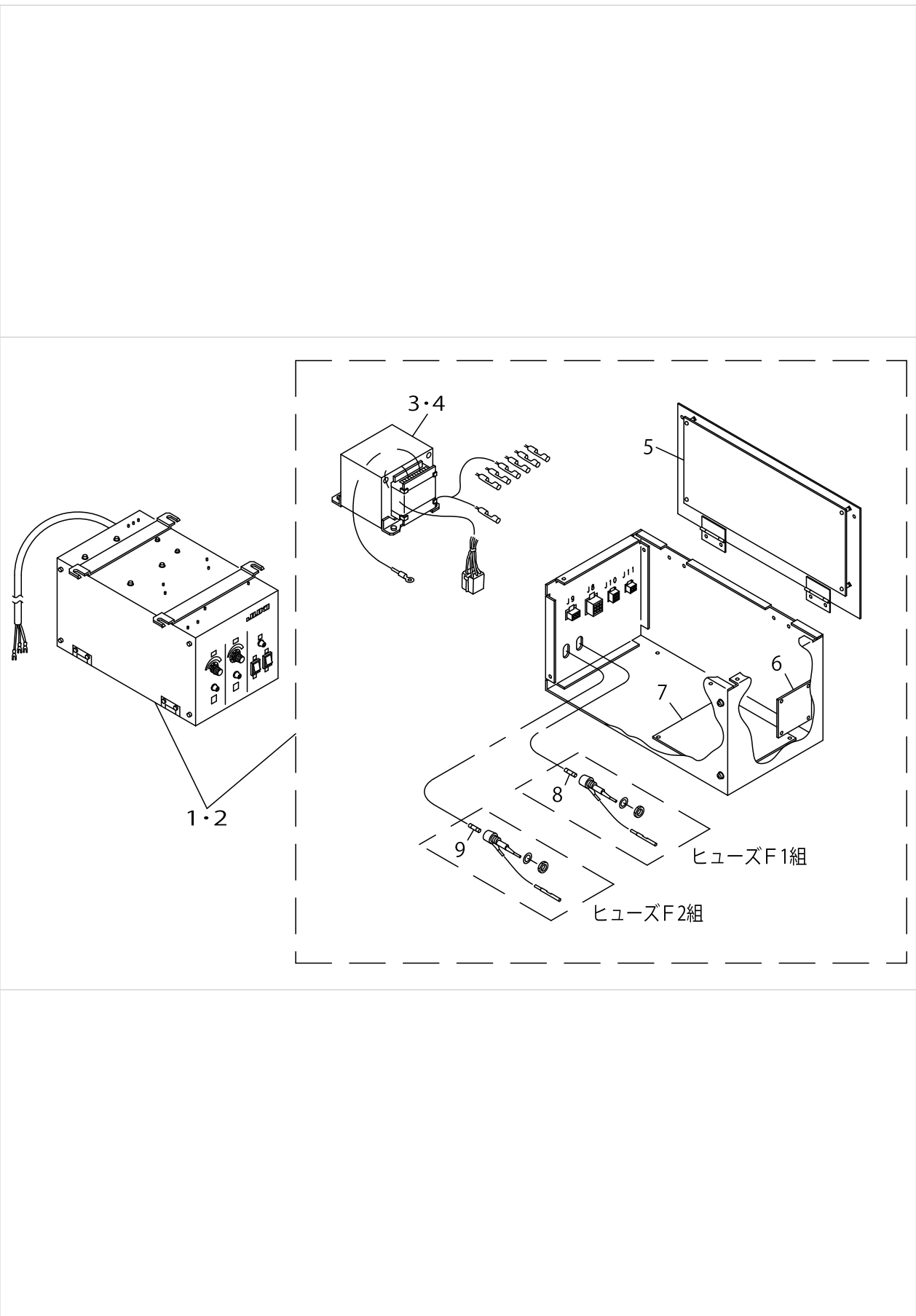
3. SENSOR & TENSION RELEASE MAGNET COMPONENTS センサー・糸ゆるめマグネット関係



SENSOR & TENSION RELEASE MAGNET COMPONENTS

No.	Supply Code	Parts No.	Replacement	Parts name	Remarks	Choice	Step	Level	Cons	Qty	Rep. QTY
42		SL4030681SC		SCREW M3 L=6				*		2	
43		MAT03211000		MAGNET INSTALLING BASE				*		1	
44		SM9060813SE		SCREW M6 L=8				*		2	
45		MAT03212000		MAGNET MOUNTING PLATE				*		1	
46		F1006004000		STOPPER				*		1	
47		SM9060813SE		SCREW M6 L=8				*		1	
48		MAT01266000		MAGNET				*		1	
49		MAT81137TA0		JOINT BAR B ASM.				*		1	
50		NM6060003SC		NUT M6				*		2	
51		F10050040A0		JOINT BAR ASM.				*		1	
52		NM6060001SE		NUT M6				*		2	
53		D7130555B00		SPRING				*		1	
54		SS6090610SP		SCREW 9/64-40 L=5.5						1	
55		SS3090710TP		SCREW 9/64-40 L=7						1	

CONTROL BOX COMPONENTS



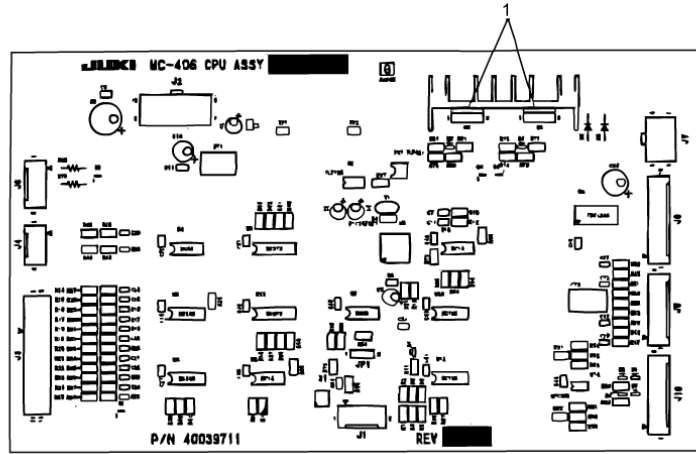
CONTROL BOX COMPONENTS

No.	Supply Code	Parts No.	Replacement	Parts name	Remarks	Choice	Step	Level	Cons	Qty	Rep. QTY
1		40042680		CONTROL BOX A COMPLETE	FOR 100V,- 115V,200V					1	
2		40042681		CONTROL BOX B COMPLETE	FOR 220V,- 240V,380V,- 415V,440V					1	
3		40042494		POWER SOURCE T- RANSFORMER A ASM	FOR 100V,- 115V,200V			*		1	
4		40042496		POWER SOURCE T- RANSFORMER B ASM	FOR 220V,- 240V,380V,- 415V,440V			*		1	
5		40039712		CPU PCB ASSY				*		1	
6		40039714		ROTARY SW PCB ASSY				*		1	
7		40039716		POWER PCB ASSY				*		1	
8		E8523304000		FUSE 10A				*		1	
9		E9602701000		FUSE 4A				*		1	

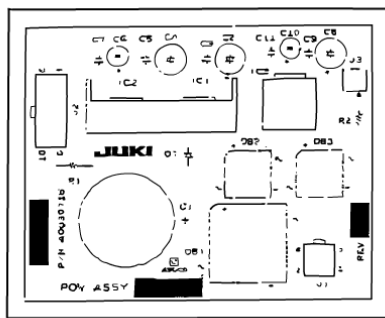
PRINTED CIRCUIT BOARD COMPONENTS

5. PRINTED CIRCUIT BOARD COMPONENTS

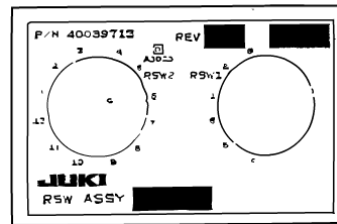
基板關係



CPU 基板組



電源基板組

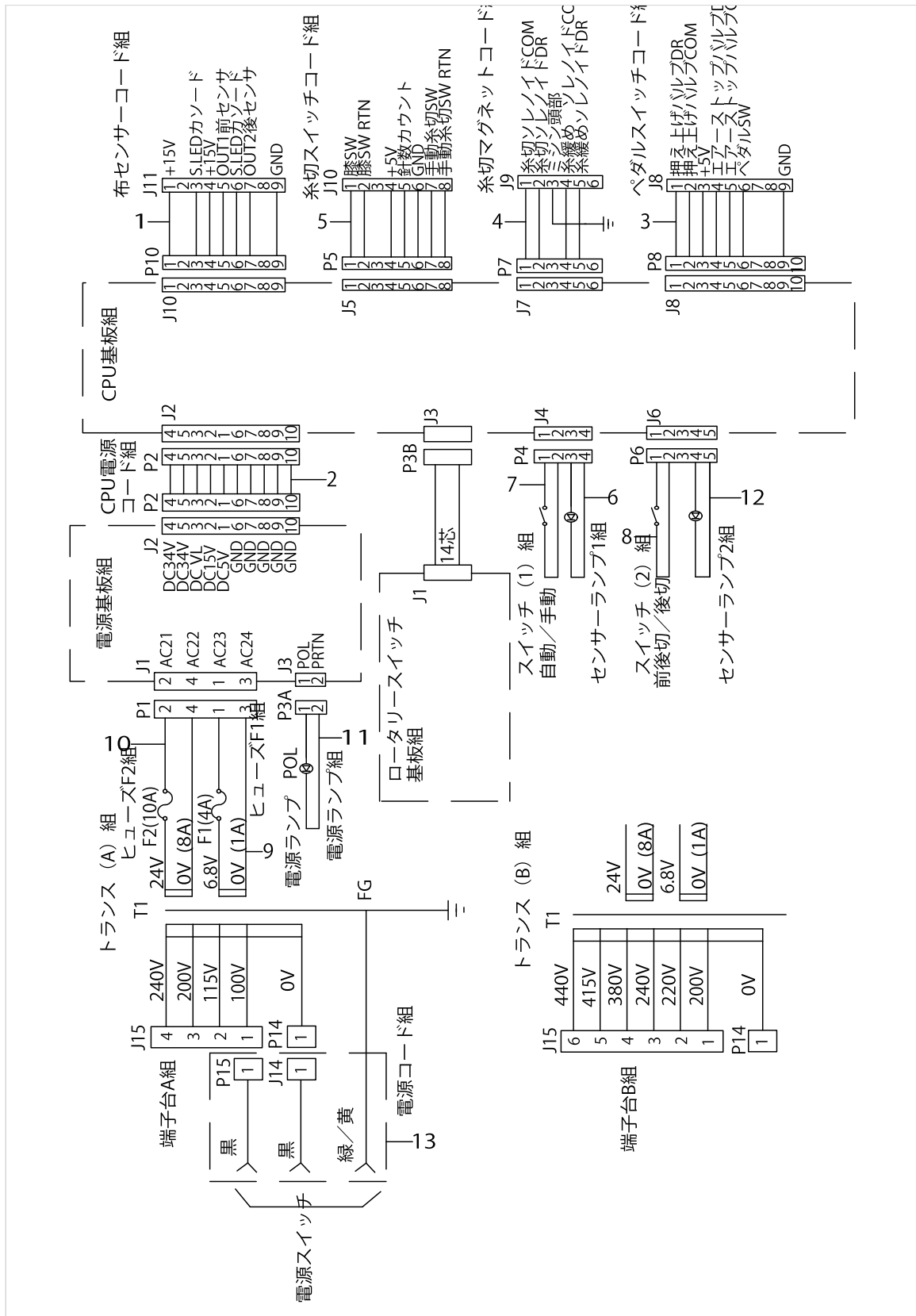


R SW 基板組

PRINTED CIRCUIT BOARD COMPONENTS

No.	Supply Code	Parts No.	Replacement	Parts name	Remarks	Choice	Step	Level	Cons	Qty	Rep. QTY
1		HT005940000		FET				*		2	

WIRING DIAGRAM



WIRING DIAGRAM

No.	Supply Code	Parts No.	Replacement	Parts name	Remarks	Choice	Step	Level	Cons	Qty	Rep. QTY
1		40042247		CLOTH SENSOR CORD ASM.				*		1	
2		40042254		CPU POWER SOURCE CORD ASM.				*		1	
3		40042388		PEDAL SWITCH CORDE ASM.				*		1	
4		40042389		THREAD CUTTER M-AGNET CORD ASM.				*		1	
5		40042390		THREAD CUTTER S-WITCH CORD ASM.				*		1	
6		40042684		SENSORLAMP 1 ASM.				*		1	
7		40042685		SWITCH 1 ASM.				*		1	
8		40042686		SWITCH 2 ASM.				*		1	
9		40042687		FUSE F1 ASM.				*		1	
10		40042688		FUSE F2 ASM.				*		1	
11		40042689		POWER SOURCE LAMP ASM.				*		1	
12		40043104		SENSORLAMP 2 ASM.				*		1	
13	D	M85131400A0A		POWER SOURCE CORD ASM.				*		1	

HOW TO MAKE USE OF THIS PARTS LIST

1.As to "#01" and "#02" refer to the "Note" given at the bottom of the respective pages.

2.Codes on the "Qty" column

- Each numeral indicates the number of parts required.
- "0.1" and "2.5" indicate the length (in meters) of the respective parts.

3.Parentheses mean that the corresponding part is a subpart that constructs an assembly part.

4.Dotted lines on the Figures indicate assembly parts.

1. リストページの# 0 1、# 0 2の印は、ページ下の"注記"の説明を参照下さい。
2. 数量欄の数字は、個数を表し、0. 1、2. 5等の数値は、長さ（単位メートル）を表します。
3. 数量欄の（ ）は、組部品を構成している子部品であることを意味します。
4. イラストページの-----枠は、組構成であることを意味します。

NUMERICAL INDEX OF PARTS

PART NO	PAGE	REF NO.	PART NO	PAGE	REF NO.	PART NO	PAGE	REF NO.
40009721	8	4	40043905	2	1·2·5·6·9·10- ·13·14	MAT03202000	4	27
40022695	8	30				MAT03210000	8	39
40029548	8	29	40043906	2	3·4·7·8·11·1- 2·15·16	MAT03211000	10	43
40029549	8	31				MAT03212000	10	45
40039712	12	5	40043907	2	3·4·7·8·11·1- 2·15·16	MAT032130A0	8	37
40039714	12	6	40043908	2	1·2·5·6·9·10- ·13·14	MAT03218000B	4	13
40039716	12	7				MAT03219000	4	6
40042247	16	1	40043909	2	1·2·5·6·9·10- ·13·14	MAT03220000	8	15
40042254	16	2				MAT03902000	8	17
40042388	16	3	40043910	2	3·4·7·8·11·1- 2·15·16	MAT04001000	6	48
40042389	16	4				MAT04005000	8	34
40042390	16	5	40043911	2	3·4·7·8·11·1- 2·15·16	MAT04007000	6	57
40042494	12	3·4	B21160190A0	4	15	MAT80102T00	4	34
40042496	12	3·4	B2526704000	4	4	MAT80105T00	4	40
40042572	4	7	B3538112000	8	38	MAT80106T00	4	42
40042680	12	1·2	CQ200000000	4	16	MAT80114T00	4	8
40042681	12	1·2	D2611555B0B	4	19	MAT80115T00	4	10
40042684	16	6	D7130555B00	10	53	MAT80120T00	8	19
40042685	16	7	E8523304000	12	8	MAT81102T00A	4	45
40042686	16	8	E9602701000	12	9	MAT81104T00	6	55
40042687	16	9	EA9500B0100	8	27	MAT81104T0B	6	56
40042688	16	10	F10050040A0	10	51	MAT81104TA0	6	52
40042689	16	11	F1006004000	10	46	MAT81105T00	6	53
40042743	4	1	G5066110000	8	26	MAT81106T00	6	54
40042863	8	10	G5182120000	8	28	MAT81123T00A	8	7
40042864	4	26	HT005940000	14	1	MAT81124T00A	8	5
40042865	4	28	M85131400A0A	16	13	MAT81125T00A	8	3
40042866	8	1	MAT00504000	4	39	MAT81132T00	4	2
40042867	8	35	MAT00505000	4	43	MAT81137TA0	10	49
40043104	16	12	MAT005060A0	4	36	NM6040001SE	4	11
40043894	2	1·2·5·6·9·10- ·13·14	MAT00509000	4	17	NM6060001SE	10	52
40043897	2	1·2·5·6·9·10- ·13·14	MAT00614000	8	22	NM6060003SC	10	50
40043898	2	3·4·7·8·11·1- 2·15·16	MAT00615000	8	23	NS6090310SP	6	51
40043899	2	3·4·7·8·11·1- 2·15·16	MAT01266000	10	48	RE0300000K0	4	9
40043900	2	1·2·5·6·9·10- ·13·14	MAT01501000A	4	33	SD0500481TP	4	38
40043901	2	1·2·5·6·9·10- ·13·14	MAT015010A0A	4	32	SL4030681SC	8	42
40043902	2	3·4·7·8·11·1- 2·15·16	MAT01601000B	4	31	SL4030681SC	10	42
40043903	2	3·4·7·8·11·1- 2·15·16	MAT01603000	6	46	SM1020801SN	4	29
40043904	2	1·2·5·6·9·10- ·13·14	MAT01603A00	6	47	SM1020801SN	8	41
			MAT016110A0	4	23	SM4030401SC	8	2
			MAT01631000	8	6	SM4030601SN	4	24
			MAT01633000	8	8	SM4030601SN	8	9
			MAT01652000	8	13	SM4031401SC	8	16
			MAT01653000	8	14	SM4031601SC	8	18
			MAT01663000	8	12	SM4040601SB	4	3

NUMERICAL INDEX OF PARTS

PART NO	PAGE	REF NO.
SM4041001SB	4	14
SM4860501SC	8	11
SM6021000TP	8	32
SM9060813SE	10	47
SS3060410SP	4	44
SS3090710TP	8	55
SS3090710TP	10	55
SS4080610SP	4	35
SS4090615SP	4	18
SS5090610SP	6	49
SS6090610SP	10	54
SS6090630SP	4	5
SS6090810SP	4	50
SS6090810SP	6	50
SS6120940SP	6	58
SS7090850SP	4	20
SS7110840SP	8	36
SS9151630CP	4	30
WP0320500SC	8	24
WP03305000E	4	25
WP0330501SB	8	20
WP0510516SD	4	41
WS0411002KB	4	12
WT0320001KN	8	25
WZ0420350KP	4	22
WZ0541510KP	8	21