

MODEL : AE-6
List No : 0972-03

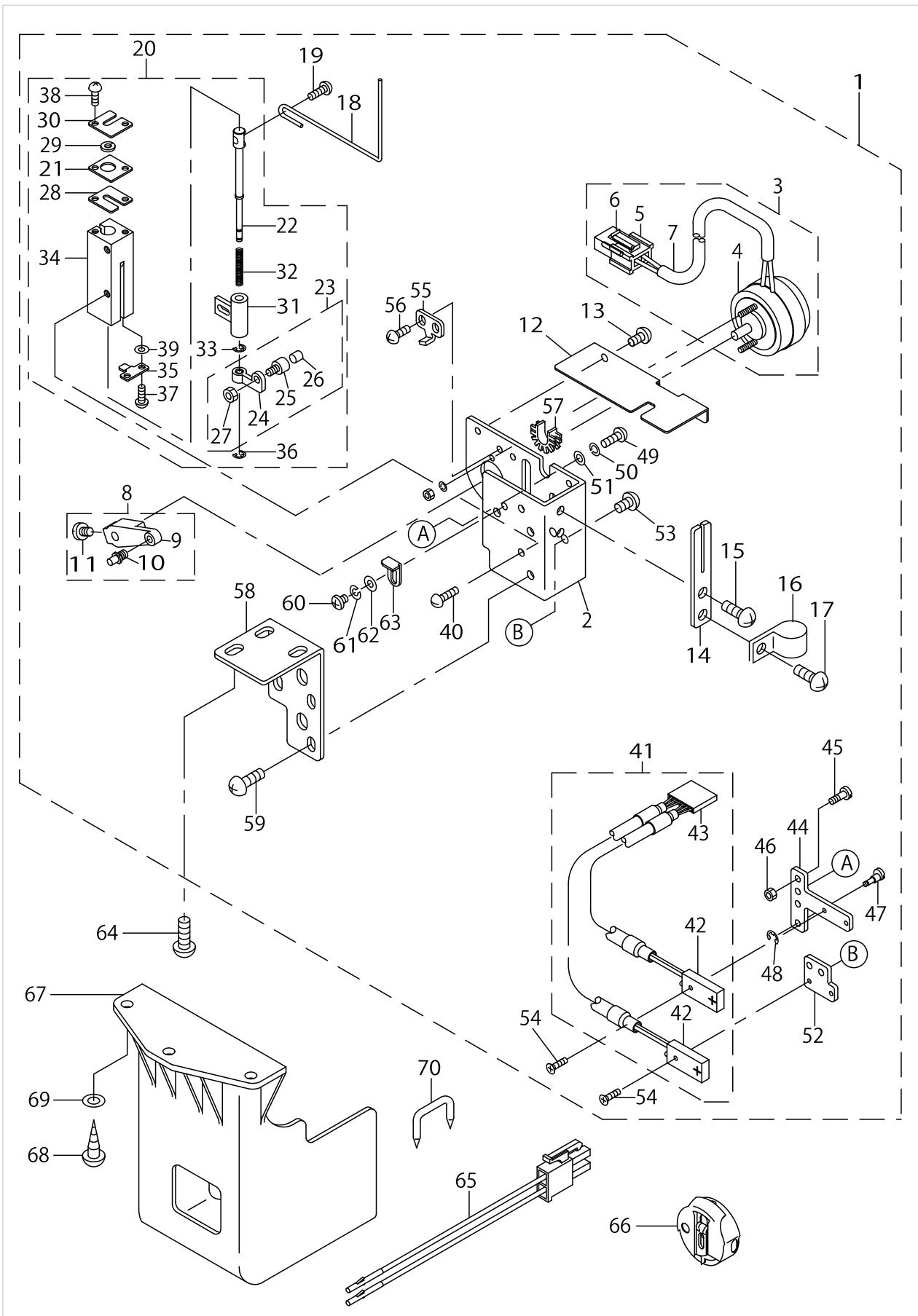
PARTS LIST

Published:05/12/2017

CONTENTS

COMPONENTS	1
HOW TO MAKE USE OF THIS PARTS LIST	5

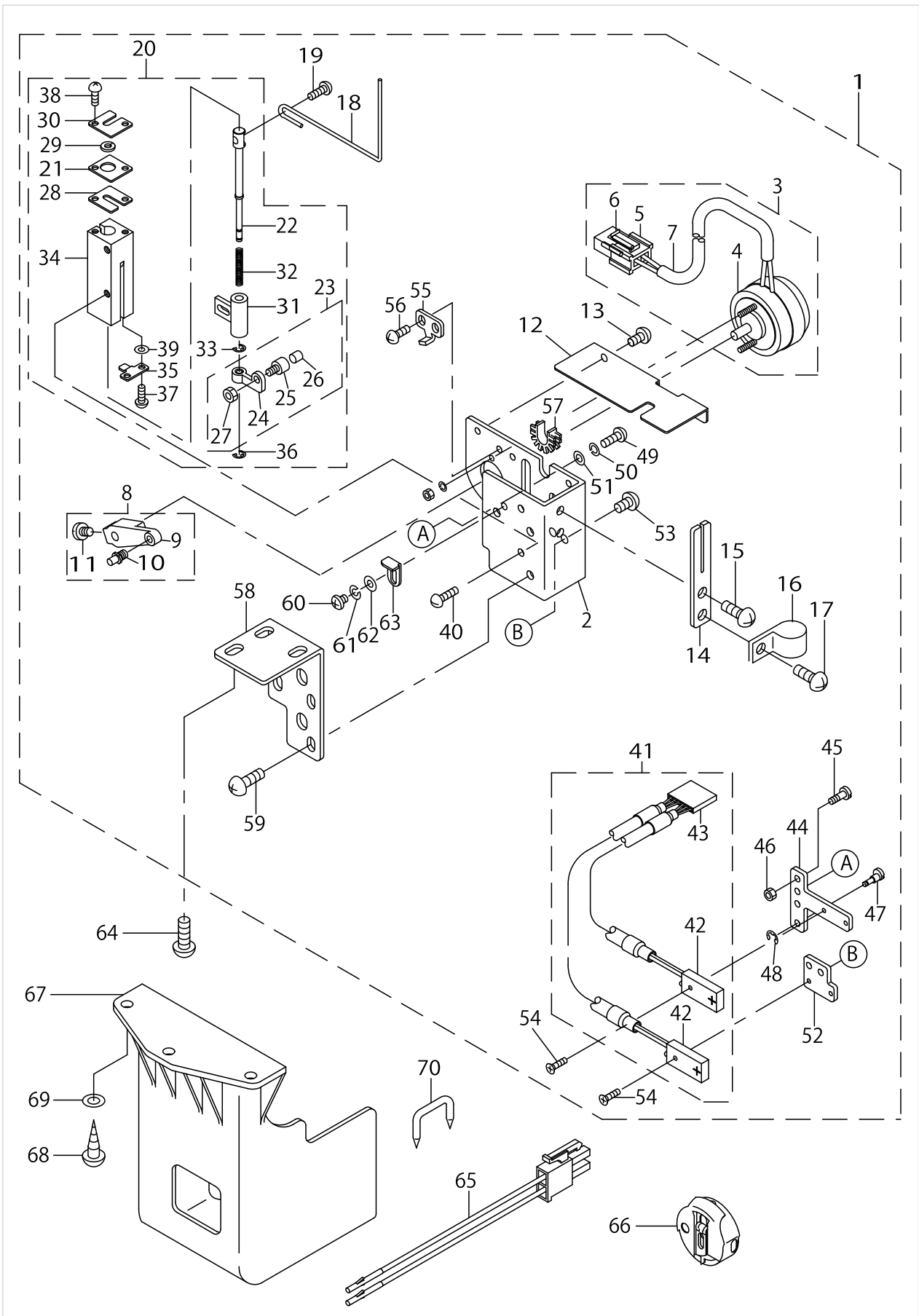
COMPONENTS



COMPONENTS

No.	Supply Code	Parts No.	Replacement	Parts name	Remarks	Choice	Step	Level	Cons	Qty	Rep. QTY
1		GAE060100A0		DRIVINGDEVICEASM.						1	
2		GAE06010000		BASE				*		1	
3	D	GAE060110A0		SOLENOID ASM.				*		1	
4		GAE06011000		ROTARY SOLENOID				*		1	
5		HK034620020		2P PLUG				*		1	
6		HK034630000		TERMINAL				*		2	
7		E8760452H00		TUBE				*		1.1	
8		GAE060120A0		SOLENOID ARM ASM.				*		1	
9		GAE06012000		SOLENOID ARM				*		1	
10		GAE03013000		SOLENOID ARM PIN				*		1	
11		SS6090810SP		SCREW 9/64-40 L=7.5				*		1	
12		GAE06014000		TOP COVER				*		1	
13		SS4080415SP		SCREW 1/8-44 L=4				*		2	
14		GAE06016000		GUIDE				*		1	
15		SS4110515SP		SCREW 11/64-40 L=5				*		1	
16		MAZ02508000		CORD HOLDER				*		1	
17		SS4110715SP		SCREW 11/64-40 L=7				*		1	
18		GAE06017000		WIRE				*		1	
19		SS4080415SP		SCREW 1/8-44 L=4				*		1	
20		GAE060260A0		DETECTING ROD GUIDE ASM.				*		1	
21		GAE06019000		DETECTING ROD FELT GUIDE				*		1	
22		GAE06020000		DETECTING ROD				*		1	
23		GAE060230A0		MAGNET PLATE ASM.				*		1	
24		GAE03023000		MAGNET PLATE				*		1	
25		GAE03024000		MAGNET BASE				*		1	
26		MAL01129000		MAGNET				*		1	
27	D	NM6030001MZ		NUT M3X0.5				*		1	
28		GAE06027000		GUIDE PLATE, LOWER				*		1	
29		GAE06028000		DETECTING ROD FELT				*		1	
30		GAE06029000		GUIDE PLATE, UPPER				*		1	
31		GAE03021000		DETECTING ROD HOLDER				*		1	
32		GAE03022000		DETECTING ROD SPRING				*		1	
33		GAE03025000		E RING				*		1	
34		GAE03026000		DETECTING ROD GUIDE				*		1	
35	D	GAE03036000		DETECTING ROD STOPPER				*		1	
36		RE0150000K0		SNAP RING 1.5				*		1	
37		SS6060510TP		SCREW 3/32-56 L=4.5				*		2	
38		SS6060510TP		SCREW 3/32-56 L=4.5				*		2	
39		WP0280500SC		WASHER				*		2	
40	R	SS4080610SP	SS4080620TP	SCREW 1/8-44 L=6.4				*		2	1.00
41		GAE060330B0		SENSOR ASM.				*		1	
42		GAE060330A0		SENSOR ASM.				*		2	
43		HK049210060		HOUSING				*		1	
44		GAE06030000		ADJUSTING PLATE				*		1	
45	D	GAE03031000		SLIDE PIN				*		2	
46		NS6090310SP		NUT 9/64-40				*		2	

COMPONENTS



COMPONENTS

No.	Supply Code	Parts No.	Replacement	Parts name	Remarks	Choice	Step	Level	Cons	Qty	Rep. QTY
47		GAE03032000		ECCENTRIC PIN				*		1	
48		RE020000K0		E-RING				*		1	
49		SS7090610SP		SCREW 9/64-40 L=6				*		1	
50		WS0410002KP		SPRING WASHER				*		1	
51		WP0370316SD		WASHER 3.7X8X0.3				*		1	
52		GAE06034000		FITTING PLATE				*		1	
53		SS4080415SP		SCREW 1/8-44 L=4				*		2	
54		10621803		MOUNTING SCREW				*		2	
55		GAE03018000		DRIVING LINK STOPPER A				*		1	
56		SS4080415SP		SCREW 1/8-44 L=4				*		2	
57		GAE06035000		BUSH				*		2	
58		GAE06037000		FITTING PLATE				*		1	
59		SS4110515SP		SCREW 11/64-40 L=5				*		3	
60		SS4080415SP		SCREW 1/8-44 L=4				*		1	
61		WS0310002KR		SPRING WASHER 3.1X5.9X0.7				*		1	
62		WP0330500MB		WASHER 3.3X6X0.5				*		1	
63		11898103		PRESSER FOOT AUXILIARY PLATE				*		1	
64		SS4120915SP		SCREW 3/16-28 L=9				*		3	
65		GAE040430A0		SOLENOID CORD ASM.				*		1	
66	D	GAE060390B0		BOBBIN CASE ASM.				*		1	
67		GAE06038000		DRIVING DEVICE COVER				*		1	
68		SK3412001SC		WOOD SCREW D=4.1 L=20				*		3	
69		WP0430801SC		WASHER M4				*		3	
70		MAO11532000		CORD STAPLE				*		4	

HOW TO MAKE USE OF THIS PARTS LIST

1.As to "#01" and "#02" refer to the "Note" given at the bottom of the respective pages.

2.Codes on the "Qty" column

- Each numeral indicates the number of parts required.
- "0.1" and "2.5" indicate the length (in meters) of the respective parts.

3.Parentheses mean that the corresponding part is a subpart that constructs an assembly part.

4.Dotted lines on the Figures indicate assembly parts.

1. リストページの# 0 1、# 0 2の印は、ページ下の"注記"の説明を参照下さい。
2. 数量欄の数字は、個数を表し、0. 1、2. 5等の数値は、長さ（単位メートル）を表します。
3. 数量欄の（ ）は、組部品を構成している子部品であることを意味します。
4. イラストページの-----枠は、組構成であることを意味します。

NUMERICAL INDEX OF PARTS

PART NO	PAGE	REF NO.	PART NO	PAGE	REF NO.
10621803	4	54	NM6030001MZ	2	27
11898103	4	63	NS6090310SP	2	46
E8760452H00	2	7	RE0150000K0	2	36
GAE03013000	2	10	RE0200000K0	4	48
GAE03018000	4	55	SK3412001SC	4	68
GAE03021000	2	31	SS4080415SP	2	60
GAE03022000	2	32	SS4080415SP	4	60
GAE03023000	2	24	SS4080610SP	2	40
GAE03024000	2	25	SS4110515SP	2	59
GAE03025000	2	33	SS4110515SP	4	59
GAE03026000	2	34	SS4110715SP	2	17
GAE03031000	2	45	SS4120915SP	4	64
GAE03032000	4	47	SS6060510TP	2	38
GAE03036000	2	35	SS6090810SP	2	11
GAE040430A0	4	65	SS7090610SP	4	49
GAE06010000	2	2	WP0280500SC	2	39
GAE060100A0	2	1	WP0330500MB	4	62
GAE06011000	2	4	WP0370316SD	4	51
GAE060110A0	2	3	WP0430801SC	4	69
GAE06012000	2	9	WS0310002KR	4	61
GAE060120A0	2	8	WS0410002KP	4	50
GAE06014000	2	12			
GAE06016000	2	14			
GAE06017000	2	18			
GAE06019000	2	21			
GAE06020000	2	22			
GAE060230A0	2	23			
GAE060260A0	2	20			
GAE06027000	2	28			
GAE06028000	2	29			
GAE06029000	2	30			
GAE06030000	2	44			
GAE060330A0	2	42			
GAE060330B0	2	41			
GAE06034000	4	52			
GAE06035000	4	57			
GAE06037000	4	58			
GAE06038000	4	67			
GAE060390B0	4	66			
HK034620020	2	5			
HK034630000	2	6			
HK049210060	2	43			
MAL01129000	2	26			
MAO11532000	4	70			
MAZ02508000	2	16			