

MODEL : DLU-5490N-7 SERIES

List No : 0906-11

# PARTS LIST

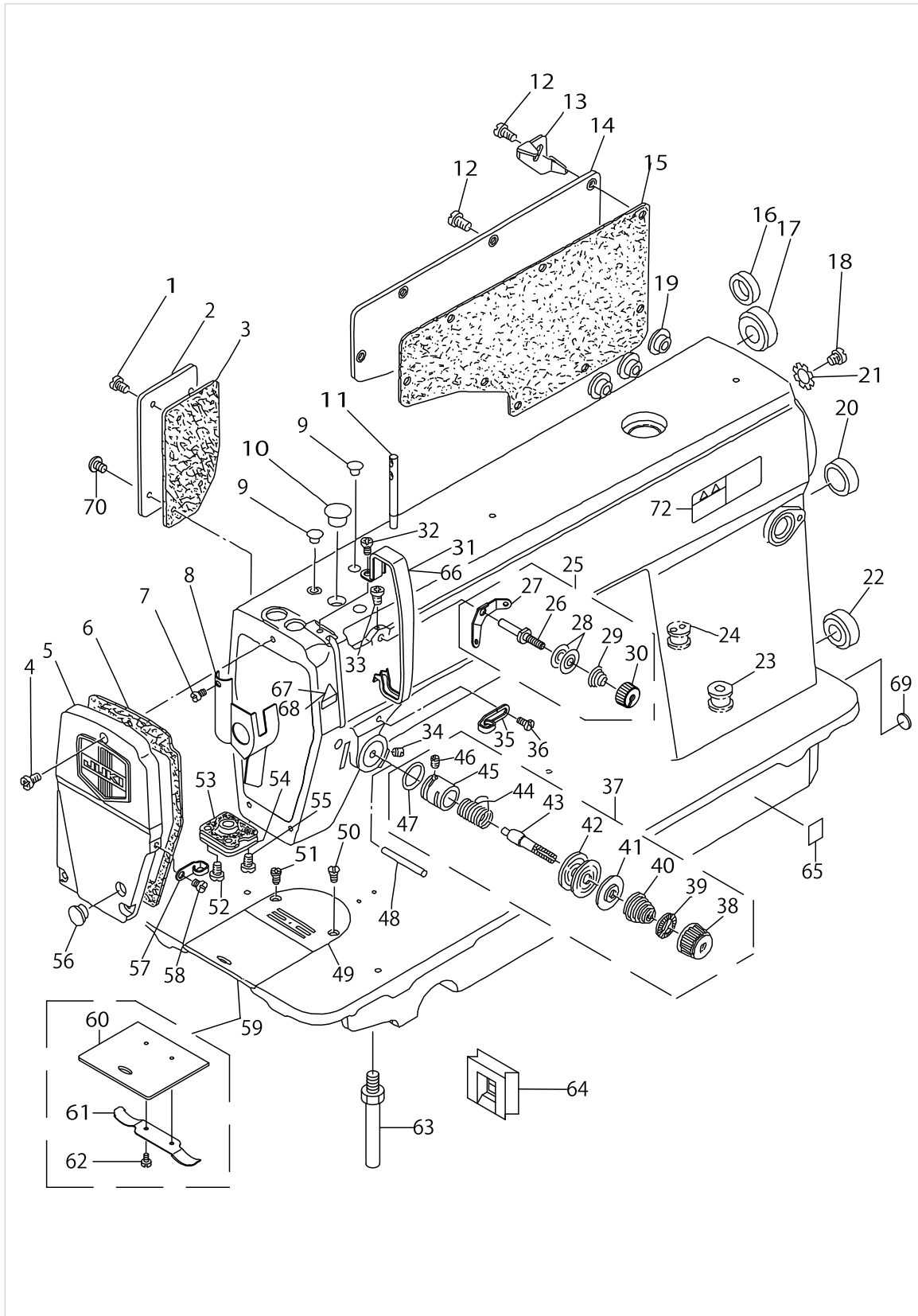
Published:05/12/2017

## CONTENTS

---

MACHINE FRAME & MISCELLANEOUS COVER COMPONENTS .....	1
MAIN SHAFT COMPONENTS .....	5
NEEDLE BAR, UPRIGHT SHAFT & HOOK DRIVING SHAFT COMPONENTS .....	7
HAND LIFTER COMPONENTS .....	11
FEED MECHANISM COMPONENTS.....	15
TOP FEED MECHANISM COMPONENTS (1).....	19
TOP FEED MECHANISM COMPONENTS (2).....	23
THREAD TRIMMER COMPONENTS .....	25
AUTOMATIC REVERSE FEED COMPONENTS.....	29
WIPER COMPONENTS.....	31
OIL LUBRICATION COMPONENTS .....	33
OIL RESERVOIR COMPONENTS .....	35
BELT COVER & BOBBIN WINDER COMPONENTS .....	37
THREAD STAND COMPONENTS.....	39
PF-6:PEDAL/KNEE PRESSER-CONTROLLED GATHERING MECHANISM(SPECIAL ORDER PARTS)	41
EXCLUSIVE PARTS FOR DLU-5490NE-7 .....	45
LIST FOR INFORMATION OF CHANGE (1).....	47
LIST FOR INFORMATION OF CHANGE (2).....	48
HOW TO MAKE USE OF THIS PARTS LIST .....	49

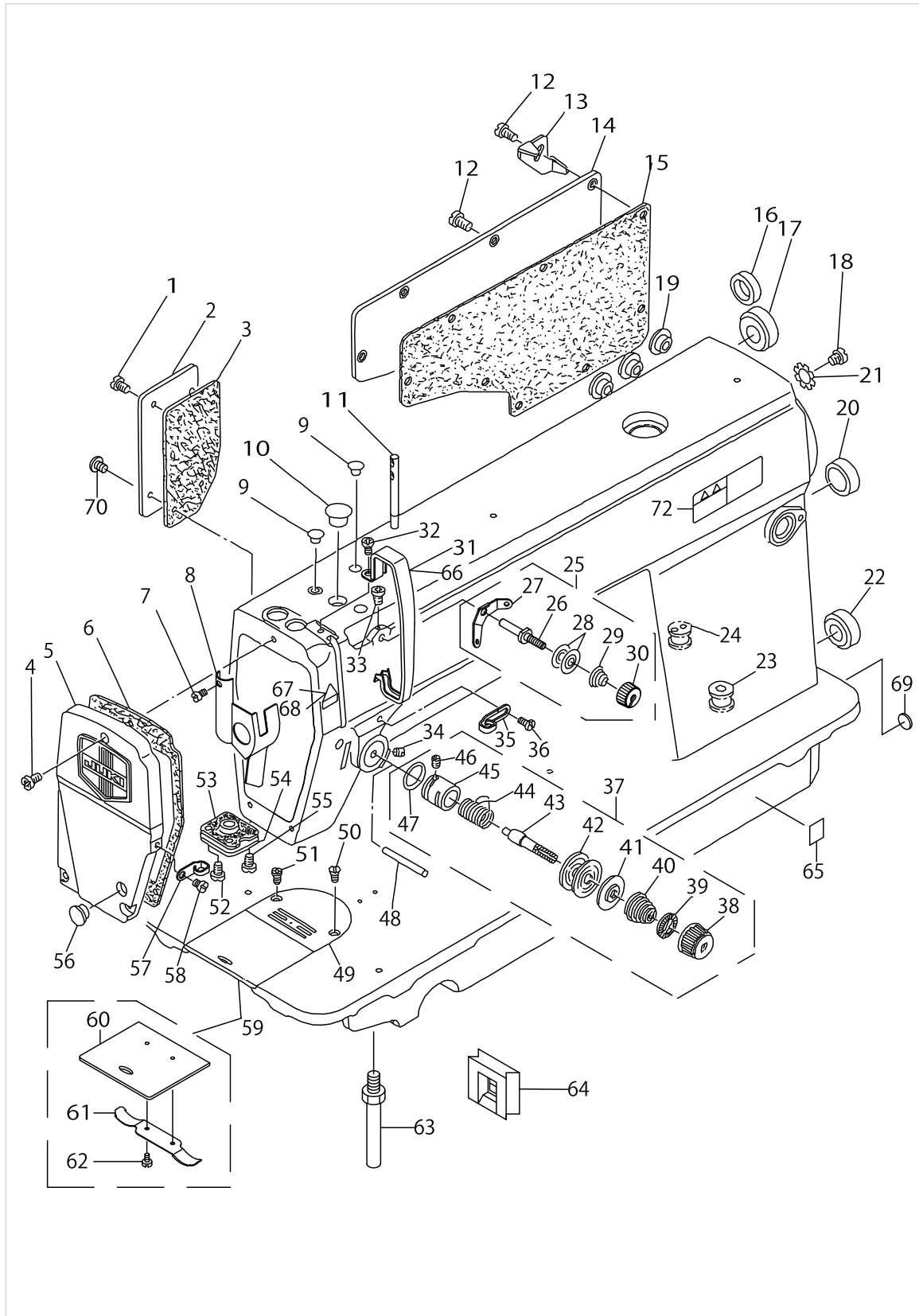
MACHINE FRAME & MISCELLANEOUS COVER COMPONENTS



MACHINE FRAME & MISCELLANEOUS COVER COMPONENTS

No.	Supply Code	Parts No.	Replacement	Parts name	Remarks	Choice	Step	Level	Cons	Qty	Rep. QTY
1		SS4120915SP		SCREW 3/16-28 L=9						3	
2		11255809		SIDE COVER						1	
3		11200607		GASKET						1	
4		SS4121015SP		SCREW 3/16-28 L=10						3	
5		11255650		FACE PLATE ASM.						1	
6		11200201		GASKET						1	
7		SS6080410SP		SCREW 1/8-44 L=4						1	
8		22900757		FACE PLATE OIL SHIELD ASM.						1	
9		TA0850604R0		RUBBER PLUG						2	
10		TA1250705R0		RUBBER PLUG						1	
11		22958300		NEEDLE THREAD GUIDE PIN						1	
12		SS4120915SP		SCREW 3/16-28 L=9						8	
13		22954705		CORD FIXING METAL FITTING						1	
14		22900401		WINDOW PLATE						1	
15		11003308		GASKET						1	
16		TA1470702R0		RUBBER PLUG						1	
17		TA2101002R0		RUBBER PLUG						1	
18		SS4120615SP		SCREW 3/16-28 L=6						1	
19		TA1470704R0		RUBBER PLUG						3	
20		TA2000502R0		RUBBER PLUG						1	
21		WT0530002KS		TOOTHED WASHER D=5.3						1	
22		TA2101002R0		RUBBER PLUG						1	
23		11030202		RUBBER BUSHING	FOR DLU-- 5490N-7-00					1	
24		40111022		MAGNET CORD RUBBER	FOR DLU-- 5490N-7-0B,-WB					1	
25		22945463		THREAD TENSION ASM. NO.1						1	
26	D	22945406		THREAD TENSION POST				*		1	
27	R	22945604	22963458	THREAD TENSION GUIDE		A	DDL8700H- -7/8700J-- 7/9000B, DLN6390-7	*		1	1.00
27	R	22945604	22945463	THREAD TENSION GUIDE		B	DDL8700-7 and so on	*		1	1.00
28		22945802		THREAD TENSION DISK				*		2	
29		22945505		THREAD TENSION SPRING				*		1	
30		22945703		THREAD TENSION NUT				*		1	
31		22900609		THREAD TAKE-UP LEVER COVER						1	
32		SS4120615SP		SCREW 3/16-28 L=6						1	
33		SS4120615SP		SCREW 3/16-28 L=6						1	
34		SS8150710TP		SCREW 15/64-28 L=7						1	
35		22920508		ARMTHREADGUIDEA						1	
36		22921001		SCREW						1	
37		11257359		THREAD TENSION ASM.						1	
38		22921308		THREAD TENSION NUT				*		1	
39		22921407		ROTATION STOPPER				*		1	
40		22921704		THREAD TENSION SPRING A				*		1	
41		22921803		DISK STOPPER				*		1	
42		22921506		THREAD TENSION DISK				*		2	
43		22921209		THREAD TENSION POST				*		1	

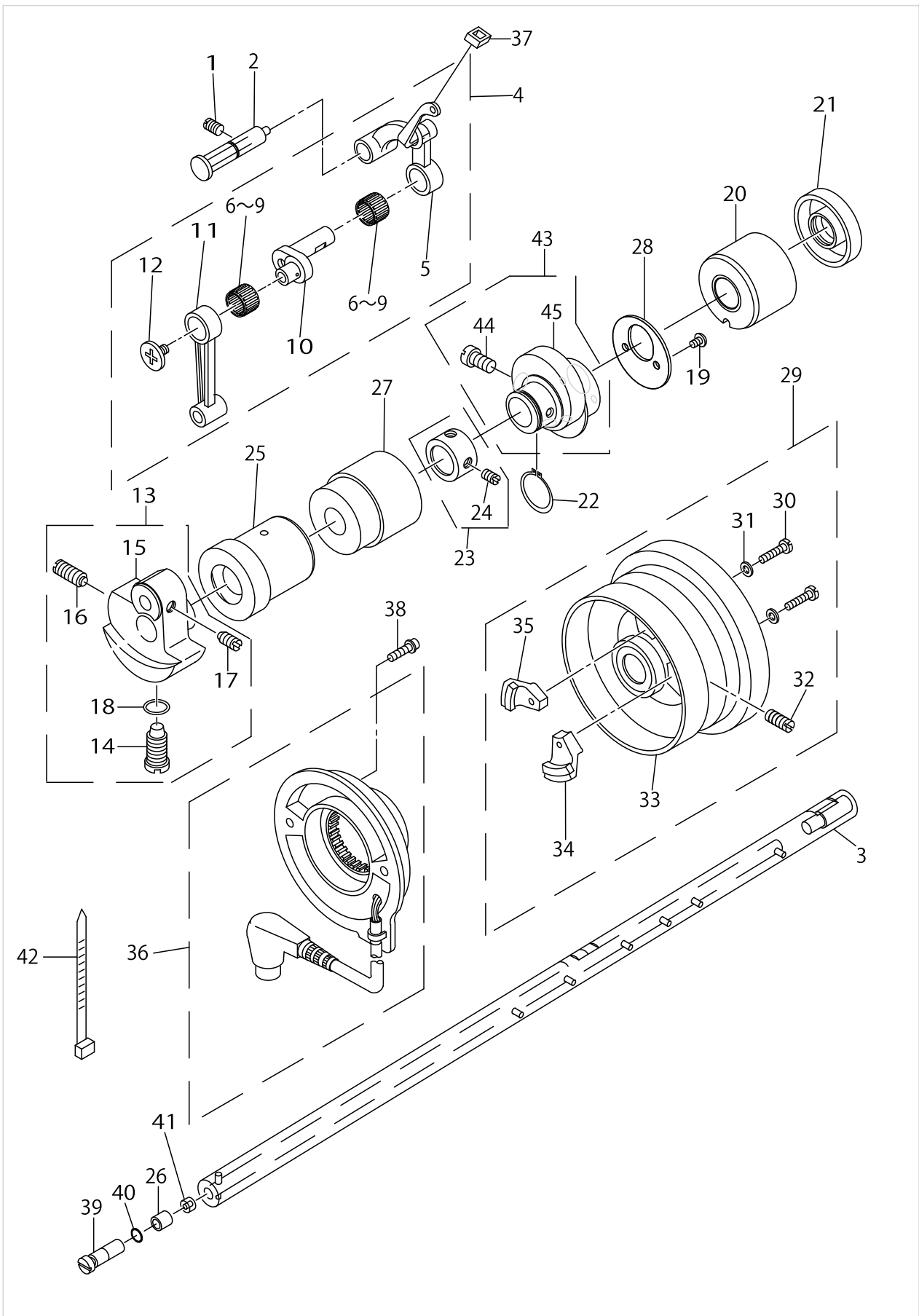
MACHINE FRAME & MISCELLANEOUS COVER COMPONENTS



MACHINE FRAME & MISCELLANEOUS COVER COMPONENTS

No.	Supply Code	Parts No.	Replacement	Parts name	Remarks	Choice	Step	Level	Cons	Qty	Rep. QTY
44		22921605		THREAD TAKE-UP SPRING				*		1	
45		11220209		TENSION POST SOCKET				*		1	
46		SS8090410SP		SCREW 9/64-40L=3.5				*		1	
47		RO133170100		RUBBER RING				*		1	
48		B3118552C00		TENSION RELEASE PIN C						1	
49		B1109450B0B		THROAT PLATE B						1	
50		SS2110915SP		SCREW 11/64-40 L=8.5						2	
51		B1191490000		SCREW	EXCHANGE PARTS					1	
52		SS1120710SP		SCREW 3/16-28 L=6.5						2	
53		11200409		GASKET						1	
54		11200300		PRESSER BAR SUPPORT						1	
55		11200805		PRESSER BAR SUP- PORT SCREW B						1	
56		TA1250406R0		RUBBER PLUG D=12.5 L=4						1	
57		22920607		ARM THREAD GUIDE B						1	
58		SS6110610TP		SCREW 11/64-40 L=6						1	
59		22901250		SLIDE PLATE ASM.						1	
60	R	22901201	22901250	SLIDE PLATE				*		1	1.00
61		22901300		SLIDE PLATE SPRING				*		1	
62		SS6060210SP		SCREW 3/32-56L=1.9				*		2	
63		22901003		BED SCREW STUD						4	
64		22935407		RUBBER PLATE						1	
65		40116677		GOST_SAFTY_LABEL S	FOR JE					1	
66		11415205		THREAD TAKE-UP LEVER COVER(JE)	FOR JE					1	
67		CM300200001		ATTENTION SEAL						1	
68		CM301300001		SAFETY LABEL						1	
69		22901805		GROUND MARK						1	
70		SS4120615SP		SCREW 3/16-28 L=6						1	

MAIN SHAFT COMPONENTS

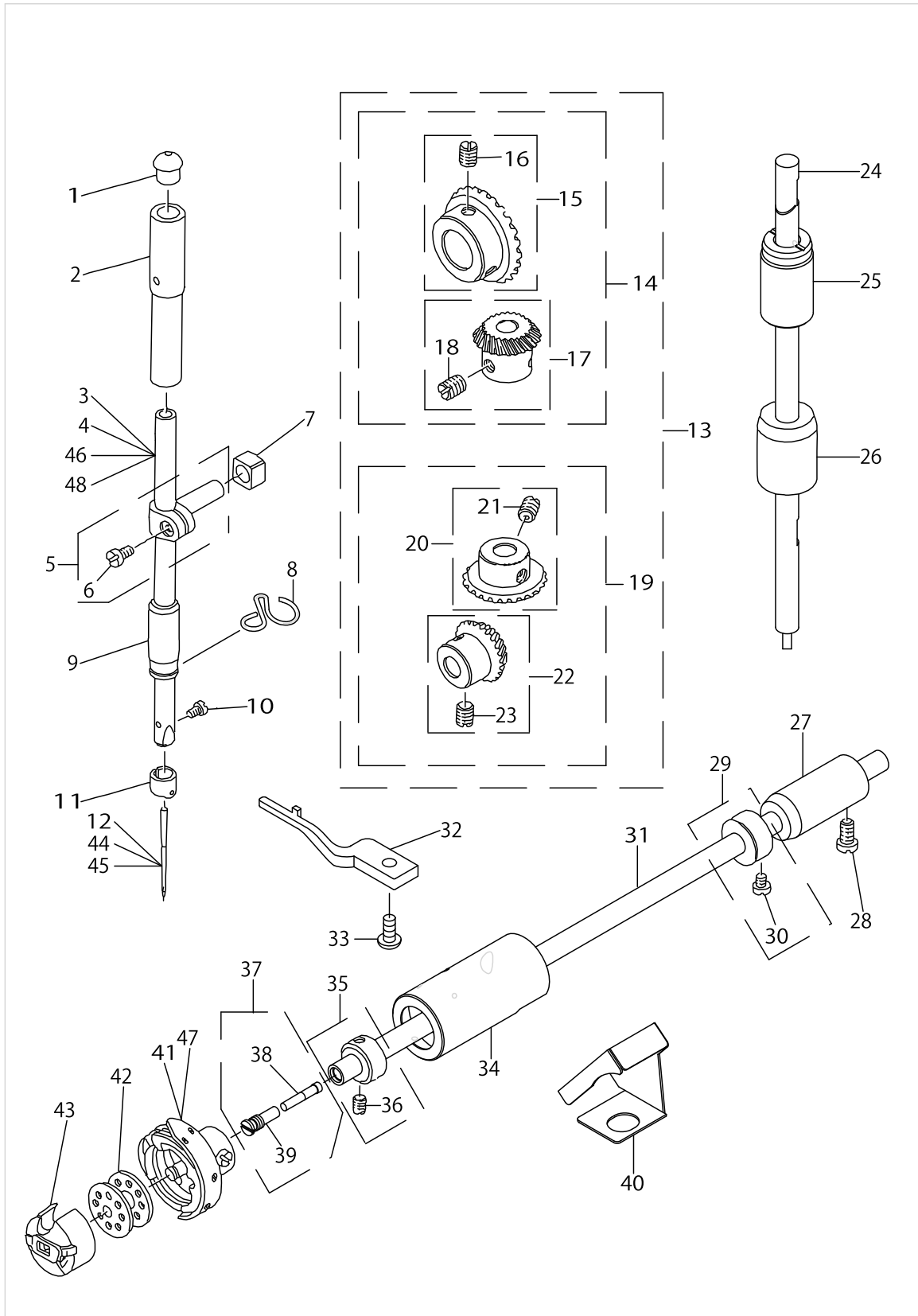


MAIN SHAFT COMPONENTS

No.	Supply Code	Parts No.	Replacement	Parts name	Remarks	Choice	Step	Level	Cons	Qty	Rep. QTY
1		SS8151150TP		SCREW 15/64-28 L=10.5						1	
2		11017357		THREAD TAKE-UP CRANK SHAFT ASM.						1	
3		11202009		MAIN SHAFT						1	
4		22918072		THREAD TAKE-UP LEVER COMPL.						1	
5	R	22918064	22918072	THREAD TAKE-UP LEVER ASM.				*		1	1.00
6		22918403		NEEDLE BEARING A	SELECTIVE PARTS			*		2	
7		22918502		NEEDLE BEARING B	SELECTIVE PARTS			*		2	
8		22918601		NEEDLE BEARING C	SELECTIVE PARTS			*		2	
9		22918700		NEEDLE BEARING D	SELECTIVE PARTS			*		2	
10		22918106		NEEDLE BAR CRANK				*		1	
11		22906606		NEEDLE BAR CRANK ROD				*		1	
12	R	22918304	B1903552000	LEFT SCREW				*		1	1.00
13		40095789		COUNTER WEIGHT_LU ASM.						1	
14		SS7681650TP		SCREW 9/32-28 L=16				*		1	
15		11202116		COUNTERWEIGHT				*		1	
16		SS8681650TP		SCREW 9/32-28 L=16				*		1	
17		SS8660610TP		SCREW 1/4-40 L=6				*		2	
18		RO044240100		RUBBER RING				*		1	
19		SS4090615SP		SCREW 9/64-40 L=6						2	
20		11002409		MAIN SHAFT BUSHING REAR						1	
21		40105231		OIL SEAL						1	
22		RC1850001KP		SNAP RING 18.5						1	
23		22904155		MAIN SHAFT THRU-ST COLLAR ASM.						1	
24		SS8660610TP		SCREW 1/4-40 L=6				*		2	
25		11202207		MAIN SHAFT BUSHING FRONT						1	
26		B1215552000		OIL ADJUSTING COLLAR						1	
27		11202306		BUSHING INTERMEDIATE						1	
28		22910103		THRUST COLLAR						1	
29	R	11256252	11256286	HAND WHEEL ASM.						1	1.00
30		SS6111210SP		SCREW 11/64-40 L=12				*		2	
31		WP0450801SD		WASHER 4.5X10X0.8				*		2	
32		SS8151550SP		SCREW 15/64-28 L=15				*		2	
33	R	11071453	11071495	HAND WHEEL ASM.				*		1	1.00
34		M40071100AA		MAGNET FITTING BASE A ASM.				*		1	
35	R	11225356	11256286	MAGNET BASE ASM.				*		1	1.00
36		22937965		DYNAMO STATOR						1	
37		22919203		OIL PROTECTING RUBBER						1	
38		SL4051001MZ		SCREW M5 L=9.6						2	
39		B1213552000A		OIL ADJUSTING PIN						1	
40		RO029180100		RUBBER RING						1	
41		B1226552000		ROLLER FELT						1	
42		HX000430000		CLIP						1	
43		22910053		FEED DRIVE ECCENTRIC CAM ASM.						1	
44		SS6661110SP		SCREW 1/4-40 L=11				*		2	
45	R	22910004	22910053	FEED DRIVE ECCENTRIC CAM				*		1	1.00



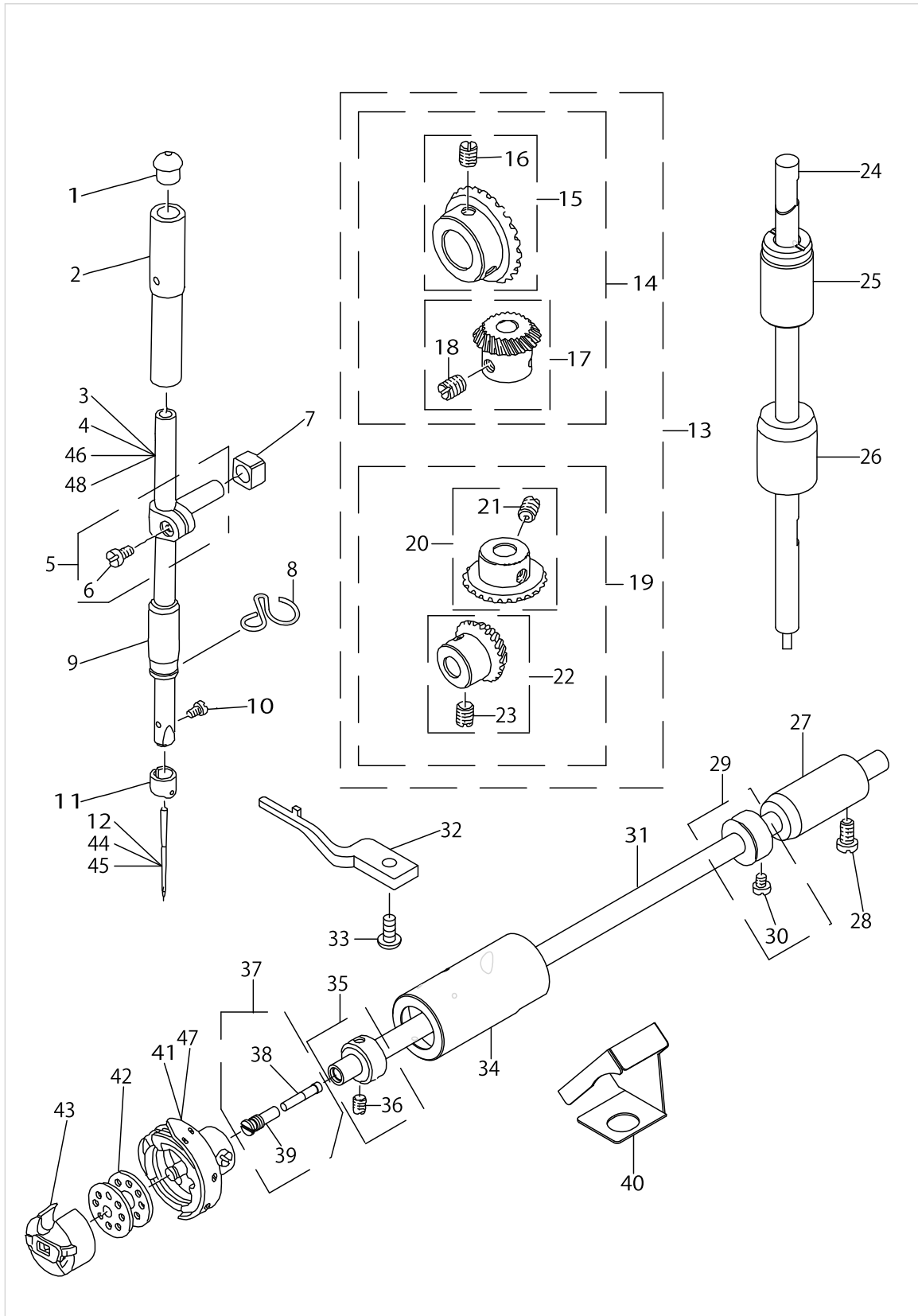
NEEDLE BAR, UPRIGHT SHAFT & HOOK DRIVING SHAFT COMPONENTS



NEEDLE BAR, UPRIGHT SHAFT & HOOK DRIVING SHAFT COMPONENTS

No.	Supply Code	Parts No.	Replacement	Parts name	Remarks	Choice	Step	Level	Cons	Qty	Rep. QTY
1		22901409		NEEDLE BAR UPPER BUSH CAP						1	
2		22906101		NEEDLE BAR BUSHING UPPER						1	
3		11035003		NEEDLE BAR						1	
4		11226107		NEEDLE BAR	FOR DLU-- 5490N-7-WB					1	
5		22906457		NEEDLE BAR HOLDER ASM.						1	
6		SS6090670TP		SCREW 9/64-40 L=6				*		1	
7		40090058		SLIDE BLOCK						1	
8		22920805		NEEDLE BAR THREAD GUIDE						1	
9		22906200		NEEDLE BAR BUSHING LOWER						1	
10		SS7080510TP		SCREW 1/8-44 L=4.5						1	
11		11226016		NEEDLE BAR THREAD GUIDE						1	
12		MDB100B1400		NEEDLE DBX1 #14						1	
13	R	B13061550C0	B13071550C0	GEAR & PINION ASM.						1	1.00
14		B13061550B0		GEAR & PINION ASM. UPPER				*		1	
15		B13050120A0		GEAR ASM.				*		1	
16		SS8660810TP		SCREW 1/4-40 L=8				*		2	
17		B13061550A0		PINION ASM.				*		1	
18		SS8660810TP		SCREW 1/4-40 L=8				*		2	
19		B13071550B0		GEAR & PINION ASM. LOWER				*		1	
20		B13071550A0		GEAR ASM. LARGE				*		1	
21		SS8660810TP		SCREW 1/4-40 L=8				*		2	
22		B13081550A0		PINION ASM.				*		1	
23		SS8660810TP		SCREW 1/4-40 L=8				*		2	
24		22905004		UPRIGHT SHAFT						1	
25		11203106		BUSHING UPPER						1	
26		11004207		UPRIGHT SHAFT BUSHING LOWER						1	
27		22916308		HOOK DRIVING SH- AFT BUSH REAR						1	
28		SS4120915SP		SCREW 3/16-28 L=9						1	
29		22917157		THRUST COLLAR ASM. REAR						1	
30		SS6110420TP		SCREW 11/64-40 L=4.8				*		2	
31		22916001		HOOK DRIVING SHAFT						1	
32	R	11038809	22942502	BOBBIN CASE HOLDER						1	1.00
33		SS4110915TP		SCREW 11/64-40 L=9						1	
34		22916100		HOOK DRIVING SH- AFT BUSH FRONT						1	
35		22917058		THRUST COLLAR ASM. FRONT						1	
36		SS8110410TP		SCREW 11/64-40 L= 3.5				*		2	
37		22916555		OILSEALSCREWASM.						1	
38		11015906		OIL WICK				*		1	
39		22916506		SET SCREW				*		1	
40		22942601		OIL SHIELD						1	
41		11038650		HOOK ASM.	FOR USE IN JAPAN					1	
42		22932909		BOBBIN						1	
43		11038759		BOBBIN CASE ASM.						1	
44		MC200500750		NEEDLE 134 NM75	FOR JE					1	
45		MDB100B1100		NEEDLE DBX1 #11	FOR USE IN JAPAN					1	

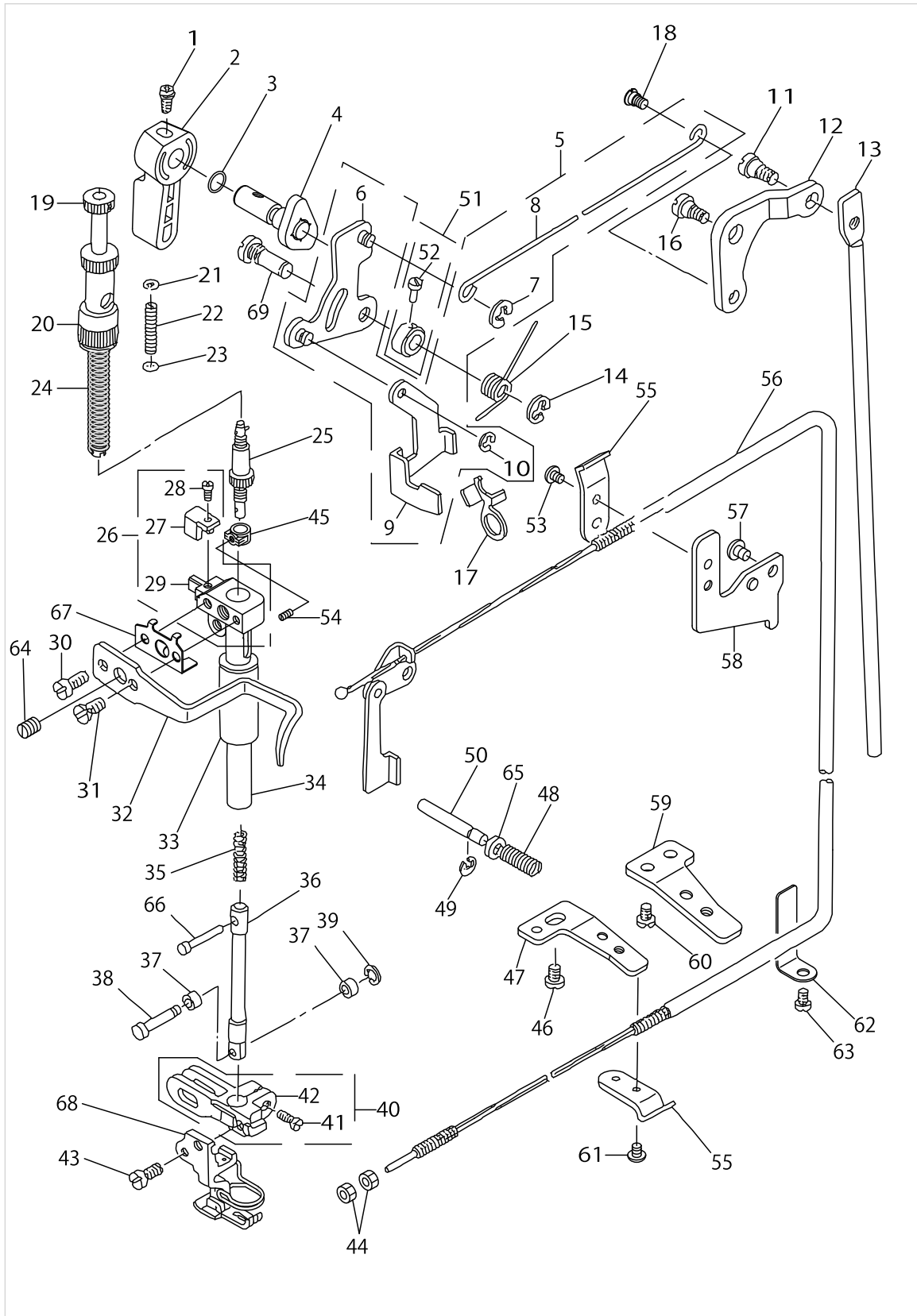
NEEDLE BAR, UPRIGHT SHAFT & HOOK DRIVING SHAFT COMPONENTS



NEEDLE BAR, UPRIGHT SHAFT & HOOK DRIVING SHAFT COMPONENTS

No.	Supply Code	Parts No.	Replacement	Parts name	Remarks	Choice	Step	Level	Cons	Qty	Rep. QTY
46		11240108		NEEDLE BAR	FOR DLU-- 5490N-7-WB(JE)					1	
47		11141355		HOOK ASM.						1	
48		11141207		NEEDLE BAR	FOR JE					1	

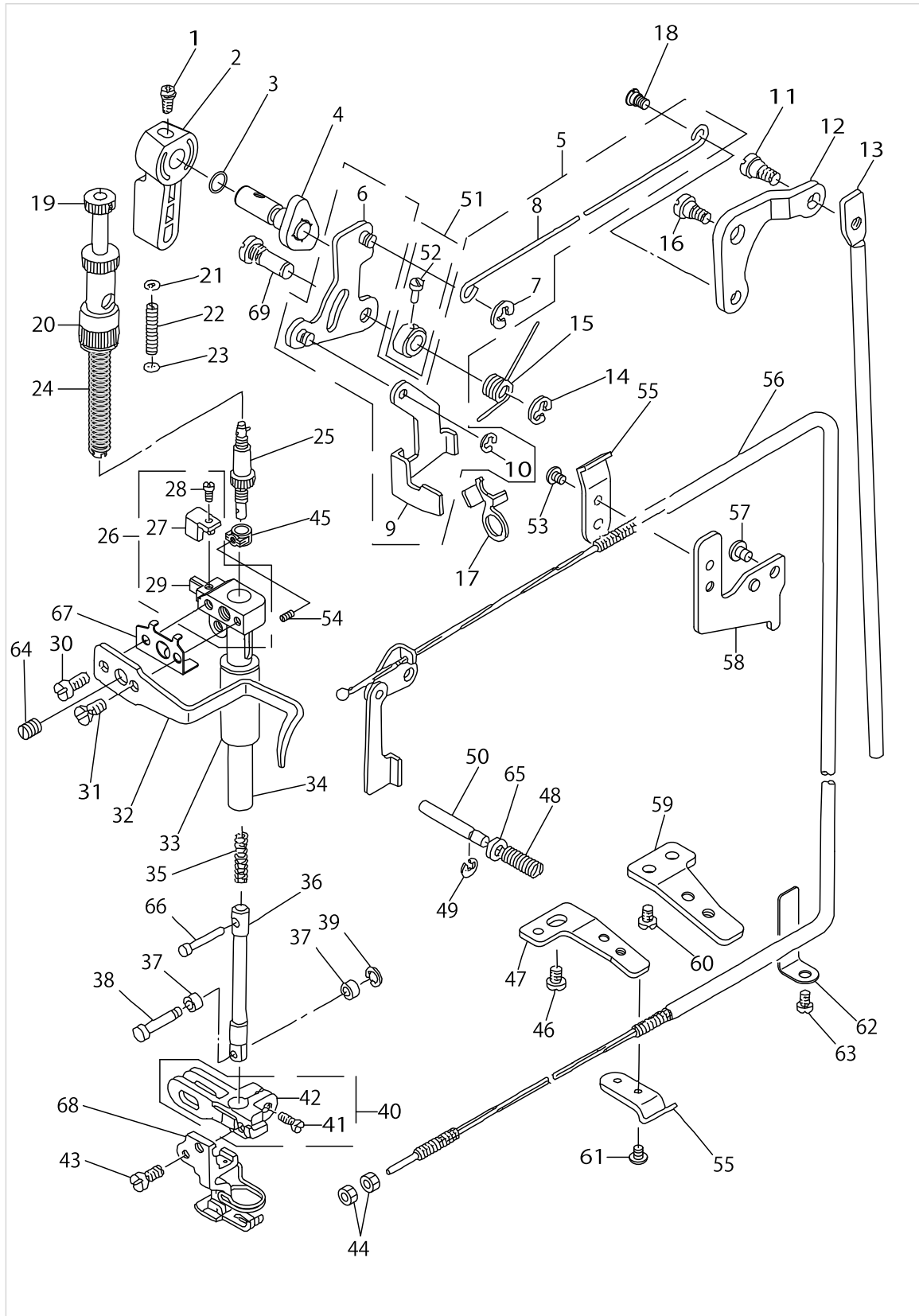
HAND LIFTER COMPONENTS



HAND LIFTER COMPONENTS

No.	Supply Code	Parts No.	Replacement	Parts name	Remarks	Choice	Step	Level	Cons	Qty	Rep. QTY
1		B1521555000		SCREW						1	
2		22907802		HAND LIFTER						1	
3		RO037180100		RUBBER RING						1	
4		22908552		HAND LIFTER CAM ASM.						1	
5		11205150		KNEE LIFTER SIDE ROD ASM.						1	
6	R	22908156	22908354	LIFTING LINK ASM.				*		1	1.00
7		RE0500000K0		E-RING				*		1	
8		22908305		KNEE LIFTER SIDE ROD				*		1	
9		11205101		LIFTING LEVER				*		1	
10		RE0500000K0		E-RING				*		1	
11		SD0600322SD		HINGE SCREW D=6 H=3.2						1	
12		11205309		LIFTING LEVER LINK						1	
13		11205408		CONNECTING ROD						1	
14		RE0500000K0		E-RING						1	
15		11230802		SPRING						1	
16		SD0720331SP		HINGE SCREW D= 7.24 H= 3.3						1	
17		11220100		TENSION RELEASE PLATE						1	
18		22908909		HINGE SCREW						1	
19		11204559		PRESSER SPRING REGULATOR ASM.						1	
20		11204609		NUT						1	
21		WP0650816SP		WASHER						1	
22		11205002		GUIDE BAR SPRING						1	
23		WP0661016SP		WASHER						1	
24		22907406		PRESSER SPRING						1	
25		11217353		CAP ASM.						1	
26		11204161		PRESSER ROD HOLDER ASM.						1	
27	R	11204211	11204161	BRACKET GUIDE				*		1	1.00
28		SS4080620TP		SCREW 1/8-44 L=6				*		1	
29	R	11204112	11204161	PRESSER BAR GUIDE BRACKET				*		1	1.00
30		SS7110910TP		SCREW 11/64-40 L= 8.5						1	
31		SS6090910SP		SCREW 9/64-40 L=9						1	
32		22907307		THREAD GUIDE						1	
33		11204401		BUSHING						1	
34		11204013		PRESSER BAR						1	
35		11217601		WALKING FOOT SPRING						1	
36		11230117		DRIVING BAR						1	
37		11217213		ROLLER						2	
38		11217114		ROLLER SHAFT						1	
39		RC0260415KP		SNAP RING						1	
40		11215258		PRESSER BAR BASE ASM.						1	
41		SS6121220TP		SCREW 3/16-28 L=11.5				*		1	
42	R	11215209	11215258	PRESSER BAR BASE				*		1	1.00
43		SS6121220TP		SCREW 3/16-28 L=11.5						1	
44		NS6620310SP		NUT 3/16-32						2	
45		11205507		PRESSER ROD STOPPER						1	

# HAND LIFTER COMPONENTS

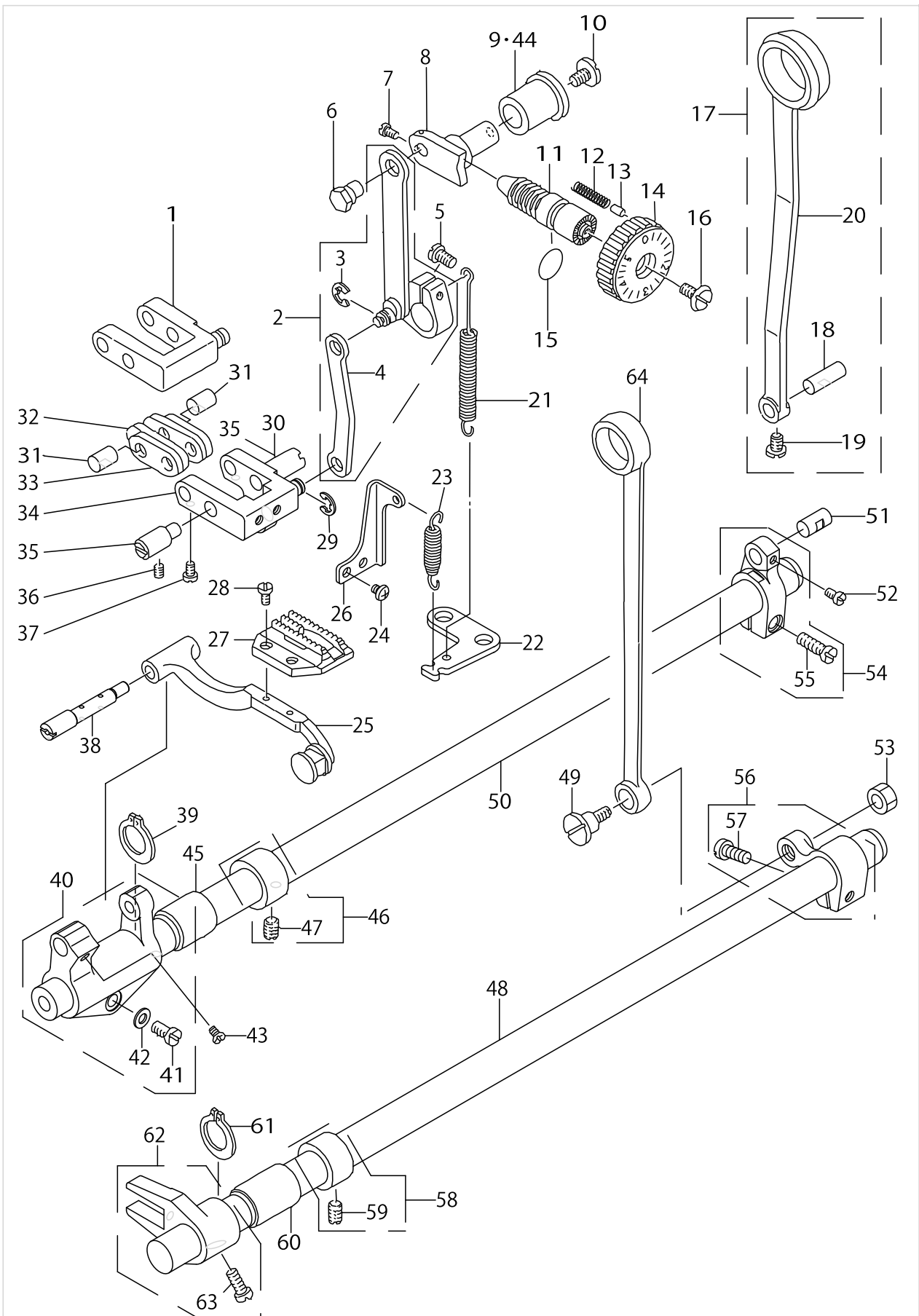


HAND LIFTER COMPONENTS

No.	Supply Code	Parts No.	Replacement	Parts name	Remarks	Choice	Step	Level	Cons	Qty	Rep. QTY
46		SS4150915SP		SCREW 15/64-28 L=9	FOR DLU-- 5490N-7-00					1	
47		22944706		WIRE PRESSER BASE LOWER	FOR DLU-- 5490N-7-00					1	
48		22920409		THREAD RELEASE PIN SPRING						1	
49		RE0400000K0		E-RING 4						1	
50		11220001		PIN						1	
51		CS064061ASP		THRUST COLLAR ASM.						1	
52		SS7090620TP		SCREW 9/64-40 L=6.1				*		1	
53		SS4110515SP		SCREW 11/64-40 L=5						1	
54		SS8110422TP		SCREW 11/64-40 L=4						1	
55		22944508		WIRE PRESSER A						2	
56		11230562		WIRE TUBE						1	
57		SS4120615SP		SCREW 3/16-28 L=6						1	
58		22944607		WIRE PRESSER BASE UPPER						1	
59		22962807		WIRE PRESSER BASE LOWER B	FOR DLU-- 5490N-7-0B,-WB					1	
60		SS7110740TP		SCREW 11/64-40 L=7	FOR DLU-- 5490N-7-0B,-WB					1	
61		SS4110515SP		SCREW 11/64-40 L=5						1	
62		22945109		WIRE CABLE SUPPORT						1	
63		SS4120615SP		SCREW 3/16-28 L=6						1	
64		SS8660610TP		SCREW 1/4-40 L=6						1	
65		11220308		THRUST WASHER						1	
66		11216918		DRIVING BAR PIN						1	
67		11204302		BRACKET PLATE						1	
68		B1524491BB0		PRESSER FOOT ASM. B						1	
69		11205218		LIFTING LEVER LINK SHAFT						1	



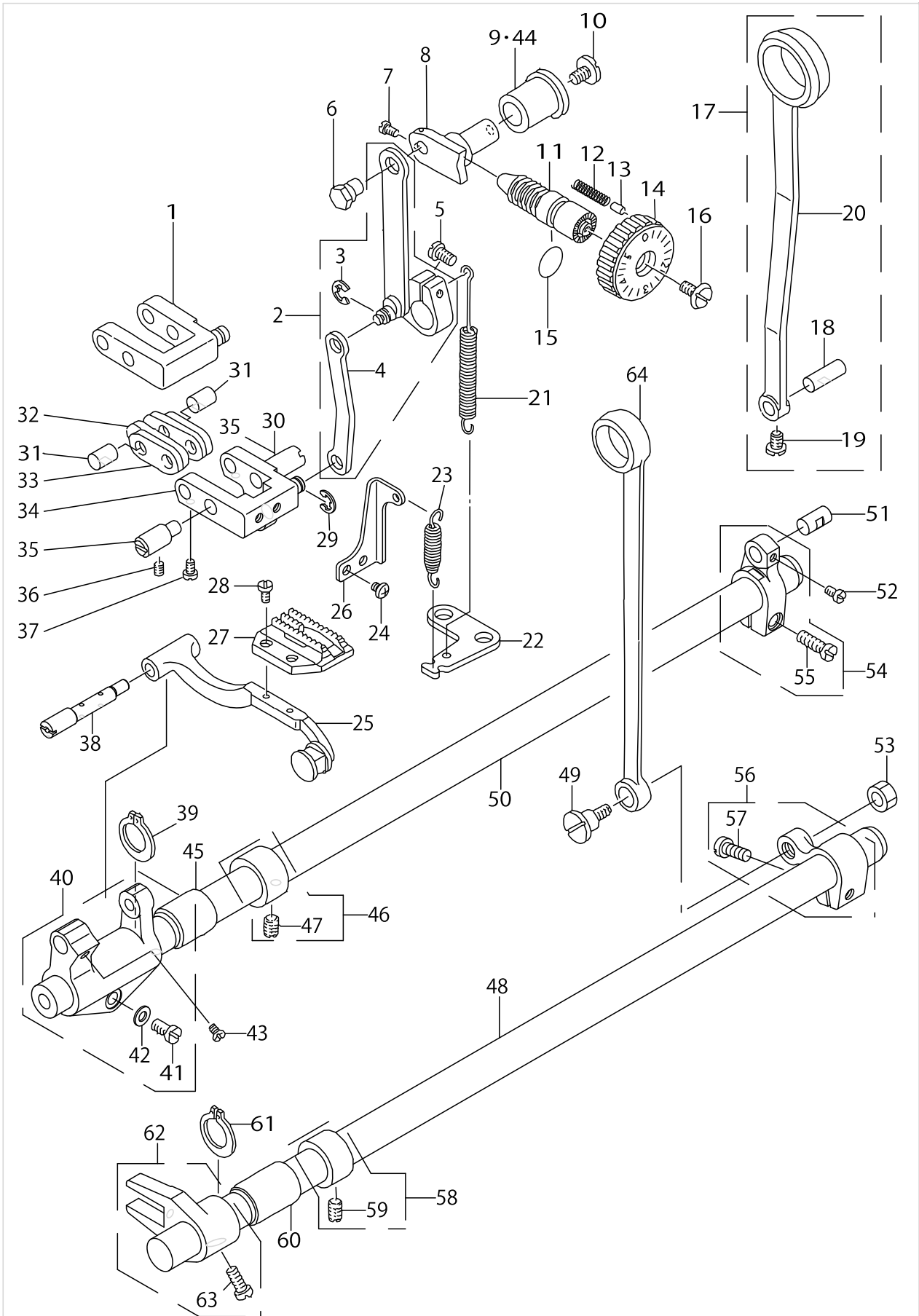
FEED MECHANISM COMPONENTS



FEED MECHANISM COMPONENTS

No.	Supply Code	Parts No.	Replacement	Parts name	Remarks	Choice	Step	Level	Cons	Qty	Rep. QTY
1		22910459		FEED ADJUSTING LINK ASM.	FOR DLU-- 5490N-7-00					1	
2		11206463		FEED CHANGING ARM ASM.						1	
3		RE050000K0		E-RING				*		1	
4	R	11206208	11206463	CONNECTING ROD B				*		1	1.00
5		SS6121220TP		SCREW 3/16-28 L=11.5						1	
6		11206307		FEED REGULATOR PIN						1	
7		SS6090670TP		SCREW 9/64-40 L=6						2	
8		11206406		FEED REGULATOR						1	
9		11009800		FEED REGULATOR BUSHING	FOR DLU-- 5490N-7-0B,-WB					1	
10		SS7120770SH		SCREW 3/16-28 L=7						1	
11		22911804		FEED REGULATOR SCREW						1	
12		22912109		FEED REGULATOR PIN SPRING						1	
13		22912000		FEED REGULATOR PIN						1	
14		11071909		FEED DIAL						1	
15		RO092270200		RUBBER RING						1	
16		SS6121860SP		SCREW 3/16-28 L=18						1	
17		40080424		CONNECTING ROD ASM.						1	
18		22911101		WALKING FOOT PIN C				*		1	
19		SS6090620TP		SCREW				*		1	
20	R	11206000	40080424	CONNECTING ROD				*		1	1.00
21	R	11010303	11010311	FEED REVERSE SPRING						1	1.00
22		22913701		FEED SPRING HOOK						1	
23		11037405		SPRING						1	
24		SS4110515SP		SCREW 11/64-40 L=5						2	
25		22940753		FEED BAR ASM.						1	
26		40071856		ADJUSTING LINK SPRING GUIDE						1	
27		B1613450A00		FEED DOG A						1	
28		SS4080620TP		SCREW 1/8-44 L=6						2	
29		RE050000K0		E-RING						1	
30		40010359		FA8955-M01	FOR DLU-- 5490N-7-0B,-WB					1	
31		22910905		WALKING FOOT PIN A						2	
32		40089548		CONNECTING LINK B						2	
33		40093417		CONNECTING LINK A						2	
34		22940951		FEED ADJUST LINK ASM.	FOR DLU-- 5490N-7-0B,-WB					1	
35		22910806		ADJUST LINK FULCRUM SHAFT A						2	
36		SS8150710TP		SCREW 15/64-28 L=7						2	
37		SS6090620TP		SCREW						2	
38		22940803		FEED BAR SHAFT						1	
39		RC0150001KP		RETAINING RING 13.8						1	
40		22940654		FEED ROCKER ASM.						1	
41		SS7121410TP		SCREW 3/16-28 L=14				*		1	
42		WP0480856SP		WASHER 4.8X8.4X0.8				*		1	
43		SS7110740TP		SCREW 11/64-40 L=7						1	
44		22911705		FEED REGULATOR BUSHING	FOR DLU-- 5490N-7-00					1	

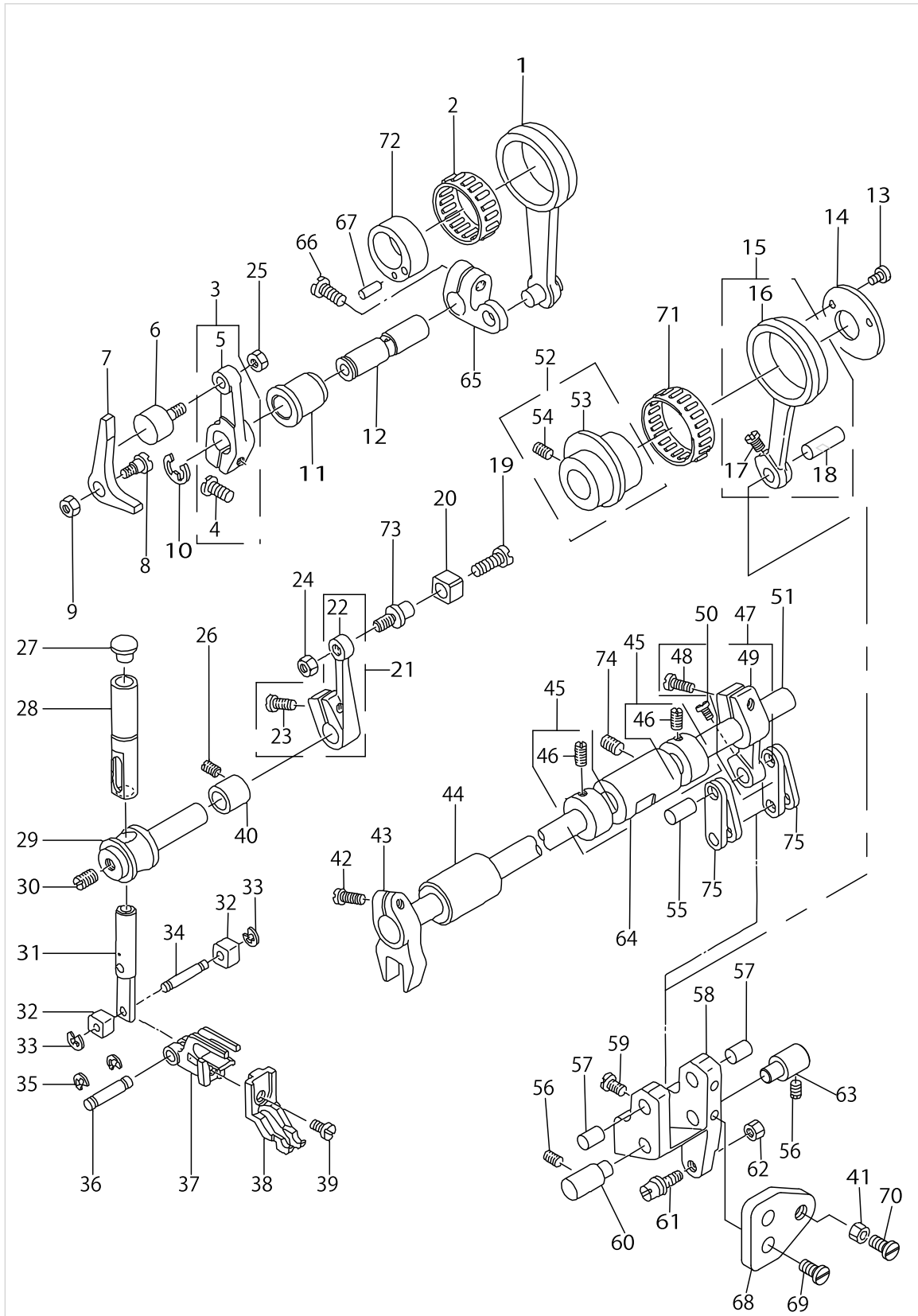
FEED MECHANISM COMPONENTS



FEED MECHANISM COMPONENTS

No.	Supply Code	Parts No.	Replacement	Parts name	Remarks	Choice	Step	Level	Cons	Qty	Rep. QTY
45	R	11010907	22913008	FEED ROCKER SHAFT BUSHING						1	1.00
46		22904155		MAIN SHAFT THRU-ST COLLAR ASM.						1	
47		SS8660610TP		SCREW 1/4-40 L=6				*		2	
48		22915201		FEED DRIVING SHAFT						1	
49		SD1000801SH		HINGE SCREW D=10 H=8						1	
50		22912901		FEED ROCKER SHAFT						1	
51		22911002		WALKING FOOT PIN B						1	
52		SS6090620TP		SCREW						1	
53		NS6680410SP		NUT 9/32-28						1	
54		22910350		FEED ROCKER SHAFT CRANK ASM.						1	
55		SS6121610SP		SCREW 3/16-28 L=15.5				*		1	
56		22915151		FEED ARM COMPL.						1	
57		SS7121610SP		SCREW 3/16-28 L=15.5				*		1	
58		22904155		MAIN SHAFT THRU-ST COLLAR ASM.						1	
59		SS8660610TP		SCREW 1/4-40 L=6				*		2	
60		22913008		FEED ROCKER SHAFT BUSHING						1	
61		RC0150001KP		RETAINING RING 13.8						1	
62		22915359		DRIVING SHAFT CRANK ASM.						1	
63	R	SS7111120SP	SS7111120TP	SCREW 11/64-40 L=10.5				*		1	1.00
64		22915003		CONNECTING ROD						1	

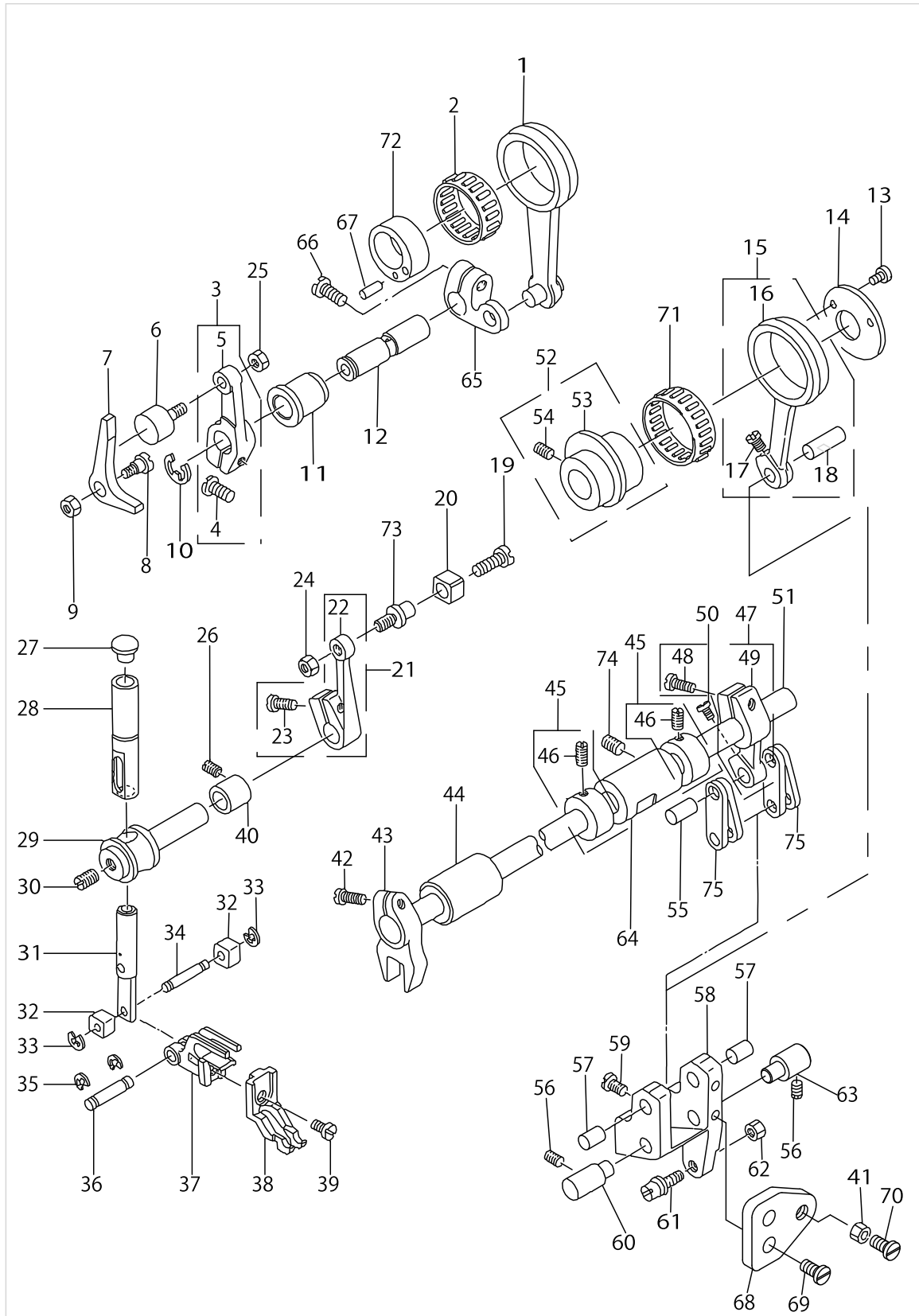
TOP FEED MECHANISM COMPONENTS (1)



TOP FEED MECHANISM COMPONENTS (1)

No.	Supply Code	Parts No.	Replacement	Parts name	Remarks	Choice	Step	Level	Cons	Qty	Rep. QTY
1		11216157		WALKING FOOT DRIVING ROD ASM.						1	
2		B1609804B00		NEEDLE BEARING						1	
3		11216652		VERTICAL ARM ASM. FRONT						1	
4		SS6121250TP		SCREW 3/16-28 L=11.5				*		1	
5	R	11216603	11216652	DRIVING ARM FRONT				*		1	1.00
6		11216702		DRIVING ROLLER						1	
7		11216801		DRIVING PRESSER ARM						1	
8		SD0640451TP		HINGE SCREW D=6.35 H=4.5						1	
9		NS6620310SP		NUT 3/16-32						1	
10		RE0700000K0		E-RING 7						1	
11		11216504		DRIVING SHAFT BUSHING						1	
12		11216405		WALKING FOOT DRIVING SHAFT						1	
13	R	SS6090630SP	SS6090630TP	SCREW 9/64-40 L=6						2	1.00
14		11210119		THRUST COLLAR						1	
15		40078218		WALKING FOOT DRIVING ROD ASM.						1	
16		11210200		WALKING FOOT DRIVING ROD				*		1	
17	R	SS7090910SP	SS7090910TP	SCREW 9/64-40 L=8.5				*		1	1.00
18		22911101		WALKING FOOT PIN C				*		1	
19		SS7110570SP		SCREW 11/64-40 L= 4.8						1	
20		11214301		ROLLER						1	
21		11214152		LEVEL ARM ASM. (LOWER)						1	
22	R	11214103	11214152	FEED ROCKER SHAFT CRANK LOWER				*		1	1.00
23		SS6121220TP		SCREW 3/16-28 L=11.5				*		1	
24		NS6120310SP		NUT 3/16-28						1	
25		NM6040001SD		NUT M4						1	
26		SS8120410SP		SCREW 3/16-28 L=3.8						1	
27		TA0850604R0		RUBBER PLUG						1	
28		11214608		FEED ROCKER BAR BUSHING						1	
29		11214400		FEED ROCKERSHAFT						1	
30		SS8150410TP		SCREW 15/64-28 L= 4.0						1	
31		11214756		HORIZONTAL BAR ASM.						1	
32		11215118		ROLLER						2	
33		RC0330415KP		SNAP RING						2	
34		11215019		ROLLER SHAFT						1	
35		RC0330415KP		SNAP RING						2	
36		11214806		PIN						1	
37		11214905		WALKING FOOT MOUNT						1	
38		B3026490B00		WALKING FOOT B						1	
39		SS6110610TP		SCREW 11/64-40 L=6						1	
40		11214509		BUSHING						1	
41		NS6110310SP		NUT 11/64-40						1	
42		SS6121220TP		SCREW 3/16-28 L=11.5						1	
43	R	11214004	11214053	FEED ROCKER SHAFT CRANK UPPER						1	1.00
44		11211000		ROCK SHAFT BUSHING FRONT						1	
45		CS120101BSH		THRUST COLLAR ASM.						2	

TOP FEED MECHANISM COMPONENTS (1)

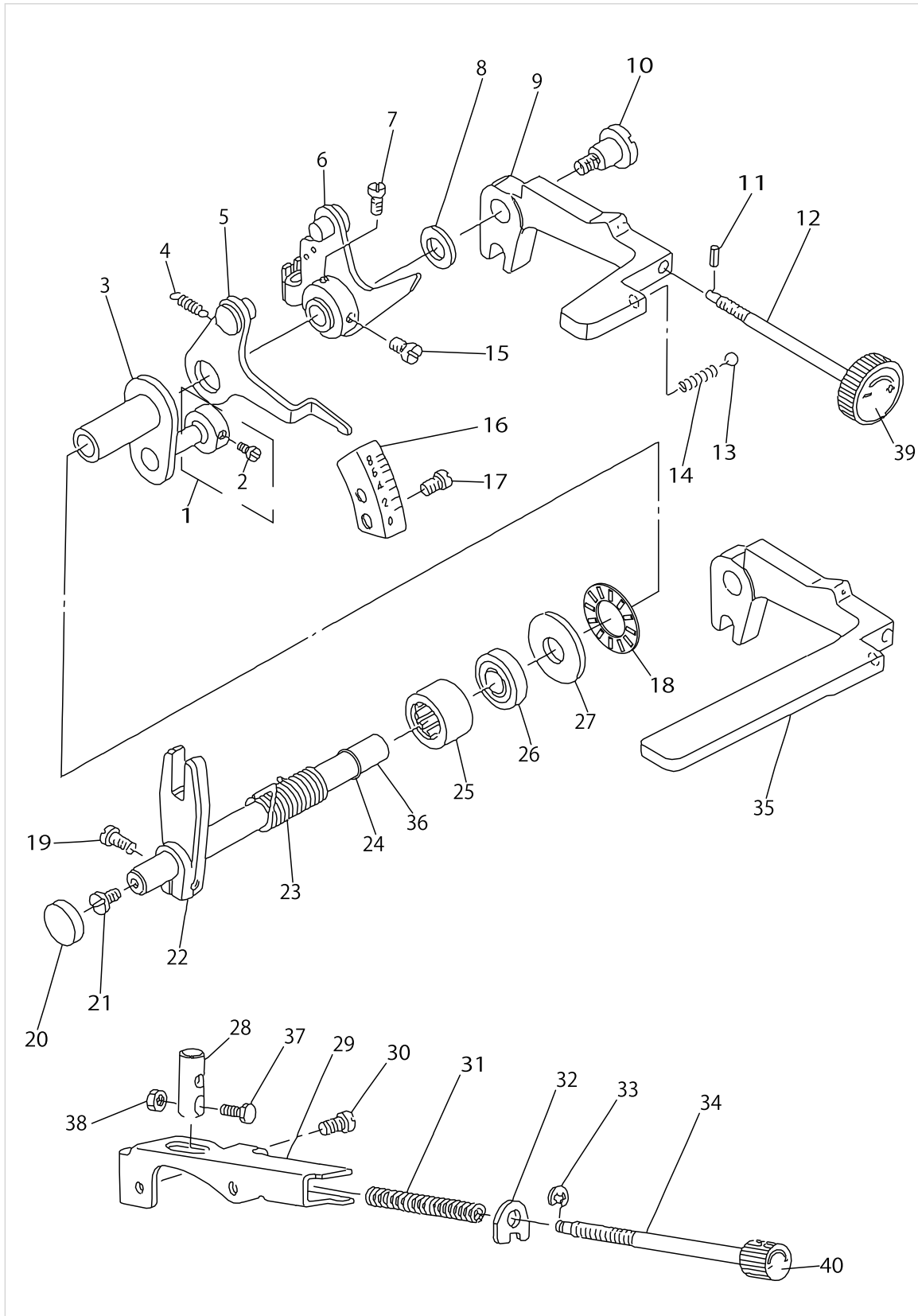


TOP FEED MECHANISM COMPONENTS (1)

No.	Supply Code	Parts No.	Replacement	Parts name	Remarks	Choice	Step	Level	Cons	Qty	Rep. QTY
46		SS8660410SP		SCREW 1/4-40 L= 4.2				*		4	
47		11210754		WALKING FOOT ARM ASM.						1	
48		SS6121220TP		SCREW 3/16-28 L=11.5				*		1	
49	R	11210705	11210754	WALKING FOOT ARM				*		1	1.00
50		SS7090910TP		SCREW 9/64-40 L= 8.5						1	
51		11210804		WALKING FOOT ROCK SHAFT						1	
52		11210051		LEVEL CAM ASM.						1	
53	R	11210002	11210051	CAM				*		1	1.00
54		SS8660530TP		SCREW 1/4-40 L= 4.5				*		2	
55		22911002		WALKING FOOT PIN B						1	
56		SS8120740SP		SCREW 3/16-28 L=7						2	
57		22910905		WALKING FOOT PIN A						2	
58		11210325		WALKING FOOT ADJUSTING LINK						1	
59		SS4090815SP		SCREW 9/64-40 L=8						2	
60		11210507		WALKING FOOT FULCRUM SHAFT A						1	
61		11210408		WALKING FOOT ADJUSTING PIN						1	
62		NS6620310SP		NUT 3/16-32						1	
63		11210614		FULCRUM SHAFT B						1	
64		11210903		ROCK SHAFT BUSHING REAR						1	
65	R	11216306	11216355	DRIVING ARM REAR						1	1.00
66		SS6121220TP		SCREW 3/16-28 L=11.5						1	
67	D	B3016450000A		PIN						1	
68		11213311		ADJUSTING LINK STOPPER PLATE						1	
69		SS7110910TP		SCREW 11/64-40 L= 8.5						2	
70		SS7111410TP		SCREW 11/64-40 L=14						1	
71		B412352200B		NEEDLE ROLLAR						1	
72	R	11216009	40095789	WALKING FOOT DRIVING CAM						1	1.00
73		11214202		WALKING FOOT HORIZONTAL LOWER						1	
74		SS8120740SP		SCREW 3/16-28 L=7						1	
75	R	11008703	40089548	WALKING FOOT LINK						4	1.00



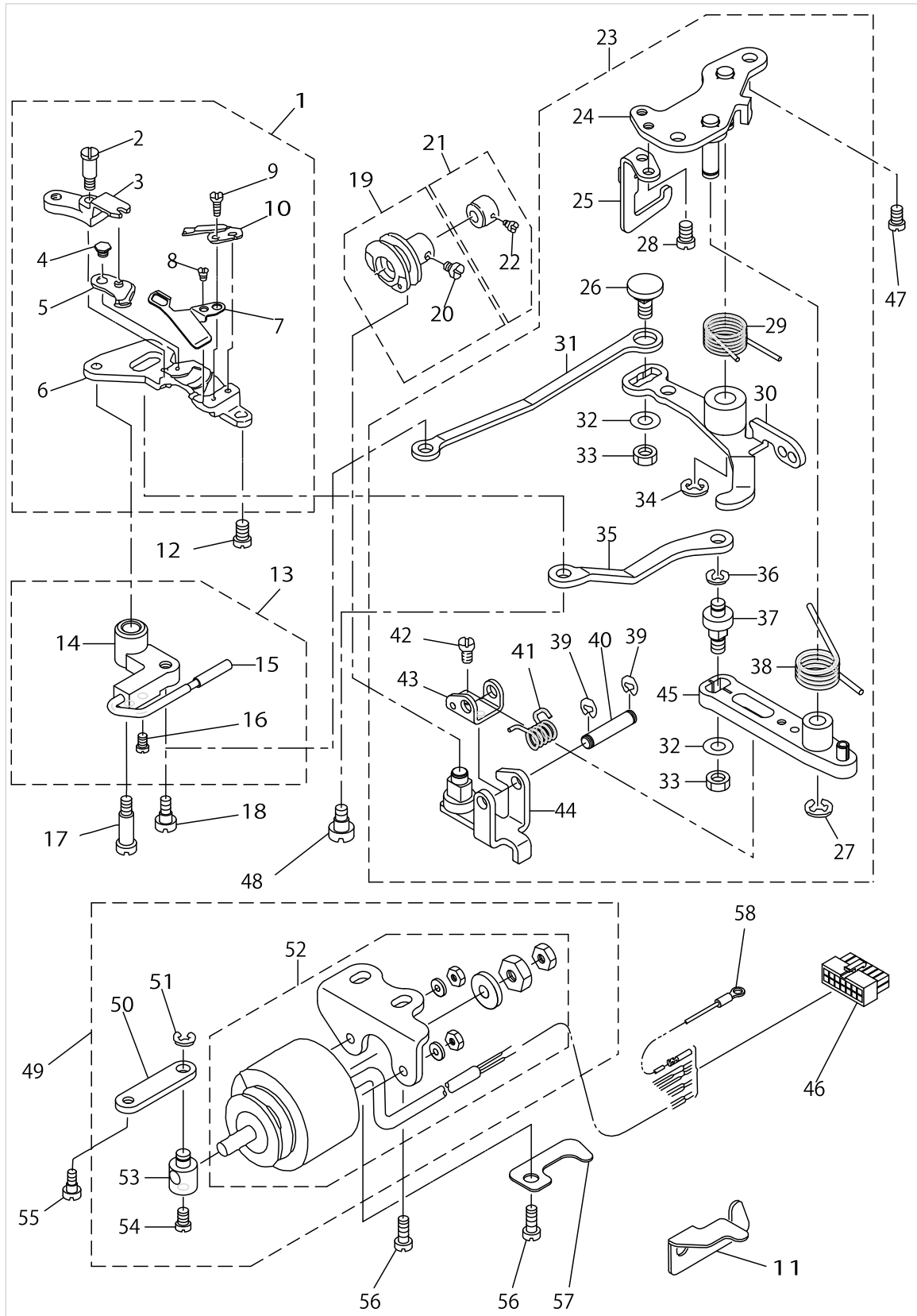
TOP FEED MECHANISM COMPONENTS (2)



TOP FEED MECHANISM COMPONENTS (2)

No.	Supply Code	Parts No.	Replacement	Parts name	Remarks	Choice	Step	Level	Cons	Qty	Rep. QTY
1		GS070061ASD		THRUST COLLAR ASM.						1	
2	R	SS6090510SP	SS6090510TP	SCREW 9/64-40 L=5				*		1	1.00
3		11206653		REVERSE FEED BUSHING ASM.						1	
4		11212909		STOPPER INDICATOR SPRING						1	
5		11212156		STOPPER INDICATOR ASM.						1	
6		11211455		WALKING FOOT LEVER COLLAR ASM.						1	
7		SS6110820TP		SCREW 11/64-40 L=8						1	
8		WP0600816SP		WASHER						1	
9		11256807		REVERSE FEED CONTROL LEVER	FOR DLU-- 5490N-7-0- B,-WB, DL- U-5490N-7-00					1	
10		SD1000701TP		HINGE SCREW D=10 H=7						1	
11		PS0150065KP		SPRING PIN 1.5X6						1	
12		11211851		ADJUSTING SHAFT ASM.						1	
13		B3037470000		BALL						1	
14		B2920490000		SPRING						1	
15		SS6111030TP		SCREW 11/64-40 L=9.7						1	
16		11213006		WALKING FOOT GRADUATION PLATE						1	
17		SS4120615SP		SCREW 3/16-28 L=6						2	
18		B1211980000		UPPER SHAFT THRUST BEARING						1	
19		SS6121250TP		SCREW 3/16-28 L=11.5						1	
20		TA1750502R0		RUBBER PLUG D=17.5 L=5						1	
21		SS7620750SP		SCREW 3/16-32 L=6.5						1	
22	R	11211109	11211158	WALKING FOOT ADJUSTING ARM						1	1.00
23		11211307		ADJUSTING LINK SPRING						1	
24		RO069180100		RUBBER RING						1	
25		B1644490000		NEEDLE BEARING						1	
26		B1641490000		OIL SEAL						1	
27		B1242980000		THRUST WASHER SMALL						1	
28		11212610		STOPPER PIN						1	
29		11212206		STOPPER BASE						1	
30		SS4120615SP		SCREW 3/16-28 L=6						2	
31		11212701		STOPPER SPRING						1	
32		11212800		STOPPER WASHER						1	
33		RE0320000K0		E-RING 3.2						1	
34		11212354		STOPPER SCREW ASM.						1	
35		11256708		REVERSE FEED CONTROL LEVER	FOR DLU-- 5490N-7-00					1	
36		11211208		WALKING FOOT LEVER SHAFT						1	
37		SS9111113TP		SCREW 11/64-40 L=11						1	
38		NS6110310SP		NUT 11/64-40						1	
39		11212008		WALKING FOOT DIAL PLATE						1	
40		11212503		STOPPER DIAL PLATE						1	

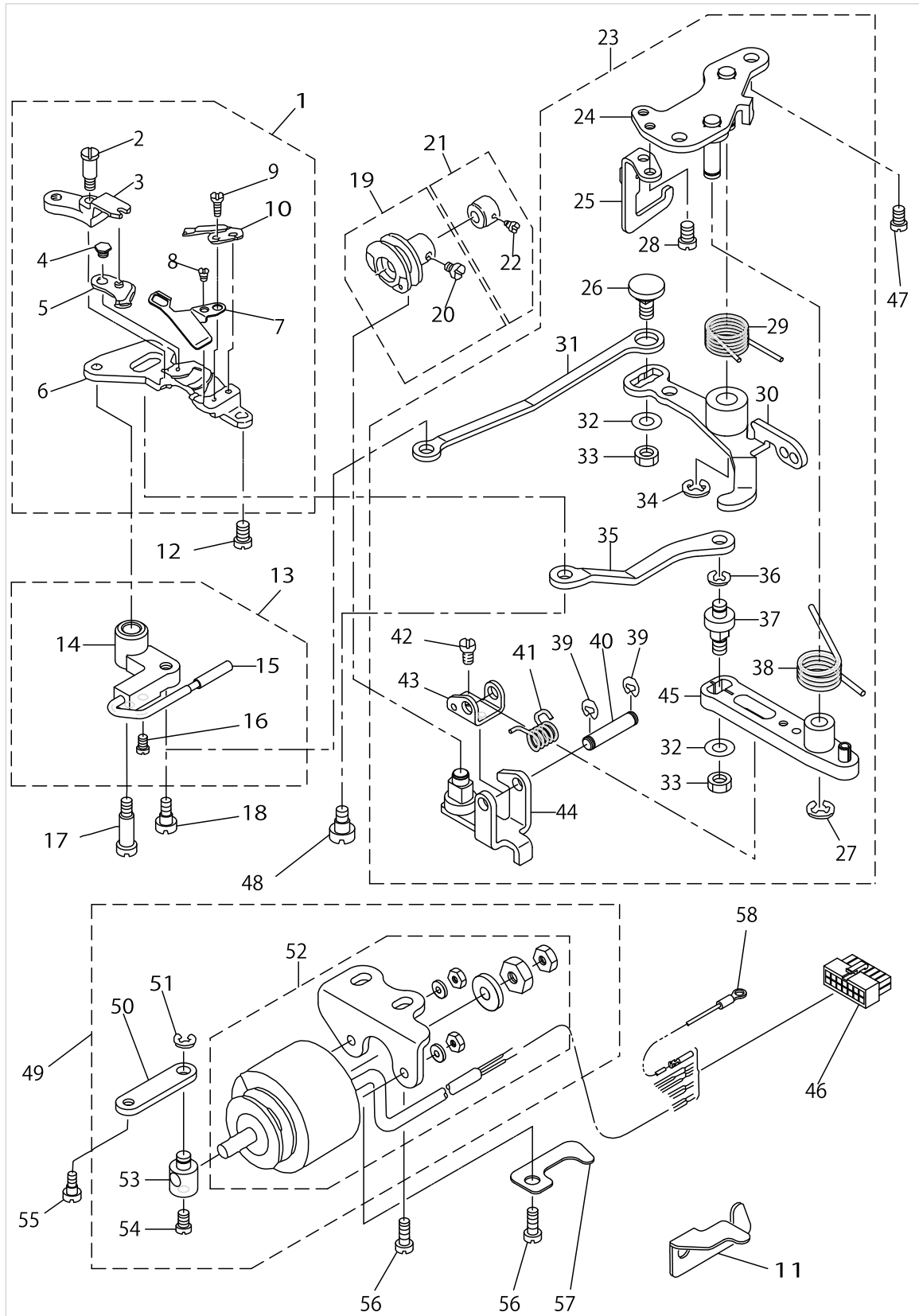
# THREAD TRIMMER COMPONENTS



THREAD TRIMMER COMPONENTS

No.	Supply Code	Parts No.	Replacement	Parts name	Remarks	Choice	Step	Level	Cons	Qty	Rep. QTY
1		11232055		KNIFE UNIT						1	
2		SD0460703TP		HINGE SCREW D=4.6 H=7				*		1	
3		11232105		FORKED BASE FOR KNIFE				*		1	
4		SD0500095TH		HINGE SCREW D= 5 H= 0.85				*		1	
5		11040052		MOVING KNIFE ASM.				*		1	
6		22947907		KNIFE MOUNTING BASE				*		1	
7	R	11313103	22947808	THREAD GUIDE FOR KNIFE				*		1	1.00
8		SS2060210SP		SCREW 3/32-56 L=2.3				*		1	
9		SS4080620TP		SCREW 1/8-44 L=6				*		2	
10		D2406555D0H		COUNTER KNIFE				*		1	
11		22962708		TUBE HOLDER LOWER	FOR DLU-- 5490N-7-0B,-WB					1	
12		SS4110715SP		SCREW 11/64-40 L=7						1	
13		22950257		PICKER ARM ASM.						1	
14		22950208		PICKER ARM				*		1	
15		22950356		HOOK THREAD PRESSER ASM.				*		1	
16	R	SS6090510SP	SS6090510TP	SCREW 9/64-40 L=5				*		2	1.00
17		SD0641451SP		HINGE SCREW D= 6.35 H=14.5						1	
18		SD0630275SP		HINGE SCREW D= 6.35 H= 2.7						1	
19		22950851		THREAD TRIMMER CAM ASM.						1	
20		SS6660610TP		SCREW 1/4-40 L=6				*		2	
21		22950950		CAM COLLAR ASM.						1	
22		SS8110520TP		SCREW 11/64-40 L= 4.5				*		1	
23		22949762		THREAD TRIMMER DRIVING UNIT						1	
24		22949754		BASE PLATE ASM.				*		1	
25		22950703		DRIVING ARM STOPPER				*		1	
26		22950109		PICKER LINK				*		1	
27		RE0600000K0		E-RING 6				*		1	
28		SS4110715SP		SCREW 11/64-40 L=7				*		2	
29		22949408		CLUTCH SPRING				*		1	
30		40087245		CLUTCH PLATE ASM.				*		1	
31		22950109		PICKER LINK				*		1	
32		WP0621016SH		WASHER				*		2	
33		NS6150430SP		NUT 15/64-28				*		2	
34		RE0600000K0		E-RING 6				*		1	
35		22948301		MOVING KNIFE LINK				*		1	
36		RE0500000K0		E-RING				*		1	
37		22948400		MOVING KNIFE LINK PIN				*		1	
38		22949309		KNIFE RETURN SPRING B				*		1	
39		RE0400000K0		E-RING 4				*		2	
40		22949101		ROLLER FULCRUM SHAFT				*		1	
41		22949200		ROLLER RETURN SPRING				*		1	
42		SS7090610SP		SCREW 9/64-40 L=6				*		1	
43		22949002		ROLLER ARM SEAT				*		1	
44		11040953		ROLLER ARM ASM.				*		1	
45	R	11040854	22948558	KNIFE DRIVING ARM ASM.				*		1	1.00
46		HK034610140		HOUSING 14P						1	

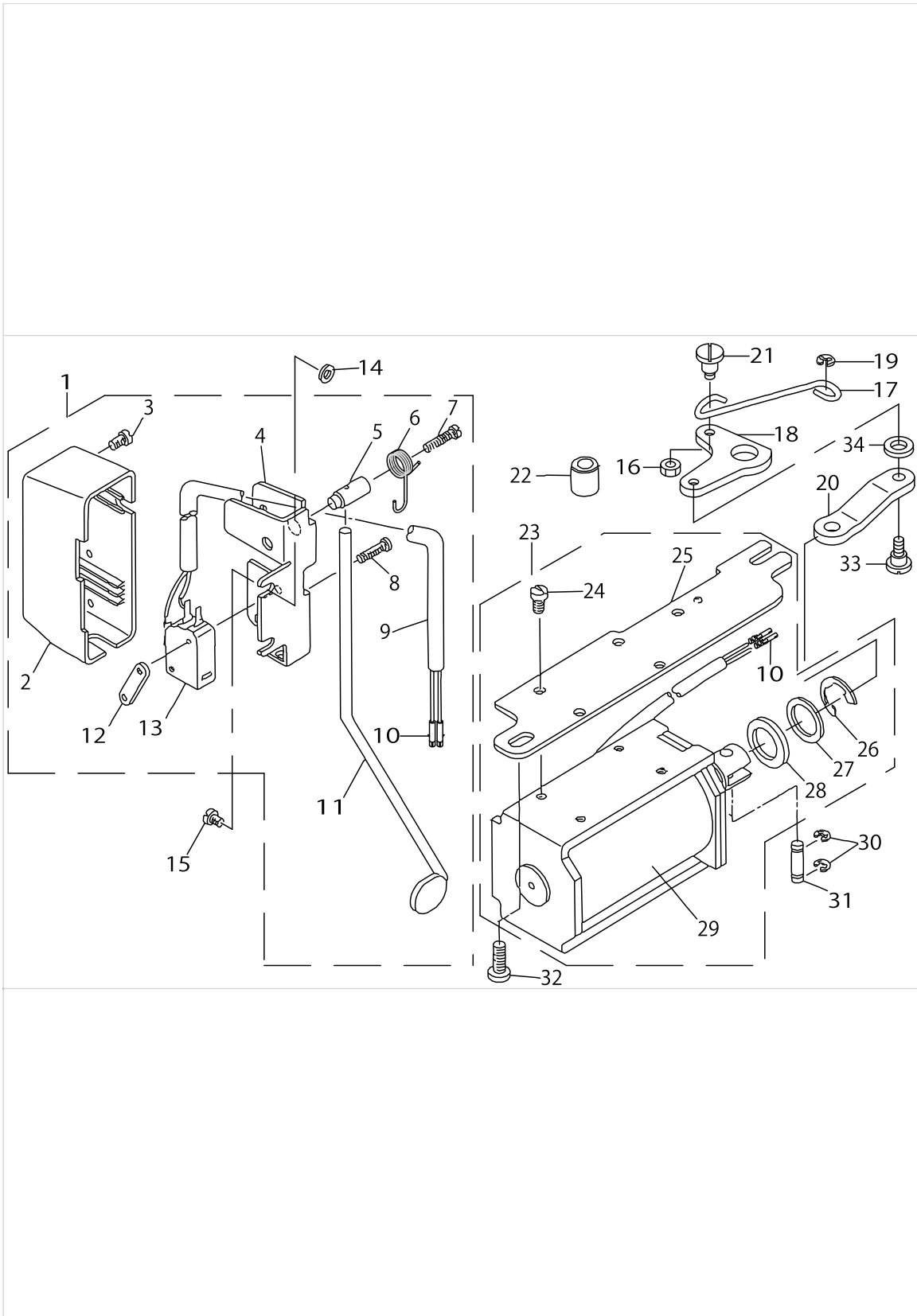
# THREAD TRIMMER COMPONENTS



THREAD TRIMMER COMPONENTS

No.	Supply Code	Parts No.	Replacement	Parts name	Remarks	Choice	Step	Level	Cons	Qty	Rep. QTY
47		SS4150915SP		SCREW 15/64-28 L=9						2	
48		SD0640631TP		HINGE SCREW D=6.35 H=6.3						1	
49	R	22951164	40106930	SOLENOID UNIT						1	1.00
50		22949903		CLUTCH LINK				*		1	
51		RE0500000K0		E-RING				*		1	
52		40106930		THREAD TRIMMER SOLENOID ASM.				*		1	
53		22951008		SOLENOID PIN				*		1	
54		SS6110710TP		SCREW 11/64-40 L= 6.5				*		1	
55		SD0600361SP		HINGE SCREW D=6 H=3.6						1	
56		SS4151215SP		SCREW15/64-28L=12						2	
57		22924807		PIPE HOLDER LOWER	FOR DLU-- 5490N-7-00					1	
58		22951552		GROUND WIRE ASM.						1	

AUTOMATIC REVERSE FEED COMPONENTS

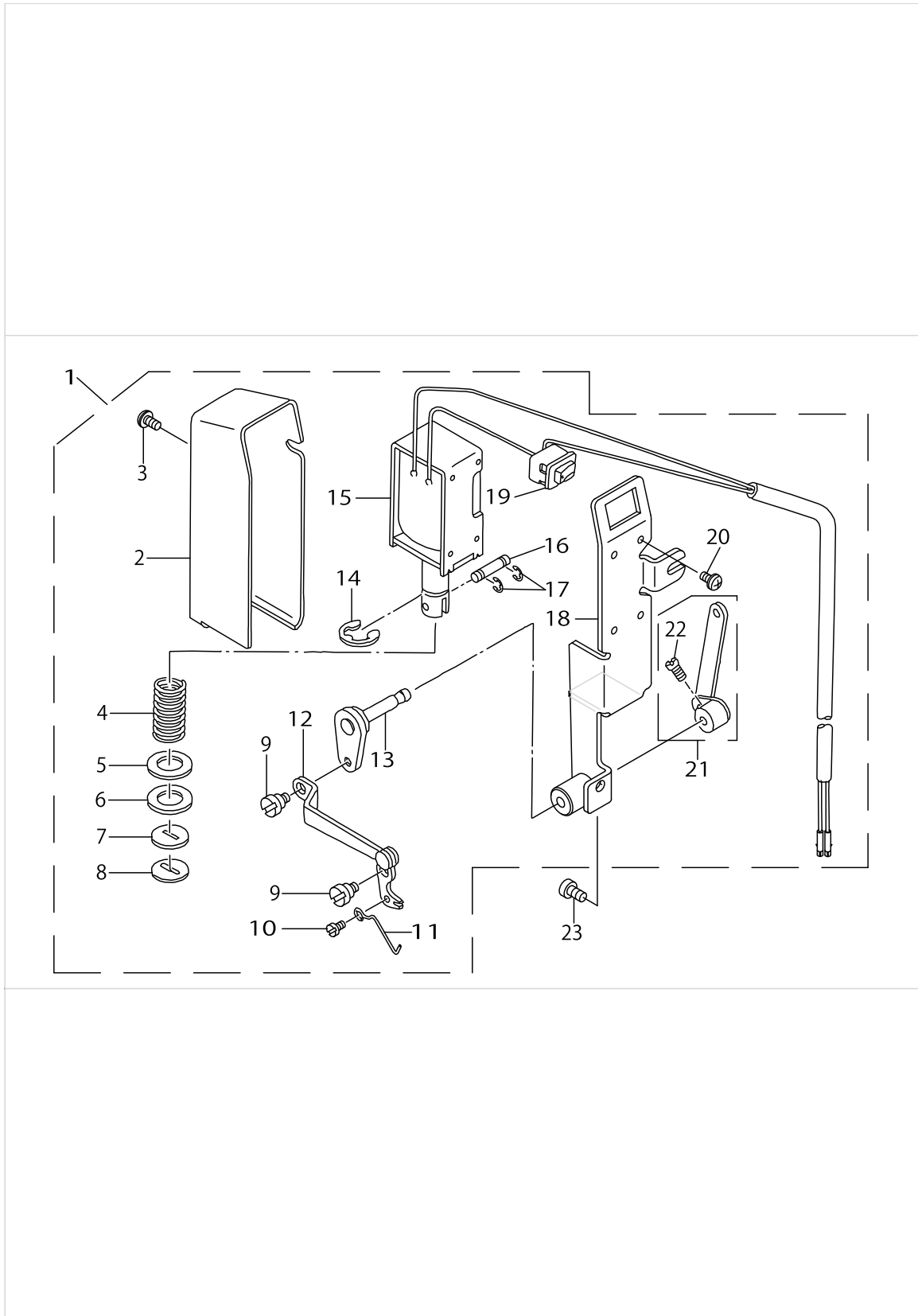


AUTOMATIC REVERSE FEED COMPONENTS

No.	Supply Code	Parts No.	Replacement	Parts name	Remarks	Choice	Step	Level	Cons	Qty	Rep. QTY
1		11257755		REVERSE FEED SWITCH ASM.						1	
2		22954606		REVERSE FEED SWITCH COVER				*		1	
3		SM4040655SP		SCREW M4 L=6				*		1	
4		22954101		REVERSE FEED SWITCH BASE				*		1	
5		22954200		REVERSE FEED SWITCH SHAFT				*		1	
6		22954309		REVERSE FEED SWITCH SPRING				*		1	
7		SM4041655SP		SCREW M4 L=16				*		1	
8		SM4031501SC		SCREW M3 L=15				*		2	
9		HW500070000		2-CORE CABTYRE CORD				*		1.31	
10		HK03464000B		PIN CONTACT				*		4	
11		11257607		REVERSE FEED CONTROL LEVER				*		1	
12	R	11102308	22954408	MICRO SWITCH PLATE				*		1	1.00
13		HA001900000		MICROSWITCH				*		1	
14		WP0553216SD		WASHER	FOR DLU-- 5490N-7-0B					1	
15		SS4120915SP		SCREW 3/16-28 L=9	FOR DLU-- 5490N-7-0B					2	
16		NS6110420SP		NUT 11/64-40						1	
17		11101300		REVERSE FEED CO- NNECTING SHAFT						1	
18		11101508		REVERSE FEED LINK						1	
19		RE0500000KP		E-RING 5						1	
20		22962500		SOLENOID CONNECTING LINK						1	
21		SD0700451TP		HINGE SCREW D=7 H=4.5						1	
22		22962609		REVERSE FEED BASE COLLAR						1	
23		40090750		SOLENOID MOUNTING BASE ASM.						1	
24		SS7110740TP		SCREW 11/64-40 L=7				*		4	
25		40090752		SOLENOID INSTALLING PLATE				*		1	
26		RE1200000K0		E-RING 12				*		1	
27		WP1703001SC		WASHER 17X30X3				*		1	
28		D2468555B00		RUBBER PLUNGER				*		1	
29	R	40090751	40090750	REVERSE FEED SOLENOID				*		1	1.00
30		RE0400000K0		E-RING 4						2	
31		D2464555B00		LINK DRIVING MAGNET PIN						1	
32		SS4150915SP		SCREW 15/64-28 L=9						1	
33		SD0700711TP		HINGE SCREW D=7 H=7.1						1	
34		WP0722316SH		WASHER						1	



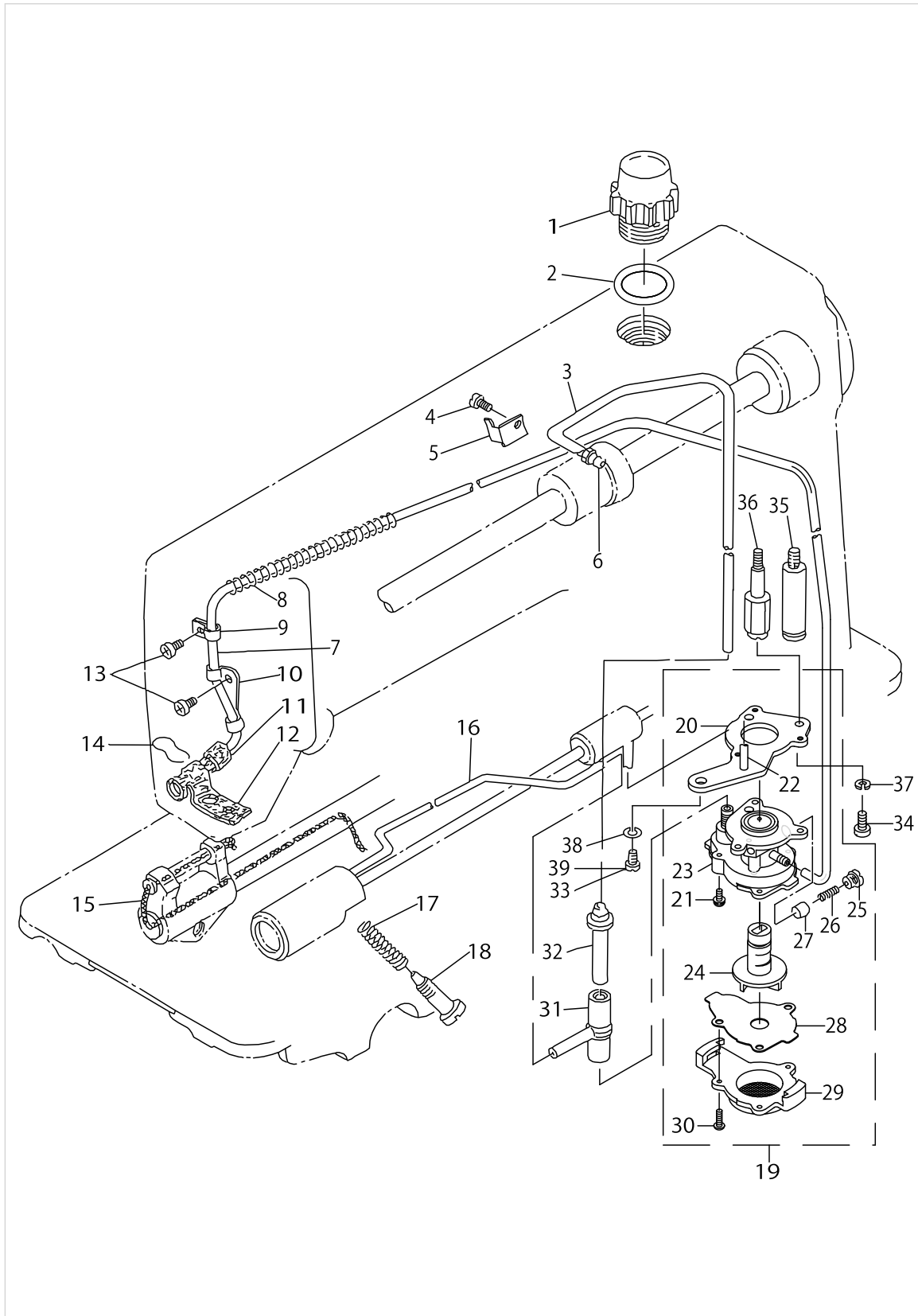
# WIPER COMPONENTS



WIPER COMPONENTS

No.	Supply Code	Parts No.	Replacement	Parts name	Remarks	Choice	Step	Level	Cons	Qty	Rep. QTY
1		11258159		WIPER ASM.						1	
2		11258001		WIPER COVER				*		1	
3		SL4030631SC		SCREW M3X6				*		1	
4		11233400		SPRING				*		1	
5		WP1221016SP		WASHER				*		1	
6		11234408		SOLENOID RUBBER				*		1	
7		11233301		STOPPER RUBBER				*		1	
8		11234606		STOPPER RUBBER WASHER				*		1	
9		SD0550212TP		HINGE SCREW D=5.5 H=2.1				*		2	
10		SS7090410SP		SCREW 9/64-40 L= 3.5				*		1	
11		D2104490D00		WIPER				*		1	
12		11234150		WIPER DRIVING LINK ASM.				*		1	
13		11233657		WIPER LEVER A ASM.				*		1	
14		RE0900000K0		E-RING 9				*		1	
15		40112705		WIPER SOLENOID ASM.				*		1	
16		11234507		PLUNGER CONNECTING PIN				*		1	
17		RE0300000K0		E-RING 3				*		2	
18		11233053		WIPER INSTALLING BASE ASM.				*		1	
19		HA00600000A		SWITCH				*		1	
20		SL4030641SE		SCREW				*		4	
21		11233251		WIPER LEVER B ASM.				*		1	
22		SS6110710TP		SCREW 11/64-40 L= 6.5				*		2	
23		SS4121015SP		SCREW 3/16-28 L=10				*		1	

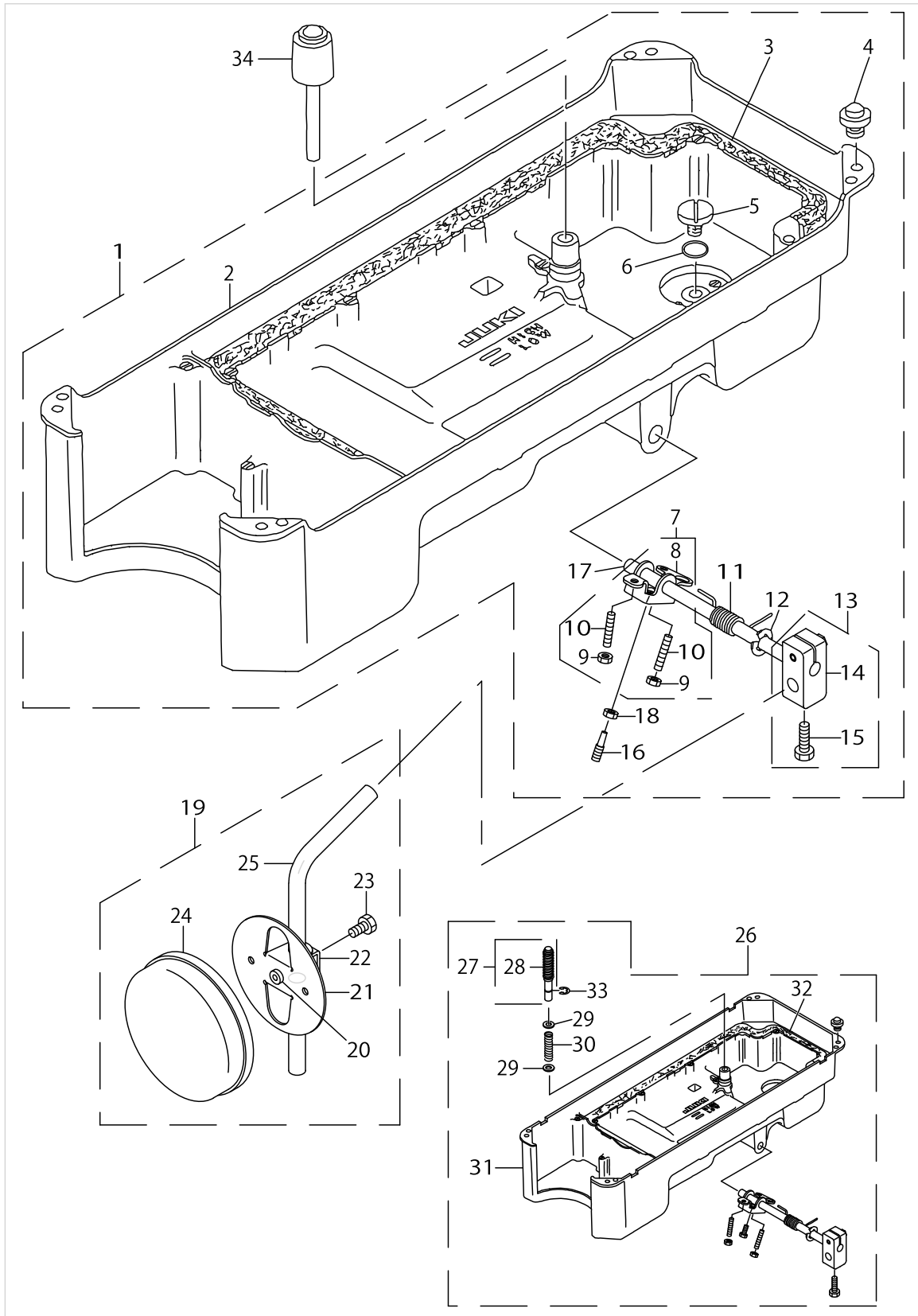
OIL LUBRICATION COMPONENTS



OIL LUBRICATION COMPONENTS

No.	Supply Code	Parts No.	Replacement	Parts name	Remarks	Choice	Step	Level	Cons	Qty	Rep. QTY
1	R	22947006	22924708	OIL SIGHT WINDOW						1	1.00
2		RO195240100		RUBBER RING						1	
3		BT0600402EA		OIL TUBE						.3	
4		SS6080340SP		SCREW 1/8-44 L=2.9						1	
5		11222007		HOLDER						1	
6		SQ1150501SD		CONNECTING SCREW						1	
7		11221652		OIL TUBE ASM.						1	
8		B3404122000		SPRING				*		1	
9		B3536122000		HOLDER				*		1	
10		11221801		HOLDER A				*		1	
11	R	11221702	11039203	FELT B				*		1	1.00
12		11221603		FELT A				*		1	
13		SS4120615SP		SCREW 3/16-28 L=6						2	
14		11221900		OIL FELT PRESSER						1	
15		CQ252000000		OIL WICK						.3	
16		22924500		HOOK OIL TUBE						1	
17		22924906		OIL REGULATOR SCREW SPRING						1	
18		22925002		OIL REGULATOR SCREW						1	
19		22923056		OIL PUMP ASM.						1	
20	R	22923312	11392057	OIL PUMP INSTALLING BASE		A	DLD5430	*		1	1.00
20	R	22923312	11404555	OIL PUMP INSTALLING BASE		B	DDL5600/- 8100e, DU1181	*		1	1.00
20	R	22923312	22923056	OIL PUMP INSTALLING BASE		C	DDL8700/- 8300/8500- /900A, DM- N5420/5400	*		1	1.00
21		SL4030851SF		SCREW M3 L=8				*		3	
22		22923908		HOOK DRIVING SH- AFT OILING PIPE				*		1	
23	R	22923015	22923056	OIL PUMP				*		1	1.00
24		22923700		IMPELLER				*		1	
25		22923502		PLUNGER SCREW				*		1	
26		22923601		PLUNGER SPRING				*		1	
27		22923403		PLUNGER				*		1	
28		22923809		PUMP BODY SUPPORT PLATE				*		1	
29		22923205		PUMP BODY COVER				*		1	
30		SE4301041SR		SCREW D=3 L=10				*		3	
31		22924609		RUBBER JOINT						1	
32		11221504		OIL TUBE JOINT						1	
33		SS4151215SP		SCREW 15/64-28L=12	FOR DLU-- 5490N-7-0B,-WB					1	
34		SS6111010TP		SCREW 11/64-40 L= 9.5						1	
35		22924005		PUMP BODY STRUT	FOR DLU-- 5490N-7-00					1	
36		11231503		OIL PUMP SUPPORT	FOR DLU-- 5490N-7-0B,-WB					1	
37		WS0451040KP		SPRING WASHER 4.5X8.5X1	FOR DLU-- 5490N-7-0B,-WB					1	
38		WS0651310KP		SPRING WASHER 6.5X11X1.3	FOR DLU-- 5490N-7-0B,-WB					1	
39		SS4150915SP		SCREW 15/64-28 L=9	FOR DLU-- 5490N-7-00					1	

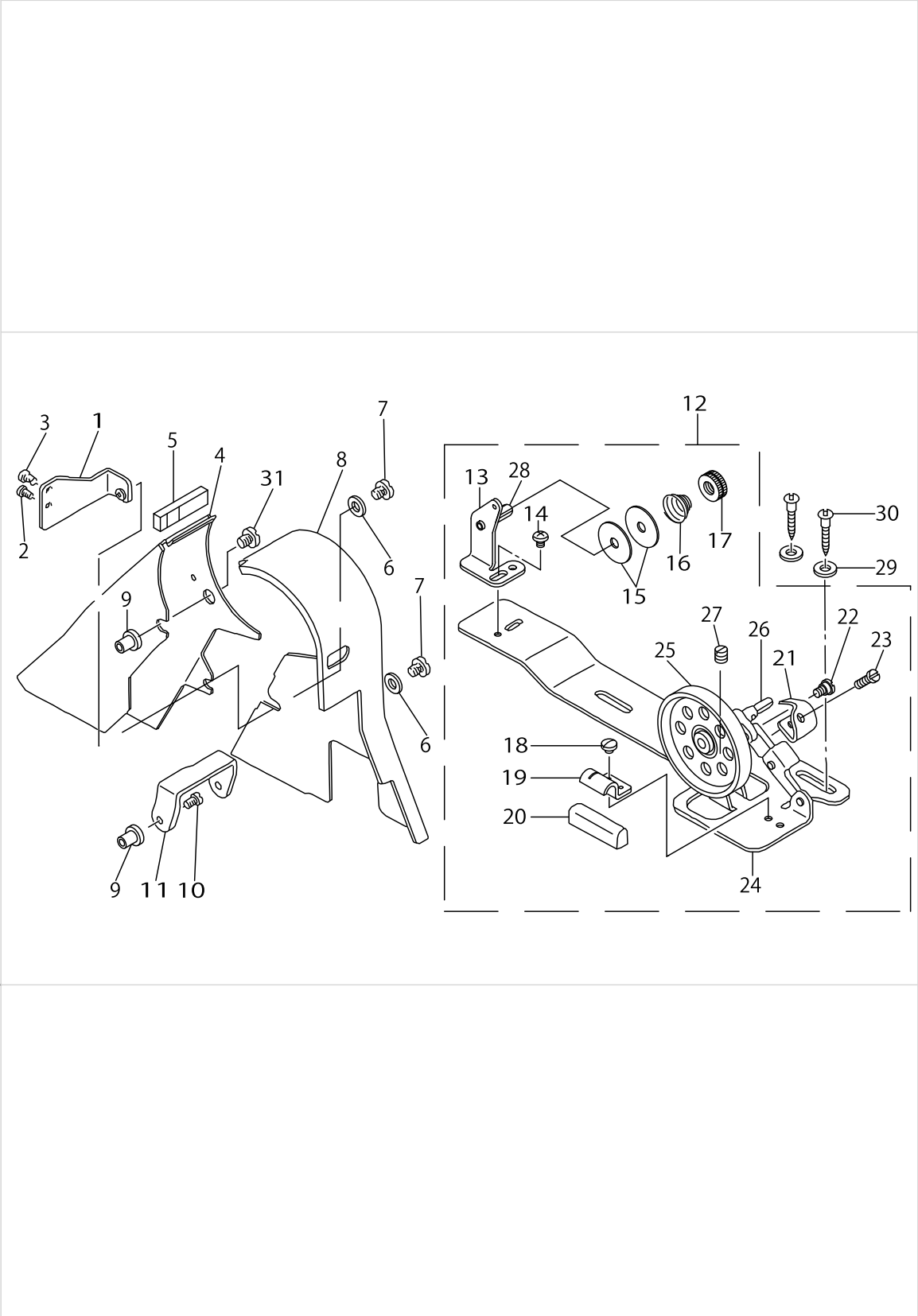
OIL RESERVOIR COMPONENTS



OIL RESERVOIR COMPONENTS

No.	Supply Code	Parts No.	Replacement	Parts name	Remarks	Choice	Step	Level	Cons	Qty	Rep. QTY
1	R	11047057	40102085	OIL RESERVOIR ASM.						1	1.00
2	R	11023017	40102085	OIL RESERVOIR				*		1	1.00
3		11024700		GASKET				*		1	
4		11047107		RUBBER CUSHION				*		4	
5		SS6700710SH		SCREW 5/16-24 L=7				*		1	
6		RO098240100		RUBBER RING				*		1	
7		22932156		KNEE LIFTER ROTATION ARM ASM.				*		1	
8	R	22932107	22932156	KNEE LIFTER ROTATION ARM				*		1	1.00
9		NM6060001SE		NUT M6				*		2	
10		SM8063012TR		SCREW M6 L=30				*		2	
11		22932206		SPRING				*		1	
12		RE1000000K0		E-RING 10				*		1	
13		22932453		BRACKET ASM.				*		1	
14	R	22932404	22932453	BRACKET				*		1	1.00
15		22934707		BRACKET SCREW				*		2	
16		40101720		SCREW_M6				*		1	
17		22932305		KNEE PRESS CROSS SHAFT				*		1	
18		NM6060001SE		NUT M6				*		1	
19		22934251		KNEE PAD PLATE ASM.				*		1	
20		22934400		KNEE PAD PLATE RUBBER				*		1	
21		22934202		KNEE PAD PLATE				*		1	
22		22934301		KNEE PAD PLATE SUPPORT				*		1	
23		SM9061203SE		SCREW M6 L=12				*		1	
24		22934509		KNEE PAD PLATE COVER				*		1	
25		22934608		KNEE PAD UPRIGHT SHAFT				*		1	
26	R	11141454	40102085	OIL RESERVOIR ASM.	FOR JE					1	1.00
27		GAK300010B0		KNEE PRESS LIFTER ROD ASM.	FOR JE			*		1	
28	R	GAK30004000	GAK300010B0	KNEE PRESS LIFTER ROD RUBBER	FOR JE			*		1	1.00
29		WP0621016SD		WASHER 6.2X13X1	FOR JE			*		2	
30		GAK30005000		SPRING	FOR JE			*		1	
31	R	11141413	40102085	OIL RESERVOIR	FOR JE			*		1	1.00
32	R	11141900	11024700	GASKET	FOR JE			*		1	1.00
33		RE0400000K0		E-RING 4	FOR JE			*		1	
34	R	11024304	22931703	KNEE PRESS LIFTER ROD						1	1.00

BELT COVER & BOBBIN WINDER COMPONENTS

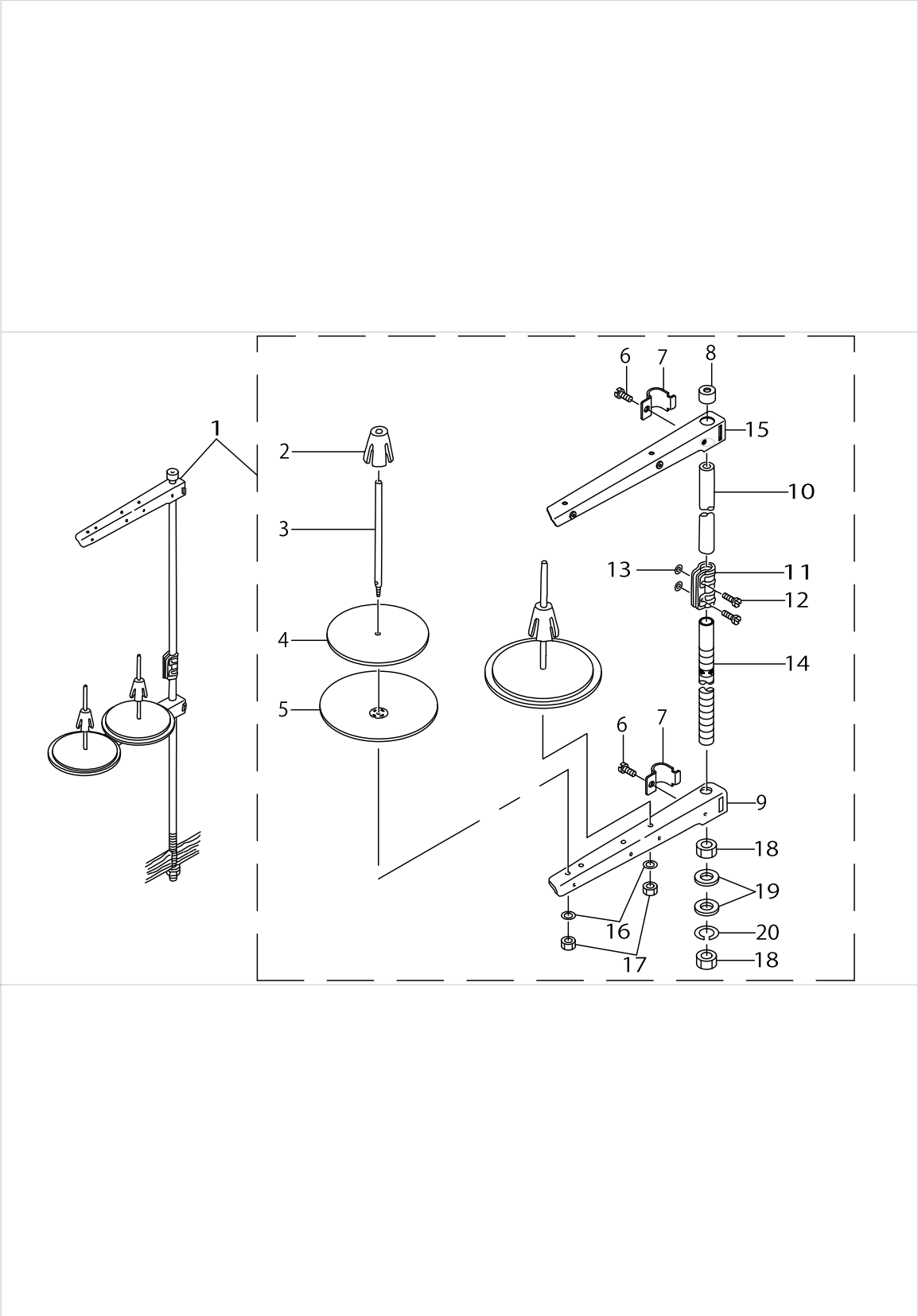


BELT COVER & BOBBIN WINDER COMPONENTS

No.	Supply Code	Parts No.	Replacement	Parts name	Remarks	Choice	Step	Level	Cons	Qty	Rep. QTY
1		11222601		BELT COVER STAY A						1	
2		SS4120915SP		SCREW 3/16-28 L=9						1	
3		SS4150915SP		SCREW 15/64-28 L=9						1	
4	R	11258308	11258357	BELT COVER A						1	1.00
5		11222908		COVER FELT						1	
6		WP0480856SP		WASHER 4.8X8.4X0.8						2	
7		SS7110710SP		SCREW 11/64-40 L=7						2	
8		11258407		BELT COVER B						1	
9		11023603		BELTCOVERCOLLAR						2	
10		SS7701510SP		SCREW 5/16-24 L=15						1	
11		11222700		BELT COVER STAY B						1	
12		22927354		BOBBIN WINDER COMPL.						1	
13	R	22928501	11078250	THREAD TENSION POST BASE				*		1	1.00
14		SS4110515SP		SCREW 11/64-40 L=5				*		1	
15	R	22928907	22921506	THREAD TENSION DISK				*		2	1.00
16		22929004		THREAD TENSION SPRING				*		1	
17		22928808		NUT				*		1	
18		SS7110350SP		SCREW 11/64-40 L=3.5				*		1	
19	D	22928402		CONTROL RUBBER HOLDING PLATE				*		1	
20		22928303		CONTROL RUBBER				*		1	
21		22928105		BOBBIN PRESSER				*		1	
22		SD0490261SP		HINGE SCREW D=4.9 H=2.6				*		1	
23		SS7081310SP		SCREW 1/8-44 L=12.5				*		1	
24	R	22927305	22927354	BOBBIN WINDER BASE				*		1	1.00
25		22927404		BOBBIN WINDER				*		1	
26		22927602		BOBBIN WINDER SPINDLE				*		1	
27	R	SS8110510SP	SS8110520TP	SCREW 11/64-40 L=5				*		1	1.00
28	R	22928709	11078250	THREAD TENSION POST						1	1.00
29		WP0450826SC		WASHER 4.5X10X0.8						2	
30	R	SK3412000SC	SK3412000SE	WOOD SCREW D=4.1 L=20						2	1.00
31		SS7701010SP		SCREW 5/16-24 L=10						1	



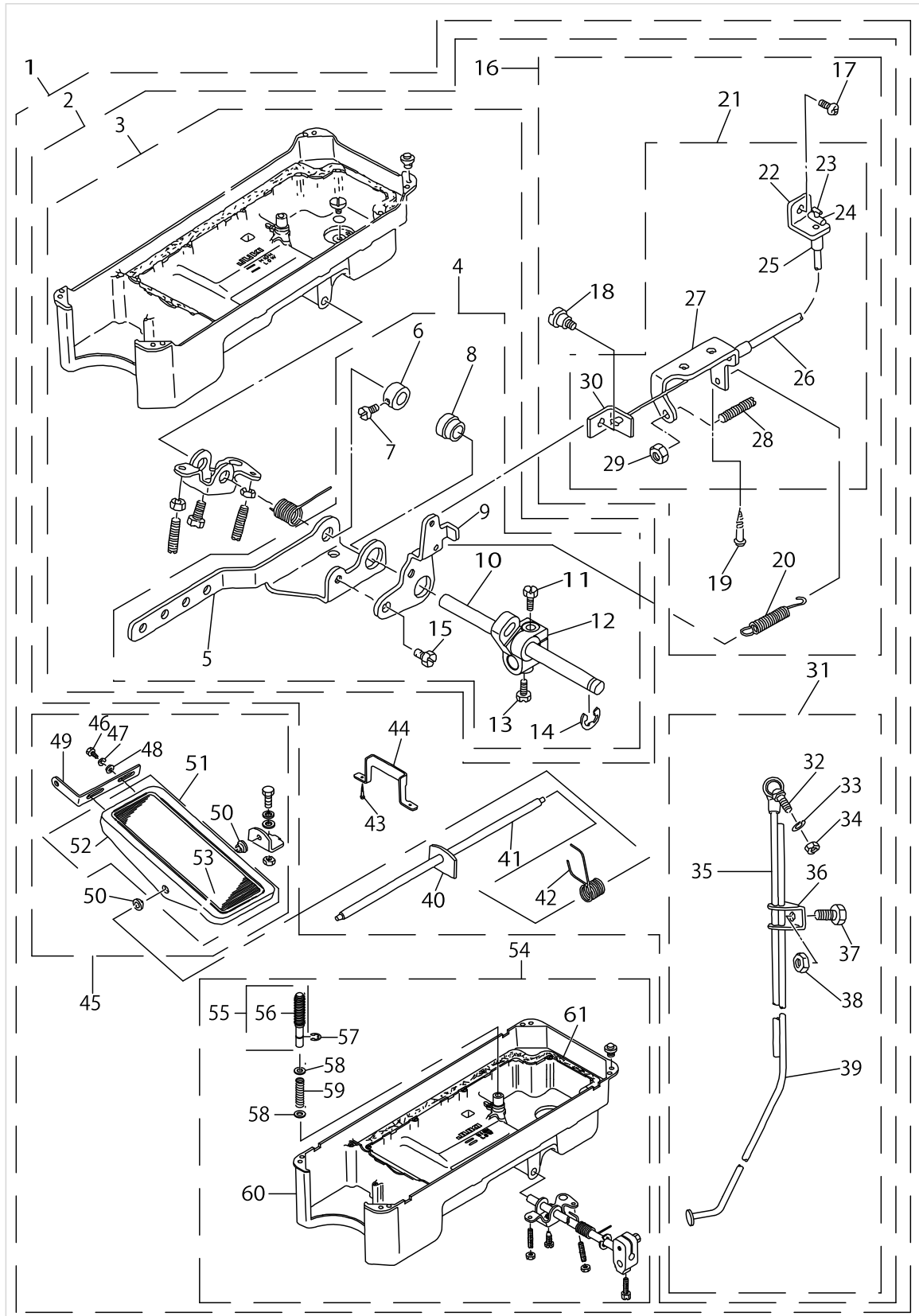
THREAD STAND COMPONENTS



THREAD STAND COMPONENTS

No.	Supply Code	Parts No.	Replacement	Parts name	Remarks	Choice	Step	Level	Cons	Qty	Rep. QTY
1	R	22930358	40096354	THREAD STAND ASM.						1	1.00
2	R	22931109	40085791	SPOOL RETAINER				*		2	1.00
3	R	22931000	40085790	SPOOL PIN				*		2	1.00
4		22930903		SPOOL REST CUSHION				*		2	
5		22930804		SPOOL REST				*		2	
6		SM6061610SC		SCREW M6 L=16				*		2	
7	R	22930705	40096354	THREAD GUIDE ARM JOINT				*		2	1.00
8		22931406		SPOOL REST ROD RUBBER CAP				*		1	
9	R	22930507	40096354	SPOOL REST ARM				*		1	1.00
10	R	22930408	40096354	SPOOL REST ROD UPPER				*		1	1.00
11	R	22931307	40096354	SPOOL REST ROD JOINT				*		1	1.00
12		SM4051405SE		SCREW M5 L=14				*		2	
13		NM6050001SE		NUT M5				*		2	
14	R	22930309	40096354	SPOOL REST ROD LOWER				*		1	1.00
15	R	22930556	40096354	THREAD STANDING ARM ASM.				*		1	1.00
16		WS0510002KN		SPRING WASHER				*		2	
17		NM6050001SE		NUT M5				*		2	
18		NM6160511SE		NUT M16X1.5				*		2	
19		WP1612616SE		WASHER 16.1X30X2.6				*		2	
20	R	WS1643202KR	WP1612616SE	SPRING WASHER		A		*		1	2.00
20	R	WS1643202KR	40085796	SPRING WASHER		A		*		1	2.00

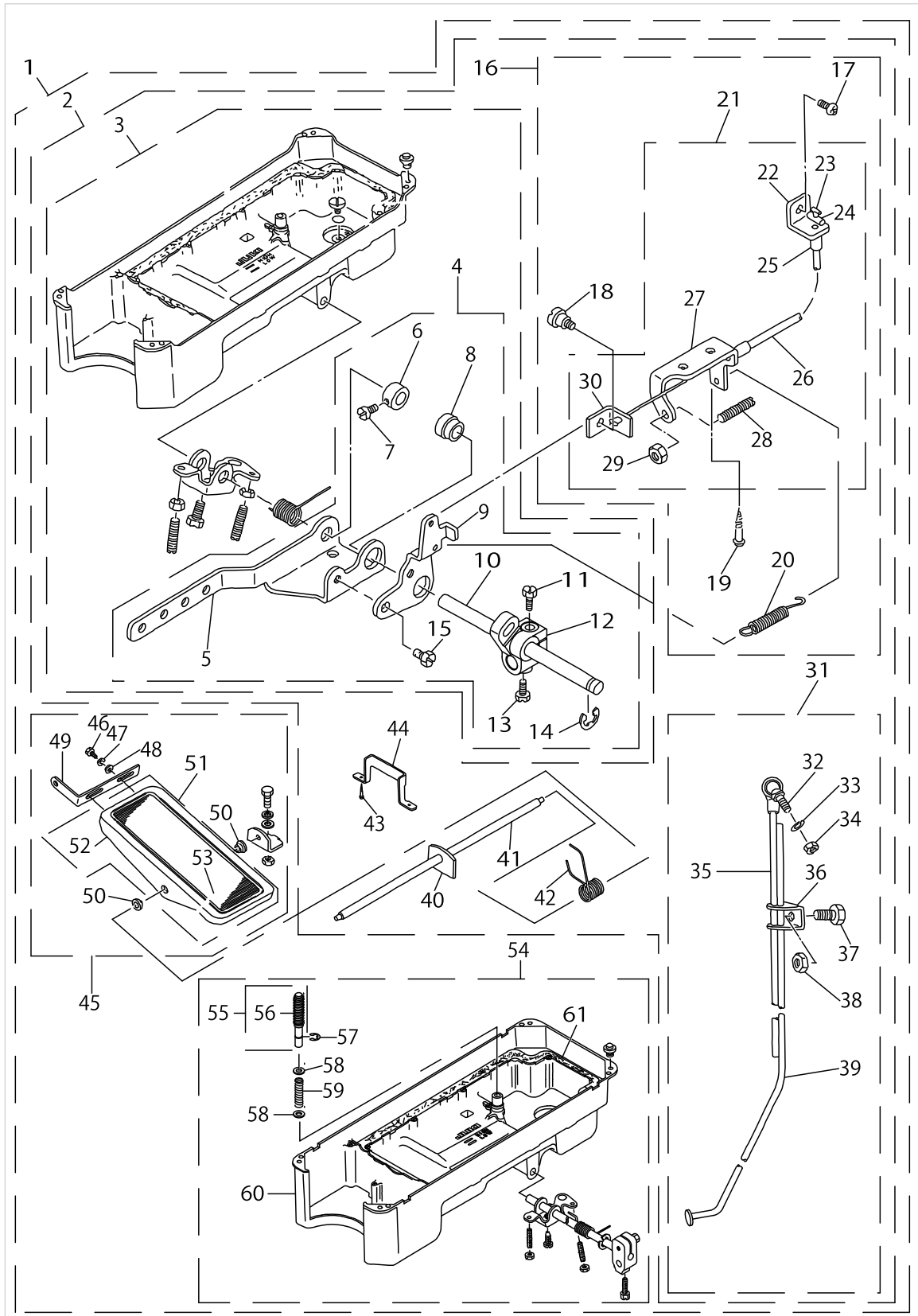
PF-6:PEDAL/KNEE PRESSER-CONTROLLED GATHERING MECHANISM(SPECIAL ORDER PARTS)



PF-6:PEDAL/KNEE PRESSER-CONTROLLED GATHERING MECHANISM(SPECIAL ORDER PARTS)

No.	Supply Code	Parts No.	Replacement	Parts name	Remarks	Choice	Step	Level	Cons	Qty	Rep. QTY
1		GPF060200B0		PF-6: MECHANISH ASM. B						1	
2		GPF060200A0		PF-6: MECHANISH ASM. A				*		1	
3		11245156		OIL RESERVOIR ASM.				*		1	
4		GPF070500A0		GATHERING MECHANISM ASM.				*		1	
5		11245305		PEDAL CONNECTING ARM				*		1	
6		CS1111019SH		THRUST COLLAR D=11.11 W=10				*		1	
7		SS8660530TP		SCREW 1/4-40 L= 4.5				*		1	
8		GPF01012000		SLEEVE				*		1	
9		11245404		DRIVING ARM				*		1	
10		11245206		KNEE PRESSER LIFTING SHAFT				*		1	
11		SS9151540SR		SCREW15/64-28L=15				*		1	
12		22983902		FITTING ARM				*		1	
13		SS9151160CP		SCREW 15/64-28 L=10.5				*		1	
14		RE1000000K0		E-RING 10				*		1	
15		SS9661120CP		SCREW 1/4-40L=10.5				*		1	
16		GPF060300BA		WIRE ASM.				*		1	
17		SS4120915SP		SCREW 3/16-28 L=9				*		1	
18		SD0640241SP		HINGE SCREW D= 6.35 H= 2.4				*		1	
19	R	SK3482500SC	SK3482501SE	WOOD SCREW D=4.8 L=25				*		2	1.00
20		B3417552000		LIFTING LEVER LINK SPRING				*		1	
21		11245552		WIRE ASM.				*		1	
22	R	11245701	11245552	WIRE TUBE SUPPORT PLATE				*		1	1.00
23		GPF01005000		WIRE STOPPER				*		2	
24	D	GPF01004000		WIRE ROLL PIN				*		1	
25	R	GPF01003000	GPF010010B0	WIRE TUBE GUIDE				*		2	1.00
26		GPF01002000		WIRE TUBE				*		1	
27	D	11245602		STOPPER				*		1	
28		SS8153010SR		SCREW15/64-28L=30				*		1	
29		NS6150430SP		NUT 15/64-28				*		1	
30	R	GPF01008000	GPF010010A0A	WIRE SUPPORTER				*		1	1.00
31	R	GPF010150C0	GPF010150B0	CONNECTING ROD ASM.				*		1	1.00
32	R	D7117555BA0	22958557	JOINT BAR A ASM.				*		1	1.00
33		WS0641560KR		SPRING WASHER 6.4X11.9X1.5				*		1	
34		NM6060001SE		NUT M6				*		1	
35		D7115555B0B		CONNECTINGROD(B)				*		1	
36		B7114012000		MOTOR CONNECTING ROD				*		1	
37		SM9081423SE		SCREW M8 L=14				*		1	
38		NM6080721SE		NUT M8				*		1	
39	D	GPF01015000		CONNECTING ROD LOWER				*		1	
40		GPF06017000		PEDAL SHAFT BRACKET				*		1	
41		GPF01016000		PEDAL SHAFT				*		1	
42		11245800		SPRIG				*		1	
43		SK3311600SB		WOOD SCREW D=3.1 L=16				*		2	
44		GPF01011000		WIRE TUBE GUIDE				*		1	
45		GPF060600B0		PEDAL ASM.				*		1	
46		SM9061203SE		SCREW M6 L=12				*		2	

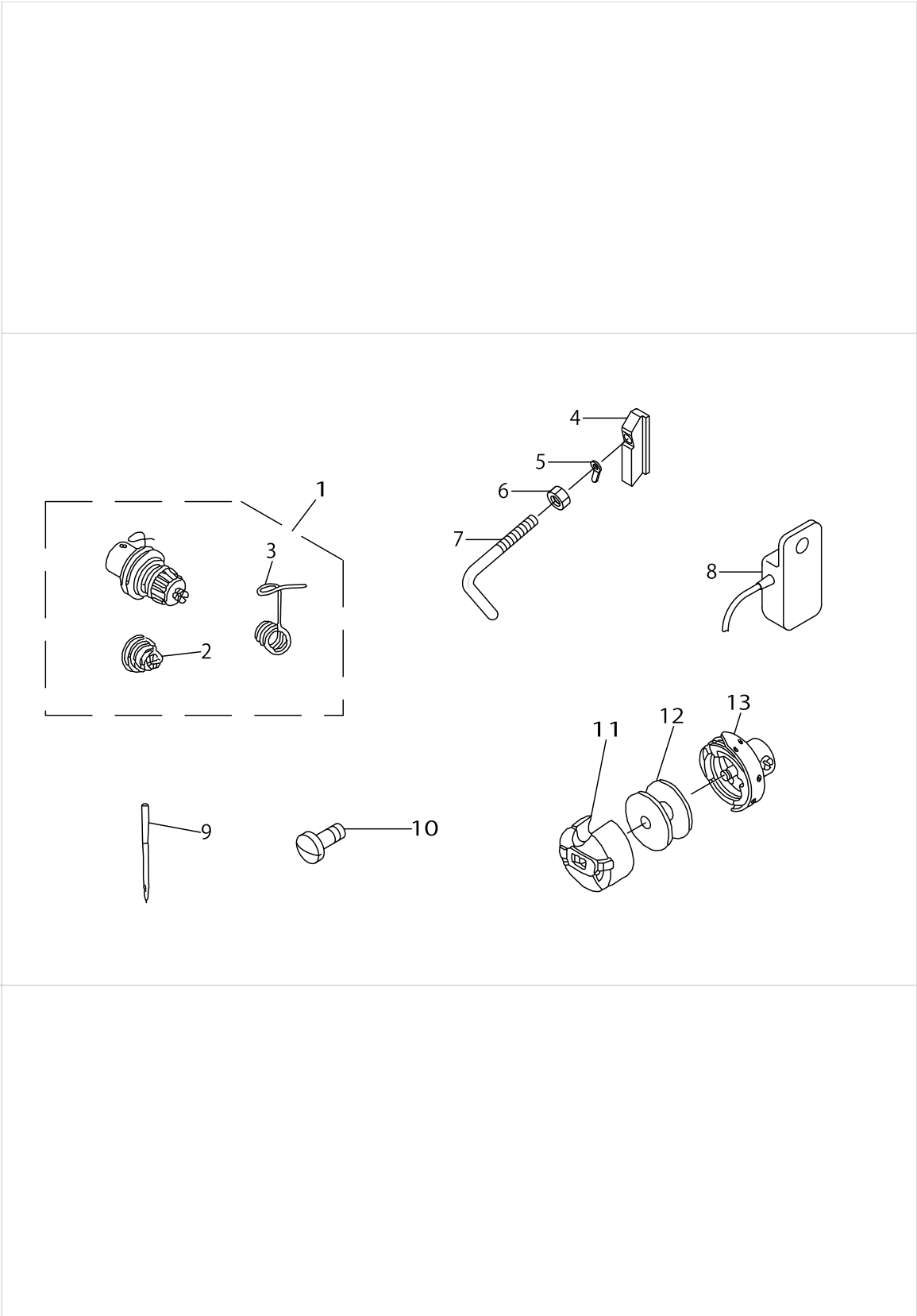
PF-6:PEDAL/KNEE PRESSER-CONTROLLED GATHERING MECHANISM(SPECIAL ORDER PARTS)



PF-6:PEDAL/KNEE PRESSER-CONTROLLED GATHERING MECHANISM(SPECIAL ORDER PARTS)

No.	Supply Code	Parts No.	Replacement	Parts name	Remarks	Choice	Step	Level	Cons	Qty	Rep. QTY
47		WS0621210KR		SPRING WASHER 6.2X11.4X1.2				*		2	
48		WP0671016SE		WASHER 6.7X13X1				*		2	
49		GPF06080000		PEDAL ADJUSTING PLATE				*		1	
50		D8113555B00		PEDAL BUSHING				*		2	
51		GPF060600A0		PEDAL ASM.				*		1	
52	R	GPF06060000	GPF060600A0	PEDAL				*		1	1.00
53		GPF06070000		PEDAL MAT				*		1	
54	R	11247053	11245156	OIL RESERVOIR COMPL.	FOR JE			*		1	1.00
55		GAK300010B0		KNEE PRESS LIFTER ROD ASM.	FOR JE			*		1	
56	R	GAK30004000	GAK300010B0	KNEE PRESS LIFTER ROD RUBBER	FOR JE			*		1	1.00
57		RE0400000K0		E-RING 4	FOR JE			*		1	
58		WP0621016SD		WASHER 6.2X13X1	FOR JE			*		2	
59		GAK30005000		SPRING	FOR JE			*		1	
60	R	11141413	40102085	OIL RESERVOIR	FOR JE			*		1	1.00
61	R	11141900	11024700	GASKET	FOR JE			*		1	1.00

EXCLUSIVE PARTS FOR DLU-5490NE-7



EXCLUSIVE PARTS FOR DLU-5490NE-7

No.	Supply Code	Parts No.	Replacement	Parts name	Remarks	Choice	Step	Level	Cons	Qty	Rep. QTY
1		11230257		THREAD TENSION ASM.						1	
2		D3129555D00		THREAD TENSION SPRING				*		1	
3		D3128555D00		TAKE-UP SPRING				*		1	
4		11403805		THREAD GUIDE C FITTING PLATE						1	
5		11404209		SPACER						1	
6		11404308		NUT						1	
7		22972608		ARMTHREADGUIDEC						1	
8	D	M6006350AAS		RESISTOR PACK AS ASM.						1	
9		MDB1SFB0900		NEEDLE DBX1SF #9						1	
10		11079506		FRONT SCREW						1	
11		B18370120A0		BOBBIN CASE ASM.						1	
12		22964001		BOBBIN A						1	
13		11079456		OIL HOOK ASM.						1	



LIST FOR INFORMATION OF CHANGE (1)

As to the place changed, refer to the corresponding Rev.No.  
 When previous parts(Obsoleted part)and new parts(Added parts)are  
 not interchangeable with each other:  
 In this case,even obsoleted parts(D.)can be ordered with the  
 obsoleted part number,so select the parts with changed dates and  
 place your orders.

変更箇所は、該当Rev.No.版をご参照ください。  
 部品の互換性がない変更の場合は、削除された品番でも、ご注文できます。

29135407  
 No.0906-11 Rev.No.

\*A:Added parts追加部品/D:Obsoleted parts削除部品/E:Erratum訂正

* Rev. No.	Page 頁	Ref. No.	Parts No. 品番	* Rev. No.	Page 頁	Ref. No.	Parts No. 品番
D 10	2	24	111-00104	A 11	2	24	401-11022
D 10	2	65	WP-0501016-SD	A 11	2	65	401-16677
D 10	2	66	WS-0510002-KP				
D 10	2	67	M6006-350-AAA				
D 10	2	68	M6006-350-AAF				
D 10	2	69	SS-4121215-SP				
D 10	4	4	110-39070	A 11	4	4	229-18072
D 10	4	5	110-39062	A 11	4	5	229-18064
D 10	4	6	B1905-541-B00	A 11	4	6	229-18403
				A 11	4	7	229-18502
				A 11	4	8	229-18601
				A 11	4	9	229-18700
D 10	4	7	110-05204	A 11	4	10	229-18106
D 10	4	8	B1408-552-000	A 11	4	11	229-06606
D 10	4	9	B1903-552-000	A 11	4	12	229-18304
D 10	4	10	112-02173	A 11	4	13	400-95789
D 10	4	21	110-02508	A 11	4	21	401-05231
D 10	10	32	110-08703	A 11	10	32	400-89548
D 10	10	33	110-08604	A 11	10	33	400-93417
				A 11	12	52	112-10051
D 10	16	13	110-42553	A 11	16	13	229-50257
D 10	16	14	110-42504	A 11	16	14	229-50208
D 10	16	49	110-43957	A 11	16	49	229-51164
D 10	16	52	110-43205				
D 10	16	53	110-43908	A 11	16	52	401-06930
D 10	16	54	229-51404				
D 10	16	55	WP-0450000-SD				
D 10	16	56	NM-6040000-SN				
D 10	16	57	110-43304				
D 10	16	58	NS-6660410-SH				
D 10	16	59	NS-6660430-SP				
D 10	16	66	HK-0346400-0B				
D 10	17	23	112-28459	A 11	17	23	400-90750
D 10	17	25	112-27600	A 11	17	25	400-90752
D 10	17	29	112-28400	A 11	17	29	400-90751



## HOW TO MAKE USE OF THIS PARTS LIST

### 1.Explanation of codes

1)"\*"mark.....means this part is changed from the previous parts book.

As to the details of the change, refer to the "List for information of change".

2)"#01".....refer to "Note" explanation at bottom of page.

### 2.Codes on the "Qty" column

- Each numeral indicates the number of parts required.
- "0.1" and "2.5" indicate the length (in meters) of the respective parts.

3.Parentheses mean that the corresponding part is a subpart that constructs an assembly part.

4.Dotted lines on the Figures indicate assembly parts.

### 1."注記"欄の記号説明

1) "\*"印.....前回のパーツブックに比較して今回変更された部品を意味します。

変更内容は、"変更情報リスト"を参照してください。

2) "#01".....ページ下の"注記"の説明を参照してください。

2.数量欄の数字は、個数を表し、0.1、2.5等の数値は、長さ（単位メートル）を表します。

3.数量欄の（ ）は、組部品を構成している子部品であることを意味します。

4.イラストページの-----枠は、組構成であることを意味します。

# NUMERICAL INDEX OF PARTS

PART NO	PAGE	REF NO.	PART NO	PAGE	REF NO.	PART NO	PAGE	REF NO.
11002409	6	20	11202207	6	25	11212354	24	34
11003308	2	15	11202306	6	27	11212503	24	40
11004207	8	26	11203106	8	25	11212610	24	28
11008703	22	75	11204013	12	34	11212701	24	31
11009800	16	9-44	11204112	12	29	11212800	24	32
11010303	16	21	11204161	12	26	11212909	24	4
11010907	18	45	11204211	12	27	11213006	24	16
11015906	8	38	11204302	14	67	11213311	22	68
11017357	6	2	11204401	12	33	11214004	20	43
11023017	36	2	11204559	12	19	11214103	20	22
11023603	38	9	11204609	12	20	11214152	20	21
11024304	36	34	11205002	12	22	11214202	22	73
11024700	36	3	11205101	12	9	11214301	20	20
11030202	2	23	11205150	12	5	11214400	20	29
11035003	8	3	11205218	14	69	11214509	20	40
11037405	16	23	11205309	12	12	11214608	20	28
11038650	8	41	11205408	12	13	11214756	20	31
11038759	8	43	11205507	12	45	11214806	20	36
11038809	8	32	11206000	16	20	11214905	20	37
11040052	26	5	11206208	16	4	11215019	20	34
11040854	26	45	11206307	16	6	11215118	20	32
11040953	26	44	11206406	16	8	11215209	12	42
11047057	36	1	11206463	16	2	11215258	12	40
11047107	36	4	11206653	24	3	11216009	22	72
11071453	6	33	11210002	22	53	11216157	20	1
11071909	16	14	11210051	22	52	11216306	22	65
11079456	46	13	11210119	20	14	11216405	20	12
11079506	46	10	11210200	20	16	11216504	20	11
11101300	30	17	11210325	22	58	11216603	20	5
11101508	30	18	11210408	22	61	11216652	20	3
11102308	30	12	11210507	22	60	11216702	20	6
11141207	10	48	11210614	22	63	11216801	20	7
11141355	10	47	11210705	22	49	11216918	14	66
11141413	36	31	11210754	22	47	11217114	12	38
11141413	44	60	11210804	22	51	11217213	12	37
11141454	36	26	11210903	22	64	11217353	12	25
11141900	36	32	11211000	20	44	11217601	12	35
11141900	44	61	11211109	24	22	11220001	14	50
11200201	2	6	11211208	24	36	11220100	12	17
11200300	4	54	11211307	24	23	11220209	4	45
11200409	4	53	11211455	24	6	11220308	14	65
11200607	2	3	11211851	24	12	11221504	34	32
11200805	4	55	11212008	24	39	11221603	34	12
11202009	6	3	11212156	24	5	11221652	34	7
11202116	6	15	11212206	24	29	11221702	34	11

# NUMERICAL INDEX OF PARTS

PART NO	PAGE	REF NO.	PART NO	PAGE	REF NO.	PART NO	PAGE	REF NO.
11221801	34	10	11258308	38	4	22912109	16	12
11221900	34	14	11258407	38	8	22912901	18	50
11222007	34	5	11313103	26	7	22913008	18	60
11222601	38	1	11403805	46	4	22913701	16	22
11222700	38	11	11404209	46	5	22915003	18	64
11222908	38	5	11404308	46	6	22915151	18	56
11225356	6	35	11415205	4	66	22915201	18	48
11226016	8	11	22900401	2	14	22915359	18	62
11226107	8	4	22900609	2	31	22916001	8	31
11230117	12	36	22900757	2	8	22916100	8	34
11230257	46	1	22901003	4	63	22916308	8	27
11230562	14	56	22901201	4	60	22916506	8	39
11230802	12	15	22901250	4	59	22916555	8	37
11231503	34	36	22901300	4	61	22917058	8	35
11232055	26	1	22901409	8	1	22917157	8	29
11232105	26	3	22901805	4	69	22918064	6	5
11233053	32	18	22904155	6	23	22918072	6	4
11233251	32	21	22904155	18	58	22918106	6	10
11233301	32	7	22905004	8	24	22918304	6	12
11233400	32	4	22906101	8	2	22918403	6	6~9
11233657	32	13	22906200	8	9	22918502	6	6~9
11234150	32	12	22906457	8	5	22918601	6	6~9
11234408	32	6	22906606	6	11	22918700	6	6~9
11234507	32	16	22907307	12	32	22919203	6	37
11234606	32	8	22907406	12	24	22920409	14	48
11240108	10	46	22907802	12	2	22920508	2	35
11245156	42	3	22908156	12	6	22920607	4	57
11245206	42	10	22908305	12	8	22920805	8	8
11245305	42	5	22908552	12	4	22921001	2	36
11245404	42	9	22908909	12	18	22921209	2	43
11245552	42	21	22910004	6	45	22921308	2	38
11245602	42	27	22910053	6	43	22921407	2	39
11245701	42	22	22910103	6	28	22921506	2	42
11245800	42	42	22910350	18	54	22921605	4	44
11247053	44	54	22910459	16	1	22921704	2	40
11255650	2	5	22910806	16	35	22921803	2	41
11255809	2	2	22910905	16	31	22923015	34	23
11256252	6	29	22910905	22	57	22923056	34	19
11256708	24	35	22911002	18	51	22923205	34	29
11256807	24	9	22911002	22	55	22923312	34	20
11257359	2	37	22911101	16	18	22923403	34	27
11257607	30	11	22911101	20	18	22923502	34	25
11257755	30	1	22911705	16	9-44	22923601	34	26
11258001	32	2	22911804	16	11	22923700	34	24
11258159	32	1	22912000	16	13	22923809	34	28

NUMERICAL INDEX OF PARTS

PART NO	PAGE	REF NO.	PART NO	PAGE	REF NO.	PART NO	PAGE	REF NO.
22923908	34	22	22935407	4	64	22962500	30	20
22924005	34	35	22937965	6	36	22962609	30	22
22924500	34	16	22940654	16	40	22962708	26	11
22924609	34	31	22940753	16	25	22962807	14	59
22924807	28	57	22940803	16	38	22964001	46	12
22924906	34	17	22940951	16	34	22972608	46	7
22925002	34	18	22942601	8	40	22983902	42	12
22927305	38	24	22944508	14	55	40010359	16	30
22927354	38	12	22944607	14	58	40071856	16	26
22927404	38	25	22944706	14	47	40078218	20	15
22927602	38	26	22945109	14	62	40080424	16	17
22928105	38	21	22945406	2	26	40087245	26	30
22928303	38	20	22945463	2	25	40089548	16	32
22928402	38	19	22945505	2	29	40090058	8	7
22928501	38	13	22945604	2	27	40090750	30	23
22928709	38	28	22945703	2	30	40090751	30	29
22928808	38	17	22945802	2	28	40090752	30	25
22928907	38	15	22947006	34	1	40093417	16	33
22929004	38	16	22947907	26	6	40095789	6	13
22930309	40	14	22948301	26	35	40101720	36	16
22930358	40	1	22948400	26	37	40105231	6	21
22930408	40	10	22949002	26	43	40106930	28	52
22930507	40	9	22949101	26	40	40111022	2	24
22930556	40	15	22949200	26	41	40112705	32	15
22930705	40	7	22949309	26	38	40116677	4	65
22930804	40	5	22949408	26	29	B1109450B0B	4	49
22930903	40	4	22949754	26	24	B1191490000	4	51
22931000	40	3	22949762	26	23	B1211980000	24	18
22931109	40	2	22949903	28	50	B1213552000A	6	39
22931307	40	11	22950109	26	31	B1215552000	6	26
22931406	40	8	22950208	26	14	B1226552000	6	41
22932107	36	8	22950257	26	13	B1242980000	24	27
22932156	36	7	22950356	26	15	B13050120A0	8	15
22932206	36	11	22950703	26	25	B13061550A0	8	17
22932305	36	17	22950851	26	19	B13061550B0	8	14
22932404	36	14	22950950	26	21	B13061550C0	8	13
22932453	36	13	22951008	28	53	B13071550A0	8	20
22932909	8	42	22951164	28	49	B13071550B0	8	19
22934202	36	21	22951552	28	58	B13081550A0	8	22
22934251	36	19	22954101	30	4	B1521555000	12	1
22934301	36	22	22954200	30	5	B1524491BB0	14	68
22934400	36	20	22954309	30	6	B1609804B00	20	2
22934509	36	24	22954606	30	2	B1613450A00	16	27
22934608	36	25	22954705	2	13	B1641490000	24	26
22934707	36	15	22958300	2	11	B1644490000	24	25

NUMERICAL INDEX OF PARTS

PART NO	PAGE	REF NO.	PART NO	PAGE	REF NO.	PART NO	PAGE	REF NO.
B18370120A0	46	11	GPF060200A0	42	2	RE0400000K0	14	49
B2920490000	24	14	GPF060200B0	42	1	RE0400000K0	26	39
B3016450000A	22	67	GPF060300BA	42	16	RE0400000K0	30	30
B3026490B00	20	38	GPF06060000	44	52	RE0400000K0	36	33
B3037470000	24	13	GPF060600A0	44	51	RE0400000K0	44	57
B3118552C00	4	48	GPF060600B0	42	45	RE0500000K0	12	14
B3404122000	34	8	GPF06070000	44	53	RE0500000K0	16	29
B3417552000	42	20	GPF06080000	44	49	RE0500000K0	26	51
B3536122000	34	9	GPF070500A0	42	4	RE0500000K0	28	51
B412352200B	22	71	HA001900000	30	13	RE0500000KP	30	19
B7114012000	42	36	HA00600000A	32	19	RE0600000K0	26	34
BT0600402EA	34	3	HK034610140	26	46	RE0700000K0	20	10
CM300200001	4	67	HK03464000B	30	10	RE0900000K0	32	14
CM301300001	4	68	HW500070000	30	9	RE1000000K0	36	12
CQ252000000	34	15	HX000430000	6	42	RE1000000K0	42	14
CS064061ASP	14	51	M40071100AA	6	34	RE1200000K0	30	26
CS070061ASD	24	1	M6006350AAS	46	8	RO029180100	6	40
CS1111019SH	42	6	MC200500750	8	44	RO037180100	12	3
CS120101BSH	20	45	MDB100B1100	8	45	RO044240100	6	18
D2104490D00	32	11	MDB100B1400	8	12	RO069180100	24	24
D2406555D0H	26	10	MDB1SFB0900	46	9	RO092270200	16	15
D2464555B00	30	31	NM6040001SD	20	25	RO098240100	36	6
D2468555B00	30	28	NM6050001SE	40	17	RO133170100	4	47
D3128555D00	46	3	NM6060001SE	36	18	RO195240100	34	2
D3129555D00	46	2	NM6060001SE	42	34	SD0460703TP	26	2
D7115555B0B	42	35	NM6080721SE	42	38	SD0490261SP	38	22
D7117555BA0	42	32	NM6160511SE	40	18	SD0500095TH	26	4
D8113555B00	44	50	NS6110310SP	20	41	SD0550212TP	32	9
GAK300010B0	36	27	NS6110310SP	24	38	SD0600322SD	12	11
GAK300010B0	44	55	NS6110420SP	30	16	SD0600361SP	28	55
GAK30004000	36	28	NS6120310SP	20	24	SD0630275SP	26	18
GAK30004000	44	56	NS6150430SP	26	33	SD0640241SP	42	18
GAK30005000	36	30	NS6150430SP	42	29	SD0640451TP	20	8
GAK30005000	44	59	NS6620310SP	12	44	SD0640631TP	28	48
GPF01002000	42	26	NS6620310SP	20	62	SD0641451SP	26	17
GPF01003000	42	25	NS6620310SP	22	62	SD0700451TP	30	21
GPF01004000	42	24	NS6680410SP	18	53	SD0700711TP	30	33
GPF01005000	42	23	PS0150065KP	24	11	SD0720331SP	12	16
GPF01008000	42	30	RC0150001KP	16	61	SD1000701TP	24	10
GPF01011000	42	44	RC0150001KP	18	61	SD1000801SH	18	49
GPF01012000	42	8	RC0260415KP	12	39	SE4301041SR	34	30
GPF01015000	42	39	RC0330415KP	20	35	SK3311600SB	42	43
GPF010150C0	42	31	RC1850001KP	6	22	SK3412000SC	38	30
GPF01016000	42	41	RE0300000K0	32	17	SK3482500SC	42	19
GPF06017000	42	40	RE0320000K0	24	33	SL4030631SC	32	3

NUMERICAL INDEX OF PARTS

PART NO	PAGE	REF NO.	PART NO	PAGE	REF NO.	PART NO	PAGE	REF NO.
SL4030641SE	32	20	SS6060210SP	4	62	SS7110910TP	22	69
SL4030851SF	34	21	SS6080340SP	34	4	SS7111120SP	18	63
SL4051001MZ	6	38	SS6080410SP	2	7	SS7111410TP	22	70
SM4031501SC	30	8	SS6090510SP	24	2	SS7120770SH	16	10
SM4040655SP	30	3	SS6090510SP	26	16	SS7121410TP	16	41
SM4041655SP	30	7	SS6090620TP	16	52	SS7121610SP	18	57
SM4051405SE	40	12	SS6090620TP	18	52	SS7620750SP	24	21
SM6061610SC	40	6	SS6090630SP	20	13	SS7681650TP	6	14
SM8063012TR	36	10	SS6090670TP	8	6	SS7701010SP	38	31
SM9061203SE	36	23	SS6090670TP	16	7	SS7701510SP	38	10
SM9061203SE	42	46	SS6090910SP	12	31	SS8090410SP	4	46
SM9081423SE	42	37	SS6110420TP	8	30	SS8110410TP	8	36
SQ1150501SD	34	6	SS6110610TP	4	58	SS8110422TP	14	54
SS1120710SP	4	52	SS6110610TP	20	39	SS8110510SP	38	27
SS2060210SP	26	8	SS6110710TP	28	54	SS8110520TP	26	22
SS2110915SP	4	50	SS6110710TP	32	22	SS8120410SP	20	26
SS4080620TP	12	28	SS6110820TP	24	7	SS8120740SP	22	74
SS4080620TP	16	28	SS6111010TP	34	34	SS8150410TP	20	30
SS4080620TP	26	9	SS6111030TP	24	15	SS8150710TP	2	34
SS4090615SP	6	19	SS6111210SP	6	30	SS8150710TP	16	36
SS4090815SP	22	59	SS6121220TP	12	43	SS8151150TP	6	1
SS4110515SP	14	61	SS6121220TP	16	5	SS8151550SP	6	32
SS4110515SP	16	24	SS6121220TP	20	66	SS8153010SR	42	28
SS4110515SP	38	14	SS6121220TP	22	66	SS8660410SP	22	46
SS4110715SP	26	28	SS6121250TP	20	4	SS8660530TP	22	54
SS4110915TP	8	33	SS6121250TP	24	19	SS8660530TP	42	7
SS4120615SP	2	70	SS6121610SP	18	55	SS8660610TP	6	24
SS4120615SP	4	70	SS6121860SP	16	16	SS8660610TP	14	64
SS4120615SP	14	63	SS6660610TP	26	20	SS8660610TP	18	59
SS4120615SP	24	30	SS6661110SP	6	44	SS8660810TP	8	23
SS4120615SP	34	13	SS6700710SH	36	5	SS8681650TP	6	16
SS4120915SP	2	12	SS7080510TP	8	10	SS9111113TP	24	37
SS4120915SP	8	28	SS7081310SP	38	23	SS9151160CP	42	13
SS4120915SP	30	15	SS7090410SP	32	10	SS9151540SR	42	11
SS4120915SP	38	2	SS7090610SP	26	42	SS9661120CP	42	15
SS4120915SP	42	17	SS7090620TP	14	52	TA0850604R0	2	9
SS4121015SP	2	4	SS7090910SP	20	17	TA0850604R0	20	27
SS4121015SP	32	23	SS7090910TP	22	50	TA1250406R0	4	56
SS4150915SP	14	46	SS7110350SP	38	18	TA1250705R0	2	10
SS4150915SP	28	47	SS7110570SP	20	19	TA1470702R0	2	16
SS4150915SP	30	32	SS7110710SP	38	7	TA1470704R0	2	19
SS4150915SP	34	39	SS7110740TP	14	60	TA1750502R0	24	20
SS4150915SP	38	3	SS7110740TP	16	43	TA2000502R0	2	20
SS4151215SP	28	56	SS7110740TP	30	24	TA2101002R0	2	22
SS4151215SP	34	33	SS7110910TP	12	30	WP0450801SD	6	31



## NUMERICAL INDEX OF PARTS

PART NO	PAGE	REF NO.
WP0450826SC	38	29
WP0480856SP	16	42
WP0480856SP	38	6
WP0553216SD	30	14
WP0600816SP	24	8
WP0621016SD	36	29
WP0621016SD	44	58
WP0621016SH	26	32
WP0650816SP	12	21
WP0661016SP	12	23
WP0671016SE	44	48
WP0722316SH	30	34
WP1221016SP	32	5
WP1612616SE	40	19
WP1703001SC	30	27
WS0451040KP	34	37
WS0510002KN	40	16
WS0621210KR	44	47
WS0641560KR	42	33
WS0651310KP	34	38
WS1643202KR	40	20
WT0530002KS	2	21