

MODEL : DLN-5410N SERIES

List No : 0904-07

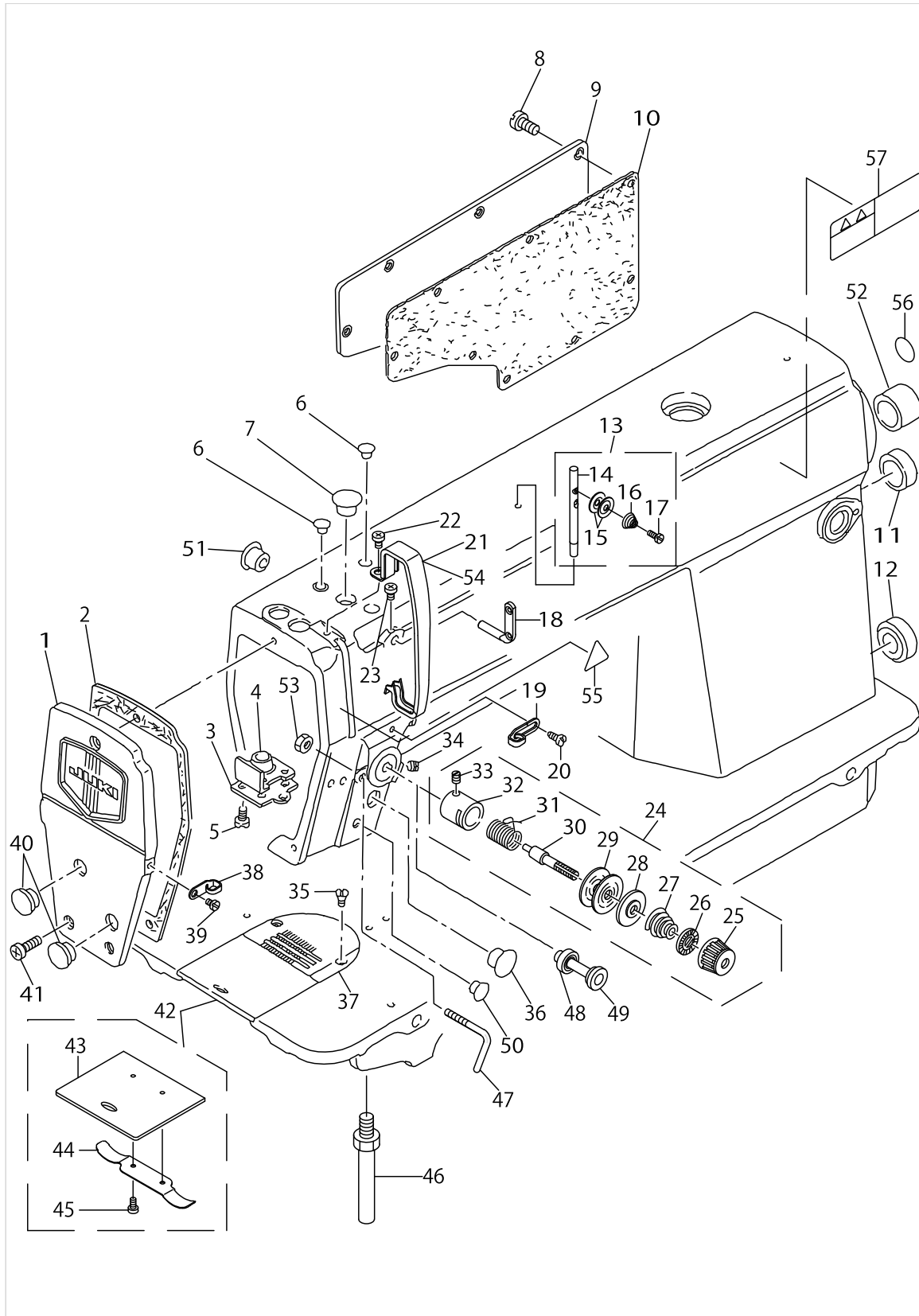
PARTS LIST

Published:05/12/2017

CONTENTS

MACHINE FRAME & MISCELLANEOUS COVER COMPONENTS	1
MAIN SHAFT & THREAD TAKE-UP LEVER COMPONENTS	5
NEEDLE BAR, UPRIGHT SHAFT & HOOK DRIVING SHAFT COMPONENTS	7
HAND LIFTER COMPONENTS	9
FEED MECHANISM COMPONENTS.....	11
NEEDLE BAR FRAME COMPONENTS.....	15
OIL LUBRICATION COMPONENTS	17
OIL RESERVOIR COMPONENTS	19
BELT COVER & BOBBIN WINDER COMPONENTS	21
THREAD STAND COMPONENTS.....	23
EXCLUSIVE PARTS FOR DLN-5410NH.....	25
EXCLUSIVE PARTS FOR DLN-5410NL.....	27
LIST FOR INFORMATION OF CHANGE.....	29
HOW TO MAKE USE OF THIS PARTS LIST	30

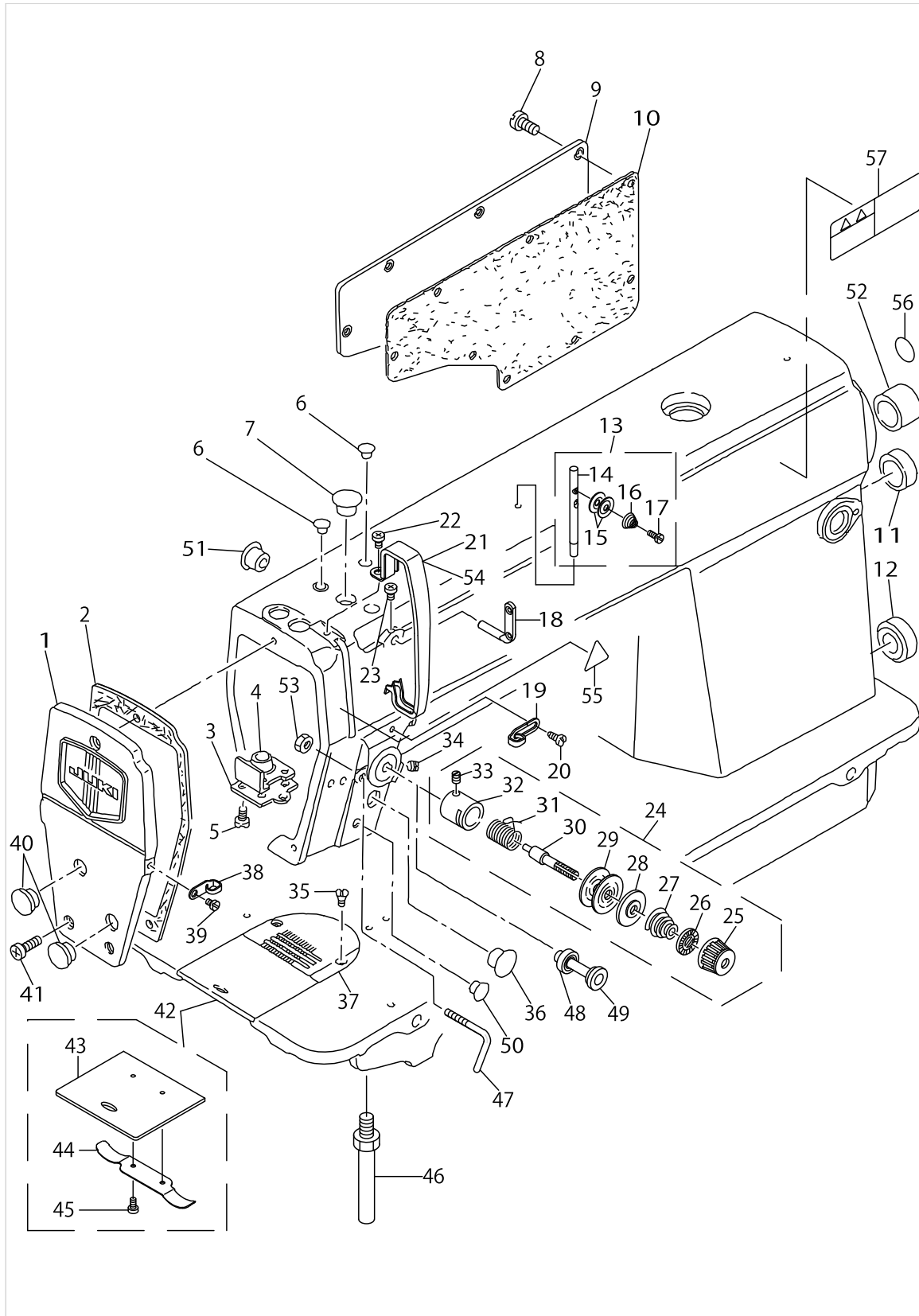
MACHINE FRAME & MISCELLANEOUS COVER COMPONENTS



MACHINE FRAME & MISCELLANEOUS COVER COMPONENTS

No.	Supply Code	Parts No.	Replacement	Parts name	Remarks	Choice	Step	Level	Cons	Qty	Rep. QTY
1		11325750		FACE PLATE ASM.						1	
2		11300506		FACE PLATE GASKET						1	
3		11300407		PRESSER BAR SUPPORT						1	
4		11300605		GASKET						1	
5		SS1120710SP		SCREW 3/16-28 L=6.7						4	
6		TA0850604R0		RUBBER PLUG						2	
7		TA1250705R0		RUBBER PLUG						1	
8		SS4120915SP		SCREW 3/16-28 L=9						8	
9		22900401		WINDOW PLATE						1	
10		11003308		GASKET						1	
11		TA2000502R0		RUBBER PLUG						1	
12		TA2101002R0		RUBBER PLUG						1	
13		22932552		NEEDLE THREAD GUIDE PIN ASM.						1	
14	R	22932503	22932552	THREAD GUIDE ROD				*		1	1.00
15	D	22932602		THREAD GUIDE DISK				*		2	
16	R	22932701	26021600	THREAD GUIDE DISK SPRING				*		1	1.00
17		SD0380552SL		HINGE SCREW D=3.8 H=5.5				*		1	
18		22920706		TWO EYELET						1	
19		22920508		ARMTHREADGUIDEA						1	
20		22921001		SCREW						1	
21		22900609		THREAD TAKE-UP LEVER COVER						1	
22		SS4120615SP		SCREW 3/16-28 L=6						1	
23		SS4120615SP		SCREW 3/16-28 L=6						1	
24		22945356		THREAD TENSION ASM.						1	
25		22921308		THREAD TENSION NUT				*		1	
26		22921407		ROTATION STOPPER				*		1	
27		22921704		THREAD TENSION SPRING, A				*		1	
28		22921803		DISK STOPPER				*		1	
29		22921506		THREAD TENSION DISK				*		2	
30		22921209		THREAD TENSION POST				*		1	
31		22921605		THREAD TAKE-UP SPRING				*		1	
32		22945307		THREAD TENSION POST BASE				*		1	
33		SS8090670SP		SCREW 9/64-40 L=5.5				*		1	
34		SS8150710TP		SCREW 15/64-28 L=7						1	
35		SS2110920TP		SCREW 11/64-40 L=8.5						2	
36		TA1250504R0		RUBBER PLUG						1	
37		11300308		THROAT PLATE						1	
38		22920607		ARMTHREADGUIDEB						1	
39		SS6110610TP		SCREW 11/64-40 L=6						1	
40		TA1250406R0		RUBBER PLUG D=12.5 L=4						2	
41		SS4121015SP		SCREW 3/16-28 L=10						3	
42		22901250		SLIDE PLATE ASM.						1	
43	R	22901201	22901250	SLIDE PLATE				*		1	1.00
44		22901300		SLIDE PLATE SPRING				*		1	
45		SS6060210SP		SCREW 3/32-56 L=1.9				*		2	
46		22901003		BED SCREW STUD						4	

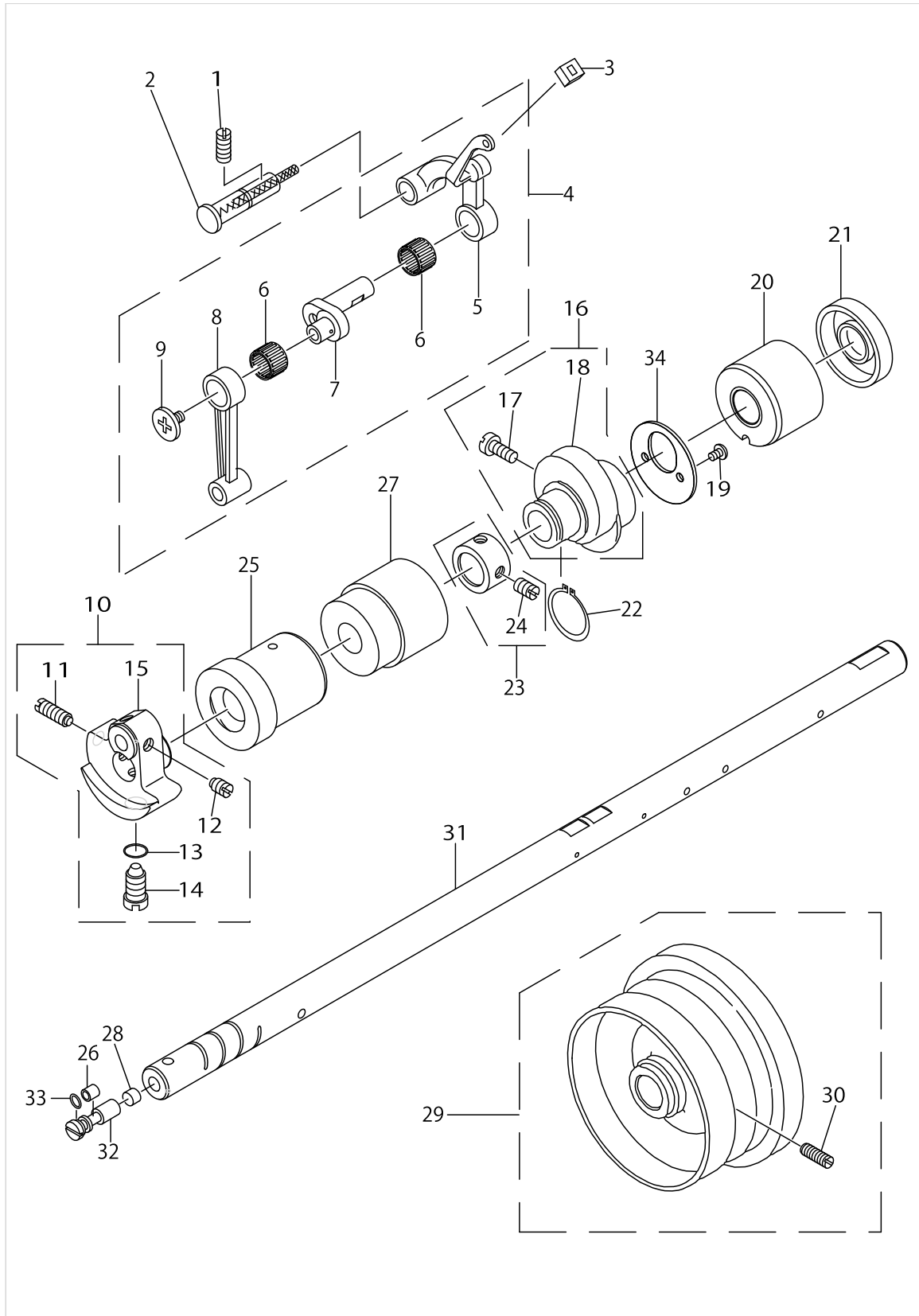
MACHINE FRAME & MISCELLANEOUS COVER COMPONENTS



MACHINE FRAME & MISCELLANEOUS COVER COMPONENTS

No.	Supply Code	Parts No.	Replacement	Parts name	Remarks	Choice	Step	Level	Cons	Qty	Rep. QTY
47		22972608		ARMTHREADGUIDE C						1	
48		B31334150A0		TENSION RELEASE PIN CAP ASM.						1	
49		B3136415000		CAP RING						1	
50		TA0850604R0		RUBBER PLUG						1	
51		TA1250504R0		RUBBER PLUG						1	
52		TA2101002R0		RUBBER PLUG						1	
53		NS6090310SP		NUT 9/64-40						1	
54	R	22901904	11415205	THREAD TAKE-UP LEVER COVER	FOR JE					1	1.00
55		CM300200001		ATTENTION SEAL						1	
56		22901805		GROUND MARK						1	
57		CM301300001		SAFETY LABEL						1	

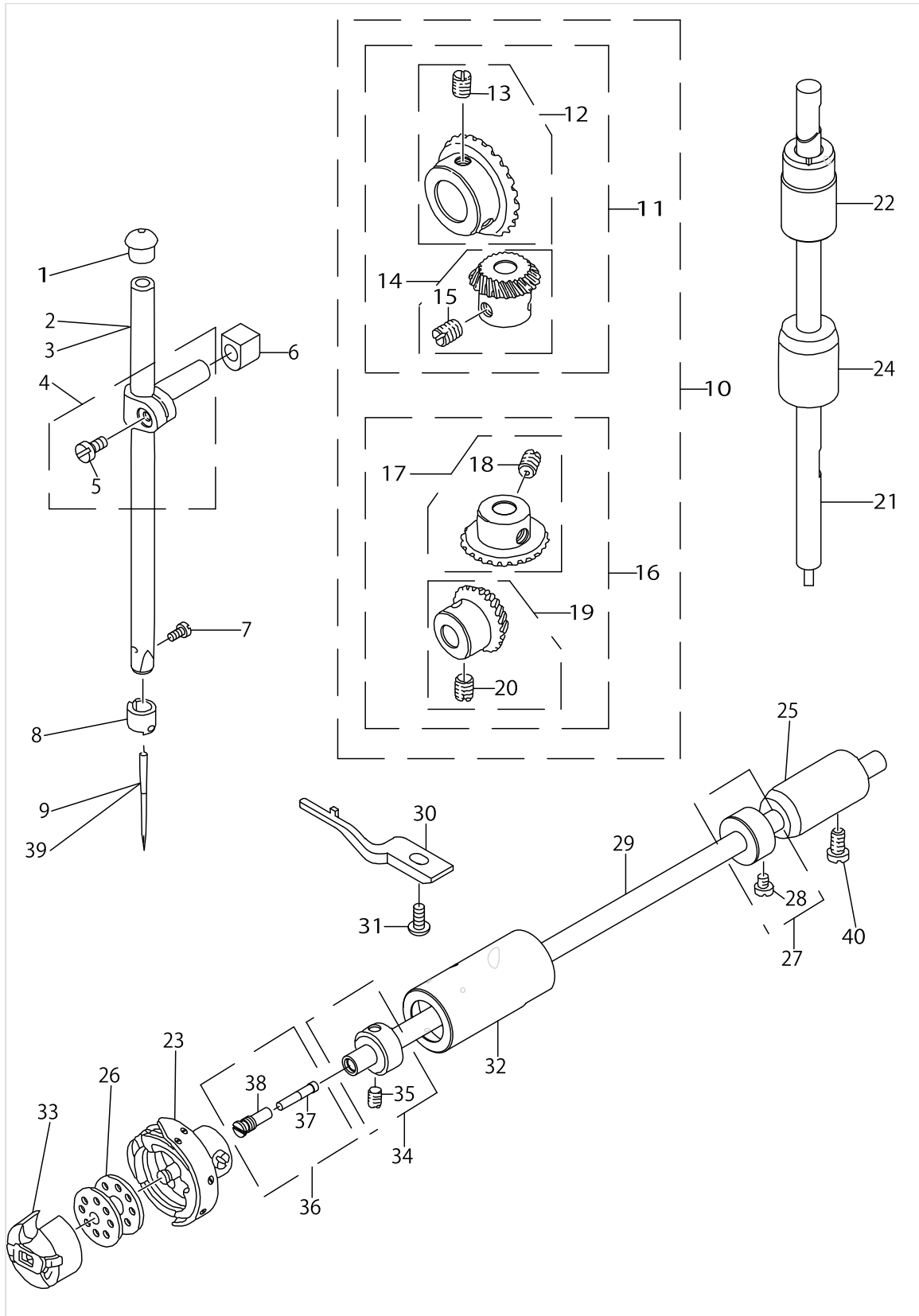
MAIN SHAFT & THREAD TAKE-UP LEVER COMPONENTS



MAIN SHAFT & THREAD TAKE-UP LEVER COMPONENTS

No.	Supply Code	Parts No.	Replacement	Parts name	Remarks	Choice	Step	Level	Cons	Qty	Rep. QTY
1		SS8151150TP		SCREW 15/64-28 L=10.5						1	
2		11017357		THREAD TAKE-UP CRANK SHAFT ASM.						1	
3		22919203		OIL PROTECTING RUBBER						1	
4	R	11039070	22918072	THREAD TAKE-UP LEVER ASM.						1	1.00
5	R	11039062	22918072	THREAD TAKE-UP LEVER ASM.				*		1	1.00
6		B1905541B00		NEEDLE BEARING	SELECTIVE PARTS			*		2	
7	R	11005204	22918106	NEEDLE BAR CRANK				*		1	1.00
8	R	B1408552000	22906606	NEEDLE BAR CRANK ROD				*		1	1.00
9		B1903552000		LEFT SCREW				*		1	
10		22903157		COUNTER WEIGHT ASM.						1	
11		SS8681650TP		SCREW 9/32-28 L=16				*		1	
12		SS8660610TP		SCREW 1/4-40 L=6				*		2	
13		RO044240100		RUBBER RING				*		1	
14		SS7681650TP		SCREW 9/32-28 L=16				*		1	
15	R	22903108	22903157	COUNTER WEIGHT				*		1	1.00
16		11302353		FEED DRIVE ECCEN-TRIC CAM ASM.						1	
17		SS6661110SP		SCREW 1/4-40 L=11				*		2	
18	R	11302304	11302353	FEED DRIVE ECCENTRIC CAM				*		1	1.00
19		SS4090615SP		SCREW 9/64-40 L=6						2	
20		11002409		MAIN SHAFT BUSHING, REAR						1	
21	R	11002508	40105231	OIL SEAL						1	1.00
22		RC1850001KP		SNAP RING 18.5						1	
23		22904155		MAIN SHAFT THRU-ST COLLAR ASM.						1	
24		SS8660610TP		SCREW 1/4-40 L=6				*		2	
25		11300902		BUSHING, FRONT						1	
26		B1215552000		OIL ADJUSTING COLLAR						1	
27		11202306		BUSHING, INTERMEDIATE						1	
28		11002904		ROLLER FELT						1	
29		11071362		FLYWHEEL ASM.						1	
30		SS8151550SP		SCREW 15/64-28 L=15				*		2	
31		22903009		MAIN SHAFT						1	
32		22903900		ADJUSTING PIN						1	
33		RO029180100		RUBBER RING						1	
34		22910103		THRUST COLLAR						1	

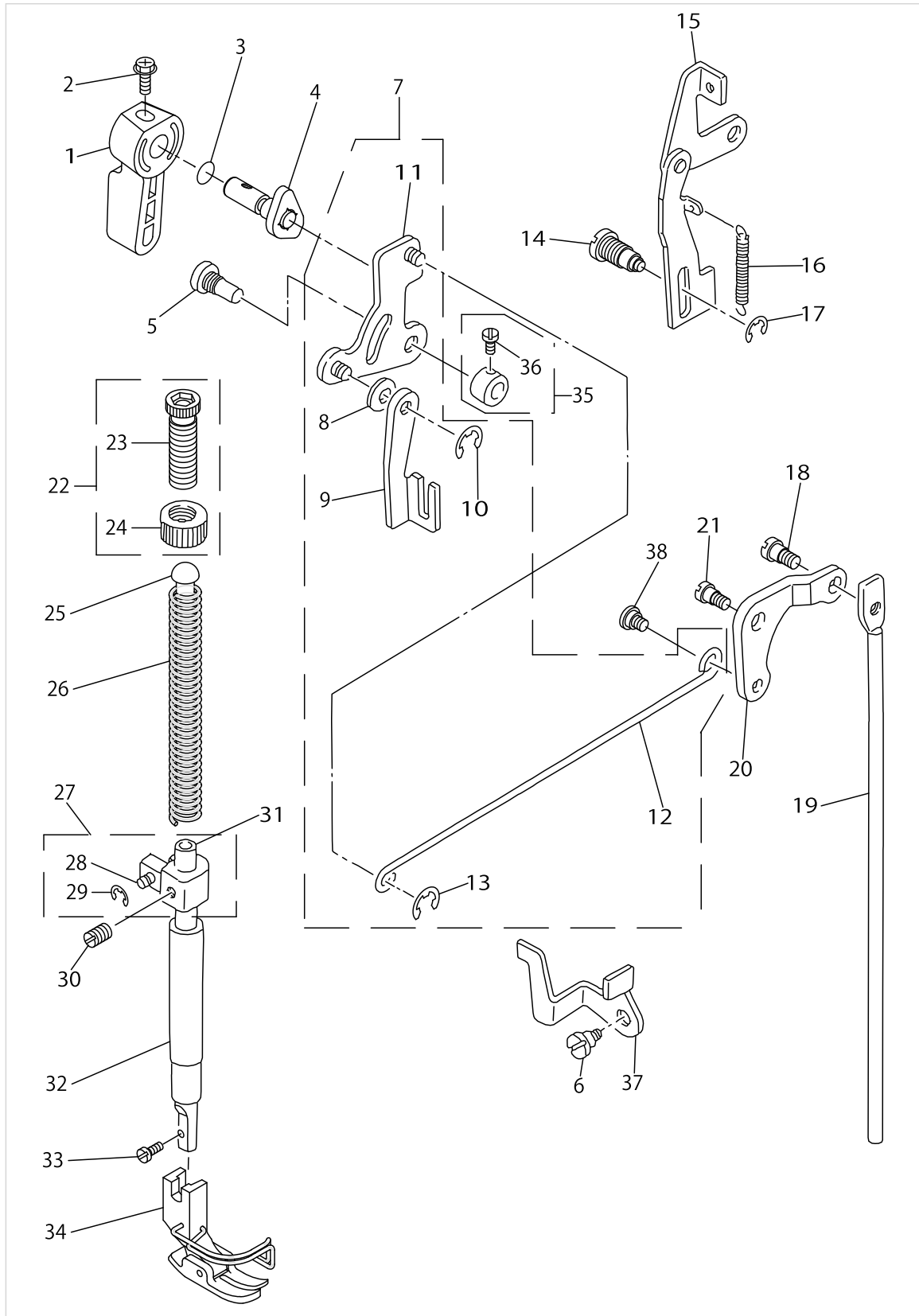
NEEDLE BAR, UPRIGHT SHAFT & HOOK DRIVING SHAFT COMPONENTS



NEEDLE BAR, UPRIGHT SHAFT & HOOK DRIVING SHAFT COMPONENTS

No.	Supply Code	Parts No.	Replacement	Parts name	Remarks	Choice	Step	Level	Cons	Qty	Rep. QTY
1		TA1250804R0		RUBBER PLUG						1	
2		11301009		NEEDLE BAR, A						1	
3		11301108		NEEDLE BAR, B	FOR JE					1	
4		22906457		NEEDLE BAR HOLDER ASM.						1	
5		SS6090670TP		SCREW 9/64-40 L=6				*		1	
6		B1414226000		SLIDE BLOCK						1	
7		SS7080510TP		SCREW 1/8-44 L=4.5						1	
8		B1418552A00		NEEDLE THREAD GUIDE A						1	
9		MDB100B1400		NEEDLE DBX1 #14						1	
10	R	B13061550C0	B13071550C0	GEAR & PINION ASM.						1	1.00
11		B13061550B0		GEAR & PINION ASM., UPPER				*		1	
12		B13050120A0		GEAR ASM.				*		1	
13		SS8660810TP		SCREW 1/4-40 L=8				*		2	
14		B13061550A0		PINION ASM.				*		1	
15		SS8660810TP		SCREW 1/4-40 L=8				*		2	
16		B13071550B0		GEAR & PINION ASM., LOWER				*		1	
17		B13071550A0		GEAR ASM. LARGE				*		1	
18		SS8660810TP		SCREW 1/4-40 L=8				*		2	
19		B13081550A0		PINION ASM.				*		1	
20		SS8660810TP		SCREW 1/4-40 L=8				*		2	
21		22905004		UPRIGHT SHAFT						1	
22		22905103		UPRIGHT SHAFT BUSHING, UPPER						1	
23		B18304150A0		HOOK ASM.						1	
24		11004207		UPRIGHT SHAFT BUSHING, LOWER						1	
25	R	11015807	22916308	BUSHING, REAR						1	1.00
26		22932909		BOBBIN						1	
27		22917157		THRUST COLLAR ASM., REAR						1	
28		SS6110420TP		SCREW 11/64-40 L=4.8				*		2	
29		22916001		HOOK DRIVING SHAFT						1	
30		22916407		BOBBIN CASE POSITIONING FINGER						1	
31		SS4110915TP		SCREW 11/64-40 L=9						1	
32		22916100		HOOK DRIVING SH-AFT BUSH, FRONT						1	
33		B18370120A0		BOBBIN CASE ASM.						1	
34		22917058		THRUST COLLAR ASM., FRONT						1	
35		SS8110410TP		SCREW 11/64-40 L= 3.5				*		2	
36		22916555		OILSEALSCREWASM.						1	
37		11015906		OIL WICK				*		1	
38		22916506		SET SCREW				*		1	
39		MC200500900		NEEDLE 134 90	FOR JE					1	
40		SS4120915SP		SCREW 3/16-28 L=9						1	

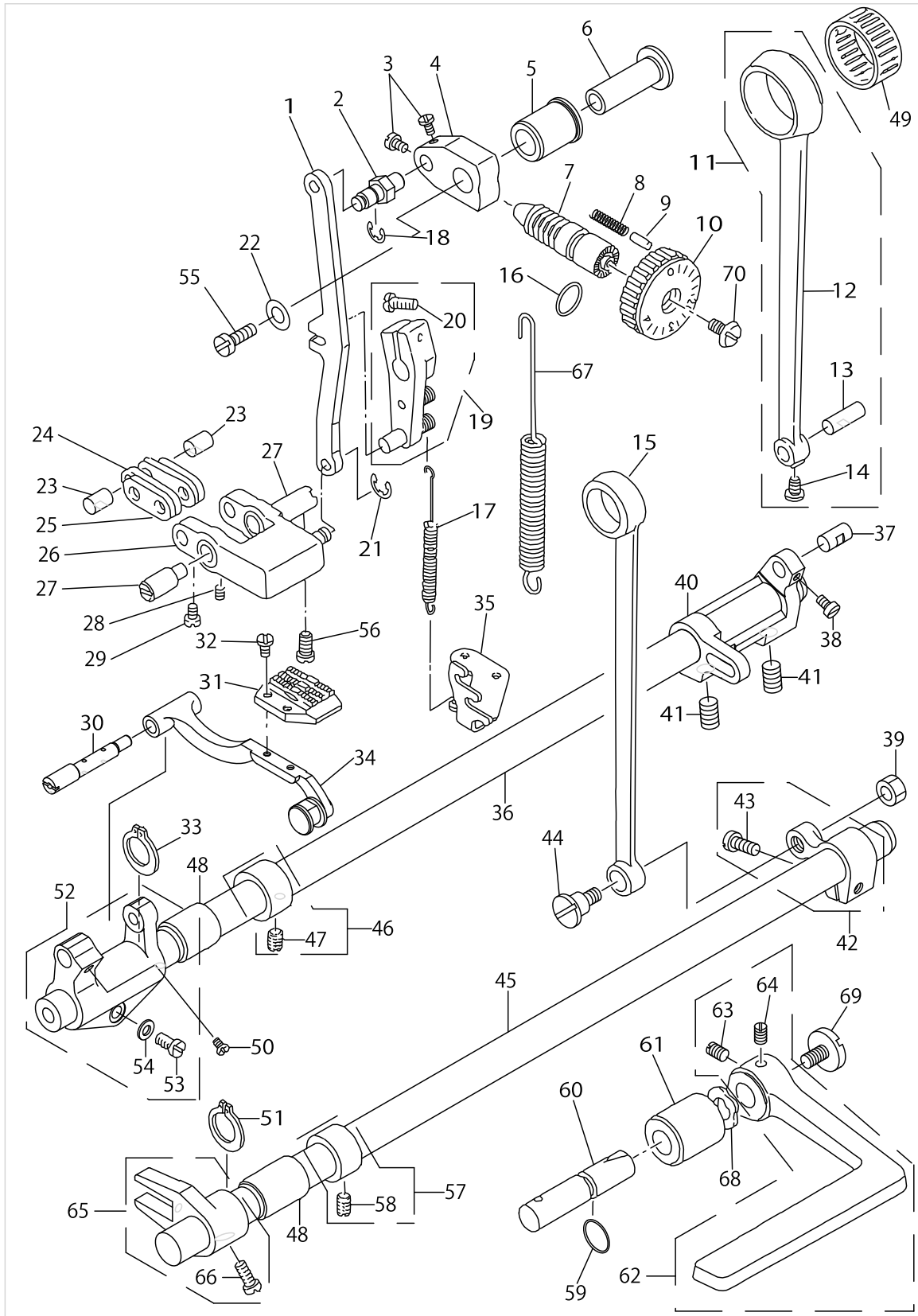
HAND LIFTER COMPONENTS



HAND LIFTER COMPONENTS

No.	Supply Code	Parts No.	Replacement	Parts name	Remarks	Choice	Step	Level	Cons	Qty	Rep. QTY
1		22907802		HAND LIFTER						1	
2		B1521555000		SCREW						1	
3		RO037180100		RUBBER RING						1	
4		22908552		HAND LIFTER CAM ASM.						1	
5		11301702		LINK SHAFT						1	
6		SD0640261SP		HINGE SCREW D=3.65 H=2.6						1	
7		11301652		LIFTING LEVER ASM.						1	
8		WP0650876SD		WASHER 6.5X13X0.8				*		1	
9		11301603		LIFTING LEVER				*		1	
10		RE0500000K0		E-RING				*		1	
11	R	11006350	22908354	HAND LIFTER LINK ASM.				*		1	1.00
12	R	11006905	22908305	LIFTING LEVER CONNECTING ROD				*		1	1.00
13		RE0500000K0		E-RING				*		1	
14		11306107		TENSION RELEASE PLATE SHAFT						1	
15		11305653		TENSION RELEASE PLATE ASM.						1	
16		11305901		SPRING						1	
17		RE0300000K0		E-RING 3						1	
18		SD0600322SD		HINGE SCREW D=6 H=3.2						1	
19		11205408		CONNECTING ROD						1	
20		11205309		LIFTING LEVER LINK						1	
21		SD0720331SP		HINGE SCREW D= 7.24 H= 3.3						1	
22		22907554		FEED REGULATOR SCREW NUT ASM.						1	
23	R	22907505	22907554	PRESSER SPRING REGULATOR				*		1	1.00
24	R	22907604	22907554	PRESSER SPRING REGULATOR NUT				*		1	1.00
25		22907703		PRESSER GUIDE BAR						1	
26		22907406		PRESSER SPRING						1	
27		11301355		NEEDLE BAR GUIDE BRACKET ASM.						1	
28		11301405		PIN				*		1	
29		RE0300000K0		E-RING 3				*		2	
30		SS8660610TP		SCREW 1/4-40 L=6						1	
31		40017805		PRESSER BAR						1	
32		40060989		PRESSER BAR BUSHING LOWER						1	
33		SS7091110TP		SCREW 9/64-40 L=10.5						1	
34		D1524415BBC		PRESSER FOOT ASM.						1	
35		CS064061ASP		THRUST COLLAR ASM.						1	
36		SS7090620TP		SCREW 9/64-40 L=6.1				*		1	
37		11305703		TENSION RELEASE LINK, A						1	
38		22908909		HINGE SCREW						1	

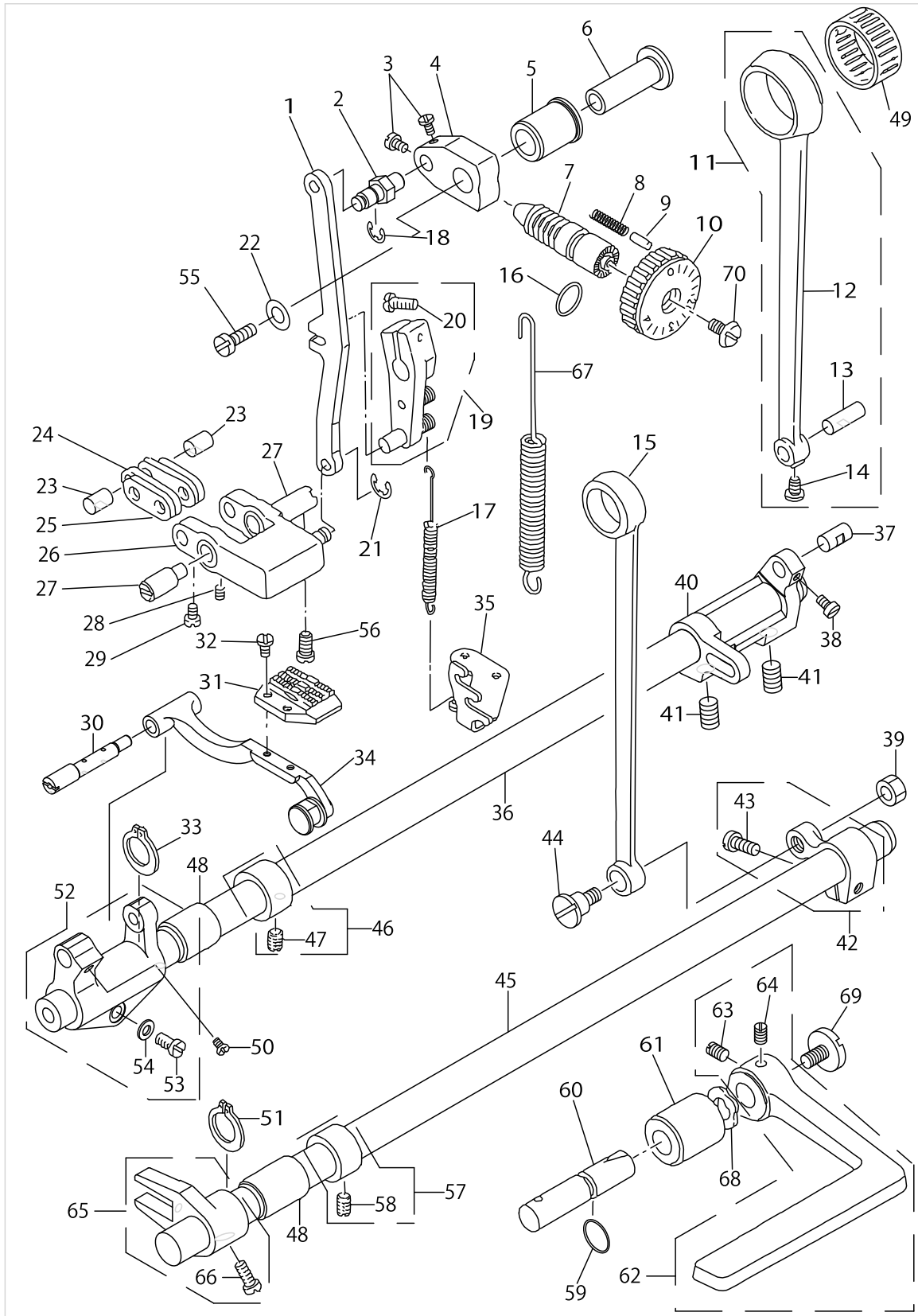
FEED MECHANISM COMPONENTS



FEED MECHANISM COMPONENTS

No.	Supply Code	Parts No.	Replacement	Parts name	Remarks	Choice	Step	Level	Cons	Qty	Rep. QTY
1		22971105		FEED REGULATOR ROD						1	
2		22971204		FEED REGULATOR BASE PIN						1	
3		SS6090560TP		SCREW 9/64-40 L=4.5						2	
4		11303328		FEED REGULATOR BUSHING						1	
5		22911705		FEED REGULATOR BUSHING						1	
6		11385127		FEED REGULATOR SHAFT						1	
7		22911804		FEED REGULATOR SCREW						1	
8		22912109		FEED REGULATOR PIN SPRING						1	
9		22912000		FEED REGULATOR PIN						1	
10		11326204		FEED DIAL						1	
11		40081220		ROCKER SHAFT CO- NNECTING ROD ASM.						1	
12	R	11302411	40081220	ROCKER SHAFT CO- NNECTING ROD				*		1	1.00
13		22911101		WALKING FOOT PIN C				*		1	
14		SS6090620TP		SCREW				*		1	
15		22915003		CONNECTING ROD						1	
16		RO092270200		RUBBER RING						1	
17		11305000		SPRING						1	
18		RE0500000K0		E-RING						1	
19		22971550		FEED LEVER ARM ASM.						1	
20		SS7121410TP		SCREW 3/16-28 L=14				*		1	
21		RE0500000K0		E-RING						1	
22		WP0702026SP		WASHER 7X15X2						1	
23		22910905		WALKING FOOT PIN A						2	
24		22910707		CONNECTING LINK B						2	
25		22910608		CONNECTING LINK A						2	
26		11303161		FEED ADJUST LINK ASM.						1	
27		22910806		ADJUST LINK FULCRUM SHAFT A						2	
28		SS8150710TP		SCREW 15/64-28 L=7						1	
29		SS6090620TP		SCREW						2	
30		22940803		FEED BAR SHAFT						1	
31		D1609415B00		FEED DOG						1	
32		SS4080620TP		SCREW 1/8-44 L=6						2	
33		RC0150001KP		RETAINING RING 13.8						1	
34		22971857		FEED BASE ASM.						1	
35		22970602		FEED SPRING HOOK						1	
36		22912901		FEED ROCKERSHAFT						1	
37		22911002		WALKING FOOT PIN B						1	
38		SS6090620TP		SCREW						1	
39		NS6680410SP		NUT 9/32-28						1	
40	R	11302502	11302551	FEED ROCKER SHAFT CRANK						1	1.00
41		SS8681130SP		SCREW 9/32-28 L=11						2	
42		22915151		FEED ARM COMPL.						1	
43		SS7121610SP		SCREW 3/16-28 L=15.5				*		1	
44		SD1000801SH		HINGE SCREW D=10 H=8						1	
45		22915201		FEED DRIVING SHAFT						1	

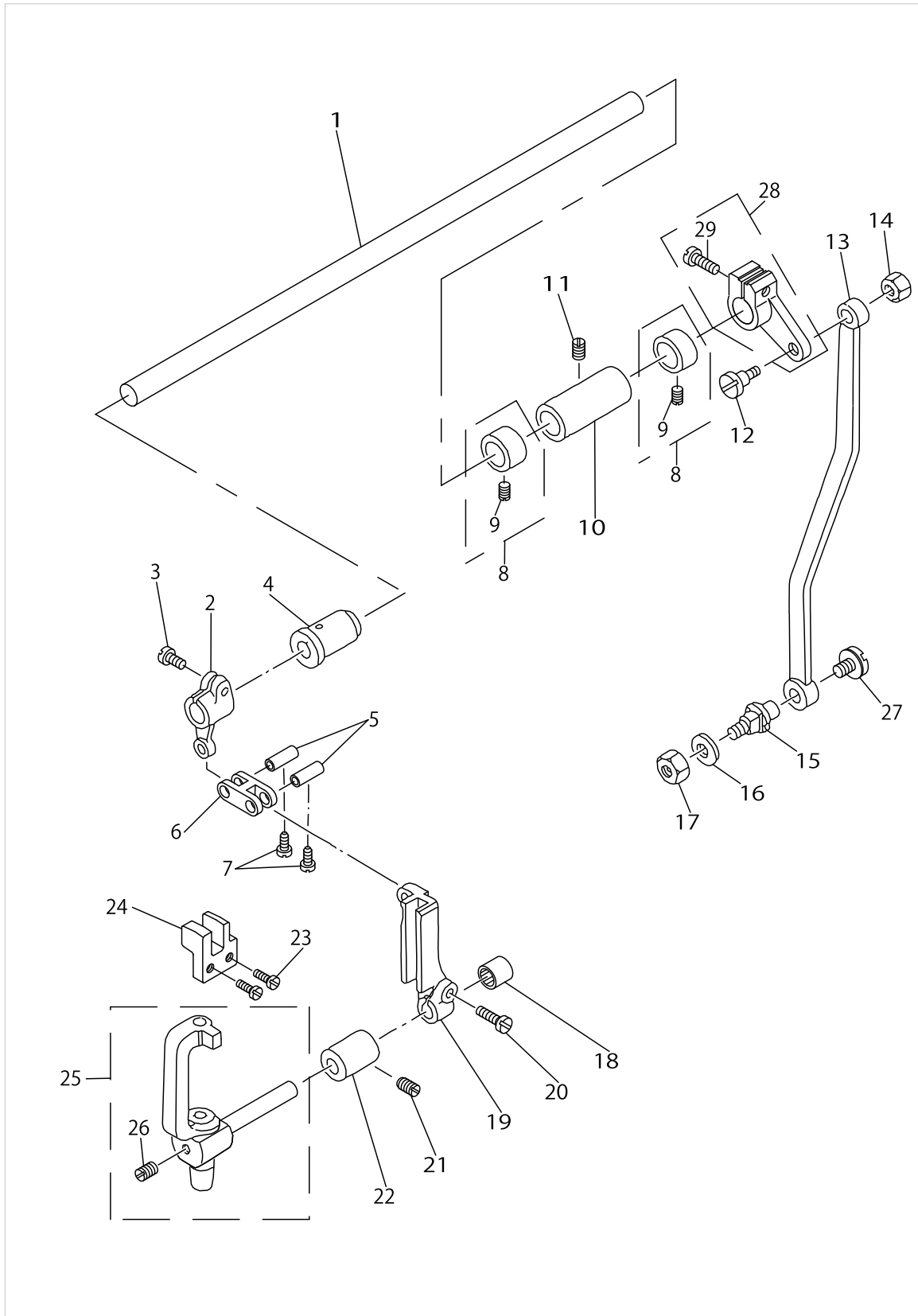
FEED MECHANISM COMPONENTS



FEED MECHANISM COMPONENTS

No.	Supply Code	Parts No.	Replacement	Parts name	Remarks	Choice	Step	Level	Cons	Qty	Rep. QTY
46	R	CS147121ASH	22904155	THRUST COLLAR A- SM.D=14.72 W=12						1	1.00
47		SS8660610TP		SCREW 1/4-40 L=6				*		2	
48		22913008		FEED ROCKER SHAFT BUSHING						2	
49		B1636581C00		NEEDLE BEARING	SELECTIVE PARTS					1	
50		SS7110740TP		SCREW 11/64-40 L=7						1	
51		RC0150001KP		RETAINING RING 13.8						1	
52		22940654		FEED ROCKER ASM.						1	
53		SS7121410TP		SCREW 3/16-28 L=14				*		1	
54		WP0480856SP		WASHER 4.8X8.4X0.8				*		1	
55		SS9661120CP		SCREW 1/4-40 L=10.5						1	
56		SS6151220SP		SCREW 15/64-28 L=11.5						1	
57	R	CS147121ASH	22904155	THRUST COLLAR A- SM.D=14.72 W=12						1	1.00
58		SS8660610TP		SCREW 1/4-40 L=6				*		2	
59		RO078190100		RUBBER RING						1	
60		22967202		FEED REVERSE SHAFT						1	
61		22912802		FEED LEVER SHAFT BUSHING						1	
62		22912752		FEED LEVER ASM.						1	
63		SS8661030SP		SCREW 1/4-40 L=10				*		1	
64		SS8661040TP		SCREW 1/4-40 L=10				*		1	
65		22915359		DRIVING SHAFT CRANK ASM.						1	
66	R	SS7111120SP	SS7111120TP	SCREW 11/64-40 L=10.5				*		1	1.00
67		11302619		SPRING						1	
68		WZ1250300K0		WAVED WASHER 12.5X17X0.3						1	
69		SS7620750SP		SCREW 3/16-32 L=6.5						1	
70		SS6121860SP		SCREW 3/16-28 L=18						1	

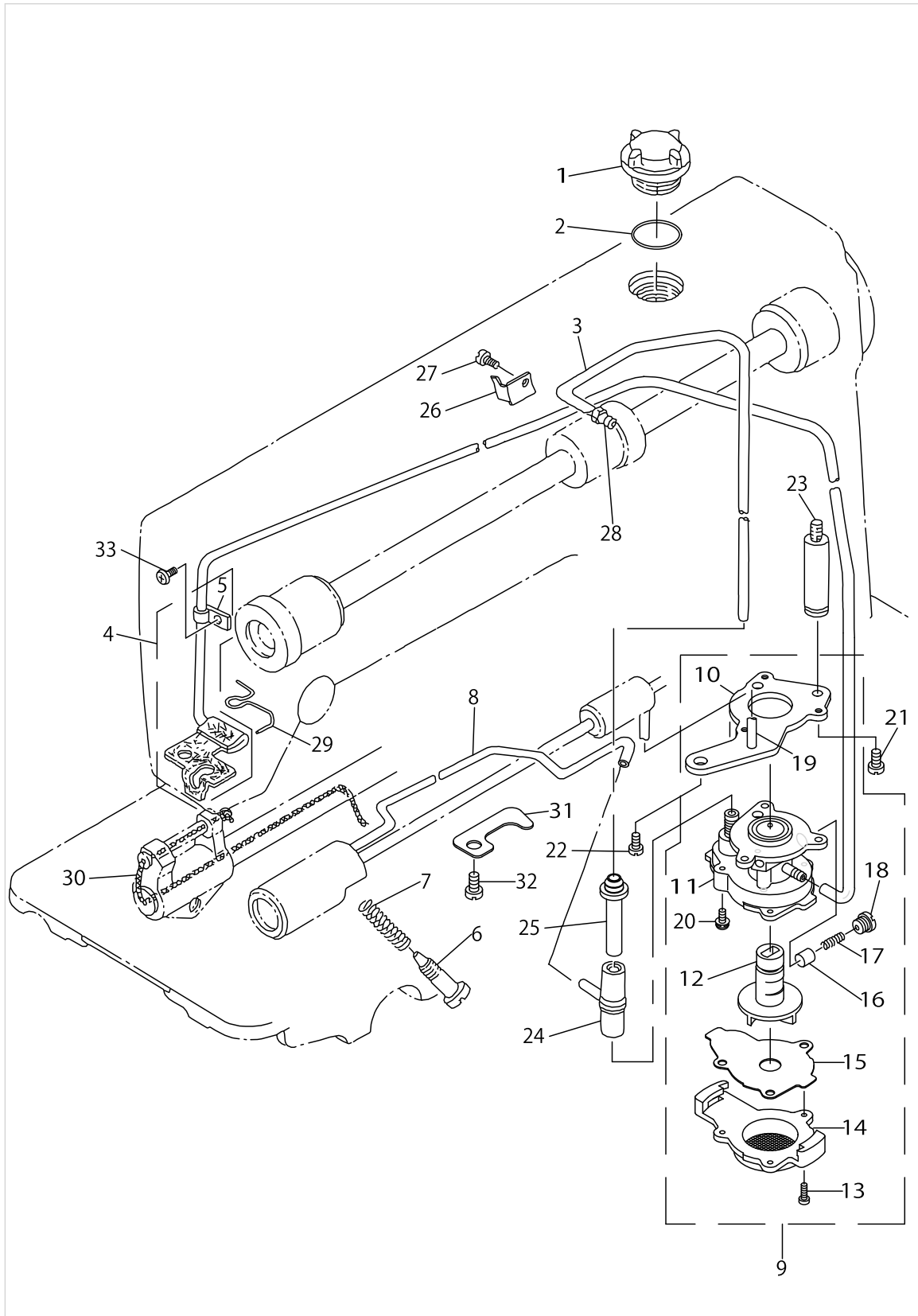
NEEDLE BAR FRAME COMPONENTS



NEEDLE BAR FRAME COMPONENTS

No.	Supply Code	Parts No.	Replacement	Parts name	Remarks	Choice	Step	Level	Cons	Qty	Rep. QTY
1		11304409		CONNECTING SHAFT						1	
2	R	11304003	11304052	DRIVING CRANK, FRONT						1	1.00
3		SS6121220TP		SCREW 3/16-28 L=11.5						1	
4		11211000		ROCK SHAFT BUSHING, FRONT						1	
5		B1412352B00		NEEDLE BAR LINK PIN	SELECTIVE PART					2	
6		B2906415000		DRIVING LINK						1	
7		SS6090660TP		SCREW 9/64-40 L=6						2	
8		CS120101BSH		THRUST COLLAR ASM.						2	
9		SS8660410SP		SCREW 1/4-40 L= 4.2				*		4	
10		11210903		ROCK SHAFT BUSHING, REAR						1	
11		SS8120740SP		SCREW 3/16-28 L=7						1	
12		SD0790501SP		HINGE SCREW D=7.94 H=5						1	
13		11304201		CONNECTING ROD						1	
14		NS6150310SP		NUT 15/64-28						1	
15		11304300		CONNECTING ROD SHAFT						1	
16		WP0621016SD		WASHER 6.2X13X1						1	
17		NS6150430SP		NUT 15/64-28						1	
18		SB309000400		BEARING						1	
19		11303807		SLIDE BLOCK GUIDE						1	
20		SS6121610SP		SCREW 3/16-28 L=15.5						1	
21		SS8120740SP		SCREW 3/16-28 L=7						1	
22		11214509		BUSHING						1	
23		SS6090810TP		SCREW 9/64-40 L=7.5						2	
24		11303906		NEEDLE BAR FRAME GUIDE						1	
25		11303567		NEEDLE ROD ROCK- ING BASE ASM.						1	
26		SS8110310SP		SCREW 11/64-40 L= 2.8				*		1	
27		SS6110640SP		SCREW 11/64-40 L=6						1	
28		11304151		SHAFT ARM ASM. (REAR)						1	
29	R	SS7121410SP	SS7121410TP	SCREW 3/16-28 L=14				*		1	1.00

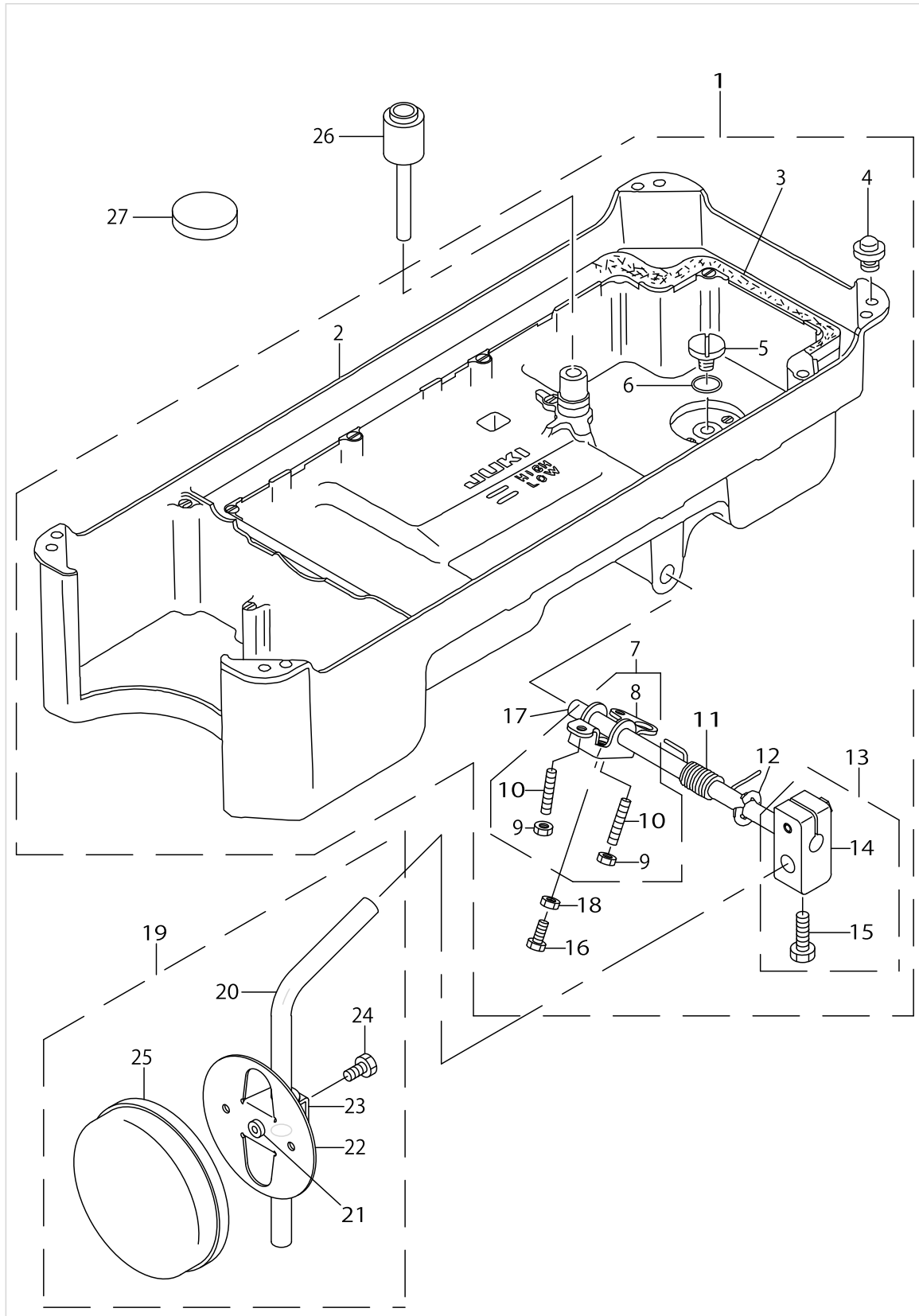
OIL LUBRICATION COMPONENTS



OIL LUBRICATION COMPONENTS

No.	Supply Code	Parts No.	Replacement	Parts name	Remarks	Choice	Step	Level	Cons	Qty	Rep. QTY
1		22924708		OIL SIGHT WINDOW						1	
2		RO195240100		RUBBER RING						1	
3		BT0600402EA		OIL TUBE						.27	
4		11307154		OIL RETURN TUBE ASM.						1	
5		B3536122000		HOLDER				*		1	
6		22925002		OIL REGULATOR SCREW						1	
7		22924906		OIL REGULATOR SCREW SPRING						1	
8		11307352		OIL WICK ASM.						1	
9		22923056		OIL PUMP ASM.						1	
10	R	22923304	22923056	PUMP BODY INSTALLING PLATE				*		1	1.00
11	R	22923007	22923056	PUMP BODY				*		1	1.00
12		22923700		IMPELLER				*		1	
13		SE4301041SR		SCREW D=3 L=10				*		3	
14		22923205		PUMP BODY COVER				*		1	
15		22923809		PUMP BODY SUPPORT PLATE				*		1	
16		22923403		PLUNGER				*		1	
17		22923601		PLUNGER SPRING				*		1	
18		22923502		PLUNGER SCREW				*		1	
19		22923908		HOOK DRIVING SH-AFT OILING PIPE				*		1	
20		SL4030851SF		SCREW M3 L=8				*		3	
21		SS6111010TP		SCREW 11/64-40 L= 9.5						1	
22		SS4150915SP		SCREW 15/64-28 L=9						1	
23		22924005		PUMP BODY STRUT						1	
24		22924609		RUBBER JOINT						1	
25		11221504		OIL TUBE JOINT						1	
26		11222007		HOLDER						1	
27		SS6080340SP		SCREW 1/8-44 L=2.9						1	
28		SQ1150501SD		CONNECTING SCREW						1	
29		11307006		OIL FELT PRESSER						1	
30		CQ252000000		OIL WICK						.3	
31		22924807		PIPEHOLDER, LOWER						1	
32		SS4120615SP		SCREW 3/16-28 L=6						1	
33		SS4120615SP		SCREW 3/16-28 L=6						1	

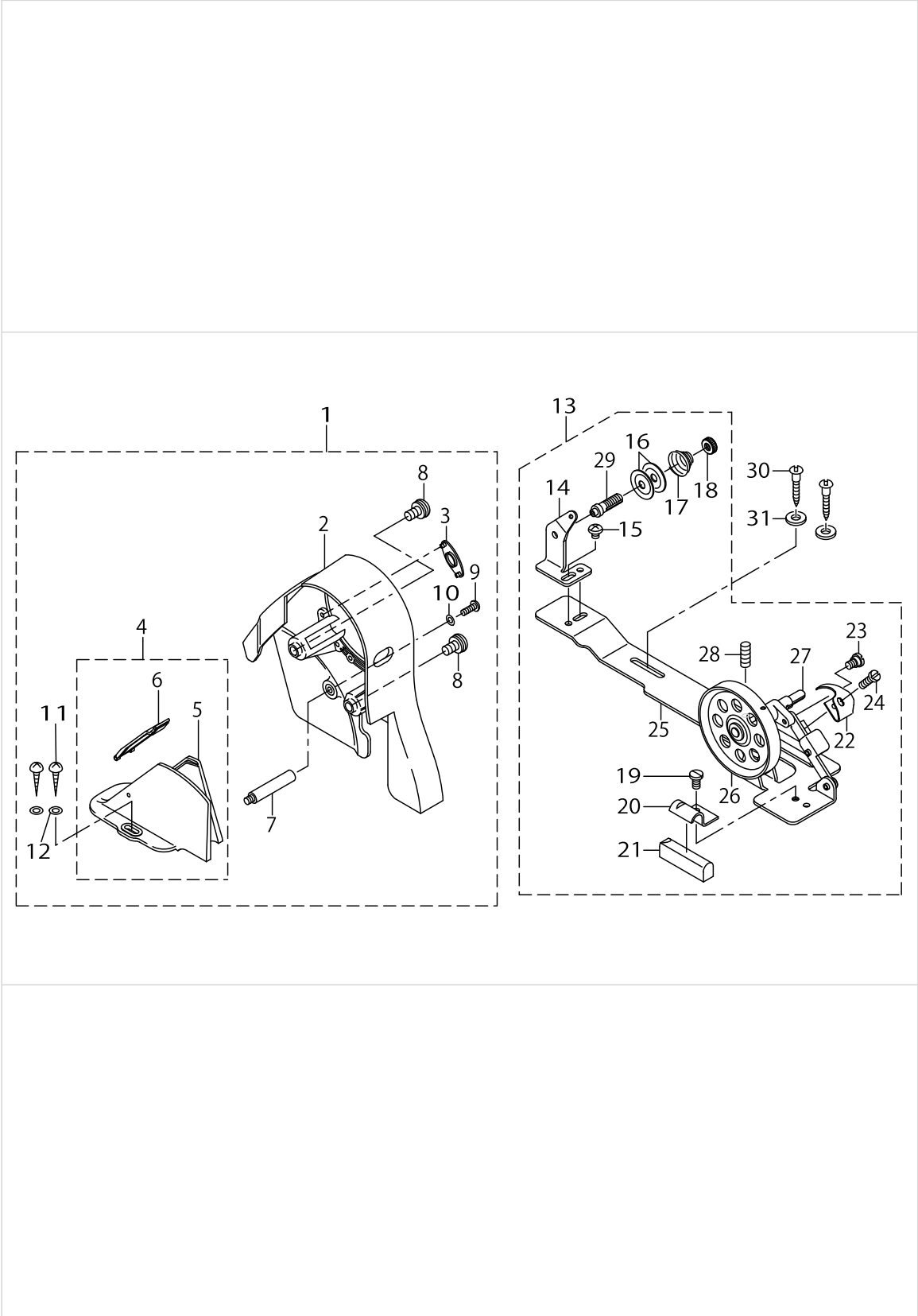
OIL RESERVOIR COMPONENTS



OIL RESERVOIR COMPONENTS

No.	Supply Code	Parts No.	Replacement	Parts name	Remarks	Choice	Step	Level	Cons	Qty	Rep. QTY
1	R	11047057	40102085	OIL RESERVOIR ASM.						1	1.00
2	R	11023017	40102085	OIL RESERVOIR				*		1	1.00
3		11024700		GASKET				*		1	
4		11047107		RUBBER CUSHION				*		4	
5		SS6700710SH		SCREW 5/16-24 L=7				*		1	
6		RO098240100		RUBBER RING				*		1	
7		22932156		KNEE LIFTER ROTATION ARM ASM.				*		1	
8	R	22932107	22932156	KNEE LIFTER ROTATION ARM				*		1	1.00
9		NM6060001SE		NUT M6				*		2	
10		SM8063012TR		SCREW M6 L=30				*		2	
11		22932206		SPRING				*		1	
12		RE1000000K0		E-RING 10				*		1	
13		22932453		BRACKET ASM.				*		1	
14	R	22932404	22932453	BRACKET				*		1	1.00
15		22934707		BRACKET SCREW				*		2	
16		SM9062563TR		SCREW M6 L=25				*		1	
17		22932305		KNEE PRESS CROSS SHAFT				*		1	
18		NM6060001SE		NUT M6				*		1	
19		22934251		KNEE PAD PLATE ASM.						1	
20		22934608		KNEE PAD UPRIGHT SHAFT				*		1	
21		22934400		KNEE PAD PLATE RUBBER				*		1	
22		22934202		KNEE PAD PLATE				*		1	
23		22934301		KNEE PAD PLATE SUPPORT				*		1	
24		SM9061203SE		SCREW M6 L=12				*		1	
25		22934509		KNEE PAD PLATE COVER				*		1	
26	R	11024304	22931703	KNEE PRESS LIFTER ROD						1	1.00
27		B8228125000		OIL RESERVOIR MAGNET						1	

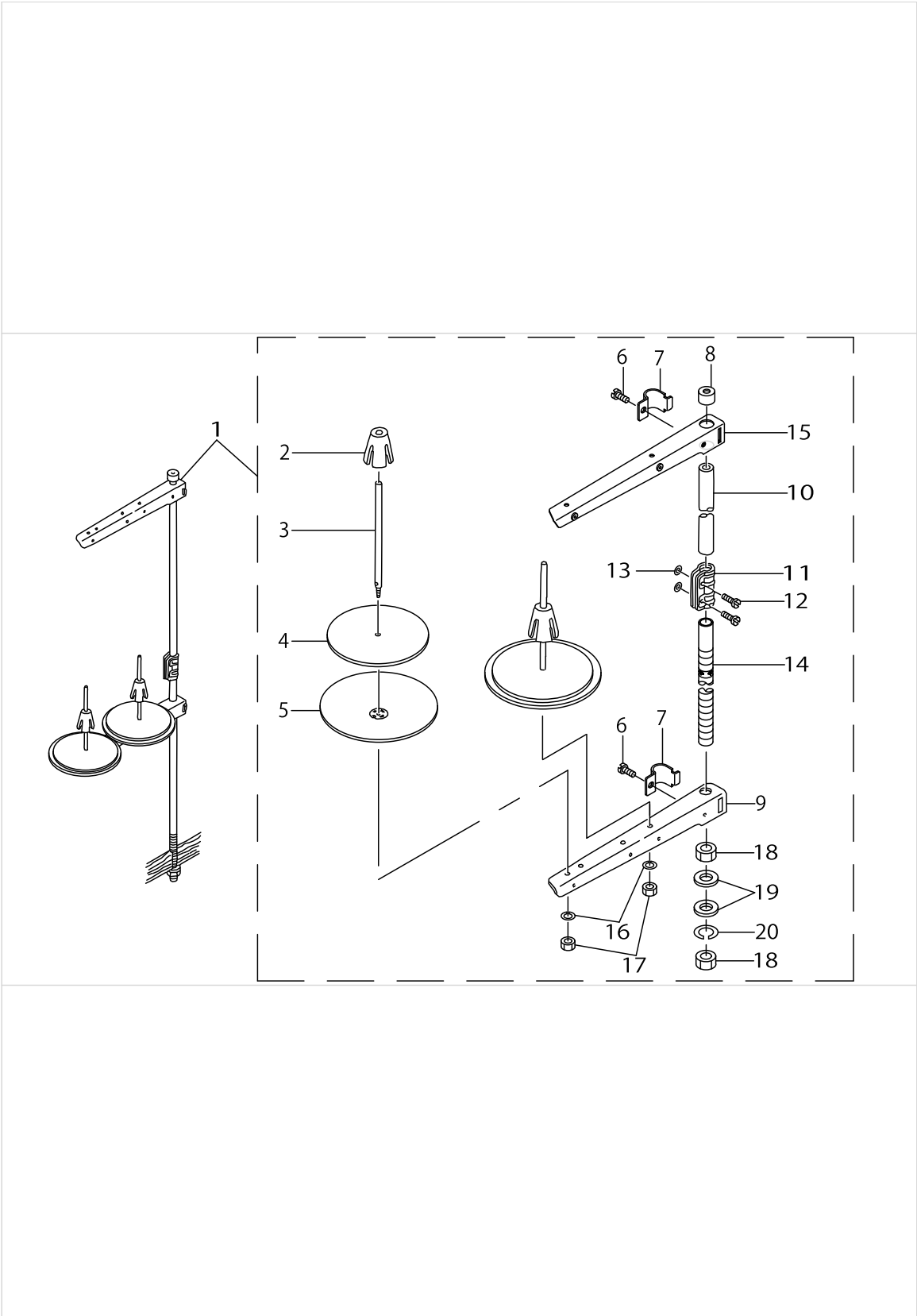
BELT COVER & BOBBIN WINDER COMPONENTS



BELT COVER & BOBBIN WINDER COMPONENTS

No.	Supply Code	Parts No.	Replacement	Parts name	Remarks	Choice	Step	Level	Cons	Qty	Rep. QTY
1		22933451		BELT COVER ASM.						1	
2	R	22933402	22933451	BELT COVER A				*		1	1.00
3		22933501		BELT COVER A CAP				*		1	
4		22933659		BELT COVER B COMPL.				*		1	
5		22933600		BELT COVER B				*		1	
6	R	22933758	22933659	BELT COVER B LID ASM.				*		1	1.00
7		22933907		BELT COVER STRUT				*		1	
8	R	22934004	11025202	SET SCREW				*		2	1.00
9		SS4121415SP		SCREW 3/16-28 L=14				*		1	
10		WP0501016SD		WASHER 5X10.5X1				*		1	
11	R	SK3412000SC	SK3412000SE	WOOD SCREW D=4.1 L=20				*		2	1.00
12		WP0450826SC		WASHER 4.5X10X0.8				*		2	
13		22927354		BOBBIN WINDER COMPL.						1	
14	R	22928501	11078250	THREAD TENSION POST BASE				*		1	1.00
15		SS4110515SP		SCREW 11/64-40 L=5				*		1	
16	R	22928907	22921506	THREAD TENSION DISK				*		2	1.00
17		22929004		THREAD TENSION SPRING				*		1	
18		22928808		NUT				*		1	
19		SS7110350SP		SCREW 11/64-40 L=3.5				*		1	
20	D	22928402		CONTROL RUBBER HOLDING PLATE				*		1	
21		22928303		CONTROL RUBBER				*		1	
22		22928105		BOBBIN PRESSER				*		1	
23		SD0490261SP		HINGE SCREW D=4.9 H=2.6				*		1	
24		SS7081310SP		SCREW 1/8-44 L=12.5				*		1	
25	R	22927305	22927354	BOBBIN WINDER BASE				*		1	1.00
26		22927404		BOBBIN WINDER				*		1	
27		22927602		BOBBIN WINDER SPINDLE				*		1	
28	R	SS8110510SP	SS8110520TP	SCREW 11/64-40 L=5				*		1	1.00
29	R	22928709	11078250	THREAD TENSION POST				*		1	1.00
30	R	SK3412000SC	SK3412000SE	WOOD SCREW D=4.1 L=20						2	1.00
31		WP0450826SC		WASHER 4.5X10X0.8						2	

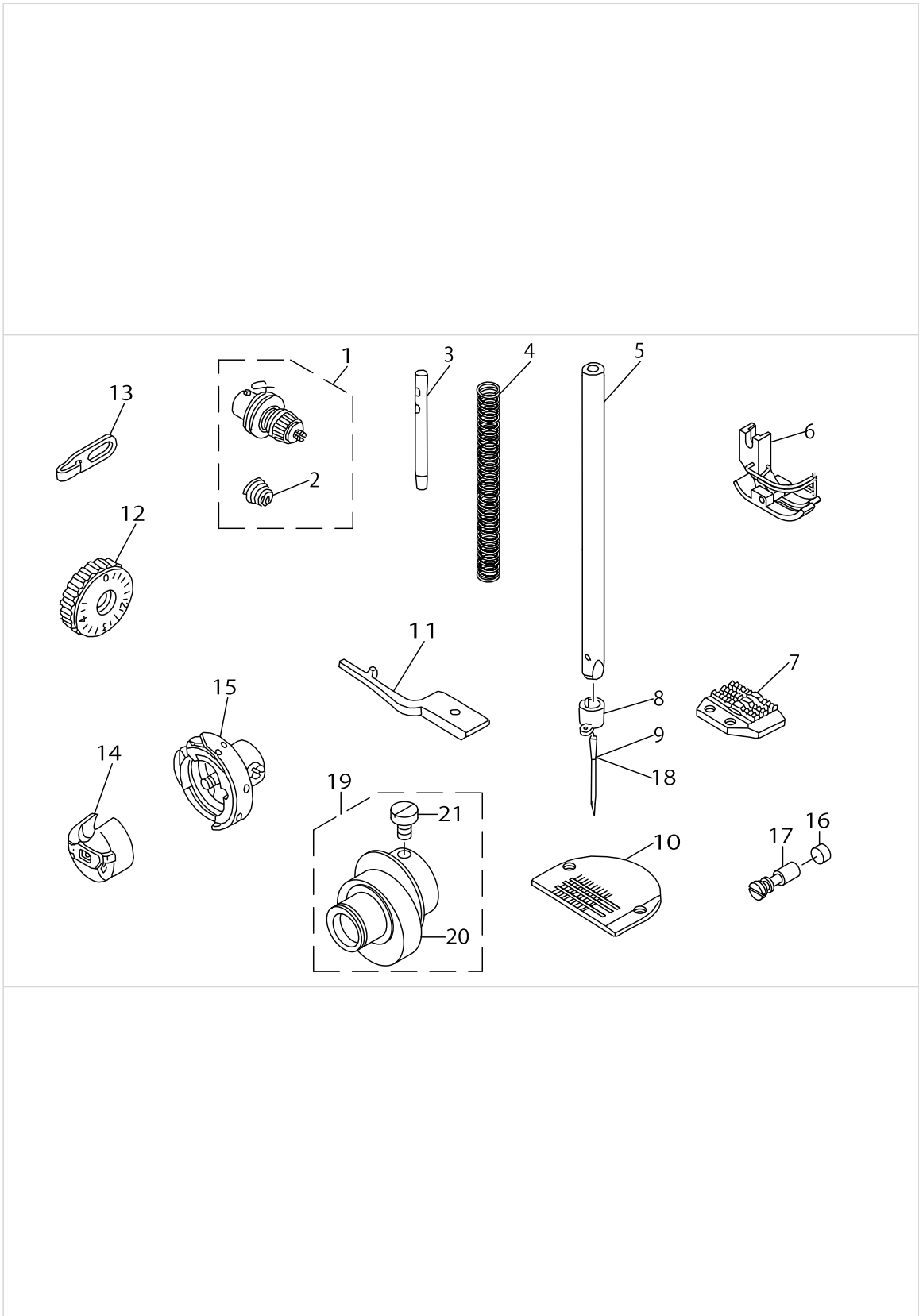
THREAD STAND COMPONENTS



THREAD STAND COMPONENTS

No.	Supply Code	Parts No.	Replacement	Parts name	Remarks	Choice	Step	Level	Cons	Qty	Rep. QTY
1	R	22930358	40096354	THREAD STAND ASM.						1	1.00
2	R	22931109	40085791	SPOOL RETAINER				*		2	1.00
3	R	22931000	40085790	SPOOL PIN				*		2	1.00
4		22930903		SPOOL REST CUSHION				*		2	
5		22930804		SPOOL REST				*		2	
6		SM6061610SC		SCREW M6 L=16				*		2	
7	R	22930705	40096354	THREAD GUIDE ARM JOINT				*		2	1.00
8		22931406		SPOOL REST ROD RUBBER CAP				*		1	
9	R	22930507	40096354	SPOOL REST ARM				*		1	1.00
10	R	22930408	40096354	SPOOL REST ROD, UPPER				*		1	1.00
11	R	22931307	40096354	SPOOL REST ROD JOINT				*		1	1.00
12		SM4051405SE		SCREW M5 L=14				*		2	
13		NM6050001SE		NUT M5				*		2	
14	R	22930309	40096354	SPOOL REST ROD, LOWER				*		1	1.00
15	R	22930556	40096354	THREAD STANDING ARM ASM.				*		1	1.00
16		WS0510002KN		SPRING WASHER				*		2	
17		NM6050001SE		NUT M5				*		2	
18		NM6160511SE		NUT M16X1.5				*		2	
19		WP1612616SE		WASHER 16.1X30X2.6				*		2	
20	R	WS1643202KR	WP1612616SE	SPRING WASHER		A		*		1	2.00
20	R	WS1643202KR	40085796	SPRING WASHER		A		*		1	2.00

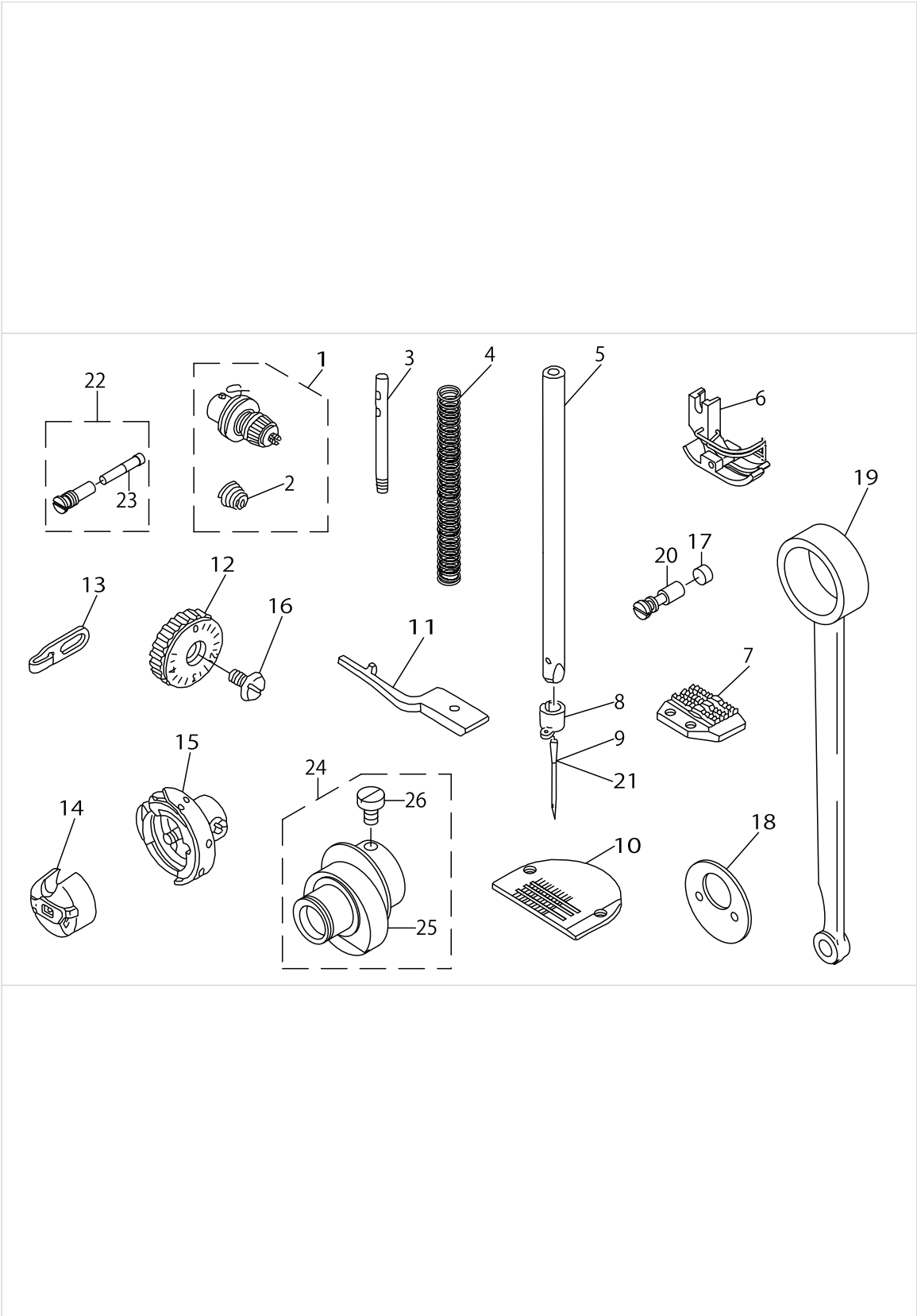
EXCLUSIVE PARTS FOR DLN-5410NH



EXCLUSIVE PARTS FOR DLN-5410NH

No.	Supply Code	Parts No.	Replacement	Parts name	Remarks	Choice	Step	Level	Cons	Qty	Rep. QTY
1		22962054		THREAD TENSION ASM.						1	
2		22962055		THREAD TENSION SPRING				*		1	
3		22958300		THREAD GUIDE PIN						1	
4		B1505552000A		PRESSER SPRING						1	
5		11320801		NEEDLE BAR						1	
6		B1524041EB0		PRESSER FOOT ASM.						1	
7		11322203		FEED DOG, H						1	
8		B1418415H00		NEEDLE BAR THREAD GUIDE						1	
9		MDB100B2100		NEEDLE DBX1 #21						1	
10		B1109415H0B		THROAT PLATE (H)						1	
11		11091709		POSITIONING FINGER						1	
12		11326303		FEED DIAL						1	
13		11091006		ARM THREAD GUIDE (HA)						1	
14		11038759		BOBBIN CASE ASM.						1	
15		11321452		LUBRICATING BOBBIN ASM.						1	
16		B1226552000		ROLLER FELT						1	
17		B1213552000A		OIL ADJUSTING PIN						1	
18	D	MC200501400		NEEDLE 134 140	FOR JE					1	
19		11322450		FEED ECCENTRIC CAM H ASM.						1	
20	R	11322401	11322450	FEED ECCENTRIC CAM H				*		1	1.00
21		SS6661110SP		SCREW 1/4-40 L=11				*		2	

EXCLUSIVE PARTS FOR DLN-5410NL



EXCLUSIVE PARTS FOR DLN-5410NL

No.	Supply Code	Parts No.	Replacement	Parts name	Remarks	Choice	Step	Level	Cons	Qty	Rep. QTY
1		22962054		THREAD TENSION ASM.						1	
2	R	22962005	B3114232000	THREAD TENSION SPRING				*		1	1.00
3	R	B1114012000	22958300	THREAD GUIDE PIN						1	1.00
4		B1505552000A		PRESSER SPRING						1	
5		11320801		NEEDLE BAR						1	
6		B1524041EB0		PRESSER FOOT ASM.						1	
7		11322203		FEED DOG, H						1	
8		B1418415H00		NEEDLE BAR THREAD GUIDE						1	
9		MDB100B2100		NEEDLE DBX1 #21						1	
10		B1109415H0B		THROAT PLATE (H)						1	
11		11091709		POSITIONING FINGER						1	
12		11326451		FEED DIAL ASM.						1	
13		11091006		ARM THREAD GUIDE (HA)						1	
14		D1837415DAL		BOBBIN CASE ASM.						1	
15		11321452		LUBRICATING BOBBIN ASM.						1	
16		SS6121050SP		SCREW 3/16-28 L=9.5						1	
17		B1226552000		ROLLER FELT						1	
18		11324209		THRUST COLLAR						1	
19		11324100		ROCKER SHAFT CO- NECTING ROD						1	
20		B1213552000A		OIL ADJUSTING PIN						1	
21	D	MC200501400		NEEDLE 134 140	FOR JE					1	
22		11404753		OIL SEAL SCREW						1	
23		11404704		OIL WICK				*		1	
24		11324050		FEED DRIVE ECCEN- TRIC CAM ASM.						1	
25	D	11324001		FEED DRIVE ECCENTRIC CAM				*		1	
26		SS6661110SP		SCREW 1/4-40 L=11				*		2	

LIST FOR INFORMATION OF CHANGE

As to the place changed, refer to the corresponding Rev.No.
 When previous parts(Obsoleted part)and new parts(Added parts)are
 not interchangeable with each other:
 In this case,even obsoleted parts(D.)can be ordered with the
 obsoleted part number,so select the parts with changed dates and
 place your orders.

変更箇所は、該当Rev.No.版をご参照ください。
 部品の互換性がない変更の場合は、削除された品番でも、ご注文できます。

29135605
 No.0904-07 Rev.No.

*A:Added parts追加部品/D:Obsoleted parts削除部品/E:Erratum訂正

* Rev. No.	Page 頁	Ref. No.	Parts No. 品番	* Rev. No.	Page 頁	Ref. No.	Parts No. 品番
D 06	2	47	113-05513	A 07	2	47	229-72608
D 06	6	27	CS-079101A-SH	A 07	6	27	229-17157
D 06	6	34	CS-079073A-SH	A 07	6	34	229-17058
D 06	10	1	113-02106	A 07	10	1	229-71105
D 06	10	5	110-11509	A 07	10	5	229-11705
				A 07	10	11	400-81220
D 06	10	15	110-14008	A 07	10	15	229-15003
D 06	10	24	113-03005	A 07	10	24	229-10707
D 06	10	25	113-02908	A 07	10	25	229-10608
D 06	10	61	110-10709	A 07	10	61	229-12802
D 06	17	1	110-76650	A 07	17	1	229-33451
D 06	17	2	110-76601	A 07	17	2	229-33402
D 06	17	3	110-76700	A 07	17	3	229-33501
D 06	17	4	110-76858	A 07	17	4	229-33659
D 06	17	5	110-76809	A 07	17	5	229-33600
D 06	17	6	110-76957	A 07	17	6	229-33758
D 06	17	7	110-23504	A 07	17	7	229-33907
D 06	17	8	110-25202	A 07	17	8	229-34004
D 06	18	15	229-31208				
				A 07	18	15	229-30556
				A 07	19	20	113-22401
				A 07	19	21	SS-6661110-SP
				A 07	20	24	113-24050
				A 07	20	26	SS-6661110-SP

HOW TO MAKE USE OF THIS PARTS LIST

1.Explanation of codes

1)"*"mark.....means this part is changed from the previous parts book.

As to the details of the change, refer to the "List for information of change".

2)"#01".....refer to "Note" explanation at bottom of page.

2.Codes on the "Qty" column

- Each numeral indicates the number of parts required.
- "0.1" and "2.5" indicate the length (in meters) of the respective parts.

3.Parentheses mean that the corresponding part is a subpart that constructs an assembly part.

4.Dotted lines on the Figures indicate assembly parts.

1."注記"欄の記号説明

1) "*"印.....前回のパーツブックと比較して今回変更された部品を意味します。

変更内容は、"変更情報リスト"を参照してください。

2) "#01".....ページ下の"注記"の説明を参照してください。

2.数量欄の数字は、個数を表し、0.1、2.5等の数値は、長さ（単位メートル）を表します。

3.数量欄の（ ）は、組部品を構成している子部品であることを意味します。

4.イラストページの-----枠は、組構成であることを意味します。

NUMERICAL INDEX OF PARTS

PART NO	PAGE	REF NO.	PART NO	PAGE	REF NO.	PART NO	PAGE	REF NO.
11002409	6	20	11302353	6	16	22901250	2	42
11002508	6	21	11302411	12	12	22901300	2	44
11002904	6	28	11302502	12	40	22901805	4	56
11003308	2	10	11302619	14	67	22901904	4	54
11004207	8	24	11303161	12	26	22903009	6	31
11005204	6	7	11303328	12	4	22903108	6	15
11006350	10	11	11303567	16	25	22903157	6	10
11006905	10	12	11303807	16	19	22903900	6	32
11015807	8	25	11303906	16	24	22904155	6	23
11015906	8	37	11304003	16	2	22905004	8	21
11017357	6	2	11304151	16	28	22905103	8	22
11023017	20	2	11304201	16	13	22906457	8	4
11024304	20	26	11304300	16	15	22907406	10	26
11024700	20	3	11304409	16	1	22907505	10	23
11038759	26	14	11305000	12	17	22907554	10	22
11039062	6	5	11305653	10	15	22907604	10	24
11039070	6	4	11305703	10	37	22907703	10	25
11047057	20	1	11305901	10	16	22907802	10	1
11047107	20	4	11306107	10	14	22908552	10	4
11071362	6	29	11307006	18	29	22908909	10	38
11091006	26	13	11307154	18	4	22910103	6	34
11091006	28	13	11307352	18	8	22910608	12	25
11091709	26	11	11320801	26	5	22910707	12	24
11091709	28	11	11320801	28	5	22910806	12	27
11202306	6	27	11321452	26	15	22910905	12	23
11205309	10	20	11321452	28	15	22911002	12	37
11205408	10	19	11322203	26	7	22911101	12	13
11210903	16	10	11322203	28	7	22911705	12	5
11211000	16	4	11322401	26	20	22911804	12	7
11214509	16	22	11322450	26	19	22912000	12	9
11221504	18	25	11324001	28	25	22912109	12	8
11222007	18	26	11324050	28	24	22912752	14	62
11300308	2	37	11324100	28	19	22912802	14	61
11300407	2	3	11324209	28	18	22912901	12	36
11300506	2	2	11325750	2	1	22913008	14	48
11300605	2	4	11326204	12	10	22915003	12	15
11300902	6	25	11326303	26	12	22915151	12	42
11301009	8	2	11326451	28	12	22915201	12	45
11301108	8	3	11385127	12	6	22915359	14	65
11301355	10	27	11404704	28	23	22916001	8	29
11301405	10	28	11404753	28	22	22916100	8	32
11301603	10	9	22900401	2	9	22916407	8	30
11301652	10	7	22900609	2	21	22916506	8	38
11301702	10	5	22901003	2	46	22916555	8	36
11302304	6	18	22901201	2	43	22917058	8	34

NUMERICAL INDEX OF PARTS

PART NO	PAGE	REF NO.	PART NO	PAGE	REF NO.	PART NO	PAGE	REF NO.
22917157	8	27	22930556	24	15	22971105	12	1
22919203	6	3	22930705	24	7	22971204	12	2
22920508	2	19	22930804	24	5	22971550	12	19
22920607	2	38	22930903	24	4	22971857	12	34
22920706	2	18	22931000	24	3	22972608	4	47
22921001	2	20	22931109	24	2	40017805	10	31
22921209	2	30	22931307	24	11	40060989	10	32
22921308	2	25	22931406	24	8	40081220	12	11
22921407	2	26	22932107	20	8	B1109415H0B	26	10
22921506	2	29	22932156	20	7	B1109415H0B	28	10
22921605	2	31	22932206	20	11	B1114012000	28	3
22921704	2	27	22932305	20	17	B1213552000A	26	17
22921803	2	28	22932404	20	14	B1213552000A	28	20
22923007	18	11	22932453	20	13	B1215552000	6	26
22923056	18	9	22932503	2	14	B1226552000	26	16
22923205	18	14	22932552	2	13	B1226552000	28	17
22923304	18	10	22932602	2	15	B13050120A0	8	12
22923403	18	16	22932701	2	16	B13061550A0	8	14
22923502	18	18	22932909	8	26	B13061550B0	8	11
22923601	18	17	22933402	22	2	B13061550C0	8	10
22923700	18	12	22933451	22	1	B13071550A0	8	17
22923809	18	15	22933501	22	3	B13071550B0	8	16
22923908	18	19	22933600	22	5	B13081550A0	8	19
22924005	18	23	22933659	22	4	B1408552000	6	8
22924609	18	24	22933758	22	6	B1412352B00	16	5
22924708	18	1	22933907	22	7	B1414226000	8	6
22924807	18	31	22934004	22	8	B1418415H00	26	8
22924906	18	7	22934202	20	22	B1418415H00	28	8
22925002	18	6	22934251	20	19	B1418552A00	8	8
22927305	22	25	22934301	20	23	B1505552000A	26	4
22927354	22	13	22934400	20	21	B1505552000A	28	4
22927404	22	26	22934509	20	25	B1521555000	10	2
22927602	22	27	22934608	20	20	B1524041EB0	26	6
22928105	22	22	22934707	20	15	B1524041EB0	28	6
22928303	22	21	22940654	14	52	B1636581C00	14	49
22928402	22	20	22940803	12	30	B18304150A0	8	23
22928501	22	14	22945307	2	32	B18370120A0	8	33
22928709	22	29	22945356	2	24	B1903552000	6	9
22928808	22	18	22958300	26	3	B1905541B00	6	6
22928907	22	16	22962005	28	2	B2906415000	16	6
22929004	22	17	22962054	26	1	B31334150A0	4	48
22930309	24	14	22962054	28	1	B3136415000	4	49
22930358	24	1	22962055	26	2	B3536122000	18	5
22930408	24	10	22967202	14	60	B8228125000	20	27
22930507	24	9	22970602	12	35	BT0600402EA	18	3

NUMERICAL INDEX OF PARTS

PART NO	PAGE	REF NO.	PART NO	PAGE	REF NO.	PART NO	PAGE	REF NO.
CM300200001	4	55	SK3412000SC	22	30	SS7110350SP	22	19
CM301300001	4	57	SL4030851SF	18	20	SS7110740TP	14	50
CQ252000000	18	30	SM4051405SE	24	12	SS7111120SP	14	66
CS064061ASP	10	35	SM6061610SC	24	6	SS7121410SP	16	29
CS120101BSH	16	8	SM8063012TR	20	10	SS7121410TP	12	53
CS147121ASH	14	57	SM9061203SE	20	24	SS7121410TP	14	53
D1524415BBC	10	34	SM9062563TR	20	16	SS7121610SP	12	43
D1609415B00	12	31	SQ1150501SD	18	28	SS7620750SP	14	69
D1837415DAL	28	14	SS1120710SP	2	5	SS7681650TP	6	14
MC200500900	8	39	SS2110920TP	2	35	SS8090670SP	2	33
MC200501400	26	18	SS4080620TP	12	32	SS8110310SP	16	26
MC200501400	28	21	SS4090615SP	6	19	SS8110410TP	8	35
MDB100B1400	8	9	SS4110515SP	22	15	SS8110510SP	22	28
MDB100B2100	26	9	SS4110915TP	8	31	SS8120740SP	16	21
MDB100B2100	28	9	SS4120615SP	2	23	SS8150710TP	2	34
NM6050001SE	24	17	SS4120615SP	18	33	SS8150710TP	12	28
NM6060001SE	20	18	SS4120915SP	2	8	SS8151150TP	6	1
NM6160511SE	24	18	SS4120915SP	8	40	SS8151550SP	6	30
NS6090310SP	4	53	SS4121015SP	2	41	SS8660410SP	16	9
NS6150310SP	16	14	SS4121415SP	22	9	SS8660610TP	6	24
NS6150430SP	16	17	SS4150915SP	18	22	SS8660610TP	10	30
NS6680410SP	12	39	SS6060210SP	2	45	SS8660610TP	14	58
RC0150001KP	12	51	SS6080340SP	18	27	SS8660810TP	8	20
RC0150001KP	14	51	SS6090560TP	12	3	SS8661030SP	14	63
RC1850001KP	6	22	SS6090620TP	12	38	SS8661040TP	14	64
RE0300000K0	10	29	SS6090660TP	16	7	SS8681130SP	12	41
RE0500000K0	10	13	SS6090670TP	8	5	SS8681650TP	6	11
RE0500000K0	12	21	SS6090810TP	16	23	SS9661120CP	14	55
RE1000000K0	20	12	SS6110420TP	8	28	TA0850604R0	2	50
RO029180100	6	33	SS6110610TP	2	39	TA0850604R0	4	50
RO037180100	10	3	SS6110640SP	16	27	TA1250406R0	2	40
RO044240100	6	13	SS6111010TP	18	21	TA1250504R0	2	51
RO078190100	14	59	SS6121050SP	28	16	TA1250504R0	4	51
RO092270200	12	16	SS6121220TP	16	3	TA1250705R0	2	7
RO098240100	20	6	SS6121610SP	16	20	TA1250804R0	8	1
RO195240100	18	2	SS6121860SP	14	70	TA2000502R0	2	11
SB309000400	16	18	SS6151220SP	14	56	TA2101002R0	2	52
SD0380552SL	2	17	SS6661110SP	6	17	TA2101002R0	4	52
SD0490261SP	22	23	SS6661110SP	26	21	WP0450826SC	22	31
SD0600322SD	10	18	SS6661110SP	28	26	WP0480856SP	14	54
SD0640261SP	10	6	SS6700710SH	20	5	WP0501016SD	22	10
SD0720331SP	10	21	SS7080510TP	8	7	WP0621016SD	16	16
SD0790501SP	16	12	SS7081310SP	22	24	WP0650876SD	10	8
SD1000801SH	12	44	SS7090620TP	10	36	WP0702026SP	12	22
SE4301041SR	18	13	SS7091110TP	10	33	WP1612616SE	24	19

NUMERICAL INDEX OF PARTS

PART NO	PAGE	REF NO.
WS0510002KN	24	16
WS1643202KR	24	20
WZ1250300K0	14	68