

MODEL : DLN-5410 SERIES

List No : 0902-01

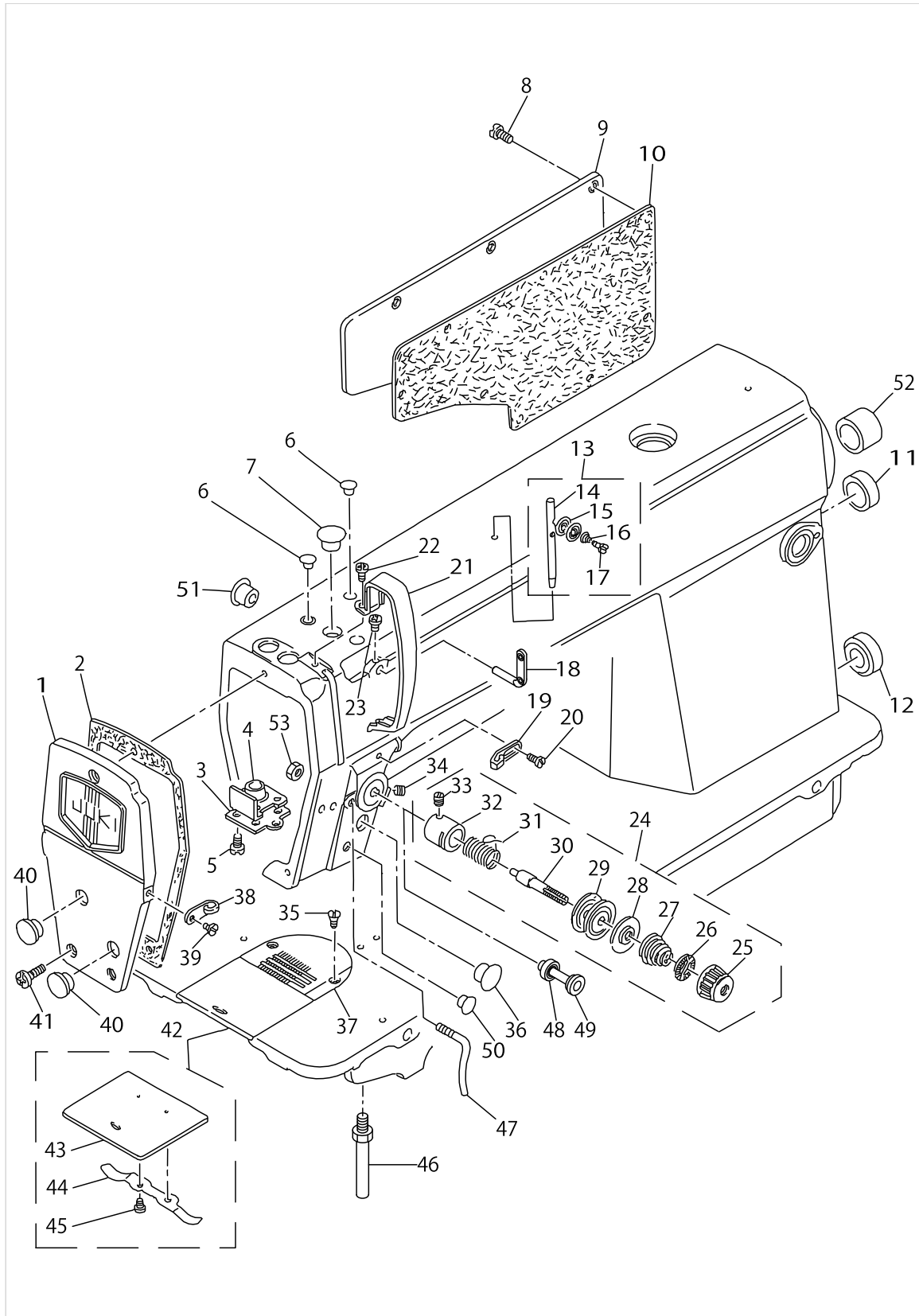
PARTS LIST

Published:05/12/2017

CONTENTS

MACHINE FRAME & MISCELLANEOUS COVER COMPONENTS	1
MAIN SHAFT COMPONENTS	5
NEEDLE BAR, UPRIGHT SHAFT & HOOK DRIVING SHAFT COMPONENTS	7
HAND LIFTER COMPONENTS	9
FEED MECHANISM COMPONENTS.....	11
NEEDLE BAR FRAME COMPONENTS.....	15
OIL LUBRICATION COMPONENTS	17
OIL RESERVOIR COMPONENTS	19
BELT COVER & BOBBIN COMPONENTS.....	21
THREAD STAND COMPONENTS.....	23
EXCLUSIVE PARTS FOR DLN-5410H.....	25
EXCLUSIVE PARTS FOR DLN-5410L	27
HOW TO MAKE USE OF THIS PARTS LIST	29

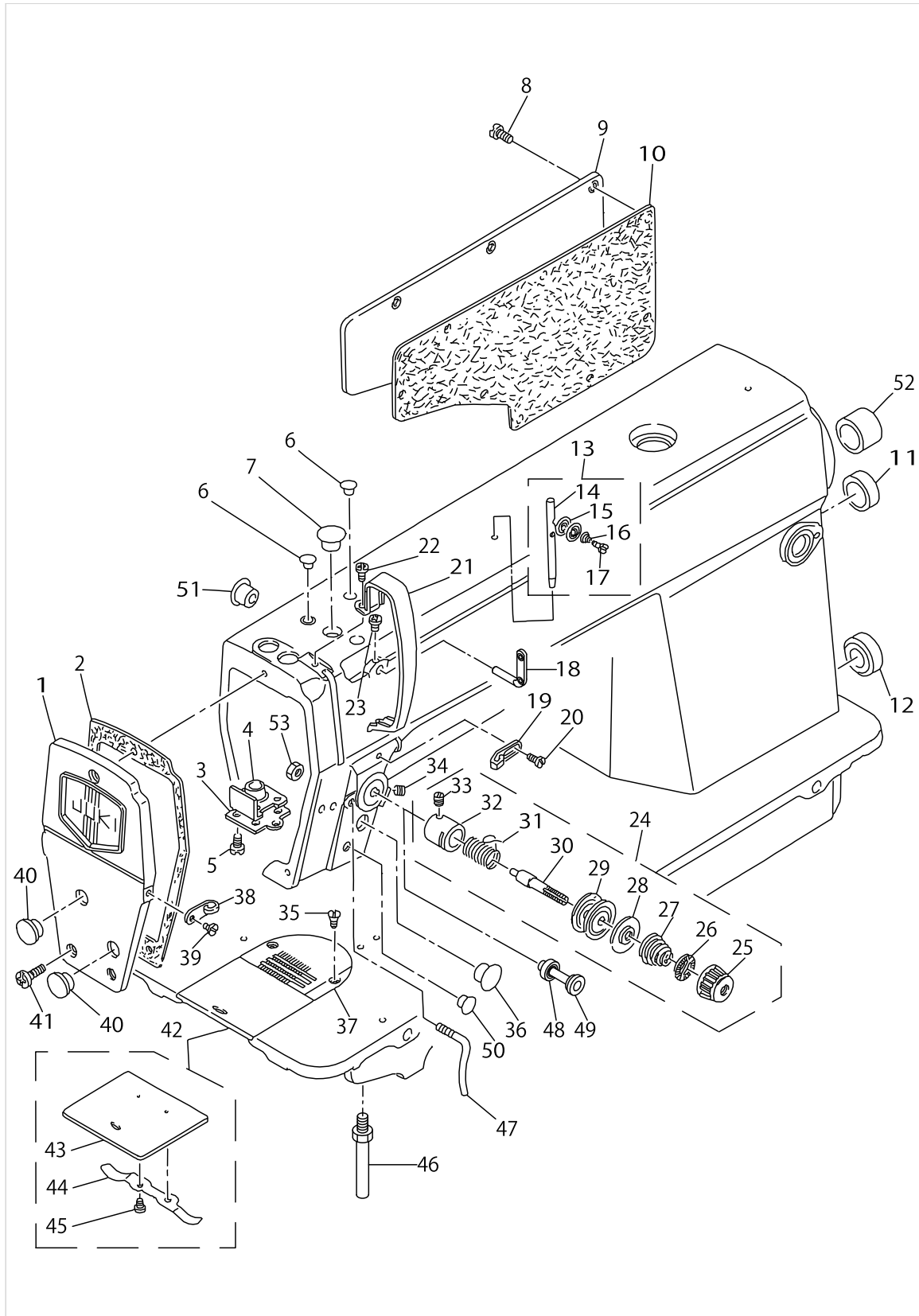
MACHINE FRAME & MISCELLANEOUS COVER COMPONENTS



MACHINE FRAME & MISCELLANEOUS COVER COMPONENTS

No.	Supply Code	Parts No.	Replacement	Parts name	Remarks	Choice	Step	Level	Cons	Qty	Rep. QTY
1	D	11300258		FACE PLATE ASM.						1	
2		11300506		FACE PLATE GASKET						1	
3		11300407		PRESSER BAR SUPPORT						1	
4		11300605		GASKET						1	
5		SS1120710SP		SCREW 3/16-28 L=6.5						4	
6		TA0850604R0		RUBBER PLUG						2	
7		TA1250705R0		RUBBER PLUG						1	
8		SS4120915SP		SCREW 3/16-28 L=9						8	
9		11000510		SIDE PLATE						1	
10	R	11000619	40012129	GASKET						1	1.00
11		TA2000502R0		RUBBER PLUG						1	
12		TA2101002R0		RUBBER PLUG						1	
13	R	B11131550A0	22932552	NEEDLE THREAD GUIDE PIN ASM.						1	1.00
14	R	B1113155000	22932552	NEEDLE THREAD GUIDE PIN				*		1	1.00
15		B3148123000		TENSION DISC				*		2	
16	R	B3149123A00	26021600	TENSION SPRING				*		1	1.00
17		SD0380552SL		HINGE SCREW D=3.8 H=5.5				*		1	
18	R	11018702	22920706	TWO-HOLE THREAD EYELET						1	1.00
19	R	11018504	22920508	ARMTHREADGUIDEA						1	1.00
20	R	11001500	22921001	SCREW						1	1.00
21	R	11000700	22900609	THREAD TAKE-UP LEVER COVER						1	1.00
22		SS4120615SP		SCREW 3/16-28 L=6						1	
23		SS4120615SP		SCREW 3/16-28 L=6						1	
24		11018959		THREAD TENSION ASM.						1	
25		11018900		TENSION NUT				*		1	
26		B3120125000		ROTATING STOPPER				*		1	
27		B3129012A00		TENSION SPRING				*		1	
28		B3132552000		THREAD TENSION DISK PRESSER				*		1	
29	R	B3126012000	22921506	THREAD TENSION DISK				*		2	1.00
30		B3115552000		TENSION POST				*		1	
31	R	B3128012000	22921605	TAKE-UP SPRING				*		1	1.00
32	R	B3111552B00	22945307	TENSION POST SOCKET				*		1	1.00
33		SS8090670SP		SCREW 9/64-40 L=5.5				*		1	
34	R	SS8150710SP	SS8150710TP	SCREW 15/64-28 L=7						1	1.00
35		SS2110920TP		SCREW 11/64-40 L=8.5						2	
36		TA1250504R0		RUBBER PLUG						1	
37		11300308		THROAT PLATE						1	
38	R	11018603	22920607	ARMTHREADGUIDEB						1	1.00
39		SS6110610TP		SCREW 11/64-40 L=6						1	
40		TA1250406R0		RUBBER PLUG D=12.5 L=4						2	
41		SS4121015SP		SCREW 3/16-28 L=10						3	
42	R	11001658	22901250	BED SLIDE ASM.						1	1.00
43		B1110012000		SLIDE PLATE				*		1	
44		11001609		BED SLIDE SPRING				*		1	
45		SS6060210SP		SCREW 3/32-56 L=1.9				*		2	
46	R	11001104	22901003	BED SCREW STUD						4	1.00

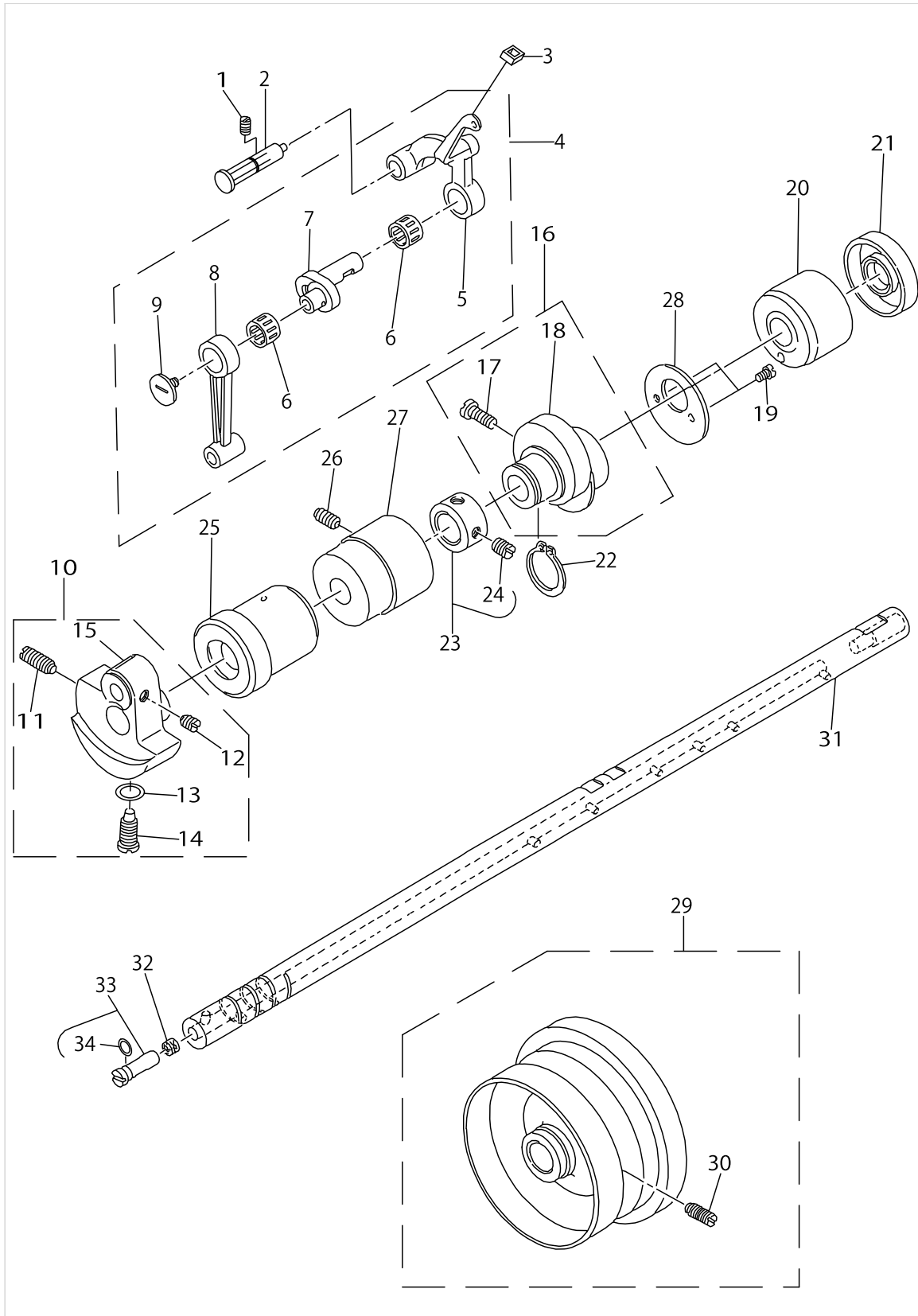
MACHINE FRAME & MISCELLANEOUS COVER COMPONENTS



MACHINE FRAME & MISCELLANEOUS COVER COMPONENTS

No.	Supply Code	Parts No.	Replacement	Parts name	Remarks	Choice	Step	Level	Cons	Qty	Rep. QTY
47	R	11305513	22972608	ARM THREAD GUIDE, C						1	1.00
48		B31334150A0		TENSION RELEASE PIN CAP						1	
49		B3136415000		CAP RING						1	
50		TA0850604R0		RUBBER PLUG						1	
51		TA1250504R0		RUBBER PLUG						1	
52		TA2101002R0		RUBBER PLUG						1	
53		NS6090310SP		NUT 9/64-40						1	

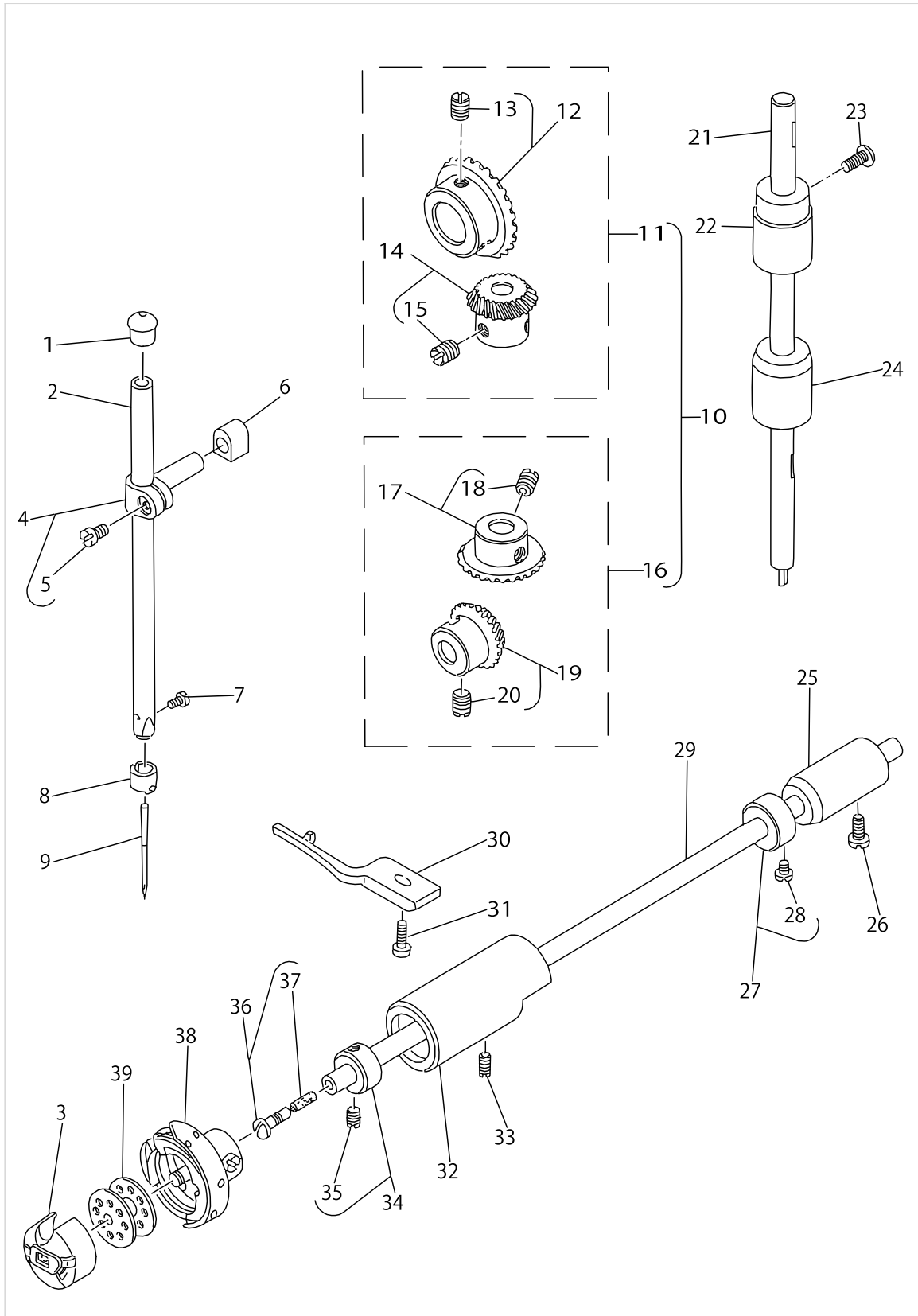
MAIN SHAFT COMPONENTS



MAIN SHAFT COMPONENTS

No.	Supply Code	Parts No.	Replacement	Parts name	Remarks	Choice	Step	Level	Cons	Qty	Rep. QTY
1	R	SS8151150SP	SS8151150TP	SCREW 15/64-28 L=10.5						1	1.00
2		11017357		THREAD TAKE-UP CRANK SHAFT ASM						1	
3	R	B1909505000	22919203	RUBBER						1	1.00
4	R	11039070	22918072	THREAD TAKE-UP LEVER ASM.						1	1.00
5	R	11039062	22918072	THREAD TAKE-UP LEVER ASM.				*		1	1.00
6		B1905541B00		NEEDLE BEARING	SELECTIVE PART			*		2	
7	R	11005204	22918106	NEEDLE BAR CRANK				*		1	1.00
8	R	B1408552000	22906606	NEEDLE BAR CRANK ROD				*		1	1.00
9		B1903552000		LEFT SCREW				*		1	
10	R	11002169	22903157	COUNTERWEIGHT ASM.						1	1.00
11		SS8681650TP		SCREW 9/32-28 L=16				*		1	
12		SS8660610TP		SCREW 1/4-40 L=6				*		2	
13		RO044240100		RUBBER RING				*		1	
14		SS7681650TP		SCREW 9/32-28 L=16				*		1	
15	R	11002102	22903157	COUNTERWEIGHT				*		1	1.00
16		11302353		FEED DRIVE ECCENTRIC CAM ASM.						1	
17		SS6661110SP		SCREW 1/4-40 L=11				*		2	
18	R	11302304	11302353	FEED DRIVE ECCENTRIC CAM				*		1	1.00
19	R	SS6090650SP	SS6090670TP	SCREW 9/64-40 L=6						2	1.00
20	R	11002805	11002409	MAIN SHAFT BUSHING, REAR						1	1.00
21	R	11002508	40105231	OIL SEAL						1	1.00
22		RC1850001KP		SNAP RING 18.5						1	
23	R	CS147121ASH	22904155	THRUST COLLAR ASM.D=14.72 W=12						1	1.00
24		SS8660610TP		SCREW 1/4-40 L=6				*		2	
25		11300902		BUSHING, FRONT						1	
26		SS8150912TH		SCREW 15/64-28 L=9						1	
27		11202306		BUSHING, INTERMEDIATE						1	
28	R	11008109	22910103	THRUST COLLAR						1	1.00
29		11002656		FLY WHEEL						1	
30		SS8151550SP		SCREW 15/64-28 L=15				*		2	
31	R	11002003	22903009	MAIN SHAFT						1	1.00
32		11002904		ROLLER FELT						1	
33		B12135520A0A		OIL AMOUNT ADJUSTING PIN ASM.						1	
34		RO029180100		RUBBER RING						1	

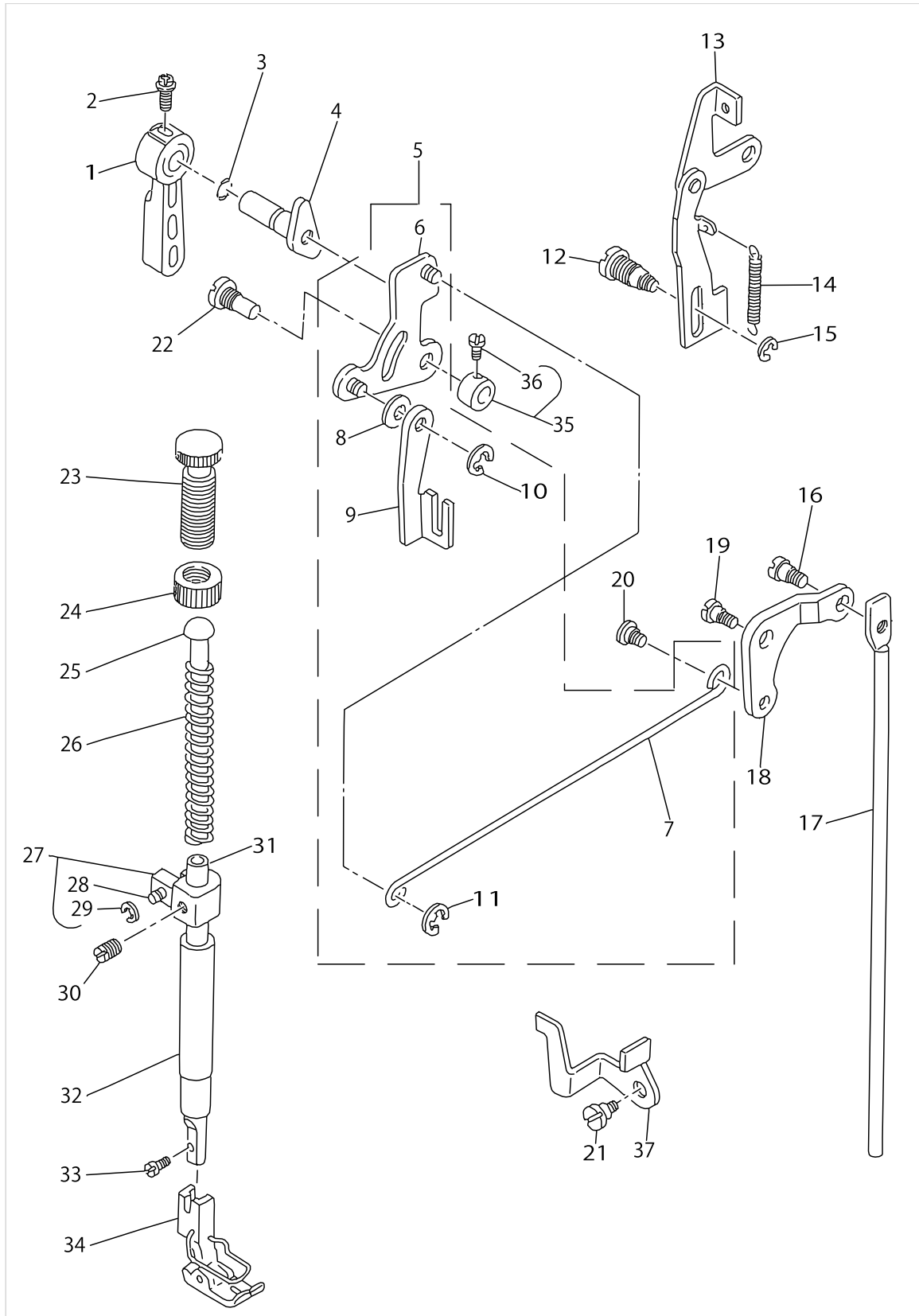
NEEDLE BAR, UPRIGHT SHAFT & HOOK DRIVING SHAFT COMPONENTS



NEEDLE BAR, UPRIGHT SHAFT & HOOK DRIVING SHAFT COMPONENTS

No.	Supply Code	Parts No.	Replacement	Parts name	Remarks	Choice	Step	Level	Cons	Qty	Rep. QTY
1		TA1250804R0		RUBBER PLUG						1	
2		11301009		NEEDLE BAR, A						1	
3		B18370120A0		BOBBIN CASE ASM.						1	
4		B14115520A0		NEEDLE ROD HOLDER ASM.						1	
5		SS6090670TP		SCREW 9/64-40 L=6				*		1	
6		B1414226000		SLIDE BLOCK						1	
7		SS7080510TP		SCREW 1/8-44 L=4.5						1	
8		B1418552A00		NEEDLE THREAD GUIDE A						1	
9		MDB100B1400		NEEDLE DBX1 #14						1	
10	R	B13061550C0	B13071550C0	GEAR & PINION ASM.						1	1.00
11		B13061550B0		GEAR & PINION ASM., UPPER				*		1	
12		B13050120A0		GEAR ASM.				*		1	
13		SS8660810TP		SCREW 1/4-40 L=8				*		2	
14		B13061550A0		PINION ASM.				*		1	
15		SS8660810TP		SCREW 1/4-40 L=8				*		2	
16		B13071550B0		GEAR & PINION ASM., LOWER				*		1	
17		B13071550A0		GEAR ASM. LARGE				*		1	
18		SS8660810TP		SCREW 1/4-40 L=8				*		2	
19		B13081550A0		PINION ASM.				*		1	
20		SS8660810TP		SCREW 1/4-40 L=8				*		2	
21	R	11004009	22905004	UPRIGHT SHAFT						1	1.00
22	R	11004306	22905103	BUSHING, UPPER						1	1.00
23		SS4120915SP		SCREW 3/16-28 L=9						1	
24		11004207		UPRIGHT SHAFT BUSHING, LOWER						1	
25	R	11015807	22916308	BUSHING, REAR						1	1.00
26		SS4120915SP		SCREW 3/16-28 L=9						1	
27		CS079101ASH		THRUST COLLAR A- SM. D=7.94 W=10						1	
28		SS6110420TP		SCREW 11/64-40 L=4.8				*		2	
29	R	11015005	22916001	HOOK DRIVING SHAFT						1	1.00
30	R	11038809	22942502	BOBBIN CASE HOLDER						1	1.00
31	R	SS6111010SP	SS6111010TP	SCREW 11/64-40 L= 9.5						1	1.00
32	R	11015104	22916100	BUSHING ASM., FRONT						1	1.00
33		SS8150432TH		SCREW 15/64-28 L=4						1	
34		CS079073ASH		THRUST COLLAR ASM.						1	
35		SS8110410TP		SCREW 11/64-40 L= 3.5				*		2	
36		B18085520A0		OILSEALSCREWASM.						1	
37		B1810552000		OIL WICK				*		1	
38		B18304150A0		HOOK ASM.						1	
39	R	B9117012000	22932909	BOBBIN						1	1.00

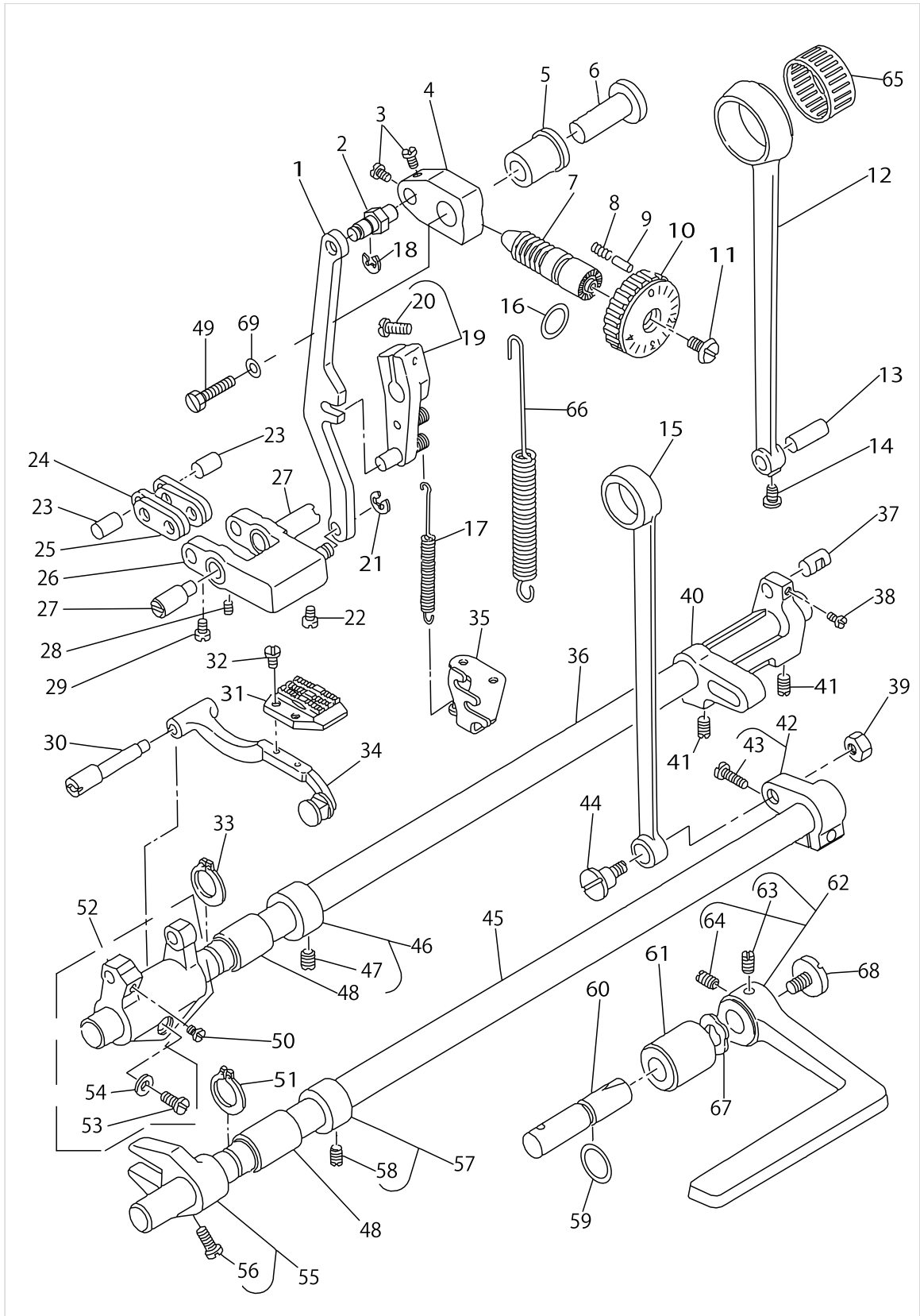
HAND LIFTER COMPONENTS



HAND LIFTER COMPONENTS

No.	Supply Code	Parts No.	Replacement	Parts name	Remarks	Choice	Step	Level	Cons	Qty	Rep. QTY
1		B1520552000A		HAND LIFTER						1	
2		B1521555000		SCREW						1	
3		RO037180100		RUBBER RING						1	
4	R	11006756	22908552	HAND LIFTER CAM ASM.						1	1.00
5		11301652		LIFTING LEVER ASM.						1	
6	R	11006350	22908354	HAND LIFTER LINK				*		1	1.00
7	R	11006905	22908305	LIFTING LEVER CONNECTING ROD				*		1	1.00
8		WP0650876SD		WASHER 6.5X13X0.8				*		1	
9		11301603		LIFTING LEVER				*		1	
10		RE0500000K0		E-RING				*		1	
11		RE0500000K0		E-RING				*		1	
12		11306107		TENSION RELEASE PLATE SHAFT						1	
13		11305653		TENSION RELEASE PLATE ASM.						1	
14		11305901		SPRING						1	
15		RE0300000K0		E-RING 3						1	
16		SD0600322SD		HINGE SCREW D=6 H=3.2						1	
17		11205408		CONNECTING ROD						1	
18		11205309		LIFTING LEVER LINK						1	
19		SD0720331SP		HINGE SCREW D= 7.24 H= 3.3						1	
20	R	11007101	22908909	HINGE SCREW						1	1.00
21		SD0640261SP		HINGE SCREW D=3.65 H=2.6						1	
22		11301702		LINK SHAFT						1	
23	R	B1509555000	40011951	PRESSER SPRING REGULATOR						1	1.00
24	R	B1511555000	40012052	NUT						1	1.00
25	R	B1510227000	22907703	PRESSER GUIDE BAR						1	1.00
26	R	B1505227000A	22907406	PRESSER SPRING						1	1.00
27		11301355		NEEDLE BAR GUIDE BRACKET ASM.						1	
28		11301405		PIN				*		1	
29		RE0300000K0		E-RING 3				*		2	
30		SS8660610TP		SCREW 1/4-40 L=6						1	
31	R	B1501127000	40017805	PRESSER BAR						1	1.00
32	R	B1502541000	22907109	PRESSER BAR BUSHING, LOWER						1	1.00
33	R	SS7091110SP	SS7091110TP	SCREW 9/64-40 L=10.5						1	1.00
34	R	D1524415BBA	D1524415BBC	PRESSER FOOT ASM.						1	1.00
35		CS064061ASP		THRUST COLLAR ASM.						1	
36		SS7090620TP		SCREW 9/64-40 L=6.1				*		1	
37		11305703		TENSION RELEASE LINK, A						1	

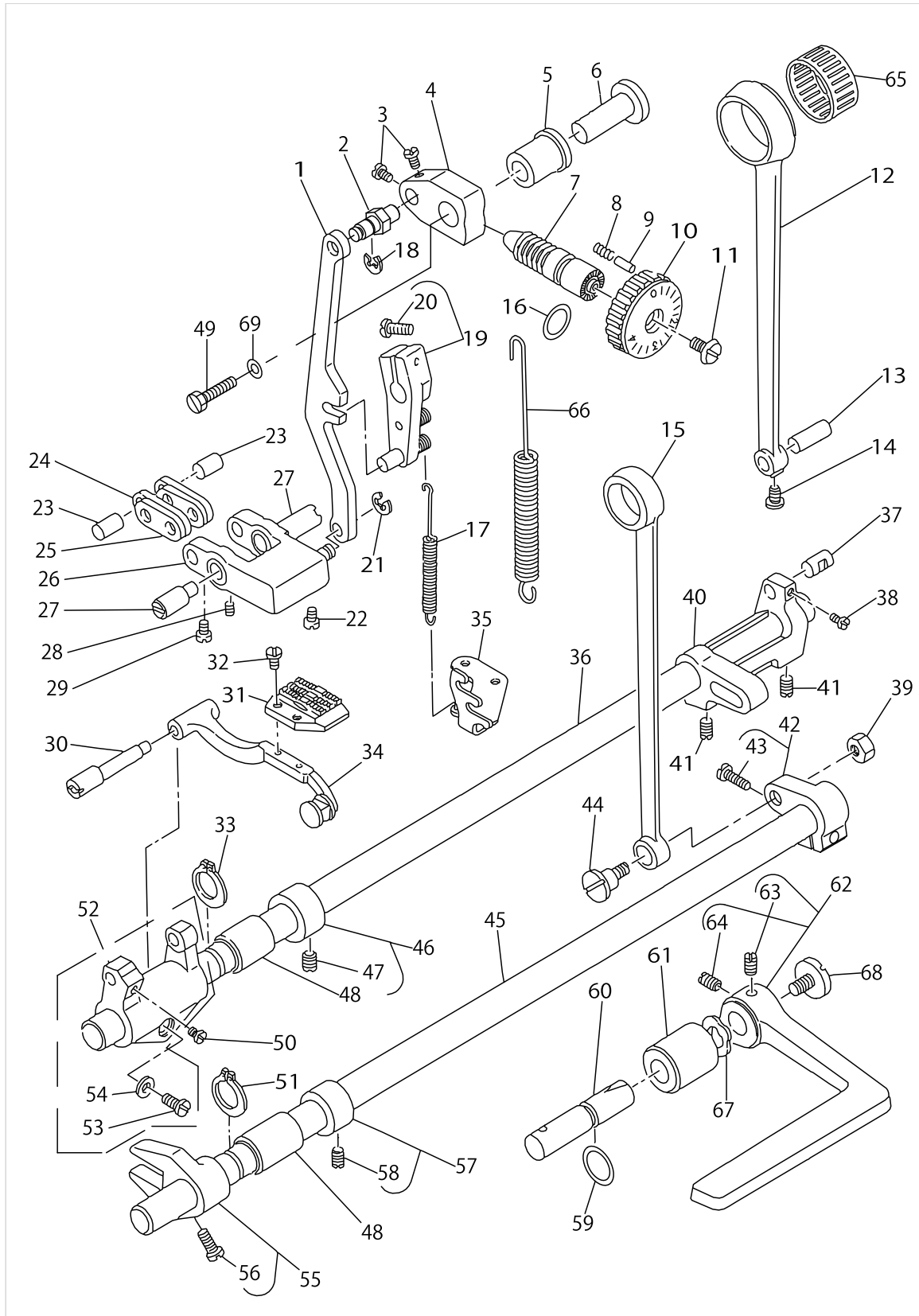
FEED MECHANISM COMPONENTS



FEED MECHANISM COMPONENTS

No.	Supply Code	Parts No.	Replacement	Parts name	Remarks	Choice	Step	Level	Cons	Qty	Rep. QTY
1	R	11302106	22971105	FEED ADJUST ROD						1	1.00
2	R	11302817	22971204	PIN						1	1.00
3		SS6090560TP		SCREW 9/64-40 L=4.5						2	
4		11303328		FEED REGULATOR BUSHING						1	
5	R	11011509	22911705	FEED REGULATOR BUSHING						1	1.00
6		11385127		FEED REGULATOR SHAFT						1	
7	R	11009909	22911804	FEED REGULATOR SCREW						1	1.00
8	R	B1148555000	22912109	SPRING						1	1.00
9	R	11052701	22912000	PIN						1	1.00
10	D	11302007		FEED REGULATOR						1	
11		SS6120930TP		SCREW 3/16-28 L=9						1	
12	R	11302411	40081220	ROCKER SHAFT CO- NNECTING ROD						1	1.00
13	R	11009206	22911101	WALKING FOOT PIN C						1	1.00
14	R	SS6090620SP	SS6090620TP	SCREW 9/64-40 L=6						1	1.00
15	R	11014008	22915003	CONNECTING ROD						1	1.00
16		RO092270200		RUBBER RING						1	
17		11305000		SPRING						1	
18		RE0500000K0		E-RING						1	
19	R	11302254	22971550	FEED REVERSE ARM ASM.						1	1.00
20		SS6121250TP		SCREW 3/16-28 L=11.5				*		1	
21		RE0500000K0		E-RING						1	
22		SS6151220SP		SCREW 15/64-28 L=11.5						1	
23	R	11009008	22910905	WALKING FOOT PIN A						2	1.00
24	R	11303005	22910707	CONNECTING LINK, B						2	1.00
25	R	11302908	22910608	CONNECTING LINK, A						2	1.00
26		11303161		FEED ADJUST LINK ASM.						1	
27	R	11008802	22910806	ADJUSTING LINK F- ULCRUM SHAFT A						2	1.00
28	R	SS8150710SP	SS8150710TP	SCREW 15/64-28 L=7						1	1.00
29	R	SS6090620SP	SS6090620TP	SCREW 9/64-40 L=6						2	1.00
30	R	11011103	22913206	FEED BAR SHAFT						1	1.00
31		D1609415B00		FEED DOG						1	
32		SS4080620TP		SCREW 1/8-44 L=6						2	
33		RC0150001KP		RETAINING RING 13.8						1	
34	R	11011251	22940803	FEED BAR ASM.		A				1	1.00
34	R	11011251	22940654	FEED BAR ASM.		A				1	1.00
34	R	11011251	22940753	FEED BAR ASM.		A				1	1.00
35	R	11301900	22970602	FEED SPRING HOOK						1	1.00
36	R	11010808	22912901	FEED ROCKERSHAFT						1	1.00
37	R	11009107	22911002	WALKING FOOT PIN B						1	1.00
38	R	SS6090620SP	SS6090620TP	SCREW 9/64-40 L=6						1	1.00
39		NS6680410SP		NUT 9/32-28						1	
40	R	11302502	11302551	FEED ROCKER SHAFT CRANK						1	1.00
41		SS8681130SP		SCREW 9/32-28 L=11						2	
42	R	11014156	22915151	REAR CRANK ASM.						1	1.00
43		SS7121610SP		SCREW 3/16-28 L=15.5				*		1	

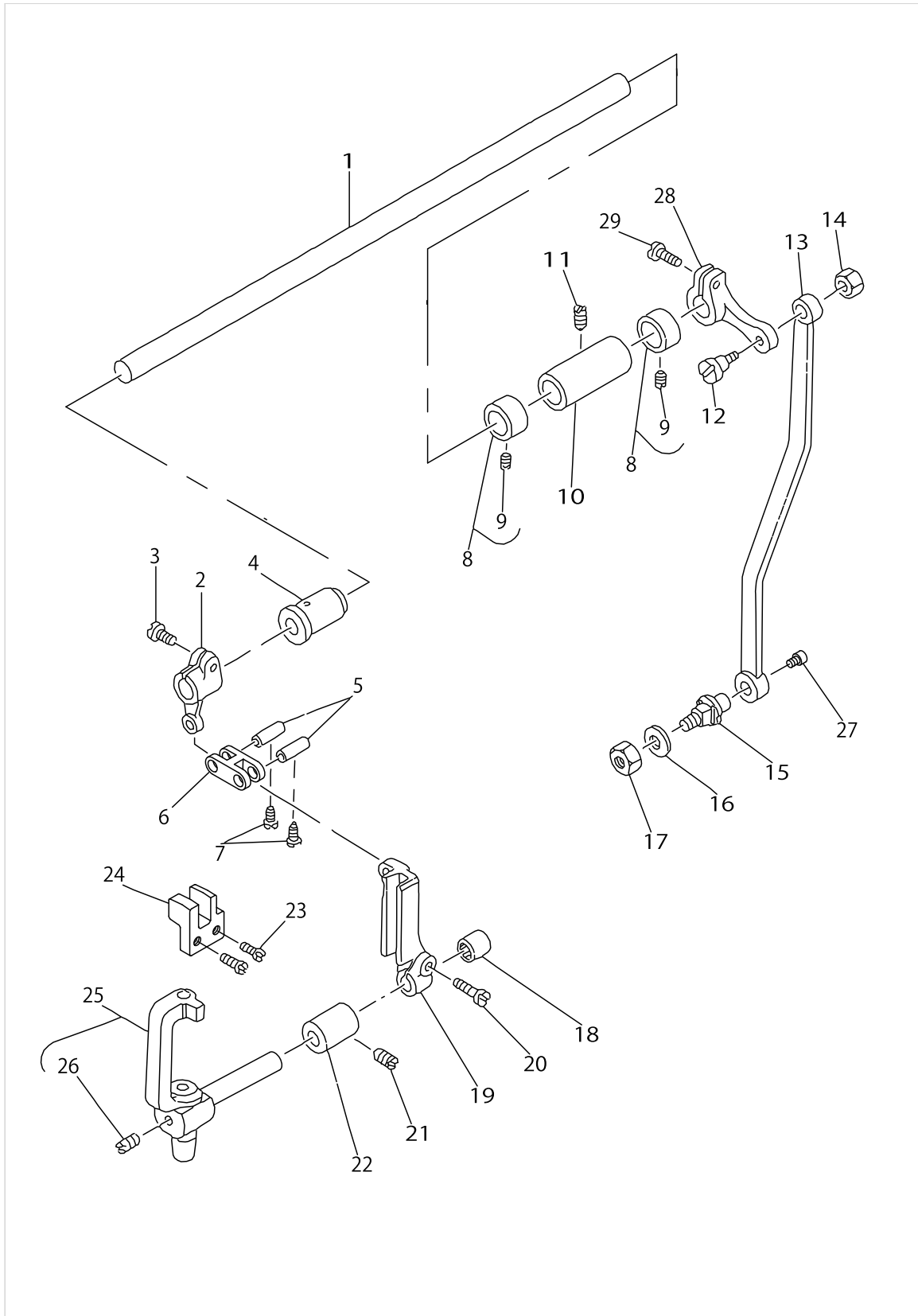
FEED MECHANISM COMPONENTS



FEED MECHANISM COMPONENTS

No.	Supply Code	Parts No.	Replacement	Parts name	Remarks	Choice	Step	Level	Cons	Qty	Rep. QTY
44		SD1000801SH		HINGE SCREW D=10 H=8						1	
45	R	11014206	22915201	FEED DRIVING SHAFT						1	1.00
46	R	CS147121ASH	22904155	THRUST COLLAR A-SM.D=14.72 W=12						1	1.00
47		SS8660610TP		SCREW 1/4-40 L=6				*		2	
48	R	11010907	22913008	FEED ROCKER SHAFT BUSHING						2	1.00
49		SS9661120CP		SCREW 1/4-40 L=10.5						1	
50		SS7110740TP		SCREW 11/64-40 L=7						1	
51		RC0150001KP		RETAINING RING 13.8						1	
52	R	11011053	22913156	FEED ROCKER ASM.						1	1.00
53		SS7121410TP		SCREW 3/16-28 L=14				*		1	
54		WP0480856SP		WASHER 4.8X8.4X0.8				*		1	
55	R	11014354	22915359	DRIVING SHAFT CRANK ASM.						1	1.00
56	R	SS7111120SP	SS7111120TP	SCREW 11/64-40 L=10.5				*		1	1.00
57	R	CS147121ASH	22904155	THRUST COLLAR A-SM.D=14.72 W=12						1	1.00
58		SS8660610TP		SCREW 1/4-40 L=6				*		2	
59		RO078190100		RUBBER RING						1	
60	R	11053105	22967202	FEED REVERSE SHAFT						1	1.00
61	R	11010709	22912802	FEED LEVER METAL				*		1	1.00
62	R	11010659	22912752	REVERSE FEED CONTROL LEVER ASM						1	1.00
63		SS8661040TP		SCREW 1/4-40 L=10				*		1	
64		SS8661030SP		SCREW 1/4-40 L=10				*		1	
65		B1636581C00		NEEDLE BEARING	SELSCTIVE PART					1	
66		11302619		SPRING						1	
67		WZ1250300K0		WAVED WASHER 12.5X17X0.3						1	
68		SS7620750SP		SCREW 3/16-32 L=6.5						1	
69		WP0702026SP		WASHER 7X15X2						1	

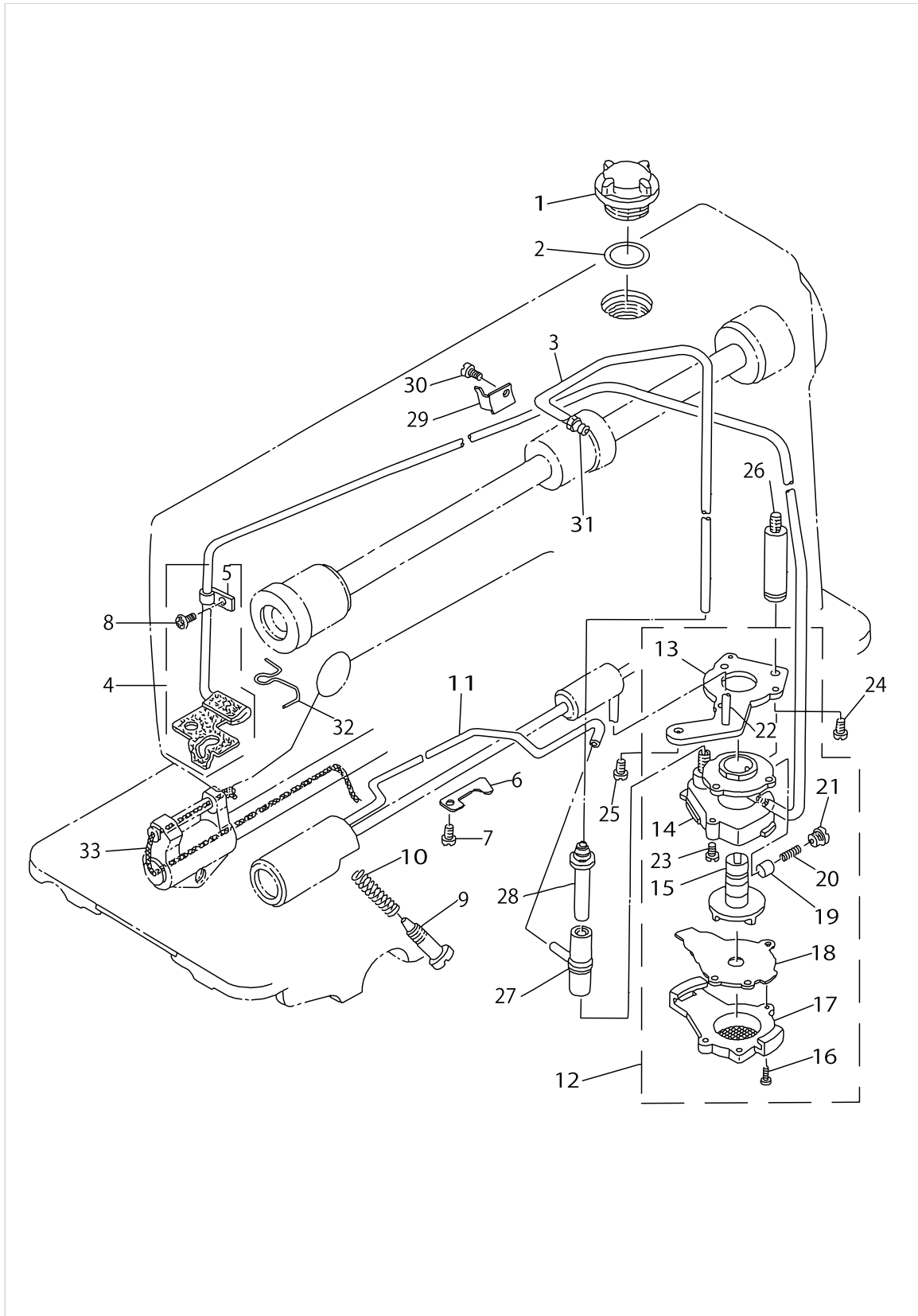
NEEDLE BAR FRAME COMPONENTS



NEEDLE BAR FRAME COMPONENTS

No.	Supply Code	Parts No.	Replacement	Parts name	Remarks	Choice	Step	Level	Cons	Qty	Rep. QTY
1		11304409		CONNECTING SHAFT						1	
2	R	11304003	11304052	DRIVING CRANK, FRONT						1	1.00
3		SS6121220TP		SCREW 3/16-28 L=11.5						1	
4		11211000		ROCK SHAFT BUSHING, FRONT						1	
5		B1412352B00		NEEDLE BAR LINK PIN	SELECTIVE PART					2	
6		B2906415000		DRIVING LINK						1	
7		SS6090660TP		SCREW 9/64-40 L=6						2	
8		CS120101BSH		THRUST COLLAR ASM.						2	
9		SS8660410SP		SCREW 1/4-40 L= 4.2				*		4	
10		11210903		ROCK SHAFT BUSHING, REAR						1	
11		SS8120740SP		SCREW 3/16-28 L=7						1	
12		SD0790501SP		HINGE SCREW D=7.94 H=5						1	
13		11304201		CONNECTING ROD						1	
14		NS6150310SP		NUT 15/64-28						1	
15		11304300		CONNECTING ROD SHAFT						1	
16		WP0621016SD		WASHER 6.2X13X1						1	
17		NS6150430SP		NUT 15/64-28						1	
18		SB309000400		BEARING						1	
19		11303807		SLIDE BLOCK GUIDE						1	
20		SS6121610SP		SCREW 3/16-28 L=15.5						1	
21		SS8120740SP		SCREW 3/16-28 L=7						1	
22		11214509		BUSHING						1	
23		SS6090810SP		SCREW 9/64-40 L= 7.5						2	
24		11303906		NEEDLE BAR FRAME GUIDE						1	
25		11303567		NEEDLE ROD ROCK- ING BASE ASM.						1	
26		SS8110310SP		SCREW 11/64-40 L= 2.8				*		1	
27		SS6110640SP		SCREW 11/64-40 L=6						1	
28	R	11304102	11304151	DRIVING CRANK, REAR						1	1.00
29		SS6121220TP		SCREW 3/16-28 L=11.5						1	

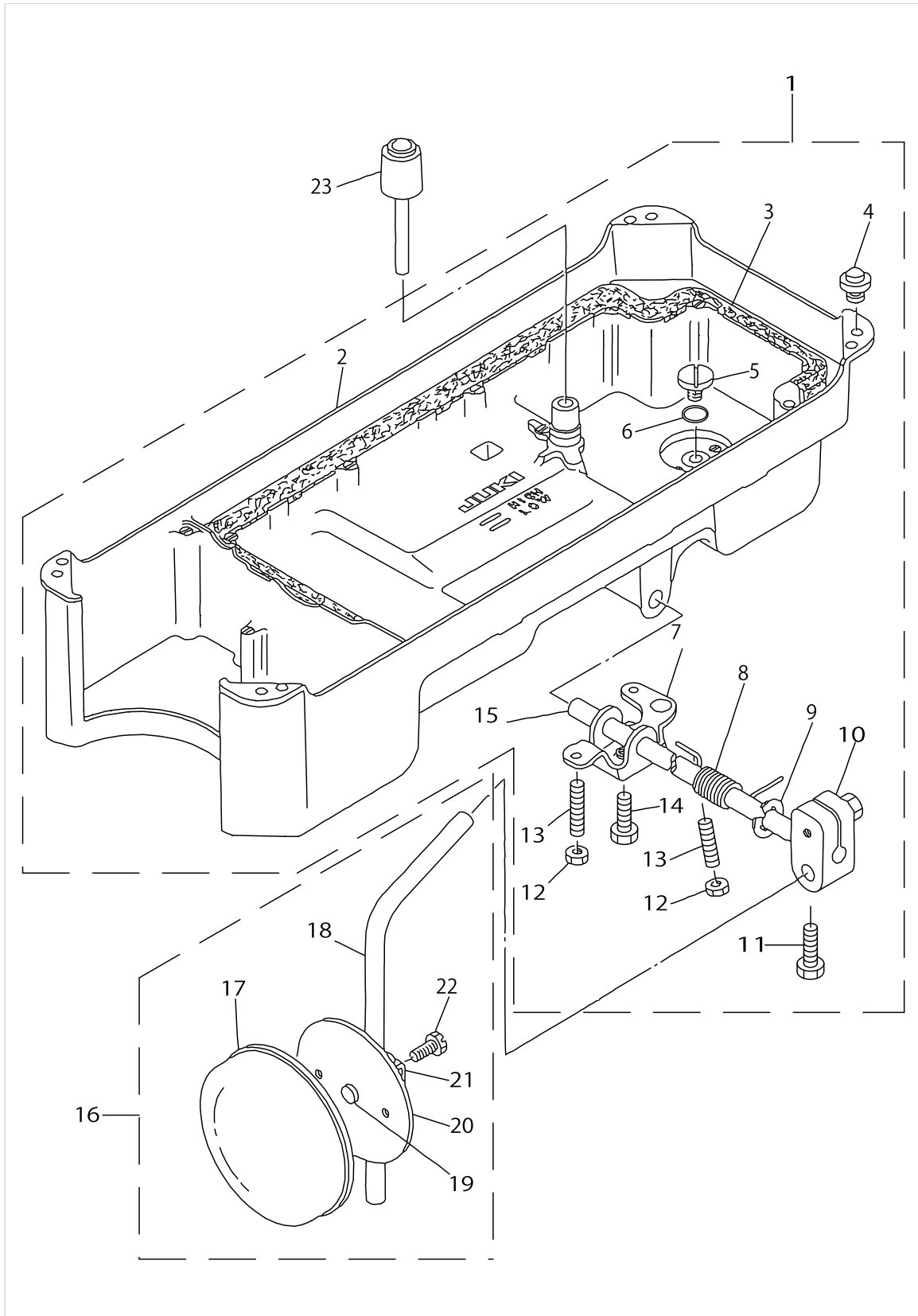
OIL LUBRICATION COMPONENTS



OIL LUBRICATION COMPONENTS

No.	Supply Code	Parts No.	Replacement	Parts name	Remarks	Choice	Step	Level	Cons	Qty	Rep. QTY
1	R	B3530555000	22924708	OIL SIGHT WINDOW						1	1.00
2		RO195240100		RUBBER RING						1	
3		BT0600402EA		OIL TUBE						.26	
4		11307154		OIL RETURN TUBE ASM.						1	
5		B3536122000		HOLDER				*		1	
6	R	11021706	22924807	TUBE HOLDER (LOWER)						1	1.00
7		SS4120615SP		SCREW 3/16-28 L=6						1	
8		SS4120615SP		SCREW 3/16-28 L=6						1	
9	R	B3514412000	22925002	OIL ADJUSTING SCREW						1	1.00
10	R	B2616372000	22924906	SPRING						1	1.00
11		11307352		OIL WICK ASM.						1	
12	R	11020054	22923056	LUBRICATING OIL PUMP ASM.						1	1.00
13	R	11020302	22923056	OIL PUMP INSTALLING BASE				*		1	1.00
14	R	11020005	22923056	OIL PUMP				*		1	1.00
15	R	11020708	22923700	OIL PUMP IMPELLER				*		1	1.00
16		SE4301041SR		SCREW D=3 L=10				*		3	
17	R	11020203	22923205	LUBRICATING OIL PUMP COVER				*		1	1.00
18	R	11020807	22923809	OIL PUMP IMPELLER COVER				*		1	1.00
19	R	11020401	22923403	PLUNGER				*		1	1.00
20	R	11020609	22923601	PLUNGER SPRING				*		1	1.00
21	R	11020500	22923502	PLUNGER SCREW				*		1	1.00
22	R	11020906	22923056	HOOK DRIVING SHAFT OIL TUBE				*		1	1.00
23		SL4030851SF		SCREW M3 L=8				*		3	
24		SS6111010TP		SCREW 11/64-40 L= 9.5						1	
25		SS4150915SP		SCREW 15/64-28 L=9						1	
26	R	11392107	22924005	OIL PUMP SUPPORT						1	1.00
27	R	11021409	22924609	RUBBER JOINT						1	1.00
28		11221504		OIL TUBE JOINT						1	
29		11222007		HOLDER						1	
30		SS6080340SP		SCREW 1/8-44 L=2.9						1	
31		SQ1150501SD		CONNECTINGSCREW						1	
32		11307006		OIL FELT PRESSER						1	
33		CQ252000000		OIL WICK						.21	

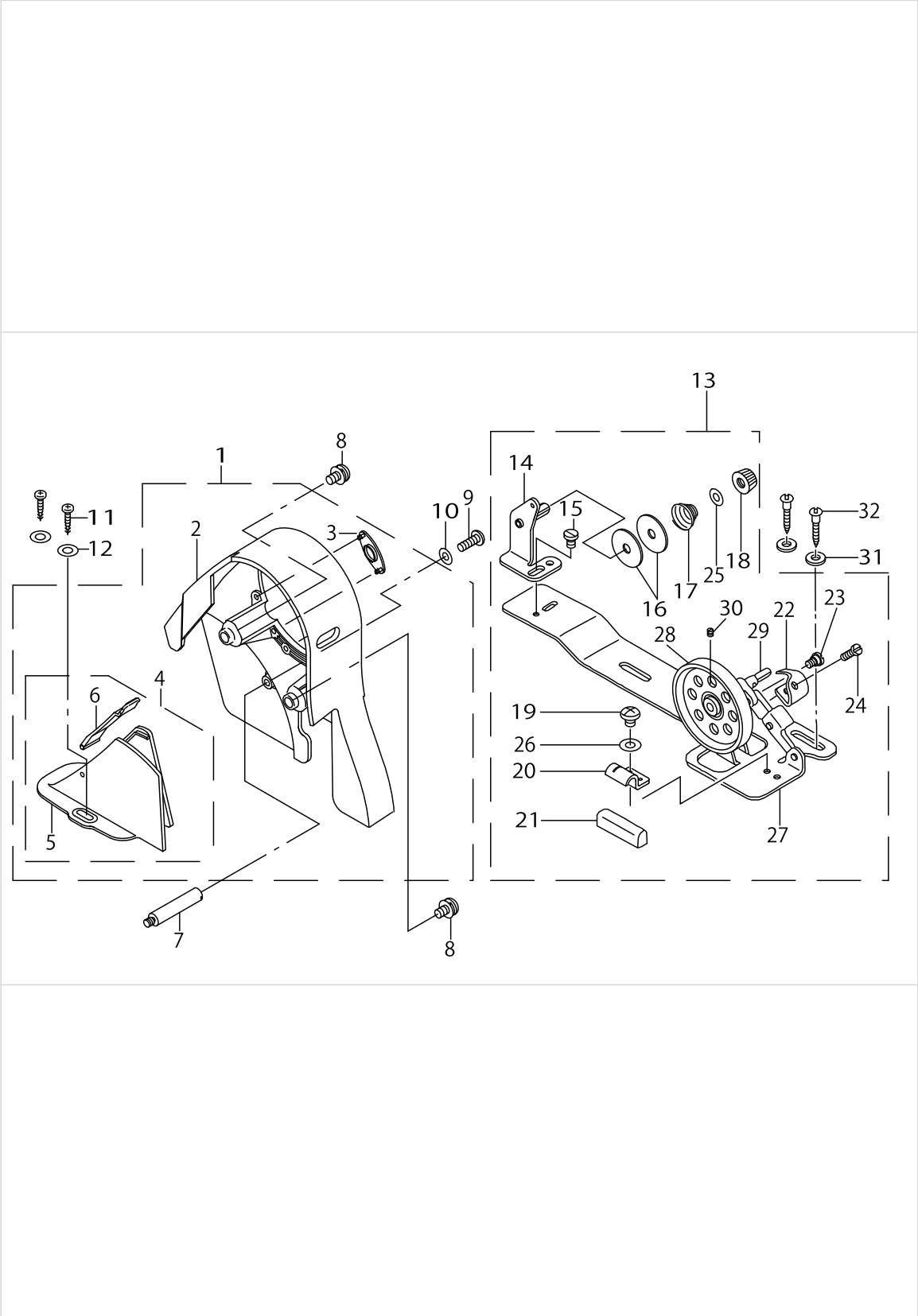
OIL RESERVOIR COMPONENTS



OIL RESERVOIR COMPONENTS

No.	Supply Code	Parts No.	Replacement	Parts name	Remarks	Choice	Step	Level	Cons	Qty	Rep. QTY
1	R	11047057	40102085	OIL RESERVOIR ASM.						1	1.00
2	R	11023017	40102085	OIL RESERVOIR				*		1	1.00
3		11024700		GASKET				*		1	
4		11047107		RUBBER CUSHION				*		4	
5		SS6700710SH		SCREW 5/16-24 L=7				*		1	
6		RO098240100		RUBBER RING				*		1	
7	R	11024015	22932156	CONNECTING ROD, VERTICAL				*		1	1.00
8	R	11024106	22932206	SPRING				*		1	1.00
9		RE1000000K0		E-RING 10				*		1	
10	R	11024510	22932453	BRACKET				*		1	1.00
11	R	SM9062053SR	22934707	SCREW M6 L=20				*		2	1.00
12		NM6060001SE		NUT M6				*		2	
13		SM8063012TR		SCREW M6 L=30				*		2	
14		SM9061853SR		SCREW M6 L=17.5				*		1	
15	R	11024205	22932305	KNEE PRESS ROD				*		1	1.00
16	R	11023751	22934251	KNEE PRESS PLATE ASM.						1	1.00
17	R	B3431552000A	22934509	KNEE PRESS PLATE COVER				*		1	1.00
18	R	B3419122000	22934608	KNEE LIFTER PLATE ROD				*		1	1.00
19	R	11024403	22934400	RUBBER				*		1	1.00
20	R	11023702	22934202	KNEE PRESS PLATE				*		1	1.00
21	R	11023801	22934301	KNEE PRESS PLATE HOLDER				*		1	1.00
22		SM9061203SE		SCREW M6 L=12				*		1	
23	R	11024304	22931703	KNEE PRESS LIFTER ROD						1	1.00

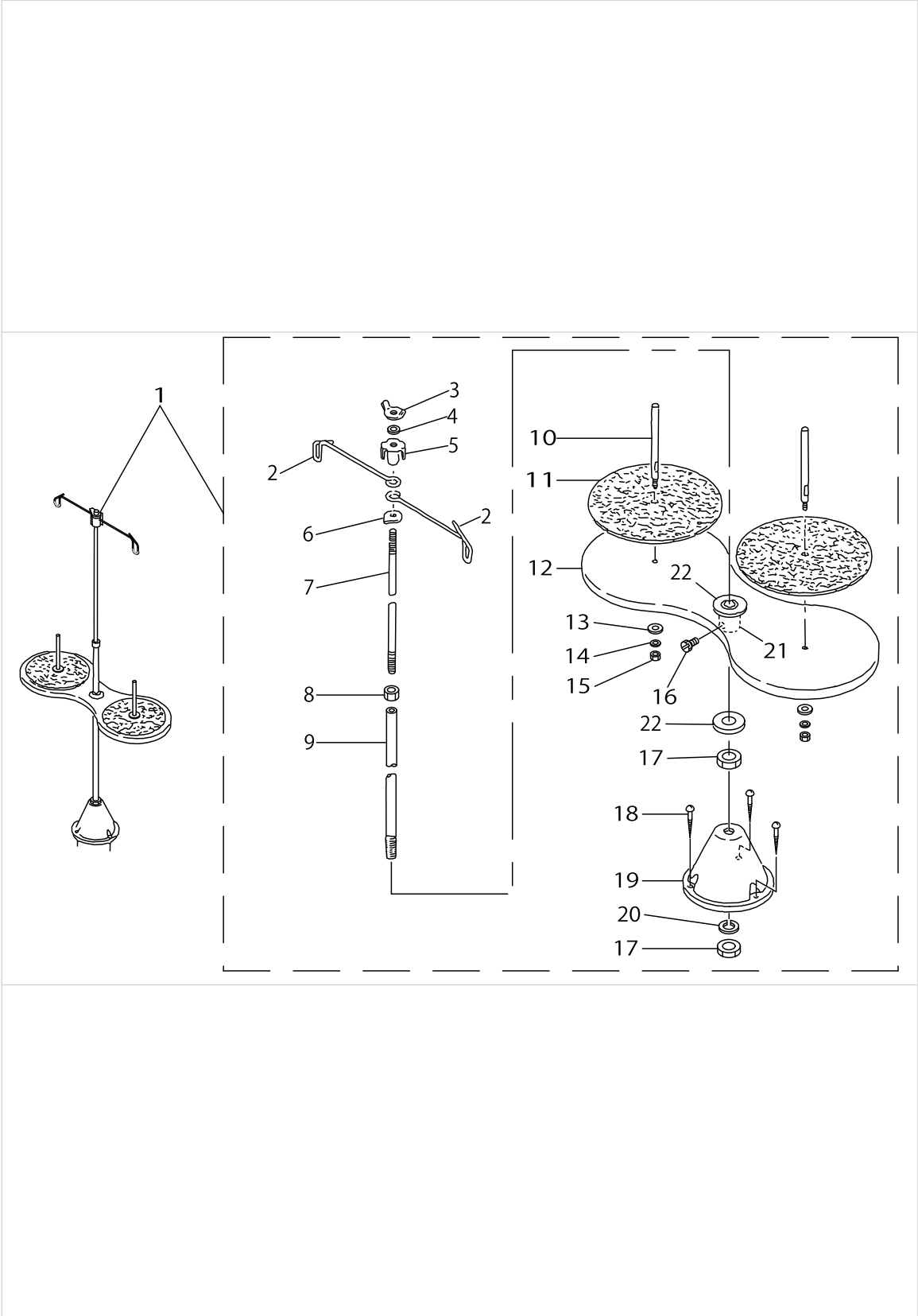
BELT COVER & BOBBIN COMPONENTS



BELT COVER & BOBBIN COMPONENTS

No.	Supply Code	Parts No.	Replacement	Parts name	Remarks	Choice	Step	Level	Cons	Qty	Rep. QTY
1	R	11025053	22933451	BELT COVER ASM. (BLACK)						1	1.00
2	R	11025004	22933451	BELT COVER A				*		1	1.00
3	R	11025103	22933451	BELT COVER A CAP				*		1	1.00
4	R	11025350	22933659	BELT COVER B JUNCTION				*		1	1.00
5	R	11025301	22933659	BELT COVER B				*		1	1.00
6	R	11025459	22933659	BELT COVER B COVER ASM.				*		1	1.00
7	R	11023504	22933907	BELT COVER SUPPORT, A						1	1.00
8		11025202		BELT COVER A SCREW						2	
9		SS4121415SP		SCREW 3/16-28 L=14						1	
10		WP0501016SD		WASHER 5X10.5X1						1	
11	R	SK3412000SC	SK3412000SE	WOOD SCREW D=4.1 L=20						1	1.00
12		WP0450826SC		WASHER 4.5X10X0.8						2	
13	R	11077567	22927354	BOBBIN WINDER COMPL.						1	1.00
14		11078250		THREAD TENSION BRACKET ASM.				*		1	
15		SS7110840SP		SCREW 11/64-40 L=7.8				*		1	
16	R	B3126012000	22921506	THREAD TENSION DISK				*		2	1.00
17	R	B3129012B00	22929004	THREAD TENSION SPRING				*		1	1.00
18		11072204		TENSION NUT				*		1	
19		SS4110515SP		SCREW 11/64-40 L=5				*		1	
20		11078102		PRESSER PLATE				*		1	
21		B3211555000		RUBBER BRAKE				*		1	
22		11078003		POSITIONING FINGER				*		1	
23		SD0490261SP		HINGE SCREW D=4.9 H=2.6				*		1	
24		SS7081310SP		SCREW 1/8-44 L=12.5				*		1	
25		WP0651001SB		WASHER				*		1	
26		WP0480856SP		WASHER 4.8X8.4X0.8				*		1	
27	R	11077500	22927354	BOBBIN BASE				*		1	1.00
28	R	11077609	22927404	BOBBIN PULLEY				*		1	1.00
29	R	B3204555000	22927602	BOBBIN WINDER POST				*		1	1.00
30	R	SS8110510SP	SS8110520TP	SCREW 11/64-40 L=5				*		1	1.00
31		WP0450826SC		WASHER 4.5X10X0.8						2	
32	R	SK3412000SC	SK3412000SE	WOOD SCREW D=4.1 L=20						2	1.00

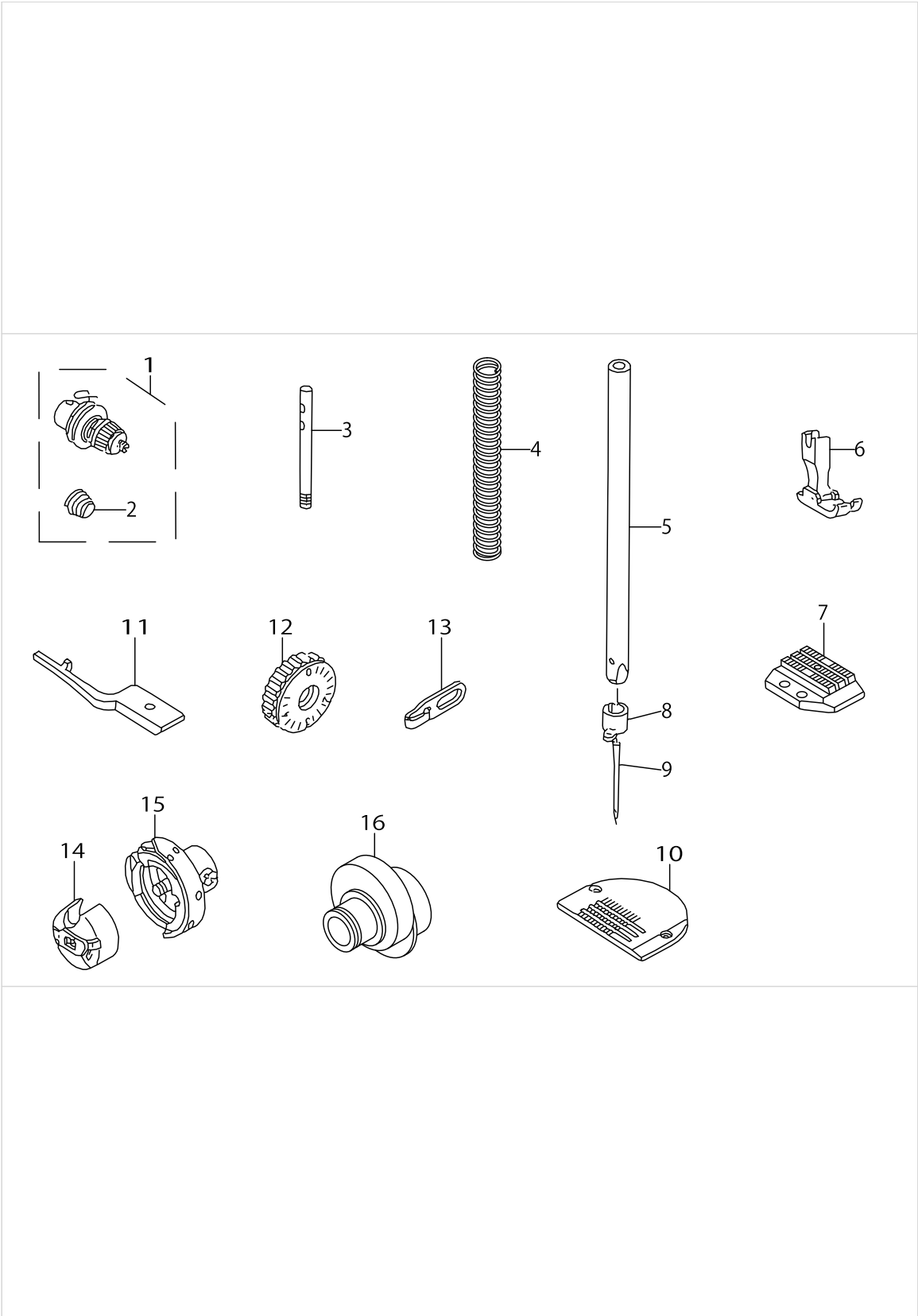
THREAD STAND COMPONENTS



THREAD STAND COMPONENTS

No.	Supply Code	Parts No.	Replacement	Parts name	Remarks	Choice	Step	Level	Cons	Qty	Rep. QTY
1	D	11181054		THREAD STAND ASM.						1	
2		B3307012000		THREAD GUIDE				*		2	
3	D	B3310012000		POSITION CUP SET SCREW				*		1	
4		WS0641560KR		SPRING WASHER 6.4X11.9X1.5				*		1	
5	D	B3309012000		POSITION CUP				*		1	
6	D	B3308012000		ROD WASHER				*		1	
7		B3306012000		SPOOL ROD				*		1	
8	D	NM6061061SE		NUT M6				*		1	
9		B3302012000		SPOOL REST ROD				*		1	
10		B3305012000		SPOOL PIN				*		2	
11	D	B3311012000		SPOOL REST CUSHION				*		2	
12	R	11181104	40096354	SPOOL REST				*		1	1.00
13		WP0560860SE		WASHER 5.6X12X0.8				*		2	
14		WS0531060KR		SPRING WASHER 5.3X8.3X1				*		2	
15		NS6123881SE		NUT 3/16-28				*		2	
16		SM9061080SE		SCREW M6 L=10				*		1	
17		NM6100663SE		NUT M10				*		2	
18	R	SK3452000SE	SK3452001SE	WOOD SCREW D=4.5 L=20				*		3	1.00
19	R	11181005	40096354	THREAD STAND				*		1	1.00
20		WS1002560KR		SPRING WASHER 10X18X2.5				*		1	
21	R	11181203	40096354	SPOOL REST BASE				*		1	1.00
22		WP1401669ST		WASHER 14X29X1.6				*		2	

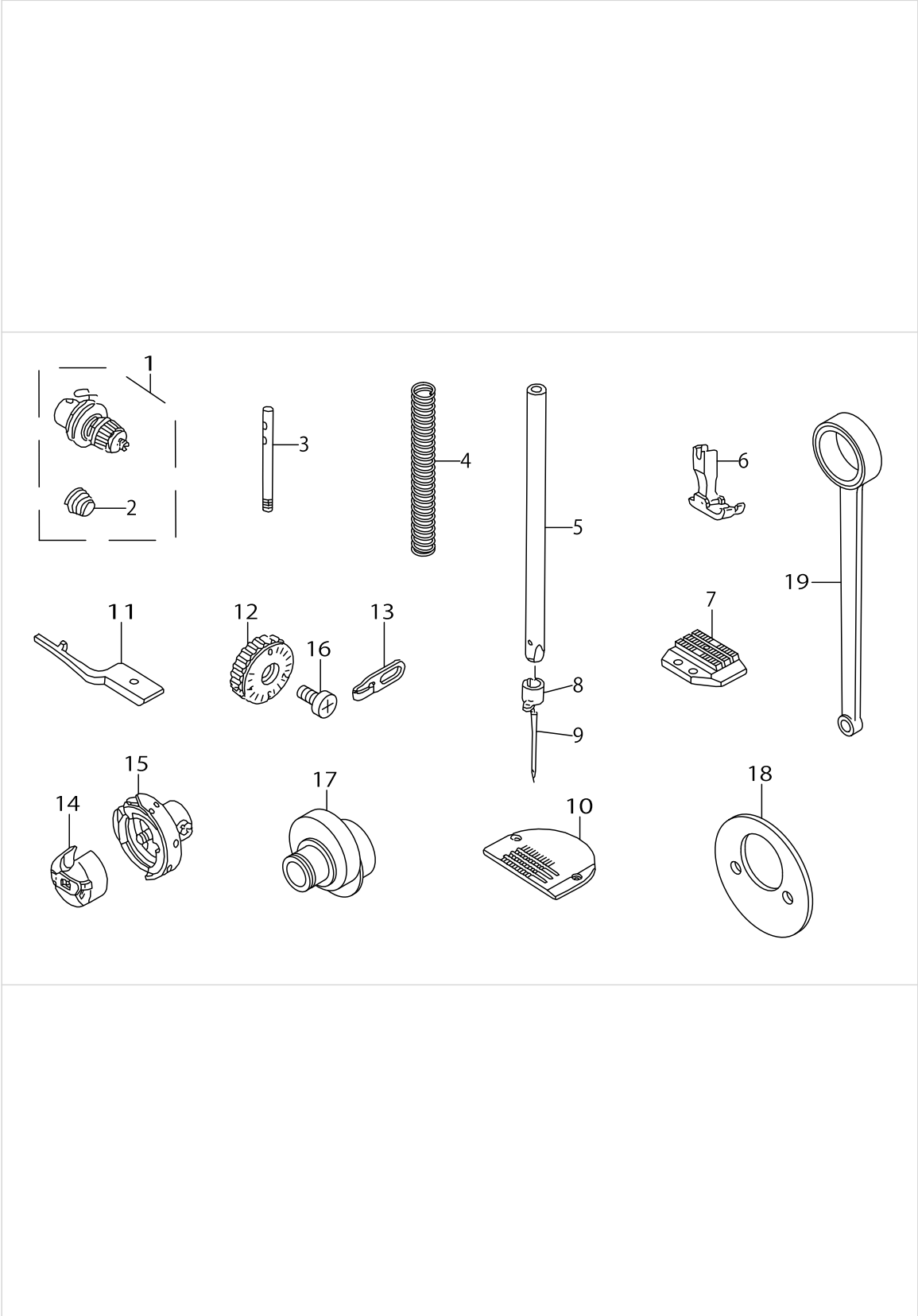
EXCLUSIVE PARTS FOR DLN-5410H



EXCLUSIVE PARTS FOR DLN-5410H

No.	Supply Code	Parts No.	Replacement	Parts name	Remarks	Choice	Step	Level	Cons	Qty	Rep. QTY
1		11092152		THREAD TENSION ASM						1	
2		B3114232000		THREAD TENSION SPRING				*		1	
3	R	B1114012000	22958300	THREAD GUIDE PIN						1	1.00
4		B1505552000A		PRESSER SPRING						1	
5		11320801		NEEDLE BAR						1	
6		B1524041EB0		PRESSER FOOT ASM.						1	
7		11322203		FEED DOG, H						1	
8		B1418415H00		NEEDLE BAR THREAD GUIDE						1	
9		MDB100B2200		NEEDLE DBX1 #22						1	
10		B1109415H0B		THROAT PLATE (H)						1	
11		11091709		POSITIONING FINGER						1	
12	D	11322500		FEED DIAL						1	
13		11091006		ARM THREAD GUIDE (HA)						1	
14		11038759		BOBBIN CASE ASM.						1	
15		11321452		LUBRICATING BOBBIN ASM.						1	
16	R	11322401	11322450	FEED ECCENTRIC CAM H						1	1.00

EXCLUSIVE PARTS FOR DLN-5410L



EXCLUSIVE PARTS FOR DLN-5410L

No.	Supply Code	Parts No.	Replacement	Parts name	Remarks	Choice	Step	Level	Cons	Qty	Rep. QTY
1		11092152		THREAD TENSION ASM						1	
2		B3114232000		THREAD TENSION SPRING				*		1	
3	R	B1114012000	22958300	THREAD GUIDE PIN						1	1.00
4		B150552000A		PRESSER SPRING						1	
5		11320801		NEEDLE BAR						1	
6		B1524415LB0		PRESSER FOOT ASM.						1	
7		11322203		FEED DOG, H						1	
8		B1418415H00		NEEDLE BAR THREAD GUIDE						1	
9		MDB100B2200		NEEDLE DBX1 #22						1	
10		B1109415H0B		THROAT PLATE (H)						1	
11		11091709		POSITIONING FINGER						1	
12		11326451		FEED DIAL ASM.						1	
13		11091006		ARM THREAD GUIDE (HA)						1	
14		D1837415DAL		BOBBIN CASE ASM.						1	
15		11321452		LUBRICATING BOBBIN ASM.						1	
16		SS6121050SP		SCREW 3/16-28 L=9.5						1	
17	D	11324001		FEED DRIVE ECCENTRIC CAM						1	
18		11324209		THRUST COLLAR						1	
19		11324100		ROCKER SHAFT CO- NNECTING ROD						1	

HOW TO MAKE USE OF THIS PARTS LIST

1.As to "#01" and "#02" refer to the "Note" given at the bottom of the respective pages.

2.Codes on the "Qty" column

- Each numeral indicates the number of parts required.
- "0.1" and "2.5" indicate the length (in meters) of the respective parts.

3.Parentheses mean that the corresponding part is a subpart that constructs an assembly part.

4.Dotted lines on the Figures indicate assembly parts.

1. リストページの# 0 1、# 0 2の印は、ページ下の"注記"の説明を参照下さい。
2. 数量欄の数字は、個数を表し、0. 1、2. 5等の数値は、長さ（単位メートル）を表します。
3. 数量欄の（ ）は、組部品を構成している子部品であることを意味します。
4. イラストページの-----枠は、組構成であることを意味します。

NUMERICAL INDEX OF PARTS

PART NO	PAGE	REF NO.	PART NO	PAGE	REF NO.	PART NO	PAGE	REF NO.
11000510	2	9	11018603	2	38	11077567	22	13
11000619	2	10	11018702	2	18	11077609	22	28
11000700	2	21	11018900	2	25	11078003	22	22
11001104	2	46	11018959	2	24	11078102	22	20
11001500	2	20	11020005	18	14	11078250	22	14
11001609	2	44	11020054	18	12	11091006	26	13
11001658	2	42	11020203	18	17	11091006	28	13
11002003	6	31	11020302	18	13	11091709	26	11
11002102	6	15	11020401	18	19	11091709	28	11
11002169	6	10	11020500	18	21	11092152	26	1
11002508	6	21	11020609	18	20	11092152	28	1
11002656	6	29	11020708	18	15	11181005	24	19
11002805	6	20	11020807	18	18	11181054	24	1
11002904	6	32	11020906	18	22	11181104	24	12
11004009	8	21	11021409	18	27	11181203	24	21
11004207	8	24	11021706	18	6	11202306	6	27
11004306	8	22	11023017	20	2	11205309	10	18
11005204	6	7	11023504	22	7	11205408	10	17
11006350	10	6	11023702	20	20	11210903	16	10
11006756	10	4	11023751	20	16	11211000	16	4
11006905	10	7	11023801	20	21	11214509	16	22
11007101	10	20	11024015	20	7	11221504	18	28
11008109	6	28	11024106	20	8	11222007	18	29
11008802	12	27	11024205	20	15	11300258	2	1
11009008	12	23	11024304	20	23	11300308	2	37
11009107	12	37	11024403	20	19	11300407	2	3
11009206	12	13	11024510	20	10	11300506	2	2
11009909	12	7	11024700	20	3	11300605	2	4
11010659	14	62	11025004	22	2	11300902	6	25
11010709	14	61	11025053	22	1	11301009	8	2
11010808	12	36	11025103	22	3	11301355	10	27
11010907	14	48	11025202	22	8	11301405	10	28
11011053	14	52	11025301	22	5	11301603	10	9
11011103	12	30	11025350	22	4	11301652	10	5
11011251	12	34	11025459	22	6	11301702	10	22
11011509	12	5	11038759	26	14	11301900	12	35
11014008	12	15	11038809	8	30	11302007	12	10
11014156	12	42	11039062	6	5	11302106	12	1
11014206	14	45	11039070	6	4	11302254	12	19
11014354	14	55	11047057	20	1	11302304	6	18
11015005	8	29	11047107	20	4	11302353	6	16
11015104	8	32	11052701	12	9	11302411	12	12
11015807	8	25	11053105	14	60	11302502	12	40
11017357	6	2	11072204	22	18	11302619	14	66
11018504	2	19	11077500	22	27	11302817	12	2

NUMERICAL INDEX OF PARTS

PART NO	PAGE	REF NO.	PART NO	PAGE	REF NO.	PART NO	PAGE	REF NO.
11302908	12	25	B13061550A0	8	14	B3132552000	2	28
11303005	12	24	B13061550B0	8	11	B31334150A0	4	48
11303161	12	26	B13061550C0	8	10	B3136415000	4	49
11303328	12	4	B13071550A0	8	17	B3148123000	2	15
11303567	16	25	B13071550B0	8	16	B3149123A00	2	16
11303807	16	19	B13081550A0	8	19	B3204555000	22	29
11303906	16	24	B1408552000	6	8	B3211555000	22	21
11304003	16	2	B14115520A0	8	4	B3302012000	24	9
11304102	16	28	B1412352B00	16	5	B3305012000	24	10
11304201	16	13	B1414226000	8	6	B3306012000	24	7
11304300	16	15	B1418415H00	26	8	B3307012000	24	2
11304409	16	1	B1418415H00	28	8	B3308012000	24	6
11305000	12	17	B1418552A00	8	8	B3309012000	24	5
11305513	4	47	B1501127000	10	31	B3310012000	24	3
11305653	10	13	B1502541000	10	32	B3311012000	24	11
11305703	10	37	B1505227000A	10	26	B3419122000	20	18
11305901	10	14	B1505552000A	26	4	B3431552000A	20	17
11306107	10	12	B1505552000A	28	4	B3514412000	18	9
11307006	18	32	B1509555000	10	23	B3530555000	18	1
11307154	18	4	B1510227000	10	25	B3536122000	18	5
11307352	18	11	B1511555000	10	24	B9117012000	8	39
11320801	26	5	B1520552000A	10	1	BT0600402EA	18	3
11320801	28	5	B1521555000	10	2	CQ252000000	18	33
11321452	26	15	B1524041EB0	26	6	CS064061ASP	10	35
11321452	28	15	B1524415LB0	28	6	CS079073ASH	8	34
11322203	26	7	B1636581C00	14	65	CS079101ASH	8	27
11322203	28	7	B18085520A0	8	36	CS120101BSH	16	8
11322401	26	16	B1810552000	8	37	CS147121ASH	6	23
11322500	26	12	B18304150A0	8	38	CS147121ASH	14	57
11324001	28	17	B18370120A0	8	3	D1524415BBA	10	34
11324100	28	19	B1903552000	6	9	D1609415B00	12	31
11324209	28	18	B1905541B00	6	6	D1837415DAL	28	14
11326451	28	12	B1909505000	6	3	MDB100B1400	8	9
11385127	12	6	B2616372000	18	10	MDB100B2200	26	9
11392107	18	26	B2906415000	16	6	MDB100B2200	28	9
B1109415H0B	26	10	B3111552B00	2	32	NM6060001SE	20	12
B1109415H0B	28	10	B3114232000	26	2	NM6061061SE	24	8
B1110012000	2	43	B3114232000	28	2	NM6100663SE	24	17
B1113155000	2	14	B3115552000	2	30	NS6090310SP	4	53
B11131550A0	2	13	B3120125000	2	26	NS6123881SE	24	15
B1114012000	26	3	B3126012000	2	29	NS6150310SP	16	14
B1114012000	28	3	B3126012000	22	16	NS6150430SP	16	17
B1148555000	12	8	B3128012000	2	31	NS6680410SP	12	39
B12135520A0A	6	33	B3129012A00	2	27	RC0150001KP	12	51
B13050120A0	8	12	B3129012B00	22	17	RC0150001KP	14	51

NUMERICAL INDEX OF PARTS

PART NO	PAGE	REF NO.	PART NO	PAGE	REF NO.	PART NO	PAGE	REF NO.
RC1850001KP	6	22	SS6090650SP	6	19	SS8661040TP	14	63
RE0300000K0	10	29	SS6090660TP	16	7	SS8681130SP	12	41
RE0500000K0	10	11	SS6090670TP	8	5	SS8681650TP	6	11
RE0500000K0	12	21	SS6090810SP	16	23	SS9661120CP	14	49
RE1000000K0	20	9	SS6110420TP	8	28	TA0850604R0	2	50
RO029180100	6	34	SS6110610TP	2	39	TA0850604R0	4	50
RO037180100	10	3	SS6110640SP	16	27	TA1250406R0	2	40
RO044240100	6	13	SS6111010SP	8	31	TA1250504R0	2	51
RO078190100	14	59	SS6111010TP	18	24	TA1250504R0	4	51
RO092270200	12	16	SS6120930TP	12	11	TA1250705R0	2	7
RO098240100	20	6	SS6121050SP	28	16	TA1250804R0	8	1
RO195240100	18	2	SS6121220TP	16	29	TA2000502R0	2	11
SB309000400	16	18	SS6121250TP	12	20	TA2101002R0	2	52
SD0380552SL	2	17	SS6121610SP	16	20	TA2101002R0	4	52
SD0490261SP	22	23	SS6151220SP	12	22	WP0450826SC	22	31
SD0600322SD	10	16	SS6661110SP	6	17	WP0480856SP	14	54
SD0640261SP	10	21	SS6700710SH	20	5	WP0480856SP	22	26
SD0720331SP	10	19	SS7080510TP	8	7	WP0501016SD	22	10
SD0790501SP	16	12	SS7081310SP	22	24	WP0560860SE	24	13
SD1000801SH	14	44	SS7090620TP	10	36	WP0621016SD	16	16
SE4301041SR	18	16	SS7091110SP	10	33	WP0650876SD	10	8
SK3412000SC	22	32	SS7110740TP	14	50	WP0651001SB	22	25
SK3452000SE	24	18	SS7110840SP	22	15	WP0702026SP	14	69
SL4030851SF	18	23	SS7111120SP	14	56	WP1401669ST	24	22
SM8063012TR	20	13	SS7121410TP	14	53	WS0531060KR	24	14
SM9061080SE	24	16	SS7121610SP	12	43	WS0641560KR	24	4
SM9061203SE	20	22	SS7620750SP	14	68	WS1002560KR	24	20
SM9061853SR	20	14	SS7681650TP	6	14	WZ1250300K0	14	67
SM9062053SR	20	11	SS8090670SP	2	33			
SQ1150501SD	18	31	SS8110310SP	16	26			
SS1120710SP	2	5	SS8110410TP	8	35			
SS2110920TP	2	35	SS8110510SP	22	30			
SS4080620TP	12	32	SS8120740SP	16	21			
SS4110515SP	22	19	SS8150432TH	8	33			
SS4120615SP	2	23	SS8150710SP	2	34			
SS4120615SP	18	8	SS8150710SP	12	28			
SS4120915SP	2	8	SS8150912TH	6	26			
SS4120915SP	8	26	SS8151150SP	6	1			
SS4121015SP	2	41	SS8151550SP	6	30			
SS4121415SP	22	9	SS8660410SP	16	9			
SS4150915SP	18	25	SS8660610TP	6	24			
SS6060210SP	2	45	SS8660610TP	10	30			
SS6080340SP	18	30	SS8660610TP	14	58			
SS6090560TP	12	3	SS8660810TP	8	20			
SS6090620SP	12	38	SS8661030SP	14	64			