

MODEL : DDL-5600NL-7/DDL-5600NU-7/DDL-5600NJ-7/DDL-5600NR-7  
List No : 0880-08

# PARTS LIST

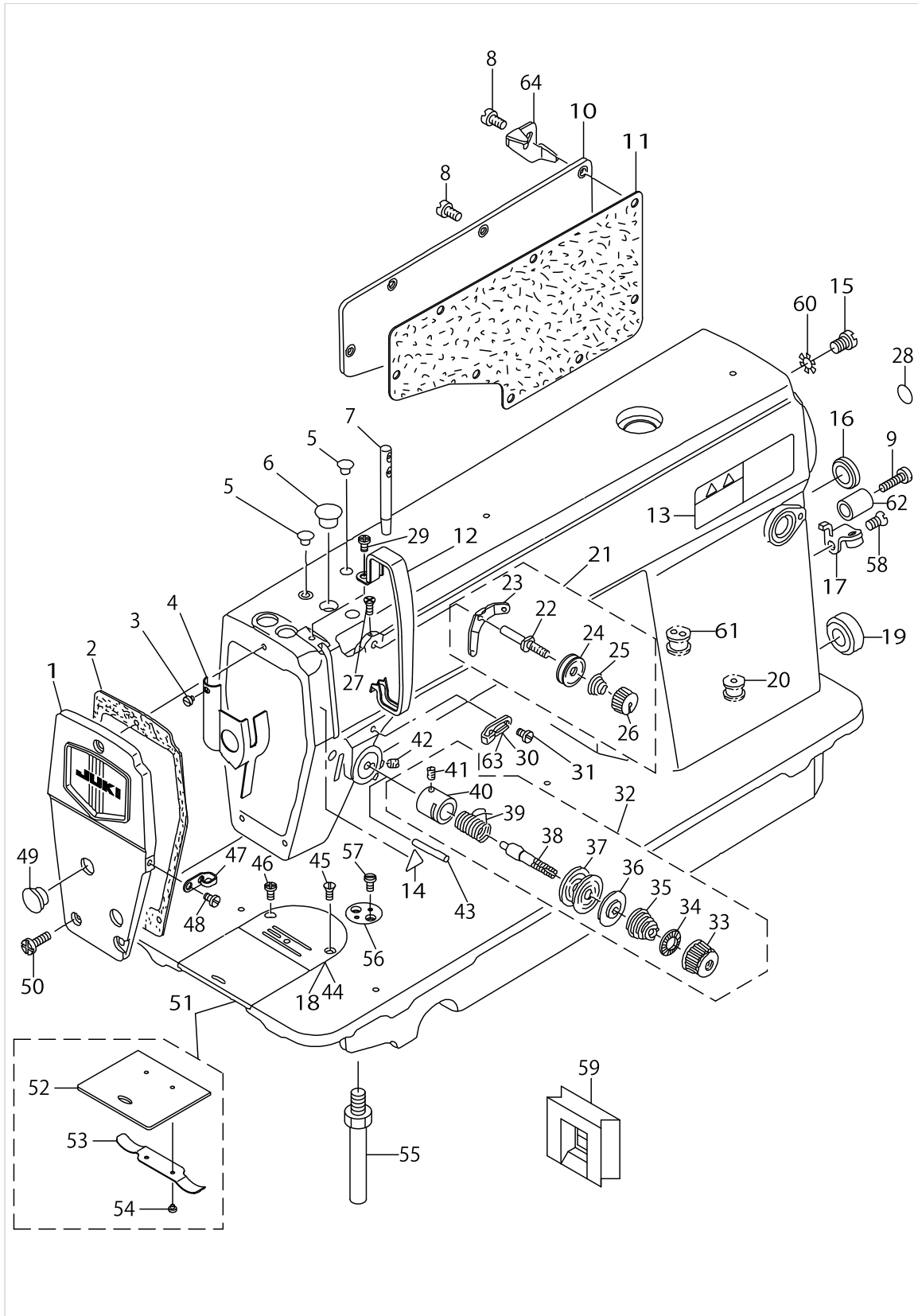
Published:05/12/2017

## CONTENTS

---

MACHINE FRAME & MISCELLANEOUS COVER COMPONENTS .....	1
MAIN SHAFT & THREAD TAKE-UP LEVER COMPONENTS .....	5
NEEDLE BAR, UPRIGHT SHAFT & HOOK DRIVING SHAFT COMPONENTS .....	9
HAND LIFTER COMPONENTS .....	11
FEED MECHANISM COMPONENTS.....	15
THREAD TRIMMER MECHANISM COMPONENTS.....	19
AUTOMATIC REVERSE FEED COMPONENTS.....	23
OIL LUBRICATION COMPONENTS .....	25
OIL RESERVOIR COMPONENTS .....	27
BELT COVER & BOBBIN WINDER COMPONENTS .....	29
THREAD STAND COMPONENTS.....	31
EXCLUSIVE PARTS FOR DDL-5600NJ-7 .....	33
WIPER COMPONENTS (FOR DDL-5600NJ-7-FB).....	35
EXCLUSIVE PARTS FOR DDL-5600NR-7.....	37
LIST FOR INFORMATION OF CHANGE (1).....	39
LIST FOR INFORMATION OF CHANGE (2).....	40
HOW TO MAKE USE OF THIS PARTS LIST .....	41

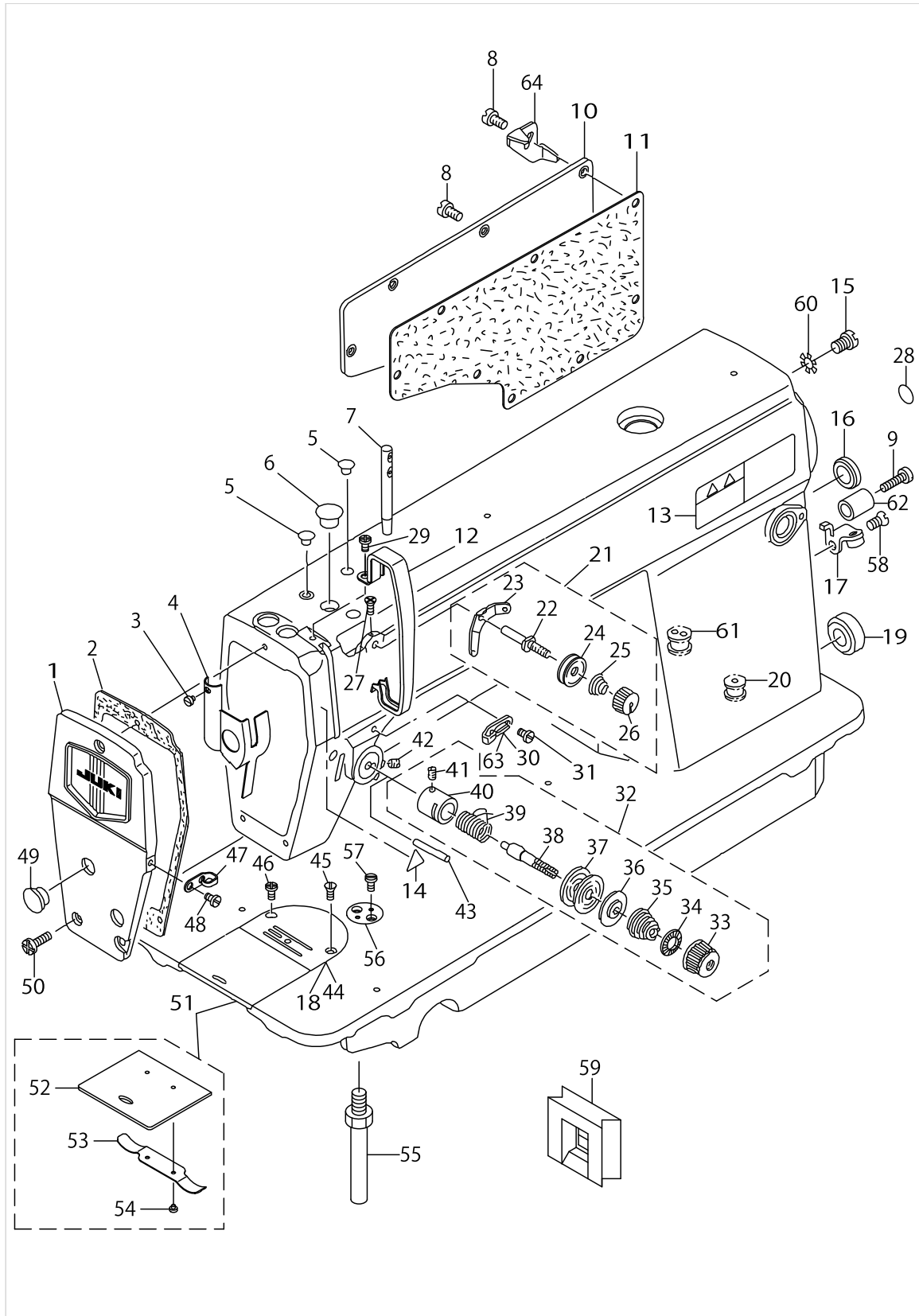
MACHINE FRAME & MISCELLANEOUS COVER COMPONENTS



MACHINE FRAME & MISCELLANEOUS COVER COMPONENTS

No.	Supply Code	Parts No.	Replacement	Parts name	Remarks	Choice	Step	Level	Cons	Qty	Rep. QTY
1		11070851		FACE PLATE ASM.						1	
2		11000304		FACE PLATE GASKET						1	
3		SS6080320SP		SCREW 1/8-44 L=2.5						1	
4		40021790		FACE PLATE OIL SHIELD ASM.						1	
5		TA0850604R0		RUBBER PLUG						2	
6		TA1250705R0		RUBBER PLUG						1	
7		22958300		NEEDLE THREAD GUIDE PIN						1	
8		SS4120915SP		SCREW 3/16-28 L=9						8	
9		SS6121840SP		SCREW 3/16-28 L=18	FOR DDL-- 5600NU-7-0B					1	
10		22900401		WINDOW PLATE						1	
11		11003308		SIDE PLATE GASKET						1	
12		11415205		THREAD TAKE-UP LEVER COVER(JE)						1	
13		CM301300001		SAFETY LABEL						1	
14		CM300200001		ATTENTION SEAL						1	
15		SS4120615SP		SCREW 3/16-28 L=6						1	
16		TA2000502R0		RUBBER PLUG						1	
17		11095254		LEVER STOPPER ASM.	FOR DDL-- 5600NL-7-- 0B, DDL-5- 600NU-7-0B					1	
18		D1109560E0B		THROAT PLATE	FOR DDL-- 5600NU-7-0B					1	
19		TA2101002R0		RUBBER PLUG						1	
20		11030202		RUBBER BUSHING						1	
21		22963458		THREAD TENSION ASM.						1	
22		22945414		THREAD TENSION POST				*		1	
23	R	22945604	22963458	THREAD TENSION GUIDE		A		DDL8700H- -7/8700J-- 7/9000B, DLN6390-7	*	1	1.00
23	R	22945604	22945463	THREAD TENSION GUIDE		B		DDL8700-7 and so on	*	1	1.00
24		22945802		THREAD TENSION DISK				*		2	
25	R	22963409	22963458	THREAD TENSION SPRING				*		1	1.00
26		22945703		THREAD TENSION NUT				*		1	
27		SS4120615SP		SCREW 3/16-28 L=6						1	
28		22901805		GROUND MARK						1	
29		SS4120615SP		SCREW 3/16-28 L=6						1	
30		11091006		ARM THREAD GUIDE (HA)						1	
31		22921001		SCREW						1	
32		22962054		THREAD TENSION ASM.						1	
33		22921308		THREAD TENSION NUT				*		1	
34		22921407		ROTATION STOPPER				*		1	
35	R	22962005	B3114232000	THREAD TENSION SPRING				*		1	1.00
36		22921803		DISK STOPPER				*		1	
37		22921506		THREAD TENSION DISK				*		2	
38		22921209		THREAD TENSION POST				*		1	
39		22921605		THREAD TAKE-UP SPRING				*		1	
40		22945307		THREAD TENSION POST BASE				*		1	
41		SS8090670SP		SCREW 9/64-40 L=5.5				*		1	

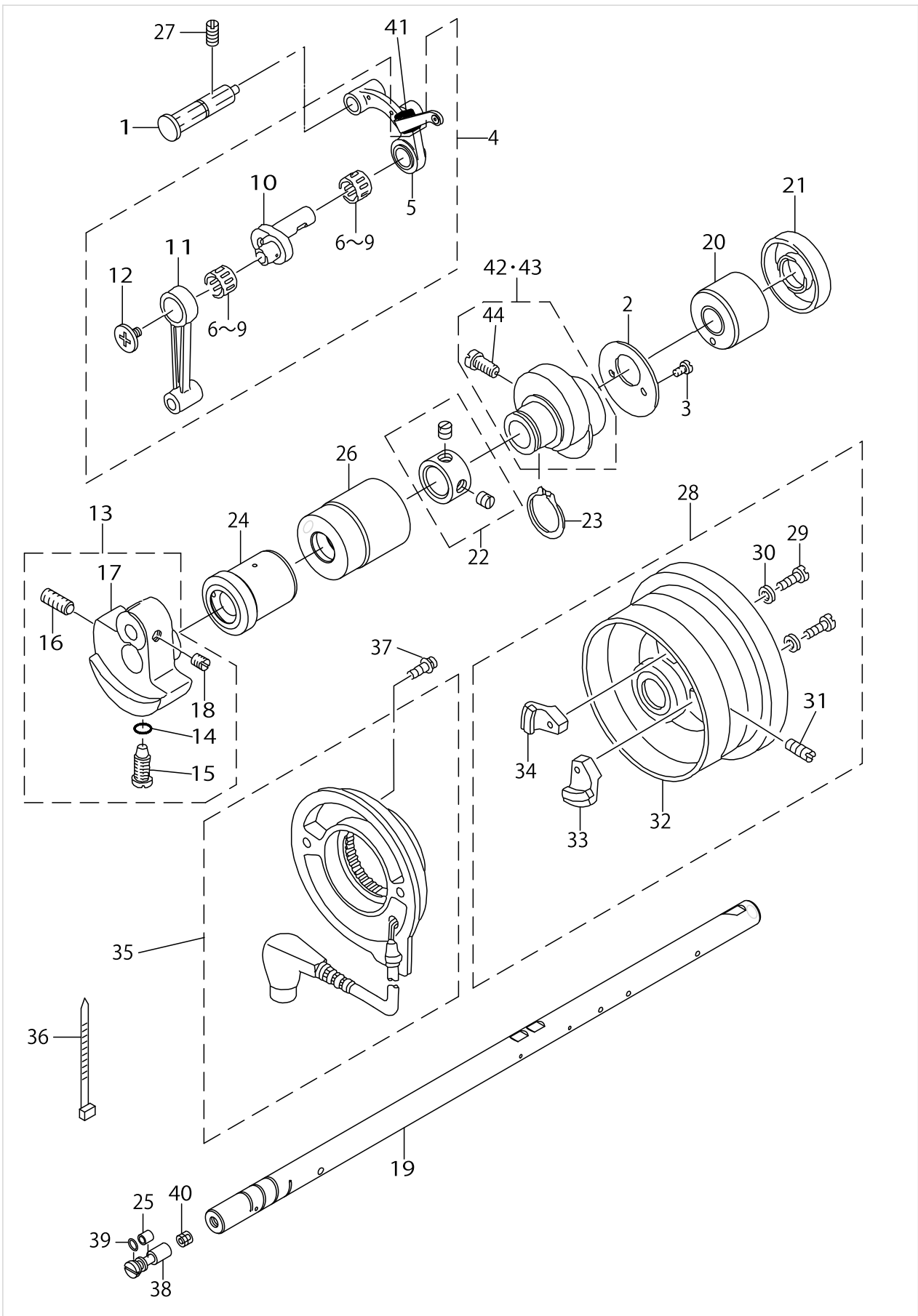
MACHINE FRAME & MISCELLANEOUS COVER COMPONENTS



MACHINE FRAME & MISCELLANEOUS COVER COMPONENTS

No.	Supply Code	Parts No.	Replacement	Parts name	Remarks	Choice	Step	Level	Cons	Qty	Rep. QTY
42	R	SS8150710SP	SS8150710TP	SCREW 15/64-28 L=7						1	1.00
43		22920904		PIN						1	
44		D1109555E0L		THROAT PLATE						1	
45		SS2110920TP		SCREW 11/64-40 L=8.5						1	
46		SS2110915SP		SCREW 11/64-40 L=8.5						1	
47		22920607		ARMTHREADGUIDEB						1	
48		SS6110610TP		SCREW 11/64-40 L=6						1	
49		TA1250406R0		RUBBER PLUG D=12.5 L=4						2	
50		SS4120915SP		SCREW 3/16-28 L=9						3	
51		22901250		SLIDE PLATE ASM.						1	
52	R	22901201	22901250	SLIDE PLATE				*		1	1.00
53		22901300		SLIDE PLATE SPRING				*		1	
54		SS6060210SP		SCREW 3/32-56 L=1.9				*		2	
55		22901003		BED SCREW STUD						4	
56		22902605		RULER STOP SEAT						1	
57		SS7110540SP		SCREW 11/64-40 L=5						2	
58		SS1120710SP		SCREW 3/16-28 L=6.7	FOR DDL-- 5600NL-7-- 0B, DDL-5-- 600NU-7-0B					1	
59		22935407		BED OIL SHIELD RUBBER						1	
60		WT0530002KS		TOOTHED WASHER D=5.3						1	
61		40111022		MAGNET CORD RUBBER	FOR DDL-- 5600NL-7-- 0B, DDL-5-- 600NU-7-0B					1	
62	R	11100500	22952501	REVERSE FEED LEVER STOPPER	FOR DDL-- 5600NU-7-0B					1	1.00
63		D1126560E00A		ARMTHREADGUIDEA	FOR DDL-- 5600NU-7-0B					1	
64	R	11102605	22954705	CORD HOLDER						1	1.00

# MAIN SHAFT & THREAD TAKE-UP LEVER COMPONENTS

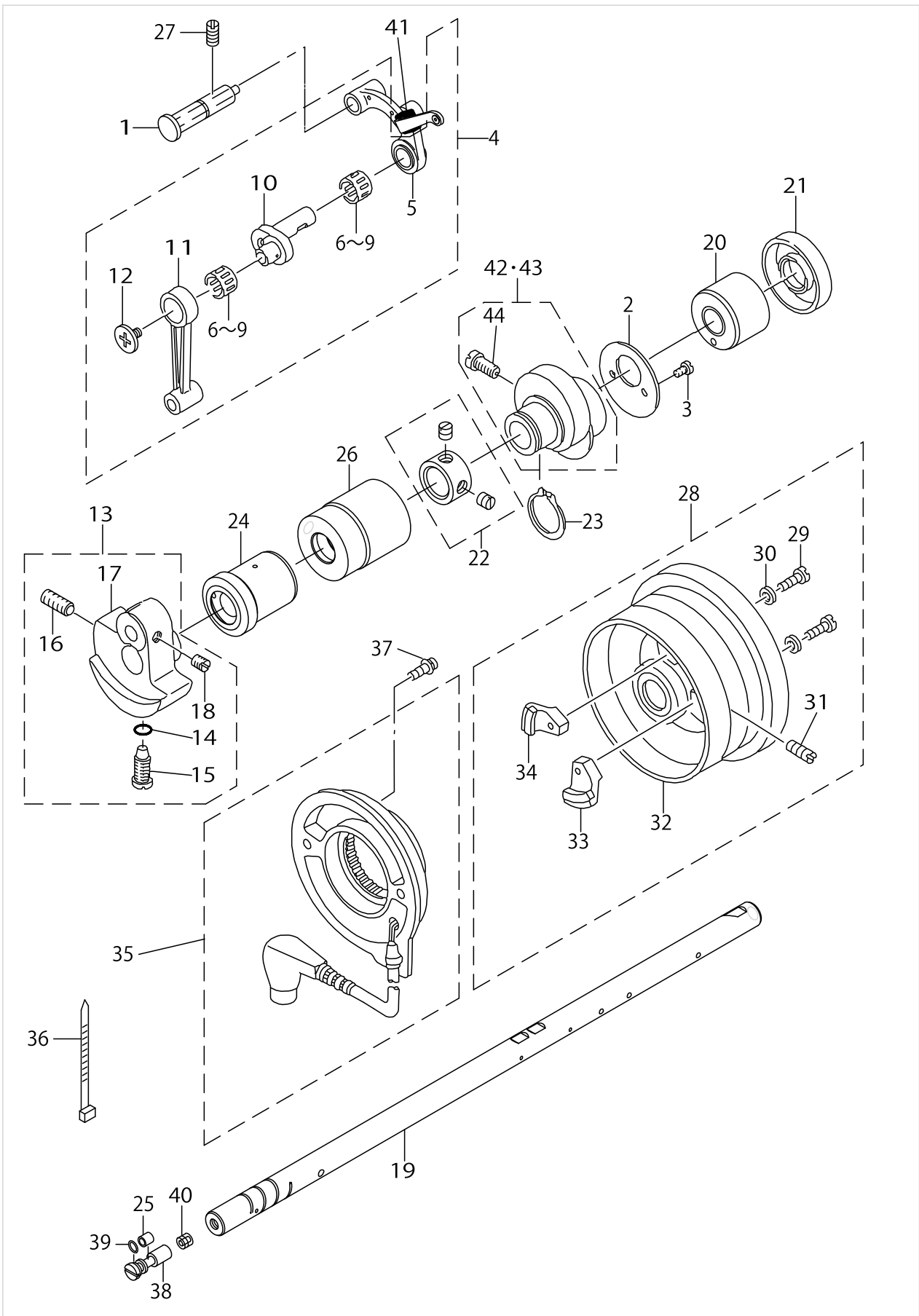


MAIN SHAFT & THREAD TAKE-UP LEVER COMPONENTS

No.	Supply Code	Parts No.	Replacement	Parts name	Remarks	Choice	Step	Level	Cons	Qty	Rep. QTY
1		11017357		THREAD TAKE-UP CRANK SHAFT ASM.						1	
2		11402401		THRUST COLLAR						1	
3	R	SS6090650SP	SS6090670TP	SCREW 9/64-40 L=6						2	1.00
4		11403979		THREAD TAKE-UP LEVER ASM.						1	
5	R	11403961	11403979	THREAD TAKE-UP LEVER ASM.				*		1	1.00
6		22918403		NEEDLE BEARING A	SELECTIVE PART(A~D)			*		2	
7		22918502		NEEDLE BEARING B	SELECTIVE PART(A~D)			*		2	
8		22918601		NEEDLE BEARING C	SELECTIVE PART(A~D)			*		2	
9		22918700		NEEDLE BEARING D	SELECTIVE PART(A~D)			*		2	
10		40109126		NEEDLE_BAR_CRANK_H				*		1	
11		22906606		NEEDLE_BAR_CRANK_ROD				*		1	
12	R	22918304	B1903552000	LEFT SCREW				*		1	1.00
13		40057179		COUNTER WEIGHT ASM.						1	
14		RO044240100		RUBBER RING				*		1	
15		SS7681650TP		SCREW 9/32-28 L=16				*		1	
16		SS8681650TP		SCREW 9/32-28 L=16				*		1	
17		40057178		COUNTER WEIGHT				*		1	
18		SS8660610TP		SCREW 1/4-40 L=6				*		2	
19		22903009		MAIN SHAFT						1	
20		11002409		MAIN SHAFT BUSHING REAR						1	
21		40105231		OIL SEAL						1	
22		22904155		MAIN SHAFT THRU-ST COLLAR ASM.						1	
23		RC1850001KP		SNAP RING 18.5						1	
24		22903207		MAIN SHAFT BUSHING FRONT						1	
25		B1215552000		OIL ADJUSTING COLLAR						1	
26		22903306		BUSHING INTERMEDIATE						1	
27	R	SS8151150SP	SS8151150TP	SCREW 15/64-28 L=10.5						1	1.00
28		11071495		HAND WHEEL ASM.						1	
29		SS6111210SP		SCREW 11/64-40 L=12				*		2	
30		WP0450801SD		WASHER 4.5X10X0.8				*		2	
31		SS8151550SP		SCREW 15/64-28 L=15				*		2	
32	R	11071453	11071495	HAND WHEEL ASM.				*		1	1.00
33		M40071100AA		MAGNET FITTING BASE A ASM.				*		1	
34		M40071100AB		MAGNET FITTING BASE B ASM.				*		1	
35		22937965		DYNAMO STATOR						1	
36		HX000430000		CLIP						1	
37		SL4051001MZ		SCREW M5 L=9.6						2	
38		B1213552000A		OIL ADJUSTING PIN	EXCEPT D-DL-5600N-J-7-0B,-FB					1	
39		RO029180100		RUBBER RING						1	
40		11002904		ROLLER FELT						1	
41		22919203		OIL PROTECTING RUBBER						1	
42		22970552		FEED ECCENTRIC CAM ASM.						1	
43		11403151		FEED CAM ASM. U	FOR DDL--5600NU-7-0B					1	



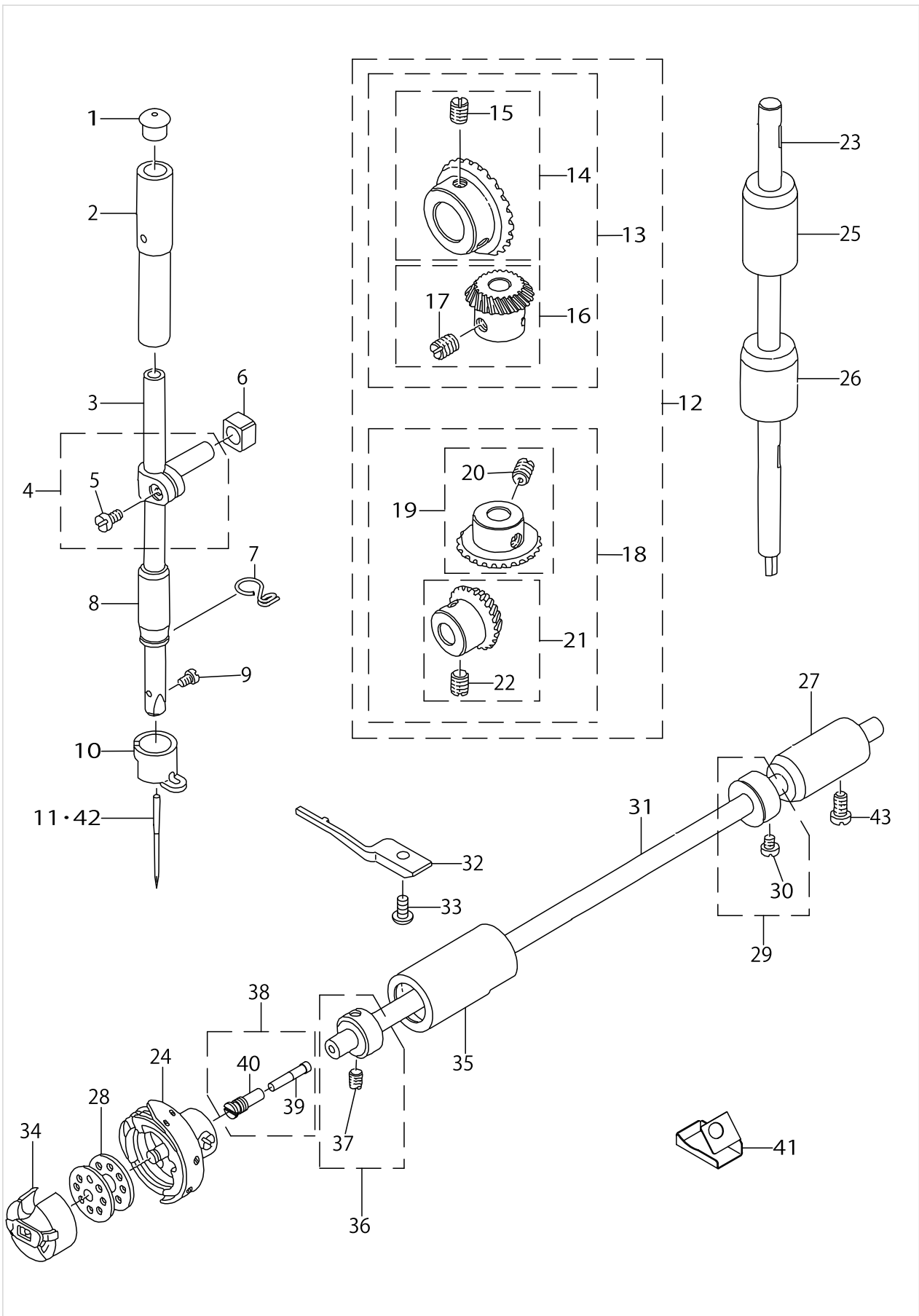
MAIN SHAFT & THREAD TAKE-UP LEVER COMPONENTS



MAIN SHAFT & THREAD TAKE-UP LEVER COMPONENTS

No.	Supply Code	Parts No.	Replacement	Parts name	Remarks	Choice	Step	Level	Cons	Qty	Rep. QTY
44		SS6661110SP		SCREW 1/4-40 L=11				*		2	

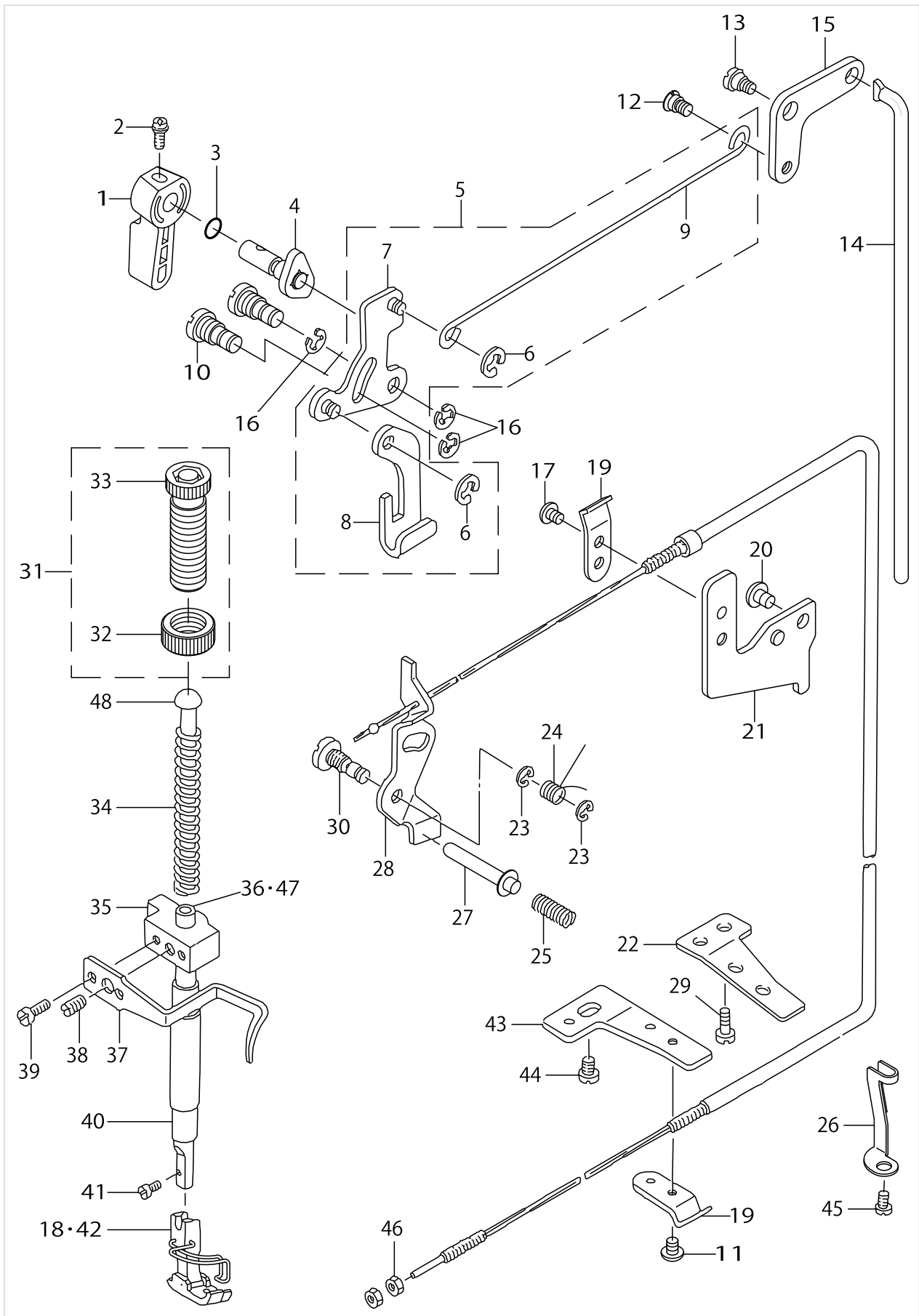
NEEDLE BAR, UPRIGHT SHAFT & HOOK DRIVING SHAFT COMPONENTS



NEEDLE BAR, UPRIGHT SHAFT & HOOK DRIVING SHAFT COMPONENTS

No.	Supply Code	Parts No.	Replacement	Parts name	Remarks	Choice	Step	Level	Cons	Qty	Rep. QTY
1		22901409		NEEDLE BAR UPPER BUSH CAP						1	
2		22906101		NEEDLE BAR BUSHING UPPER						1	
3		11401809		NEEDLE BAR						1	
4		22906457		NEEDLE BAR HOLDER ASM.						1	
5		SS6090670TP		SCREW 9/64-40 L=6				*		1	
6		40090058		SLIDE BLOCK						1	
7		40023223		NEEDLE BAR THREAD GUIDE						1	
8	R	11005105	22906200	NEEDLE BAR BUSHING LOWER						1	1.00
9		SS7080510TP		SCREW 1/8-44 L=4.5						1	
10		40024124		NEEDLE BAR THREAD GUIDE						1	
11		MDB100B2100		NEEDLE DBX1 #21						1	
12	R	B13061550C0	B13071550C0	GEAR & PINION ASM.						1	1.00
13		B13061550B0		GEAR & PINION ASM. UPPER				*		1	
14		B13050120A0		GEAR ASM.				*		1	
15		SS8660810TP		SCREW 1/4-40 L=8				*		2	
16		B13061550A0		PINION ASM.				*		1	
17		SS8660810TP		SCREW 1/4-40 L=8				*		2	
18		B13071550B0		GEAR & PINION ASM. LOWER				*		1	
19		B13071550A0		GEAR ASM. LARGE				*		1	
20		SS8660810TP		SCREW 1/4-40 L=8				*		2	
21		B13081550A0		PINION ASM.				*		1	
22		SS8660810TP		SCREW 1/4-40 L=8				*		2	
23	D	11401403		UPRIGHT SHAFT						1	
24		D1830560EA0		HOOK ASM.						1	
25		22905103		UPRIGHT SHAFT BUSHING UPPER						1	
26		11004207		UPRIGHT SHAFT BUSHING LOWER						1	
27		22916308		HOOK DRIVING SH- AFT BUSH REAR						1	
28		40021610		BOBBIN						1	
29		22917157		THRUST COLLAR ASM. REAR						1	
30		SS6110420TP		SCREW 11/64-40 L=4.8				*		2	
31		11403300		HOOK DRIVING SHAFT						1	
32		40102871		POSITIONING FINGER						1	
33		SS4110915TP		SCREW 11/64-40 L=9						1	
34		B1837201SA0		BOBBIN CASE ASM.						1	
35		40021613		HOOK DRIVING SH- AFT BUSH FRONT						1	
36		22917058		THRUST COLLAR ASM. FRONT						1	
37		SS8110410TP		SCREW 11/64-40 L=3.5				*		2	
38		11404753		OIL SEAL SCREW						1	
39		11404704		OIL WICK				*		1	
40	R	11403607	22916506	SCREW				*		1	1.00
41		22942601		OIL SHIELD						1	
42		MC200501300		NEEDLE 134 NM130	FOR JE					1	
43		SS4120915SP		SCREW 3/16-28 L=9						1	

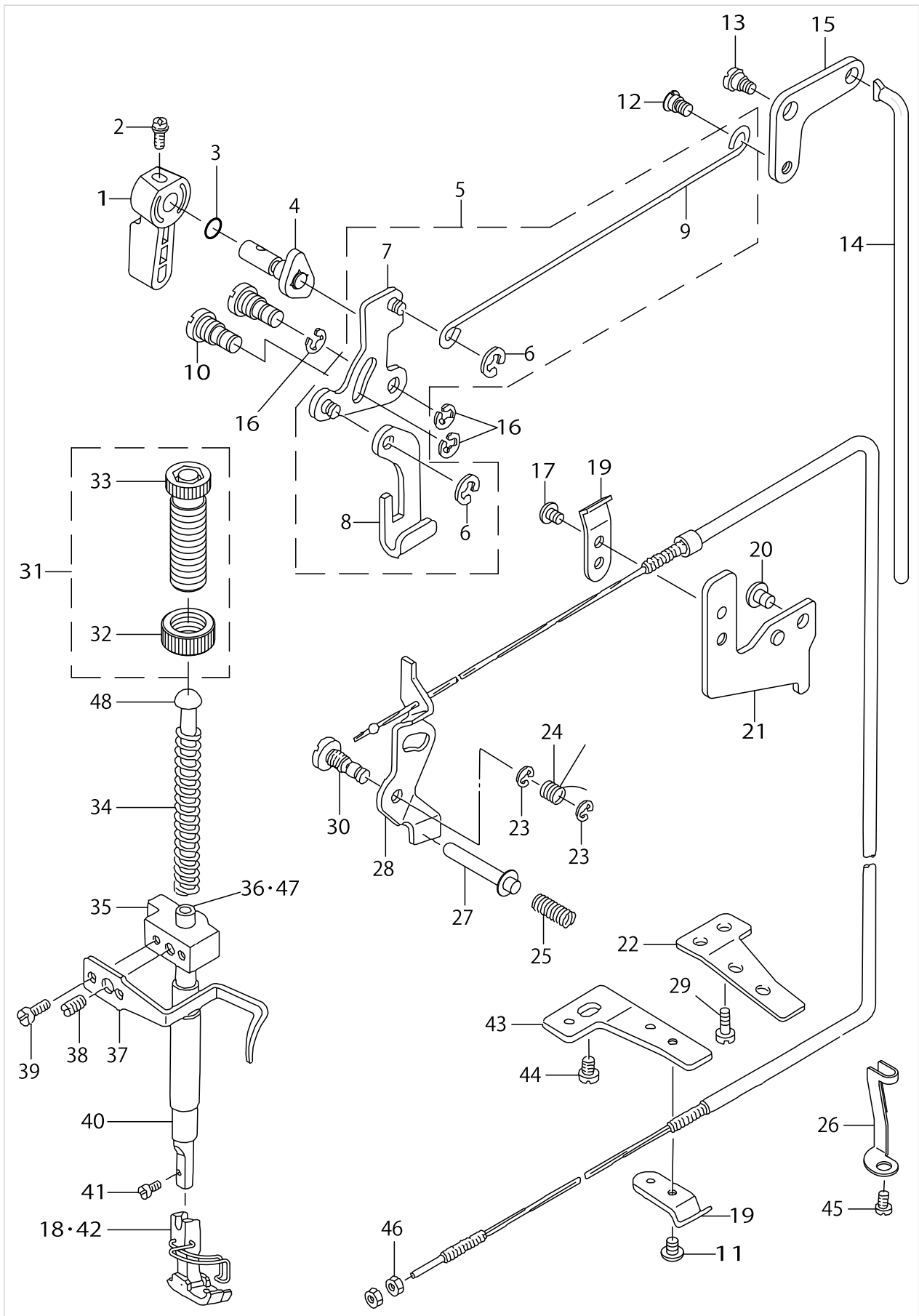
HAND LIFTER COMPONENTS



HAND LIFTER COMPONENTS

No.	Supply Code	Parts No.	Replacement	Parts name	Remarks	Choice	Step	Level	Cons	Qty	Rep. QTY
1		22907802		HAND LIFTER						1	
2		B1521555000		SCREW						1	
3		RO037180100		RUBBER RING						1	
4		22908552		HAND LIFTER CAM ASM.						1	
5		22908354		KNEE LIFTING CROSS ROD ASM.						1	
6		RE0500000K0		E-RING				*		2	
7	R	22908156	22908354	LIFTING LINK ASM.				*		1	1.00
8	R	22908008	22908354	LIFTING PLATE		A	DDL-5550 5550N 555- ON-7 5556- N-7 5600NL-7	*		1	1.00
8	R	22908008	23609357	LIFTING PLATE		B	DDL-9000A 9000B	*		1	1.00
8	R	22908008	40057398	LIFTING PLATE		C	LH-3500	*		1	1.00
8	R	22908008	40174387	LIFTING PLATE		D	DDL-9000C	*		1	1.00
9		22908305		KNEE LIFTER SIDE ROD				*		1	
10		22908701		LINK SHAFT						2	
11		SS4110515SP		SCREW 11/64-40 L=5						1	
12		22908909		HINGE SCREW						1	
13		SD0720331SP		HINGE SCREW D=7.24 H=3.3						1	
14		22909006		KNEE LIFTER CONNECTING ROD						1	
15		22908800		KNEE LIFTER LINK						1	
16		RE0500000K0		E-RING						3	
17		SS4110515SP		SCREW 11/64-40 L=5						1	
18	R	D1524555EBL	D1524555ECL	PRESSER FOOT ASM.						2	1.00
19		22944508		WIRE PRESSER A						2	
20		SS4120615SP		SCREW 3/16-28 L=6						1	
21		22944607		WIRE PRESSER BASE UPPER						1	
22		22962807		WIRE PRESSER PLATE B	FOR DDL-- 5600NL-7-- 0B, DDL-5- 600NU-7-0B					1	
23		RE0500000K0		E-RING						2	
24		22920201		RETURN SPRING						1	
25		22920409		THREAD RELEASE PIN SPRING						1	
26		11306206		WIRE CABLE HOLDER						1	
27		22920300		THREAD RELEASE SUPPORTING PIN						1	
28		22944854		THREAD RELEASE WIRE ASM.						1	
29		SS7110740TP		SCREW 11/64-40 L=7	FOR DDL-- 5600NL-7-- 0B, DDL-5- 600NU-7-0B					1	
30		22920102		TENSION RELEASE SHAFT						1	
31		22907554		PRESSER SPRING REG NUT ASM.						1	
32	R	22907604	22907554	PRESSER SPRING REGULATOR NUT				*		1	1.00
33	R	22907505	22907554	PRESSER SPRING REGULATOR				*		1	1.00
34		11401502		BUTTON CLAMP P- RESSURE SPRING						1	
35		22907208		PRESSER BAR GUIDE BRACKET						1	
36		40017805		PRESSER BAR	EXCEPT D- DL-5600N- J-7-FB, D- DL-5600NR-7-0B					1	

HAND LIFTER COMPONENTS

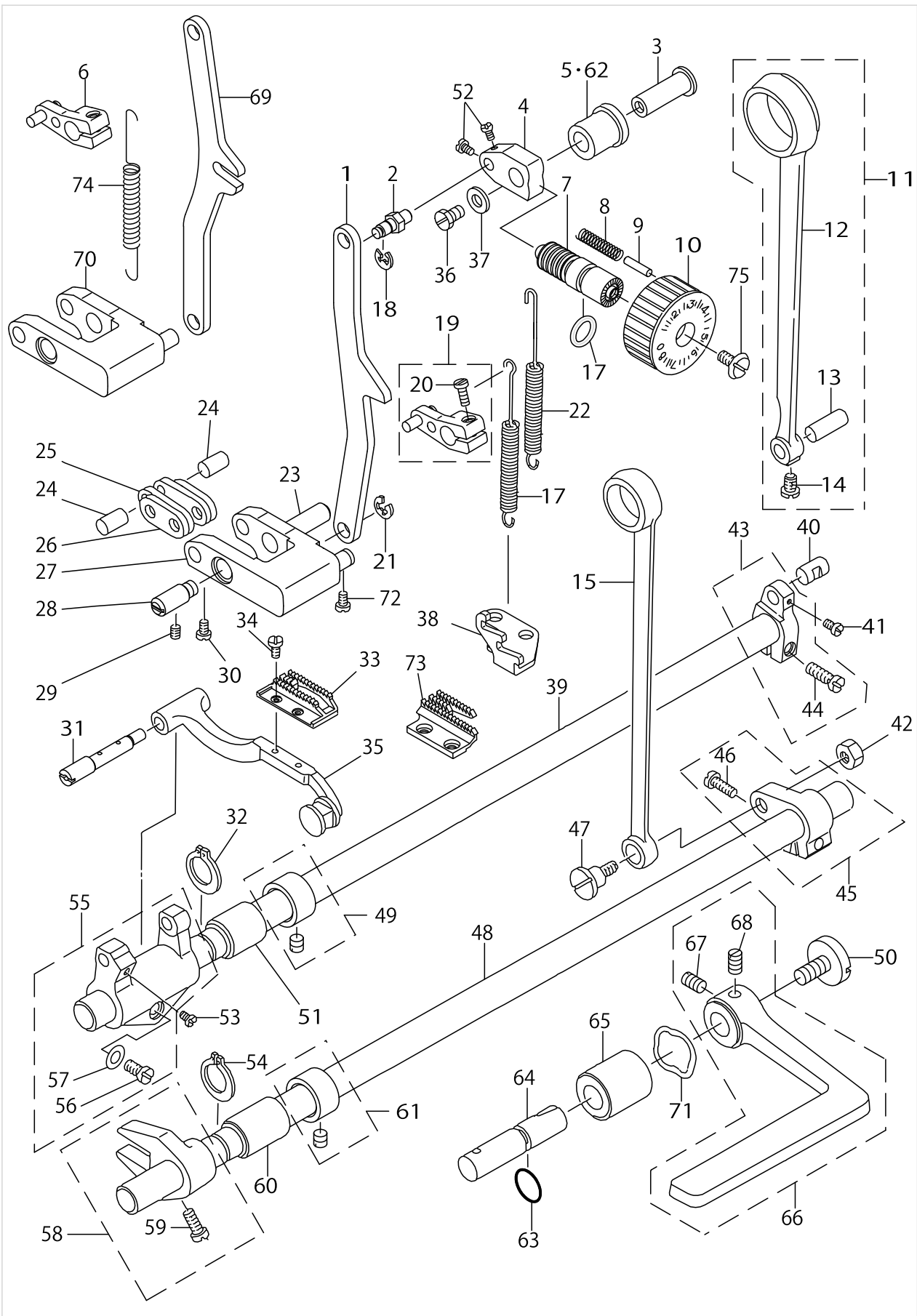


HAND LIFTER COMPONENTS

No.	Supply Code	Parts No.	Replacement	Parts name	Remarks	Choice	Step	Level	Cons	Qty	Rep. QTY
37		22907307		THREAD GUIDE	EXCEPT D-DL-5600N-J-7-0B,-FB					1	
38		SS8660810TP		SCREW 1/4-40 L=8						1	
39		SS6090910SP		SCREW 9/64-40 L=9						2	
40		40060989		PRESSER BAR BUSHING LOWER						1	
41	R	SS7091110SP	SS7091110TP	SCREW 9/64-40 L=10.5						1	1.00
42		D1524560EBB		PRESSER FOOT ASM.	FOR DDL--5600NU-7-0B					1	
43	R	11045705	22944706	WIRE HOLDER BRACKET (LOWER)						1	1.00
44		SS4150915SP		SCREW 15/64-28 L=9						1	
45		SS4120615SP		SCREW 3/16-28 L=6						1	
46		NS6620310SP		NUT 3/16-32						2	
47		MAV02128000		PRESSER BAR	FOR DDL--5600NJ-7-FB					1	
48		22907703		PRESSER GUIDE BAR						1	



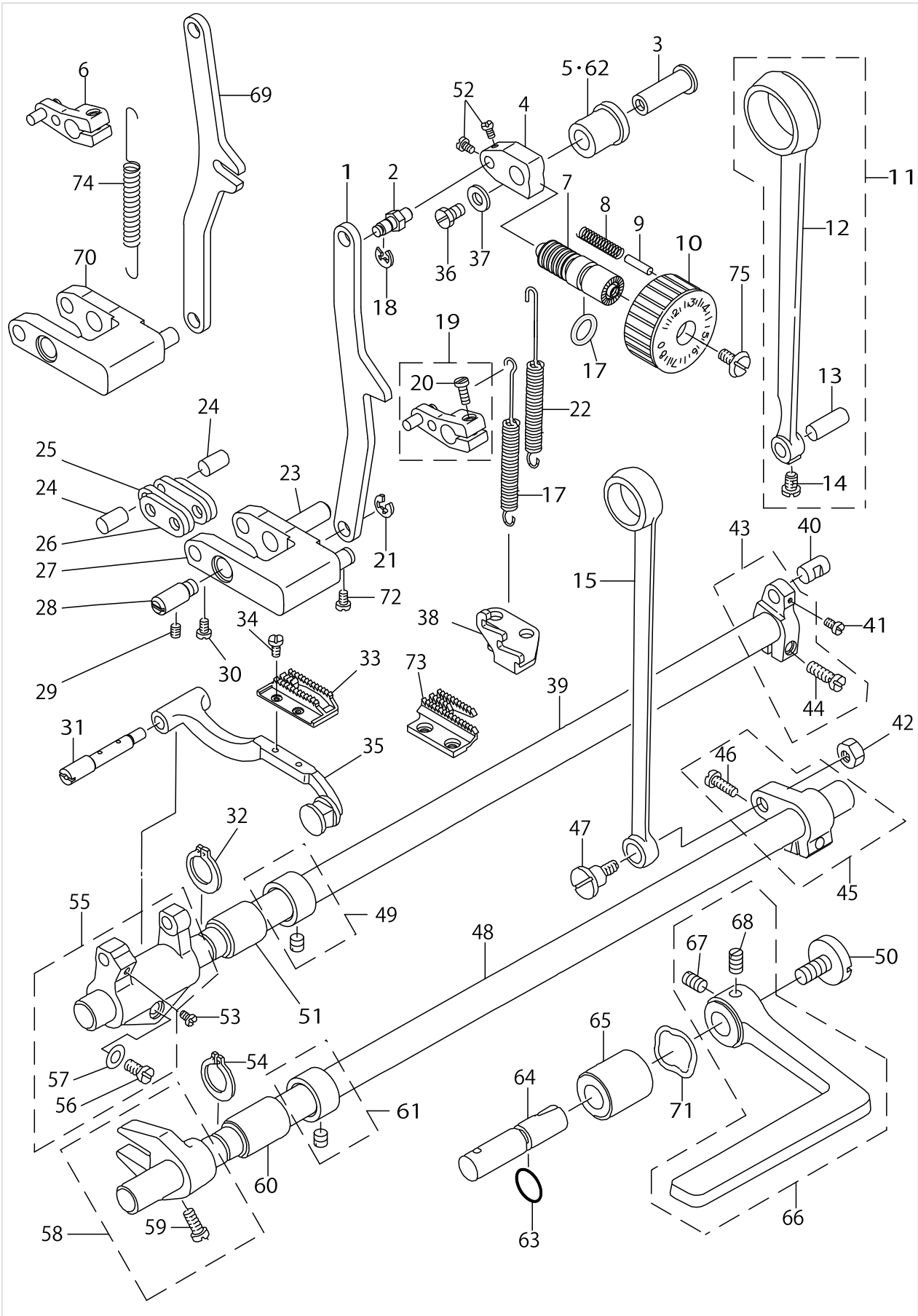
FEED MECHANISM COMPONENTS



FEED MECHANISM COMPONENTS

No.	Supply Code	Parts No.	Replacement	Parts name	Remarks	Choice	Step	Level	Cons	Qty	Rep. QTY
1		11314507		FEED ADJUST ROD	FOR DDL-- 5600NL-7-0B					1	
2		22971204		FEED REGULATOR BASE PIN						1	
3		11385127		FEED REGULATOR SHAFT						1	
4		11402716		FEED REGULATOR						1	
5		11009800		FEED REGULATOR BUSHING	FOR DDL-- 5600NL-7-0B					1	
6		11311057		FEED REVERSE ARM ASM.	FOR DDL-- 5600NL-7-0B					1	
7		22911804		FEED REGULATOR SCREW						1	
8		22912109		FEED REGULATOR PIN SPRING						1	
9		22912000		FEED REGULATOR PIN						1	
10		11402203		FEED DIAL						1	
11		22970750		HORIZONTAL FEED ROD ASM.						1	
12	R	22970701	22970750	HORIZONTAL FEED ROD				*		1	1.00
13		22911101		WALKING FOOT PIN C				*		1	
14	R	SS6090620SP	SS6090620TP	SCREW 9/64-40 L=6				*		1	1.00
15		22915003		CONNECTING ROD						1	
16		RO092270200		RUBBER RING						1	
17		11305000		SPRING	FOR DDL-- 5600NL-7-00					1	
18		RE0500000K0		E-RING						1	
19		22971550		FEED LEVER ARM ASM.	FOR DDL-- 5600NL-7-00					1	
20		SS7121410TP		SCREW 3/16-28 L=14				*		1	
21		RE0500000K0		E-RING						1	
22		11302619		SPRING						1	
23		40010395		ADJUSTING LINK F- ULCRUM SHAFT B						1	
24		22910905		WALKING FOOT PIN A						2	
25		22910707		CONNECTING LINK B						2	
26		22910608		CONNECTING LINK A						2	
27		11303161		FEED ADJUST LINK ASM.						1	
28		22910806		ADJUST LINK FULCRUM SHAFT A						1	
29	R	SS8150710SP	SS8150710TP	SCREW 15/64-28 L=7						1	1.00
30	R	SS6090620SP	SS6090620TP	SCREW 9/64-40 L=6						2	1.00
31		22940803		FEED BAR SHAFT						1	
32		RC0150001KP		RETAINING RING 13.8						1	
33		D1613560E0A		FEED DOG						1	
34		SS4080620TP		SCREW 1/8-44 L=6						2	
35		22940753		FEED BAR ASM.						1	
36		SS9661120CP		SCREW 1/4-40 L=10.5						1	
37		WP0702026SP		WASHER 7X15X2						1	
38		22970602		FEED SPRING HOOK						1	
39		22912901		FEED ROCKERSHAFT						1	
40		22911002		WALKING FOOT PIN B						1	
41	R	SS6090620SP	SS6090620TP	SCREW 9/64-40 L=6						1	1.00
42		NS6680410SP		NUT 9/32-28						1	
43		22970859		HORIZONTAL FEED ARM ASM.						1	
44		SS6121610SP		SCREW 3/16-28 L=15.5				*		1	

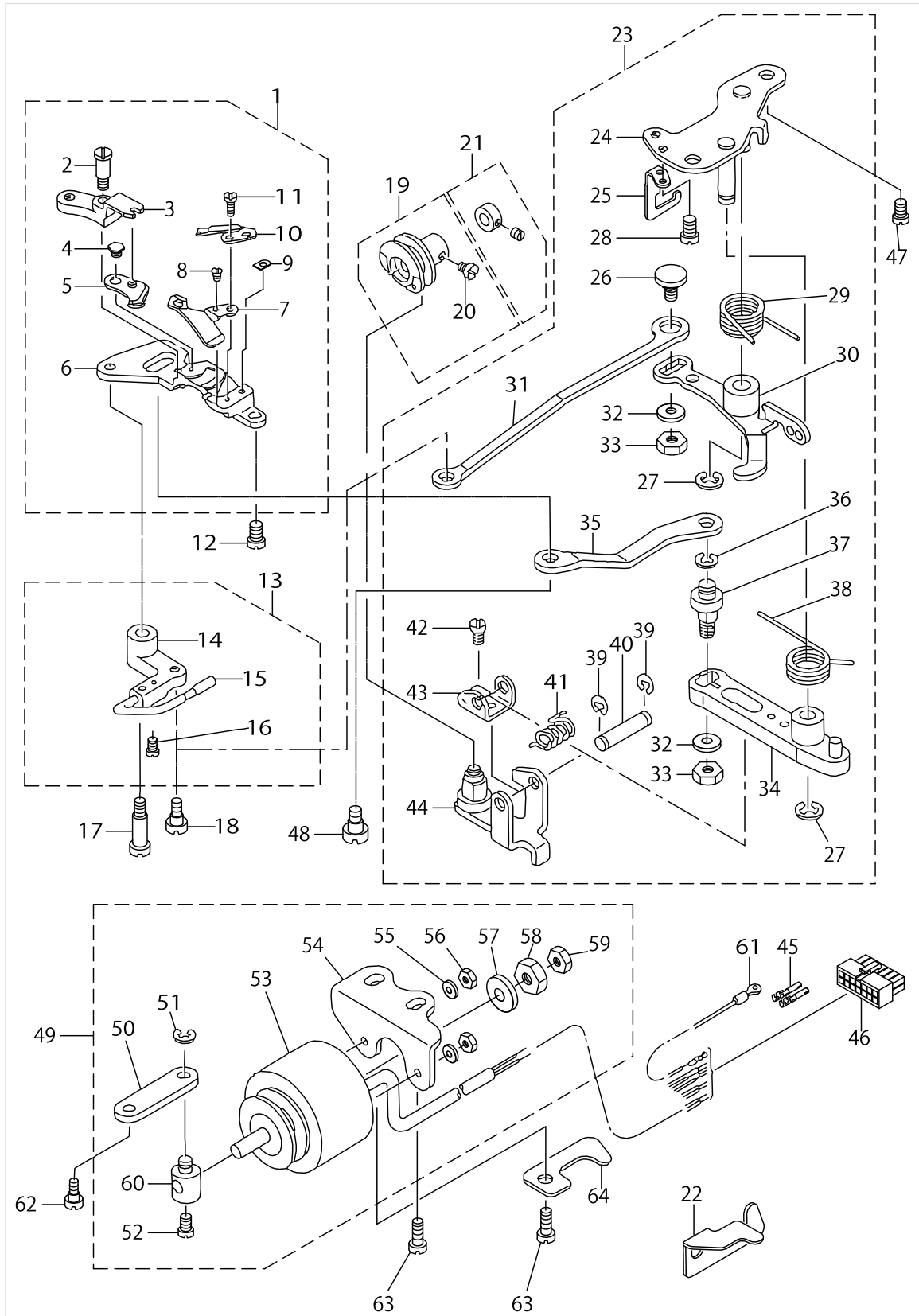
FEED MECHANISM COMPONENTS



FEED MECHANISM COMPONENTS

No.	Supply Code	Parts No.	Replacement	Parts name	Remarks	Choice	Step	Level	Cons	Qty	Rep. QTY
45		22915151		FEED ARM COMPL.						1	
46		SS7121610SP		SCREW 3/16-28 L=15.5				*		1	
47		SD1000801SH		HINGE SCREW D=10 H=8						1	
48		22915201		FEED DRIVING SHAFT						1	
49		22904155		MAIN SHAFT THRU-ST COLLAR ASM.						1	
50		SS7620750SP		SCREW 3/16-32 L=6.5						1	
51		22913008		FEED ROCKER SHAFT BUSHING						1	
52		SS6090560TP		SCREW 9/64-40 L=4.5						2	
53		SS7110740TP		SCREW 11/64-40 L=7						1	
54		RC0150001KP		RETAINING RING 13.8						1	
55		22940654		FEED ROCKER ASM.						1	
56		SS7121410TP		SCREW 3/16-28 L=14				*		1	
57		WP0480856SP		WASHER 4.8X8.4X0.8				*		1	
58		22915359		DRIVING SHAFT CRANK ASM.						1	
59	R	SS7111120SP	SS7111120TP	SCREW 11/64-40 L=10.5				*		1	1.00
60		22913008		FEED ROCKER SHAFT BUSHING						1	
61		22904155		MAIN SHAFT THRU-ST COLLAR ASM.						1	
62		22911705		FEED REGULATOR BUSHING	FOR DDL-- 5600NL-7-00					1	
63		RO078190100		RUBBER RING						1	
64		22967202		FEED REVERSE SHAFT						1	
65		22912802		FEED LEVER SHAFT BUSHING						1	
66		22912752		FEED LEVER ASM.						1	
67		SM8061050TP		SCREW				*		1	
68		SM8061010TP		SCREW				*		1	
69		22971105		FEED REGULATOR ROD	FOR DDL-- 5600NL-7-00					1	
70		11314267		FEED ADJUST LINK ASM.	FOR DDL-- 5600NL-7-0B					1	
71		WZ1250300K0		WAVED WASHER 12.5X17X0.3	FOR DDL-- 5600NL-7-00					1	
72		SS6151220SP		SCREW 15/64-28 L=11.5						1	
73		D1613560E00		FEED DOG	FOR DDL-- 5600NU-7-0B					1	
74		11302700		SPRING	FOR DDL-- 5600NL-7-0B					1	
75		SS6121860SP		SCREW 3/16-28 L=18						1	

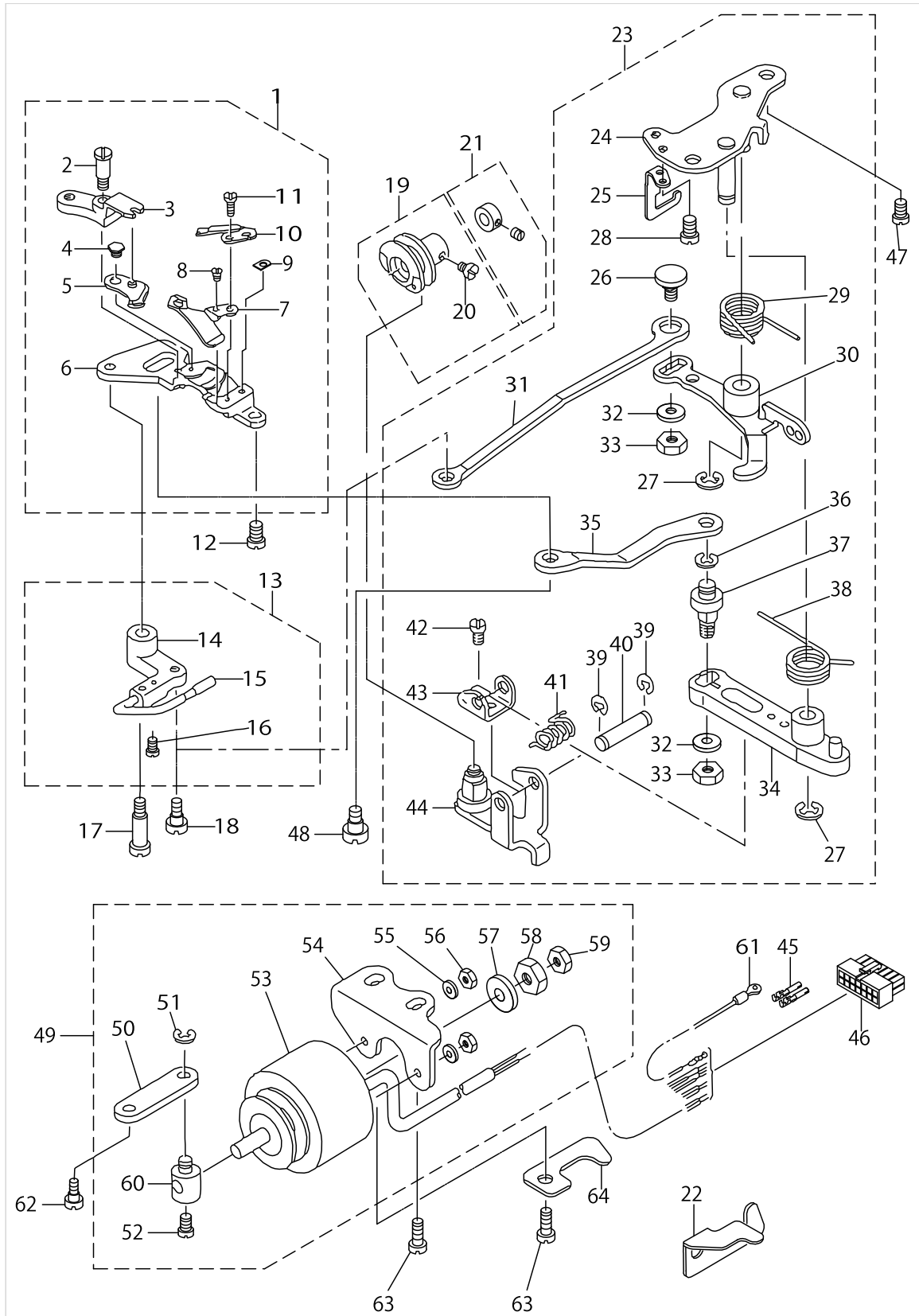
# THREAD TRIMMER MECHANISM COMPONENTS



THREAD TRIMMER MECHANISM COMPONENTS

No.	Supply Code	Parts No.	Replacement	Parts name	Remarks	Choice	Step	Level	Cons	Qty	Rep. QTY
1		11409554		KNIFE UNIT						1	
2		SD0460703TP		HINGE SCREW D=4.6 H=7				*		1	
3		11409703		FEED FORKED				*		1	
4		SD0500131TP		HINGE SCREW D=5 H=1.25				*		1	
5		11409257		MOVING KNIFE J.ASM.				*		1	
6		11409505		INSTALLING BASE				*		1	
7		11095403		KNIFE THREAD GUIDE				*		1	
8		SS2060210SP		SCREW 3/32-56 L=2.3				*		1	
9		D2404555B00		COUNTER KNIFE SPACER				*		1	
10		11409604		FIX KNIFE				*		1	
11		SS4080620TP		SCREW 1/8-44 L=6				*		2	
12		SS4110715SP		SCREW 11/64-40 L=7				*		1	
13		11408655		PICKER ARM ASM.						1	
14		11408606		PICKER ARM				*		1	
15		22950356		HOOK THREAD PRESSER ASM.				*		1	
16	R	SS6090510SP	SS6090510TP	SCREW 9/64-40 L=5				*		2	1.00
17		SD0641451SP		HINGE SCREW D=6.35 H=14.5						1	
18		SD0630275SP		HINGE SCREW D=6.35 H=2.7						1	
19		22950851		THREAD TRIMMER CAM ASM.						1	
20		SS6660610TP		SCREW 1/4-40 L=6				*		2	
21		22950950		CAM COLLAR ASM.						1	
22		22962708		TUBE HOLDER LOWER	FOR DDL-- 5600NL-7-- 0B, DDL-5- 600NU-7-0B					1	
23		11407053		THREAD TRIMMER DRIVING UNIT						1	
24		22949754		BASE PLATE ASM.				*		1	
25		22950703		DRIVING ARM STOPPER				*		1	
26		22950000		PICKER LINK PIN				*		1	
27		RE0600000K0		E-RING 6				*		2	
28		SS4110715SP		SCREW 11/64-40 L=7				*		2	
29		11094406		SPRING				*		1	
30		11407855		CLUTCH PLATE ASM.				*		1	
31		11407202		PICKER LINK				*		1	
32		WP0621016SH		WASHER				*		2	
33		NS6150430SP		NUT 15/64-28				*		2	
34		22948558		KNIFE DRIVING ARM ASM.				*		1	
35		11407103		MOVING KNIFE LINK				*		1	
36		RE0500000K0		E-RING				*		1	
37		22948400		MOVING KNIFE LINK PIN				*		1	
38	R	11041605	22949309	KNIFE RETURN SPRING				*		1	1.00
39		RE0400000K0		E-RING 4				*		2	
40		22949101		ROLLER FULCRUM SHAFT				*		1	
41		22949200		ROLLER RETURN SPRING				*		1	
42		SS7090610SP		SCREW 9/64-40 L=6				*		1	
43		11094307		ROLLER ARM BRACKET				*		1	
44		11040953		ROLLER ARM ASM.				*		1	
45		HK03464000B		PIN CONTACT						2	

# THREAD TRIMMER MECHANISM COMPONENTS

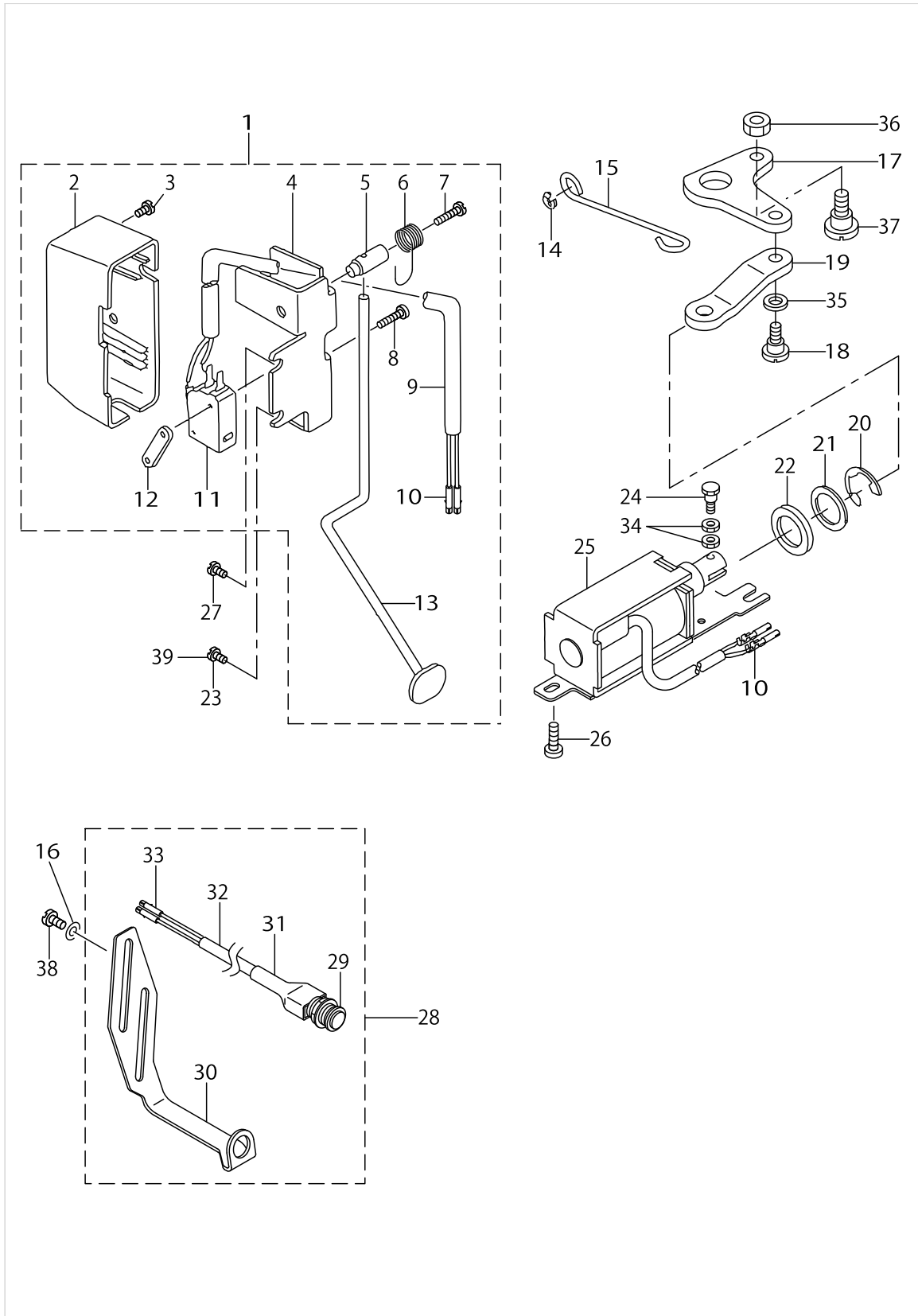


THREAD TRIMMER MECHANISM COMPONENTS

No.	Supply Code	Parts No.	Replacement	Parts name	Remarks	Choice	Step	Level	Cons	Qty	Rep. QTY
46		HK034610140		HOUSING 14P						1	
47		SS4150915SP		SCREW 15/64-28 L=9						2	
48		SD0640631TP		HINGE SCREW D=6.35 H=6.3						1	
49		11407459		SOLENOID UNIT						1	
50		11407707		CLUTCH LINK				*		1	
51		RE0500000K0		E-RING				*		1	
52		SS6110710TP		SCREW 11/64-40 L=6.5				*		1	
53	R	11096500	40090753	THREAD TRIMMER SOLENOID				*		1	1.00
54		11407608		SOLENOID BASE				*		1	
55		WP0450000SD		WASHER 4.5X8X0.5				*		2	
56		NM6040000SN		NUT M4				*		2	
57		11043304		SOLENOID RUBBER				*		1	
58		NS6660410SH		NUT				*		1	
59		NS6660430SP		NUT 1/4-40				*		1	
60	R	11043007	22951008	SOLENOID PIN				*		1	1.00
61		22951552		GROUND WIRE ASM.						1	
62		SD0600452TP		HINGE SCREW D=6 H=4.5						1	
63		SS4151215SP		SCREW15/64-28L=12						2	
64		22924807		PIPE HOLDER LOWER						1	



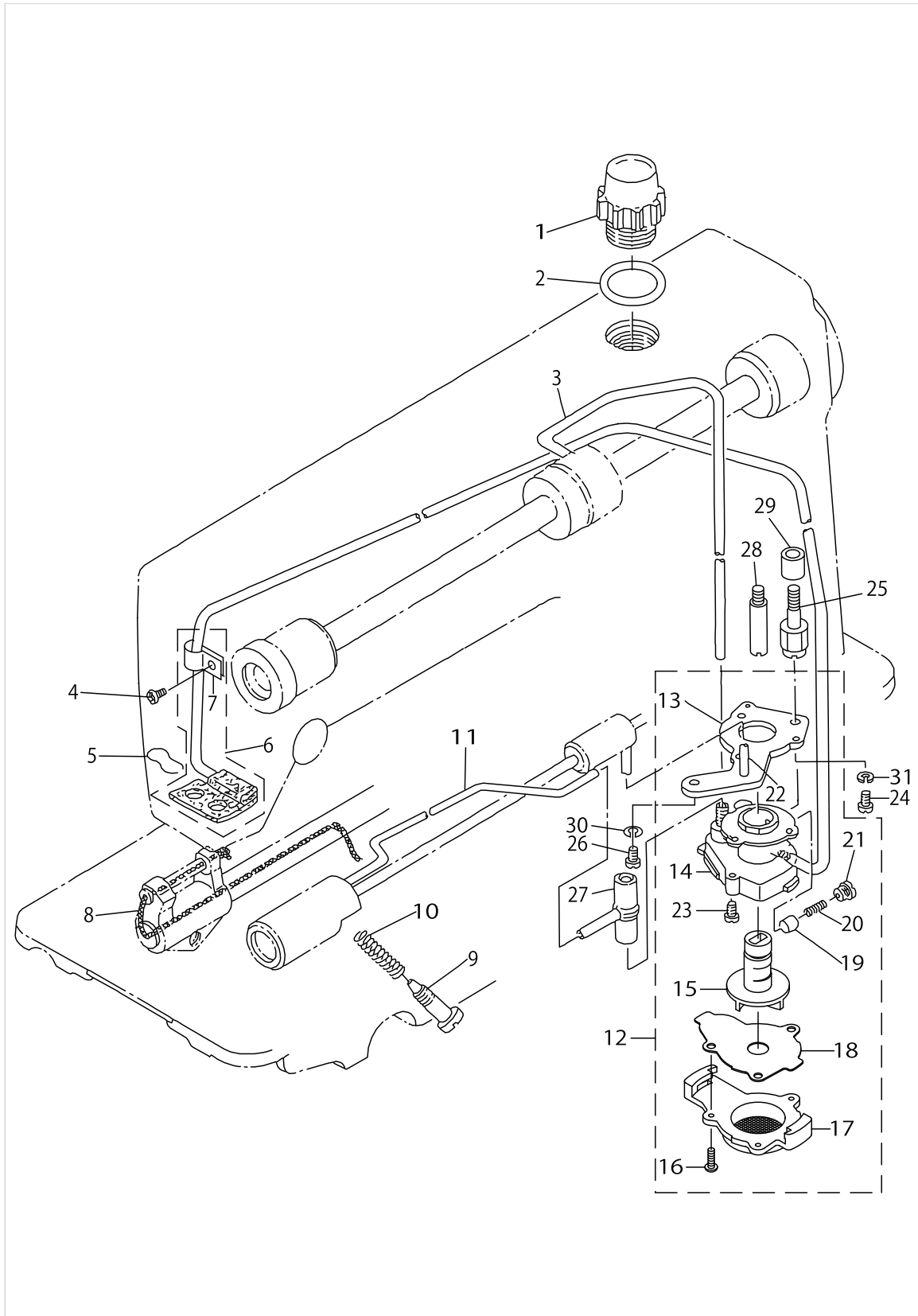
AUTOMATIC REVERSE FEED COMPONENTS



AUTOMATIC REVERSE FEED COMPONENTS

No.	Supply Code	Parts No.	Replacement	Parts name	Remarks	Choice	Step	Level	Cons	Qty	Rep. QTY
1		11075058		REVERSE FEED SWITCH ASM.						1	
2		22954606		REVERSE FEED SWITCH COVER				*		1	
3		SM4040655SP		SCREW M4 L=6				*		1	
4		22954101		REVERSE FEED SWITCH BASE				*		1	
5		22954200		REVERSE FEED SWITCH SHAFT				*		1	
6		22954309		REVERSE FEED SWITCH SPRING				*		1	
7		SM4041655SP		SCREW M4 L=16				*		1	
8		SM4031501SC		SCREW M3 L=15				*		2	
9		HW500070000		2-CORE CABTYRE CORD				*		1.3	
10		HK03464000B		PIN CONTACT				*		4	
11		HA001900000		MICROSWITCH				*		1	
12	R	11102308	22954408	MICRO SWITCH PLATE				*		1	1.00
13		22954507		REVERSE FEED SWITCH LEVER				*		1	
14		RE0500000KP		E-RING 5						1	
15		11101300		REVERSE FEED CO- NNECTING SHAFT						1	
16		WP0501016SD		WASHER 5X10.5X1	FOR DDL-- 5600NU-7-0B					1	
17		11101508		REVERSE FEED LINK						1	
18		SD0700451TP		HINGE SCREW D=7 H=4.5						1	
19		22962500		SOLENOID CONNECTING LINK						1	
20		RE1200000K0		E-RING 12						1	
21		WP1602616SZ		WASHER 16X24X2.6						1	
22		D2468555B00		RUBBER PLUNGER						1	
23		SS4120915SP		SCREW 3/16-28 L=9						1	
24		22962906		PLUNGER ARM PIN						1	
25	R	11096658	40090750	SOLENOID MOUNTING BASE ASM.						1	1.00
26		SS4151215SP		SCREW 15/64-28L=12						1	
27		SS4120615SP		SCREW 3/16-28 L=6						2	
28		11415650		BACKWARD FEED SWITCH ASM.	FOR DDL-- 5600NU-7-0B					1	
29		10313005		BACK-TOUCH SWITCH	FOR DDL-- 5600NU-7-0B			*		1	
30	D	11409018		REVERSE FEED SWITCH BASE	FOR DDL-- 5600NU-7-0B			*		1	
31		MAT81131T00		6-POLE PLUG COVER	FOR DDL-- 5600NU-7-0B			*		1	
32		HW500070000		2-CORE CABTYRE CORD	FOR DDL-- 5600NU-7-0B			*		1.4	
33		HK03464000B		PIN CONTACT	FOR DDL-- 5600NU-7-0B			*		2	
34		NS6110420SP		NUT 11/64-40						2	
35		WP0722316SH		WASHER						1	
36		NS6110420SP		NUT 11/64-40						1	
37		SD0700711TP		HINGE SCREW D=7 H=7.1						1	
38		SS4120615SP		SCREW 3/16-28 L=6	FOR DDL-- 5600NU-7-0B					1	
39		SS4120915SP		SCREW 3/16-28 L=9	FOR DDL-- 5600NJ-7-FB					1	

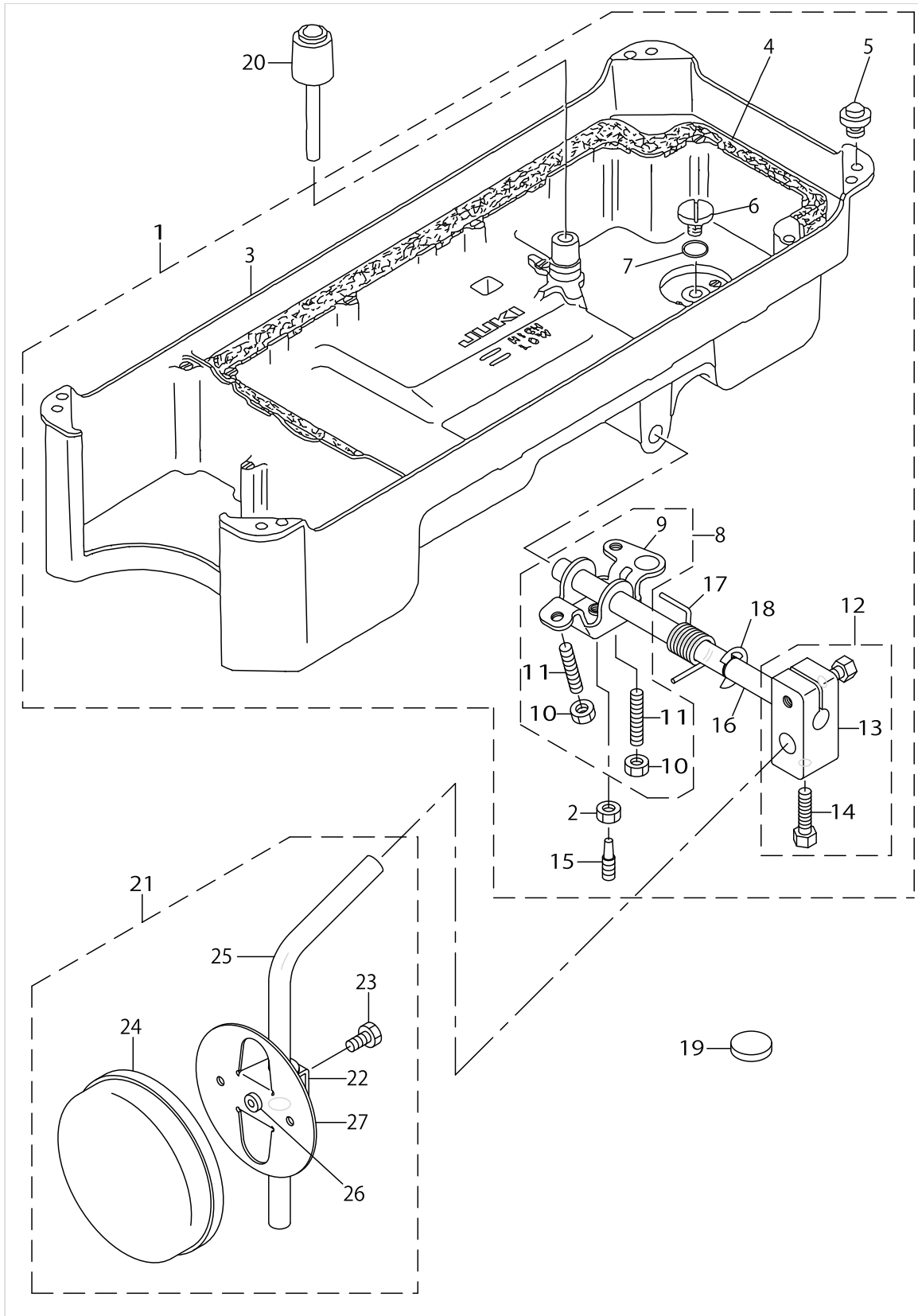
OIL LUBRICATION COMPONENTS



OIL LUBRICATION COMPONENTS

No.	Supply Code	Parts No.	Replacement	Parts name	Remarks	Choice	Step	Level	Cons	Qty	Rep. QTY
1	R	22947006	22924708	OIL SIGHT WINDOW						1	1.00
2		RO195240100		RUBBER RING						1	
3		22924401		MAINSHAFTOILTUBE						1	
4		SS4120615SP		SCREW 3/16-28 L=6						1	
5		22925101		OIL FELT PRESSER						1	
6		22924153		RETURN PIPE ASM.						1	
7		22924302		RETURN PIPE HOLDER				*		1	
8		CQ252000000		OIL WICK						.3	
9		22925002		OIL REGULATOR SCREW						1	
10		22924906		OIL REGULATOR SCREW SPRING						1	
11		11094109		OIL TUBE						1	
12		11404555		LUBRICATING OIL PUMP ASM.						1	
13	R	22923312	11392057	OIL PUMP INSTALLING BASE		A	DDL5430	*		1	1.00
13	R	22923312	11404555	OIL PUMP INSTALLING BASE		B	DDL5600/- 8100e, DU1181	*		1	1.00
13	R	22923312	22923056	OIL PUMP INSTALLING BASE		C	DDL8700/- 8300/8500- /900A, DM- N5420/5400	*		1	1.00
14	R	22923015	22923056	OIL PUMP				*		1	1.00
15		22923700		IMPELLER				*		1	
16		SE4301041SR		SCREW D=3 L=10				*		3	
17		22923205		PUMP BODY COVER				*		1	
18		22923809		PUMP BODY SUPPORT PLATE				*		1	
19		22923403		PLUNGER				*		1	
20		22923601		PLUNGER SPRING				*		1	
21		22923502		PLUNGER SCREW				*		1	
22	D	11404605		HOOK DRIVING SHAFT OIL TUBE				*		1	
23		SL4030851SF		SCREW M3 L=8				*		3	
24		SS6111010TP		SCREW 11/64-40 L= 9.5						1	
25		11231503		OIL PUMP SUPPORT	FOR DDL-- 5600NL-7-- 0B, DDL-5- 600NU-7-0B					1	
26		SS4150915SP		SCREW 15/64-28 L=9	FOR DDL-- 5600NL-7-- 0B, DDL-5- 600NU-7-0B					1	
27		22924609		RUBBER JOINT						1	
28		22924005		PUMP BODY STRUT	FOR DDL-- 5600NL-7-00					1	
29		22962609		REVERSE FEED BASE COLLAR	FOR DDL-- 5600NL-7-- 0B, DDL-5- 600NU-7-0B					1	
30		WS0651310KP		SPRING WASHER 6.5X11X1.3						1	
31		WS0451040KP		SPRING WASHER 4.5X8.5X1						1	

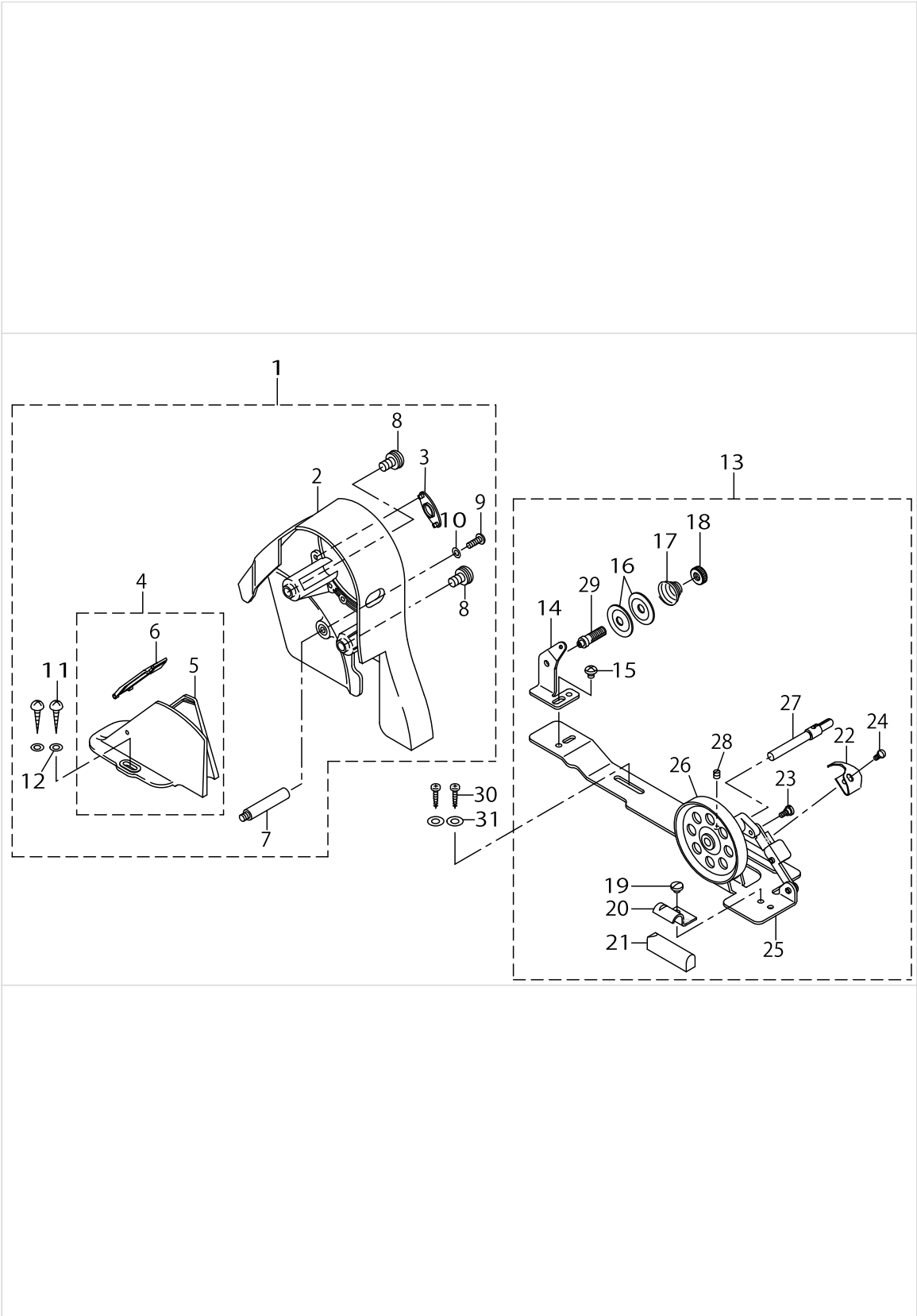
# OIL RESERVOIR COMPONENTS



OIL RESERVOIR COMPONENTS

No.	Supply Code	Parts No.	Replacement	Parts name	Remarks	Choice	Step	Level	Cons	Qty	Rep. QTY
1	R	11047057	40102085	OIL RESERVOIR ASM.						1	1.00
2		NM6060001SE		NUT M6				*		1	
3	R	11023017	40102085	OIL RESERVOIR				*		1	1.00
4		11024700		GASKET				*		1	
5		11047107		RUBBER CUSHION				*		4	
6		SS6700710SH		SCREW 5/16-24 L=7				*		1	
7		RO098240100		RUBBER RING				*		1	
8		22932156		KNEE LIFTER ROTATION ARM ASM.				*		1	
9	R	22932107	22932156	KNEE LIFTER ROTATION ARM				*		1	1.00
10		NM6060001SE		NUT M6				*		2	
11		SM8063012TR		SCREW M6 L=30				*		2	
12		22932453		BRACKET ASM.				*		1	
13	R	22932404	22932453	BRACKET				*		1	1.00
14		22934707		SCREW				*		2	
15		40101720		SCREW_M6				*		1	
16		22932305		KNEE PRESS ROD				*		1	
17		22932206		SPRING				*		1	
18		RE1000000K0		E-RING 10				*		1	
19		B8228125000		OIL RESERVOIR MAGNET						1	
20	R	11024304	22931703	KNEE PRESS LIFTER ROD						1	1.00
21		22934251		KNEE PAD PLATE ASM.						1	
22		22934301		KNEE PAD PLATE SUPPORT				*		1	
23		SM9061203SE		SCREW M6 L=12				*		1	
24		22934509		KNEE PAD PLATE COVER				*		1	
25		22934608		KNEE PAD UPRIGHT SHAFT				*		1	
26		22934400		KNEE PAD PLATE RUBBER				*		1	
27		22934202		KNEE PAD PLATE				*		1	

BELT COVER & BOBBIN WINDER COMPONENTS

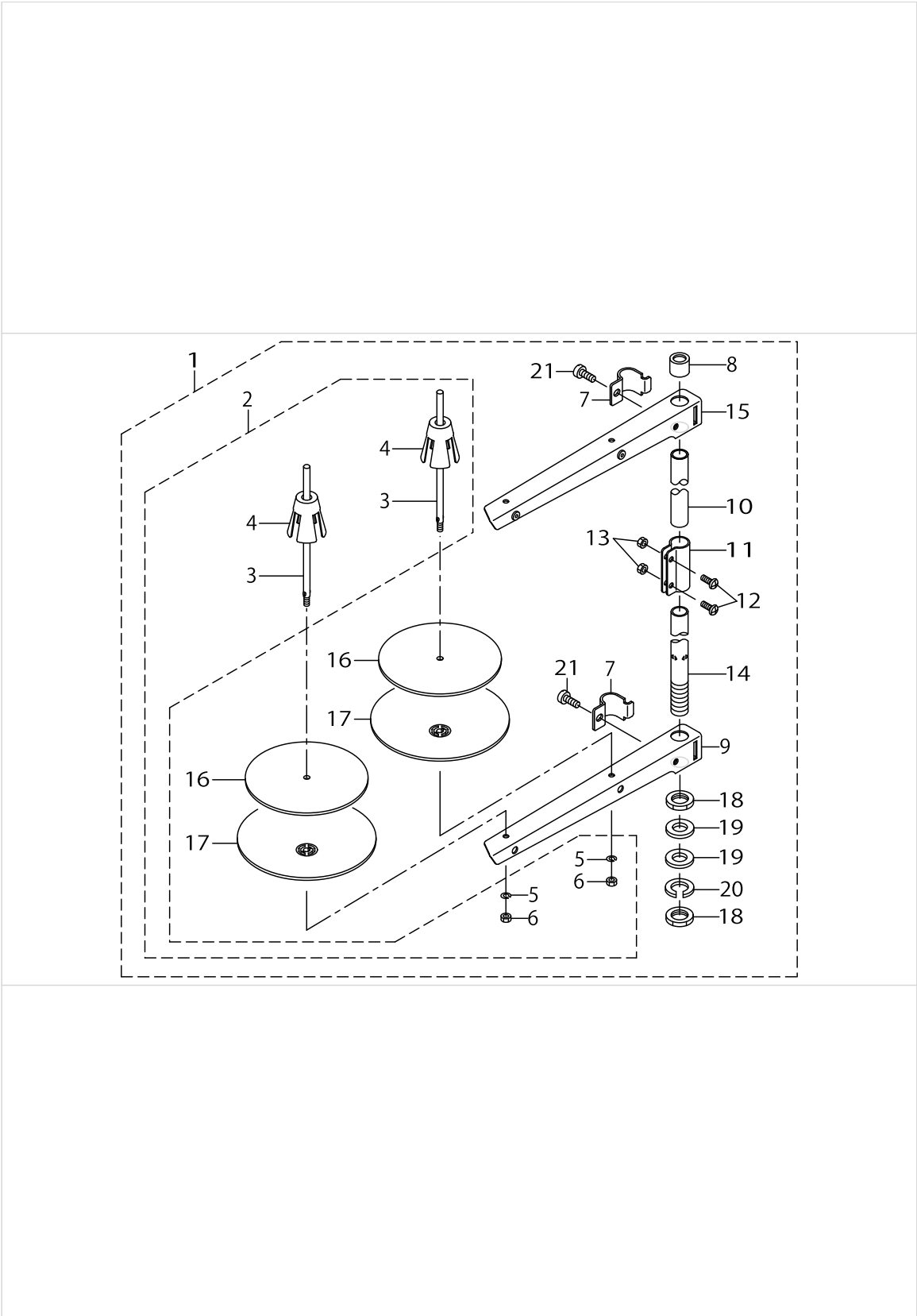


BELT COVER & BOBBIN WINDER COMPONENTS

No.	Supply Code	Parts No.	Replacement	Parts name	Remarks	Choice	Step	Level	Cons	Qty	Rep. QTY
1		22933451		BELT COVER ASM.						1	
2	R	22933402	22933451	BELT COVER A				*		1	1.00
3		22933501		BELT COVER A CAP				*		1	
4		22933659		BELT COVER B COMPL.				*		1	
5		22933600		BELT COVER B				*		1	
6	R	22933758	22933659	BELT COVER B LID ASM.				*		1	1.00
7		22933907		BELT COVER STRUT				*		1	
8	R	22934004	11025202	SET SCREW				*		2	1.00
9		SS4121415SP		SCREW 3/16-28 L=14				*		1	
10		WP0501016SD		WASHER 5X10.5X1				*		1	
11	R	SK3412000SC	SK3412000SE	WOOD SCREW D=4.1 L=20				*		2	1.00
12		WP0450826SC		WASHER 4.5X10X0.8				*		2	
13		11415866		BOBBIN WINDER COMPL						1	
14	R	22928501	11078250	THREAD TENSION POST BASE				*		1	1.00
15		SS4110515SP		SCREW 11/64-40 L=5				*		1	
16	R	22928907	22921506	THREAD TENSION DISK				*		2	1.00
17		22929004		THREAD TENSION SPRING				*		1	
18		22928808		NUT				*		1	
19		SS4110515SP		SCREW 11/64-40 L=5				*		1	
20	D	22928402		CONTROL RUBBER HOLDING PLATE				*		1	
21		22928303		CONTROL RUBBER				*		1	
22		11415908		POSITIONING FINGER				*		1	
23		SD0490261SP		HINGE SCREW D=4.9 H=2.6				*		1	
24		SS7081310SP		SCREW 1/8-44 L=12.5				*		1	
25	R	22927305	22927354	BOBBIN WINDER BASE				*		1	1.00
26		22927404		BOBBIN WINDER				*		1	
27		22927602		BOBBIN WINDER SPINDLE				*		1	
28	R	SS8110510SP	SS8110520TP	SCREW 11/64-40 L=5				*		1	1.00
29	R	22928709	11078250	THREAD TENSION POST				*		1	1.00
30	R	SK3412000SC	SK3412000SE	WOOD SCREW D=4.1 L=20						2	1.00
31		WP0450826SC		WASHER 4.5X10X0.8						2	



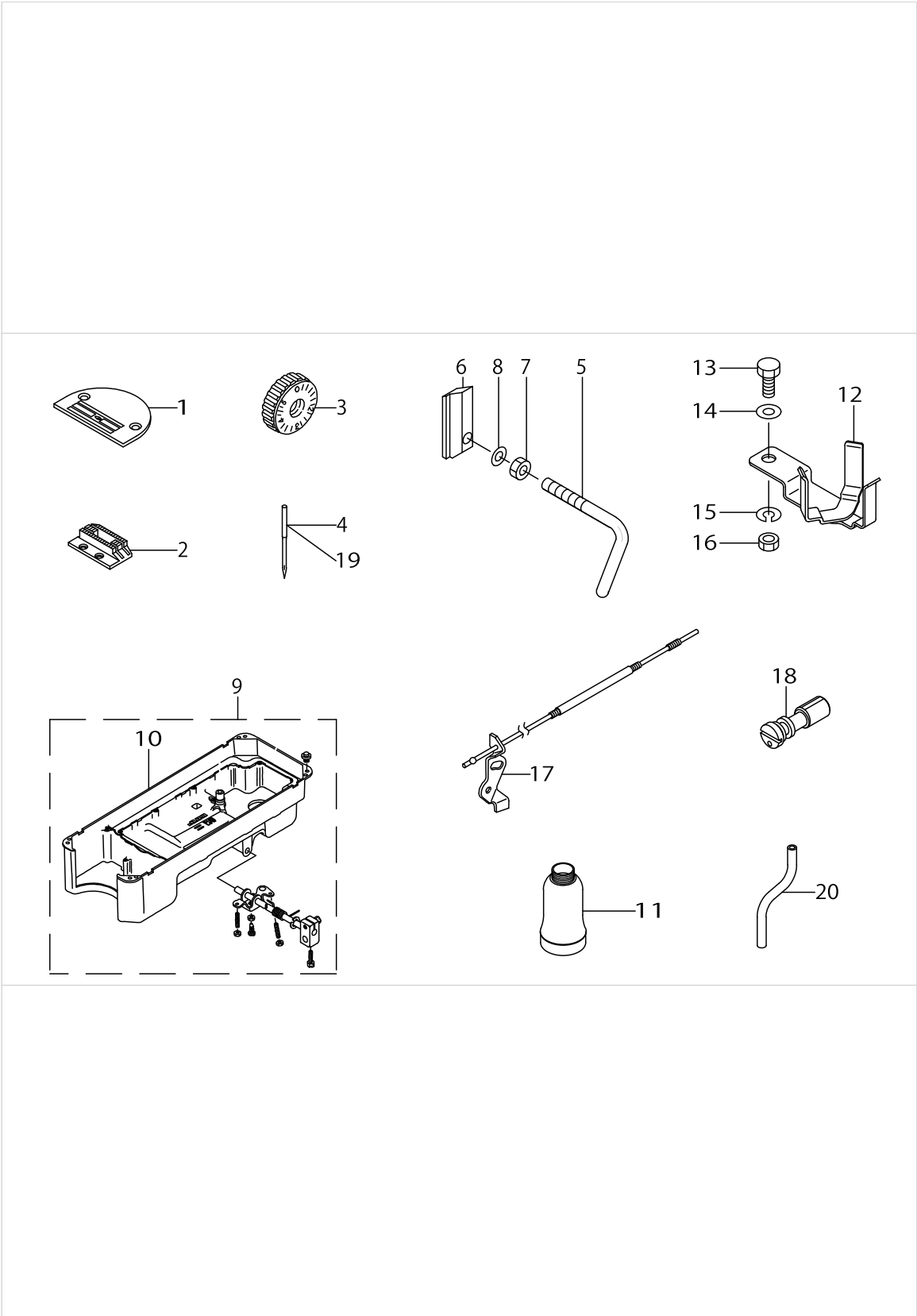
THREAD STAND COMPONENTS



THREAD STAND COMPONENTS

No.	Supply Code	Parts No.	Replacement	Parts name	Remarks	Choice	Step	Level	Cons	Qty	Rep. QTY
1	R	22930358	40096354	THREAD STAND ASM.						1	1.00
2		40062684		SPOOL PIN ASM.				*		1	
3	R	22931000	40085790	SPOOL PIN				*		2	1.00
4	R	22931109	40085791	SPOOL RETAINER				*		2	1.00
5		WS0510002KN		SPRING WASHER				*		2	
6		NM6050001SE		NUT M5				*		2	
7	R	22930705	40096354	THREAD GUIDE ARM JOINT				*		2	1.00
8		22931406		SPOOL REST ROD RUBBER CAP				*		1	
9	R	22930507	40096354	SPOOL REST ARM				*		1	1.00
10	R	22930408	40096354	SPOOL REST ROD UPPER				*		1	1.00
11	R	22931307	40096354	SPOOL REST ROD JOINT				*		1	1.00
12		SM4051405SE		SCREW M5 L=14				*		2	
13		NM6050001SE		NUT M5				*		2	
14	R	22930309	40096354	SPOOL REST ROD LOWER				*		1	1.00
15	R	22930556	40096354	THREAD STANDING ARM ASM.				*		1	1.00
16		22930903		SPOOL REST CUSHION				*		2	
17		22930804		SPOOL REST				*		2	
18		NM6160511SE		NUT M16X1.5				*		2	
19		WP1612616SE		WASHER 16X30X2.6				*		2	
20	R	WS1643202KR	WP1612616SE	SPRING WASHER		A		*		1	2.00
20	R	WS1643202KR	40085796	SPRING WASHER		A		*		1	2.00
21		SM6061610SC		SCREW M6 L=16				*		2	

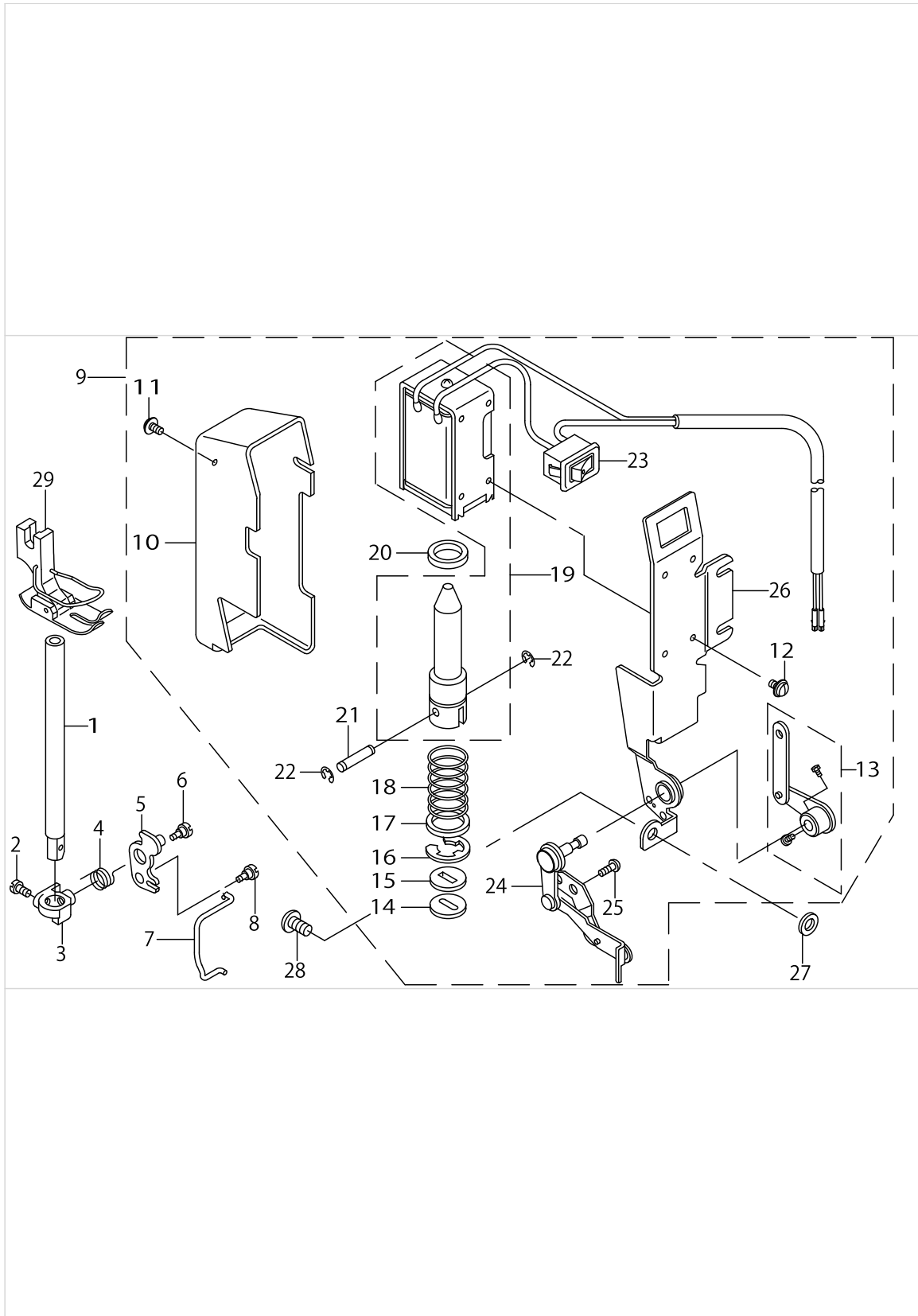
EXCLUSIVE PARTS FOR DDL-5600NJ-7



EXCLUSIVE PARTS FOR DDL-5600NJ-7

No.	Supply Code	Parts No.	Replacement	Parts name	Remarks	Choice	Step	Level	Cons	Qty	Rep. QTY
1		11400801		THROAT PLATE J						1	
2		11403003		FEED J						1	
3		11402104		FEED DIAL J						1	
4		MDB100B2100		NEEDLE DBX1 #21						1	
5		22972608		ARMTHREADGUIDE C						1	
6		11403805		THREAD GUIDE C FITTING PLATE						1	
7		NS6090310SP		NUT 9/64-40						1	
8		WP0371016SD		WASHER 3.7X8X1						1	
9		11142064		OIL RESERVOIR ASM.						1	
10		11142056		OIL RESERVOIR ASM.				*		1	
11		B9121012000		OIL CAN						1	
12		11074408		SUPPORT BASE						1	
13		SM9082023SE		SCREW M8 L=20						1	
14		WP0871602SE		WASHER 8.7X18X1.6						1	
15		WS0861410KR		SPRING WASHER 8.6X15X1.4						1	
16		NM6080721SE		NUT M8						1	
17		11409455		TENSION RELEASE WIRE ASM. J	FOR USE IN JAPAN					1	
18		22903900		ADJUSTING PIN						1	
19		MC200501300		NEEDLE 134 NM130	FOR JE					1	
20		BP900000000		VINYL TUBE D=9						.6	

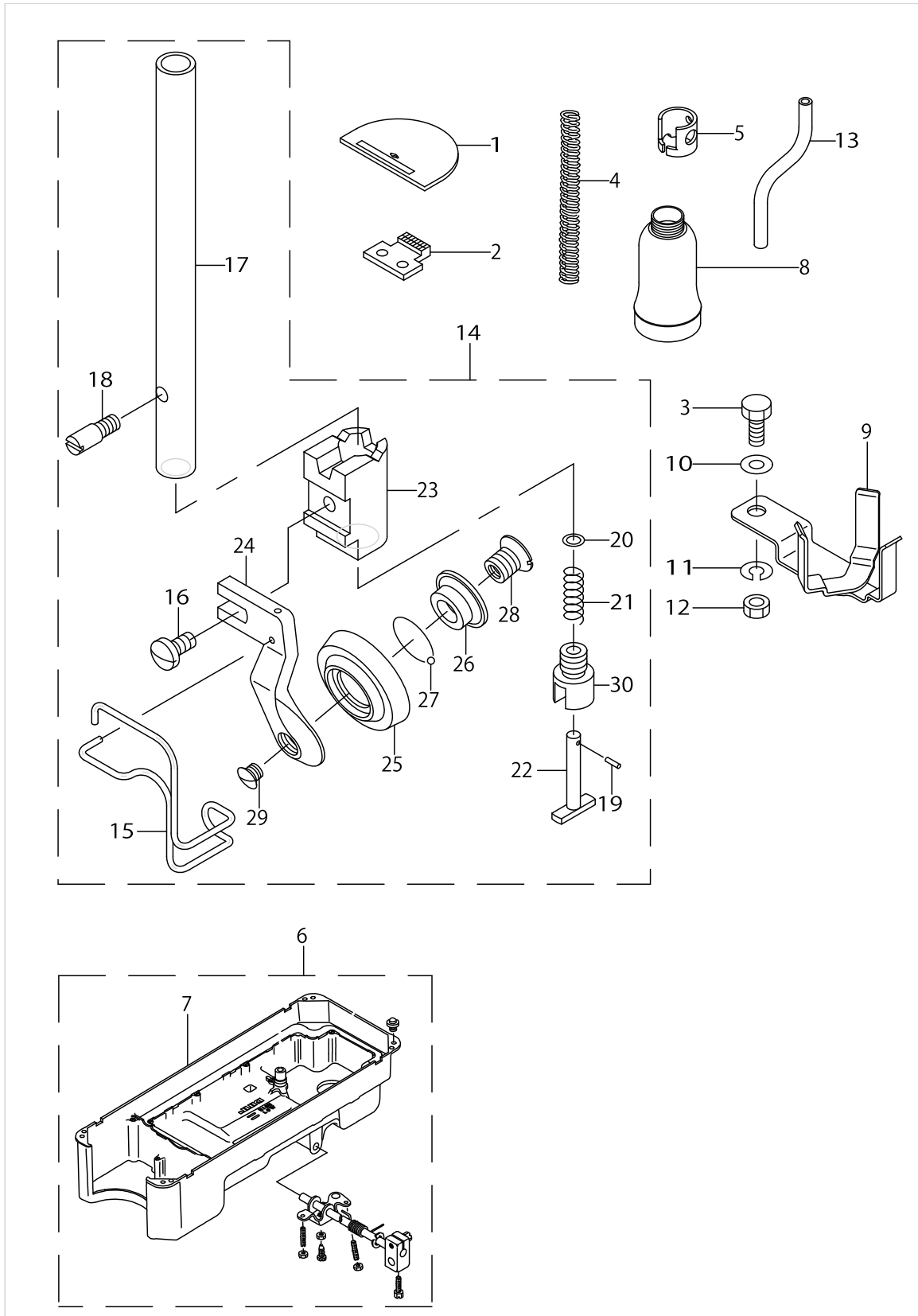
WIPER COMPONENTS (FOR DDL-5600NJ-7-FB)



WIPER COMPONENTS (FOR DDL-5600NJ-7-FB)

No.	Supply Code	Parts No.	Replacement	Parts name	Remarks	Choice	Step	Level	Cons	Qty	Rep. QTY
1		MAV02128000		PRESSER BAR						1	
2		SS6110650TP		SCREW 11/64-40 L=5.5						1	
3		11412509		WIPER BASE						1	
4		11412608		WIPER ARM SPRING						1	
5		11412764		WIPER ARM ASM.						1	
6		SD0550212TP		HINGE SCREW D=5.5 H=2.1						1	
7		11414612		WIPER STANDARD						1	
8		SS6090560TP		SCREW 9/64-40 L=4.5						1	
9		11415759		WIPER ASM. F						1	
10		11411006		WIPER COVER				*		1	
11		SL4030631SC		SCREW M3X6				*		1	
12		SL4030641SE		SCREW				*		4	
13		11411758		WIPER CONNECTING LINK ASM.				*		1	
14		11234606		STOPPER RUBBER WASHER				*		1	
15		11233301		STOPPER RUBBER				*		1	
16		RE1200000K0		E-RING 12				*		1	
17		WP1651616SD		WASHER				*		1	
18		11411402		WIPER MAGNET SPRING				*		1	
19		40112717		WIPER SOLENOID ASM.				*		1	
20		11411303		PLUNGER STOPPER RUBBER				*		1	
21		11411600		PLUNGER CONNECTING PIN				*		1	
22		RC0330415KP		SNAP RING				*		2	
23		HA00600000A		SWITCH				*		1	
24		11412350		SLIDE BASE ASM.				*		1	
25		SS4110515SP		SCREW 11/64-40 L=5				*		2	
26		11413051		WIPER ADJUSTING BASE ASM.				*		1	
27		WP0611626SP		WASHER 15X6X1.6						1	
28		SS4120915SP		SCREW 3/16-28 L=9						1	
29		D1524555ECL		PRESSER FOOT ASM.						1	

EXCLUSIVE PARTS FOR DDL-5600NR-7



EXCLUSIVE PARTS FOR DDL-5600NR-7

No.	Supply Code	Parts No.	Replacement	Parts name	Remarks	Choice	Step	Level	Cons	Qty	Rep. QTY
1		11405800		THROAT PLATE R						1	
2		11405701		FEED DOG R						1	
3		SM9082023SE		SCREW M8 L=20						1	
4		22907406		PRESSER SPRING						1	
5		11401916		NEEDLE BAR THREAD GUIDE U						1	
6		11142064		OIL RESERVOIR ASM.						1	
7		11142056		OIL RESERVOIR ASM.				*		1	
8		B9121012000		OIL CAN						1	
9		11074408		SUPPORT BASE						1	
10		WP0871602SE		WASHER 8.7X18X1.6						1	
11		WS0861410KR		SPRING WASHER 8.6X15X1.4						1	
12		NM6080721SE		NUT M8						1	
13		BP900000000		VINYL TUBE D=9						.6	
14	D	B1524560RB0		ROLLER PRESSER ASM.						1	
15	D	B1421560R00		NEEDLE SAFETY COVER				*		1	
16		SS7090710SP		SCREW 9/64-40 L=6.8				*		1	
17		B1501560R00		PRESSER ROD R				*		1	
18	D	B1523560R00		FIXED SCREW				*		1	
19		B1512560R00		PIN				*		1	
20		B1513560R00		WASHER				*		1	
21		B1514560R00		SPRING				*		1	
22		B1515560R00		SPRING SHAFT				*		1	
23		B1517560R00		ROLLER PRESSER BASE				*		1	
24	R	B1519560R00	B1524560RB0	ROLLER PRESSER				*		1	1.00
25	R	B1522560R00	B1524560RB0	ROLLER				*		1	1.00
26	R	B1521560R00	B1524560RB0	ROLLER BUSH				*		1	1.00
27	R	B1511560R00	B1524560RB0	STEEL BOLL				*		48	1.00
28	R	B1520560R00	B1524560RB0	SCREW				*		1	1.00
29		B1518560R00		SCREW				*		1	
30		B1516560R00		SPRING HOLDER				*		1	



LIST FOR INFORMATION OF CHANGE (1)

As to the place changed, refer to the corresponding Rev.No.  
 When previous parts(Obsoleted part)and new parts(Added parts)are  
 not interchangeable with each other:  
 In this case,even obsoleted parts(D.)can be ordered with the  
 obsoleted part number,so select the parts with changed dates and  
 place your orders.

変更箇所は、該当Rev.No.版をご参照ください。  
 部品の互換性がない変更の場合は、削除された品番でも、ご注文できます。

29134400  
 No.0880-08 Rev.No.

\*A:Added parts追加部品/D:Obsoleted parts削除部品/E:Erratum訂正

* Rev. No.	Page 頁	Ref. No.	Parts No. 品番	* Rev. No.	Page 頁	Ref. No.	Parts No. 品番
D 07	2	12	229-01904	A 08	2	12	114-15205
D 07	2	21	110-73954	A 08	2	21	229-63458
D 07	2	61	111-00104	A 08	2	61	401-11022
D 07	2	62	M6015-350-AAA				
D 07	2	63	SS-4121215-SP				
D 07	2	64	WP-0501016-SD				
D 07	4	6	B1905-541-B00	A 08	4	6	229-18403
				A 08	4	7	229-18502
				A 08	4	8	229-18601
				A 08	4	9	229-18700
D 07	4	7	110-91600	A 08	4	10	401-09126
D 07	4	8	B1408-552-000	A 08	4	11	229-06606
D 07	4	9	B1903-552-000	A 08	4	12	229-18304
D 07	4	21	110-02508	A 08	4	21	401-05231
D 07	6	6	B1414-555-000	A 08	6	6	400-90058
D 07	6	32	400-21622	A 08	6	32	401-02871
D 07	8	24	110-18207	A 08	8	24	229-20201
D 07	8	35	110-06004	A 08	8	35	229-07208
D 07	10	15	110-14008	A 08	10	15	229-15003
D 07	10	25	113-03005	A 08	10	25	229-10707
D 07	10	26	113-02908	A 08	10	26	229-10608
D 07	12	26	110-42306	A 08	12	26	229-50000
D 07	12	37	110-40706	A 08	12	37	229-48400
D 07	12	40	110-41407	A 08	12	40	229-49101
D 07	12	45	110-40854	A 08	12	45	229-48558
D 07	12	52	110-92806				
E 07	12	60	229-51404	A 08	12	60	110-43007
D 07	18	2	111-42064				
D 07	18	15	SM-9062563-TR	A 08	18	15	401-01720
D 07	18	19	111-42056				
				A 08	20	2	400-62684
D 07	21	18	M6014-350-AAD				
D 07	22	19	114-11105	A 08	22	19	401-12717
D 07	22	23	HW-2003900-00				
D 07	22	24	HA-0060000-00	A 08	22	23	HA-0060000-0A
D 07	22	25	HW-5000700-00				



## HOW TO MAKE USE OF THIS PARTS LIST

### 1.Explanation of codes

1)"\*"mark.....means this part is changed from the previous parts book.

As to the details of the change, refer to the "List for information of change".

2)"#01".....refer to "Note" explanation at bottom of page.

### 2.Codes on the "Qty" column

- Each numeral indicates the number of parts required.
- "0.1" and "2.5" indicate the length (in meters) of the respective parts.

3.Parentheses mean that the corresponding part is a subpart that constructs an assembly part.

4.Dotted lines on the Figures indicate assembly parts.

### 1."注記"欄の記号説明

1) "\*"印.....前回のパーツブックに比較して今回変更された部品を意味します。

変更内容は、"変更情報リスト"を参照してください。

2) "#01".....ページ下の"注記"の説明を参照してください。

2.数量欄の数字は、個数を表し、0.1、2.5等の数値は、長さ（単位メートル）を表します。

3.数量欄の（ ）は、組部品を構成している子部品であることを意味します。

4.イラストページの-----枠は、組構成であることを意味します。

# NUMERICAL INDEX OF PARTS

PART NO	PAGE	REF NO.	PART NO	PAGE	REF NO.	PART NO	PAGE	REF NO.
10313005	24	29	11234606	36	14	11409554	20	1
11000304	2	2	11302619	16	22	11409604	20	10
11002409	6	20	11302700	18	74	11409703	20	3
11002904	6	40	11303161	16	27	11411006	36	10
11003308	2	11	11305000	16	17	11411303	36	20
11004207	10	26	11306206	12	26	11411402	36	18
11005105	10	8	11311057	16	6	11411600	36	21
11009800	16	5-62	11314267	18	70	11411758	36	13
11017357	6	1	11314507	16	1	11412350	36	24
11023017	28	3	11385127	16	3	11412509	36	3
11024304	28	20	11400801	34	1	11412608	36	4
11024700	28	4	11401403	10	23	11412764	36	5
11030202	2	20	11401502	12	34	11413051	36	26
11040953	20	44	11401809	10	3	11414612	36	7
11041605	20	38	11401916	38	5	11415205	2	12
11043007	22	60	11402104	34	3	11415650	24	28
11043304	22	57	11402203	16	10	11415759	36	9
11045705	14	43	11402401	6	2	11415866	30	13
11047057	28	1	11402716	16	4	11415908	30	22
11047107	28	5	11403003	34	2	22900401	2	10
11070851	2	1	11403151	6	42-43	22901003	4	55
11071453	6	32	11403300	10	31	22901201	4	52
11071495	6	28	11403607	10	40	22901250	4	51
11074408	34	12	11403805	34	6	22901300	4	53
11074408	38	9	11403961	6	5	22901409	10	1
11075058	24	1	11403979	6	4	22901805	2	28
11091006	2	30	11404555	26	12	22902605	4	56
11094109	26	11	11404605	26	22	22903009	6	19
11094307	20	43	11404704	10	39	22903207	6	24
11094406	20	29	11404753	10	38	22903306	6	26
11095254	2	17	11405701	38	2	22903900	34	18
11095403	20	7	11405800	38	1	22904155	6	22
11096500	22	53	11407053	20	23	22904155	18	61
11096658	24	25	11407103	20	35	22905103	10	25
11100500	4	62	11407202	20	31	22906101	10	2
11101300	24	15	11407459	22	49	22906457	10	4
11101508	24	17	11407608	22	54	22906606	6	11
11102308	24	12	11407707	22	50	22907208	12	35
11102605	4	64	11407855	20	30	22907307	14	37
11142056	34	10	11408606	20	14	22907406	38	4
11142056	38	7	11408655	20	13	22907505	12	33
11142064	34	9	11409018	24	30	22907554	12	31
11142064	38	6	11409257	20	5	22907604	12	32
11231503	26	25	11409455	34	17	22907703	14	48
11233301	36	15	11409505	20	6	22907802	12	1

# NUMERICAL INDEX OF PARTS

PART NO	PAGE	REF NO.	PART NO	PAGE	REF NO.	PART NO	PAGE	REF NO.
22908008	12	8	22921407	2	34	22932206	28	17
22908156	12	7	22921506	2	37	22932305	28	16
22908305	12	9	22921605	2	39	22932404	28	13
22908354	12	5	22921803	2	36	22932453	28	12
22908552	12	4	22923015	26	14	22933402	30	2
22908701	12	10	22923205	26	17	22933451	30	1
22908800	12	15	22923312	26	13	22933501	30	3
22908909	12	12	22923403	26	19	22933600	30	5
22909006	12	14	22923502	26	21	22933659	30	4
22910608	16	26	22923601	26	20	22933758	30	6
22910707	16	25	22923700	26	15	22933907	30	7
22910806	16	28	22923809	26	18	22934004	30	8
22910905	16	24	22924005	26	28	22934202	28	27
22911002	16	40	22924153	26	6	22934251	28	21
22911101	16	13	22924302	26	7	22934301	28	22
22911705	18	5·62	22924401	26	3	22934400	28	26
22911804	16	7	22924609	26	27	22934509	28	24
22912000	16	9	22924807	22	64	22934608	28	25
22912109	16	8	22924906	26	10	22934707	28	14
22912752	18	66	22925002	26	9	22935407	4	59
22912802	18	65	22925101	26	5	22937965	6	35
22912901	16	39	22927305	30	25	22940654	18	55
22913008	18	60	22927404	30	26	22940753	16	35
22915003	16	15	22927602	30	27	22940803	16	31
22915151	18	45	22928303	30	21	22942601	10	41
22915201	18	48	22928402	30	20	22944508	12	19
22915359	18	58	22928501	30	14	22944607	12	21
22916308	10	27	22928709	30	29	22944854	12	28
22917058	10	36	22928808	30	18	22945307	2	40
22917157	10	29	22928907	30	16	22945414	2	22
22918304	6	12	22929004	30	17	22945604	2	23
22918403	6	6~9	22930309	32	14	22945703	2	26
22918502	6	6~9	22930358	32	1	22945802	2	24
22918601	6	6~9	22930408	32	10	22947006	26	1
22918700	6	6~9	22930507	32	9	22948400	20	37
22919203	6	41	22930556	32	15	22948558	20	34
22920102	12	30	22930705	32	7	22949101	20	40
22920201	12	24	22930804	32	17	22949200	20	41
22920300	12	27	22930903	32	16	22949754	20	24
22920409	12	25	22931000	32	3	22950000	20	26
22920607	4	47	22931109	32	4	22950356	20	15
22920904	4	43	22931307	32	11	22950703	20	25
22921001	2	31	22931406	32	8	22950851	20	19
22921209	2	38	22932107	28	9	22950950	20	21
22921308	2	33	22932156	28	8	22951552	22	61

NUMERICAL INDEX OF PARTS

PART NO	PAGE	REF NO.	PART NO	PAGE	REF NO.	PART NO	PAGE	REF NO.
22954101	24	4	B13050120A0	10	14	HA00600000A	36	23
22954200	24	5	B13061550A0	10	16	HK034610140	22	46
22954309	24	6	B13061550B0	10	13	HK03464000B	20	45
22954507	24	13	B13061550C0	10	12	HK03464000B	24	33
22954606	24	2	B13071550A0	10	19	HW500070000	24	32
22958300	2	7	B13071550B0	10	18	HX000430000	6	36
22962005	2	35	B13081550A0	10	21	M40071100AA	6	33
22962054	2	32	B1421560R00	38	15	M40071100AB	6	34
22962500	24	19	B1501560R00	38	17	MAT81131T00	24	31
22962609	26	29	B1511560R00	38	27	MAV02128000	14	36·47
22962708	20	22	B1512560R00	38	19	MAV02128000	36	1
22962807	12	22	B1513560R00	38	20	MC200501300	10	11·42
22962906	24	24	B1514560R00	38	21	MC200501300	34	19
22963409	2	25	B1515560R00	38	22	MDB100B2100	10	11·42
22963458	2	21	B1516560R00	38	30	MDB100B2100	34	4
22967202	18	64	B1517560R00	38	23	NM6040000SN	22	56
22970552	6	42·43	B1518560R00	38	29	NM6050001SE	32	13
22970602	16	38	B1519560R00	38	24	NM6060001SE	28	10
22970701	16	12	B1520560R00	38	28	NM6080721SE	34	16
22970750	16	11	B1521555000	12	2	NM6080721SE	38	12
22970859	16	43	B1521560R00	38	26	NM6160511SE	32	18
22971105	18	69	B1522560R00	38	25	NS6090310SP	34	7
22971204	16	2	B1523560R00	38	18	NS6110420SP	24	36
22971550	16	19	B1524560RB0	38	14	NS6150430SP	20	33
22972608	34	5	B1837201SA0	10	34	NS6620310SP	14	46
40010395	16	23	B8228125000	28	19	NS6660410SH	22	58
40017805	12	36·47	B9121012000	34	11	NS6660430SP	22	59
40021610	10	28	B9121012000	38	8	NS6680410SP	16	42
40021613	10	35	BP900000000	34	20	RC0150001KP	16	54
40021790	2	4	BP900000000	38	13	RC0150001KP	18	54
40023223	10	7	CM300200001	2	14	RC0330415KP	36	22
40024124	10	10	CM301300001	2	13	RC1850001KP	6	23
40057178	6	17	CQ252000000	26	8	RE0400000K0	20	39
40057179	6	13	D1109555E0L	4	44	RE0500000K0	12	23
40060989	14	40	D1109560E0B	2	18	RE0500000K0	16	21
40062684	32	2	D1126560E00A	4	63	RE0500000K0	20	51
40090058	10	6	D1524555EBL	12	18·42	RE0500000K0	22	51
40101720	28	15	D1524555ECL	36	29	RE0500000KP	24	14
40102871	10	32	D1524560EBB	14	18·42	RE0600000K0	20	27
40105231	6	21	D1613560E00	18	73	RE1000000K0	28	18
40109126	6	10	D1613560E0A	16	33	RE1200000K0	24	20
40111022	4	61	D1830560EA0	10	24	RE1200000K0	36	16
40112717	36	19	D2404555B00	20	9	RO029180100	6	39
B1213552000A	6	38	D2468555B00	24	22	RO037180100	12	3
B1215552000	6	25	HA001900000	24	11	RO044240100	6	14

NUMERICAL INDEX OF PARTS

PART NO	PAGE	REF NO.	PART NO	PAGE	REF NO.	PART NO	PAGE	REF NO.
RO078190100	18	63	SS4120615SP	12	45	SS7111120SP	18	59
RO092270200	16	16	SS4120615SP	14	45	SS7121410TP	16	56
RO098240100	28	7	SS4120615SP	24	38	SS7121410TP	18	56
RO195240100	26	2	SS4120615SP	26	4	SS7121610SP	18	46
SD0460703TP	20	2	SS4120915SP	2	50	SS7620750SP	18	50
SD0490261SP	30	23	SS4120915SP	4	50	SS7681650TP	6	15
SD0500131TP	20	4	SS4120915SP	10	43	SS8090670SP	2	41
SD0550212TP	36	6	SS4120915SP	24	39	SS8110410TP	10	37
SD0600452TP	22	62	SS4120915SP	36	28	SS8110510SP	30	28
SD0630275SP	20	18	SS4121415SP	30	9	SS8150710SP	4	42
SD0640631TP	22	48	SS4150915SP	14	44	SS8150710SP	16	29
SD0641451SP	20	17	SS4150915SP	22	47	SS8151150SP	6	27
SD0700451TP	24	18	SS4150915SP	26	26	SS8151550SP	6	31
SD0700711TP	24	37	SS4151215SP	22	63	SS8660610TP	6	18
SD0720331SP	12	13	SS4151215SP	24	26	SS8660810TP	10	22
SD1000801SH	18	47	SS6060210SP	4	54	SS8660810TP	14	38
SE4301041SR	26	16	SS6080320SP	2	3	SS8681650TP	6	16
SK3412000SC	30	30	SS6090510SP	20	16	SS9661120CP	16	36
SL4030631SC	36	11	SS6090560TP	18	52	TA0850604R0	2	5
SL4030641SE	36	12	SS6090560TP	36	8	TA1250406R0	4	49
SL4030851SF	26	23	SS6090620SP	16	41	TA1250705R0	2	6
SL4051001MZ	6	37	SS6090650SP	6	3	TA2000502R0	2	16
SM4031501SC	24	8	SS6090670TP	10	5	TA2101002R0	2	19
SM4040655SP	24	3	SS6090910SP	14	39	WP0371016SD	34	8
SM4041655SP	24	7	SS6110420TP	10	30	WP0450000SD	22	55
SM4051405SE	32	12	SS6110610TP	4	48	WP0450801SD	6	30
SM6061610SC	32	21	SS6110650TP	36	2	WP0450826SC	30	31
SM8061010TP	18	68	SS6110710TP	22	52	WP0480856SP	18	57
SM8061050TP	18	67	SS6111010TP	26	24	WP0501016SD	24	16
SM8063012TR	28	11	SS6111210SP	6	29	WP0501016SD	30	10
SM9061203SE	28	23	SS6121610SP	16	44	WP0611626SP	36	27
SM9082023SE	34	13	SS6121840SP	2	9	WP0621016SH	20	32
SM9082023SE	38	3	SS6121860SP	18	75	WP0702026SP	16	37
SS1120710SP	4	58	SS6151220SP	18	72	WP0722316SH	24	35
SS2060210SP	20	8	SS6660610TP	20	20	WP0871602SE	34	14
SS2110915SP	4	46	SS6661110SP	8	44	WP0871602SE	38	10
SS2110920TP	4	45	SS6700710SH	28	6	WP1602616SZ	24	21
SS4080620TP	16	34	SS7080510TP	10	9	WP1612616SE	32	19
SS4080620TP	20	11	SS7081310SP	30	24	WP1651616SD	36	17
SS4110515SP	12	17	SS7090610SP	20	42	WS0451040KP	26	31
SS4110515SP	30	19	SS7090710SP	38	16	WS0510002KN	32	5
SS4110515SP	36	25	SS7091110SP	14	41	WS0651310KP	26	30
SS4110715SP	20	28	SS7110540SP	4	57	WS0861410KR	34	15
SS4110915TP	10	33	SS7110740TP	12	29	WS0861410KR	38	11
SS4120615SP	2	29	SS7110740TP	18	53	WS1643202KR	32	20

## NUMERICAL INDEX OF PARTS

PART NO	PAGE	REF NO.
WT0530002KS	4	60
WZ1250300K0	18	71