

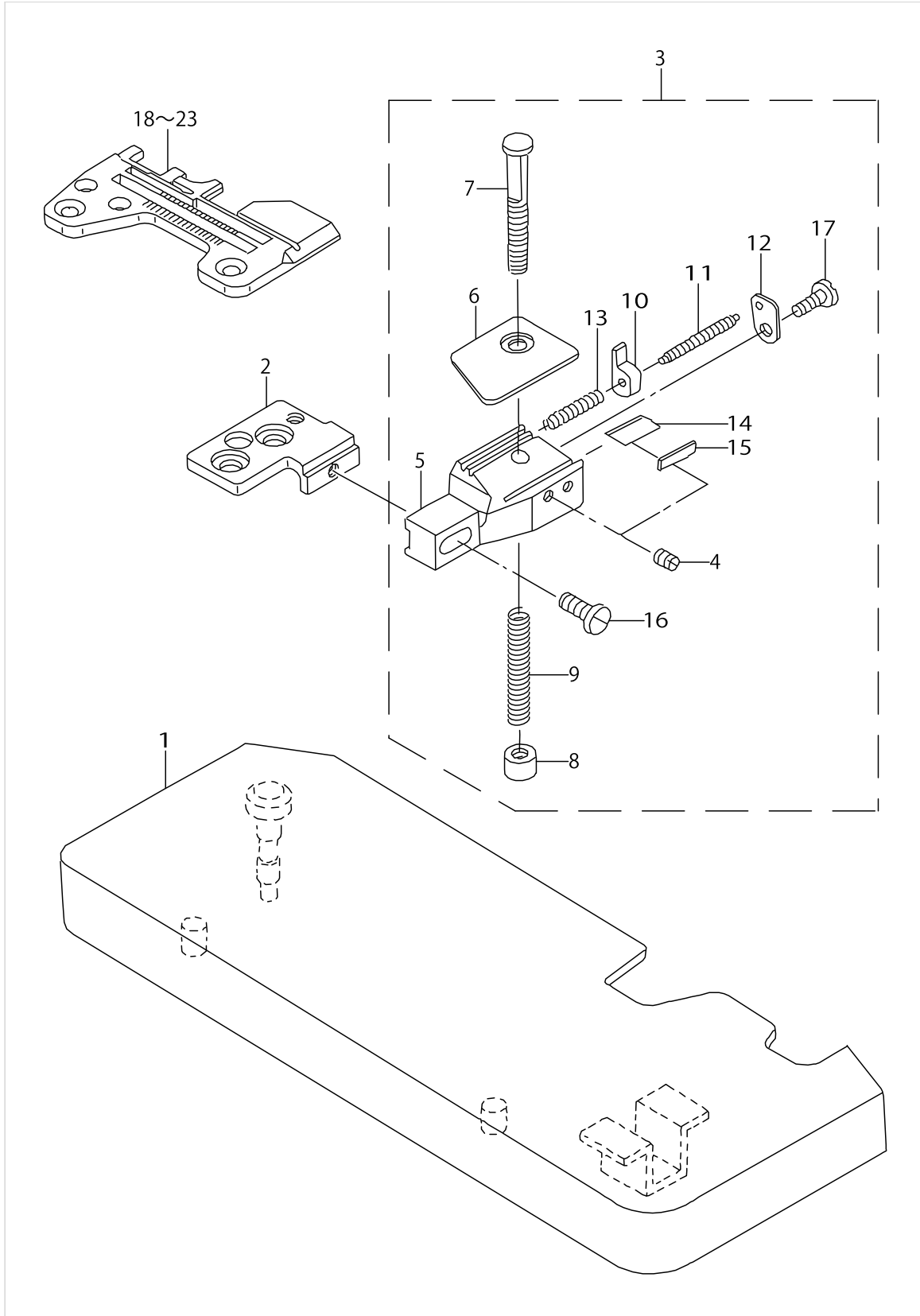
MODEL : Z173
List No : 0862-01

PARTS LIST

Published:05/12/2017

CONTENTS

Z173.....	1
HOW TO MAKE USE OF THIS PARTS LIST	3



No.	Supply Code	Parts No.	Replacement	Parts name	Remarks	Choice	Step	Level	Cons	Qty	Rep. QTY
1		11922556		CLOTH BASE ASM.						1	
2		MAZ17301000		THROAT PLATE BASE(A)						1	
3		MAZ082000C0		ROLLING INDEVICE ASM.						1	
4		SS8090410SP		SCREW 9/64-40 L=3.5				*		2	
5		MAZ08201000		HOLDER BASE				*		1	
6		MAZ08203000		REAR PRESSER PLATE				*		1	
7		MAZ08204000		REAR PRESSER RE- GULATING SHAFT				*		1	
8		MAZ08205000		REAR PRESSER RE- GULATING KNOB				*		1	
9		MAZ08206000		REAR PRESSER RE- GULATING SPRING				*		1	
10		MAZ08207000		REAR GUIDE				*		1	
11		MAZ08208000		REAR GUIDE SHAFT				*		1	
12		MAZ08209000		REAR GUIDE SHAFT BASE				*		1	
13		MAZ08210000		REAR GUIDE SPRING				*		1	
14		MAZ08211000		KNIFE				*		1	
15		MAZ08212000		KNIFE PRESSER				*		1	
16	R	SS7091110SP	SS7091110TP	SCREW 9/64-40 L=10.5				*		1	1.00
17		SS7090850SP		SCREW 9/64-40 L=8				*		1	
18		R4200J2DD00		THROAT PLATE	FOR 04B-0D4-300					1	
19		R4200J2DD0A		THROAT PLATE	FOR 04B-0D4-306					1	
20		R4200J2DD0B		THROAT PLATE	FOR 04S-0D4-300					1	
21		R4200J2ED00		THROAT PLATE	FOR 04B-0E4-300					1	
22		R4300J2DE00		THROAT PLATE	FOR 04B-0D6-300					1	
23		R4300J2EE00		THROAT PLATE	FOR 04B-0E6-300					1	

HOW TO MAKE USE OF THIS PARTS LIST

1.As to "#01" and "#02" refer to the "Note" given at the bottom of the respective pages.

2.Codes on the "Qty" column

- Each numeral indicates the number of parts required.
- "0.1" and "2.5" indicate the length (in meters) of the respective parts.

3.Parentheses mean that the corresponding part is a subpart that constructs an assembly part.

4.Dotted lines on the Figures indicate assembly parts.

1. リストページの# 0 1、# 0 2の印は、ページ下の"注記"の説明を参照下さい。
2. 数量欄の数字は、個数を表し、0. 1、2. 5等の数値は、長さ（単位メートル）を表します。
3. 数量欄の（ ）は、組部品を構成している子部品であることを意味します。
4. イラストページの-----枠は、組構成であることを意味します。

NUMERICAL INDEX OF PARTS

PART NO	PAGE	REF NO.
11922556	2	1
MAZ082000C0	2	3
MAZ08201000	2	5
MAZ08203000	2	6
MAZ08204000	2	7
MAZ08205000	2	8
MAZ08206000	2	9
MAZ08207000	2	10
MAZ08208000	2	11
MAZ08209000	2	12
MAZ08210000	2	13
MAZ08211000	2	14
MAZ08212000	2	15
MAZ17301000	2	2
R4200J2DD00	2	18
R4200J2DD0A	2	19
R4200J2DD0B	2	20
R4200J2ED00	2	21
R4300J2DE00	2	22
R4300J2EE00	2	23
SS7090850SP	2	17
SS7091110SP	2	16
SS8090410SP	2	4