

MODEL : LZ-2280 SERIES

List No : 0817-03

# PARTS LIST

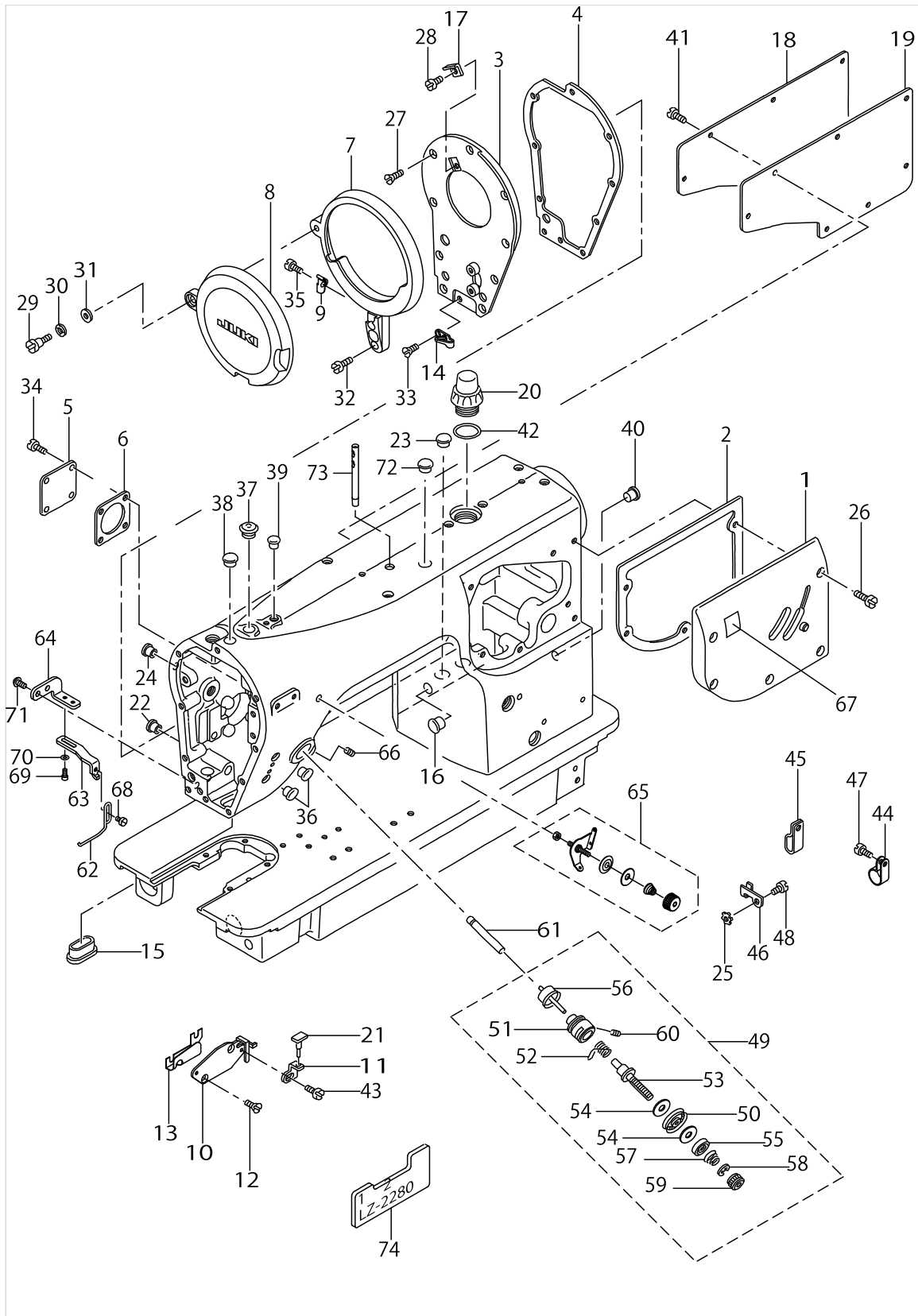
Published:05/12/2017

## CONTENTS

---

FRAME & MISCELLANEOUS COVER COMPONENTS (1) .....	1
FRAME & MISCELLANEOUS COVER COMPONENTS (2) .....	5
MAIN SHAFT&NEEDLE BAR COMPONENTS .....	7
NEEDLE VIBRATOR & ADJUSTMENT COMPONENTS (1) .....	11
NEEDLE VIBRATOR & ADJUSTMENT COMPONENTS (2) .....	13
PRESSER BAR & FEED REGULATOR COMPONENTS .....	17
FEED MECHANISM & CONDENSE COMPONENTS .....	21
FEED MECHANISM COMPONENTS.....	23
HOOK DRIVING SHAFT & HOOK COMPONENTS .....	27
LUBRICATION COMPONENTS .....	31
THREAD TRIMMER MECHANISM COMPONENTS.....	35
UPPER THREAD FEEDER COMPONENTS.....	39
AUTOMATIC REVERSE FEED MECHANISM COMPONENTS .....	41
WIPER MECHANISM COMPONENTS.....	43
THREAD STAND COMPONENTS (1).....	45
THREAD STAND COMPONENTS(2).....	47
BELT COVER COMPONENTS.....	49
OIL RESERVOIR & KNEE LIFTER COMPONENTS.....	51
EXCLUSIVE PARTS FOR LZ-2286 .....	53
EXCLUSIVE PARTS FOR LZ-2285(1) .....	57
EXCLUSIVE PARTS FOR LZ-2285(2) .....	61
EXCLUSIVE PARTS FOR LZ-2287 .....	65
EXCLUSIVE PARTS FOR LZ-2281(-7).....	69
EXCLUSIVE PARTS FOR LZ-2288 .....	71
SPECIAL ORDER PARTS FOR LZ-2280,2281,2286,2288.....	75
EXCLUSIVE PARTS FOR R TYPE.....	77
HOW TO MAKE USE OF THIS PARTS LIST .....	79

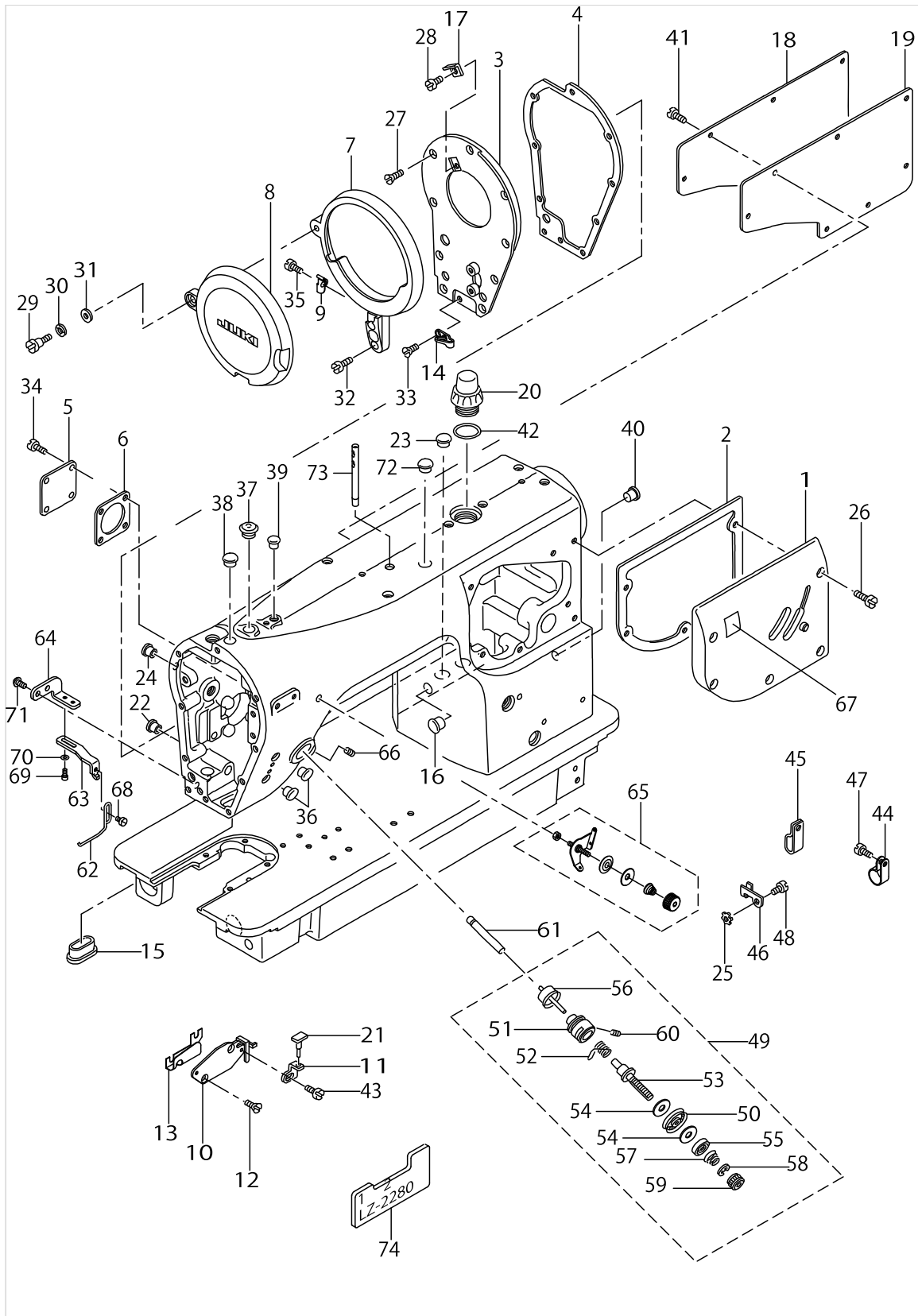
FRAME & MISCELLANEOUS COVER COMPONENTS (1)



FRAME & MISCELLANEOUS COVER COMPONENTS (1)

No.	Supply Code	Parts No.	Replacement	Parts name	Remarks	Choice	Step	Level	Cons	Qty	Rep. QTY
1		22501159		SIDE COVER COMPL.						1	
2		22501209		GASKET						1	
3	R	22501357	23500952	FACE PLATE COMPL.						1	1.00
4		22501506		GASKET						1	
5		22501605		TENSION RELEASE WINDOW PLATE						1	
6		22501704		GASKET						1	
7	R	22502009	26305102	BALANCE COVER BASE						1	1.00
8		22502108		BALANCE COVER						1	
9	R	22502207	26305300	SPRING						1	1.00
10	D	22502603		BALANCE THREAD GUIDE						1	
11		22502702		SPRING GUARD						1	
12	R	22502801	SS1110840SP	SCREW						2	1.00
13	D	22502900		BALANCE THREAD GUIDE COVER						1	
14	R	22503007	26305409	SPRING GUARD						1	1.00
15		10000206		ARM OIL SHIELD						1	
16		TA1050604R0		RUBBER PLUG						1	
17		10001709		TAKE-UP THREAD CUTTER						1	
18	R	11070901	22900401	SIDE PLATE						1	1.00
19	R	11000619	40012129	GASKET						1	1.00
20	R	11046604	22924708	OIL SIGHT WINDOW						1	1.00
21		11043601		RUBBER STOPPER						1	
22		TA0800504R0		PLUG D=8 L=4.5						1	
23		TA1050604R0		RUBBER PLUG						2	
24		TA0750404R0		PLUG D=7.5 L=3.5						1	
25		WT0530002KS		TOOTHED WASHER D=5.3	FOR LZ-22-80-7,LZ-2286-7					1	
26		SS4121415SP		SCREW 3/16-28 L=14						5	
27		SS1110840SP		SCREW 11/64-40 L=8						9	
28		SS7080410SP		SCREW 1/8-44 L= 3.8						1	
29		SD0640751SP		HINGE SCREW D= 6.35 H= 7.5						1	
30		WZ0641510KP		WAVED WASHER 6.4X11X0.3						1	
31		WP0651056SD		WASHER 6.5X11X1						1	
32		SS4110915SP		SCREW 11/64-40 L=9						2	
33	R	SS2090710SP	SS2090710TP	SCREW 9/64-40 L=7						1	1.00
34		SS4120615SP		SCREW 3/16-28 L=6						4	
35		SS6120620TP		SCREW						1	
36		TA0900707R0		RUBBER PLUG						2	
37		TA1250705R0		RUBBER PLUG						1	
38		TA1100604R0		RUBBER PLUG						1	
39		TA0750704R0		RUBBER PLUG						1	
40		TA0750704R0		RUBBER PLUG						1	
41		SS4121015SP		SCREW 3/16-28 L=10						8	
42		RO195240100		RUBBER RING						1	
43		SS5090420SP		SCREW 9/64-40 L=3.5						1	
44		EA9502B0200		CABLE CLIP C	FOR LZ-22-80-7,LZ-2286-7					1	
45		D2112555B00		CORD HOLDER, LARGE	FOR LZ-22-80-7,LZ-2286-7					2	

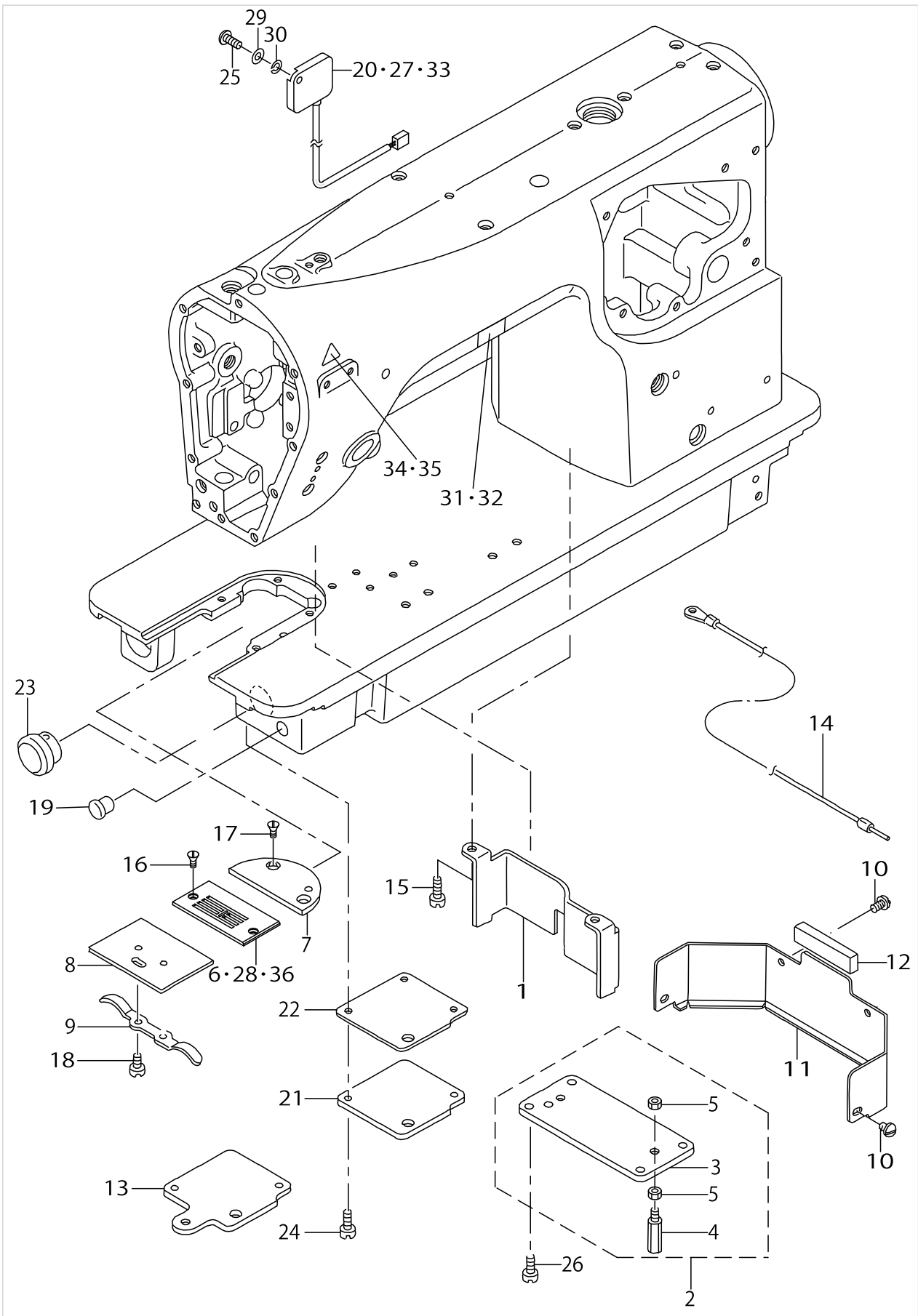
FRAME & MISCELLANEOUS COVER COMPONENTS (1)



FRAME & MISCELLANEOUS COVER COMPONENTS (1)

No.	Supply Code	Parts No.	Replacement	Parts name	Remarks	Choice	Step	Level	Cons	Qty	Rep. QTY
46		11030301		CABLE HOLDER	FOR LZ-22-80-7,LZ-2286-7					1	
47		SS4121015SP		SCREW 3/16-28 L=10	FOR LZ-22-80-7,LZ-2286-7					1	
48		SS4121015SP		SCREW 3/16-28 L=10	FOR LZ-22-80-7,LZ-2286-7					1	
49	R	22528053	22528061	THREAD TENSION ASM.						1	1.00
50	R	22528350	23547557	THREAD TENSION DISK COMPL.				*		1	1.00
51		22528152		THREAD TENSION ROD ASM.				*		1	
52		10006104		TAKE-UP SPRING				*		1	
53	R	10005650	10005668	TENSION POST ASM.				*		1	1.00
54		22528509		FELT				*		2	
55		10006005		TENSION DISC HOLDER				*		1	
56		10007854		TENSION RELEASE PIN ASM.				*		1	
57		B3129012A00		TENSION SPRING				*		1	
58		B3120125000		ROTATING STOPPER				*		1	
59		B3116125000		TENSION NUT				*		1	
60		SS8090670SP		SCREW 9/64-40L=5.5				*		1	
61	R	22528608	22528616	THREAD RELEASE						1	1.00
62		22529002		SUPPORT BALANCE						1	
63		22529101		SUPPORT BALANCE BASE						1	
64		22529200		MOUNTING BASE						1	
65	R	22528764	40050700	PRE-TENSION CONTROLLER ASM.						1	1.00
66		SS8110750SP		SCREW 11/64-40 L= 6.5						1	
67		22542708		OPERATION SEAL	FOR LZ-22-81,LZ-2281-7					1	
68		SS6090540SP		SCREW 9/64-40 L= 5.0						1	
69		SS6580752TP		SCREW 1/8-40 L=7						2	
70		WP03305000E		WASHER 3.3X6X0.5						2	
71		SS4110915SP		SCREW 11/64-40 L=9						2	
72		TA1250705R0		RUBBER PLUG						1	
73		22502504		THREAD GUIDE BAR						1	
74	D	22535801		TIMING GAUGE						1	

FRAME & MISCELLANEOUS COVER COMPONENTS (2)

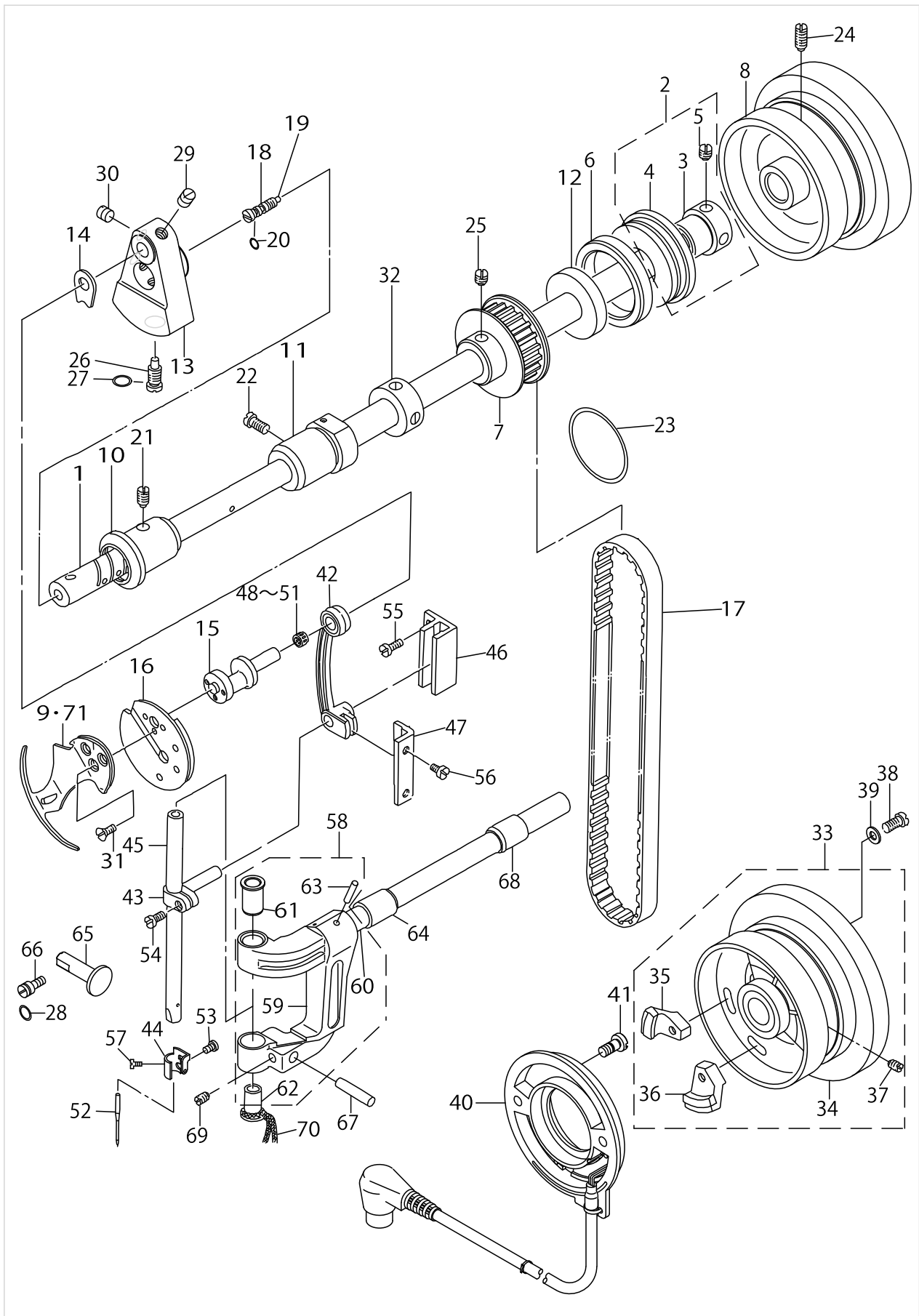


FRAME & MISCELLANEOUS COVER COMPONENTS (2)

No.	Supply Code	Parts No.	Replacement	Parts name	Remarks	Choice	Step	Level	Cons	Qty	Rep. QTY
1	R	22501803	26304907	SUPPORT PLATE						1	1.00
2	R	22501951	40108981	HELICAL GEAR BOX COVER ASM.						1	1.00
3	R	22501902	26305003	HELICAL GEAR BOX COVER				*		1	1.00
4		10100410		BED SCREW STUD				*		2	
5		NS6700320SP		NUT 5/16-24				*		4	
6		22548010		THROAT PLATE	VARIOUS NOS.FOR DESTINATIONS					1	
7	R	10004208	26300103	BED PLATE						1	1.00
8	R	10004307	26314757	BED SLIDE						1	1.00
9		11001609		BED SLIDE SPRING						1	
10		SS4110515SP		SCREW 11/64-40 L=5						2	
11		10037307		OIL SHIELD PLATE						1	
12		10037406		OIL SHIELD RUBBER						1	
13		22552400		HELICAL BEVEL GE-AR BOX COVER	FOR LZ-22-80-7,LZ-2286-7					1	
14	R	11044054	22951552	GROUND WIRE ASM.	FOR LZ-22-80-7,LZ-2286-7					1	1.00
15		SS4111215SP		SCREW 11/64-40L=12						2	
16		SS2090810SP		SCREW 9/64-40L=7.5						2	
17		SS2090810SP		SCREW 9/64-40L=7.5						2	
18		SS6060210SP		SCREW 3/32-56L=1.9						2	
19		TA0950806R0		RUBBER PLUG						1	
20	D	M6093350AAS		RESISTANCE PACK AS ASM.	FOR LZ-2280-7					1	
21		10031805		HELICAL BEVEL GE-AR BOX COVER						1	
22		10031904		GASKET						1	
23		10032001		NYLON CAP						1	
24		SS4110915SP		SCREW 11/64-40 L=9						3	
25		SS4121215SP		SCREW 3/16-28 L=12	FOR LZ-22-80-7,LZ-2286-7					1	
26		SS4110915SP		SCREW 11/64-40 L=9						4	
27		M6093350AAL		RESISTANCE PACK AL ASM.	VARIOUS NOS.FOR DESTINATIONS					1	
28		22545008		THROAT PLATE	VARIOUS NOS.FOR DESTINATIONS					1	
29		WP0501016SD		WASHER 5X10.5X1						1	
30		WS0510002KP		SPRING WASHER 5.1X9.2X1.3						1	
31		CM300200101		SAFETY LABEL 1	VARIOUS NOS.FOR DESTINATIONS					1	
32		CM3002001A1		SAFETY LABEL 3	VARIOUS NOS.FOR DESTINATIONS					1	
33		M6093350AAF		RESISTANCE PACK ASM.						1	
34		CM3002000A1		SEAL	VARIOUS NOS.FOR DESTINATIONS					1	
35		CM300200001		ATTENTION SEAL	VARIOUS NOS.FOR DESTINATIONS					1	
36		22548705		THROAT PLATE	VARIOUS NOS.FOR DESTINATIONS					1	



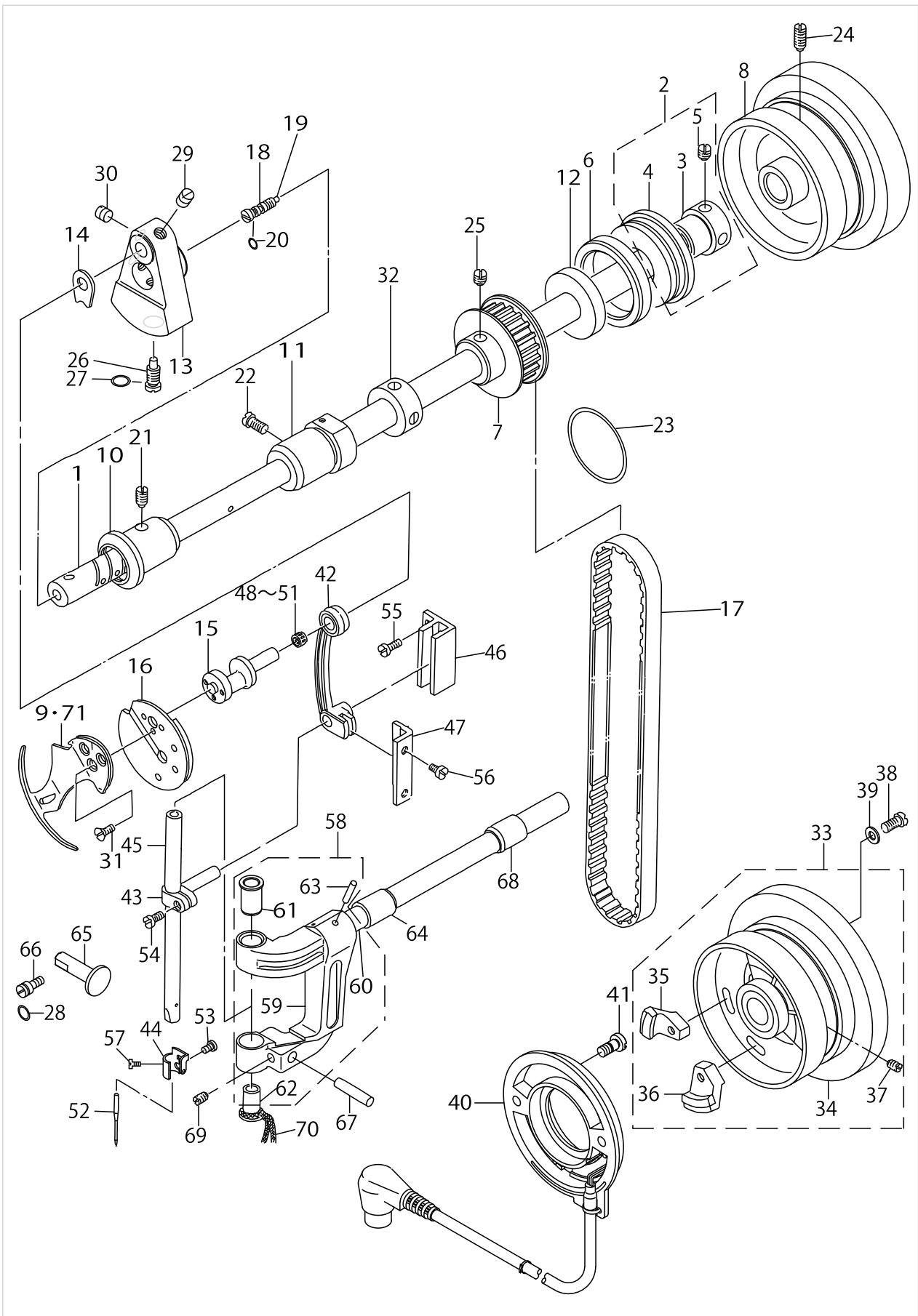
MAIN SHAFTA NEEDLE BAR COMPONENTS



MAIN SHAFTAENEEDLE BAR COMPONENTS

No.	Supply Code	Parts No.	Replacement	Parts name	Remarks	Choice	Step	Level	Cons	Qty	Rep. QTY
1	R	22505101	40101683	MAIN SHAFT		A				1	1.00
1	R	22505101	40109128	MAIN SHAFT		A				1	1.00
2		22505259		THRUST COLLAR ASM.						1	
3		22505200		THRUST COLLAR				*		1	
4		SB120000100		BEARING D=20X47				*		1	
5		SS8660610TP		SCREW 1/4-40 L=6				*		2	
6	R	22505309	26305516	OIL SEAL COLLAR						1	1.00
7	R	22505408	40044872	SPROCKET						1	1.00
8		22505507		HAND WHEEL						1	
9		22506109		BALANCE						1	
10	R	10008100	40040372	MAIN SHAFT BUSHING, FRONT						1	1.00
11		B1203227000A		MAIN SHAFT BUSHING, INTERMEDIA						1	
12		B1208552000A		OIL SEAL						1	
13	R	10008407	26300202	COUNTERWEIGHT						1	1.00
14		10008506		COUNTERWEIGHT PROTECTING PLATE						1	
15	R	10008605	26300301	NEEDLE BAR CRANK						1	1.00
16		10008753		TAKE-UP COUNTERWEIGHT ASM.						1	
17		22505705		TIMING BELT						1	
18	R	10035608	26304402	PIN						1	1.00
19		B1810552000		OIL WICK						1	
20		RO029180100		RUBBER RING						1	
21	R	SS8151150SP	SS8151150TP	SCREW 15/64-28 L=10.5						1	1.00
22		SS7151120SP		SCREW 15/64-28L=11						1	
23		RO437200200		RUBBER RING						1	
24		SS8151550SP		SCREW 15/64-28L=15						2	
25		SS8660610TP		SCREW 1/4-40 L=6						2	
26		SS7681650TP		SCREW 9/32-28 L=16						1	
27		RO044240100		RUBBER RING						1	
28		RO048190100		RUBBER RING						1	
29		SS8660610TP		SCREW 1/4-40 L=6						2	
30		SS8660610TP		SCREW 1/4-40 L=6						2	
31		SS1090930SP		SCREW 9/64-40 L=8.6						3	
32	R	CS147121ASH	22904155	THRUST COLLAR ASM. D=14.72 W=12						1	1.00
33		22551568		HAND WHEEL ASM.	FOR LZ-22-80-7,LZ-2286-7					1	
34		22551550		HAND WHEEL COMPL.	FOR LZ-22-80-7,LZ-2286-7			*		1	
35		M40071100AB		MAGNET FITTING BASE B ASM.	FOR LZ-22-80-7,LZ-2286-7			*		1	
36		M40071100AA		MAGNET FITTING BASE A ASM.	FOR LZ-22-80-7,LZ-2286-7			*		1	
37		SS8151550SP		SCREW 15/64-28L=15				*		2	
38		SS6111210SP		SCREW 11/64-40L=12	FOR LZ-22-80-7,LZ-2286-7					2	
39		WP0450801SD		WASHER 4.5X10X0.8	FOR LZ-22-80-7,LZ-2286-7					2	
40	R	11032562	22937965	DYNAMO STATOR	FOR LZ-22-80-7,LZ-2286-7					1	1.00
41		10604809		SCREW	FOR LZ-22-80-7,LZ-2286-7					2	

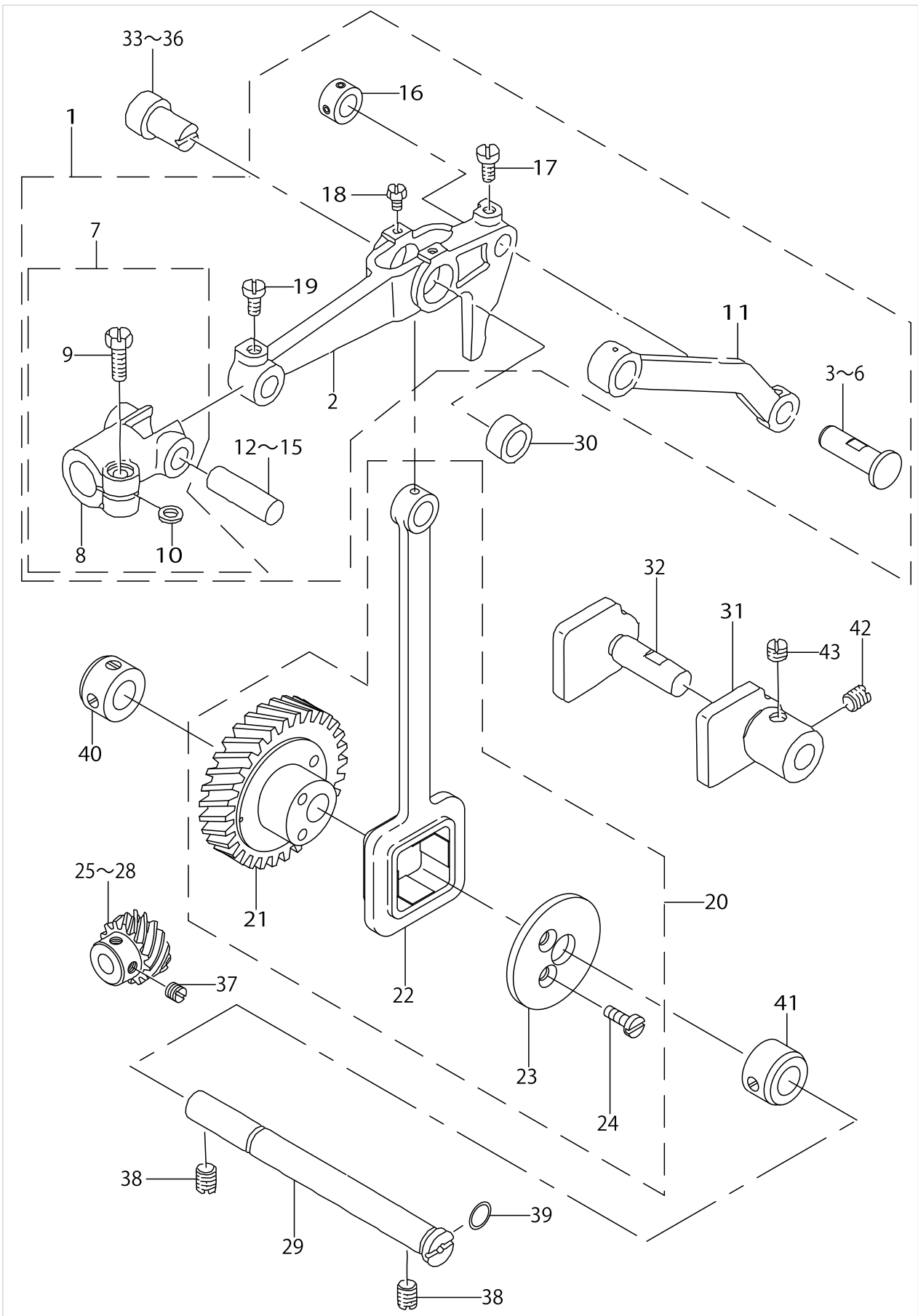
MAIN SHAFTA NEEDLE BAR COMPONENTS



MAIN SHAFTAENEEDLE BAR COMPONENTS

No.	Supply Code	Parts No.	Replacement	Parts name	Remarks	Choice	Step	Level	Cons	Qty	Rep. QTY
42	R	22507156	40082351	NEEDLE BAR CRANK ROD ASM.						1	1.00
43	R	22507305	40056873	NEEDLE BAR CONNECTION						1	1.00
44		22507404		THREAD RACK						1	
45	R	22507503	40015494	NEEDLE ROD						1	1.00
46	D	10010304		GUIDE BLOCK						1	
47	R	10010502	26300400	CRANK ROD GUIDE						1	1.00
48		B1905541A00		NEEDLE BEARING, A	SELECTIVE PART					1	
49		B1905541B00		NEEDLE BEARING B	SELECTIVE PART					1	
50		B1905541C00		NEEDLE BEARING C	SELECTIVE PART					1	
51		B1905541D00		NEEDLE BEARING D	SELECTIVE PART					1	
52		MC192300750		NEEDLE 438 #75	VARIOUS NOS.FOR DESTINATIONS					1	
53		SS7080520SP		SCREW 1/8-44 L=4.9						1	
54		SS7090910TP		SCREW 9/64-40 L=8.5						1	
55		SS4110915SP		SCREW 11/64-40 L=9						2	
56		SS4110715SP		SCREW 11/64-40 L=7						2	
57		SS7060310SP		SCREW 3/32-56 L=3						1	
58	R	22509152	26300962	NEEDLE BAR YOKE ASM.						1	1.00
59	R	22509103	26300913	NEEDLE BAR YOKE				*		1	1.00
60		22509202		SHAFT				*		1	
61		10013019		NEEDLE BAR BUSHING, UPPER D=7.				*		1	
62		10013118		NEEDLE BAR BUSHING, LOWER D=7.				*		1	
63		PS0400202KH		SPRING PIN 4X20				*		1	
64	R	11010907	22913008	FEED ROCKER SHAFT BUSHING						1	1.00
65	R	22509400	26305904	NEEDLE BAR YOKE PRESSER						1	1.00
66	R	22509509	26306001	SCREW						1	1.00
67		10013407		GUIDE PIN						1	
68		10013803		SHAFT BUSHING, REAR						1	
69		SS8120740SP		SCREW 3/16-28 L=7						1	
70		CQ202000000		OIL WICK						.1	
71		22506208		BALANCE V	SPECIAL ORDER PART					1	

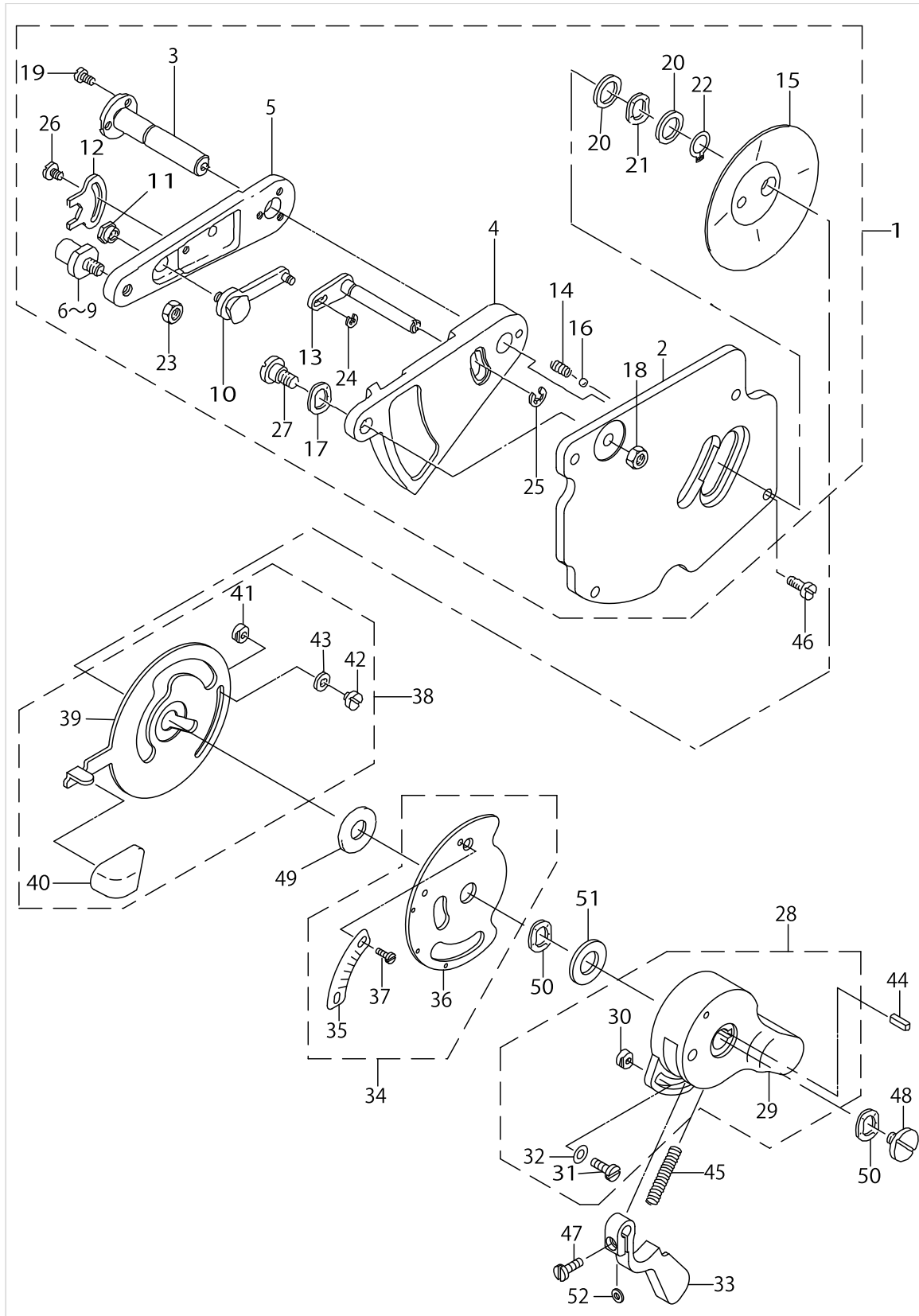
NEEDLE VIBRATOR & ADJUSTMENT COMPONENTS (1)



NEEDLE VIBRATOR & ADJUSTMENT COMPONENTS (1)

No.	Supply Code	Parts No.	Replacement	Parts name	Remarks	Choice	Step	Level	Cons	Qty	Rep. QTY
1	D	22509756		DRIVE LINK ASM.						1	
2	R	22509707	SM8050812TP	DRIVE LINK		A		*		1	2.00
2	R	22509707	40065490	DRIVE LINK		A		*		1	1.00
3	R	22513105	26307603	LINK	SELECTIVE PART			*		1	1.00
4		22512909		SHAFT	SELECTIVE PART			*		1	
5	D	22513006		SHAFT	SELECTIVE PART			*		1	
6	R	22513204	26307702	SHAFT	SELECTIVE PART			*		1	1.00
7	R	22509657	40056375	SHAFT CONNECTION ASM.				*		1	1.00
8	R	22509608	40056375	SHAFT CONNECTION				*		1	1.00
9		SS7121410TP		SCREW 3/16-28 L=14				*		1	
10		WP0510516SD		WASHER 5.1X7.5X0.5				*		1	
11	R	10016608	26302307	LINK				*		1	1.00
12		10012904		PIN D	SELECTIVE PART			*		1	
13		10012607		PIN A	SELECTIVE PART			*		1	
14		10012706		PIN B	SELECTIVE PART			*		1	
15		10012805		PIN C	SELECTIVE PART			*		1	
16		GS0790720TH		THRUST COLLAR ASM.				*		1	
17		SS7110910TP		SCREW 11/64-40 L= 8.5				*		1	
18		SS9090610TP		SCREW 9/64-40 L=5.5				*		2	
19		SS7110910TP		SCREW 11/64-40 L= 8.5				*		1	
20		22510051		NEEDLE VIBRATING CAM ASM.						1	
21		22510002		NEEDLE VIBRATING CAM				*		1	
22		22510101		NEEDLE VIBRATING ROD				*		1	
23		22510200		CAM COVER				*		1	
24		SS2110920TP		SCREW 11/64-40 L=8.5				*		2	
25		10011005		SCREW GEAR A	SELECTIVE PART					1	
26		10011104		SCREW GEAR B	SELECTIVE PART					1	
27		10011203		SCREW GEAR C	SELECTIVE PART					1	
28		10011302		SCREW GEAR D	SELECTIVE PART					1	
29	D	10011500		SHAFT						1	
30		10012201		BUSHING						1	
31		10012409		DRIVE LINK GUIDE A						1	
32	D	10012508		DRIVE LINK GUIDE B						1	
33	R	10011807	26301002	PIN A	SELECTIVE PART					1	1.00
34	R	10011906	26301101	PIN B	SELECTIVE PART					1	1.00
35	R	10012003	26301200	PIN C	SELECTIVE PART					1	1.00
36	R	10012102	26301309	PIN D	SELECTIVE PART					1	1.00
37		SS8660610TP		SCREW 1/4-40 L=6						2	
38		SS8660970TP		SCREW 1/4-40 L= 8.5						2	
39		RO069180100		RUBBER RING						1	
40		GS1031210SH		THRUST COLLAR A- SM. D=10.32 W=1						1	
41		GS103121BSH		THRUST COLLAR A- SM. D=10.32 W=1						1	
42	R	SS8150710SP	SS8150710TP	SCREW 15/64-28 L=7						1	1.00
43	R	SS8150410SP	SS8150410TP	SCREW 15/64-28 L=4						1	1.00

NEEDLE VIBRATOR & ADJUSTMENT COMPONENTS (2)

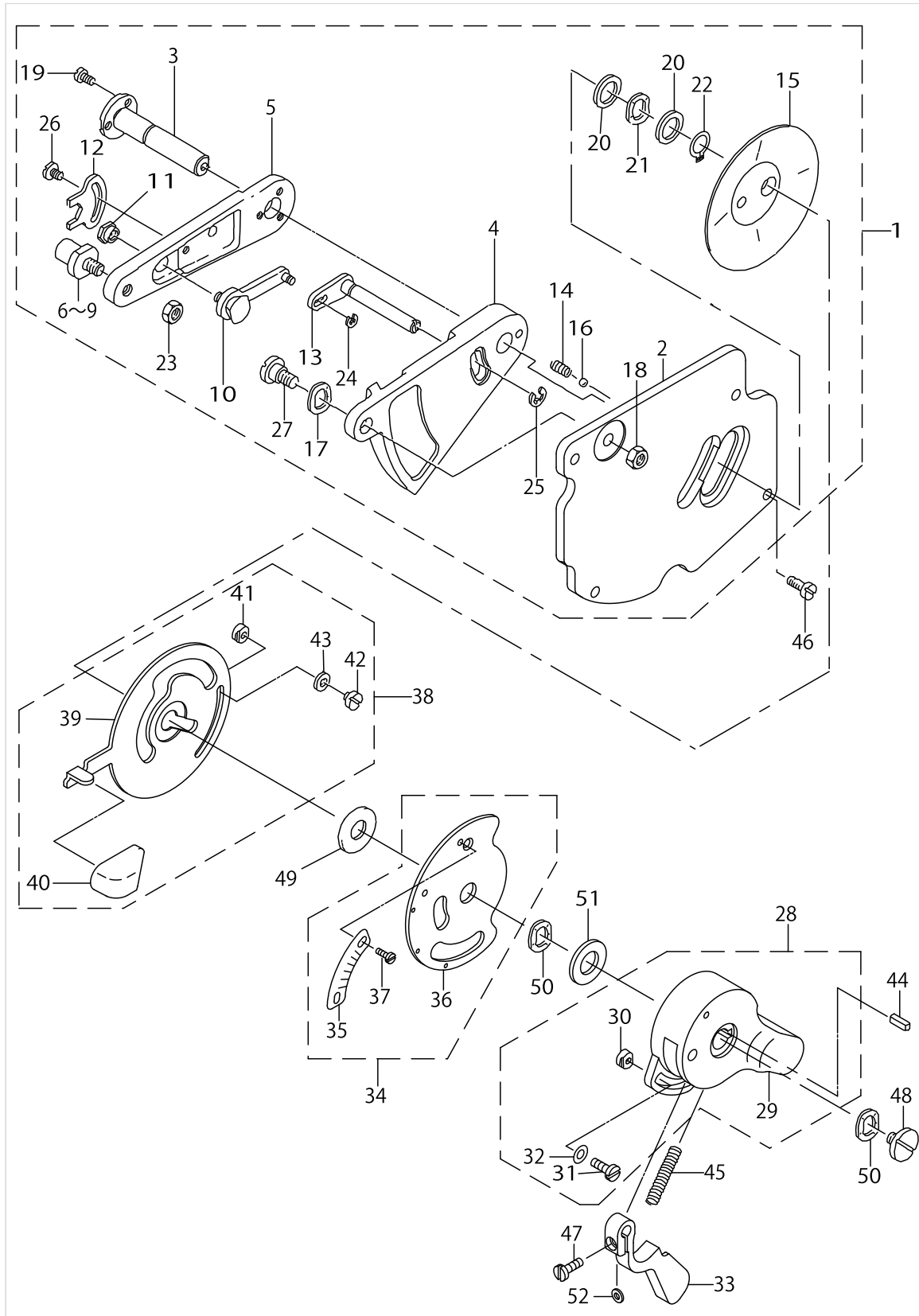


NEEDLE VIBRATOR & ADJUSTMENT COMPONENTS (2)

No.	Supply Code	Parts No.	Replacement	Parts name	Remarks	Choice	Step	Level	Cons	Qty	Rep. QTY
1		22512057		BASE ASM.						1	
2	R	22512008	26306506	BASE MOUNTING PLATE				*		1	1.00
3	R	22512701	26307306	SHAFT				*		1	1.00
4	R	10017317	26302703	NEEDLE POSITION ADJUSTING BASE				*		1	1.00
5	R	10016012	26301507	ARM				*		1	1.00
6		10016517		SHAFT D	SELECTIVE PART			*		1	
7		10016210		SHAFT A	SELECTIVE PART			*		1	
8		10016319		SHAFT B	SELECTIVE PART			*		1	
9		10016418		SHAFT C	SELECTIVE PART			*		1	
10		10017168		STOPPER ASM.				*		1	
11		10018000		NUT				*		1	
12		10018109		NUT STOPPER				*		1	
13		10015360		LEVER ASM.				*		1	
14		10017408		SPRING				*		1	
15		10017606		OIL SHIELD				*		1	
16		B2608761000		HAND STOP CRANK SHAFT BALL				*		1	
17		WZ0850302K0		WAVED WASHER 8.5X12.5X0.3				*		3	
18		NS6150310SP		NUT 15/64-28				*		1	
19	R	SS6090620SP	SS6090620TP	SCREW 9/64-40 L=6				*		3	1.00
20		WP1020616SD		WASHER				*		2	
21		WZ1052010KP		WAVED WASHER				*		1	
22		RC0100001KP		SNAP RING M10				*		1	
23		NS6150310SP		NUT 15/64-28				*		1	
24		RE0200000K0		E-RING				*		1	
25		RE0400000K0		E-RING 4				*		1	
26		SS6090520SP		SCREW 9/64-40 L= 5.0				*		1	
27		SD0800402TP		HINGE SCREW D= 8 H= 4				*		1	
28		22512156		KNOB ASM.						1	
29	R	22512107	22512156	KNOB				*		1	1.00
30		10015907		LEVER STOPPER				*		2	
31		SS4090610SP		SCREW 9/64-40 L=6				*		2	
32		WP0371016SD		WASHER 3.7X8X1				*		2	
33	R	22512206	26306803	LEVER						1	1.00
34	R	22512354	22512362	SCALE PLATE ASM.						1	1.00
35	R	22512305	22512313	SCALE PLATE				*		1	1.00
36	R	22512453	26306951	SCALE MOUNTING BASE COMPL.				*		1	1.00
37		SS6080320SP		SCREW 1/8-44 L= 2.5				*		2	
38	R	22512552	26307157	LEVER ASM.						1	1.00
39	D	22512503		LEVER				*		1	
40		22512602		KNOB				*		1	
41		10015907		LEVER STOPPER				*		2	
42		SS7090410SP		SCREW 9/64-40 L= 3.5				*		2	
43		WP0371016SD		WASHER 3.7X8X1				*		2	
44		10015105		KEY						1	
45		10017705		SPRING						1	
46		SS4121015SP		SCREW 3/16-28 L=10						4	



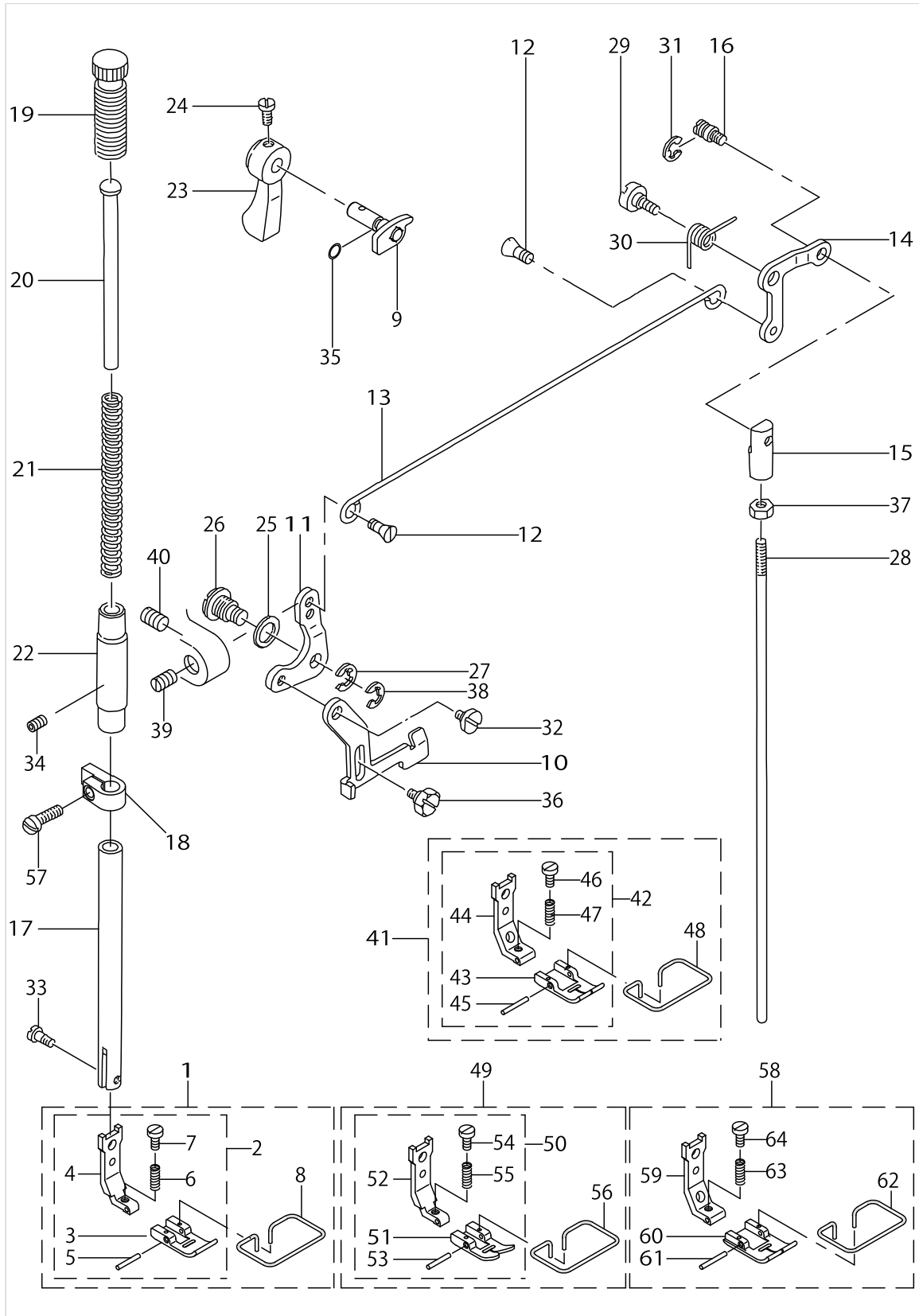
NEEDLE VIBRATOR & ADJUSTMENT COMPONENTS (2)



NEEDLE VIBRATOR & ADJUSTMENT COMPONENTS (2)

No.	Supply Code	Parts No.	Replacement	Parts name	Remarks	Choice	Step	Level	Cons	Qty	Rep. QTY
47		SS7090910TP		SCREW 9/64-40 L=8.5						1	
48		SS7620750SP		SCREW 3/16-32 L=6.5						1	
49		WP1021016SD		WASHER						1	
50		WZ1052010KP		WAVED WASHER						2	
51		WP1020616SD		WASHER						1	
52		WP0371036SD		WASHER 3.7X6X1						1	

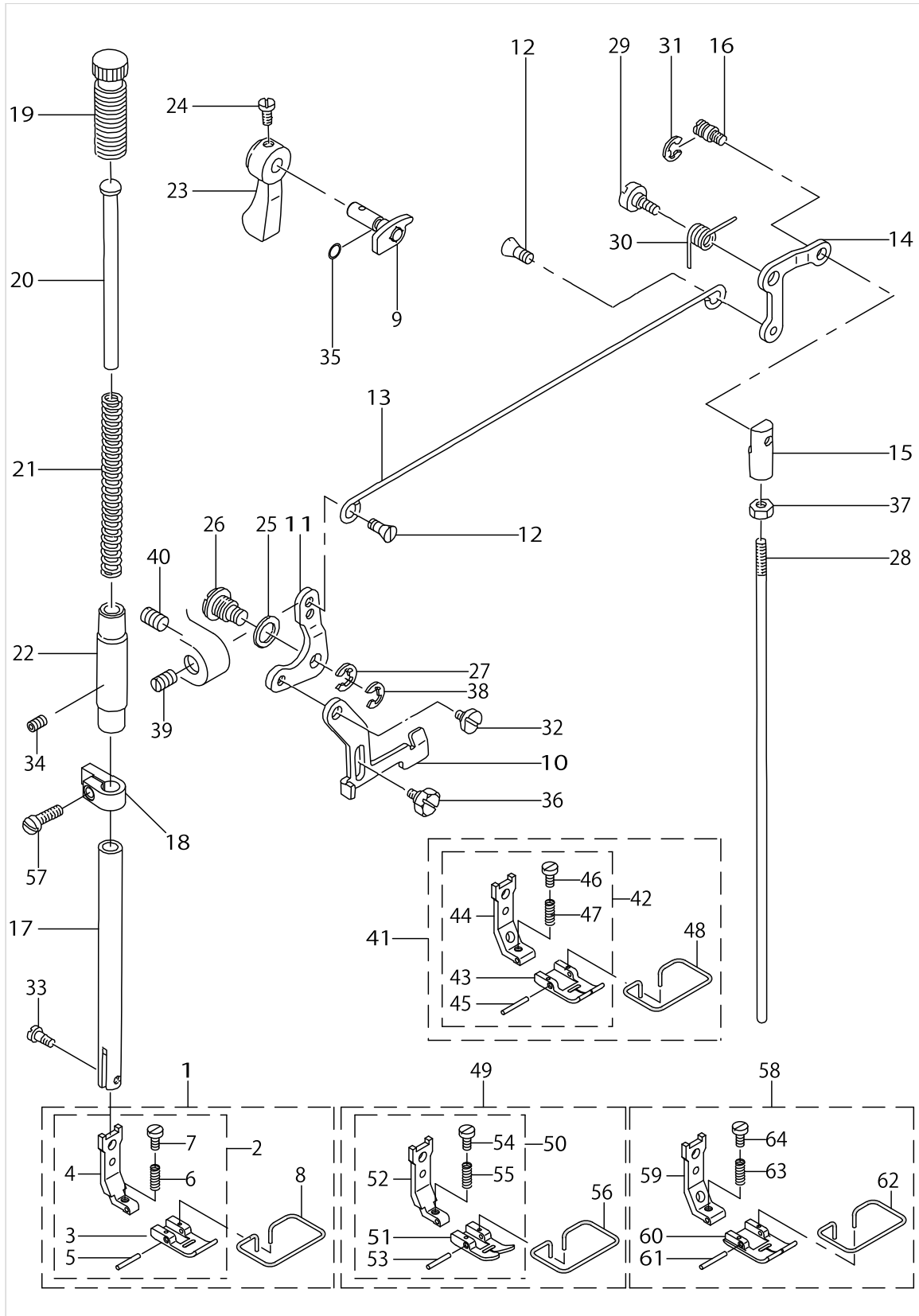
PRESSER BAR & FEED REGULATOR COMPONENTS



PRESSER BAR & FEED REGULATOR COMPONENTS

No.	Supply Code	Parts No.	Replacement	Parts name	Remarks	Choice	Step	Level	Cons	Qty	Rep. QTY
1		22547962		PRESSER FOOT ASM.	VARIOUS NOS.FOR DESTINATIONS					1	
2	R	22547954	22547962	PRESSER FOOT ASM.				*		1	1.00
3		22547905		PRESSER FOOT (LOWER)				*		1	
4	R	22546808	22546964	PRESSER FOOT (UPPER)			A	A:	*	1	1.00
4	R	22546808	22547962	PRESSER FOOT (UPPER)		B	B:	*	1	1.00	
4	R	22546808	22548663	PRESSER FOOT (UPPER)		C	C:	*	1	1.00	
4	R	22546808	22549869	PRESSER FOOT (UPPER)		D	D:	*	1	1.00	
5	D	22547806		PRESSER PIN				*		1	
6		B1525582000		SPRING				*		1	
7		SS6090810SP		SCREW 9/64-40 L= 7.5				*		1	
8		22547004		SAFETY COVER				*		1	
9	R	22515357	26307850	HAND LIFTER CAM COMPL.						1	1.00
10	R	22515506	26308007	LIFTING LEVER						1	1.00
11		B1516552000		LIFTING LEVER LINK						1	
12	R	11007101	22908909	HINGE SCREW						2	1.00
13	R	11006905	22908305	LIFTING LEVER CONNECTING ROD						1	1.00
14		B3414555000		LIFTING LEVER LINK ARM						1	
15		B3416555000		SWIVEL						1	
16		B3416552000		CONNECTING ROD HINGE SCREW						1	
17	R	10022010	40125469	PRESSER BAR						1	1.00
18	R	10022309	26302901	PRESSER BAR GUIDE BRACKET						1	1.00
19	R	11071602	22907554	PRESSER SPRING REGULATOR						1	1.00
20	R	B1510227000	22907703	PRESSER GUIDE BAR						1	1.00
21	R	B1505227000A	22907406	PRESSER SPRING						1	1.00
22	R	B1502541000	22907109	PRESSER BAR BUSHING, LOWER						1	1.00
23	R	11071800	22907802	HAND LIFTER						1	1.00
24		B1521555000		SCREW						1	
25		B3431581000		LIFTING LEVER GASKET						1	
26		B1517552000		HINGE PIN						1	
27		B1523226000		SNAP RING						1	
28		10022606		CONNECTING ROD, VERTICAL						1	
29		GAK33041000		KNEE LIFTING LINK STEP-SCREW						1	
30		GAK33042000		KNEE LIFTING LINK SPRING						1	
31		RE0500000K0		E-RING						1	
32		SD0630301SP		HINGE SCREW D=6.35 H=3						1	
33		SS7090910TP		SCREW 9/64-40 L= 8.5						1	
34	R	SS8150710SP	SS8150710TP	SCREW 15/64-28 L=7						1	1.00
35		RO037180100		RUBBER RING						1	
36		SD0630275SP		HINGE SCREW D= 6.35 H= 2.7						1	
37		NS6620310SP		NUT 3/16-32						1	
38		RE0600000K0		E-RING 6						1	
39		SS8151720SP		SCREW						1	
40		SS8150510TP		SCREW 15/64-28 L= 4.7						1	
41		22545362		PRESSER FOOT ASM.	VARIOUS NOS.FOR DESTINATIONS					1	

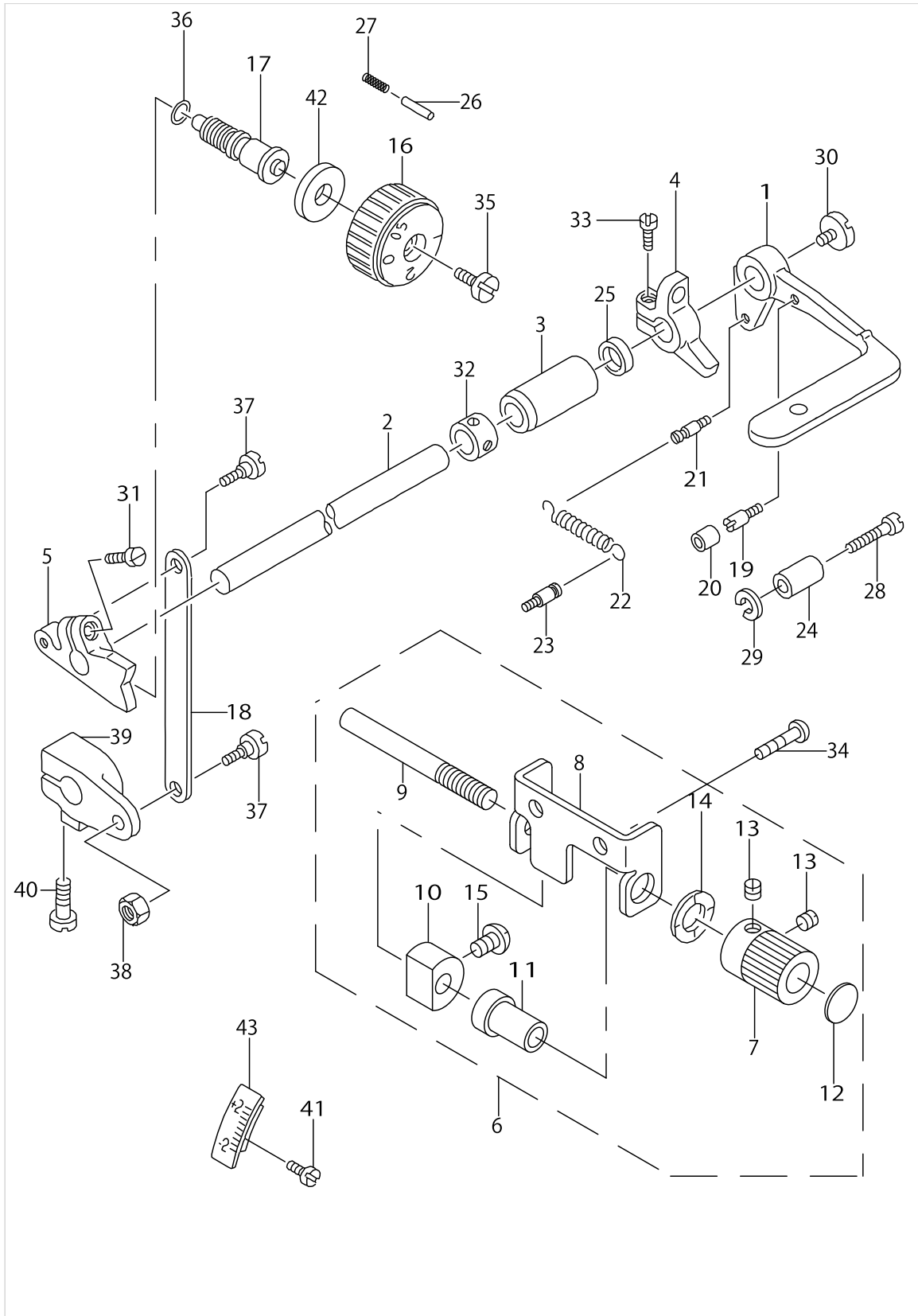
PRESSER BAR & FEED REGULATOR COMPONENTS



PRESSER BAR & FEED REGULATOR COMPONENTS

No.	Supply Code	Parts No.	Replacement	Parts name	Remarks	Choice	Step	Level	Cons	Qty	Rep. QTY	
42	R	22545354	22545362	PRESSER FOOT ASM.	VARIOUS NOS.FOR DESTINATIONS			*		1	1.00	
43		22545305		PRESSER FOOT (LOWER)				*		1		
44	R	22545206	22547558	PRESSER FOOT (UPPER)				*		1	1.00	
45		10021103		PRESSER PIN				*		1		
46		SS6090810SP		SCREW 9/64-40 L= 7.5				*		1		
47		B1525582000		SPRING				*		1		
48		22545404		SAFETY COVER				*		1		
49		22548663		PRESSER FOOT ASM.						1		
50	R	22548655	22548663	PRESSER FOOT ASM.					*		1	1.00
51		22548606		PRESSER (LOWER)					*		1	
52	R	22546808	22546964	PRESSER (UPPER)		A	A:	*		1	1.00	
52	R	22546808	22547962	PRESSER (UPPER)		B	B:	*		1	1.00	
52	R	22546808	22548663	PRESSER (UPPER)		C	C:	*		1	1.00	
52	R	22546808	22549869	PRESSER (UPPER)		D	D:	*		1	1.00	
53	D	22547806		PRESSER PIN				*		1		
54		SS6090810SP		SCREW 9/64-40 L= 7.5				*		1		
55		B1525582000		SPRING				*		1		
56		22547004		SAFETY COVER				*		1		
57		SS7111110TP		SCREW 11/64-40 L=10.5				*		1		
58		22548960		PRESSER FOOT ASM.	VARIOUS NOS.FOR DESTINATIONS					1		
59	R	22545206	22547558	PRESSER FOOT (UPPER)				*		1	1.00	
60		22548903		PRESSER FOOT (LOWER)				*		1		
61		10021103		PRESSER PIN				*		1		
62		22545404		SAFETY COVER				*		1		
63		B1525582000		SPRING				*		1		
64		SS6090810SP		SCREW 9/64-40 L= 7.5				*		1		

# FEED MECHANISM & CONDENSE COMPONENTS

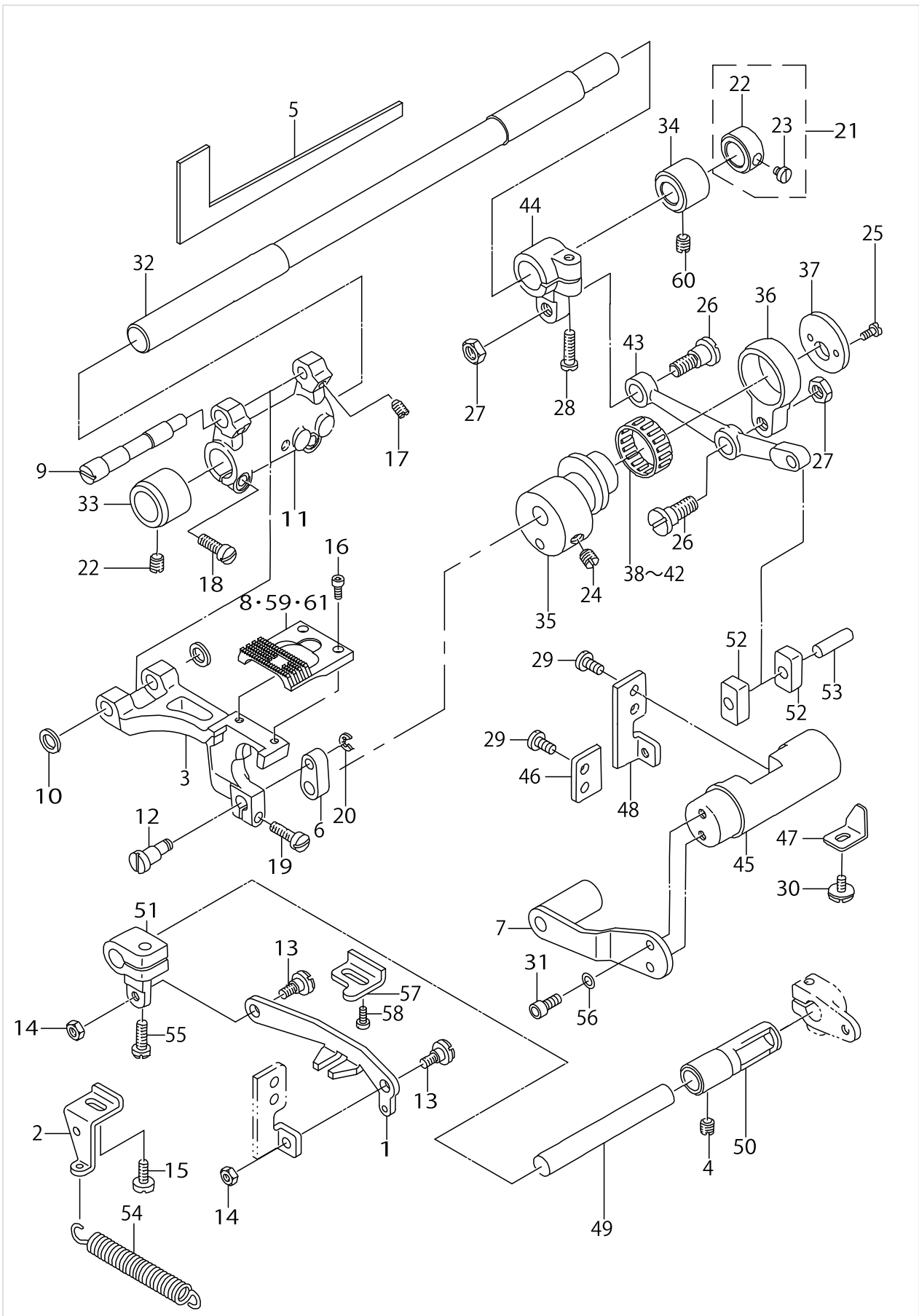


FEED MECHANISM & CONDENSE COMPONENTS

No.	Supply Code	Parts No.	Replacement	Parts name	Remarks	Choice	Step	Level	Cons	Qty	Rep. QTY
1	R	22518005	40056754	LEVER						1	1.00
2		22518104		SHAFT						1	
3	R	22518203	26308205	BUSHING						1	1.00
4	R	22518351	26308353	CONDENSE STOPPER ARM ASM.						1	1.00
5	R	22518401	26308403	FEED DRIVING ADJUSTER						1	1.00
6	R	22518559	40057195	KNOB ASM.						1	1.00
7	D	22518500		KNOB				*		1	
8		22518609		ADJUSTING SCREW BASE				*		1	
9		22518708		ADJUSTING SCREW				*		1	
10		22518807		STOPPER				*		1	
11		22518906		SHAFT				*		1	
12		11212503		STOPPER DIAL PLATE				*		1	
13		SS8110410TP		SCREW 11/64-40 L= 3.5				*		2	
14		WZ1052010KP		WAVED WASHER				*		1	
15		SS4110715SP		SCREW 11/64-40 L=7				*		1	
16	D	22519102		DIAL						1	
17		22519201		ADJUSTING SCREW						1	
18		22519300		FEED REVERSALLINK						1	
19		B1114280000		PIN						1	
20		10119907		CUSHION						1	
21		10120004		SPRINGSUSPENSION						1	
22		D2515232D00		TORSION SPRING						1	
23		B1631012B00		SUSPENSION STUD B						1	
24	R	11100500	22952501	REVERSE FEED LEVER STOPPER						1	1.00
25	R	B2508704000	40176173	OIL SEAL						1	1.00
26	R	11052701	22912000	PIN						1	1.00
27	R	B1148555000	22912109	SPRING						1	1.00
28		SS6121840SP		SCREW 3/16-28 L=18						1	
29		WS0510002KP		SPRING WASHER 5.1X9.2X1.3						1	
30		SS7620750SP		SCREW 3/16-32 L=6.5						1	
31		SS7121410TP		SCREW 3/16-28 L=14						1	
32		CS1031210SH		THRUST COLLAR A- SM. D=10.32 W=1						1	
33		SS7121410TP		SCREW 3/16-28 L=14						1	
34		SS4120615SP		SCREW 3/16-28 L=6						2	
35		SS6121860SP		SCREW 3/16-28 L=18						1	
36		RO074240100		RUBBER RING						1	
37		SD0600321SP		HINGE SCREW D=6 H=3.2						2	
38		NS6120310SP		NUT 3/16-28						1	
39	R	10028900	26303602	FEED VARIABLE ARM B						1	1.00
40		SS6121610TP		SCREW 3/16-28 L=15.5						1	
41		SS4120615SP		SCREW 3/16-28 L=6						2	
42		D2468555B00		RUBBER PLUNGER	FOR LZ-22- 80-7,LZ-2286-7					1	
43		22519805		SCALE PLATE						1	



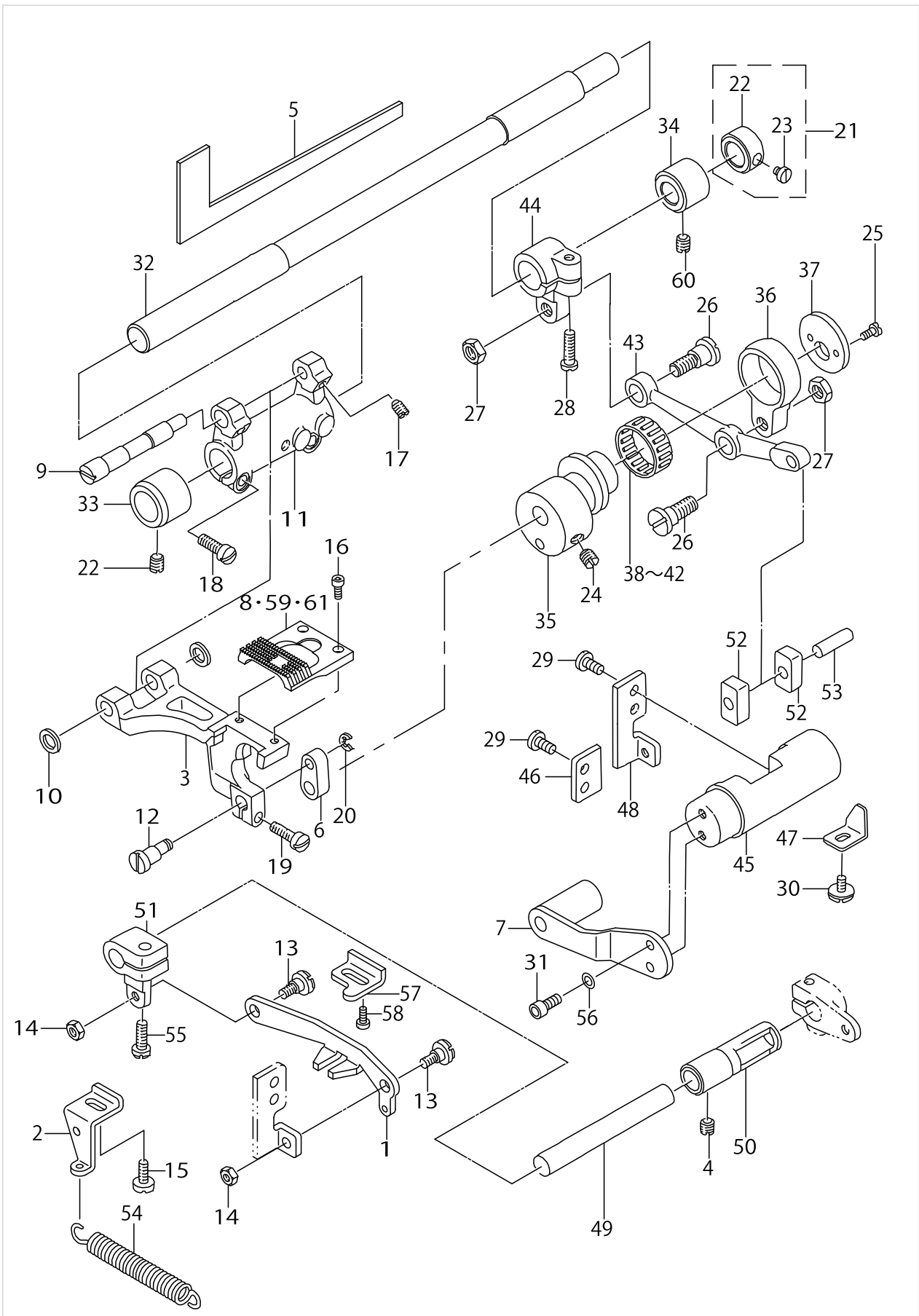
FEED MECHANISM COMPONENTS



FEED MECHANISM COMPONENTS

No.	Supply Code	Parts No.	Replacement	Parts name	Remarks	Choice	Step	Level	Cons	Qty	Rep. QTY
1	R	22519508	26309104	FEEDREVERSALLINK						1	1.00
2		22519607		TENSION SPRING RACK						1	
3	R	22519706	26303107	FEED BASE		A				1	1.00
3	R	22519706	40031418	FEED BASE						1	1.00
4		SS8150510TP		SCREW 15/64-28 L= 4.7						1	
5		22519904		FELT						1	
6		22520001		LINK						1	
7	R	22520159	26309351	BALANCE WEIGHT COMPL.						1	1.00
8		22548119		FEED DOG	VARIOUS NOS.FOR DESTINATIONS					1	
9	R	10026102	40035702	ECCENTRIC SHAFT						1	1.00
10		10026201		SPACER						2	
11	R	10026300	40055832	FEED ROCKER						1	1.00
12	R	10026508	26303107	LINK PIN		A				1	1.00
12	R	10026508	40031418	LINK PIN						1	1.00
13		SD0600321SP		HINGE SCREW D=6 H=3.2						2	
14		NS6120310SP		NUT 3/16-28						2	
15		SS6111140SP		SCREW11/64-40L=11						1	
16		SS6580752TP		SCREW 1/8-40 L=7						2	
17		SS8120740SP		SCREW 3/16-28 L=7						2	
18		SS7121410TP		SCREW 3/16-28 L=14						2	
19		SS7121410TP		SCREW 3/16-28 L=14						1	
20		RE0300000K0		E-RING 3						1	
21		CS1111010SH		THRUST COLLAR A-SM. D=11.11 W=1						1	
22		CS1111019SH		THRUST COLLAR D=11.11 W=10				*		1	
23		SS6660710TP		SCREW 1/4-40 L=7				*		1	
24		SS8660810TP		SCREW 1/4-40 L=8						2	
25	R	SS4080610SP	SS4080620TP	SCREW 1/8-44 L=6.4						2	1.00
26		SD0900701TP		HINGE SCREW D= 9 H= 7						2	
27		NS6680410SP		NUT 9/32-28						2	
28		SS6121610TP		SCREW 3/16-28 L=15.5						1	
29		SS7110910TP		SCREW 11/64-40 L= 8.5						4	
30		SS5110710SP		SCREW 11/64-40 L=7						1	
31		SS6111052TP		SCREW11/64-40L=10						2	
32		10026607		FEEDROCKERSHAFT						1	
33		B1604141H00		BUSHING, FRONT						1	
34	R	B1604155000	26314500	FEED ROCKER SHAFT BUSHING, FRO						1	1.00
35	D	10026706		ECCENTRIC CAM						1	
36	R	10026805	26300509	ROD						1	1.00
37		10026904		SIDE DISC PLATE						1	
38		B1609804A00		BUSHING	SELECTIVE PART					1	
39		B1609804B00		NEEDLE BEARING	SELECTIVE PART					1	
40		B1609804C00		BEARING	SELECTIVE PART					1	
41		B1609804D00		BEARING	SELECTIVE PART					1	
42		B1609804E00		BEARING	SELECTIVE PART					1	

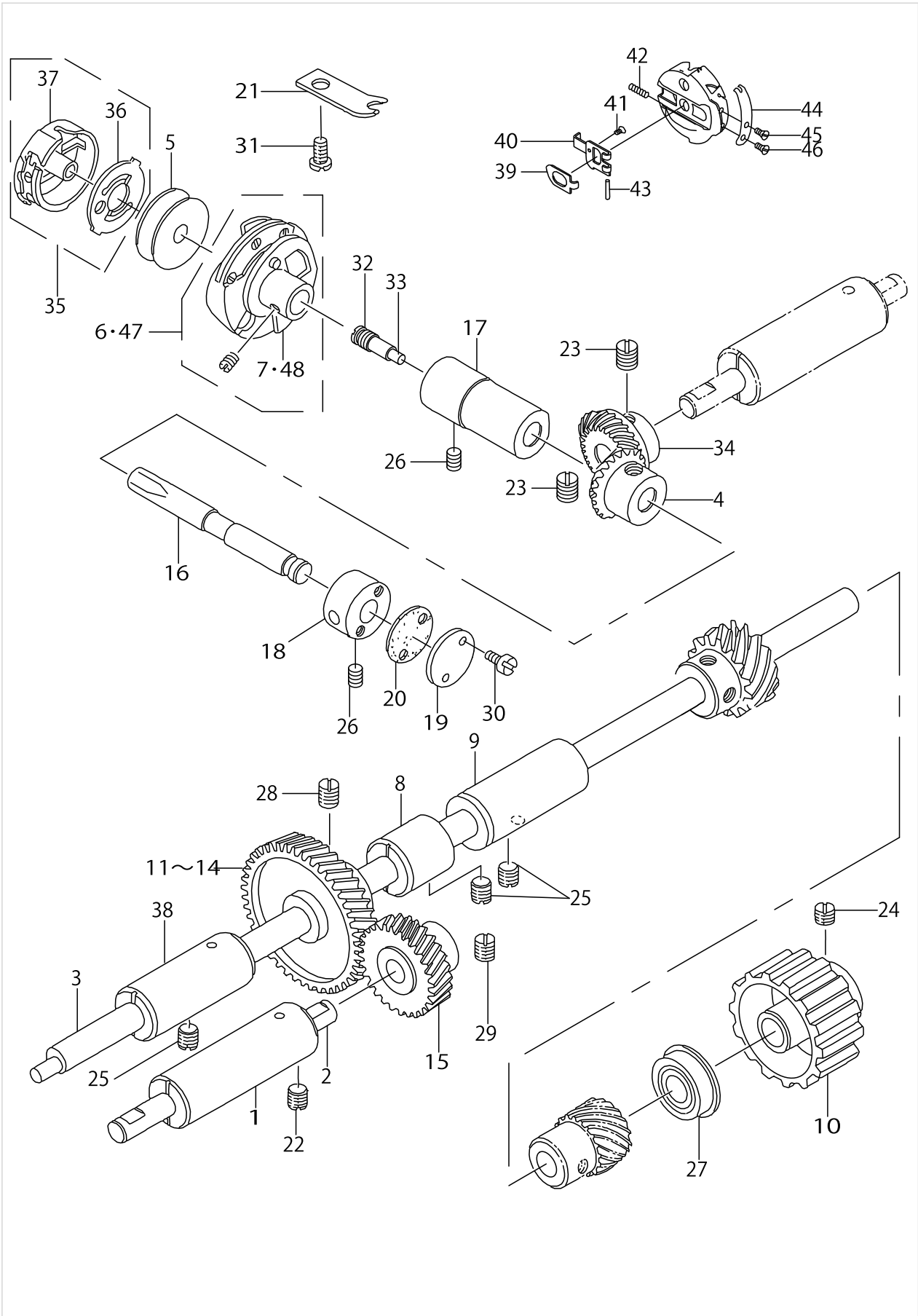
FEED MECHANISM COMPONENTS



FEED MECHANISM COMPONENTS

No.	Supply Code	Parts No.	Replacement	Parts name	Remarks	Choice	Step	Level	Cons	Qty	Rep. QTY
43	R	10027001	26303206	CONNECTING ROD						1	1.00
44		10027100		FEED ROCKER SHAFT CRANK						1	
45	D	10027209		FEED DRIVING ROCKER						1	
46	R	10027308	26303404	PLATE A						1	1.00
47		10027506		STOPPER PLATE						1	
48		10027407		PLATE B						1	
49	R	10028702	26303503	FEED VARIABLE SHAFT						1	1.00
50	R	10028801	40043912	BUSHING						1	1.00
51	R	10029007	26303701	FEED VARIABLE ARM C						1	1.00
52	D	10029601		FEED DRIVING ROCKER BLOCK						2	
53	R	B1653470000	40032271	PIN						1	1.00
54		B1646555000		TENSION SPRING						1	
55		SS7121410TP		SCREW 3/16-28 L=14						1	
56		WP0450846SP		WASHER						2	
57		10029304		REVERSE FEED LIMITER						1	
58		SS6111140SP		SCREW 11/64-40L=11						1	
59		22545107		FEED DOG	VARIOUS NOS.FOR DESTINATIONS					1	
60	R	SS8150710SP	SS8150710TP	SCREW 15/64-28 L=7						2	1.00
61		22548804		FEED DOG						1	

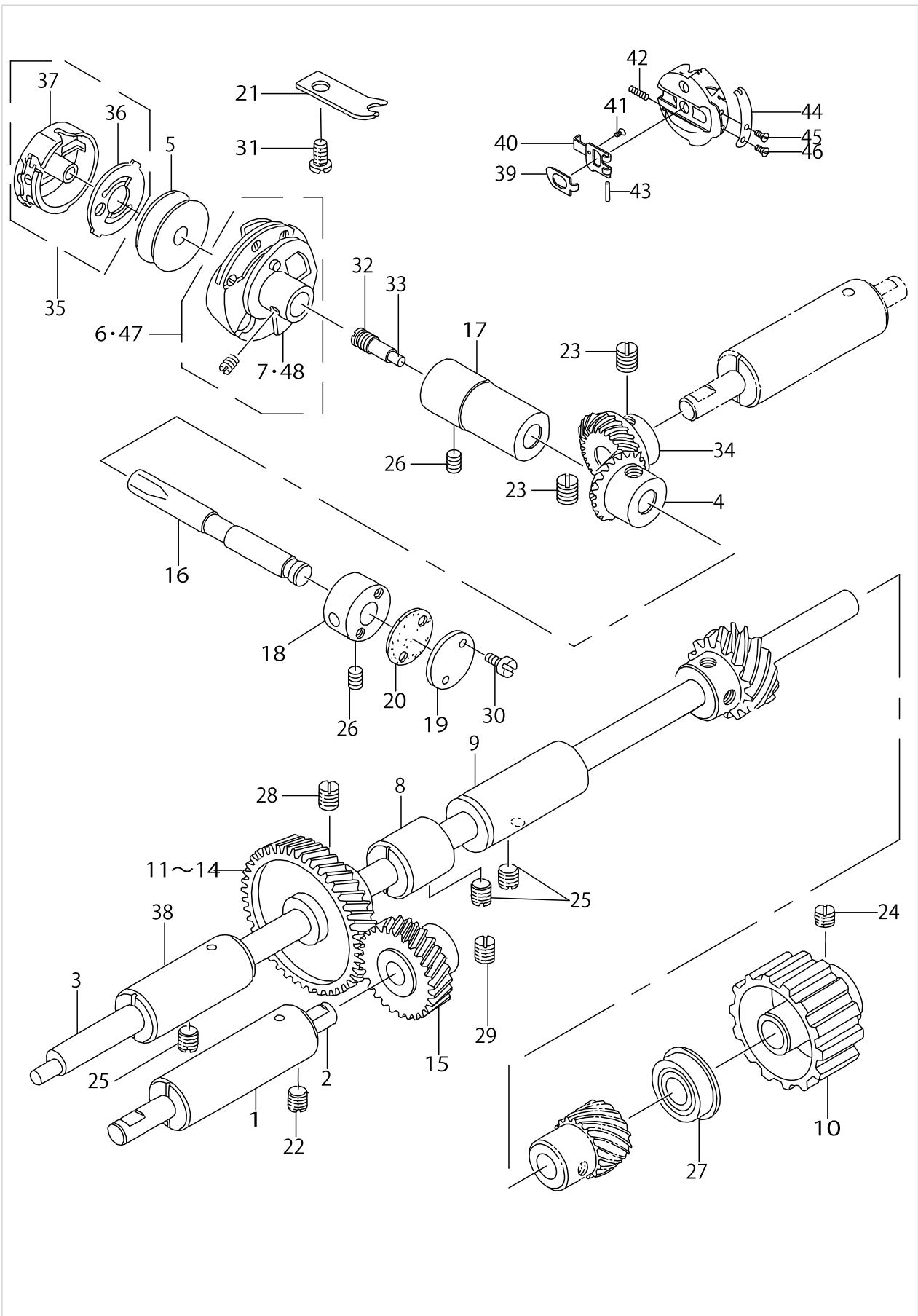
# HOOK DRIVING SHAFT & HOOK COMPONENTS



## HOOK DRIVING SHAFT & HOOK COMPONENTS

No.	Supply Code	Parts No.	Replacement	Parts name	Remarks	Choice	Step	Level	Cons	Qty	Rep. QTY
1	R	22523708	26309609	BUSHING						1	1.00
2	R	22523807	26309708	SHAFT						1	1.00
3	R	22523906	40010305	HOOK DRIVING SHAFT						1	1.00
4		B13081550A0		PINION ASM.						1	
5	R	22524201	22596704	BOBBIN						1	1.00
6	R	22525059	22525877	HOOK COMPL., R						1	1.00
7		22524805		REVERSE PLATE				*		1	
8	R	10030203	10030211	BUSHING, INTERMEDIATE						1	1.00
9	D	10030302		BUSHING, REAR						1	
10		10030401		HOOK DRIVING SHAFT SPROCKET						1	
11		10030609		HELICAL GEAR A	SELECTIVE PART					1	
12		10030708		HELICAL GEAR B	SELECTIVE PART					1	
13	D	10030807		HELICAL GEAR C	SELECTIVE PART					1	
14		10030906		HELICAL GEAR D	SELECTIVE PART					1	
15		10031003		HELICAL GEAR B						1	
16	R	10031300	40043051	HOOK SHAFT		A				1	1.00
16	R	10031300	40043050	HOOK SHAFT		A				1	1.00
16	R	10031300	23537202	HOOK SHAFT		A				1	1.00
17	R	10031409	40043050	HOOK SHAFT BUSHING A		A				1	1.00
17	R	10031409	23537202	HOOK SHAFT BUSHING A		A				1	1.00
17	R	10031409	40043051	HOOK SHAFT BUSHING A		A				1	1.00
18		10031516		HOOK SHAFT BUSHING B						1	
19		10031615		BUSHING CAP						1	
20		10031714		GASKET						1	
21	R	10033207	23503402	BOBBIN CASE POSITIONING FINGER						1	1.00
22	R	SS8150710SP	SS8150710TP	SCREW 15/64-28 L=7						1	1.00
23		SS8660810TP		SCREW 1/4-40 L=8						4	
24		SS6660710TP		SCREW 1/4-40 L=7						2	
25	R	SS8150710SP	SS8150710TP	SCREW 15/64-28 L=7						3	1.00
26		SS8150822TP		SCREW 15/64-28 L=8						2	
27		SB109530100		BEARING D=9.52X22.22						1	
28		SS8660810TP		SCREW 1/4-40 L=8						2	
29		SS8660810TP		SCREW 1/4-40 L=8						2	
30		SS4080620TP		SCREW 1/8-44 L=6						2	
31	R	SS6111010SP	SS6111010TP	SCREW 11/64-40 L= 9.5						1	1.00
32	R	B1808552000	22916506	OIL SEAL SCREW						1	1.00
33		11015906		OIL WICK						1	
34		B13071550A0		PINION ASM. LARGE						1	
35	R	22524169	40003598	BOBBIN CASE ASM.	FOR LZ-22-80-7,LZ-2286-7					1	1.00
36		13729702		BOBBIN CASE SPRING	FOR LZ-22-80-7,LZ-2286-7			*		1	
37	R	22524151	40003598	BOBBIN CASE COMPL.				*		1	1.00
38		10030104		BUSHING, FRONT						1	
39		19800903		LC-601-1/ LATCH LEVER						1	
40		19801000		LC-602-2/ LATCH						1	
41		19801307		SMS-801-B/ SETSCREW PICK-UP						1	

# HOOK DRIVING SHAFT & HOOK COMPONENTS

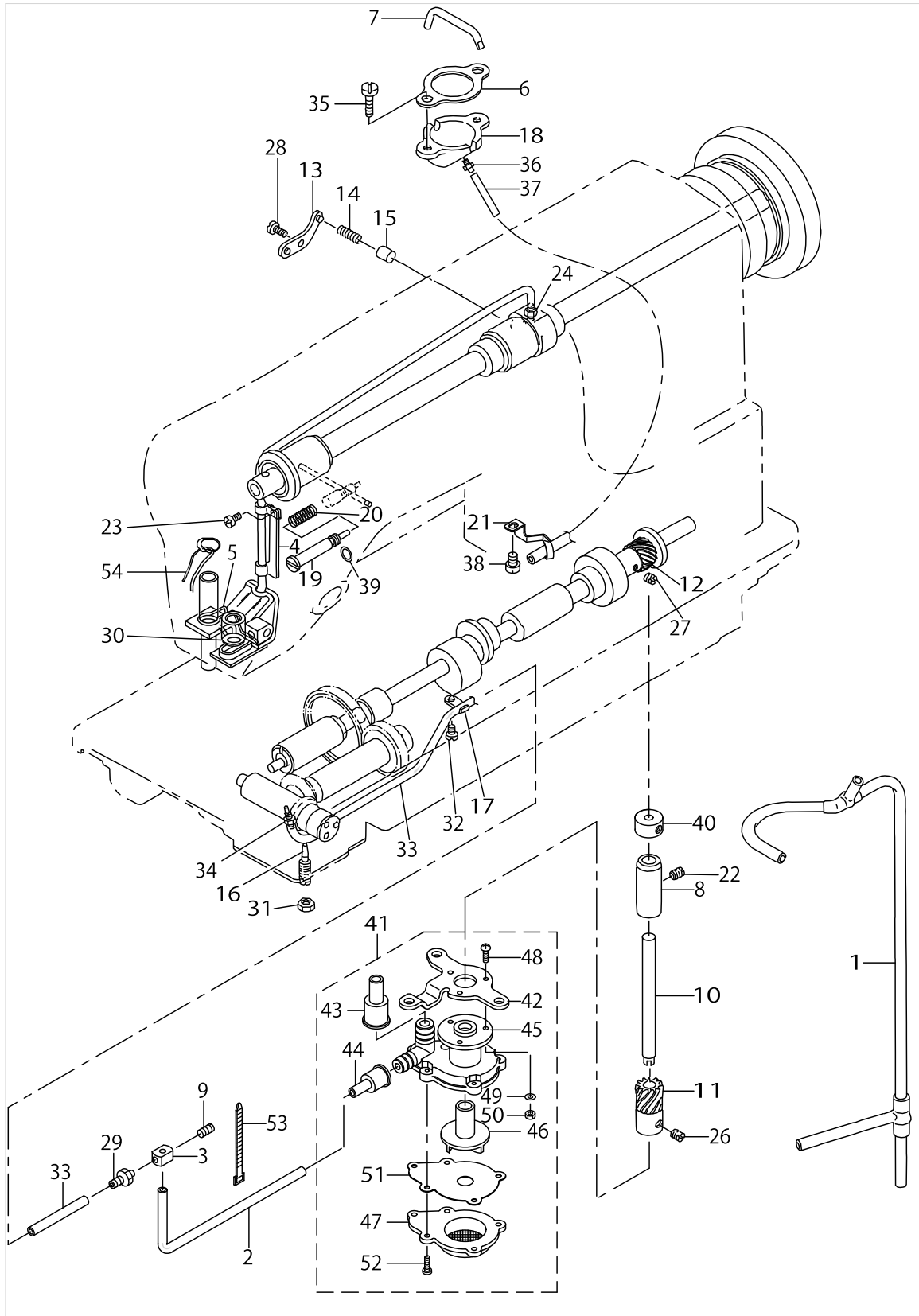


HOOK DRIVING SHAFT & HOOK COMPONENTS

No.	Supply Code	Parts No.	Replacement	Parts name	Remarks	Choice	Step	Level	Cons	Qty	Rep. QTY
42		19801109		LSP-4/ LATCH SPRING						1	
43		19801208		LFP-1/ LATCH PIN						1	
44		19801406		TSP-604-B/ TENSION SPRING						1	
45		19801505		SMS-608-B/ TENSION SCREW						1	
46		19801604		SMS-609-B/ SETS-CREW TENSION SP						1	
47	R	22525851	22525877	HOOK COMPL. V	SPECIAL ORDER PART					1	1.00
48		22526206		REVERSE PLATE V	SPECIAL ORDER PART			*		1	



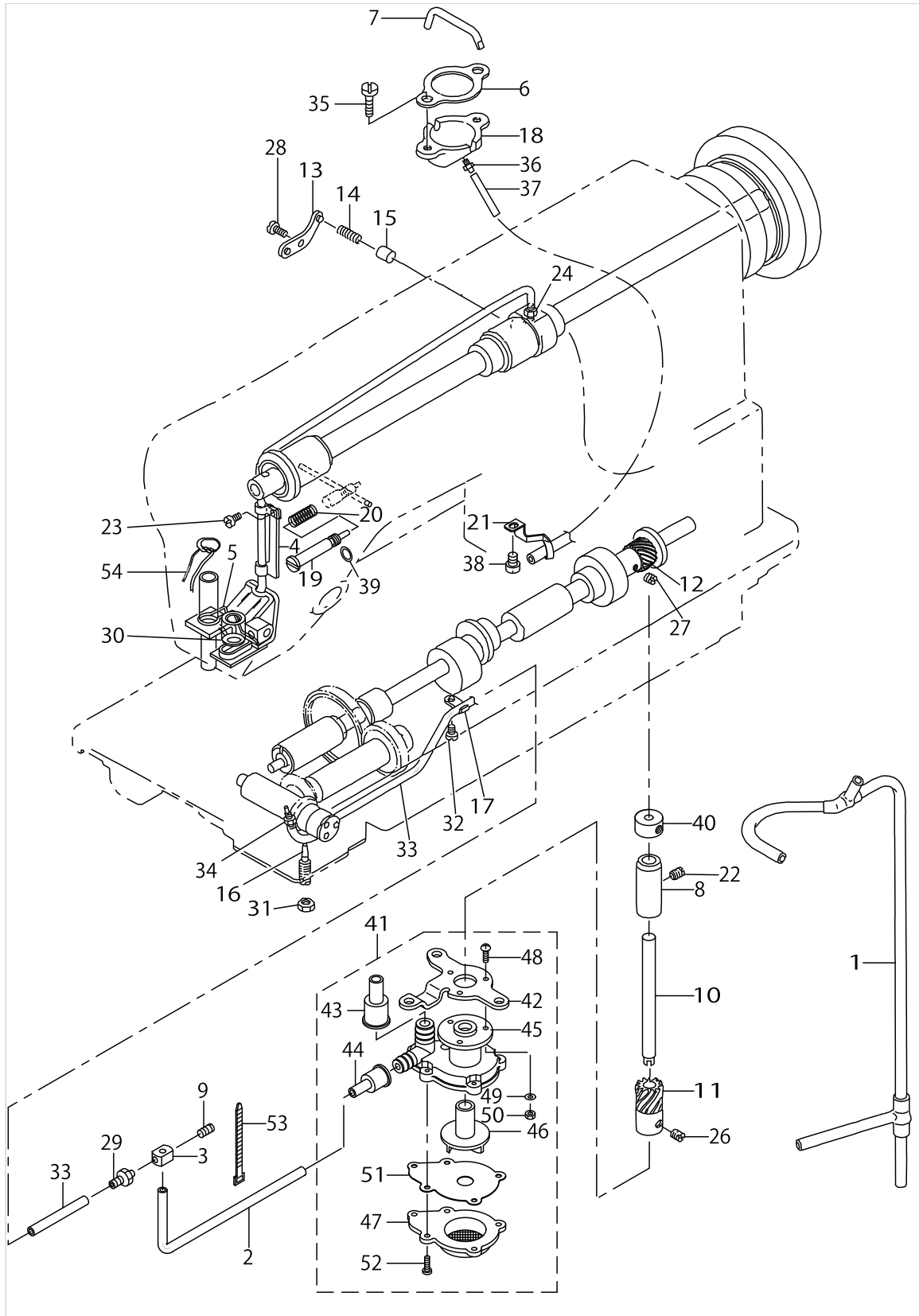
LUBRICATION COMPONENTS



LUBRICATION COMPONENTS

No.	Supply Code	Parts No.	Replacement	Parts name	Remarks	Choice	Step	Level	Cons	Qty	Rep. QTY
1	R	22531156	26315150	OIL SUPPLY PIPE ASM.						1	1.00
2	R	22531206	26315200	OIL SUPPLY PIPE						1	1.00
3	R	22531305	40035544	DISTRIBUTOR						1	1.00
4		22531552		FELT ASM.						1	
5	R	22531701	26311902	FELT PRESSER						1	1.00
6	R	22531909	26315150	GASKET		A	LZ2280N~2-282N Series/2286N Series			1	1.00
6	R	22531909	40070259	GASKET		A	LZ2280N~2-282N Series/2286N Series			1	1.00
6	R	22531909	40070259	GASKET		B	LZ2285N Series			1	1.00
6	R	22531909	22590855	GASKET		B	LZ-2285N Series			1	1.00
6	R	22531909	40073481	GASKET		C	LZ-2285N Series			1	1.00
6	R	22531909	40070259	GASKET		C	LZ-2285N Series			1	1.00
7	R	22532006	26312009	OIL TUBE						1	1.00
8		10035301		BUSHING						1	
9	R	SS8110510SP	SS8110520TP	SCREW 11/64-40 L=5						1	1.00
10	R	B1301555000	26315408	UPRIGHT SHAFT						1	1.00
11		10035111		PUMP DRIVING GEAR						1	
12		10035004		PUMP DRIVING GEAR A						1	
13		B3524552000		PLUNGER THRUST PLATE						1	
14		B1214038000		PLUNGER SPRING						1	
15		B3534155000		PLUNGER						1	
16		10037109		OIL REGULATING SCREW						1	
17		B3538112000		OIL RETURN TUBE HOLDER						1	
18	R	10125904	26304600	OIL TANK						1	1.00
19	R	10035707	26304501	OIL REGULATING SCREW						1	1.00
20	R	B2616372000	22924906	SPRING						1	1.00
21	R	B3565771000	40009373	OIL FELT GUIDE						1	1.00
22	R	SS8150710SP	SS8150710TP	SCREW 15/64-28 L=7						1	1.00
23		SS4110715SP		SCREW 11/64-40 L=7						1	
24		SQ1110402MZ		CONNECTING SCREW						1	
25		SS6111140SP		SCREW 11/64-40 L=11						2	
26		SS8660530TP		SCREW 1/4-40 L= 4.5						2	
27		SS8660530TP		SCREW 1/4-40 L= 4.5						2	
28		SS4110715SP		SCREW 11/64-40 L=7						1	
29		SQ1110402MZ		CONNECTING SCREW						1	
30		CQ202000000		OIL WICK						.2	
31		NS6150310SP		NUT 15/64-28						1	
32		SS4110515SP		SCREW 11/64-40 L=5						1	
33		BT0500300EA		OIL TUBE						.4	
34		SQ1110402MZ		CONNECTING SCREW						2	
35		SS4111215SP		SCREW 11/64-40 L=12						2	
36		SQ1150451MZ		CONNECTING SCREW						1	
37		BT0600402EA		OIL TUBE						.3	
38		SS4110515SP		SCREW 11/64-40 L=5						1	
39		RO029180100		RUBBER RING						1	

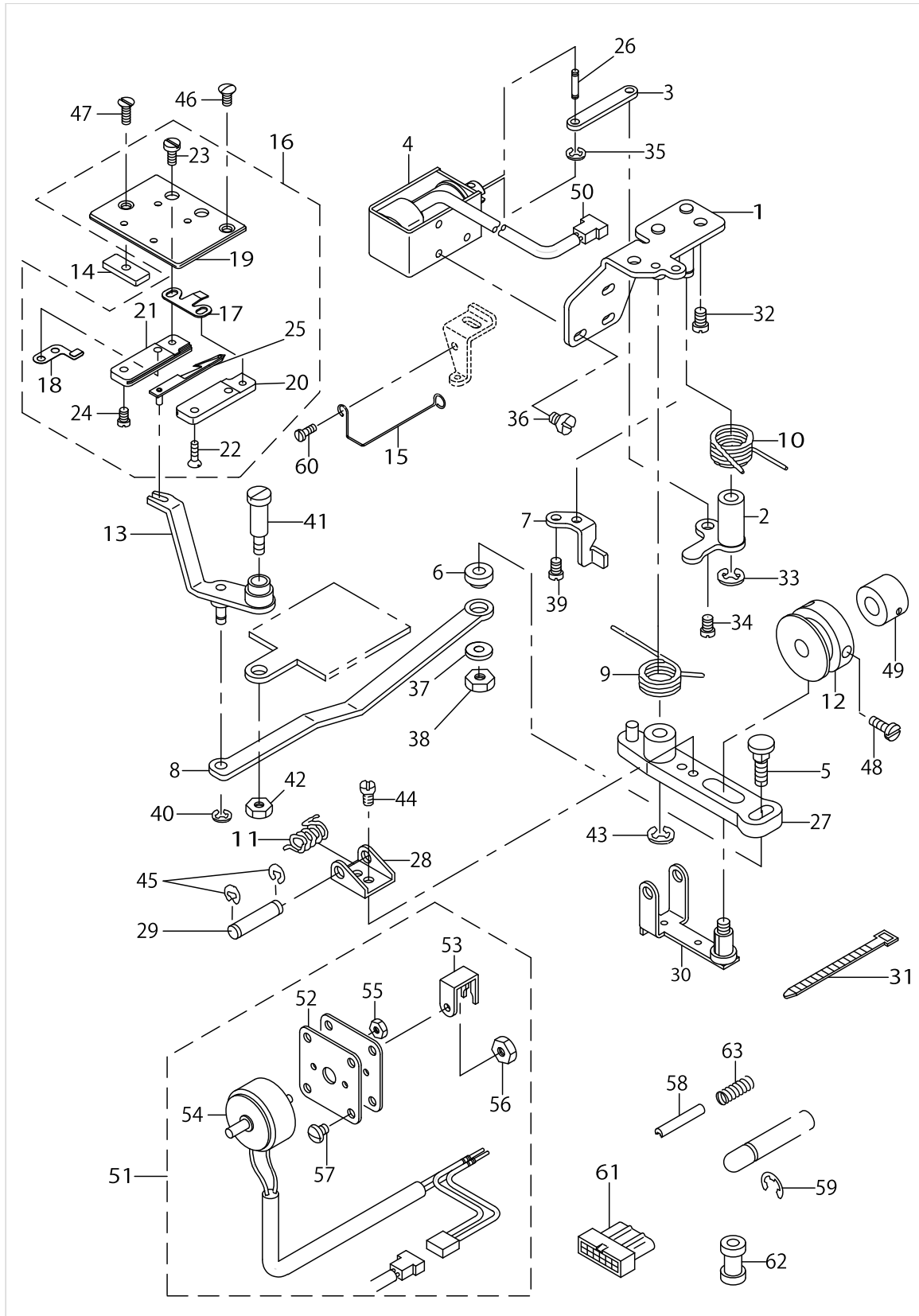
LUBRICATION COMPONENTS



LUBRICATION COMPONENTS

No.	Supply Code	Parts No.	Replacement	Parts name	Remarks	Choice	Step	Level	Cons	Qty	Rep. QTY
40		GS079073ASH		THRUST COLLAR ASM.						1	
41	R	B35015550A0	40020337	LUBRICATING OIL PUMP ASM.						1	1.00
42	R	B3503555000	40020337	OIL PUMP INSTALLING BASE				*		1	1.00
43	R	B3505555000	40020337	RUBBER JOINT				*		1	1.00
44	R	B3506555000	40020337	RUBBER JOINT				*		1	1.00
45	R	B3501555000	40020337	LUBRICATING OIL PUMP				*		1	1.00
46	R	B3507555000	40020337	OIL PUMP IMPELLER				*		1	1.00
47	R	B3508555000	40020337	OIL PUMP IMPELLER COVER				*		1	1.00
48		SM4031001SC		SCREW M3X0.5 L=10				*		3	
49		WT0320002KZ		WASHER				*		3	
50	D	NM60300000E		NUT M3X0.5				*		3	
51	R	B3502555000	40020337	LUBRICATING OIL PUMP COVER				*		3	1.00
52		SE4301031SR		SCREW				*		5	
53		EA9500B0100		CABLE BAND						1	
54		CQ202000000		OIL WICK						.2	

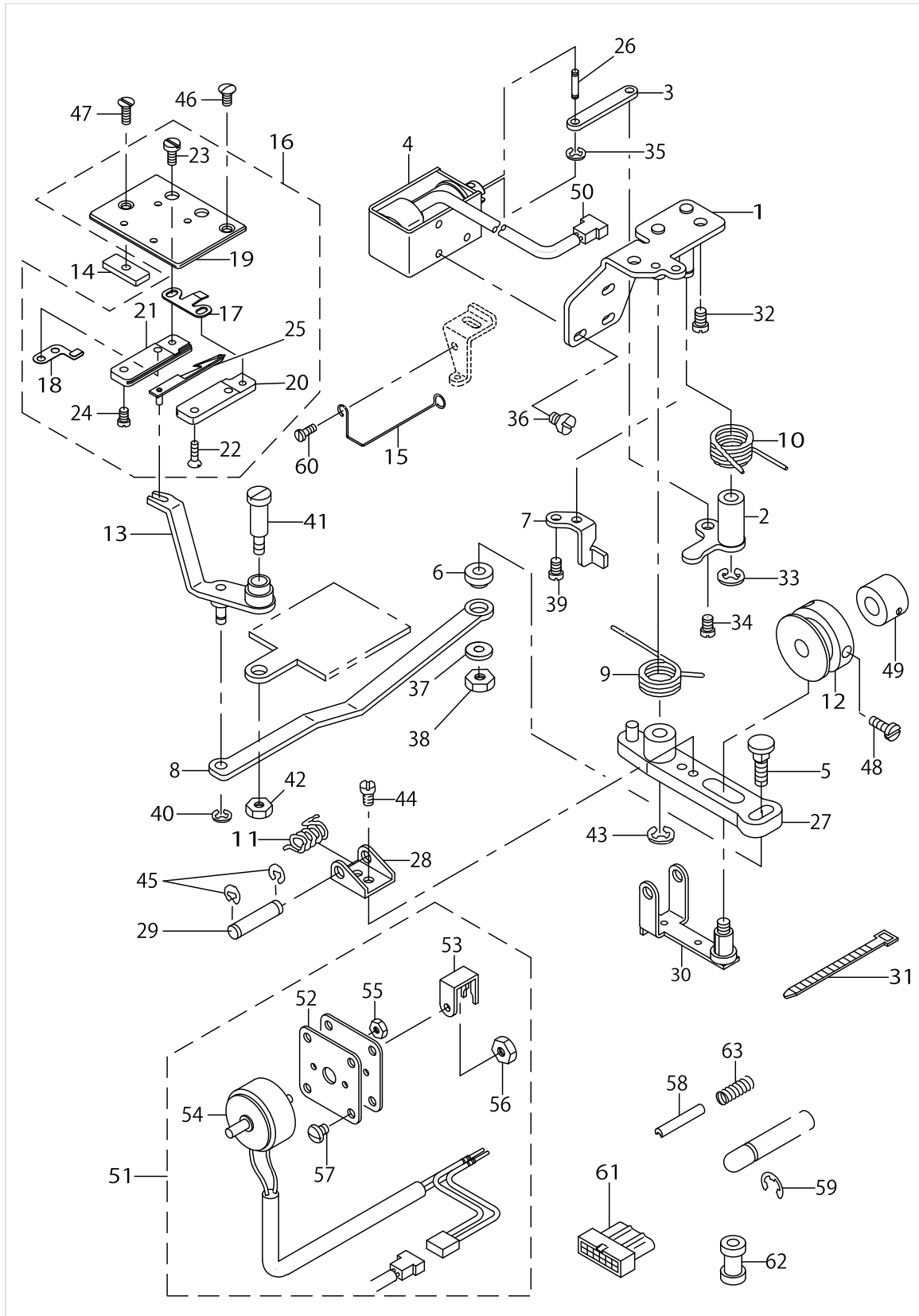
# THREAD TRIMMER MECHANISM COMPONENTS



THREAD TRIMMER MECHANISM COMPONENTS

No.	Supply Code	Parts No.	Replacement	Parts name	Remarks	Choice	Step	Level	Cons	Qty	Rep. QTY
1		22554158		BASE PLATE ASM.						1	
2		22554356		CLUTCH PLATE ASM.						1	
3		22554505		CLUTCH LINK						1	
4	R	22554604	40106079	MAGNET						1	1.00
5	R	22554703	40010295	MOVING KNIFE LINK PIN						1	1.00
6		22554802		MOVING KNIFE LINK BASE						1	
7		22554901		DRIVING ARM STOPPER						1	
8		22555007		MOVING KNIFE LINK						1	
9		22555106		KNIFE RETURN SPRING						1	
10		22555205		CLUTCH SPRING						1	
11		22555304		ROLLER RETURN SPRING						1	
12	D	22555403		THREAD CUTTING CAM						1	
13		22555551		FORK KNIFE ASM.						1	
14		22556906		FIXED PLATE						1	
15		22557003		CORD PRESSER						1	
16		22556054		KNIFE UNIT						1	
17		22556302		FIXED KNIFE				*		1	
18		22556450		CLAMP PLATE ASM.				*		1	
19		22556609		SLIDING PLATE				*		1	
20		22556708		DRIVING BASE				*		1	
21		22556807		DRIVING BASE				*		1	
22		SS1090510SP		SCREW 9/64-40 L=5				*		2	
23		SS6090420SP		SCREW 9/64-40 L=4.0				*		2	
24		SS7090710SP		SCREW 9/64-40 L=6.8				*		2	
25		22556153		DRIVING KNIFE ASM.				*		1	
26		D2107555B00		WIPER LINK SHAFT, A						1	
27	R	11040854	22948558	KNIFE DRIVING ARM ASM.						1	1.00
28	R	11041308	22949002	ROLLER ARM BRACKET						1	1.00
29	R	11041407	22949101	ROLLER FULCRUM SHAFT						1	1.00
30		22555858		ROLLER ARM ASM.						1	
31		EA9500B0100		CABLE BAND						2	
32		SS4150915SP		SCREW 15/64-28 L=9						2	
33		RE0600000K0		E-RING 6						1	
34		SD0600291TP		HINGE SCREW D=6 H=2.9						1	
35		RE0250000K0		E-RING 2.5						2	
36		SM4040601SB		SCREW M4 L=6						3	
37		WP0621016SH		WASHER						1	
38		NS6150430SP		NUT 15/64-28						1	
39		SS4110915SP		SCREW 11/64-40 L=9						2	
40		RE0500000K0		E-RING						1	
41		SD0791503SP		HINGE SCREW D=7.94 H=15						1	
42		NS6150310SP		NUT 15/64-28						1	
43		RE0600000K0		E-RING 6						1	
44		SS7090610SP		SCREW 9/64-40 L=6						1	
45		RE0400000K0		E-RING 4						1	
46		SS2110920TP		SCREW 11/64-40 L=8.5						1	

# THREAD TRIMMER MECHANISM COMPONENTS

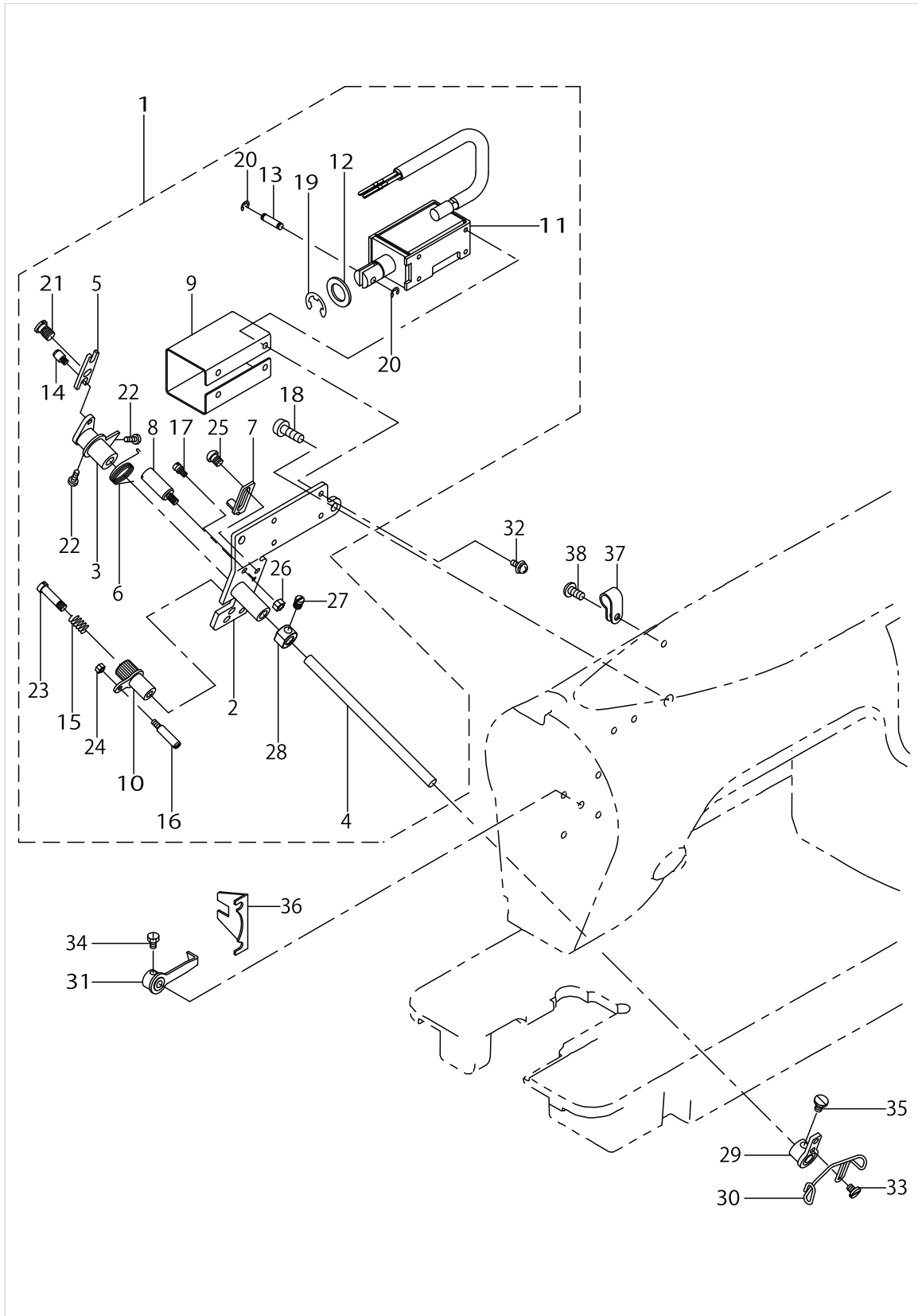


THREAD TRIMMER MECHANISM COMPONENTS

No.	Supply Code	Parts No.	Replacement	Parts name	Remarks	Choice	Step	Level	Cons	Qty	Rep. QTY
47		SS2111010TP		SCREW 11/64-40 L=9.5						1	
48		SS6660710TP		SCREW 1/4-40 L=7						2	
49		CS095101BSH		THRUST COLLAR A-SM. D=9.53 W=10						1	
50		HK00443002A		HOUSING 2P						1	
51		22552764		SOLENOID ASM.						1	
52		22552806		SOLENOID FITTING BASE				*		1	
53		22552905		THREAD RELEASE PUSH PLATE				*		1	
54	R	22552756	22552764	SCREW 9/64-40 L=14				*		1	1.00
55		NM6030001SC		NUT M3				*		2	
56		NM6040001SN		NUT M4X0.7				*		1	
57		SS4120615SP		SCREW 3/16-28 L=6				*		4	
58		PS0300182KF		SPRING PIN 3X18						1	
59		RE0400000K0		E-RING 4						1	
60		SS4110515SP		SCREW 11/64-40 L=5						1	
61		HK034610140		HOUSING 14P						1	
62		D2467555B00		RUBBER PLUG						2	
63	D	D3133555B00		SPRING						1	



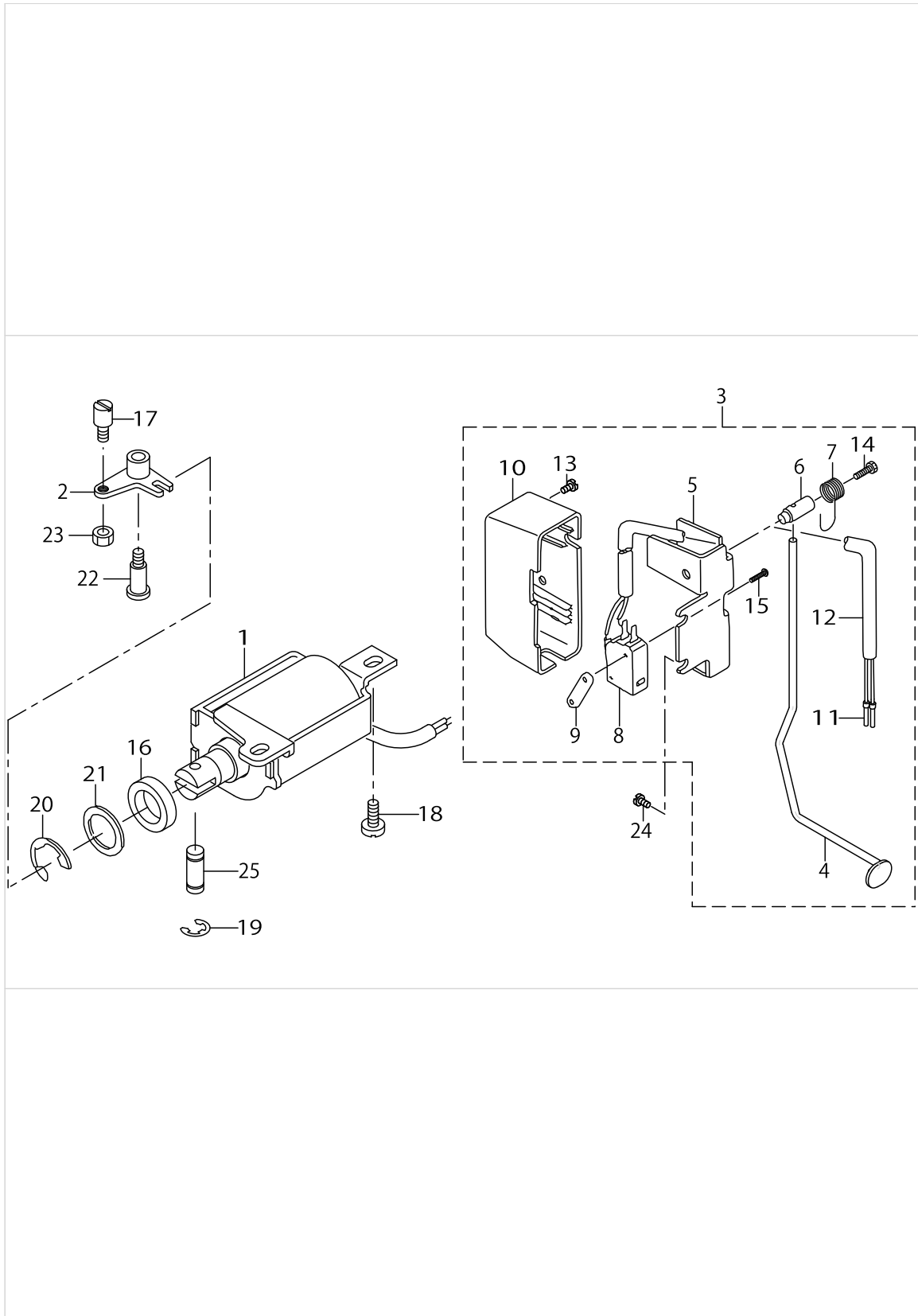
# UPPER THREAD FEEDER COMPONENTS



UPPER THREAD FEEDER COMPONENTS

No.	Supply Code	Parts No.	Replacement	Parts name	Remarks	Choice	Step	Level	Cons	Qty	Rep. QTY
1		22564157		THREAD FEEDER ASM.						1	
2		22564256		FITTING BASE COMPL.				*		1	
3		22564454		FEED LEVER COMPL.				*		1	
4		22564702		FEED LEVER SHAFT				*		1	
5		22564801		LINK				*		1	
6		22565204		FEED LEVER SPRING				*		1	
7		22565303		STOPPER				*		1	
8	R	22565402	40116710	SHAFT				*		1	1.00
9		22565501		SOLENOID COVER				*		1	
10		22565659		PLATE				*		1	
11		22565857		SOLENOID COMPL.				*		1	
12		11234408		SOLENOID RUBBER				*		1	
13		11234507		PLUNGER CONNECTING PIN				*		1	
14		B2560372000		BUTTON CLAMP STOP PIN				*		1	
15		B2626372000		SPRING				*		1	
16	R	B2034372000	26020503	THREAD RELEASING SCREW STUD				*		1	1.00
17	R	B2024771000	40009196	SUSPENSION SCREW				*		1	1.00
18		SS4120915SP		SCREW 3/16-28 L=9				*		2	
19		RE0900000K0		E-RING 9				*		1	
20		RE0300000K0		E-RING 3				*		2	
21		SD0640241SP		HINGE SCREW D= 6.35 H= 2.4				*		1	
22		SS7110540SP		SCREW 11/64-40 L=5				*		2	
23		SD0481451SP		HINGE SCREW D= 4.80 H=14.5				*		1	
24		NS6080340SP		NUT 1/8-44				*		1	
25		SS4120615SP		SCREW 3/16-28 L=6				*		1	
26		NS6120310SP		NUT 3/16-28				*		1	
27		SS7110540SP		SCREW 11/64-40 L=5				*		2	
28		CS0640863SH		THRUST COLLAR D=6.35 W=8				*		1	
29		22564959		FITTING PLATE COMPL.						1	
30		22565105		WIRE						1	
31		22566152		STOPPER PLATE COMPL.						1	
32		SL4030881SF		SCREW						4	
33		SS6090540SP		SCREW 9/64-40 L=5.0						2	
34		SS9090610TP		SCREW 9/64-40 L=5.5						2	
35		SS9110620TP		SCREW						2	
36		22566301		STOPPER PLATE GUIDE						1	
37		HX00123000A		CABLE CLIP	FOR LZ-2280-7-00					1	
38		SS4121015SP		SCREW 3/16-28 L=10	FOR LZ-2280-7-00					1	

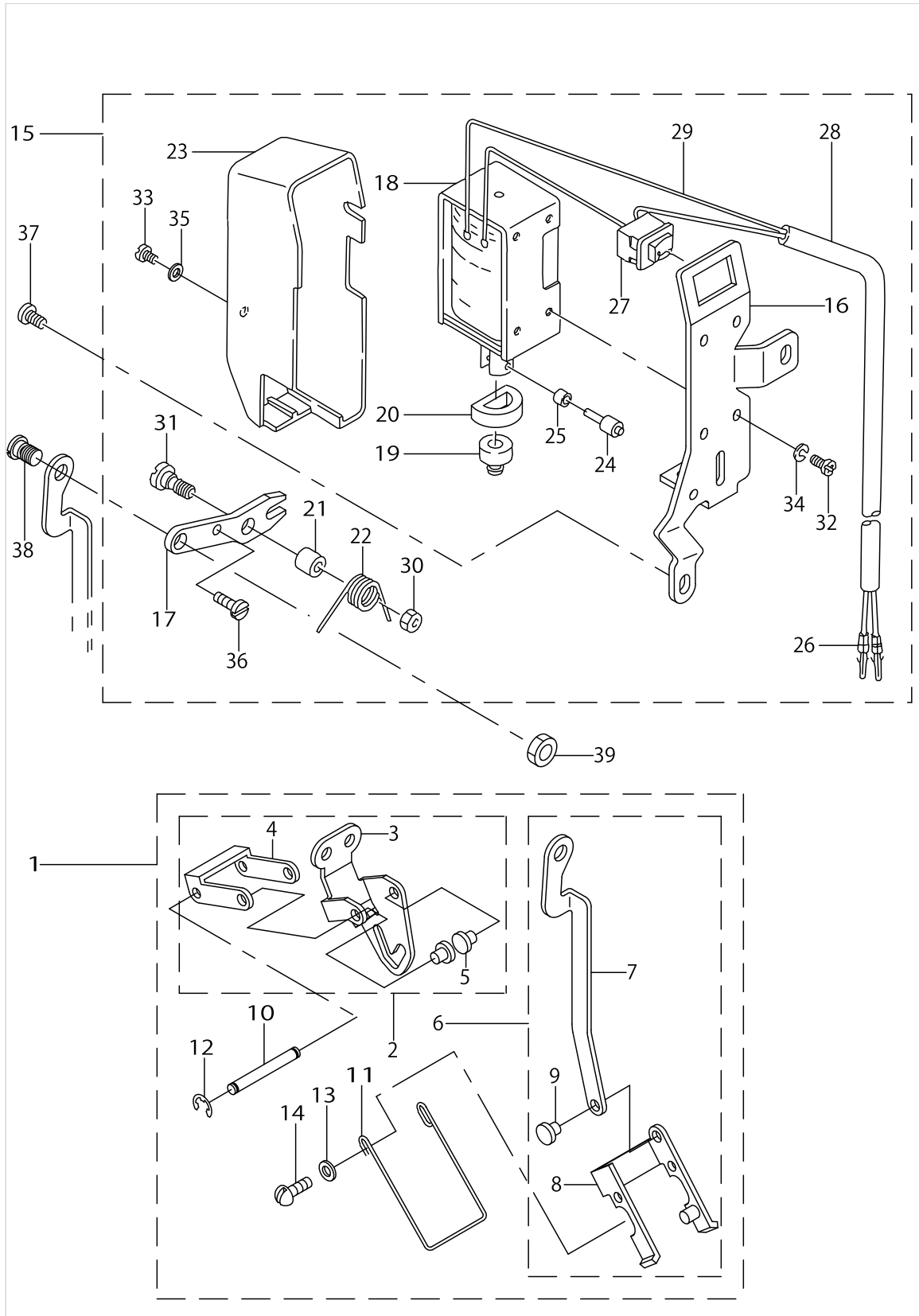
# AUTOMATIC REVERSE FEED MECHANISM COMPONENTS



AUTOMATIC REVERSE FEED MECHANISM COMPONENTS

No.	Supply Code	Parts No.	Replacement	Parts name	Remarks	Choice	Step	Level	Cons	Qty	Rep. QTY
1	R	22559058	40108060	MAGNET ASM.						1	1.00
2		22544159		REVERSE FEED LINK ASM.						1	
3		22559850		REVERSE FEED SWITCH						1	
4		22559900		REVERSE FEED SWITCH LEVER				*		1	
5	R	11102001	22954101	REVERSE FEED SWITCH BASE				*		1	1.00
6	R	11102100	22954200	REVERSE FEED SWITCH SHAFT				*		1	1.00
7	R	11102209	22954309	REVERSE FEED SWITCH SPRING				*		1	1.00
8		HA001900000		MICROSWITCH				*		1	
9	R	11102308	22954408	MICRO SWITCH PLATE				*		1	1.00
10	R	11072501	22954606	REVERSE FEED SWITCH COVER				*		1	1.00
11		HK03464000B		PIN CONTACT				*		2	
12		HW500070000		2-CORE CABTYRE CORD				*		1.5	
13		SS4110615SP		SCREW 11/64-40 L=6				*		1	
14		SS9111610SP		SCREW 11/64-40 L=16				*		1	
15		SM4031501SC		SCREW M3 L=15				*		2	
16		D2468555B00		RUBBER PLUNGER						1	
17		B1213372000		SCREW						1	
18		SS4150915SP		SCREW 15/64-28 L=9						2	
19		RE0400000K0		E-RING 4						2	
20		RE1200000K0		E-RING 12						1	
21		WP1602616SZ		WASHER 16X24X2.6						1	
22		SD0791503SP		HINGE SCREW D=7.94 H=15						1	
23		NS6150310SP		NUT 15/64-28						1	
24		SS4120615SP		SCREW 3/16-28 L=6						2	
25	R	11101003	22953509	PLUNGER ARM PIN						1	1.00

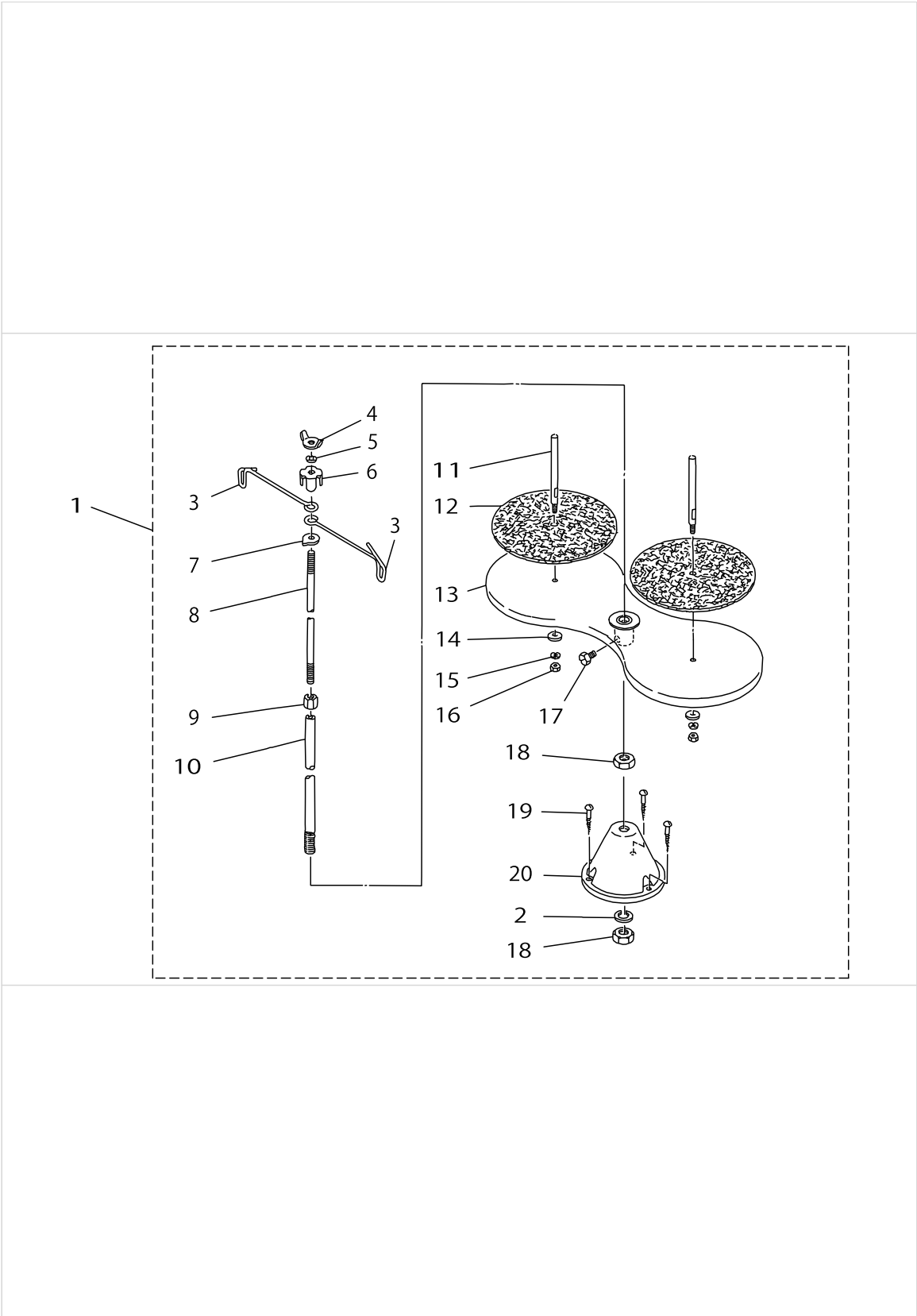
WIPER MECHANISM COMPONENTS



WIPER MECHANISM COMPONENTS

No.	Supply Code	Parts No.	Replacement	Parts name	Remarks	Choice	Step	Level	Cons	Qty	Rep. QTY
1		22561757		WIPER ASM.						1	
2		22561856		WIPER BASE ASM.				*		1	
3	R	22561807	22561856	WIPER BASE				*		1	1.00
4	R	10208601	10208551	WIPER LINK 1				*		1	1.00
5		D2107490D00		PIN				*		2	
6		22561955		WIPER LINK COMPL.				*		1	
7	R	22561906	22561955	WIPER LINK				*		1	1.00
8	R	10208858	10208866	WIPER LINK ASM. 2				*		1	1.00
9		D2107490D00		PIN				*		1	
10		10208700		WIPER LINK SHAFT				*		1	
11		22561708		WIPER				*		1	
12		RE032000K0		E-RING 3.2				*		2	
13		WP0371016SD		WASHER 3.7X8X1				*		2	
14		SS3090520SP		SCREW 9/64-40 L=4.5				*		2	
15		22562052		SOLENOID ASM.						1	
16		22562102		WIPER BASE				*		1	
17		22562201		WIPER LINK				*		1	
18	R	11110301	40106936	WIPER SOLENOID				*		1	1.00
19	R	11110400	22955900	WIPER RUBBER A				*		1	1.00
20	R	11110509	22956007	WIPER RUBBER B				*		1	1.00
21	R	11110707	22956205	WIPER HINGE SCREW COLLAR				*		1	1.00
22	R	11110806	22956304	WIPER SPRING				*		1	1.00
23	R	11072709	22955504	WIPER COVER				*		1	1.00
24	R	11112000	22957104	WIPER SOLENOID PIN				*		1	1.00
25	R	11111804	22957203	WIPER LINK COLLAR				*		1	1.00
26		HK03464000B		PIN CONTACT				*		2	
27		HA000590000		POWER SWITCH				*		1	
28		HW500070000		2-CORE CABTYRE CORD				*		1.5	
29		HW200390000		ELECTRIC WIRE				*		0.1	
30		NS6110310SP		NUT 11/64-40				*		1	
31		SD0650321TP		HINGE SCREW D=6.5 H=3.2				*		1	
32		SM4030601SN		SCREW M3 X 6				*		4	
33		SM4030601SN		SCREW M3 X 6				*		1	
34		WS0310002KN		SPRING WASHER M3				*		4	
35		WP0320501SC		WASHER M3				*		1	
36		SS6111040SP		SCREW 11/64-40 L= 9.5				*		1	
37		SS4120615SP		SCREW 3/16-28 L=6						2	
38		SD0600271SP		HINGE SCREW D= 6 H= 2.7						1	
39		NS6110310SP		NUT 11/64-40						1	

THREAD STAND COMPONENTS (1)

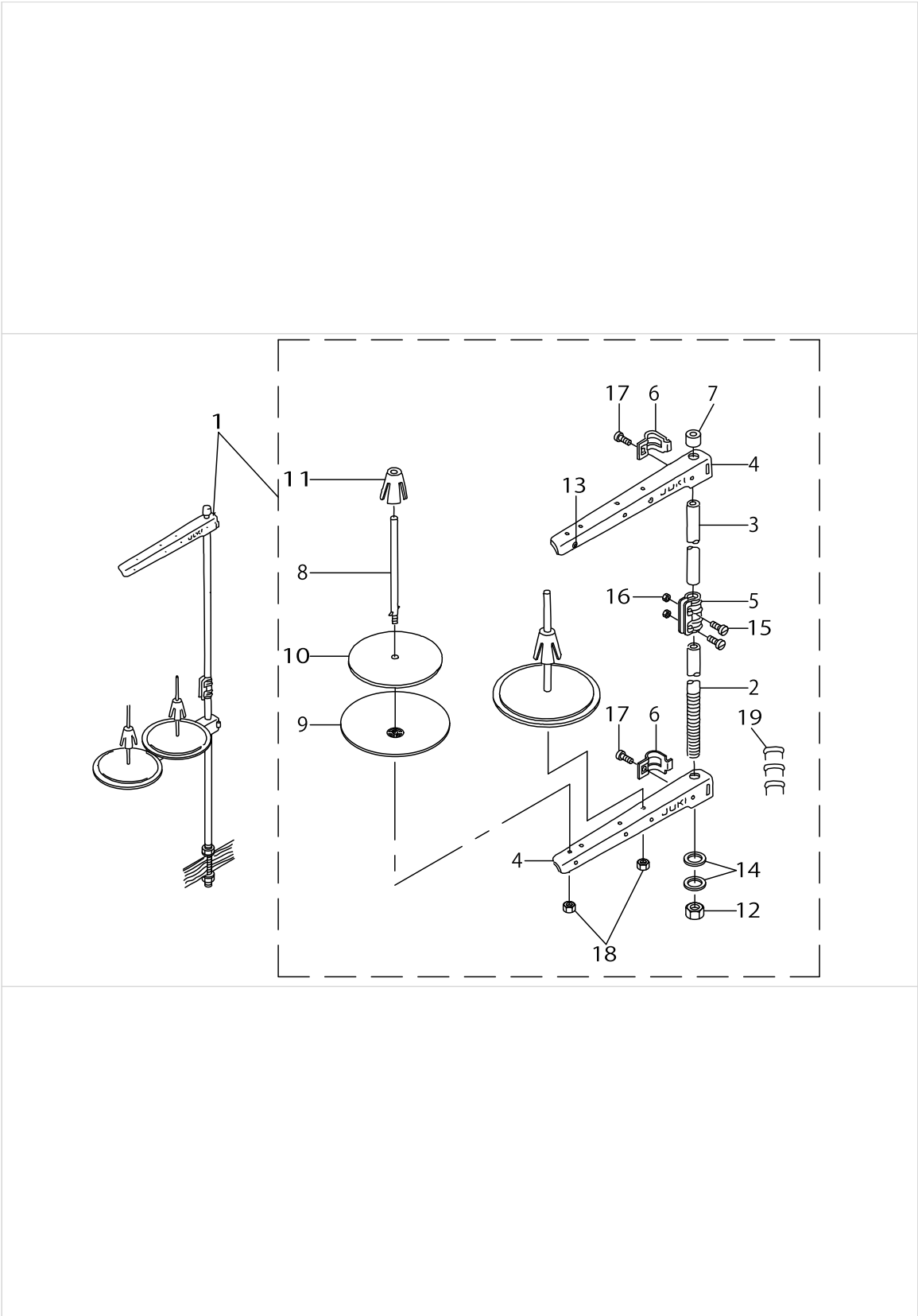


THREAD STAND COMPONENTS (1)

No.	Supply Code	Parts No.	Replacement	Parts name	Remarks	Choice	Step	Level	Cons	Qty	Rep. QTY
1	R	11183167	40096354	THREAD STAND ASM.						1	1.00
2		WS1002560KR		SPRING WASHER 10X18X2.5				*		1	
3		B3307012000		THREAD GUIDE				*		2	
4	D	B3310012000		POSITION CUP SET SCREW				*		1	
5		WS0641560KR		SPRING WASHER 6.4X11.9X1.5				*		1	
6	D	B3309012000		POSITION CUP				*		1	
7	D	B3308012000		ROD WASHER				*		1	
8		B3306012000		SPOOL ROD				*		1	
9	D	NM6061061SE		NUT M6				*		1	
10		B3302012000		SPOOL REST ROD				*		1	
11	R	B3320704L00A	40085790	SPOOL PIN				*		2	1.00
12	D	B3311012000		SPOOL REST CUSHION				*		2	
13	R	11183209	40096354	SPOOL REST				*		1	1.00
14		WP0560860SE		WASHER 5.6X12X0.8				*		2	
15		WS0531060KR		SPRING WASHER 5.3X8.3X1				*		2	
16		NS6123881SE		NUT 3/16-28				*		2	
17		SM9061080SE		SCREW M6 L=10				*		1	
18		NM6100663SE		NUT M10				*		2	
19	R	SK3452000SE	SK3452001SE	WOOD SCREW D=4.5 L=20				*		3	1.00
20	R	11183100	40096354	THREAD STAND				*		1	1.00



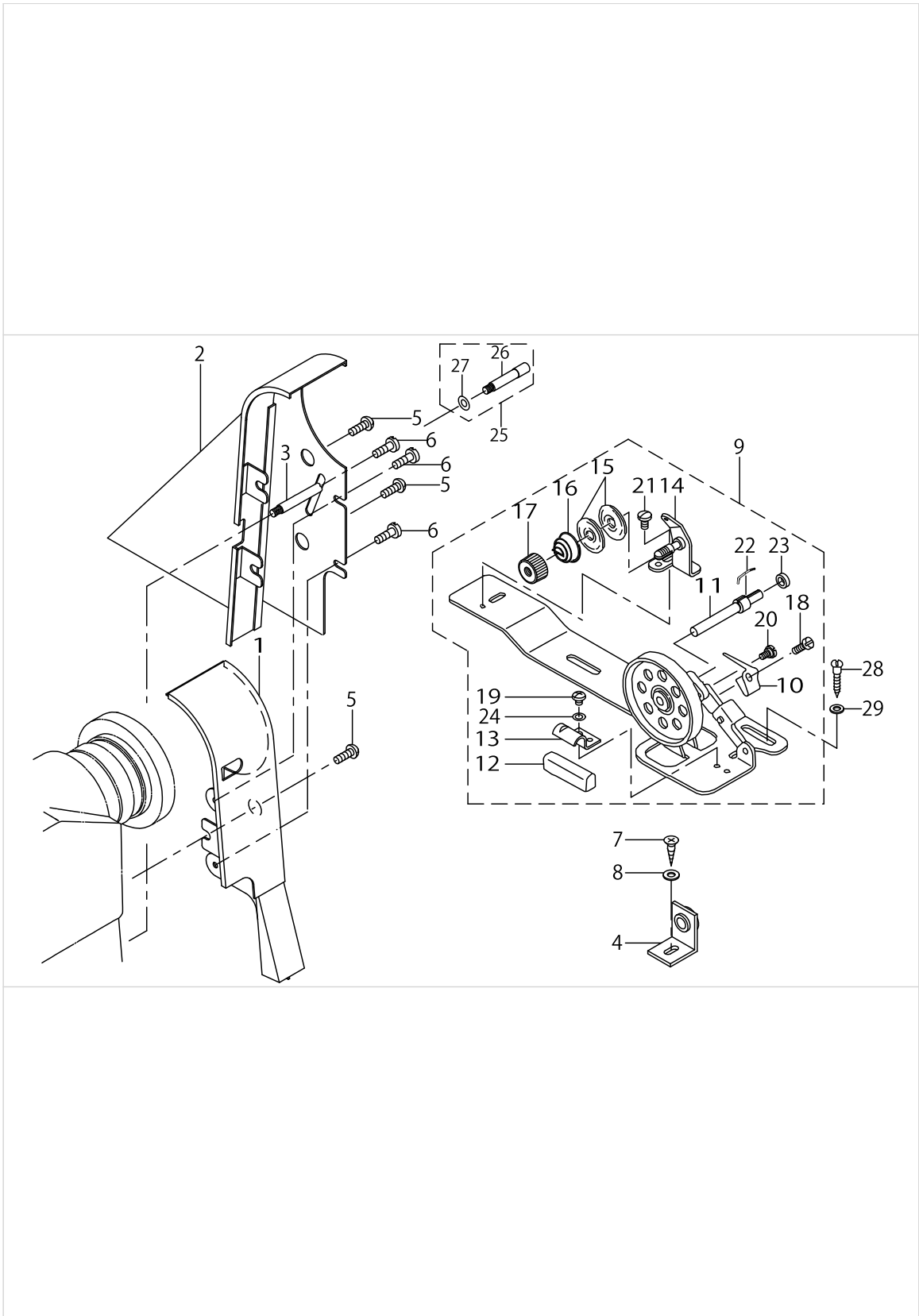
THREAD STAND COMPONENTS(2)



THREAD STAND COMPONENTS(2)

No.	Supply Code	Parts No.	Replacement	Parts name	Remarks	Choice	Step	Level	Cons	Qty	Rep. QTY
1	R	13946751	MAO11532000	THREAD STAND ASM.		A				1	3.00
1	R	13946751	40096354	THREAD STAND ASM.						1	1.00
2	R	11185105	40096354	SPOOL REST ROD,LOWER				*		1	1.00
3	R	11185204	40096354	SPOOL REST ROD,UPPER				*		1	1.00
4	D	11969409		THREAD GUIDE ARMB				*		2	
5	R	B3305704000A	40096354	SPOOL REST ROD JOINT				*		1	1.00
6		B3318704L00A		THREAD GUIDE ARM JOINT				*		2	
7	R	B3311704000	22931406	SPOOL REST ROD CAP				*		1	1.00
8	R	B3320704L00A	40085790	SPOOL PIN				*		2	1.00
9	R	11966504	22930804	SPOOL REST				*		2	1.00
10	D	B3311012000		SPOOL REST CUSHION				*		2	
11	D	11185501		SPOOL RETAINER				*		2	
12	R	B3317704000	NM6160511SE	NUT				*		1	1.00
13	R	B3319704L00	22931208	THREAD GUIDE				*		2	1.00
14		WP1612616SE		WASHER 16X30X2.6				*		2	
15		SM4051405SE		SCREW M5 L=14				*		2	
16		NM6050001SE		NUT M5				*		2	
17		SM6061610SC		SCREW M6 L=16				*		2	
18		NM6050001SE		NUT M5				*		2	
19		MAO11532000		CORD STAPLE				*		3	

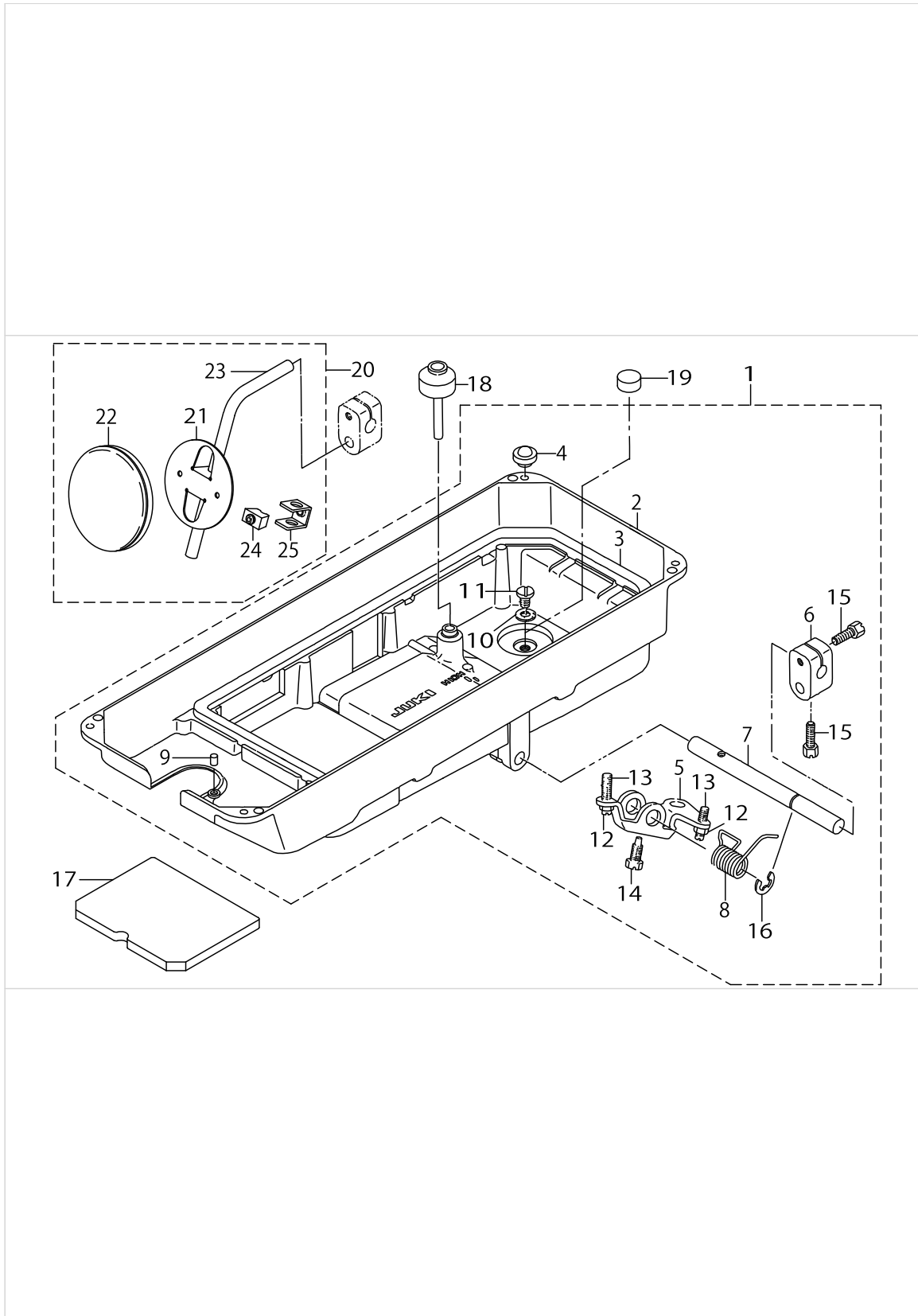
# BELT COVER COMPONENTS



BELT COVER COMPONENTS

No.	Supply Code	Parts No.	Replacement	Parts name	Remarks	Choice	Step	Level	Cons	Qty	Rep. QTY
1	D	22535009		BELT COVER A						1	
2	R	22535108	SK3412001SE	BELT COVER B		A				1	2.00
2	R	22535108	22535603	BELT COVER B		A				1	2.00
2	R	22535108	40038990	BELT COVER B		A				1	1.00
2	R	22535108	WP0450826SC	BELT COVER B		A				1	2.00
2	R	22535108	WP0450801SD	BELT COVER B		A				1	2.00
2	R	22535108	SS4110915SP	BELT COVER B		A				1	2.00
2	R	22535108	SS4151215SP	BELT COVER B		A				1	2.00
2	R	22535108	40101337	BELT COVER B						1	1.00
3	R	10039105	40101337	BELT COVER SUPPORT STUD						1	1.00
4		10039659		BELT COVER PRESS PLATE						1	
5		SS4150915SP		SCREW 15/64-28 L=9						3	
6		SS6110480SP		SCREW 11/64-40 L=4.3						3	
7	R	SK3482500SC	SK3482501SE	WOOD SCREW D=4.8 L=25						1	1.00
8		WP0501016SC		WASHER 5X10.5X1						1	
9	D	22536957		BOBBIN DEVICE ASM.						1	
10		22537203		BOBBIN PRESSER				*		1	
11	D	22537302		BOBBIN WINDER POST				*		1	
12		B3211555000		RUBBER BRAKE				*		1	
13		11078102		PRESSER PLATE				*		1	
14		11078250		THREAD TENSION BRACKET ASM.				*		1	
15	R	B3126012000	22921506	THREAD TENSION DISK				*		2	1.00
16	R	B3129012B00	22929004	THREAD TENSION SPRING				*		1	1.00
17		11072204		TENSION NUT				*		1	
18		SS7081310SP		SCREW 1/8-44 L=12.5				*		1	
19		SS4110515SP		SCREW 11/64-40 L=5				*		1	
20		SD0490261SP		HINGE SCREW D=4.9 H=2.6				*		1	
21		SS7110840SP		SCREW 11/64-40 L=7.8				*		1	
22		B3224771000		COLLAR				*		1	
23		B3210771000		BOBBIN STOP SPRING				*		1	
24		WP0480856SP		WASHER 4.8X8.4X0.8				*		1	
25		22535462		SYNCHRONIZER SUPPORT ASM.	SPECIAL ORDER PART					1	
26		22535454		SYNCHRONIZER SUPPORT ASM.				*		1	
27		WP0450801SD		WASHER 4.5X10X0.8				*		1	
28	R	SK3482500SC	SK3482501SE	WOOD SCREW D=4.8 L=25						2	1.00
29		WP0501016SC		WASHER 5X10.5X1						2	

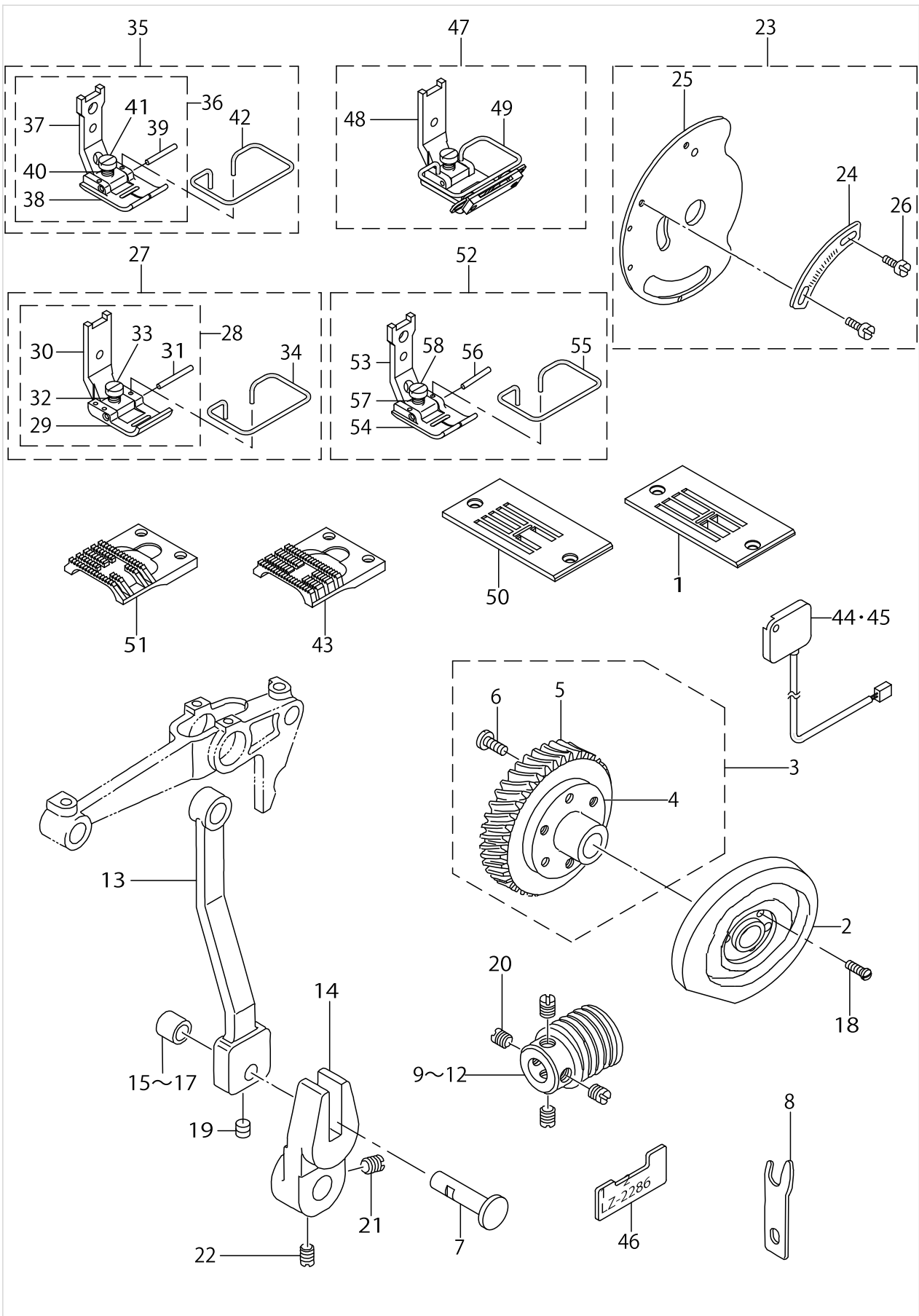
OIL RESERVOIR & KNEE LIFTER COMPONENTS



OIL RESERVOIR & KNEE LIFTER COMPONENTS

No.	Supply Code	Parts No.	Replacement	Parts name	Remarks	Choice	Step	Level	Cons	Qty	Rep. QTY
1	R	22534051	23502651	OIL RESERVOIR ASM.						1	1.00
2	R	22534002	23502651	OIL RESERVOIR				*		1	1.00
3		10038107		OIL RESERVOIR GASKET				*		1	
4		11047107		RUBBER CUSHION				*		4	
5	R	11024007	22932156	CONNECTING ROD, VERTICAL				*		1	1.00
6	R	11024502	22932453	KNEE PRESS LOD BEARING BRACKET				*		1	1.00
7	R	11024205	22932305	KNEE PRESS ROD				*		1	1.00
8	R	11024106	22932206	SPRING				*		1	1.00
9		B1115850000		RUBBER PLUG				*		1	
10		RO098240100		RUBBER RING				*		1	
11		SS6700710SH		SCREW 5/16-24 L=7				*		1	
12	R	NS6150430SR	NS6150430SP	NUT 15/64-28				*		2	1.00
13		SS8153010SR		SCREW 15/64-28 L=30				*		2	
14		SS9151810SR		SCREW				*		1	
15		SS9182010SN		SCREW 9/32-20 L=20				*		2	
16		RE1000000K0		E-RING 10				*		1	
17		22534101		OIL RESERVOIR BASE						1	
18		B3421555000		KNEE PRESS LIFTER ROD						1	
19		B8228125000		OIL RESERVOIR MAGNET						1	
20	R	11023751	22934251	KNEE PRESS PLATE ASM.						1	1.00
21	R	11023702	22934202	KNEE PRESS PLATE				*		1	1.00
22	R	B3431552000A	22934509	KNEE PRESS PLATE COVER				*		1	1.00
23	R	B3419122000	22934608	KNEE LIFTER PLATE ROD				*		1	1.00
24	R	11024403	22934400	RUBBER				*		1	1.00
25	R	11023801	22934301	KNEE PRESS PLATE HOLDER				*		1	1.00

EXCLUSIVE PARTS FOR LZ-2286

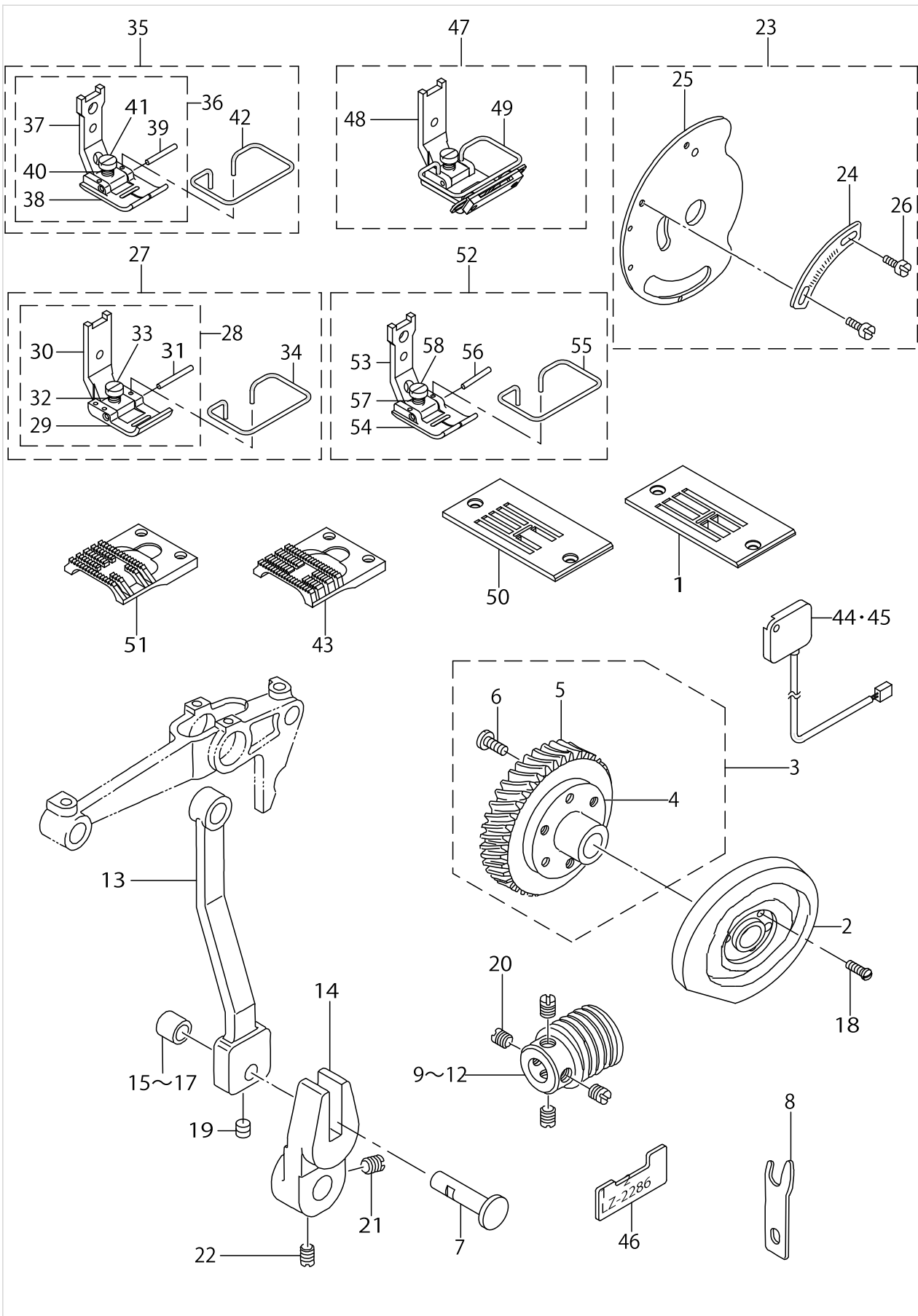


EXCLUSIVE PARTS FOR LZ-2286

No.	Supply Code	Parts No.	Replacement	Parts name	Remarks	Choice	Step	Level	Cons	Qty	Rep. QTY
1	R	22581409	22582407	THROAT PLATE	VARIOUS NOS.FOR DESTINATIONS					1	1.00
2		22585400		NEEDLE VIBRATING CAM A						1	
3	R	22585657	40125633	WORM WHEEL COMPL.						1	1.00
4	R	22585608	40125633	WORM WHEEL HUB				*		1	1.00
5	R	10043412	10043461	WORM WHEEL				*		1	1.00
6	R	SS7111120SP	SS7111120TP	SCREW 11/64-40 L=10.5				*		3	1.00
7		22585707		SHAFT						1	
8		22586507		STOPPER						1	
9	R	10043016	22527303	WORM A	SELECTIVE PART					1	1.00
10	D	10043115		WORM B	SELECTIVE PART					1	
11	D	10043214		WORM C	SELECTIVE PART					1	
12		10043313		WORM D	SELECTIVE PART					1	
13		10044014		NEEDLE VIBRATING ROD						1	
14		10044105		ROD GUIDE						1	
15		B2502280B0A		FEED CAM ROLLER	SELECTIVE PART					1	
16		B2502280B0B		FEED CAM ROLLER	SELECTIVE PART					1	
17		B2502280B0C		FEED CAM ROLLER	SELECTIVE PART					1	
18	R	SS7111410SP	SS7111410TP	SCREW 11/64-40L=14						3	1.00
19		SS8110422TP		SCREW 11/64-40 L=4						1	
20		SS8660610TP		SCREW 1/4-40 L=6						4	
21		SS8660810TP		SCREW 1/4-40 L=8						1	
22		SS8660970TP		SCREW 1/4-40 L= 8.5						1	
23	R	22586259	22586267	SCALE ASM.						1	1.00
24		22586200		SCALE				*		1	
25	R	22512453	26306951	SCALE MOUNTING BASE COMPL.				*		1	1.00
26		SS6080320SP		SCREW 1/8-44 L= 2.5				*		2	
27		22580864		PRESSER ASM.	VARIOUS NOS.FOR DESTINATIONS					1	
28		10055069		PRESSER A ASM.	VARIOUS NOS.FOR DESTINATIONS			*		1	
29		10055002		PRESSER LOWER A				*		1	
30		10021004		PRESSER UPPER				*		1	
31	R	10056109	22580864	PRESSER PIN A		A	LZ-2280/2-280N/2290/2290A	*		1	1.00
31	R	10056109	10055051	PRESSER PIN A		B	LZ-2280N	*		1	1.00
31	R	10056109	40003542	PRESSER PIN A		C	LZ-2290A	*		1	1.00
32		B1525582000		SPRING				*		1	
33		SS6090810SP		SCREW 9/64-40 L= 7.5				*		1	
34		22580302		SAFETY COVER				*		1	
35		22580260		PRESSER FOOT ASM.	VARIOUS NOS.FOR DESTINATIONS					1	
36	R	22580252	22580260	PRESSER FOOT ASM.	VARIOUS NOS.FOR DESTINATIONS			*		1	1.00
37	R	22545206	22547558	PRESSER FOOT (UPPER)				*		1	1.00
38		22580203		PRESSER FOOT (LOWER)				*		1	
39		10021103		PRESSER PIN				*		1	



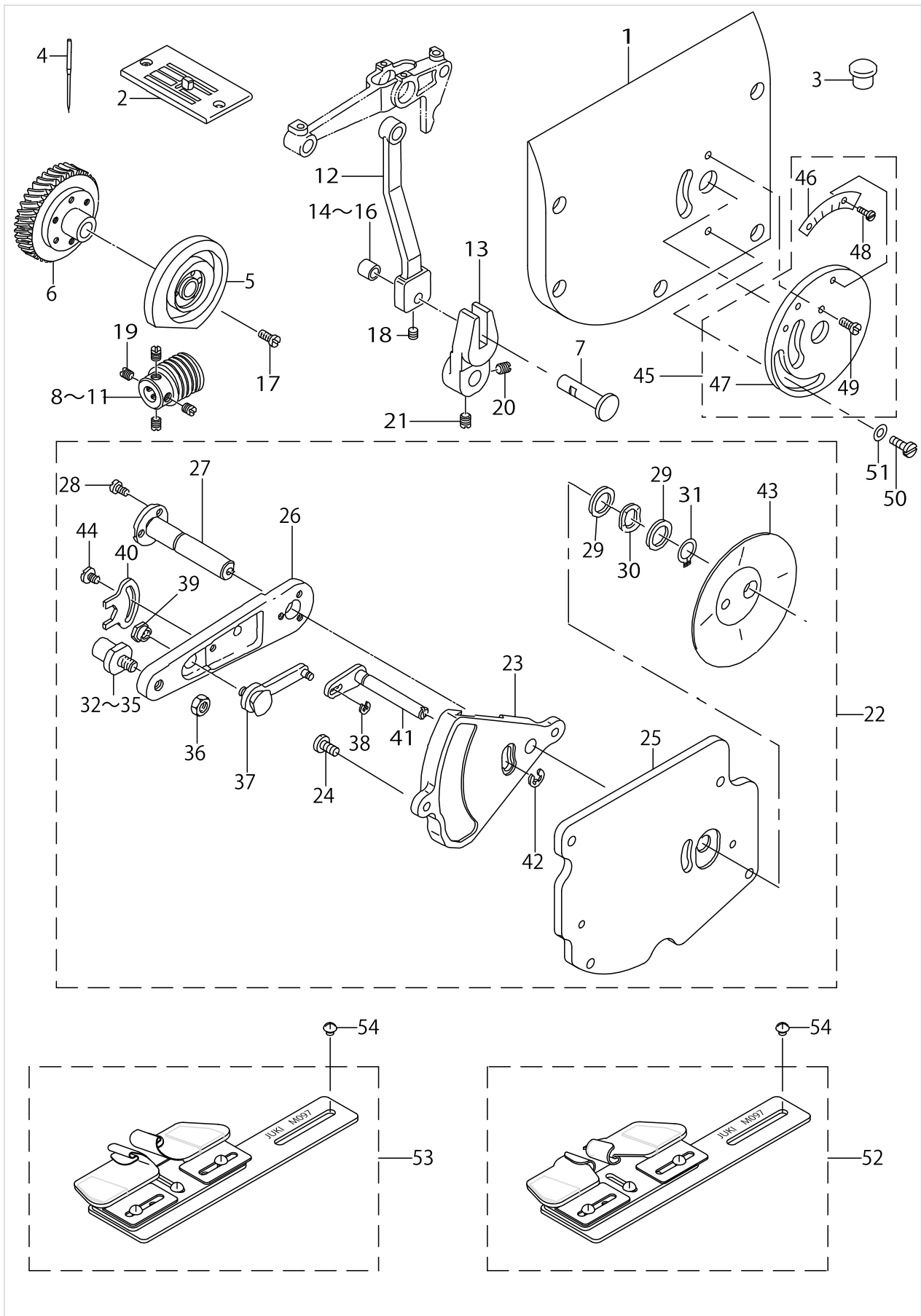
EXCLUSIVE PARTS FOR LZ-2286



EXCLUSIVE PARTS FOR LZ-2286

No.	Supply Code	Parts No.	Replacement	Parts name	Remarks	Choice	Step	Level	Cons	Qty	Rep. QTY
40		B1525582000		SPRING				*		1	
41		SS6090810SP		SCREW 9/64-40 L=7.5				*		1	
42		22545404		SAFETY COVER				*		1	
43		22581508		FEED DOG	VARIOUS NOS.FOR DESTINATIONS					1	
44		M6094350AAL		RESISTANCE PACK AL ASM.	FOR LZ-2286-7					1	
45		M6094350AAF		RESISTANCE PACK AF ASM.	VARIOUS NOS.FOR DESTINATIONS					1	
46		22586705		TIMING GAUGE						1	
47		MAB109000B0		TAPING FOOT	FOR LZ-22-86T,2286RT					1	
48		MAB109000A0		TAPING PRESSER ASM.				*		1	
49		22545404		SAFETY COVER				*		1	
50	D	22580005		THROAT PLATE	VARIOUS NOS.FOR DESTINATIONS					1	
51	D	22580104		FEED DOG	VARIOUS NOS.FOR DESTINATIONS					1	
52		22584965		PRESSER FOOT ASM.	VARIOUS NOS.FOR DESTINATIONS					1	
53	R	22545206	22547558	PRESSER FOOT (UPPER)				*		1	1.00
54	R	22584908	22584965	PRESSER FOOT (LOWER)				*		1	1.00
55		22545404		SAFETY COVER				*		1	
56		10021103		PRESSER PIN				*		1	
57		B1525582000		SPRING				*		1	
58		SS6090810SP		SCREW 9/64-40 L=7.5				*		1	

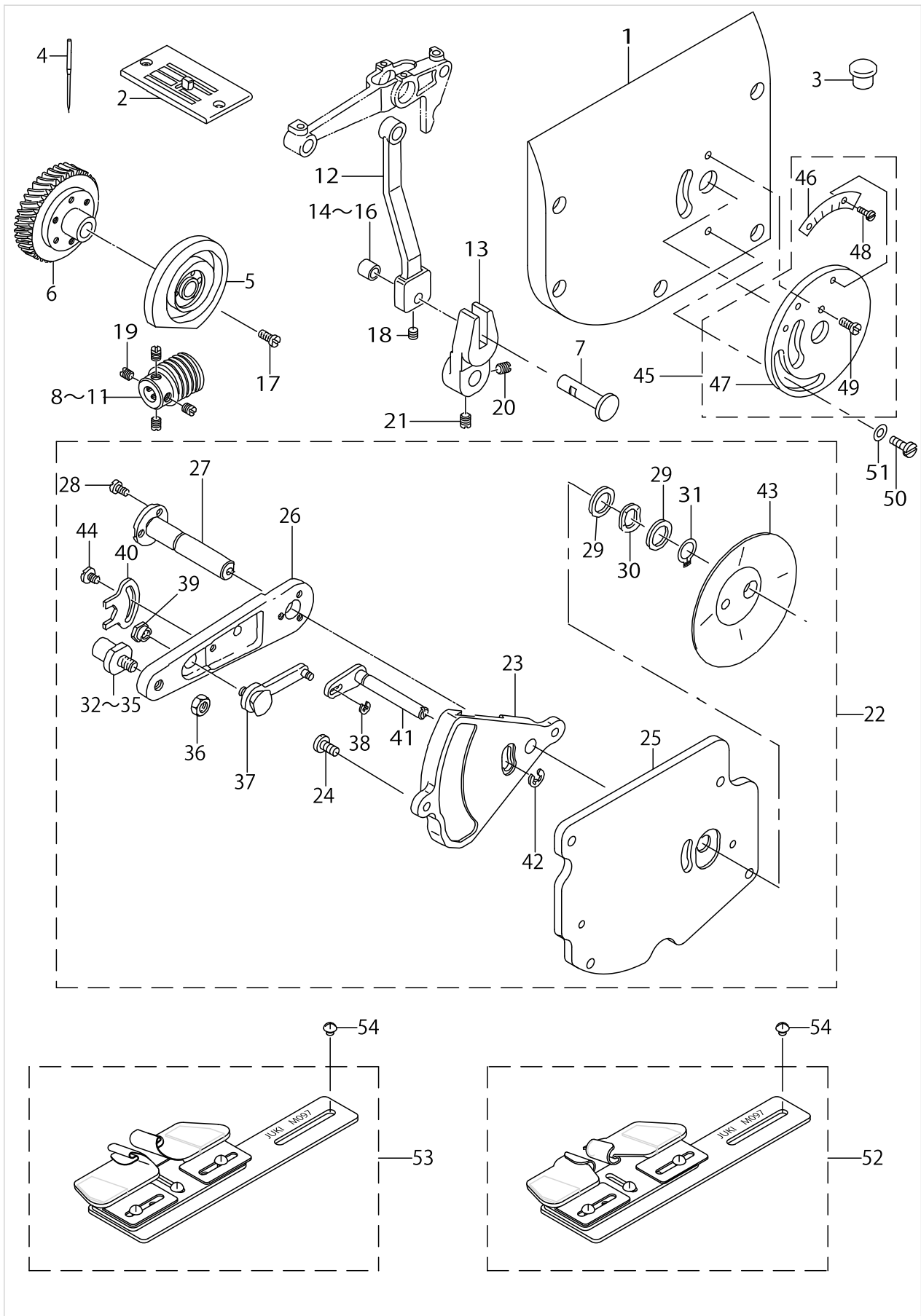
EXCLUSIVE PARTS FOR LZ-2285(1)



EXCLUSIVE PARTS FOR LZ-2285(1)

No.	Supply Code	Parts No.	Replacement	Parts name	Remarks	Choice	Step	Level	Cons	Qty	Rep. QTY
1		22592505		ARM SIDE COVER						1	
2		10061554		THROAT PLATE ASM.						1	
3		TA1871602R0		RUBBER PLUG						1	
4		MC1923F0800		NEEDLE 438SUK 80						1	
5		22585509		NEEDLE VIBRATING CAM						1	
6	R	22585657	40125633	WORM WHEEL COMPL.						1	1.00
7		22585707		SHAFT						1	
8	R	10043016	22527303	WORM A	SELECTIVE PART					1	1.00
9	D	10043115		WORM B	SELECTIVE PART					1	
10	D	10043214		WORM C	SELECTIVE PART					1	
11		10043313		WORM D	SELECTIVE PART					1	
12		10044014		NEEDLE VIBRATING ROD						1	
13		10044105		ROD GUIDE						1	
14		B2502280B0A		FEED CAM ROLLER	SELECTIVE PART					1	
15		B2502280B0B		FEED CAM ROLLER	SELECTIVE PART					1	
16		B2502280B0C		FEED CAM ROLLER	SELECTIVE PART					1	
17	R	SS7111410SP	SS7111410TP	SCREW 11/64-40L=14						3	1.00
18		SS8110422TP		SCREW 11/64-40 L=4						1	
19		SS8660610TP		SCREW 1/4-40 L=6						4	
20		SS8660810TP		SCREW 1/4-40 L=8						1	
21		SS8660970TP		SCREW 1/4-40 L= 8.5						1	
22		22592653		BASE ASM.						1	
23		10054112		ARM SETTING BASE				*		1	
24		SS7110910TP		SCREW 11/64-40 L= 8.5				*		2	
25		22592604		MOUNTING PLATE				*		1	
26	R	10016012	26301507	ARM				*		1	1.00
27	R	22512701	26307306	SHAFT				*		1	1.00
28	R	SS6090620SP	SS6090620TP	SCREW 9/64-40 L=6				*		3	1.00
29		WP1020616SD		WASHER				*		2	
30		WZ1052010KP		WAVED WASHER				*		1	
31		RC0100001KP		SNAP RING M10				*		1	
32		10016210		SHAFT	SELECTIVE PART			*		1	
33		10016319		SHAFT	SELECTIVE PART			*		1	
34		10016418		SHAFT	SELECTIVE PART			*		1	
35		10016517		SHAFT	SELECTIVE PART			*		1	
36		NS6150310SP		NUT 15/64-28				*		1	
37		10017168		STOPPER ASM.				*		1	
38		RE0200000K0		E-RING				*		1	
39		10018000		NUT				*		1	
40		10018109		NUT STOPPER				*		1	
41		10015360		LEVER ASM.				*		1	
42		RE0400000K0		E-RING 4				*		1	
43		10017606		OIL SHIELD				*		1	
44		SS6090520SP		SCREW 9/64-40 L= 5.0				*		1	
45		22590053		SCALE ASM.				*		1	
46		22586200		SCALE				*		1	

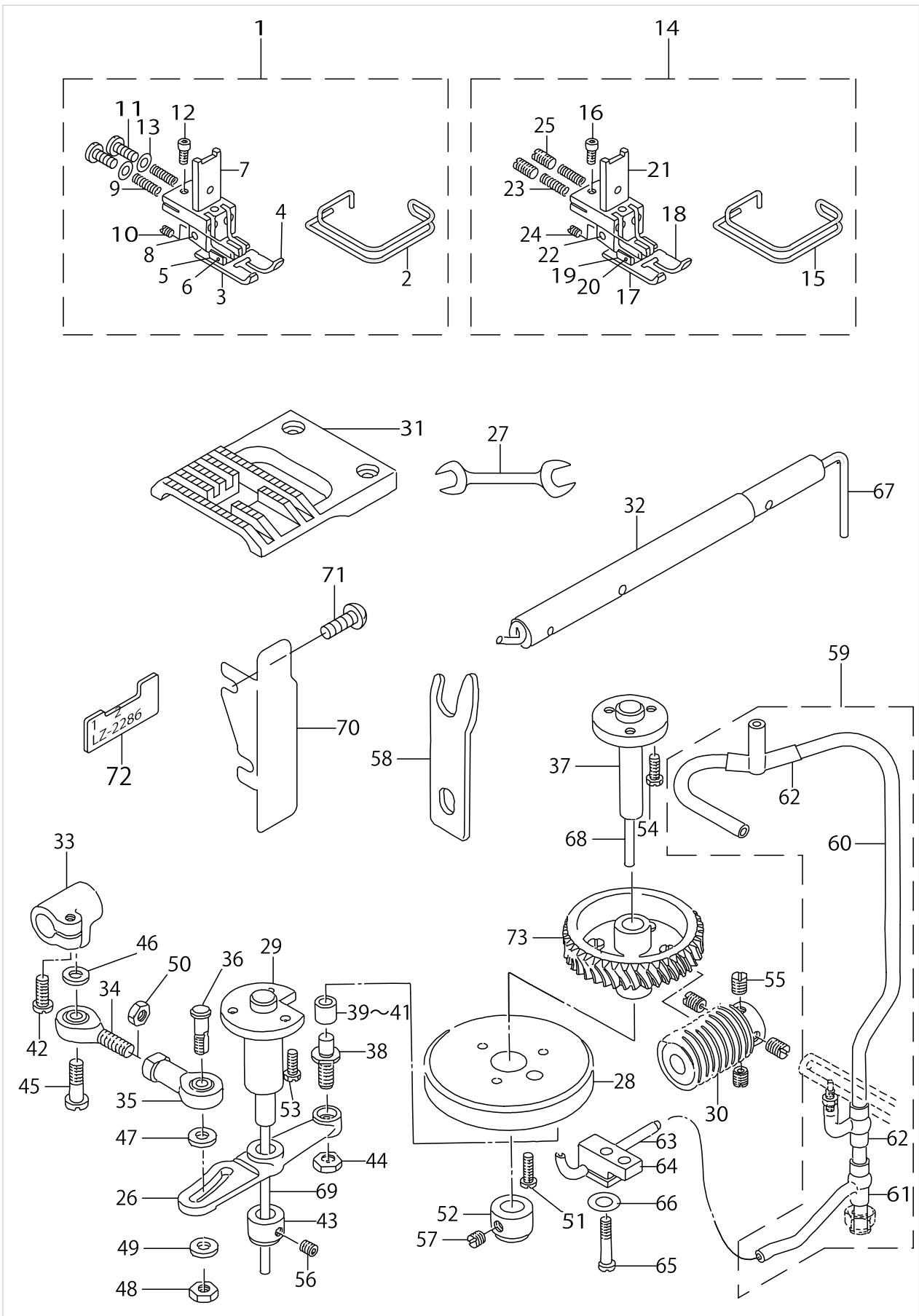
EXCLUSIVE PARTS FOR LZ-2285(1)



EXCLUSIVE PARTS FOR LZ-2285(1)

No.	Supply Code	Parts No.	Replacement	Parts name	Remarks	Choice	Step	Level	Cons	Qty	Rep. QTY
47		22592802		SCALE MOUNTING BASE				*		1	
48		SS6080320SP		SCREW 1/8-44 L= 2.5				*		2	
49	R	SS6111010SP	SS6111010TP	SCREW 11/64-40 L= 9.5				*		1	1.00
50		SS6110510SP		SCREW 11/64-40 L=5						1	
51		WP0480856SP		WASHER 4.8X8.4X0.8						1	
52		MAM097000A0		FAGOTTING FELLER	SPECIAL ORDER PART					1	
53		MAM09700BA0		FAGOTING FOLDER ASM.						1	
54		SS5110710SP		SCREW 11/64-40 L=7						2	

EXCLUSIVE PARTS FOR LZ-2285(2)

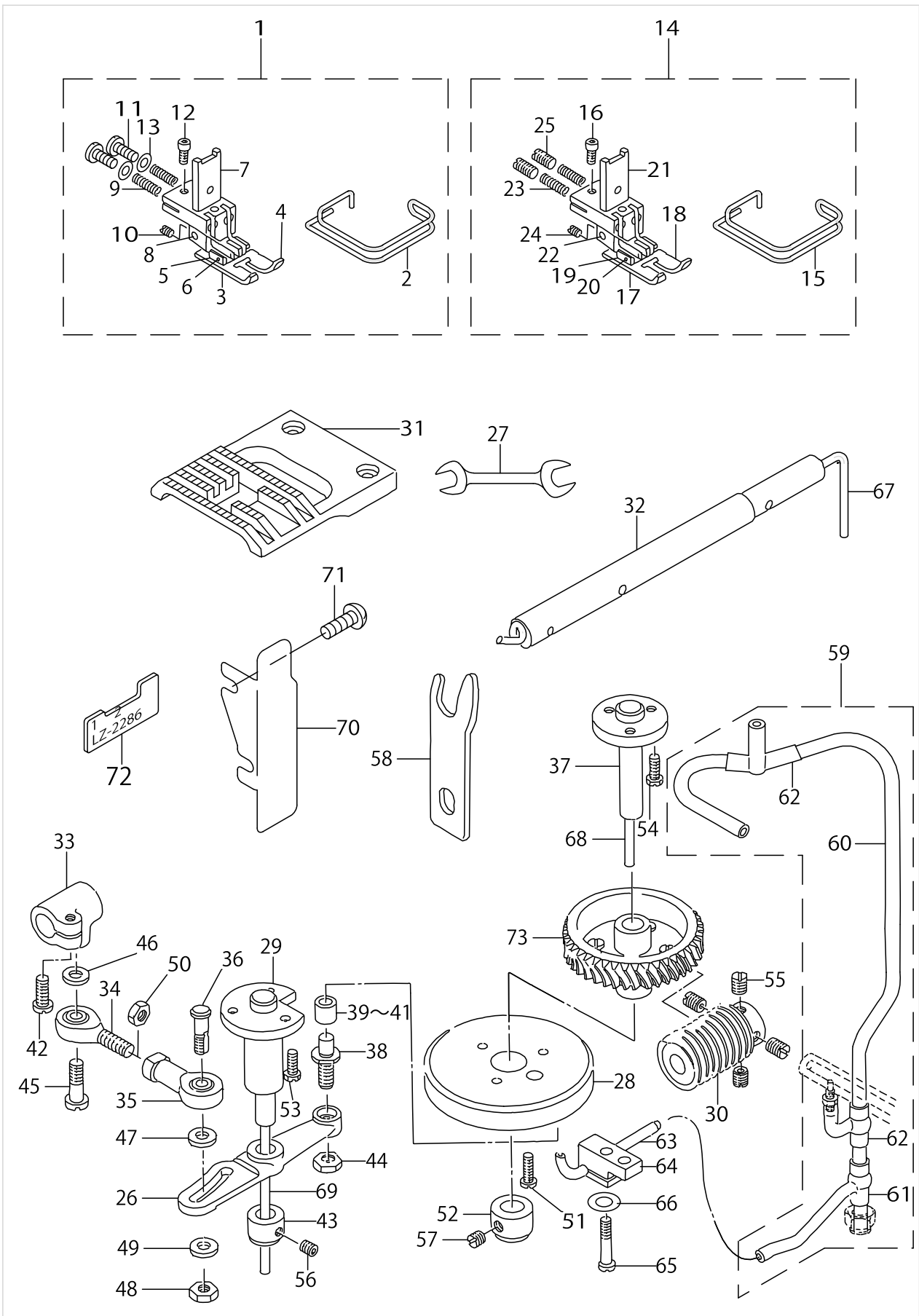


EXCLUSIVE PARTS FOR LZ-2285(2)

No.	Supply Code	Parts No.	Replacement	Parts name	Remarks	Choice	Step	Level	Cons	Qty	Rep. QTY
1		22591564		PRESSER FOOT ASM.	NO NECES- SARY PART ACCORDIN- G TO DES- TINATIONS					1	
2		22591101		FINGER GUARD				*		1	
3	R	10062701	10062750	PRESSERFOOT, LEFT				*		1	1.00
4	R	10062800	10062750	PRESSER FOOT, RIGHT				*		1	1.00
5		22591408		PRESSER FOOT ASM.				*		2	
6	R	10063303	10062750	PIN				*		2	1.00
7		10063402		PRESSER FOOT, UPPER				*		1	
8	D	10063501		PIN				*		1	
9		10063600		SPRING				*		2	
10		SS8080410TP		SCREW 1/8-44 L=3.5				*		1	
11		SS7111110TP		SCREW 11/64-40 L=10.5				*		2	
12		SS6580752TP		SCREW 1/8-40 L=7				*		1	
13		WP0220300SC		WASHER				*		2	
14		22591663		PRESSER FOOT ASM.	SPECIAL ORDER PART					1	
15		22591101		FINGER GUARD				*		1	
16		SS6580752TP		SCREW 1/8-40 L=7				*		1	
17	R	10062701	10062750	PRESSERFOOT, LEFT				*		1	1.00
18	R	10062800	10062750	PRESSER FOOT, RIGHT				*		1	1.00
19	R	10063204	10062750	PRESSER FOOT ARM				*		2	1.00
20	R	10063303	10062750	PIN				*		2	1.00
21		10063402		PRESSER FOOT, UPPER				*		1	
22	D	10063501		PIN				*		1	
23		10063600		SPRING				*		2	
24		SS8080410TP		SCREW 1/8-44 L=3.5				*		1	
25		SS8111010TP		SCREW 11/64-40 L=9.5				*		2	
26		22590301		LEVER						1	
27		B9113012000		WRENCH (9X10)						1	
28		22590400		FEED CAM						1	
29		22590509		SHAFT						1	
30		10063808		WORM						1	
31		10064004		FEED DOG						1	
32		10064103		FEED ROCKERSHAFT						1	
33		10064202		FEED ROCKER SHAFT CRANK						1	
34		10064301		BALL JOINT A						1	
35		10064400		BALL JOINT B						1	
36		10064608		FEED REGULATOR						1	
37	D	10064905		FEED CAM SHAFT						1	
38		10065001		FEED CAM ROLLER SHAFT						1	
39	R	B250228000A	26224709	FEED CAM ROLLER A	SELECTIVE PART					1	1.00
40	R	B250228000B	26239806	FEED CAM ROLLER B	SELECTIVE PART					1	1.00
41	R	B250228000C	26239905	FEED CAM ROLLER C						1	1.00
42		SS6121210SP		SCREW 3/16-28 L=12						1	
43		CS1031210SH		THRUST COLLAR A- SM. D=10.32 W=1						1	



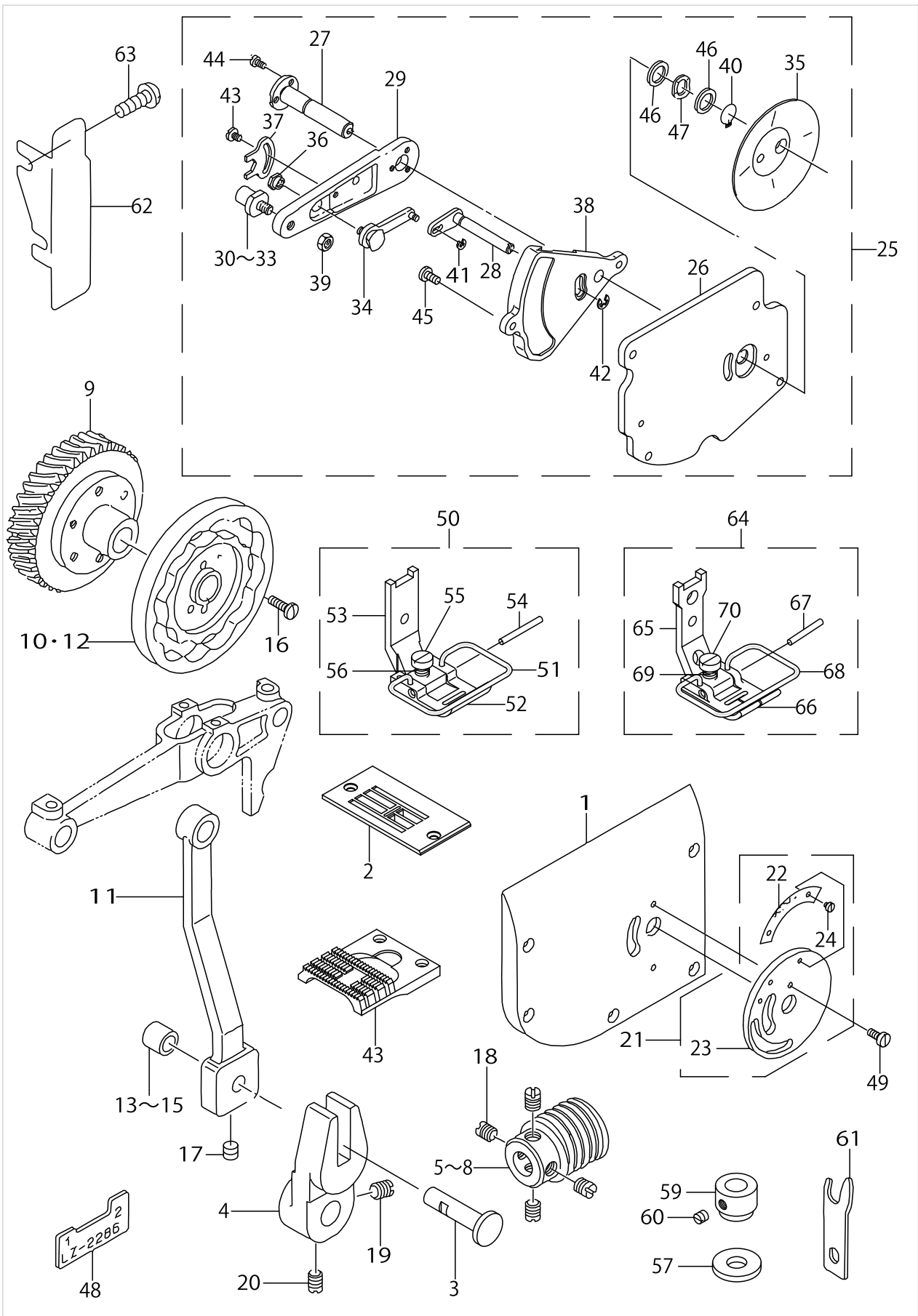
EXCLUSIVE PARTS FOR LZ-2285(2)



EXCLUSIVE PARTS FOR LZ-2285(2)

No.	Supply Code	Parts No.	Replacement	Parts name	Remarks	Choice	Step	Level	Cons	Qty	Rep. QTY
44		NS6150430SP		NUT 15/64-28						1	
45		SD0601051SP		HIGE SCREWD=6H=13						1	
46		WP0612066SP		WASHER 6.1X11X2						1	
47		WP0612066SP		WASHER 6.1X11X2						1	
48		NS6150430SP		NUT 15/64-28						1	
49		WP0621016SH		WASHER						1	
50		NM6060001SE		NUT M6						1	
51	R	SS7111410SP	SS7111410TP	SCREW 11/64-40L=14						3	1.00
52		CS1031210SH		THRUST COLLAR A-SM. D=10.32 W=1						1	
53		SS9661120CP		SCREW 1/4-40 L=10.5						3	
54		SS9661120CP		SCREW 1/4-40 L=10.5						3	
55		SS8660610TP		SCREW 1/4-40 L=6						4	
56		SS8660610TP		SCREW 1/4-40 L=6						2	
57		SS8660610TP		SCREW 1/4-40 L=6						2	
58		22586507		STOPPER						1	
59		22590855		OIL SUPPLY PIPE ASM.						1	
60		22590806		OIL SUPPLY PIPE				*		1	
61		10035509		RUBBER JOINT				*		1	
62		B3527552000		RUBBER JOINT				*		2	
63		10065209		CAM OIL PIPE						1	
64		B3554481000		HOLDER						1	
65		SS4110915SP		SCREW 11/64-40 L=9						1	
66		WP0501016SD		WASHER 5X10.5X1						1	
67	D	CQ500600000		OIL WICK						.3	
68	D	CQ500600000		OIL WICK						.1	
69		CQ303000000		OIL WICK						.1	
70		22593107		BELT COVER						1	
71		SS4120615SP		SCREW 3/16-28 L=6						2	
72		22586705		TIMING GAUGE						1	
73		10043461		WORM WHEEL ASM.						1	

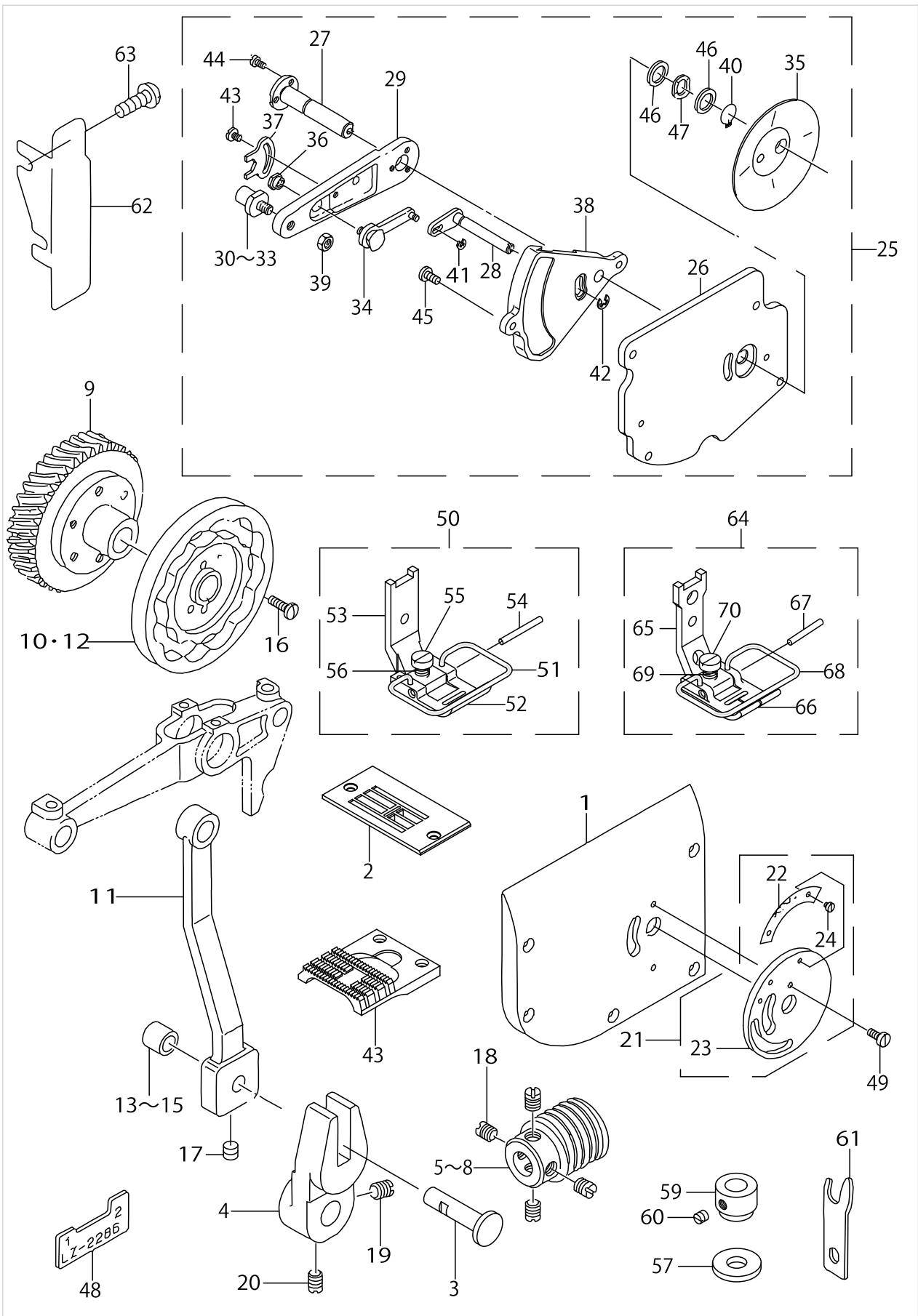
EXCLUSIVE PARTS FOR LZ-2287



EXCLUSIVE PARTS FOR LZ-2287

No.	Supply Code	Parts No.	Replacement	Parts name	Remarks	Choice	Step	Level	Cons	Qty	Rep. QTY
1		22592505		ARM SIDE COVER						1	
2	R	22581409	22582407	THROAT PLATE						1	1.00
3		22585707		SHAFT						1	
4		10044105		ROD GUIDE						1	
5	D	10053007		WORM ASM. A	SELECTIVE PART					1	
6	D	10053106		WORM B	SELECTIVE PART					1	
7	D	10053205		WORM C	SELECTIVE PART					1	
8	D	10053304		WORM D	SELECTIVE PART					1	
9		10053452		WORM WHEEL ASM.						1	
10		10053502		NEEDLE VIBRATING CAM A	FOR LZ-2287					1	
11	D	10054005		NEEDLE VIBRATING ROD						1	
12	D	10053601		NEEDLE VIBRATING CAM B	FOR LZ-2287B					1	
13		B2502280B0A		FEED CAM ROLLER	SELECTIVE PART					1	
14		B2502280B0B		FEED CAM ROLLER	SELECTIVE PART					1	
15		B2502280B0C		FEED CAM ROLLER	SELECTIVE PART					1	
16	R	SS7111410SP	SS7111410TP	SCREW 11/64-40L=14						3	1.00
17		SS8110422TP		SCREW 11/64-40 L=4						1	
18		SS8660610TP		SCREW 1/4-40 L=6						4	
19		SS8660810TP		SCREW 1/4-40 L=8						1	
20		SS8660970TP		SCREW 1/4-40 L= 8.5						1	
21		22592752		SCALE ASM.						1	
22		22592703		SCALE				*		1	
23		22592802		SCALE MOUNTING BASE				*		1	
24		SS6080320SP		SCREW 1/8-44 L= 2.5				*		2	
25		22592653		BASE ASM.						1	
26		22592604		MOUNTING PLATE				*		1	
27	R	22512701	26307306	SHAFT				*		1	1.00
28		10015360		LEVER ASM.				*		1	
29	R	10016012	26301507	ARM				*		1	1.00
30		10016210		SHAFT	SELECTIVE PART			*		1	
31		10016319		SHAFT	SELECTIVE PART			*		1	
32		10016418		SHAFT	SELECTIVE PART			*		1	
33		10016517		SHAFT	SELECTIVE PART			*		1	
34		10017168		STOPPER ASM.				*		1	
35		10017606		OIL SHIELD				*		1	
36		10018000		NUT				*		1	
37		10018109		NUT STOPPER				*		1	
38		10054112		ARM SETTING BASE				*		1	
39		NS6150310SP		NUT 15/64-28				*		1	
40		RC0100001KP		SNAP RING M10				*		1	
41		RE0200000K0		E-RING				*		1	
42		RE0400000K0		E-RING 4				*		1	
43		SS6090520SP		SCREW 9/64-40L= 5.0				*		1	
44	R	SS6090620SP	SS6090620TP	SCREW 9/64-40 L=6				*		3	1.00
45		SS7110910TP		SCREW 11/64-40 L= 8.5				*		2	
46		WP1020616SD		WASHER				*		2	

EXCLUSIVE PARTS FOR LZ-2287

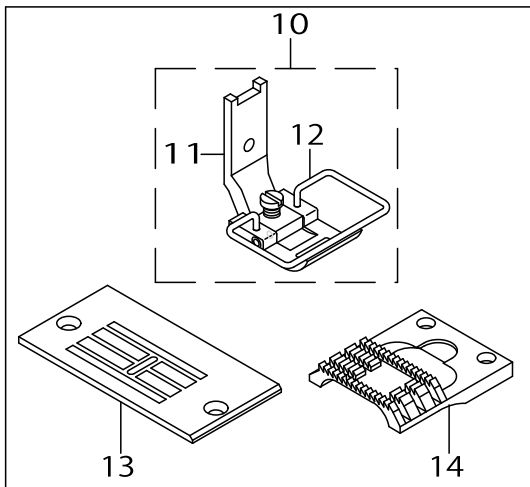


EXCLUSIVE PARTS FOR LZ-2287

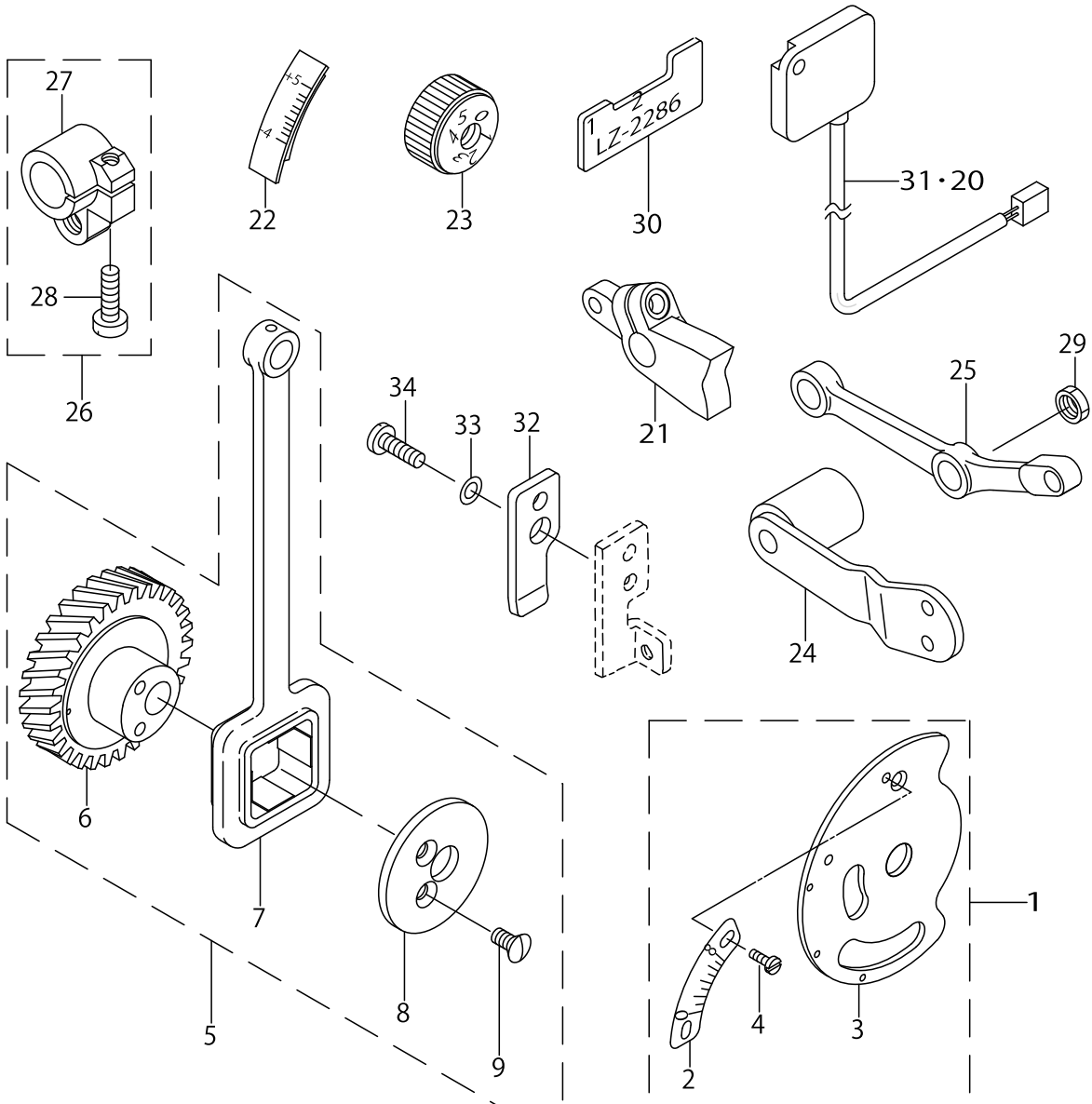
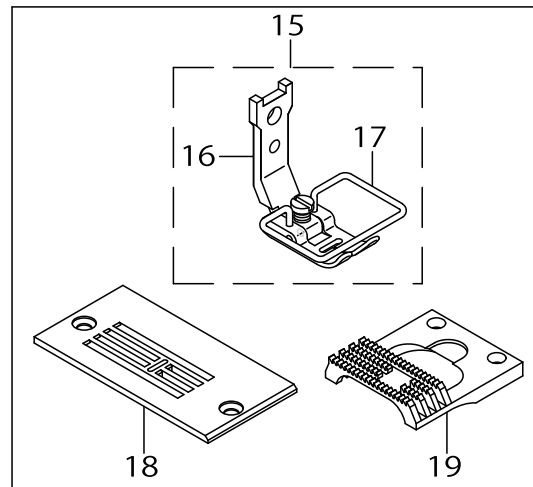
No.	Supply Code	Parts No.	Replacement	Parts name	Remarks	Choice	Step	Level	Cons	Qty	Rep. QTY	
47		WZ1052010KP		WAVED WASHER				*		1		
48		22586705		TIMING GAUGE						1		
49	R	SS6111010SP	SS6111010TP	SCREW 11/64-40 L= 9.5	VARIOUS NOS.FOR DESTINATIONS					1	1.00	
50		22580864		PRESSER ASM.							1	
51		22580302		SAFETY COVER					*		1	
52		10055002		PRESSER LOWER A					*		1	
53		10021004		PRESSER UPPER					*		1	
54	R	10056109	22580864	PRESSER PIN A			A	LZ-2280/2-280N/2290/2290A	*		1	1.00
54	R	10056109	10055051	PRESSER PIN A			B	LZ-2280N	*		1	1.00
54	R	10056109	40003542	PRESSER PIN A			C	LZ-2290A	*		1	1.00
55		SS6090810SP		SCREW 9/64-40 L= 7.5					*		1	
56		B1525582000		SPRING					*		1	
57	D	11527207		WASHER						1		
58		22581508		FEED DOG						1		
59		GS1031210SH		THRUST COLLAR A-SM. D=10.32 W=1						1		
60		SS8660610TP		SCREW 1/4-40 L=6						2		
61		22586507		STOPPER						1		
62		22593107		BELT COVER						1		
63		SS4120615SP		SCREW 3/16-28 L=6						2		
64		22584965		PRESSER FOOT ASM.	VARIOUS NOS.FOR DESTINATIONS					1		
65	R	22545206	22547558	PRESSER FOOT (UPPER)					*		1	1.00
66	R	22584908	22584965	PRESSER FOOT (LOWER)					*		1	1.00
67		10021103		PRESSER PIN					*		1	
68		22545404		SAFETY COVER					*		1	
69		B1525582000		SPRING					*		1	
70		SS6090810SP		SCREW 9/64-40 L= 7.5					*		1	

EXCLUSIVE PARTS FOR LZ-2281(-7)

FOR LZ-2281B  
LZ-2281B用



FOR LZ-2281A  
LZ-2281A用

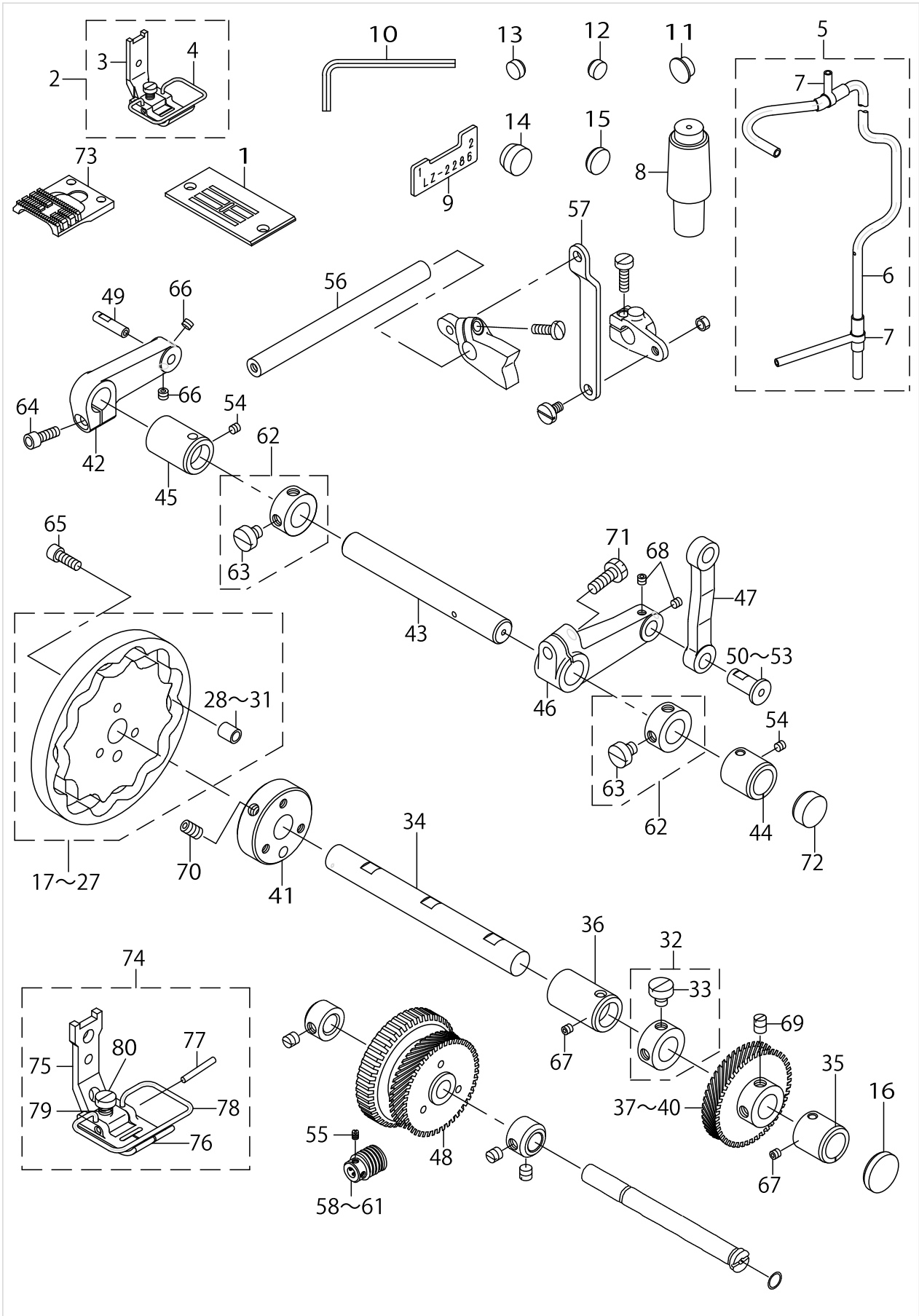


EXCLUSIVE PARTS FOR LZ-2281(-7)

No.	Supply Code	Parts No.	Replacement	Parts name	Remarks	Choice	Step	Level	Cons	Qty	Rep. QTY
1		22540751		SCALE PLATE ASM.						1	
2	D	22540702		SCALE PLATE				*		1	
3	R	22512453	26306951	SCALE MOUNTING BASE COMPL.				*		1	1.00
4		SS6080320SP		SCREW 1/8-44 L=2.5				*		2	
5		22542559		NEEDLE VIBRATING CAM ASM.						1	
6		22542500		NEEDLE VIBRATING CAM				*		1	
7		22510101		NEEDLE VIBRATING ROD				*		1	
8		22510200		CAM COVER				*		1	
9		SS2110920TP		SCREW 11/64-40 L=8.5				*		2	
10		22580369		PRESSER FOOT ASM.	FOR LZ-2281B					1	
11	R	10045060	10045052	PRESSER FOOT ASM.				*		1	1.00
12		22580302		SAFETY COVER				*		1	
13	R	22581409	22582407	THROAT PLATE	FOR LZ-2281B					1	1.00
14		22540009		FEED DOG	FOR LZ-2281B					1	
15		22548663		PRESSER FOOT ASM.	FOR LZ-2281A					1	
16	R	22548655	22548663	PRESSER FOOT ASM.				*		1	1.00
17		22547004		SAFETY COVER				*		1	
18		22548010		THROAT PLATE	FOR LZ-2281A					1	
19		22548119		FEED DOG	FOR LZ-2281A					1	
20		M6093350AAL		RESISTANCE PACK AL ASM.	FOR LZ-22-81-7(NO NECESSARY PART ACCORDING TO DESTINATIONS)					1	
21		22541106		FEED DRIVING ADJUSTER						1	
22		22540207		SCALE PLATE						1	
23		11071909		FEED DIAL						1	
24		22540454		BALANCE WEIGHT COMPL						1	
25	R	22541007	40010276	CONNECTING ROD						1	1.00
26		B16085550A0		FEED ROCKER SHAFT CRANK ASM.						1	
27		B1608555000		FEED ROCKER SHAFT CRANK ARM				*		1	
28		SS6121610TP		SCREW 3/16-28 L=15.5				*		1	
29		NS6680320SP		NUT 9/32-28						1	
30		22586705		TIMING GAUGE						1	
31	D	M6093350AAS		RESISTANCE PACK AS ASM.	FOR LZ-22-81-7(NO NECESSARY PART ACCORDING TO DESTINATIONS)					1	
32		22540108		PLATE B STOPPER PLATE						1	
33		SS7111410TP		SCREW 11/64-40 L=14						1	
34		WP0480856SP		WASHER 4.8X8.4X0.8						1	



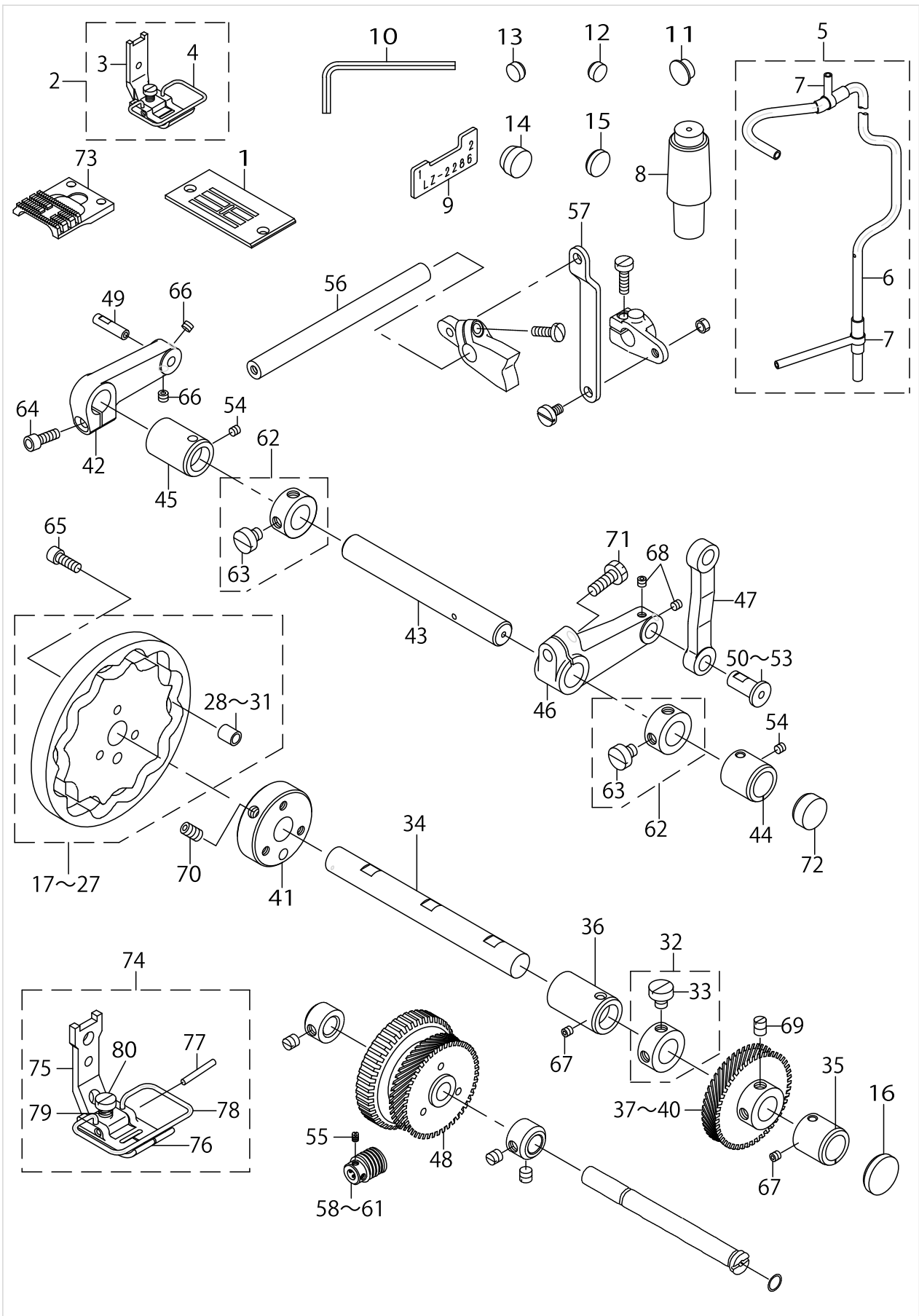
EXCLUSIVE PARTS FOR LZ-2288



EXCLUSIVE PARTS FOR LZ-2288

No.	Supply Code	Parts No.	Replacement	Parts name	Remarks	Choice	Step	Level	Cons	Qty	Rep. QTY
1	R	22581409	22582407	THROAT PLATE						1	1.00
2		22580864		PRESSER ASM.						1	
3		10055051		PRESSER A ASM.				*		1	
4		22580302		SAFETY COVER				*		1	
5		22574156		ARM SHAFT OIL PIPE ASM.						1	
6		22574107		ARM SHAFT OIL PIPE				*		1	
7		B3527552000		RUBBER JOINT				*		2	
8	D	22574255		HEAD SUPPORT ROD ASM.						1	
9		22586705		TIMING GAUGE						1	
10		17348905		SOCKETSCREWKEYS						1	
11		TA1050504R0		RUBBER PLUG						1	
12		TA0980502R0		RUBBER PLUG						4	
13		TA0980502R0		RUBBER PLUG						2	
14		TA1550902R0		RUBBER PLUG						1	
15		TA1750502R0		RUBBER PLUG						1	
16		TA2200502R0		RUBBER PLUG						1	
17	D	22568851		CAM A ASM.	FOR LZ-2288A					1	
18	D	22568950		CAM B ASM.	FOR LZ-2288B					1	
19	D	22569057		CAM C ASM.	FOR LZ-2288C					1	
20	D	22569156		CAM D ASM.	FOR LZ-2288D					1	
21	D	22569255		CAM E ASM.	FOR LZ-2288E					1	
22		22569354		NEEDLE VIBRATING CAM ASM. F	FOR LZ-2288F					1	
23		22569453		NEEDLE VIBRATING CAM ASM. G	FOR LZ-2288G					1	
24		22569552		NEEDLE VIBRATING CAM ASM. H						1	
25	D	22569651		NEEDLE VIBRATING CAM ASM. J	FOR LZ-2288J					1	
26		22569750		NEEDLE VIBRATING CAM ASM. K	FOR LZ-2288K					1	
27		22569859		NEEDLE VIBRATING CAM ASM. L	FOR LZ-2288L					1	
28		22571103		CAM ROLLER A	SELECTIVE PARTS			*		1	
29		22571202		CAM ROLLER B	SELECTIVE PARTS			*		1	
30		22571301		CAM ROLLER C	SELECTIVE PARTS			*		1	
31		22571400		CAM ROLLER D	SELECTIVE PARTS			*		1	
32	D	CS140111ATH		THRUST COLLAR A-SM. D=14 W=10.5						1	
33		SS6660710TP		SCREW 1/4-40 L=7				*		2	
34		22570006		CAM SHAFT						1	
35	D	22570105		CAM SHAFT METAL A						1	
36	D	22570204		CAM SHAFT BUSHING, B						1	
37		22570303		CAM SHAFT GEAR A	SELECTIVE PARTS					1	
38	D	22570402		CAM SHAFT GEAR B	SELECTIVE PARTS					1	
39		22570501		CAM SHAFT GEAR B	SELECTIVE PARTS					1	
40	D	22570600		CAM SHAFT GEAR D	SELECTIVE PARTS					1	
41		22570758		CAMHOLDERCOMPL.						1	
42		22570907		CAM ARM						1	
43	D	22571509		DRIVING SHAFT						1	
44		22571608		DRIVING SHAFT METAL A						1	
45	D	22571707		DRIVING SHAFT METAL B						1	
46		22571806		DRIVING ARM						1	

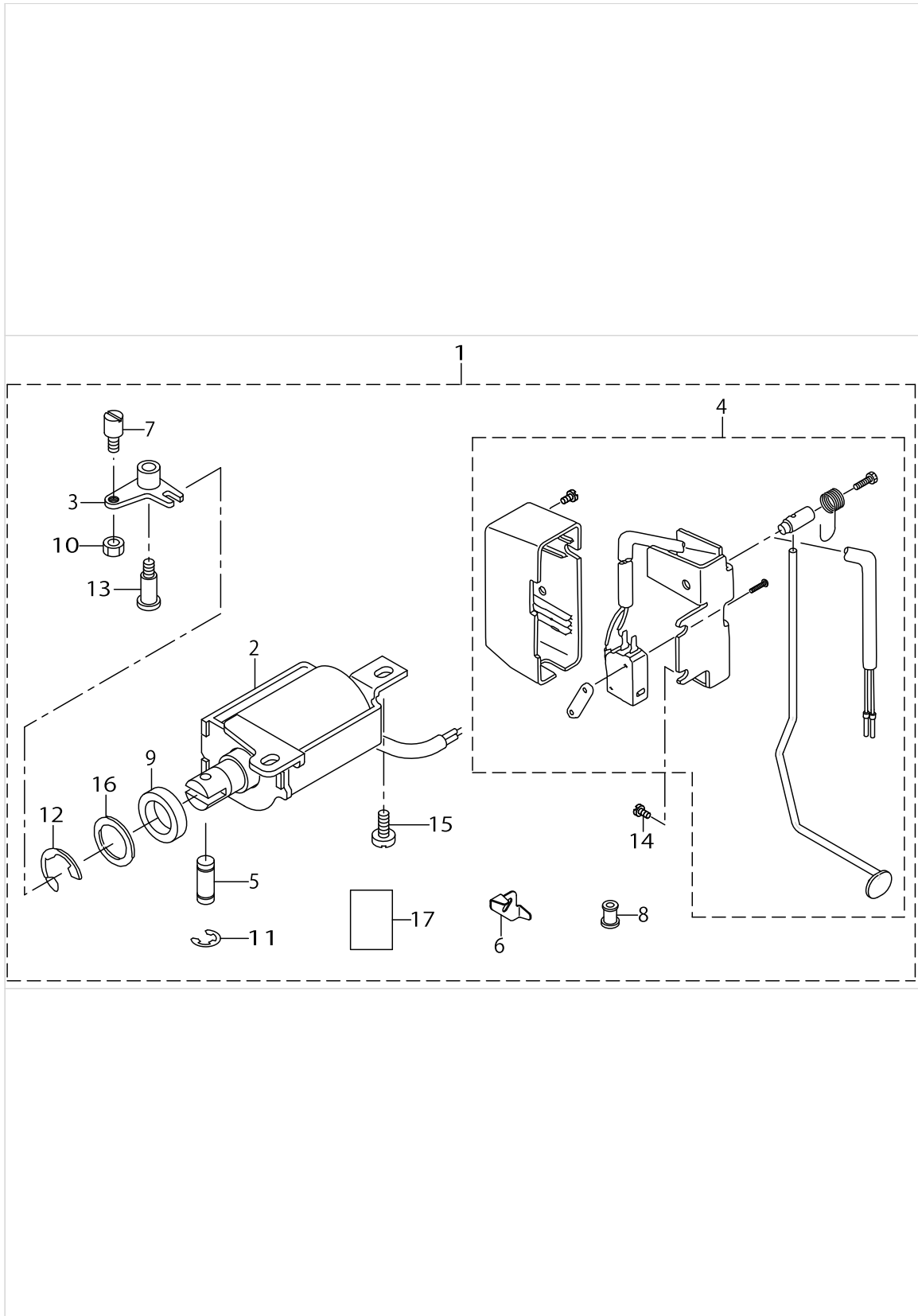
EXCLUSIVE PARTS FOR LZ-2288



EXCLUSIVE PARTS FOR LZ-2288

No.	Supply Code	Parts No.	Replacement	Parts name	Remarks	Choice	Step	Level	Cons	Qty	Rep. QTY
47		22571905		DRIVING ROD						1	
48	D	22572457		WORM WHEEL COMPL.						1	
49	D	22571004		CAM ROLLER SHAFT						1	
50		22572002		DRIVING PIN A	SELECTIVE PARTS					1	
51		22572101		DRIVING PIN B	SELECTIVE PARTS					1	
52		22572200		DRIVING PIN C	SELECTIVE PARTS					1	
53		22572309		DRIVING PIN D	SELECTIVE PARTS					1	
54		SS8110422TP		SCREW 11/64-40 L=4						2	
55		SS8660610TP		SCREW 1/4-40 L=6						4	
56	R	22573802	26312405	SHAFT						1	1.00
57	D	22573901		FEEDER CHANGE LINK A						1	
58	D	10053007		WORM ASM. A	SELECTIVE PARTS					1	
59	D	10053106		WORM B	SELECTIVE PARTS					1	
60	D	10053205		WORM C	SELECTIVE PARTS					1	
61	D	10053304		WORM D	SELECTIVE PARTS					1	
62	D	GS140111ATH		THRUST COLLAR A-SM. D=14 W=10.5						2	
63		SS6660710TP		SCREW 1/4-40 L=7				*		4	
64		SM6051402TP		SCREW M5X0.8 L=14						1	
65		SM6051402TP		SCREW M5X0.8 L=14						3	
66		SM8050612TP		SCREW M5X6						2	
67		SS8110422TP		SCREW 11/64-40 L=4						2	
68		SS8110422TP		SCREW 11/64-40 L=4						2	
69		SS8660810TP		SCREW 1/4-40 L=8						2	
70		SS8661012TP		SCREW						2	
71		SS9151740CP		SCREW 15/64-28L=17						1	
72		TA2201002R0		PLUG						1	
73		22581508		FEED DOG						1	
74		22584965		PRESSER FOOT ASM.	VARIOUS NOS. FOR DESTINATIONS					1	
75	R	22545206	22547558	PRESSER FOOT (UPPER)				*		1	1.00
76	R	22584908	22584965	PRESSER FOOT (LOWER)				*		1	1.00
77		10021103		PRESSER PIN				*		1	
78		22545404		SAFETY COVER				*		1	
79		B1525582000		SPRING				*		1	
80		SS6090810SP		SCREW 9/64-40 L=7.5				*		1	

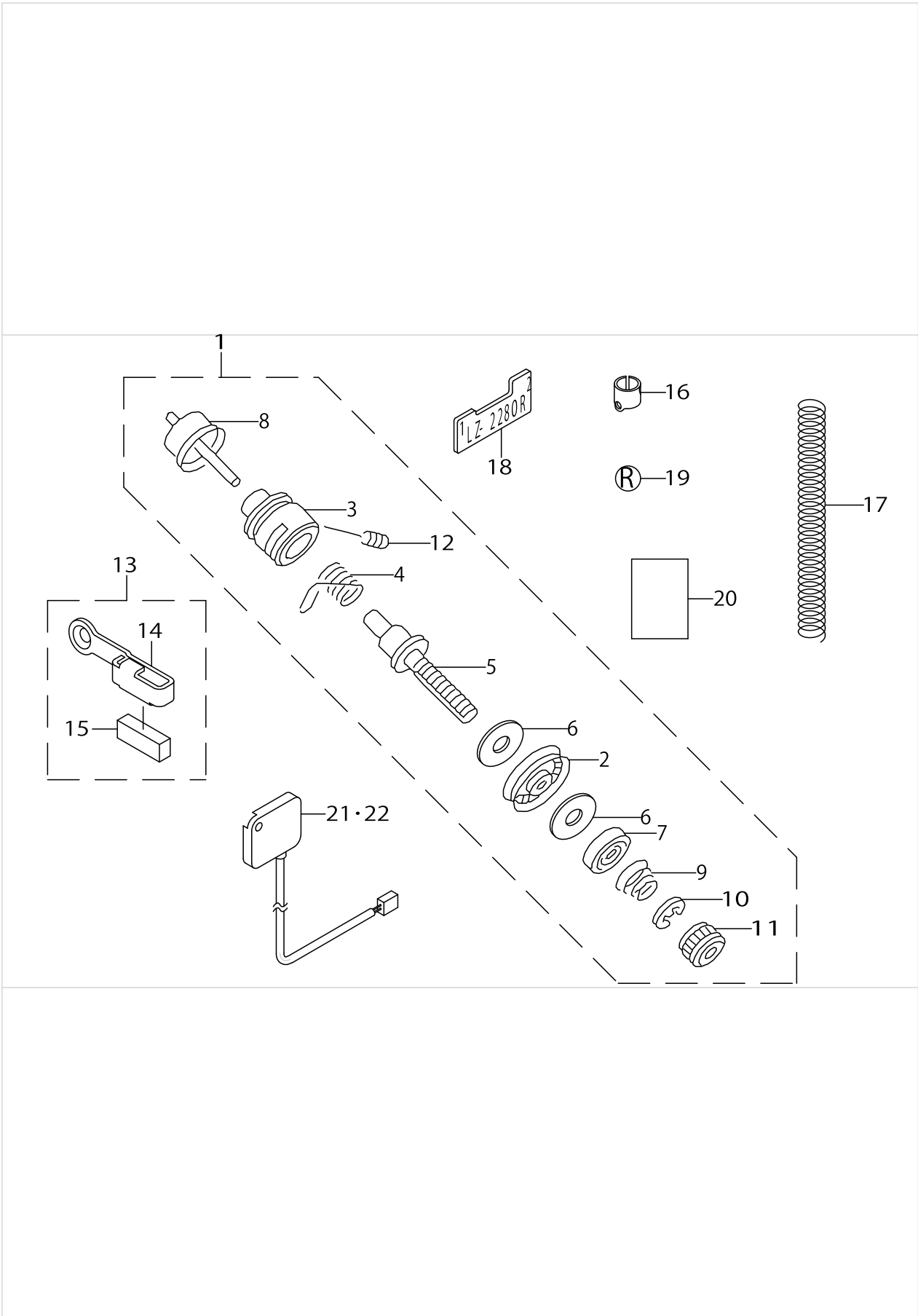
SPECIAL ORDER PARTS FOR LZ-2280,2281,2286,2288



SPECIAL ORDER PARTS FOR LZ-2280,2281,2286,2288

No.	Supply Code	Parts No.	Replacement	Parts name	Remarks	Choice	Step	Level	Cons	Qty	Rep. QTY
1		22561559		AUTOMATIC BACK MACHINE						1	
2	R	22559058	40108060	MAGNET ASM.				*		1	1.00
3		22544159		REVERSE FEED MAGNET LINK ASM.				*		1	
4		22559850		REVERSE FEED SWITCH				*		1	
5	R	11101003	22953509	PLUNGER ARM PIN				*		1	1.00
6	R	11102605	22954705	CORD HOLDER				*		1	1.00
7		B1213372000		SCREW				*		1	
8		D2467555B00		RUBBER PLUG				*		2	
9		D2468555B00		RUBBER PLUNGER				*		1	
10		NS6150310SP		NUT 15/64-28				*		1	
11		RE0400000K0		E-RING 4				*		2	
12		RE1200000K0		E-RING 12				*		1	
13		SD0791503SP		HINGE SCREW D=7.94 H=15				*		1	
14		SS4120615SP		SCREW 3/16-28 L=6				*		2	
15		SS4150915SP		SCREW 15/64-28 L=9				*		2	
16		WP1602616SZ		WASHER 16X24X2.6				*		1	
17		29141900		INSTRUCTION MANUAL				*		1	

EXCLUSIVE PARTS FOR R TYPE



EXCLUSIVE PARTS FOR R TYPE

No.	Supply Code	Parts No.	Replacement	Parts name	Remarks	Choice	Step	Level	Cons	Qty	Rep. QTY
1	R	22528459	22528467	THREAD TENSION ASM.						1	1.00
2	R	22528350	23547557	THREAD TENSION DISK COMPL.				*		1	1.00
3		22528152		THREAD TENSION ROD ASM.				*		1	
4		10006104		TAKE-UP SPRING				*		1	
5	R	10005650	10005668	TENSION POST ASM.				*		1	1.00
6		22528509		FELT				*		2	
7		10006005		TENSION DISC HOLDER				*		1	
8		10007854		TENSION RELEASE PIN ASM.				*		1	
9		B3121352000		TENSION SPRING				*		1	
10		B3120125000		ROTATING STOPPER				*		1	
11		B3116125000		TENSION NUT				*		1	
12		SS8090670SP		SCREW 9/64-40L=5.5				*		1	
13	D	22503155		FELT THREAD GUIDE ASM.						1	
14		22503106		FELT THREAD GUIDE				*		1	
15	R	22503205	22503155	FELT				*		1	1.00
16		22507701		THRED RACK, RIGHT						1	
17		B1505227T00A		PRESSER SPRING T						1	
18	D	22535900		TIMMING GAUGE, RIGHT	FOR LZ-2280R					1	
19	D	BME0000R000		NAME PLATE						1	
20	D	29187606		INSTRUCTION MANUAL						1	
21	D	M6093350AAS		RESISTANCE PACK AS ASM.	FOR LZ-2280R-7					1	
22		M6094350AAL		RESISTANCE PACK AL ASM.	FOR LZ-22-81R-7,228-6R-7,2288-7					1	



## HOW TO MAKE USE OF THIS PARTS LIST

1.As to "#01" and "#02" refer to the "Note" given at the bottom of the respective pages.

2.Codes on the "Qty" column

- Each numeral indicates the number of parts required.
- "0.1" and "2.5" indicate the length (in meters) of the respective parts.

3.Parentheses mean that the corresponding part is a subpart that constructs an assembly part.

4.Dotted lines on the Figures indicate assembly parts.

1. リストページの# 0 1、# 0 2の印は、ページ下の"注記"の説明を参照下さい。
2. 数量欄の数字は、個数を表し、0. 1、2. 5等の数値は、長さ（単位メートル）を表します。
3. 数量欄の（ ）は、組部品を構成している子部品であることを意味します。
4. イラストページの-----枠は、組構成であることを意味します。

# NUMERICAL INDEX OF PARTS

PART NO	PAGE	REF NO.	PART NO	PAGE	REF NO.	PART NO	PAGE	REF NO.
1000206	2	15	10016012	58	26	10026706	24	35
10001709	2	17	10016012	66	29	10026805	24	36
10004208	6	7	10016210	14	7	10026904	24	37
10004307	6	8	10016210	58	32~35	10027001	26	43
10005650	4	53	10016210	66	30~33	10027100	26	44
10005650	78	5	10016319	14	8	10027209	26	45
10006005	4	55	10016319	58	32~35	10027308	26	46
10006005	78	7	10016319	66	30~33	10027407	26	48
10006104	4	52	10016418	14	9	10027506	26	47
10006104	78	4	10016418	58	32~35	10028702	26	49
10007854	4	56	10016418	66	30~33	10028801	26	50
10007854	78	8	10016517	14	6	10028900	22	39
10008100	8	10	10016517	58	32~35	10029007	26	51
10008407	8	13	10016517	66	30~33	10029304	26	57
10008506	8	14	10016608	12	11	10029601	26	52
10008605	8	15	10017168	14	10	10030104	28	38
10008753	8	16	10017168	58	37	10030203	28	8
10010304	10	46	10017168	66	34	10030302	28	9
10010502	10	47	10017317	14	4	10030401	28	10
10011005	12	25~28	10017408	14	14	10030609	28	11~14
10011104	12	25~28	10017606	14	15	10030708	28	11~14
10011203	12	25~28	10017606	58	43	10030807	28	11~14
10011302	12	25~28	10017606	66	35	10030906	28	11~14
10011500	12	29	10017705	14	45	10031003	28	15
10011807	12	33~36	10018000	14	11	10031300	28	16
10011906	12	33~36	10018000	58	39	10031409	28	17
10012003	12	33~36	10018000	66	36	10031516	28	18
10012102	12	33~36	10018109	14	12	10031615	28	19
10012201	12	30	10018109	58	40	10031714	28	20
10012409	12	31	10018109	66	37	10031805	6	21
10012508	12	32	10021004	54	30	10031904	6	22
10012607	12	12~15	10021004	68	53	10032001	6	23
10012706	12	12~15	10021103	20	61	10033207	28	21
10012805	12	12~15	10021103	54	56	10035004	32	12
10012904	12	12~15	10021103	56	56	10035111	32	11
10013019	10	61	10021103	68	67	10035301	32	8
10013118	10	62	10021103	74	77	10035509	64	61
10013407	10	67	10022010	18	17	10035608	8	18
10013803	10	68	10022309	18	18	10035707	32	19
10015105	14	44	10022606	18	28	10037109	32	16
10015360	14	13	10026102	24	9	10037307	6	11
10015360	58	41	10026201	24	10	10037406	6	12
10015360	66	28	10026300	24	11	10038107	52	3
10015907	14	41	10026508	24	12	10039105	50	3
10016012	14	5	10026607	24	32	10039659	50	4

# NUMERICAL INDEX OF PARTS

PART NO	PAGE	REF NO.	PART NO	PAGE	REF NO.	PART NO	PAGE	REF NO.
10043016	54	9~12	10064004	62	31	11072204	50	17
10043016	58	8~11	10064103	62	32	11072501	42	10
10043115	54	9~12	10064202	62	33	11072709	44	23
10043115	58	8~11	10064301	62	34	11078102	50	13
10043214	54	9~12	10064400	62	35	11078250	50	14
10043214	58	8~11	10064608	62	36	11100500	22	24
10043313	54	9~12	10064905	62	37	11101003	42	25
10043313	58	8~11	10065001	62	38	11101003	76	5
10043412	54	5	10065209	64	63	11102001	42	5
10043461	64	73	10100410	6	4	11102100	42	6
10044014	54	13	10119907	22	20	11102209	42	7
10044014	58	12	10120004	22	21	11102308	42	9
10044105	54	14	10125904	32	18	11102605	76	6
10044105	58	13	10208601	44	4	11110301	44	18
10044105	66	4	10208700	44	10	11110400	44	19
10045060	70	11	10208858	44	8	11110509	44	20
10053007	66	5~8	10604809	8	41	11110707	44	21
10053007	74	58~61	11000619	2	19	11110806	44	22
10053106	66	5~8	11001609	6	9	11111804	44	25
10053106	74	58~61	11006905	18	13	11112000	44	24
10053205	66	5~8	11007101	18	12	11183100	46	20
10053205	74	58~61	11010907	10	64	11183167	46	1
10053304	66	5~8	11015906	28	33	11183209	46	13
10053304	74	58~61	11023702	52	21	11185105	48	2
10053452	66	9	11023751	52	20	11185204	48	3
10053502	66	10·12	11023801	52	25	11185501	48	11
10053601	66	10·12	11024007	52	5	11212503	22	12
10054005	66	11	11024106	52	8	11234408	40	12
10054112	58	23	11024205	52	7	11234507	40	13
10054112	66	38	11024403	52	24	11527207	68	57
10055002	54	29	11024502	52	6	11966504	48	9
10055002	68	52	11030301	4	46	11969409	48	4
10055051	72	3	11032562	8	40	13729702	28	36
10055069	54	28	11040854	36	27	13946751	48	1
10056109	54	31	11041308	36	28	17348905	72	10
10056109	68	54	11041407	36	29	19800903	28	39
10061554	58	2	11043601	2	21	19801000	28	40
10062701	62	17	11044054	6	14	19801109	30	42
10062800	62	18	11046604	2	20	19801208	30	43
10063204	62	19	11047107	52	4	19801307	28	41
10063303	62	20	11052701	22	26	19801406	30	44
10063402	62	21	11070901	2	18	19801505	30	45
10063501	62	22	11071602	18	19	19801604	30	46
10063600	62	23	11071800	18	23	22501159	2	1
10063808	62	30	11071909	70	23	22501209	2	2

# NUMERICAL INDEX OF PARTS

PART NO	PAGE	REF NO.	PART NO	PAGE	REF NO.	PART NO	PAGE	REF NO.
22501357	2	3	22510101	70	7	22520159	24	7
22501506	2	4	22510200	12	23	22523708	28	1
22501605	2	5	22510200	70	8	22523807	28	2
22501704	2	6	22512008	14	2	22523906	28	3
22501803	6	1	22512057	14	1	22524151	28	37
22501902	6	3	22512107	14	29	22524169	28	35
22501951	6	2	22512156	14	28	22524201	28	5
22502009	2	7	22512206	14	33	22524805	28	7-48
22502108	2	8	22512305	14	35	22525059	28	6-47
22502207	2	9	22512354	14	34	22525851	30	6-47
22502504	4	73	22512453	14	36	22526206	30	7-48
22502603	2	10	22512453	54	25	22528053	4	49
22502702	2	11	22512453	70	3	22528152	4	51
22502801	2	12	22512503	14	39	22528152	78	3
22502900	2	13	22512552	14	38	22528350	4	50
22503007	2	14	22512602	14	40	22528350	78	2
22503106	78	14	22512701	14	3	22528459	78	1
22503155	78	13	22512701	58	27	22528509	4	54
22503205	78	15	22512701	66	27	22528509	78	6
22505101	8	1	22512909	12	3~6	22528608	4	61
22505200	8	3	22513006	12	3~6	22528764	4	65
22505259	8	2	22513105	12	3~6	22529002	4	62
22505309	8	6	22513204	12	3~6	22529101	4	63
22505408	8	7	22515357	18	9	22529200	4	64
22505507	8	8	22515506	18	10	22531156	32	1
22505705	8	17	22518005	22	1	22531206	32	2
22506109	8	9-71	22518104	22	2	22531305	32	3
22506208	10	9-71	22518203	22	3	22531552	32	4
22507156	10	42	22518351	22	4	22531701	32	5
22507305	10	43	22518401	22	5	22531909	32	6
22507404	10	44	22518500	22	7	22532006	32	7
22507503	10	45	22518559	22	6	22534002	52	2
22507701	78	16	22518609	22	8	22534051	52	1
22509103	10	59	22518708	22	9	22534101	52	17
22509152	10	58	22518807	22	10	22535009	50	1
22509202	10	60	22518906	22	11	22535108	50	2
22509400	10	65	22519102	22	16	22535454	50	26
22509509	10	66	22519201	22	17	22535462	50	25
22509608	12	8	22519300	22	18	22535801	4	74
22509657	12	7	22519508	24	1	22535900	78	18
22509707	12	2	22519607	24	2	22536957	50	9
22509756	12	1	22519706	24	3	22537203	50	10
22510002	12	21	22519805	22	43	22537302	50	11
22510051	12	20	22519904	24	5	22540009	70	14
22510101	12	22	22520001	24	6	22540108	70	32

# NUMERICAL INDEX OF PARTS

PART NO	PAGE	REF NO.	PART NO	PAGE	REF NO.	PART NO	PAGE	REF NO.
22540207	70	22	22548804	26	8·59·61	22562052	44	15
22540454	70	24	22548903	20	60	22562102	44	16
22540702	70	2	22548960	20	58	22562201	44	17
22540751	70	1	22551550	8	34	22564157	40	1
22541007	70	25	22551568	8	33	22564256	40	2
22541106	70	21	22552400	6	13	22564454	40	3
22542500	70	6	22552756	38	54	22564702	40	4
22542559	70	5	22552764	38	51	22564801	40	5
22542708	4	67	22552806	38	52	22564959	40	29
22544159	42	2	22552905	38	53	22565105	40	30
22544159	76	3	22554158	36	1	22565204	40	6
22545008	6	6·28·36	22554356	36	2	22565303	40	7
22545107	26	8·59·61	22554505	36	3	22565402	40	8
22545206	20	59	22554604	36	4	22565501	40	9
22545206	54	53	22554703	36	5	22565659	40	10
22545206	56	53	22554802	36	6	22565857	40	11
22545206	68	65	22554901	36	7	22566152	40	31
22545206	74	75	22555007	36	8	22566301	40	36
22545305	20	43	22555106	36	9	22568851	72	17~27
22545354	20	42	22555205	36	10	22568950	72	17~27
22545362	18	41	22555304	36	11	22569057	72	17~27
22545404	20	62	22555403	36	12	22569156	72	17~27
22545404	56	55	22555551	36	13	22569255	72	17~27
22545404	68	68	22555858	36	30	22569354	72	17~27
22545404	74	78	22556054	36	16	22569453	72	17~27
22546808	18	52	22556153	36	25	22569552	72	17~27
22546808	20	52	22556302	36	17	22569651	72	17~27
22547004	18	56	22556450	36	18	22569750	72	17~27
22547004	20	56	22556609	36	19	22569859	72	17~27
22547004	70	17	22556708	36	20	22570006	72	34
22547806	18	53	22556807	36	21	22570105	72	35
22547806	20	53	22556906	36	14	22570204	72	36
22547905	18	3	22557003	36	15	22570303	72	37~40
22547954	18	2	22559058	42	1	22570402	72	37~40
22547962	18	1	22559058	76	2	22570501	72	37~40
22548010	6	6·28·36	22559850	42	3	22570600	72	37~40
22548010	70	18	22559850	76	4	22570758	72	41
22548119	24	8·59·61	22559900	42	4	22570907	72	42
22548119	70	19	22561559	76	1	22571004	74	49
22548606	20	51	22561708	44	11	22571103	72	28~31
22548655	20	50	22561757	44	1	22571202	72	28~31
22548655	70	16	22561807	44	3	22571301	72	28~31
22548663	20	49	22561856	44	2	22571400	72	28~31
22548663	70	15	22561906	44	7	22571509	72	43
22548705	6	6·28·36	22561955	44	6	22571608	72	44

## NUMERICAL INDEX OF PARTS

PART NO	PAGE	REF NO.	PART NO	PAGE	REF NO.	PART NO	PAGE	REF NO.
22571707	72	45	22585707	58	7	B1301555000	32	10
22571806	72	46	22585707	66	3	B13071550A0	28	34
22571905	74	47	22586200	54	24	B13081550A0	28	4
22572002	74	50~53	22586200	58	46	B1502541000	18	22
22572101	74	50~53	22586259	54	23	B1505227000A	18	21
22572200	74	50~53	22586507	54	8	B1505227T00A	78	17
22572309	74	50~53	22586507	64	58	B1510227000	18	20
22572457	74	48	22586507	68	61	B1516552000	18	11
22573802	74	56	22586705	56	46	B1517552000	18	26
22573901	74	57	22586705	64	72	B1521555000	18	24
22574107	72	6	22586705	68	48	B1523226000	18	27
22574156	72	5	22586705	70	30	B1525582000	18	63
22574255	72	8	22586705	72	9	B1525582000	20	63
22580005	56	50	22590053	58	45	B1525582000	54	57
22580104	56	51	22590301	62	26	B1525582000	56	57
22580203	54	38	22590400	62	28	B1525582000	68	69
22580252	54	36	22590509	62	29	B1525582000	74	79
22580260	54	35	22590806	64	60	B1604141H00	24	33
22580302	54	34	22590855	64	59	B1604155000	24	34
22580302	68	51	22591101	62	15	B1608555000	70	27
22580302	70	12	22591408	62	5	B16085550A0	70	26
22580302	72	4	22591564	62	1	B1609804A00	24	38~42
22580369	70	10	22591663	62	14	B1609804B00	24	38~42
22580864	54	27	22592505	58	1	B1609804C00	24	38~42
22580864	68	50	22592505	66	1	B1609804D00	24	38~42
22580864	72	2	22592604	58	25	B1609804E00	24	38~42
22581409	54	1	22592604	66	26	B1631012B00	22	23
22581409	66	2	22592653	58	22	B1646555000	26	54
22581409	70	13	22592653	66	25	B1653470000	26	53
22581409	72	1	22592703	66	22	B1808552000	28	32
22581508	56	43	22592752	66	21	B1810552000	8	19
22581508	68	58	22592802	60	47	B1905541A00	10	48~51
22581508	74	73	22592802	66	23	B1905541B00	10	48~51
22584908	56	54	22593107	64	70	B1905541C00	10	48~51
22584908	68	66	22593107	68	62	B1905541D00	10	48~51
22584908	74	76	29141900	76	17	B2024771000	40	17
22584965	56	52	29187606	78	20	B2034372000	40	16
22584965	68	64	B1114280000	22	19	B250228000A	62	39~41
22584965	74	74	B1115850000	52	9	B250228000B	62	39~41
22585400	54	2	B1148555000	22	27	B250228000C	62	39~41
22585509	58	5	B1203227000A	8	11	B2502280B0A	54	15~17
22585608	54	4	B1208552000A	8	12	B2502280B0A	58	14~16
22585657	54	3	B1213372000	42	17	B2502280B0A	66	13~15
22585657	58	6	B1213372000	76	7	B2502280B0B	54	15~17
22585707	54	7	B1214038000	32	14	B2502280B0B	58	14~16

# NUMERICAL INDEX OF PARTS

PART NO	PAGE	REF NO.	PART NO	PAGE	REF NO.	PART NO	PAGE	REF NO.
B2502280B0B	66	13~15	B3503555000	34	42	D2467555B00	76	8
B2502280B0C	54	15~17	B3505555000	34	43	D2468555B00	22	42
B2502280B0C	58	14~16	B3506555000	34	44	D2468555B00	42	16
B2502280B0C	66	13~15	B3507555000	34	46	D2468555B00	76	9
B2508704000	22	25	B3508555000	34	47	D2515232D00	22	22
B2560372000	40	14	B3524552000	32	13	D3133555B00	38	63
B2608761000	14	16	B3527552000	64	62	EA9500B0100	34	53
B2616372000	32	20	B3527552000	72	7	EA9500B0100	36	31
B2626372000	40	15	B3534155000	32	15	EA9502B0200	2	44
B3116125000	4	59	B3538112000	32	17	GAK33041000	18	29
B3116125000	78	11	B3554481000	64	64	GAK33042000	18	30
B3120125000	4	58	B3565771000	32	21	HA000590000	44	27
B3120125000	78	10	B8228125000	52	19	HA001900000	42	8
B3121352000	78	9	B9113012000	62	27	HK00443002A	38	50
B3126012000	50	15	BME0000R000	78	19	HK034610140	38	61
B3129012A00	4	57	BT0500300EA	32	33	HK03464000B	42	11
B3129012B00	50	16	BT0600402EA	32	37	HK03464000B	44	26
B3210771000	50	23	CM300200001	6	34·35	HW200390000	44	29
B3211555000	50	12	CM3002000A1	6	34·35	HW500070000	42	12
B3224771000	50	22	CM300200101	6	31·32	HW500070000	44	28
B3302012000	46	10	CM3002001A1	6	31·32	HX00123000A	40	37
B3305704000A	48	5	CQ202000000	10	70	M40071100AA	8	36
B3306012000	46	8	CQ202000000	32	54	M40071100AB	8	35
B3307012000	46	3	CQ202000000	34	54	M6093350AAF	6	20·27·33
B3308012000	46	7	CQ303000000	64	69	M6093350AAL	6	20·27·33
B3309012000	46	6	CQ500600000	64	68	M6093350AAL	70	31·20
B3310012000	46	4	CS0640863SH	40	28	M6093350AAS	6	20·27·33
B3311012000	46	12	CS0790720TH	12	16	M6093350AAS	70	31·20
B3311012000	48	10	CS079073ASH	34	40	M6093350AAS	78	21·22
B3311704000	48	7	CS095101BSH	38	49	M6094350AAF	56	44·45
B3317704000	48	12	CS1031210SH	12	40	M6094350AAL	56	44·45
B3318704L00A	48	6	CS1031210SH	22	32	M6094350AAL	78	21·22
B3319704L00	48	13	CS1031210SH	62	52	MAB109000A0	56	48
B3320704L00A	46	11	CS1031210SH	64	52	MAB109000B0	56	47
B3320704L00A	48	8	CS1031210SH	68	59	MAM097000A0	60	52
B3414555000	18	14	CS103121BSH	12	41	MAM09700BA0	60	53
B3416552000	18	16	CS1111010SH	24	21	MAO11532000	48	19
B3416555000	18	15	CS1111019SH	24	22	MC192300750	10	52
B3419122000	52	23	CS140111ATH	72	62	MC1923F0800	58	4
B3421555000	52	18	CS140111ATH	74	62	NM60300000E	34	50
B3431552000A	52	22	CS147121ASH	8	32	NM6030001SC	38	55
B3431581000	18	25	D2107490D00	44	9	NM6040001SN	38	56
B3501555000	34	45	D2107555B00	36	26	NM6050001SE	48	18
B35015550A0	34	41	D2112555B00	2	45	NM6060001SE	64	50
B3502555000	34	51	D2467555B00	38	62	NM6061061SE	46	9

NUMERICAL INDEX OF PARTS

PART NO	PAGE	REF NO.	PART NO	PAGE	REF NO.	PART NO	PAGE	REF NO.
NM6100663SE	46	18	RE1000000K0	52	16	SQ1110402MZ	32	34
NS6080340SP	40	24	RE1200000K0	42	20	SQ1150451MZ	32	36
NS6110310SP	44	39	RE1200000K0	76	12	SS1090510SP	36	22
NS6120310SP	22	38	RO029180100	8	20	SS1090930SP	8	31
NS6120310SP	24	14	RO029180100	32	39	SS1110840SP	2	27
NS6120310SP	40	26	RO037180100	18	35	SS2090710SP	2	33
NS6123881SE	46	16	RO044240100	8	27	SS2090810SP	6	17
NS6150310SP	14	23	RO048190100	8	28	SS2110920TP	12	24
NS6150310SP	32	31	RO069180100	12	39	SS2110920TP	36	46
NS6150310SP	36	42	RO074240100	22	36	SS2110920TP	70	9
NS6150310SP	42	23	RO098240100	52	10	SS2111010TP	38	47
NS6150310SP	58	36	RO195240100	2	42	SS3090520SP	44	14
NS6150310SP	66	39	RO437200200	8	23	SS4080610SP	24	25
NS6150310SP	76	10	SB109530100	28	27	SS4080620TP	28	30
NS6150430SP	36	38	SB120000100	8	4	SS4090610SP	14	31
NS6150430SP	64	48	SD0481451SP	40	23	SS4110515SP	6	10
NS6150430SR	52	12	SD0490261SP	50	20	SS4110515SP	32	38
NS6620310SP	18	37	SD0600271SP	44	38	SS4110515SP	38	60
NS6680320SP	70	29	SD0600291TP	36	34	SS4110515SP	50	19
NS6680410SP	24	27	SD0600321SP	22	37	SS4110615SP	42	13
NS6700320SP	6	5	SD0600321SP	24	13	SS4110715SP	10	56
PS0300182KF	38	58	SD0601051SP	64	45	SS4110715SP	22	15
PS0400202KH	10	63	SD0630275SP	18	36	SS4110715SP	32	28
RC0100001KP	14	22	SD0630301SP	18	32	SS4110915SP	2	71
RC0100001KP	58	31	SD0640241SP	40	21	SS4110915SP	4	71
RC0100001KP	66	40	SD0640751SP	2	29	SS4110915SP	6	26
RE0200000K0	14	24	SD0650321TP	44	31	SS4110915SP	10	55
RE0200000K0	58	38	SD0791503SP	36	41	SS4110915SP	36	39
RE0200000K0	66	41	SD0791503SP	42	22	SS4110915SP	64	65
RE0250000K0	36	35	SD0791503SP	76	13	SS4111215SP	6	15
RE0300000K0	24	20	SD0800402TP	14	27	SS4111215SP	32	35
RE0300000K0	40	20	SD0900701TP	24	26	SS4120615SP	2	34
RE0320000K0	44	12	SE4301031SR	34	52	SS4120615SP	22	41
RE0400000K0	14	25	SK3452000SE	46	19	SS4120615SP	38	57
RE0400000K0	36	59	SK3482500SC	50	28	SS4120615SP	40	25
RE0400000K0	38	59	SL4030881SF	40	32	SS4120615SP	42	24
RE0400000K0	42	19	SM4030601SN	44	33	SS4120615SP	44	37
RE0400000K0	58	42	SM4031001SC	34	48	SS4120615SP	64	71
RE0400000K0	66	42	SM4031501SC	42	15	SS4120615SP	68	63
RE0400000K0	76	11	SM4040601SB	36	36	SS4120615SP	76	14
RE0500000K0	18	31	SM4051405SE	48	15	SS4120915SP	40	18
RE0500000K0	36	40	SM6051402TP	74	65	SS4121015SP	2	48
RE0600000K0	18	38	SM6061610SC	48	17	SS4121015SP	4	48
RE0600000K0	36	43	SM8050612TP	74	66	SS4121015SP	14	46
RE0900000K0	40	19	SM9061080SE	46	17	SS4121015SP	40	38



# NUMERICAL INDEX OF PARTS

PART NO	PAGE	REF NO.	PART NO	PAGE	REF NO.	PART NO	PAGE	REF NO.
SS4121215SP	6	25	SS6121610TP	70	28	SS8090670SP	4	60
SS4121415SP	2	26	SS6121840SP	22	28	SS8090670SP	78	12
SS4150915SP	36	32	SS6121860SP	22	35	SS8110410TP	22	13
SS4150915SP	42	18	SS6580752TP	4	69	SS8110422TP	54	19
SS4150915SP	50	5	SS6580752TP	24	16	SS8110422TP	58	18
SS4150915SP	76	15	SS6580752TP	62	16	SS8110422TP	66	17
SS5090420SP	2	43	SS6660710TP	24	23	SS8110422TP	74	68
SS5110710SP	24	30	SS6660710TP	28	24	SS8110510SP	32	9
SS5110710SP	60	54	SS6660710TP	38	48	SS8110750SP	4	66
SS6060210SP	6	18	SS6660710TP	72	63	SS8111010TP	62	25
SS6080320SP	14	37	SS6660710TP	74	63	SS8120740SP	10	69
SS6080320SP	54	26	SS6700710SH	52	11	SS8120740SP	24	17
SS6080320SP	60	48	SS7060310SP	10	57	SS8150410SP	12	43
SS6080320SP	66	24	SS7080410SP	2	28	SS8150510TP	18	40
SS6080320SP	70	4	SS7080520SP	10	53	SS8150510TP	24	4
SS6090420SP	36	23	SS7081310SP	50	18	SS8150710SP	12	42
SS6090520SP	14	26	SS7090410SP	14	42	SS8150710SP	18	34
SS6090520SP	58	44	SS7090610SP	36	44	SS8150710SP	26	60
SS6090520SP	66	43	SS7090710SP	36	24	SS8150710SP	28	25
SS6090540SP	4	68	SS7090910TP	10	54	SS8150710SP	32	22
SS6090540SP	40	33	SS7090910TP	16	47	SS8150822TP	28	26
SS6090620SP	14	19	SS7090910TP	18	33	SS8151150SP	8	21
SS6090620SP	58	28	SS7110540SP	40	27	SS8151550SP	8	37
SS6090620SP	66	44	SS7110840SP	50	21	SS8151720SP	18	39
SS6090810SP	18	64	SS7110910TP	12	19	SS8153010SR	52	13
SS6090810SP	20	64	SS7110910TP	24	29	SS8660530TP	32	27
SS6090810SP	54	58	SS7110910TP	58	24	SS8660610TP	8	30
SS6090810SP	56	58	SS7110910TP	66	45	SS8660610TP	12	37
SS6090810SP	68	70	SS7111110TP	20	57	SS8660610TP	54	20
SS6090810SP	74	80	SS7111110TP	62	11	SS8660610TP	58	19
SS6110480SP	50	6	SS7111120SP	54	6	SS8660610TP	64	57
SS6110510SP	60	50	SS7111410SP	54	18	SS8660610TP	66	60
SS6111010SP	28	31	SS7111410SP	58	17	SS8660610TP	68	60
SS6111010SP	60	49	SS7111410SP	64	51	SS8660610TP	74	55
SS6111010SP	68	49	SS7111410SP	66	16	SS8660810TP	24	24
SS6111040SP	44	36	SS7111410TP	70	33	SS8660810TP	28	29
SS6111052TP	24	31	SS7121410TP	12	9	SS8660810TP	54	21
SS6111140SP	24	58	SS7121410TP	22	33	SS8660810TP	58	20
SS6111140SP	26	58	SS7121410TP	24	55	SS8660810TP	66	19
SS6111140SP	32	25	SS7121410TP	26	55	SS8660810TP	74	69
SS6111210SP	8	38	SS7151120SP	8	22	SS8660970TP	12	38
SS6120620TP	2	35	SS7620750SP	16	48	SS8660970TP	54	22
SS6121210SP	62	42	SS7620750SP	22	30	SS8660970TP	58	21
SS6121610TP	22	40	SS7681650TP	8	26	SS8660970TP	66	20
SS6121610TP	24	28	SS8080410TP	62	24	SS8661012TP	74	70

## NUMERICAL INDEX OF PARTS

PART NO	PAGE	REF NO.	PART NO	PAGE	REF NO.
SS9090610TP	12	18	WP1020616SD	14	51
SS9090610TP	40	34	WP1020616SD	16	51
SS9110620TP	40	35	WP1020616SD	58	29
SS9111610SP	42	14	WP1020616SD	66	46
SS9151740CP	74	71	WP1021016SD	16	49
SS9151810SR	52	14	WP1602616SZ	42	21
SS9182010SN	52	15	WP1602616SZ	76	16
SS9661120CP	64	54	WP1612616SE	48	14
TA0750404R0	2	24	WS0310002KN	44	34
TA0750704R0	2	40	WS0510002KP	6	30
TA0800504R0	2	22	WS0510002KP	22	29
TA0900707R0	2	36	WS0531060KR	46	15
TA0950806R0	6	19	WS0641560KR	46	5
TA0980502R0	72	13	WS1002560KR	46	2
TA1050504R0	72	11	WT0320002KZ	34	49
TA1050604R0	2	23	WT0530002KS	2	25
TA1100604R0	2	38	WZ0641510KP	2	30
TA1250705R0	2	72	WZ0850302K0	14	17
TA1250705R0	4	72	WZ1052010KP	14	50
TA1550902R0	72	14	WZ1052010KP	16	50
TA1750502R0	72	15	WZ1052010KP	22	14
TA1871602R0	58	3	WZ1052010KP	58	30
TA2200502R0	72	16	WZ1052010KP	68	47
TA2201002R0	74	72			
WP0220300SC	62	13			
WP0320501SC	44	35			
WP03305000E	4	70			
WP0371016SD	14	43			
WP0371016SD	44	13			
WP0371036SD	16	52			
WP0450801SD	8	39			
WP0450801SD	50	27			
WP0450846SP	26	56			
WP0480856SP	50	24			
WP0480856SP	60	51			
WP0480856SP	70	34			
WP0501016SC	50	29			
WP0501016SD	6	29			
WP0501016SD	64	66			
WP0510516SD	12	10			
WP0560860SE	46	14			
WP0612066SP	64	47			
WP0621016SH	36	37			
WP0621016SH	64	49			
WP0651056SD	2	31			