

MODEL : AMS-205C/206C

List No : 0693-05

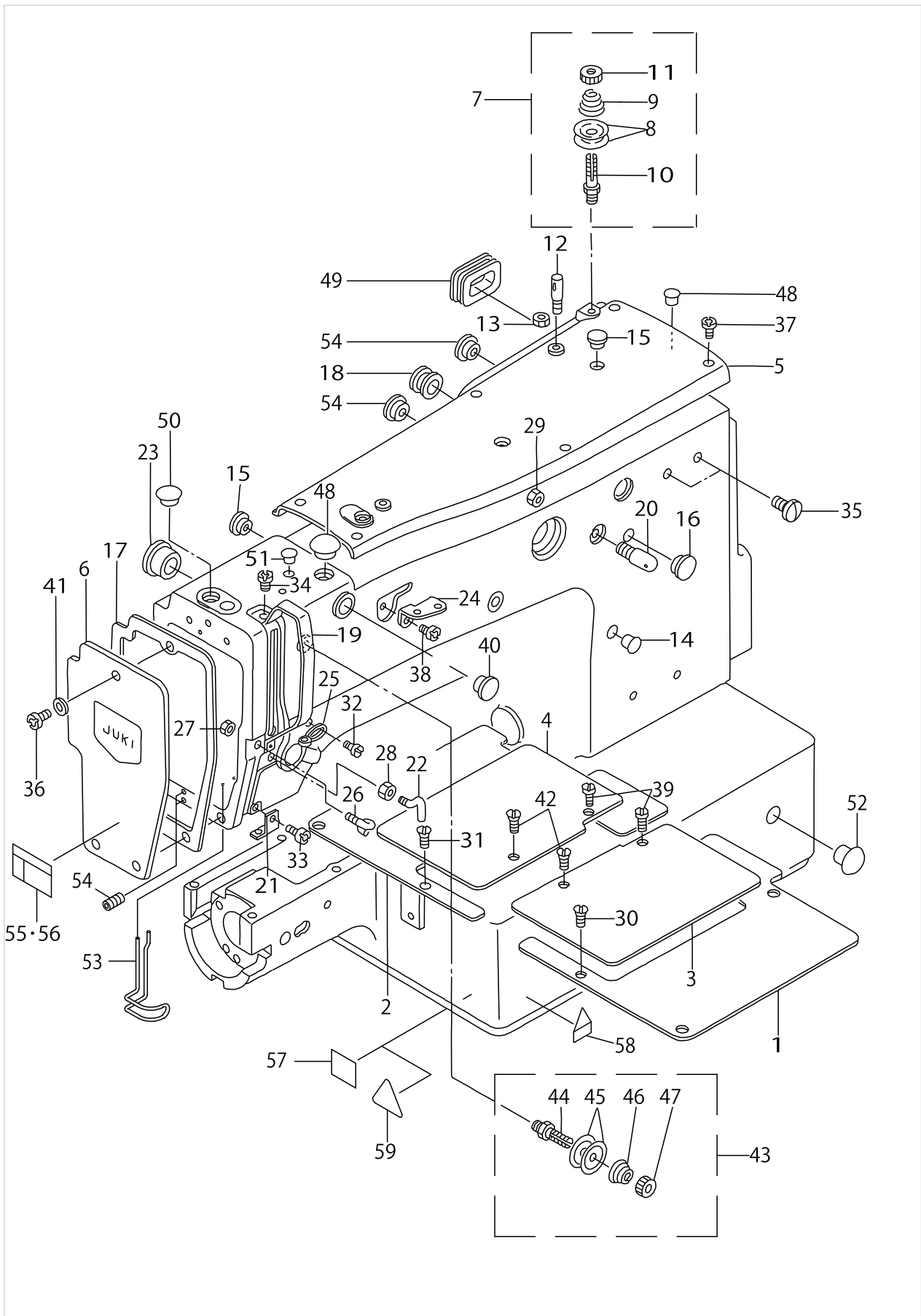
PARTS LIST

Published:05/12/2017

CONTENTS

FRAME & MICELLANEOUS COVER COMPONENTS (1).....	1
FRAME & MICELLANEOUS COVER COMPONENTS (2).....	5
MAIN SHAFT & NEEDLE BAR COMPONENTS.....	9
PRESSER PLATE COMPONENTS.....	13
TENSION RELEASE & THREAD TRIMMER MECHANISM COMPONENTS.....	15
SHUTTLE DRIVER SHAFT COMPONENTS.....	17
WIPER MECHANISM COMPONENTS.....	23
X-Y COMPONENTS (1).....	27
X-Y COMPONENTS (2).....	29
CLOTH FEED MECHANISM COMPONENTS.....	33
LUBRICATION COMPONENTS.....	35
SENSOR COMPONENTS.....	37
TABLE COMPONENTS.....	41
AMS-206C EXCLUSIVE PARTS (PRESSER MECHANISM COMPONENTS).....	43
AMS-206C EXCLUSIVE PARTS (CLOTH FEED MECHANISM COMPONENTS).....	47
AMS-206C EXCLUSIVE PARTS.....	49
CONTROL BOX COMPONENTS.....	51
THREAD STAND COMPONENTS.....	53
ACCESSORIE PART COMPONENTS.....	55
OPTIONAL PART COMPONENTS (1).....	57
OPTIONAL PART COMPONENTS (2).....	59
HOW TO MAKE USE OF THIS PARTS LIST.....	61

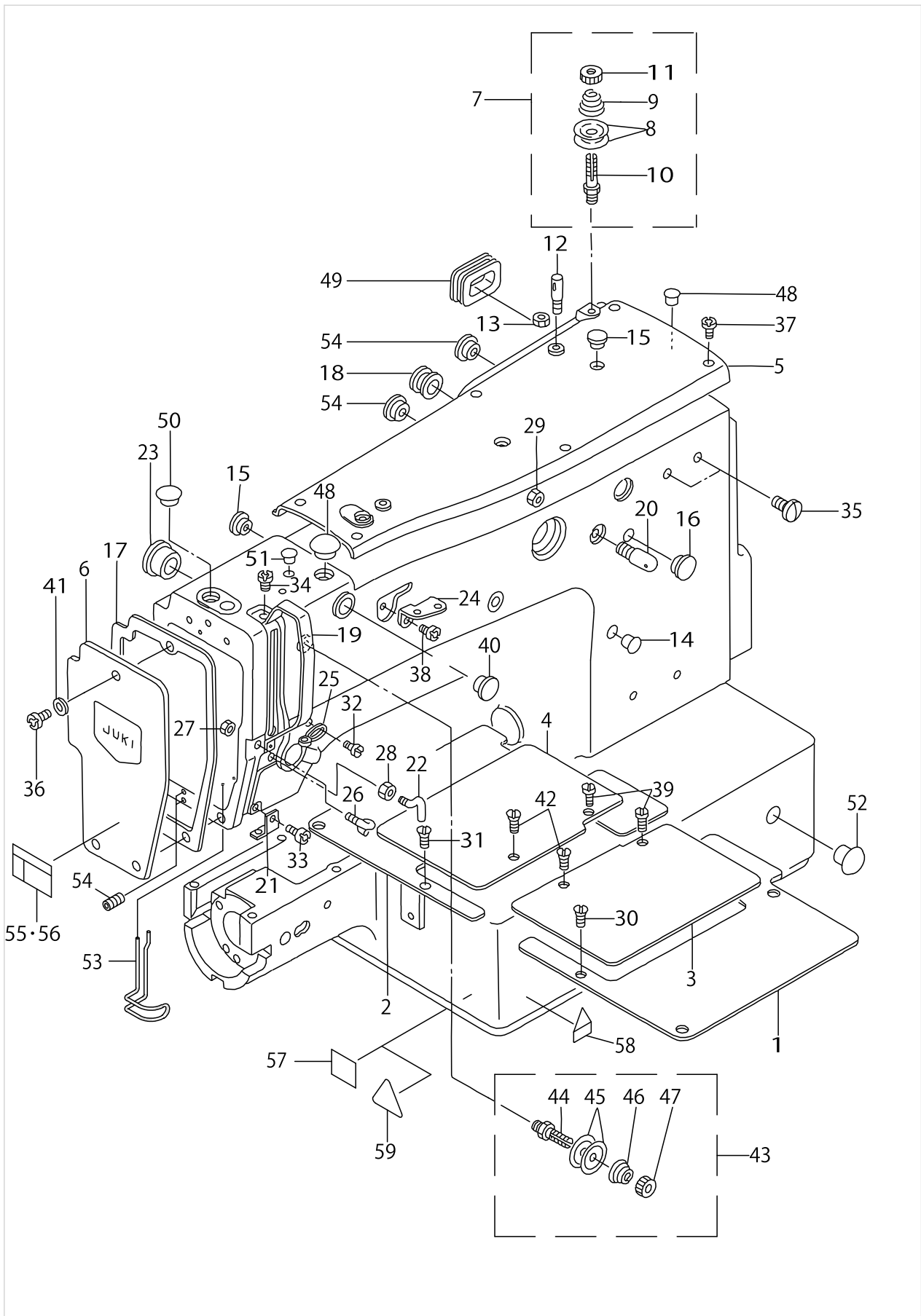
FRAME & MICELLANEOUS COVER COMPONENTS (1)



FRAME & MICELLANEOUS COVER COMPONENTS (1)

No.	Supply Code	Parts No.	Replacement	Parts name	Remarks	Choice	Step	Level	Cons	Qty	Rep. QTY
1	D	B1108205000		RIGHT COVER						1	
2		B1109205000		LEFT COVER						1	
3	D	B1110205000		AUXILARY COVER RIGHT						1	
4		B1111205000		AUXILARY COVER LEFT						1	
5	D	B110421000B		TOP COVER						1	
6	D	B11052050AA		FACE COVER ASM.						1	
7	R	B11152320A0	26218651	FIRST THREAD TENSION ASM.						1	1.00
8	R	B3126012000	22921506	THREAD TENSION DISK				*		2	1.00
9		B1115232000		FIRST THREAD TENSION SPRING				*		1	
10	R	B3123352000	26220400	THREAD TENSION ROD				*		1	1.00
11	R	B3125012000	22928808	THREAD TENSION NUT				*		1	1.00
12		10007003		THREAD GUIDE PIN						1	
13		NS6110310SP		NUT 11/64-40						1	
14		TA0850604R0		RUBBER PLUG						2	
15		TA1050504R0		RUBBER PLUG						2	
16		TA1250406R0		RUBBER PLUG D=12.5 L=4						3	
17		B1117210000		FACE PLATE GASKET						1	
18		B1126210000		WIRE BUSHING						1	
19	R	13816608	26211607	BALANCE COVER						1	1.00
20	R	B1123280000	26212001	FIRST THREAD GUIDE						1	1.00
21		B1129210000		FRAME THREAD GUIDE (B)						1	
22	R	B1125280000	26212209	L-SHAPED THREAD GUIDE A						1	1.00
23		TA2100904R0		RUBBER PLUG						1	
24	R	B1111232000	26211904	THREAD GUIDE PLATE						1	1.00
25		B1126552000		ARMTHREADGUIDEA						1	
26		B3114771000		THREAD GUIDE						1	
27		NS6090310SP		NUT 9/64-40						1	
28		NS6090310SP		NUT 9/64-40						1	
29		NS6150310SP		NUT15/64-28						1	
30		SS1110840SP		SCREW 11/64-40 L=8						3	
31		SS1110840SP		SCREW 11/64-40 L=8						3	
32		SS3090610SP		SCREW 9/64-40 L=6						1	
33		SS7110840SP		SCREW 11/64-40 L=7.8						1	
34		SS4090715SP		SCREW 9/64-40 L=7						2	
35		SS7110840SP		SCREW 11/64-40 L=7.8						2	
36		SS4111015SP		SCREW11/64-40L=10						3	
37		SS4111015SP		SCREW11/64-40L=10						6	
38		SS4150715SP		SCREW 15/64-28 L=7						1	
39		SS7110720SP		SCREW 11/64-40 L=7						2	
40		TA1470704R0		RUBBER PLUG						1	
41		WP0480856SP		WASHER 4.8X8.4X0.8						3	
42		SS1110840SP		SCREW 11/64-40 L=8						2	
43	R	B11152320A0	26218651	FIRST THREAD TENSION ASM.						1	1.00
44	R	B3123352000	26220400	THREAD TENSION ROD				*		1	1.00
45	R	B3126012000	22921506	THREAD TENSION DISK				*		2	1.00
46		B1115232000		FIRST THREAD TENSION SPRING				*		1	

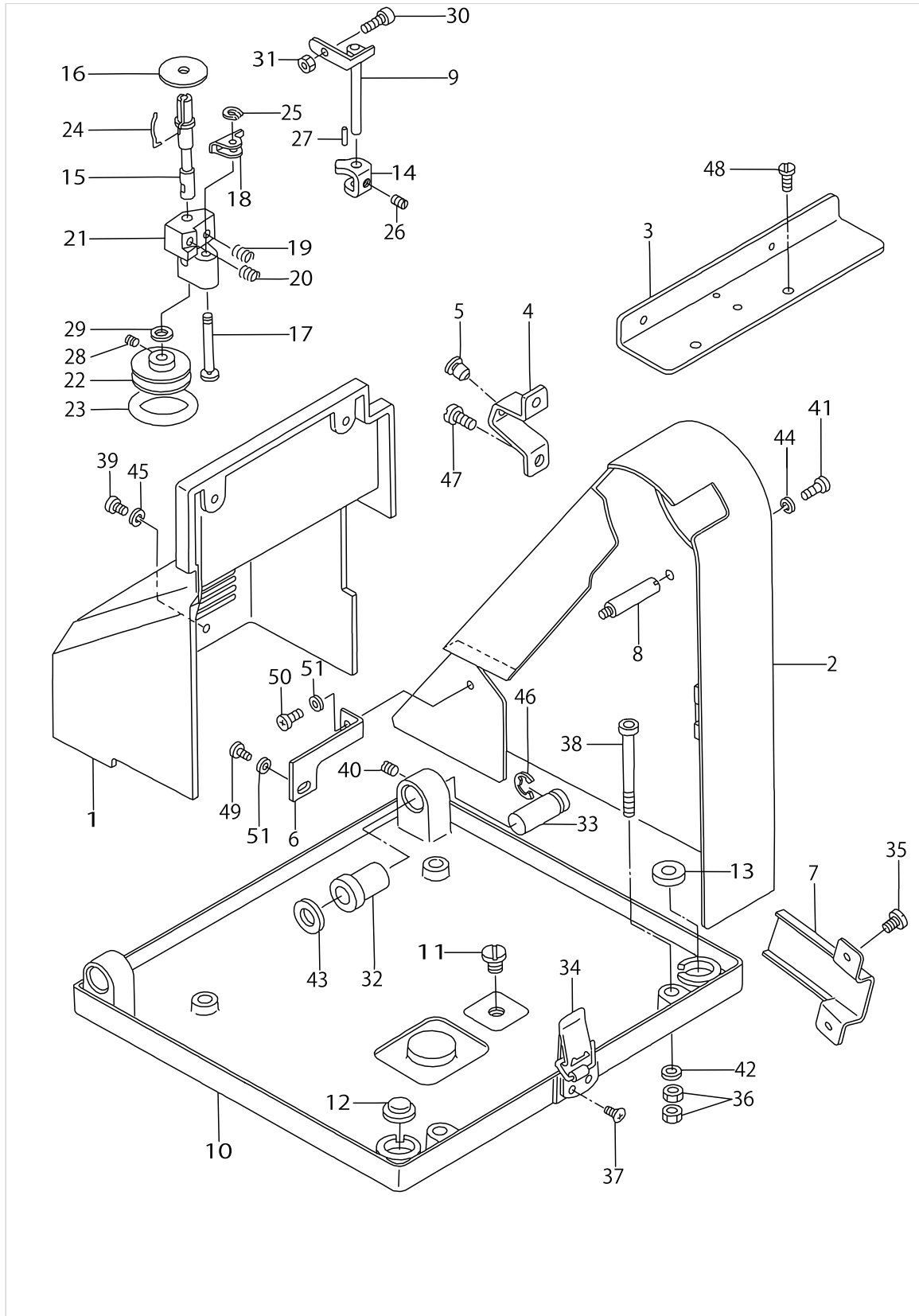
FRAME & MICELLANEOUS COVER COMPONENTS (1)



FRAME & MICELLANEOUS COVER COMPONENTS (1)

No.	Supply Code	Parts No.	Replacement	Parts name	Remarks	Choice	Step	Level	Cons	Qty	Rep. QTY
47	R	B3125012000	22928808	THREAD TENSION NUT				*		1	1.00
48		TA1050504R0		RUBBER PLUG						1	
49		B3515210000		RUBBER PLUG						2	
50		TA1250804R0		RUBBER PLUG						2	
51		TA0750704R0		RUBBER PLUG						1	
52		TA1250504R0		RUBBER PLUG						2	
53	D	B1125205000		FINGER GUARD						1	
54		SS8110422TP		SCREW 11/64-40 L=4						2	
55		CM300200301		SAFETY LABEL 5(SMALL).	FOR DOMESTIC					1	
56		CM3002003A1		SAFETY LABEL 6 (SMALL).	FOR EXPO- RT(EXCEPT JE)					1	
57	D	B1143210000		LABEL	FOR JE					1	
58		CM3002000B2		LABEL(25)	FOR DOMESTIC					1	
59		CM300200002		CAUTION LABEL(25)	FOR JE					1	

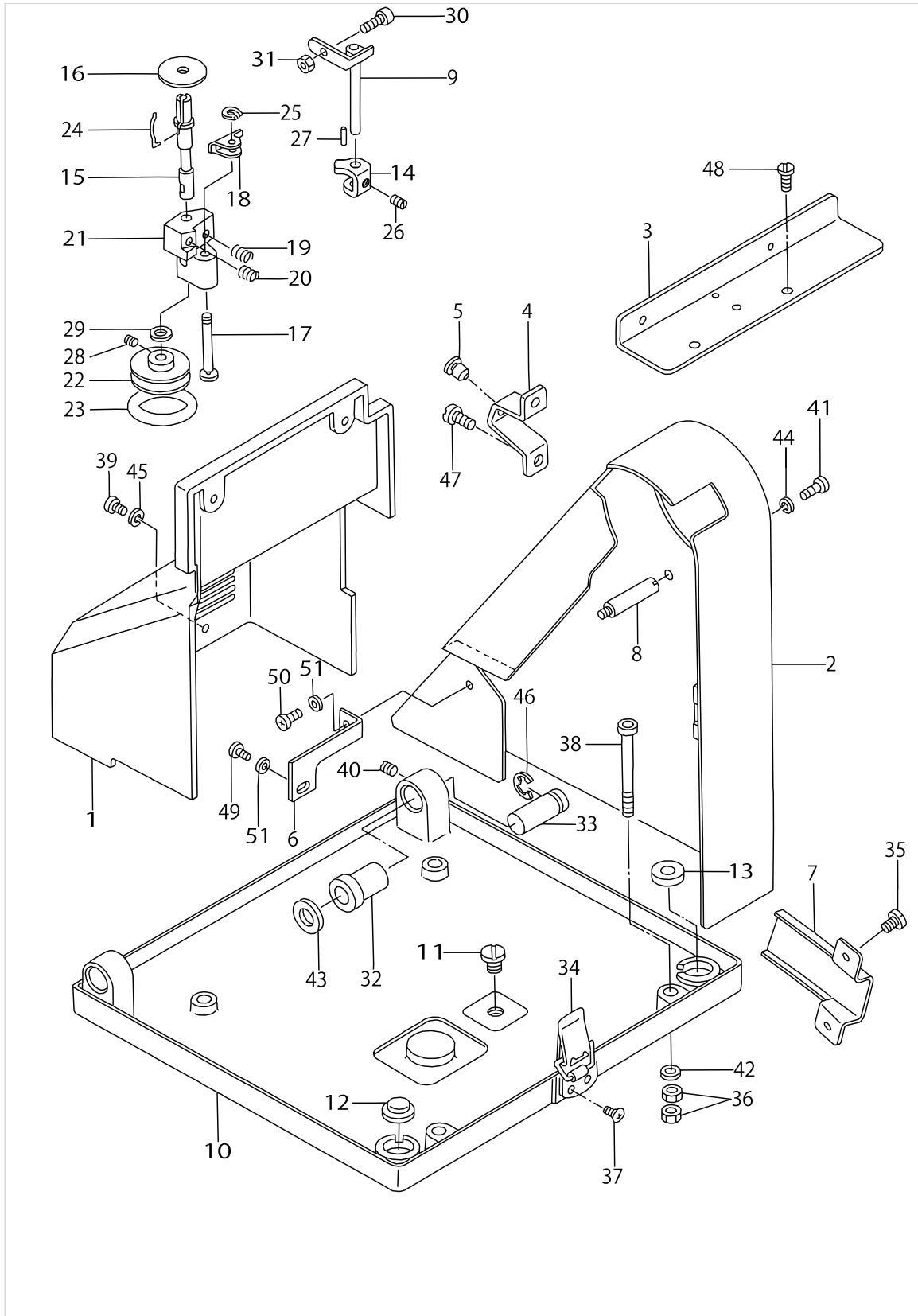
FRAME & MICELLANEOUS COVER COMPONENTS (2)



FRAME & MICELLANEOUS COVER COMPONENTS (2)

No.	Supply Code	Parts No.	Replacement	Parts name	Remarks	Choice	Step	Level	Cons	Qty	Rep. QTY
1		B110620500A		SIDE COVER						1	
2		B110720500A		BELT COVER						1	
3	D	B1115205000		SIDE COVER STOPPER						1	
4	D	B1116205000		FRAME SUPPORT						1	
5		B1117205000		RUBBER PAD						1	
6		B1118205000		BELT COVER SUPPORT						1	
7	D	B1119205000		CABLE COVER						1	
8		B1120205000		BELT COVER SUPPORT						3	
9		B32012100A0		STOP LATCH ASM.						1	
10	D	B1103205000		MACHINE BASE						1	
11		SS7740740SP		SCREW 3/8-28 L=6.5						1	
12	D	B1116210000		RUBBER PAD						1	
13		B1123205000		RUBBER PAD						1	
14		B320321000A		CAM						1	
15		B3204210000		SPINDLE						1	
16		B3205210000		CUSHION						1	
17		B3206210000		SCREW STUD						1	
18		B3207210000		TRIP LATCH						1	
19		B3208210000		SPRING A						1	
20		B3209210000		SPRING B						1	
21		B3210210000		BOBBIN WINDER BASE						1	
22		B3211210000		BOBBIN WINDER WHEEL						1	
23		B3212210000		FRICTION WHEEL						1	
24		B3212761000		LATCH SPRING						1	
25		D2430555B00		SNAP RING						1	
26		SS8110520TP		SCREW 11/64-40 L=4.5						1	
27		PS0150065KP		SPRING PIN 1.5X6						1	
28		SS8110520TP		SCREW 11/64-40 L=4.5						2	
29		WP0651056SH		WASHER 6.5X11X1						1	
30		B3208280000		BOBBIN WINDER A-DJUSTING SCREW						1	
31		NS6110530SP		NUT 11/64-40						1	
32	R	13500400	26210005	RUBBER BUSH						2	1.00
33		B1107280000		BED FITTING PIN						2	
34	D	B11312100A0		PUNCH HINGE ASM.						1	
35		SS4110715SP		SCREW 11/64-40 L=7						2	
36		NM6050001SC		NUT M5						7	
37		SM1030801SA		SCREW M3X0.5 L=8						4	
38		SM6056552TP		SCREW						4	
39		SS4111015SP		SCREW11/64-40L=10						4	
40	R	SS8150710SP	SS8150710TP	SCREW 15/64-28 L=7						2	1.00
41		SS4111015SP		SCREW11/64-40L=10						3	
42		WP0551626SD		WASHER 5.5X22.0X1.6						4	
43		WP1021016SD		WASHER						2	
44		WP0501016SD		WASHER 5X10.5X1						3	
45		WP0480856SP		WASHER 4.8X8.4X0.8						2	
46		RE0600000K0		E-RING 6						2	

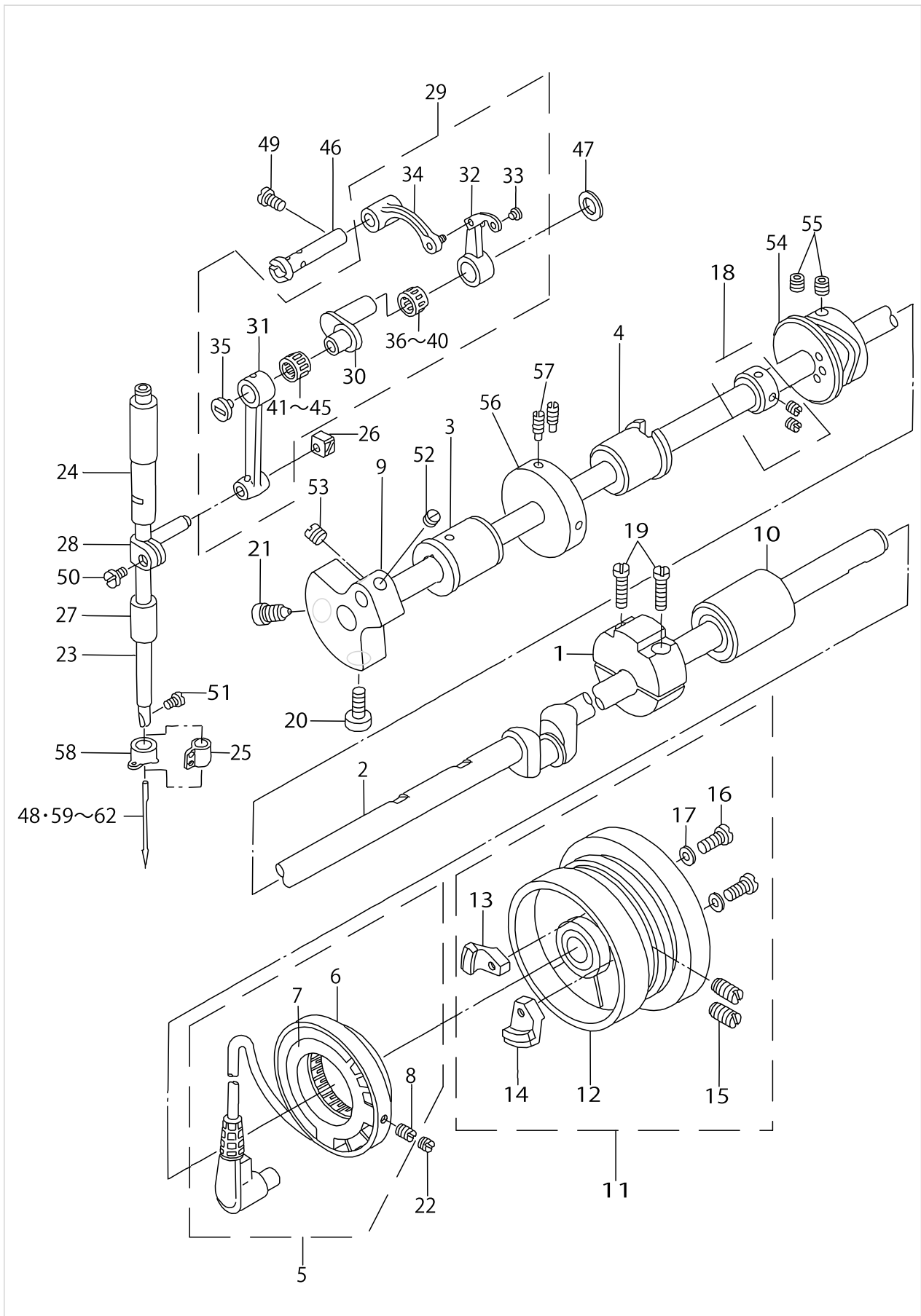
FRAME & MICELLANEOUS COVER COMPONENTS (2)



FRAME & MICELLANEOUS COVER COMPONENTS (2)

No.	Supply Code	Parts No.	Replacement	Parts name	Remarks	Choice	Step	Level	Cons	Qty	Rep. QTY
47		SS7150910TP		SCREW 15/64-28 L=9						2	
48		SS4111015SP		SCREW 11/64-40 L=10						2	
49		SS4110515SP		SCREW 11/64-40 L=5						1	
50		SS4110815SP		SCREW 11/64-40 L=8						1	
51		WP0501016SD		WASHER 5X10.5X1						2	

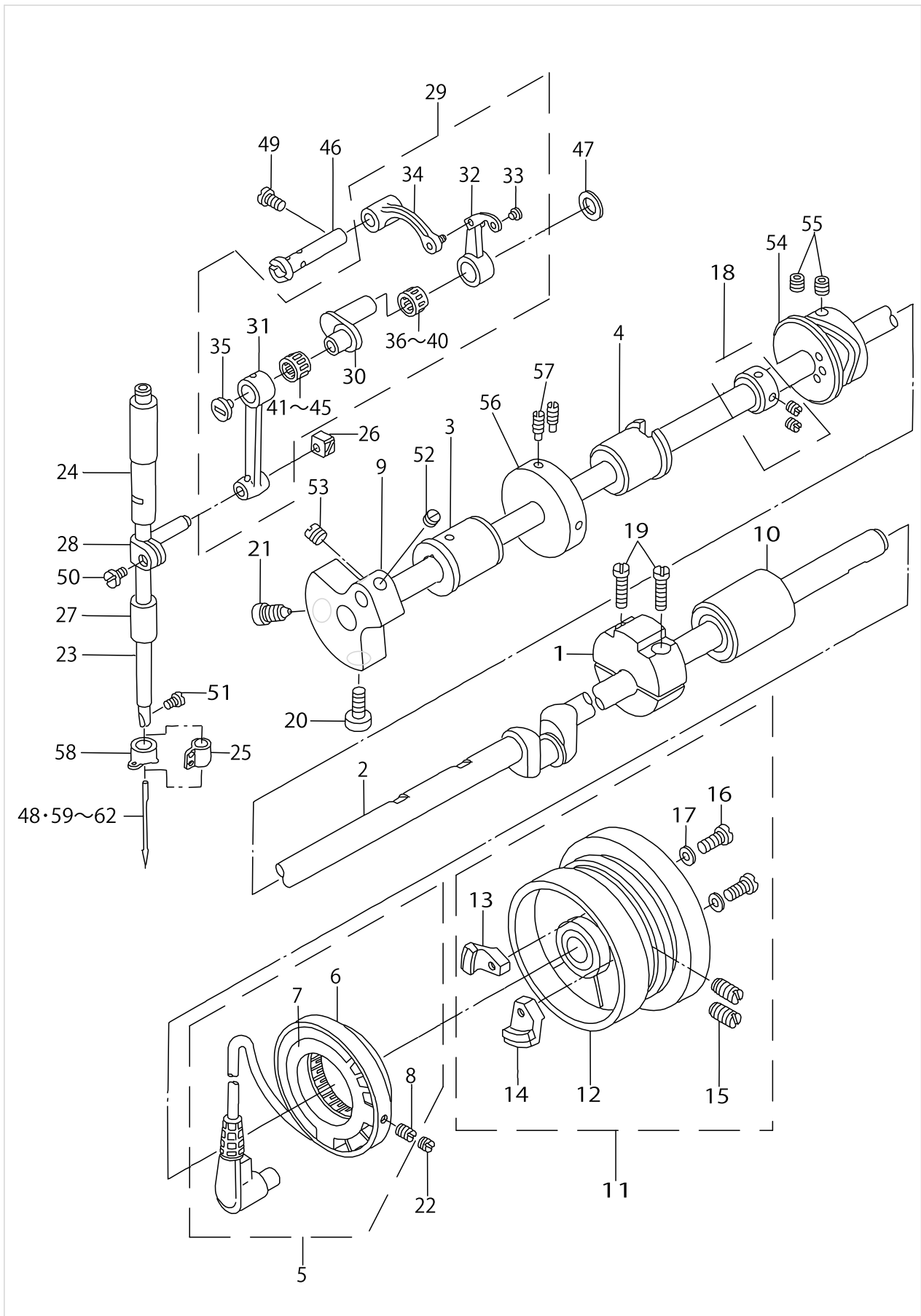
MAIN SHAFT & NEEDLE BAR COMPONENTS



MAIN SHAFT & NEEDLE BAR COMPONENTS

No.	Supply Code	Parts No.	Replacement	Parts name	Remarks	Choice	Step	Level	Cons	Qty	Rep. QTY
1	D	B1207205000		CRANK BALANCER						1	
2	D	B1201210000		MAIN SHAFT						1	
3		B1202210000		BUSHING FRONT						1	
4		B1203210000		BUSHING INTERMEDIATE						1	
5		B12092100A0		GENERATOR STATOR ASM.						1	
6	D	M40051100A0		STATOR ASM.				*		1	
7	R	B12102100A0	B12092100A0	SYNCHRO CIRCUIT BOARD ASM.				*		1	1.00
8		SS8111010TP		SCREW 11/64-40 L=9.5				*		2	
9		B1202280000		COUNTER WEIGHT						1	
10		B12042100A0		BUSHING REAR						1	
11		B12052100BA		HAND WHEEL ASM.						1	
12	R	B12052100AA	B12052100BA	HAND WHEEL ASM.				*		1	1.00
13		M40071100AB		MAGNET FITTING BASE B ASM.				*		1	
14		B12082100A0		SOLENOID INSTALL- ING PLATE ASM.				*		1	
15		SS8151550SP		SCREW 15/64-28L=15				*		2	
16		SS6111210SP		SCREW 11/64-40L=12				*		2	
17		WP0450801SD		WASHER 4.5X10X0.8				*		2	
18		CS147101ASH		THRUST COLLAR A- SM. D=14.72 W=1						1	
19		SS6122510SP		SCREW 3/16-28 L=25						2	
20		SS6151412TP		SCREW 15/64-28L=14						1	
21		SS6681712TP		SCREW 9/32-28 L=16.5						1	
22		SS8110422TP		SCREW 11/64-40 L=4						2	
23		B1401210000		NEEDLE BAR						1	
24	R	B1402280000	26203208	NEEDLE ROD METAL						1	1.00
25		B1405210000		THREAD GUIDE A	FOR 205C- SS/206CSS					1	
26		B1414232000		SQUARE BLOCK						1	
27		B1403280000		NEEDLE ROD LOWER METAL						1	
28		B14115520A0		NEEDLE ROD HOLDER ASM.						1	
29		B19012800B0		LINK BALANCE ASM.						1	
30		B1203280000		NEEDLE ROD CRANK				*		1	
31		B1404280000		NEEDLE BAR CRANK ROD				*		1	
32	R	B1901280000	B19012800A0	THREAD TAKE-UP LEVER				*		1	1.00
33	R	B1902280000	B19012800A0	THREAD HANDLING AREA BUSH				*		1	1.00
34	R	B1903280000	B19012800A0	THREAD TAKE-UP CRANK				*		1	1.00
35		B1903552000		LEFT SCREW				*		1	
36		B1905541B00		NEEDLE BEARING	SELECTIVE PART			*		1	
37		B1905541A00		NEEDLE BEARING A	SELECTIVE PART			*		1	
38		B1905541B00		NEEDLE BEARING	SELECTIVE PART			*		1	
39		B1905541C00		NEEDLE BEARING	SELECTIVE PART			*		1	
40		B1905541D00		NEEDLE BEARING	SELECTIVE PART			*		1	
41		B1411804C00		NEEDLE DRIVING L- EVER BEARING C	SELECTIVE PART			*		1	
42		B1411804A00		BEARING (A)	SELECTIVE PART			*		1	
43		B1411804B00		NEEDLE DRIVING L- EVER BEARING B	SELECTIVE PART			*		1	
44		B1411804C00		NEEDLE DRIVING L- EVER BEARING C	SELECTIVE PART			*		1	

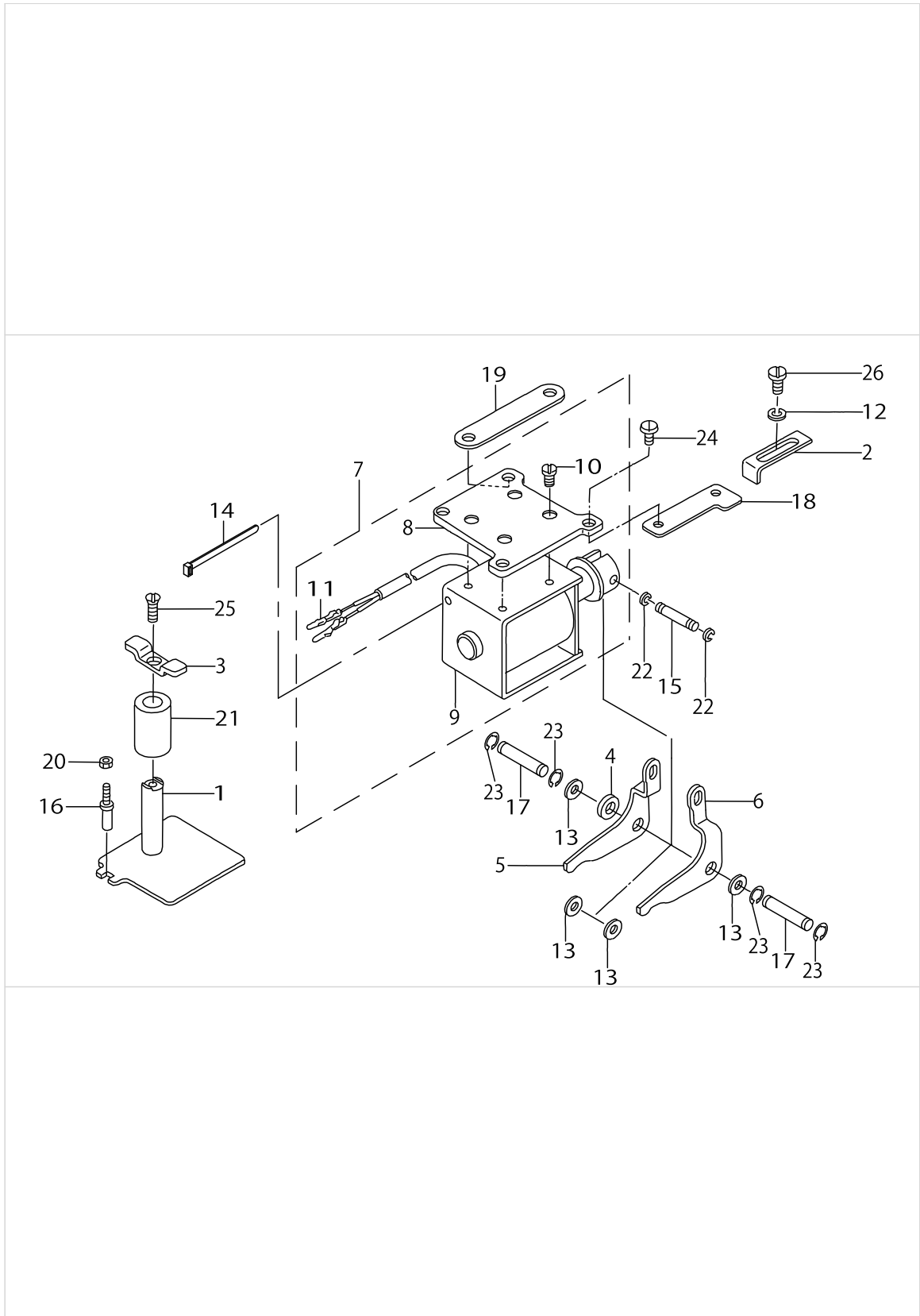
MAIN SHAFT & NEEDLE BAR COMPONENTS



MAIN SHAFT & NEEDLE BAR COMPONENTS

No.	Supply Code	Parts No.	Replacement	Parts name	Remarks	Choice	Step	Level	Cons	Qty	Rep. QTY
45		B1411804D00		BEARING (D)	SELECTIVE PART			*		1	
46		B1904280000		BALANCE CRANK PIN						1	
47		B1223771000		NEEDLE ROD CRANK WASHER						1	
48		MDP500B1400		NEEDLE DPX5 #14						1	
49		SS7151120SP		SCREW 15/64-28L=11						1	
50		SS6090670TP		SCREW 9/64-40 L=6						1	
51		SS7080510TP		SCREW 1/8-44 L=4.5						1	
52		SS8660530TP		SCREW 1/4-40 L=4.5						1	
53		SS8660610TP		SCREW 1/4-40 L=6						1	
54		B2401205000		THREAD TRIMMER CAM						1	
55		SS8661012TP		SCREW						2	
56		B3213205000		BOBBIN WINDER DRIVING WHEEL						1	
57		SS8111610SP		SCREW 11/64-40 L=15.5						2	
58	R	B1406210000	40026884	THREAD GUIDE	FOR 205C- HS/206CHS					1	1.00
59		MDP500B1400		NEEDLE DPX5 #14	FOR 205C- SS/206CSS (EXCEPT JE)					1	
60		MC200501000		NEEDLE #100	FOR 205C- SS/206CSS (FOR JE)					1	
61		MDP170B1800		NEEDLE DPX17 #18	FOR 205C- HS/206CHS (EXCEPT JE)					1	
62		MC372001100		NEEDLE 135X17 #110	FOR 205C- HS/206CHS (FOR JE)					1	

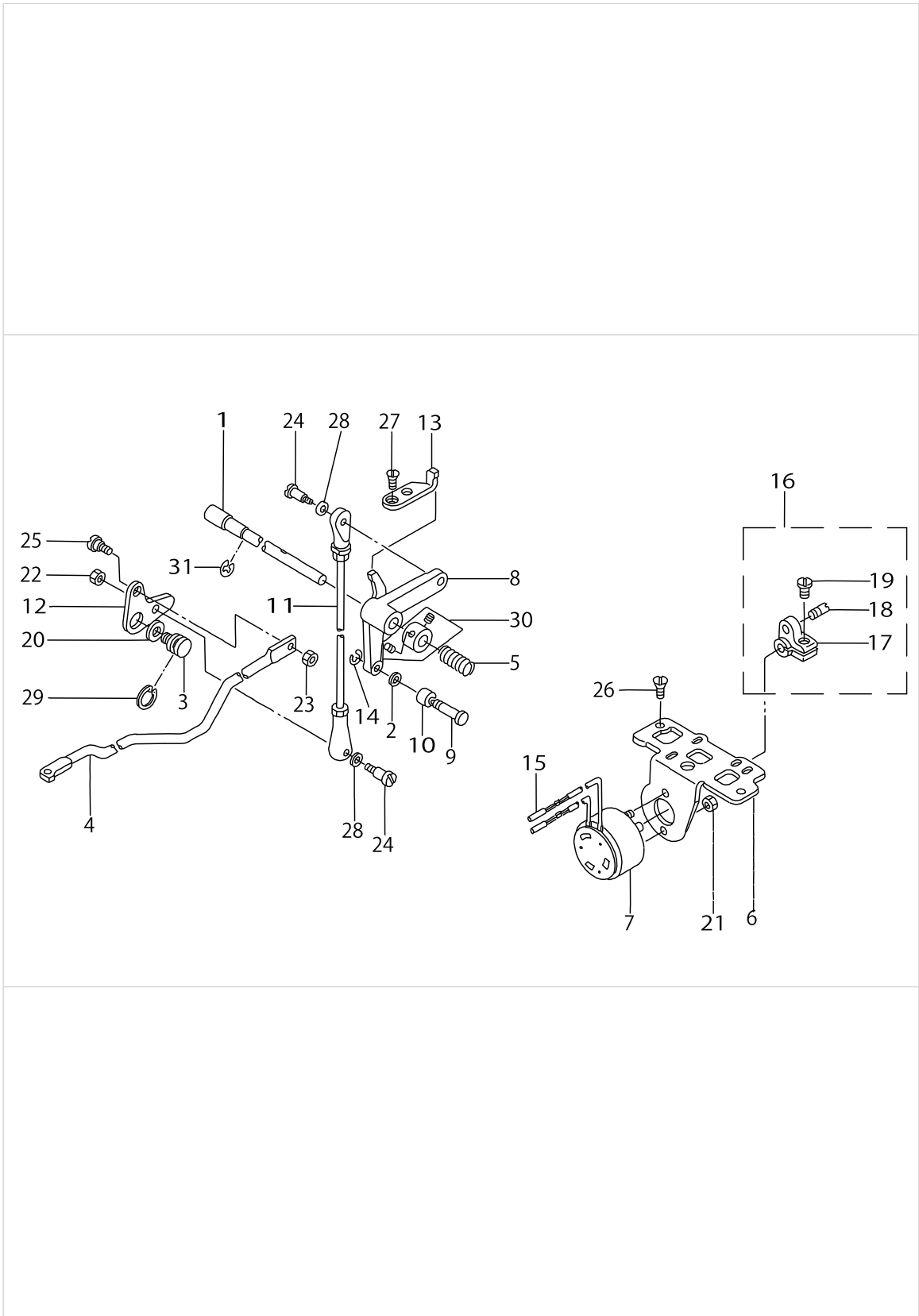
PRESSER PLATE COMPONENTS



PRESSER PLATE COMPONENTS

No.	Supply Code	Parts No.	Replacement	Parts name	Remarks	Choice	Step	Level	Cons	Qty	Rep. QTY
1	D	B15022050A0		FEED PLATE CARRIER BAR ASM.						1	
2		B1512205000		PRESSER SUPPORT BRACKET						1	
3		B1511205000		UPPER PLATE						1	
4		B1505205000		SPACER	FOR 205C-SS/2005CHS					1	
5		B1504205000A		PRESSERLINK (LEFT)						1	
6		B1501205000A		PRESSER LINK (RIGHT)						1	
7	D	B15082050A0		SOLENOID ASM.						1	
8		B1507205000		SOLENOID INSTALLING PLATE				*		1	
9	R	B1508205000	B15082050A0	SOLENOID				*		1	1.00
10		SS6110610TP		SCREW 11/64-40 L=6				*		4	
11		D6042555B00		PIN TERMINAL FEMALE				*		2	
12		WS0521010KP		SPRING WASHER 5.2X8.5X1.0						1	
13		WP0841600SE		WASHER 8.4X15.5X1.6						4	
14		EA9500B0100		CABLE BAND						1	
15		B1504210000		CONNECTING SHAFT						1	
16	D	B1505210000		SCREW STUD						1	
17		B1509205000		CONNECTING SCREW						2	
18	D	B1513212000		SPACER A						1	
19		B1520212000		SPACER B						1	
20		NS6110420SP		NUT 11/64-40						1	
21	R	11010709	22912802	FEED LEVER METAL						1	1.00
22		RE0320000K0		E-RING 3.2						2	
23		RE0600000K0		E-RING 6						4	
24		SS5110810SP		SCREW 11/64-40 L=8						4	
25		SS2621540SP		SCREW 3/16-32 L=15						1	
26		SS6121220TP		SCREW 3/16-28 L=11.5						1	

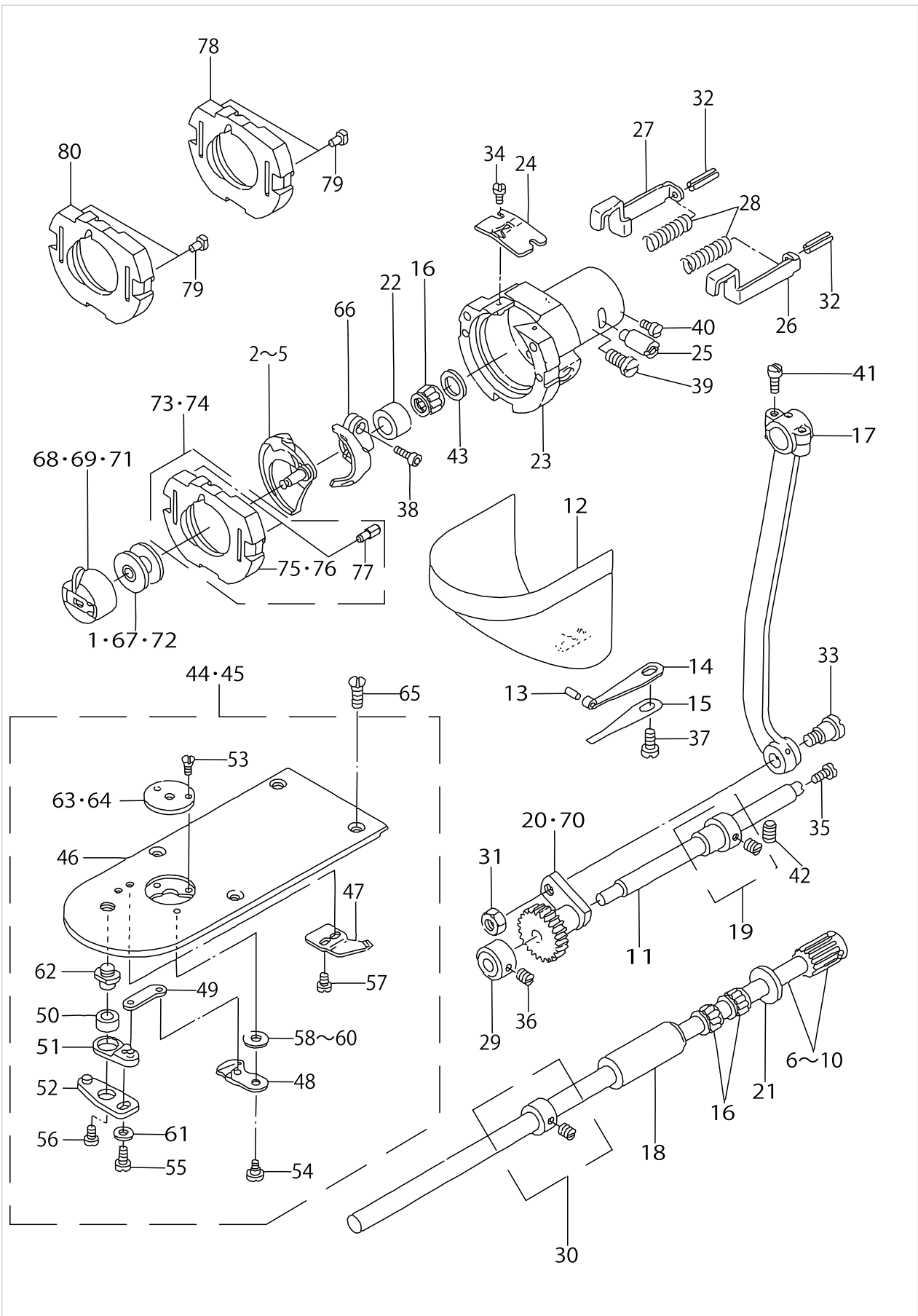
TENSION RELEASE & THREAD TRIMMER MECHANISM COMPONENTS



TENSION RELEASE & THREAD TRIMMER MECHANISM COMPONENTS

No.	Supply Code	Parts No.	Replacement	Parts name	Remarks	Choice	Step	Level	Cons	Qty	Rep. QTY
1	D	B2408205000		CAM SHAFT						1	
2		B2409205000		CAM ROLLER WASHER						1	
3	D	B2410205000		HINGE SCREW						1	
4	D	B2413205000		KNIFE DRIVING BAR						1	
5		B2415205000		SPRING						1	
6		B2402210000		SOLENOID INSTALLING BASE						1	
7		B2403210000		SOLENOID						1	
8		B2404210000		CAM INSTALLING LINK						1	
9		B2405210000		SHAFT						1	
10		D2427555B00B		CAM ROLLER						1	
11	D	B2407210000		CONNECTING ROD						1	
12		B2411210000		THREAD TRIMMER LINK						1	
13		B2412210000		STOPPER						1	
14		D2430555B00		SNAP RING						1	
15		D6042555B00		PIN TERMINAL FEMALE						2	
16	D	B24092100A0		SOLENOID ARM ASM.						1	
17		B2409210000		SOLENOID ARM				*		1	
18		B2410210000		PIN				*		1	
19		SS6121210SP		SCREW 3/16-28 L=12				*		1	
20	R	13515200	26226001	THREAD CUTTING LINK WASHER						1	1.00
21		NM6040003SC		NUT M4						2	
22		NS6110420SP		NUT 11/64-40						1	
23		NS6120310SP		NUT 3/16-28						1	
24		SD0500803TP		HINGESCREWD=5H=8						2	
25		SD0650305TP		HINGE SCREW D=6.5 H=3						1	
26		SS2110920TP		SCREW 11/64-40 L=8.5						2	
27		SS2110920TP		SCREW 11/64-40 L=8.5						2	
28		WP0501016SD		WASHER 5X10.5X1						2	
29		RC1021011KP		RETAINING RING 10.2						1	
30		CS080081FSH		THRUST COLLAR ASM.						1	
31		RE070000K0		E-RING 7						1	

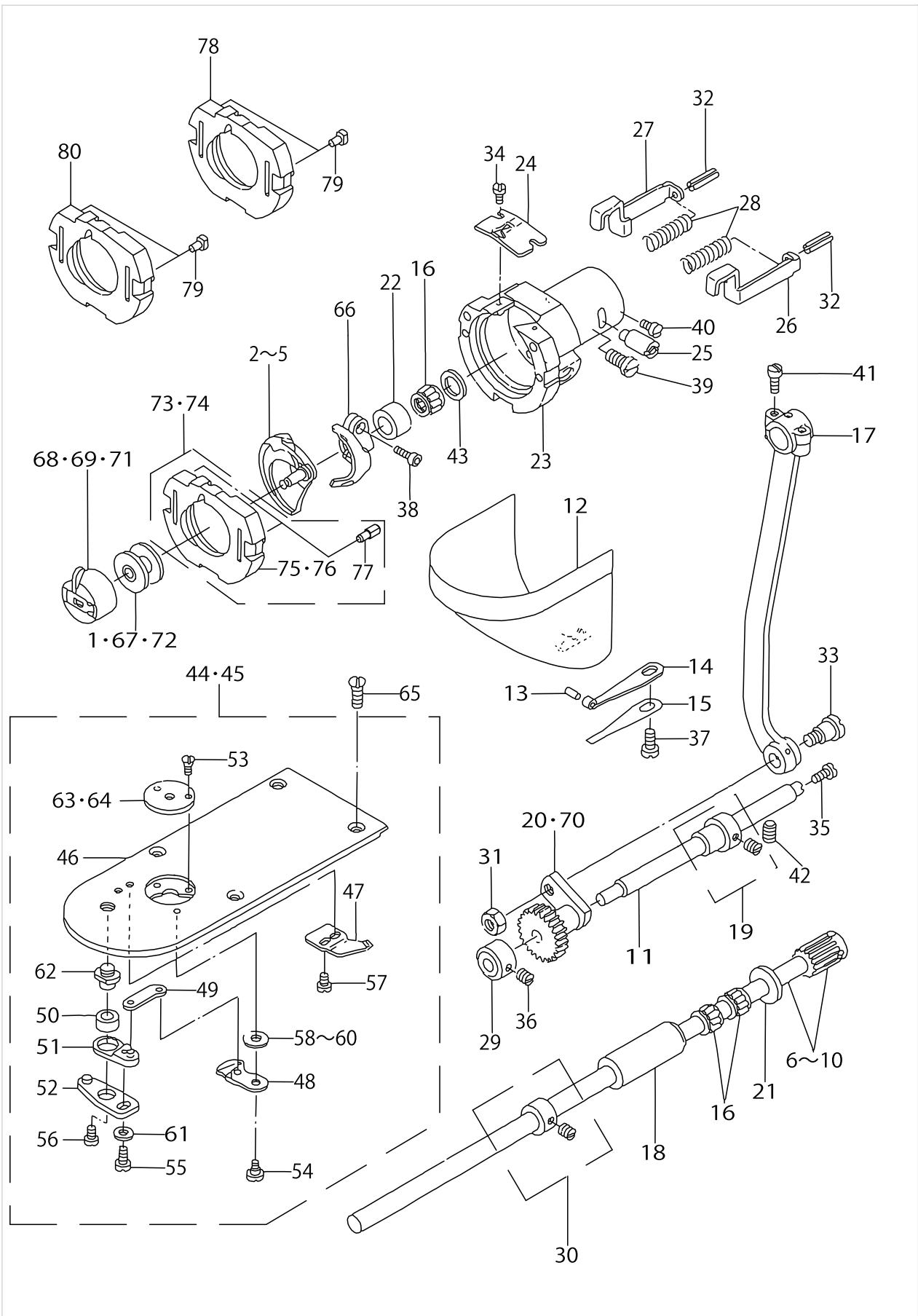
SHUTTLE DRIVER SHAFT COMPONENTS



SHUTTLE DRIVER SHAFT COMPONENTS

No.	Supply Code	Parts No.	Replacement	Parts name	Remarks	Choice	Step	Level	Cons	Qty	Rep. QTY
1		B1805205000		BOBBIN	FOR 205C-SS/206CS-S(EXCEPT KOREA)					1	
2		B1818205000		SHUTTLE	FOR 205C-SS/206CS-S(EXCEPT KOREA)					1	
3	R	B1818280000	26204909	INNER HOOK	FOR KOREA					1	1.00
4		D1818282N00		SHUTTLE	FOR 205C-HS/206CHS					1	
5		B1818205A0B		HSMALLINNERHOOK.	FOR 205C-HS/206CHS					1	
6	D	B18112050AA		SHUTTLE DRIVER SHAFT ASM.						1	
7		B18112050AB		SHUTTLE DRIVER SHAFT ASM.	SELECTIVE PART					1	
8		B18112050AC		SHUTTLE DRIVER SHAFT ASM.	SELECTIVE PART					1	
9		B18112050AY		SHUTTLE DRIVER SHAFT ASM.	SELECTIVE PART					1	
10		B18112050AZ		SHUTTLE DRIVER SHAFT ASM.	SELECTIVE PART					1	
11	R	13508205	26203901	OSCILLATING SHAFT						1	1.00
12	R	13816855	40142674	CYLINDER ARM CAP						1	1.00
13		13508700		HOOK COVER PRESSER SPRING PIN						1	
14	R	13508809	26221101	HOOK COVER PRESSER SPRING A						1	1.00
15	R	13508908	26221200	HOOK COVER PRESSER SPRING B						1	1.00
16		B1411804B00		NEEDLE DRIVING LEVER BEARING B						3	
17		B1802210000		CRANK ROD						1	
18		B1803210000		BUSHING REAR						1	
19	R	B18042800A0	26221853	THRUST COLLAR ASM.						1	1.00
20		B1805980000		OSCILLATOR	FOR 205C-SS/206CSS					1	
21		B1808980000		LOWER SHAFT THRUST WASHER						1	
22		B1813980000		SHUTTLE NEEDLE OUTER RING						1	
23		B1814980000		SHUTTLE						1	
24	R	B1815980000	26222109	SHUTTLE UPPER SPRING						1	1.00
25	R	B1819280000	26222208	SHUTTLE RACE ADJUSTING SHAFT						1	1.00
26	R	B1820280000	26222307	INNER HOOK PRESSER RIGHT						1	1.00
27	R	B1821280000	26222406	INNER HOOK PRESSER LEFT						1	1.00
28	R	B1823280000	26222505	INNER HOOK PRESSER SPRING						2	1.00
29		CS079101ASH		THRUST COLLAR ASM. D=7.94 W=10						1	
30		CS080081BSH		THRUST COLLAR ASM. D=8.0 W=8						1	
31		NS6660430SP		NUT 1/4-40						1	
32		PS0250162KH		SPRING PIN 2.5X16						2	
33		SD0801021TP		HINGE SCREW D=8 H=10.2						1	
34		SS6060410TP		SCREW 3/32-56 L=3.5						2	
35		SS6091510SP		SCREW 9/64-40 L=15.0						1	
36		SS8110520TP		SCREW 11/64-40 L= 4.5						2	
37		SS7110840SP		SCREW 11/64-40 L=7.8						1	
38		SS6121212TP		SCREW 3/16-28 L=12.0						1	
39		SS6151220SP		SCREW 15/64-28 L=11.5						1	
40		SS7110510SP		SCREW 11/64-40 L=5						1	
41		SS7111110TP		SCREW 11/64-40 L=10.5						2	
42		SS8150822TP		SCREW 15/64-28 L=8						1	

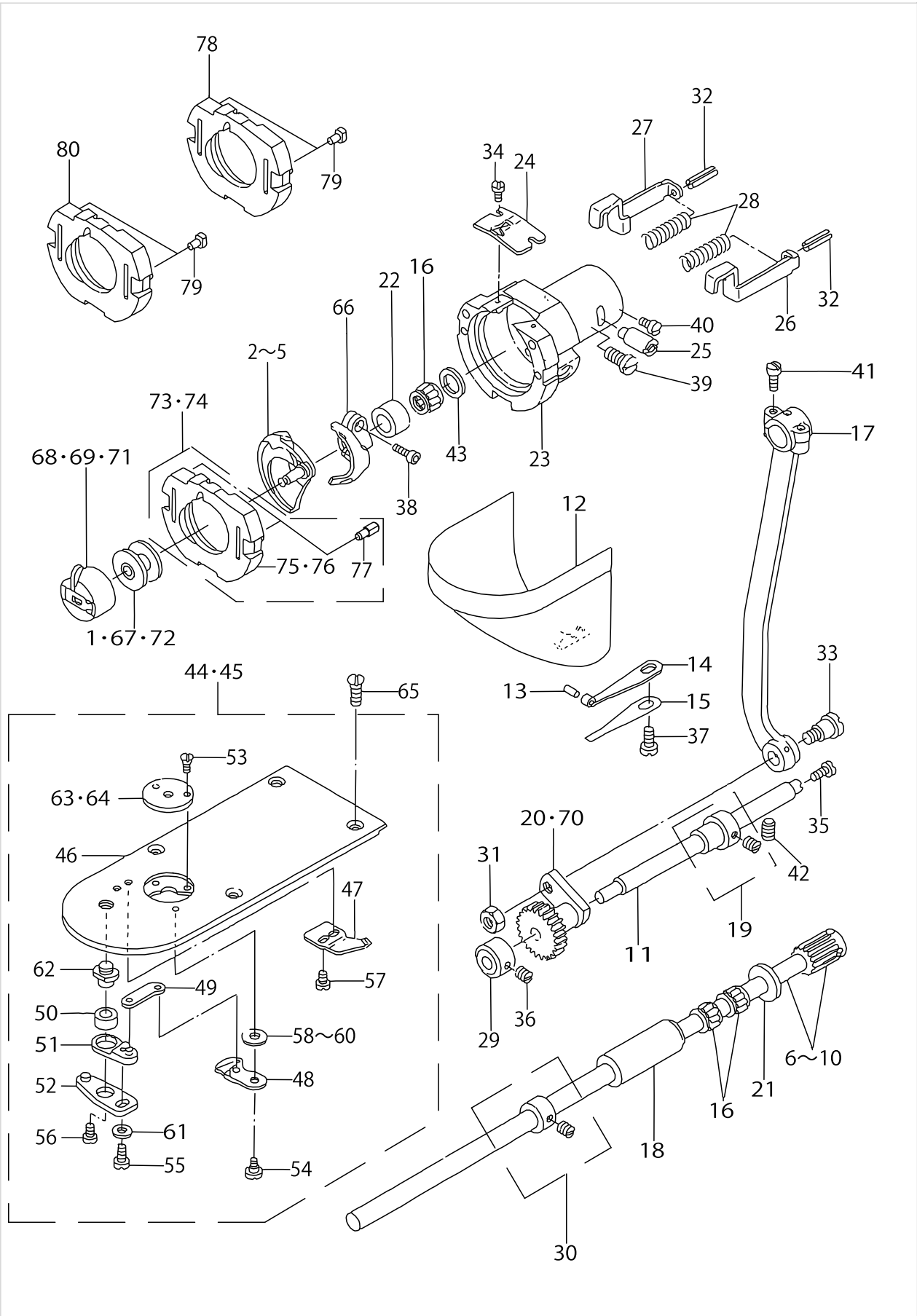
SHUTTLE DRIVER SHAFT COMPONENTS



SHUTTLE DRIVER SHAFT COMPONENTS

No.	Supply Code	Parts No.	Replacement	Parts name	Remarks	Choice	Step	Level	Cons	Qty	Rep. QTY
43		WP0952616SD		WASHER 9.5X14.8X2.6						1	
44	D	B24252100A0		NEEDLE PLATE ASM.	FOR 205C-SS/206CSS					1	
45		B24252100AB		NEEDLE PLATE ASM.	FOR 205C-HS/206CHS					1	
46		B2425210000		NEEDLE PLATE				*		1	
47		B2424210000		COUNTER KNIFE				*		1	
48		B24212050A0		MOVING KNIFE ASM.				*		1	
49		B2418280000		MOVING KNIFE LINK				*		1	
50		B2416280000		THREAD CUTTING LEVER RING				*		1	
51		B24152800A0		THREAD CUTTER L-EVER ASM. SMAL				*		1	
52		B24142800A0		THREAD CUTTER L-EVER ASM. LARG				*		1	
53		SS1060210TP		SCREW 3/32-56 L=2.2				*		2	
54		SD0600101TP		HINGE SCREW				*		1	
55		SS7110740TP		SCREW 11/64-40 L=7				*		1	
56		SS6110430TP		SCREW 11/64-40 L=4.0				*		1	
57		SS7090410SP		SCREW 9/64-40 L=3.5				*		2	
58		B242328000A		MOVING KNIFE WASHER A				*		1	
59		B242328000B		MOVING KNIFE WASHER B	SELECTIVE PART			*		1	
60		B242328000C		MOVING KNIFE WASHER C	SELECTIVE PART			*		1	
61		WP0450846SP		WASHER				*		1	
62		B2417280000		THREAD CUTTER LEVER SHAFT				*		1	
63		B242621000A		NEEDLE HOLE GUIDE D=1.6	FOR 205C-SS/206CSS			*		1	
64		B242621000B		NEEDLE HOLE GUIDE D=2.0	FOR 205C-HS/206CHS			*		1	
65		SS1110640TP		SCREW 11/64-40 L=5.5						4	
66	R	B1812205000	B18122050A0	SHUTTLE DRIVER						1	1.00
67	R	B1827280000	26233106	BOBBIN	FOR KOREA					1	1.00
68		B18282050AA		BOBBIN CASE ASM.	FOR 205C-HS/206CHS					1	
69		B18282050A0		BOBBIN CASE ASM.	FOR 205C-SS/206CS-S(EXCEPT KOREA)					1	
70		D1805MLBH00		OSCILLATING ROCK SHAFT	FOR 205C-HS/206CHS					1	
71		B18289800BB		BOBBIN CASE ASM. (RACING PREVE	FOR KOREA					1	
72		B180520500B		BOBBIN.	FOR 205C-HS/206CHS					1	
73		B18172050A0		SHUTTLE RACE RING ASM.	FOR 205C-SS/206CS-S(EXCEPT KOREA)					1	
74		B18172050AB		SHUTTLE RACE RING ASM.	FOR 205C-HS/206CHS					1	
75	R	B1817205000	B1816280000	SHUTTLE RACE RING	FOR 205C-SS/206CS-S(EXCEPT KOREA)	A		*		1	1.00
75	R	B1817205000	B18172050A0	SHUTTLE RACE RING	FOR 205C-SS/206CS-S(EXCEPT KOREA)	A		*		1	1.00
76	D	B181720500B		SHUTTLE RACE RING	FOR 205C-HS/206CHS			*		1	
77		B1816210000		GUIDE PIN				*		2	
78		D1817282N00		SHUTTLE RACE RING. THICK NEEDL	FOR 205C-HS/206CHS					1	
79		B1816280000		GUIDE PIN						2	

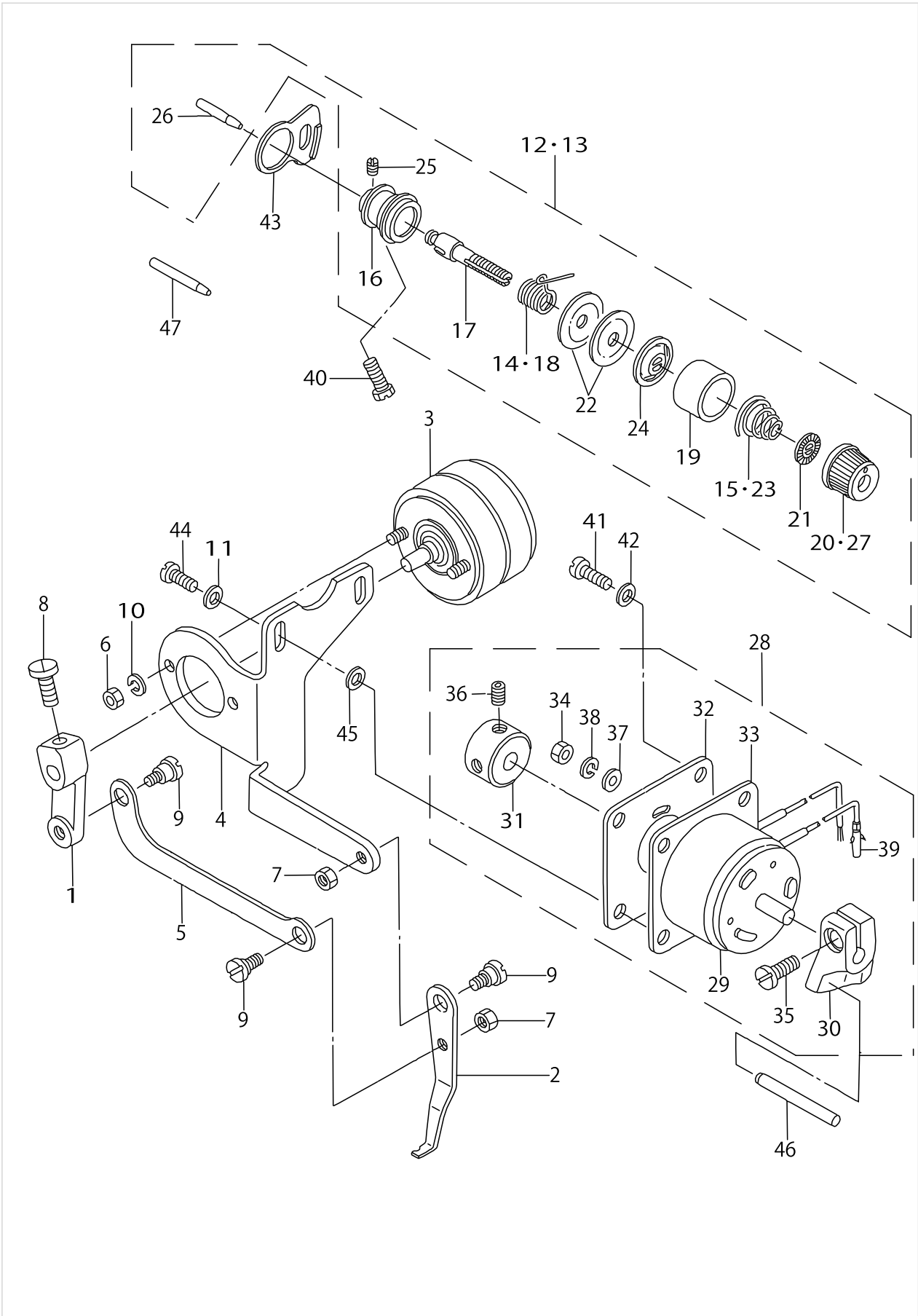
SHUTTLE DRIVER SHAFT COMPONENTS



SHUTTLE DRIVER SHAFT COMPONENTS

No.	Supply Code	Parts No.	Replacement	Parts name	Remarks	Choice	Step	Level	Cons	Qty	Rep. QTY
80		B1817280000		SHUTTLE RACE RING	FOR 205C-SS/206CSS					1	

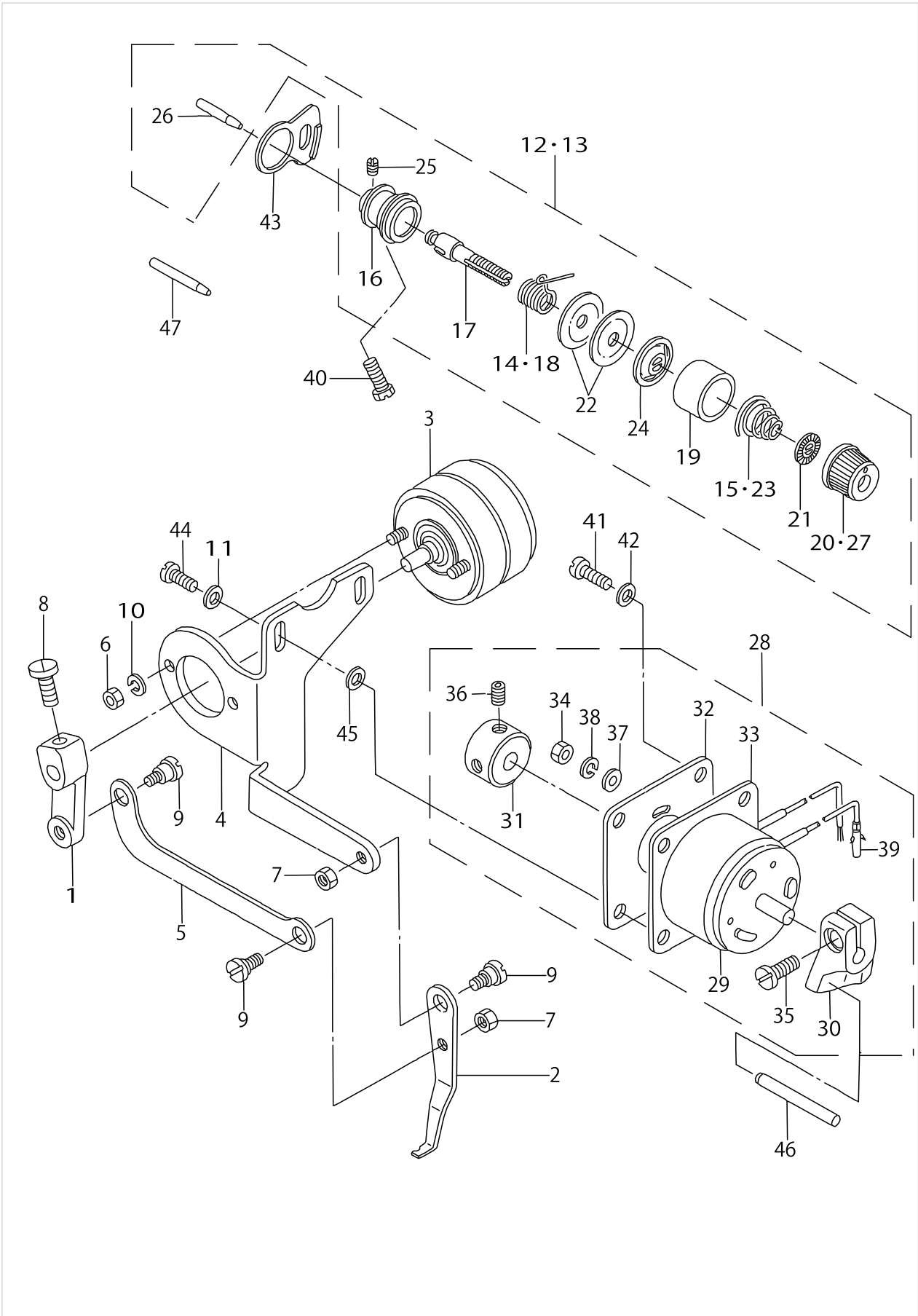
WIPER MECHANISM COMPONENTS



WIPER MECHANISM COMPONENTS

No.	Supply Code	Parts No.	Replacement	Parts name	Remarks	Choice	Step	Level	Cons	Qty	Rep. QTY
1		B210220500A		WIPER ARM						1	
2		B2107205000		WIPER						1	
3		B2101205000		SOLENOID						1	
4	D	B2110205000		WIPER INSTALLING						1	
5		B2103205000		WIPER LINK						1	
6		NM6040003SC		NUT M4						2	
7		NS6110310SP		NUT 11/64-40						2	
8	R	SS7111120SP	SS7111120TP	SCREW 11/64-40 L=10.5						1	1.00
9		SD0600181TP		HINGE SCREW						3	
10	R	WS0410002KS	WS0410002KN	SPRING WASHER M4						2	1.00
11		WP0450801SD		WASHER 4.5X10X0.8						2	
12		B23022800A0		SECOND THREAD TENSION ASM.	FOR 205C-SS/206CSS					1	
13		B23022050AA		SECOND THREAD TENSION.	FOR 205C-HS/206CHS					1	
14		D3112L4BB00		TAKE-UP SPRING (HEAVY)	FOR 205C-HS/206CHS			*		1	
15		B2305205000		TENSION SPRING	FOR 205C-HS/206CHS			*		1	
16		B2313280000		THREAD TENSION ROD LARGE				*		1	
17		B2302280000		SECOND THREAD TENSION ROD				*		1	
18		B3112761000		THREAD TAKE-UP SPRING	FOR 205C-SS/206CSS			*		1	
19		B3107804000		THREAD TENSION DISK PRESSER	FOR 205C-SS/206CSS			*		1	
20	R	B3119771000	13817408	THREAD TENSION NUT	FOR 205C-SS/206CSS			*		1	1.00
21		B3120125000		ROTATING STOPPER				*		1	
22	R	B3126012000	22921506	THREAD TENSION DISK				*		2	1.00
23		B3114232000		THREAD TENSION SPRING	FOR 205C-SS/206CSS			*		1	
24		B3132552000		THREAD TENSION DISK PRESSER				*		1	
25		SS8090610SP		SCREW 9/64-40 L=5.9				*		1	
26		B2303280000		TENSION RELEASE PIN				*		1	
27		13817408		THREAD TENSION NUT	FOR 205C-HS/206CHS			*		1	
28	D	B23032050AA		SOLENOID ASM.						1	
29		B2303205000		SOLENOID				*		1	
30		B2301205000		TENSION RELEASE ARM				*		1	
31		B2304205000		KNOB				*		1	
32		B210420500A		SOLENOID INSTALLING PLATE				*		1	
33		B2105205000		GASKET				*		1	
34		NM6040003SC		NUT M4				*		2	
35		SS6121220TP		SCREW 3/16-28 L=11.5				*		1	
36	R	SS8110510SP	SS8110520TP	SCREW 11/64-40 L=5				*		2	1.00
37		WP0430800SC		WASHER M4				*		2	
38	R	WS0410002KS	WS0410002KN	SPRING WASHER M4				*		2	1.00
39		D6042555B00		PIN TERMINAL FEMALE				*		2	
40		SS9151740CP		SCREW 15/64-28 L=17						1	
41	R	SS7111120SP	SS7111120TP	SCREW 11/64-40 L=10.5						4	1.00
42		WP0460556SD		WASHER 4.6X7.5X0.5						2	
43		B2702210000		GUIDE PLATE						1	

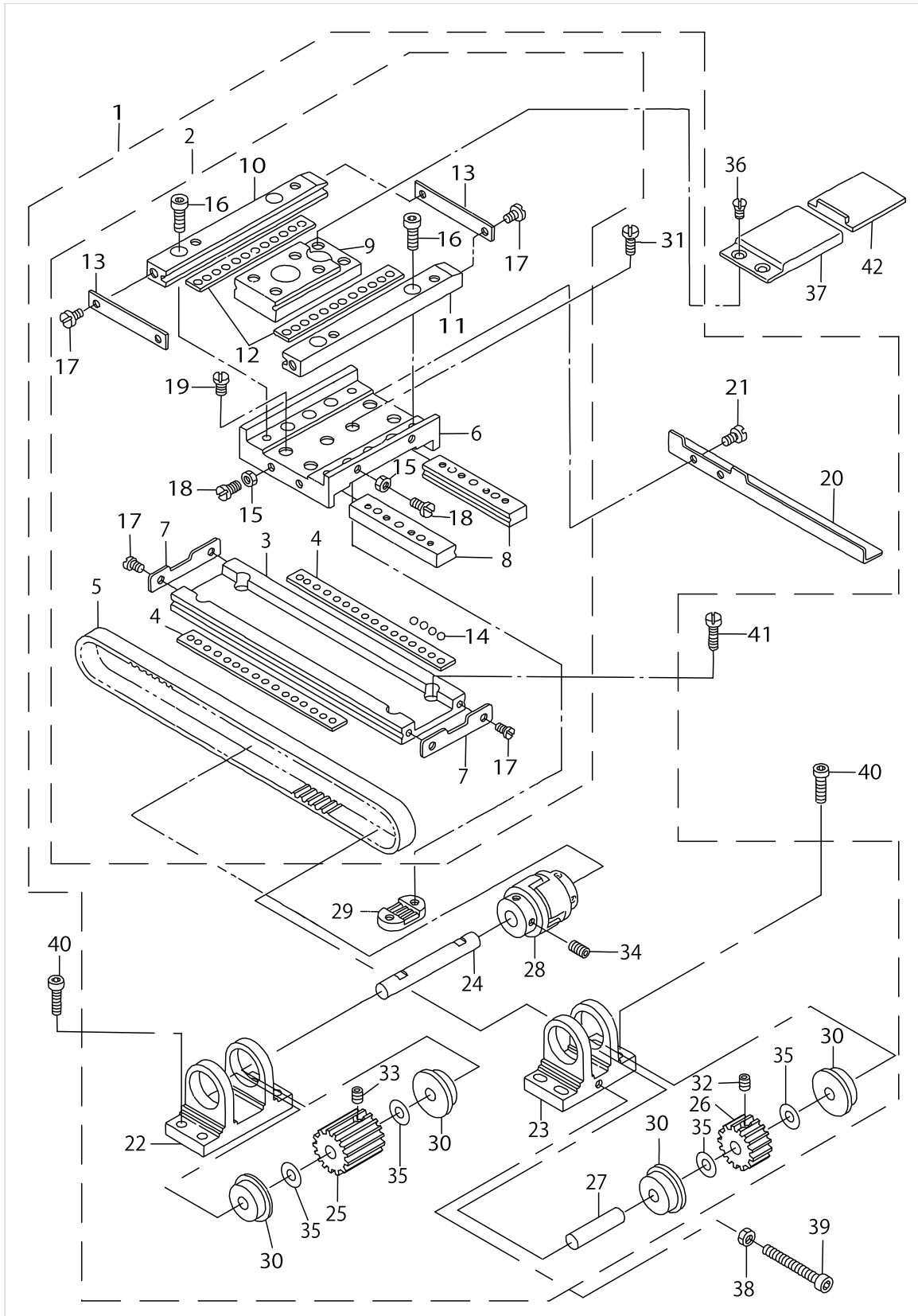
WIPER MECHANISM COMPONENTS



WIPER MECHANISM COMPONENTS

No.	Supply Code	Parts No.	Replacement	Parts name	Remarks	Choice	Step	Level	Cons	Qty	Rep. QTY
44	R	SS7111120SP	SS7111120TP	SCREW 11/64-40 L=10.5						2	1.00
45		WP0450801SD		WASHER 4.5X10X0.8						2	
46		B2302205000		PIN LARG						1	
47		B2313210000		PIN						1	

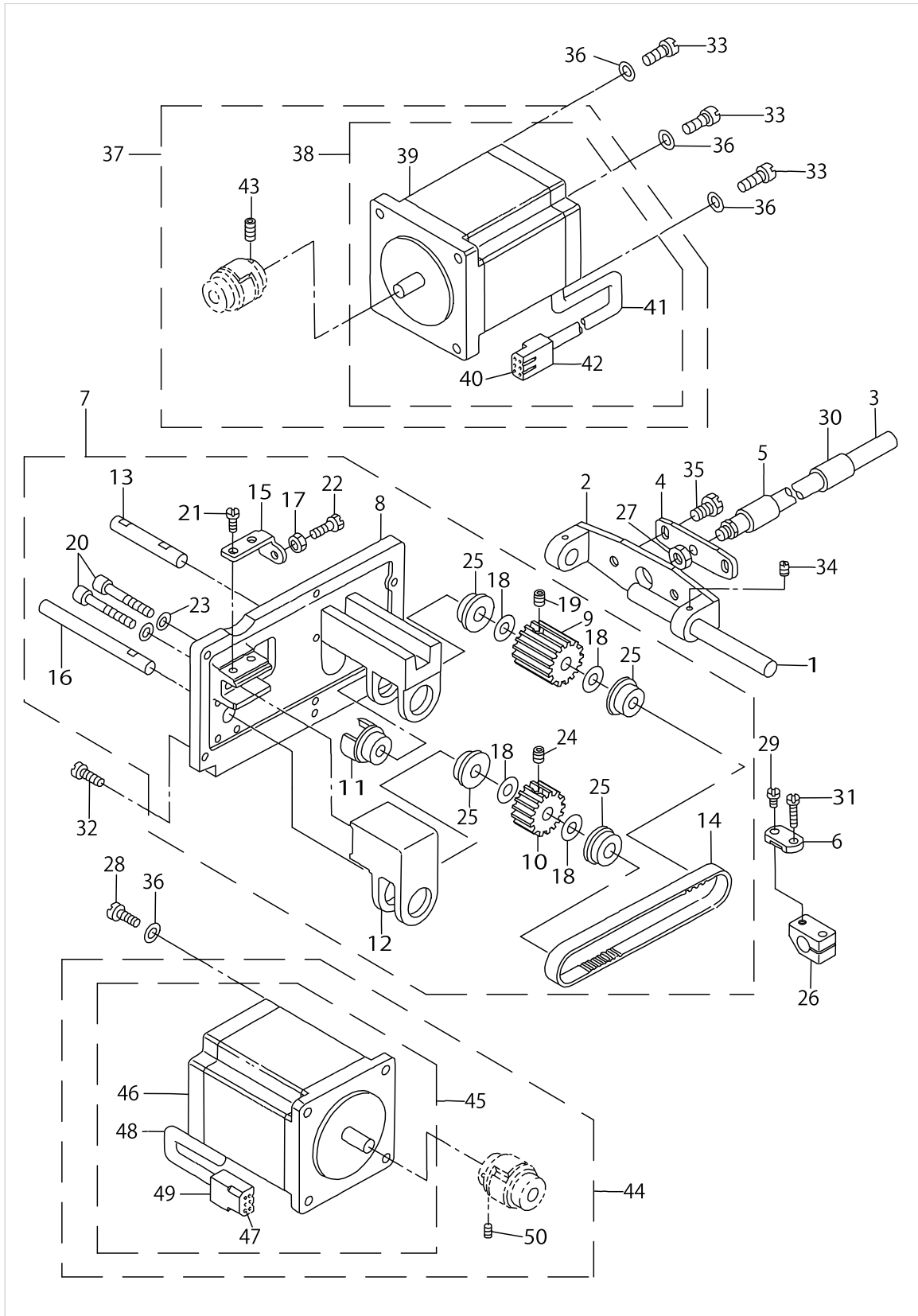
X-Y COMPONENTS (1)



X-Y COMPONENTS (1)

No.	Supply Code	Parts No.	Replacement	Parts name	Remarks	Choice	Step	Level	Cons	Qty	Rep. QTY
1		B2501205AB0A		X-Y TABLE ASM.						1	
2	D	B25012050A0A		TABLE ASM.				*		1	
3	D	B2501205000		X FIXED RACE				*		1	
4		B2521210000A		Y BALL GAUGE				*		2	
5	D	B2512205000		X TIMING BELT				*		1	
6		B2502205000		RACE TABLE				*		1	
7		B2507210000		X STOPPER				*		2	
8		B2503210000		X REMOVAL RACE				*		2	
9		B2503205000		Y REMOVAL RACE				*		1	
10	D	B2519205000		Y FIXED RACE A				*		1	
11	D	B2520205000		Y FIXED RACE B				*		1	
12		B2522205000		Y BALL GAUGE				*		2	
13		B2522210000		Y STOPPER				*		2	
14		B2527210000		BALL				*		48	
15		NS6110310SP		NUT 11/64-40				*		4	
16		SM6041402TP		SCREW M4 L=14				*		4	
17	R	SS6090620SP	SS6090620TP	SCREW 9/64-40 L=6				*		8	1.00
18		SS7110910TP		SCREW 11/64-40 L=8.5				*		4	
19		SS7110910TP		SCREW 11/64-40 L=8.5				*		4	
20	D	B4007205000		X SLIT PLATE				*		1	
21		SM6040552TP		SCREW M4 L=4.5				*		2	
22		B2504205000		XSHAFTBRACKET(A)				*		1	
23		B2505205000		XSHAFTBRACKET(B)				*		1	
24		B2506205A00A		X DRIVE SHAFT				*		1	
25		B2513205000		DRIVE SPROCKET				*		1	
26		B2514205000		VERTICAL SPROCKET				*		1	
27		B2515205000		X BRACKET SHAFT				*		1	
28		B2516205000A		COUPLING				*		1	
29		B2509210000		X BELT RECEIVER				*		1	
30		SB108000500		RADIAL BEARING				*		4	
31		SS6110610TP		SCREW 11/64-40 L=6				*		2	
32		SM8040602TP		SCREW M4X0.7 L=6				*		1	
33		SM8050802TP		SCREW M5X0.8 L=8				*		2	
34		SM8050802TP		SCREW M5X0.8 L=8				*		2	
35		WP0820526SD		WASHER 8.2X14X0.5				*		4	
36		SS1110840SP		SCREW 11/64-40 L=8				*		2	
37		B1124210000		Y FIXED COVER						1	
38		NM6050001SP		NUT M5						1	
39		SM4055001SF		SCREW M5 L=50						1	
40		SM6051602TP		SCREW M5X0.8 L=16						8	
41		SS6121210SP		SCREW 3/16-28 L=12						4	
42		B1123210000		Y DRIVE COVER						1	

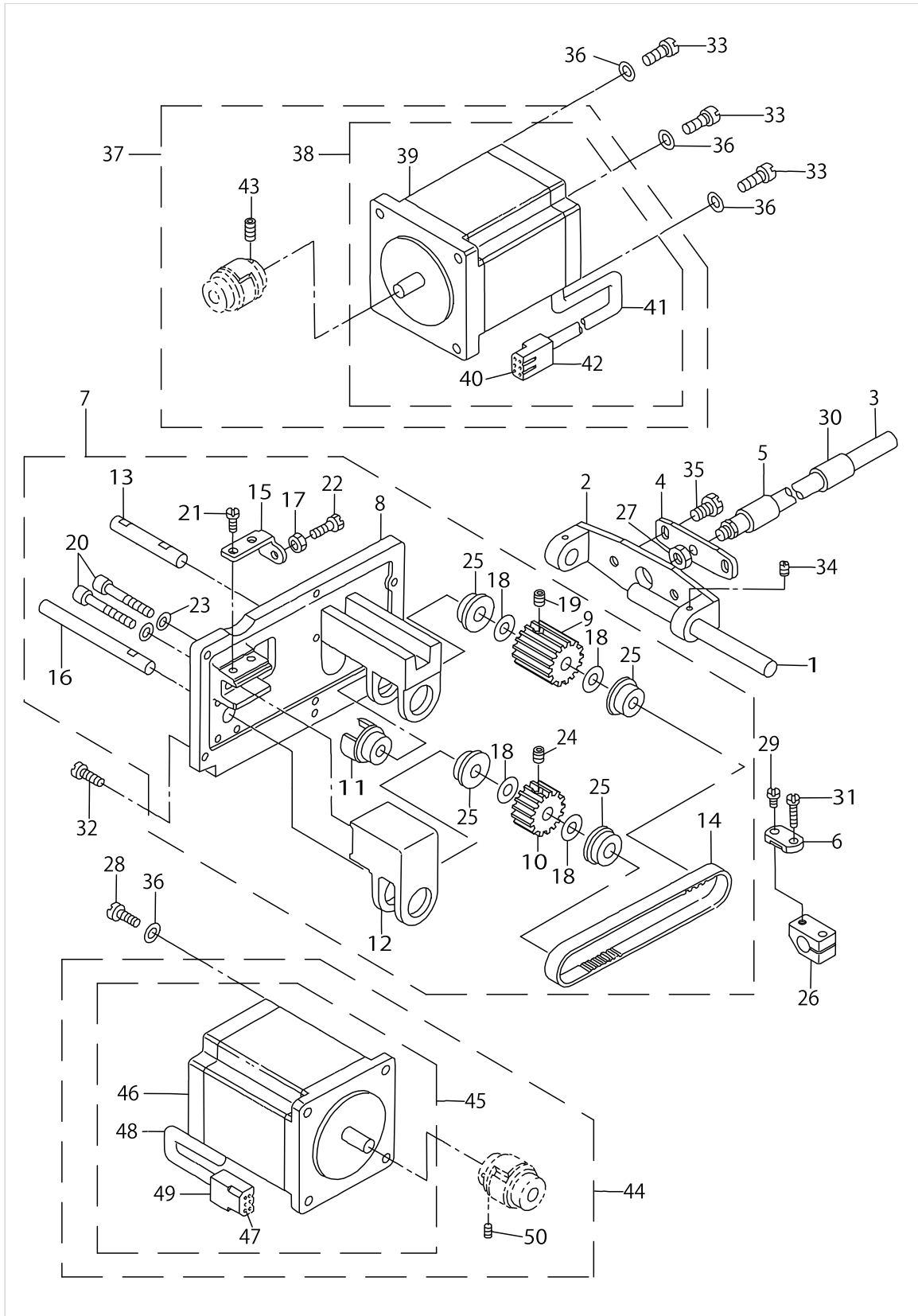
X-Y COMPONENTS (2)



X-Y COMPONENTS (2)

No.	Supply Code	Parts No.	Replacement	Parts name	Remarks	Choice	Step	Level	Cons	Qty	Rep. QTY
1		B2510205000A		X GUIDE SHAFT						1	
2		B2511205000		X GUIDE SHAFT BRACKET						1	
3		B2524205000A		Y REMOVAL SHAFT						1	
4		B2525205000		Y REMOVAL BRACKET						1	
5		B2509704000		BUSHING REAR						1	
6		B2526210000		Y BELT RECEIVER						1	
7		B2517205AA0A		Y MOTOR BASE ASM.						1	
8		B2517205000A		Y MOTOR BASE				*		1	
9		B2513205000		DRIVE SPROCKET				*		1	
10		B2514205000		VERTICAL SPROCKET				*		1	
11		B2516205000A		COUPLING				*		1	
12		B2518205000		Y SHAFT BRACKET				*		1	
13		B2523205000		Y DRIVE SHAFT				*		1	
14	D	B2528205000		Y TIMING BELT				*		1	
15	D	B2530210000		ADJUSTING PLATE				*		1	
16		B2533205000		Y BRACKET SHAFT				*		1	
17		NS6110420SP		NUT 11/64-40				*		1	
18		WP0820526SD		WASHER 8.2X14X0.5				*		4	
19		SM8050802TP		SCREW M5X0.8 L=8				*		2	
20		SM6054002TN		SCREW M5X0.8 L=40				*		2	
21	R	SS7110910SP	SS7110910TP	SCREW 11/64-40 L=8.5				*		2	1.00
22		SS9111510SP		SCREW 11/64-40 L=15				*		1	
23		WP0550800SP		WASHER 5.5X10X0.8				*		2	
24		SM8040602TP		SCREW M4X0.7 L=6				*		1	
25		SB108000500		RADIAL BEARING				*		4	
26		B2536205000		Y BELT BASE						1	
27		NS6150310SP		NUT 15/64-28						1	
28	R	SS7111410SP	SS7111410TP	SCREW 11/64-40 L=14						4	1.00
29		SS7110910TP		SCREW 11/64-40 L=8.5						1	
30		B2509704000		BUSHING REAR						1	
31		SS7111810TP		SCREW 11/64-40 L=18						1	
32		SS7121610SP		SCREW 3/16-28 L=15.5						6	
33		SS6121610SP		SCREW 3/16-28 L=15.5						3	
34		SS8110422TP		SCREW 11/64-40 L=4						2	
35		SS9150910SP		SCREW						2	
36	R	WP0480856SD	WP0480856SP	WASHER 4.8X8.4X0.8						7	1.00
37	D	B2529205AA0A		X FEED STEPPING MOTOR ASM.						1	
38	D	B2529205AB0		X STEPPING MOTOR (B) ASM.				*		1	
39	D R	B2529205A00	B2529205AB0	STEPPING MOTOR				*		1	1.00
40		HK003940010		PIN-SHAPE TERMINAL FEMALE				*		4	
41		E8760452M00		TUBE				*		0.1	
42	D	D8621761C0B		6P RECEPTACLE (BLUE)				*		1	
43		SM8050802TP		SCREW M5X0.8 L=8				*		2	
44	D	B2529205AAAA		Y FEED STEPPING MOTOR ASM.						1	
45		B2529205ABA		Y STEPPING MOTOR (B) ASM.				*		1	
46	D R	B2529205A00	B2529205AB0	STEPPING MOTOR				*		1	1.00

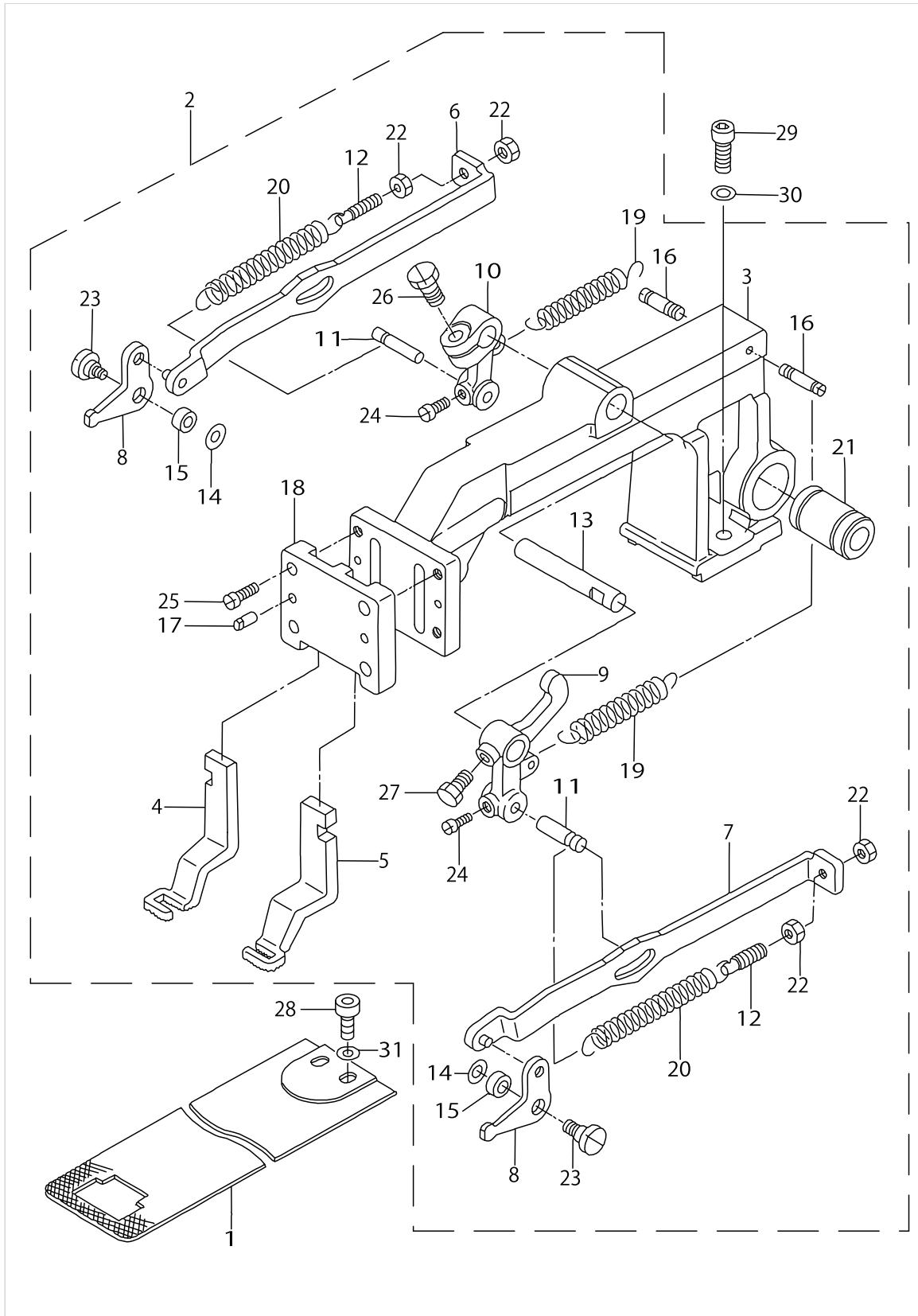
X-Y COMPONENTS (2)



X-Y COMPONENTS (2)

No.	Supply Code	Parts No.	Replacement	Parts name	Remarks	Choice	Step	Level	Cons	Qty	Rep. QTY
47		HK003940010		PIN-SHAPE TERMINAL FEMALE				*		4	
48		E8760452M00		TUBE				*		0.1	
49		HK018620060		6-POLE CONNECTOR				*		1	
50		SM8050802TP		SCREW M5X0.8 L=8				*		2	

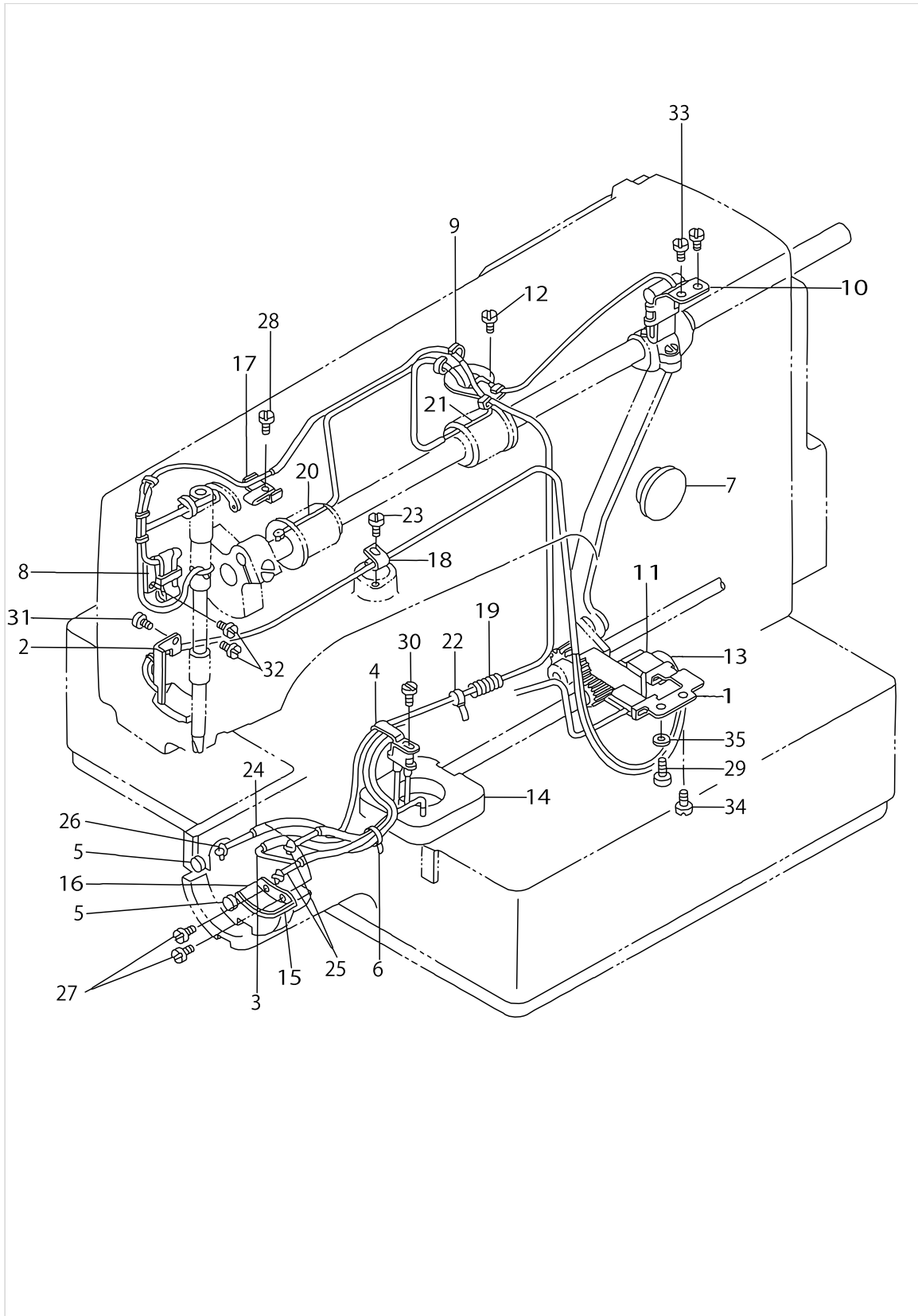
CLOTH FEED MECHANISM COMPONENTS



CLOTH FEED MECHANISM COMPONENTS

No.	Supply Code	Parts No.	Replacement	Parts name	Remarks	Choice	Step	Level	Cons	Qty	Rep. QTY
1	D	B2556205000		FEED PLATE						1	
2		B25502050A0A		FEED BRACKET ASM.						1	
3		B2550205000		FEED BRACKET				*		1	
4	D	B2551205000		WORK CLAMP FOOT RIGHT				*		1	
5		B2552205000		WORK CLAMP FOOT LEFT				*		1	
6	D	B25532050A0A		LIFTING LEVER ASM. RIGHT				*		1	
7	D	B25542050A0A		LIFTING LEVER ASM. LEFT				*		1	
8		B2555205000		WORK CLAMP FOOT HOOK RIGHT				*		2	
9	D	B2557205000		LIFTING LEVER				*		1	
10	D	B2558205000		LIFTING LEVER SMALL				*		1	
11		B2559205000		STUD				*		2	
12		B2561205000A		SPRING RACK SCREW				*		2	
13		B2562205000		LIFTING LEVER SHAFT				*		1	
14	D	B2563205000		WASHER				*		2	
15		B2544280000		WASHER				*		2	
16	R	B2036372000	26020701	NIPPER BAR BLOCK SPRING SCREW				*		2	1.00
17		B1816280000		GUIDE PIN				*		2	
18	D	B2547980000		WORK CLAMP FOOT FACE PLATE				*		1	
19		B2545280000		PRESSURE SPRING				*		2	
20	D	D9319762T00		TENSION SPRING				*		2	
21		SB710000200		SLIDE BEARING				*		1	
22		NS6110310SN		NUT 11/64-40				*		4	
23		SD0600452TP		HINGE SCREW D=6 H=4.5				*		2	
24		SS6110650TP		SCREW 11/64-40 L=5.5				*		2	
25	R	SS7120910SP	SS7120910TP	SCREW 3/16-28 L=9				*		4	1.00
26		SS9121340CP		SCREW 3/16-28 L=13				*		1	
27		SS9660940TP		SCREW 1/4-40 L=8.5				*		1	
28		SM6061002TP		SCREW M6 L=10						2	
29		SM6061802TP		SCREW M6 L=18						2	
30		WP0621016SD		WASHER 6.2X13X1						2	
31		WP0651001SC		WASHER						2	

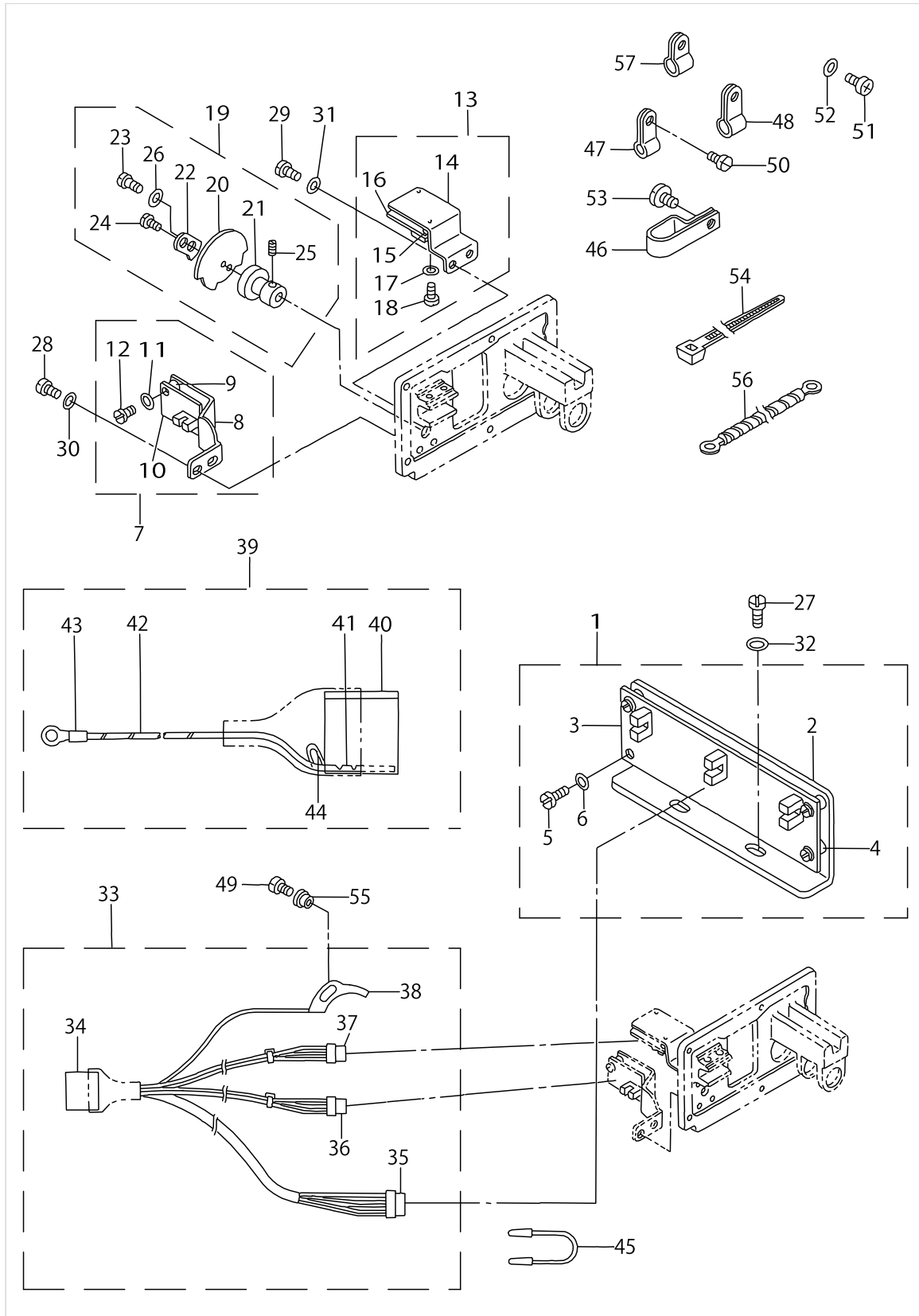
LUBRICATION COMPONENTS



LUBRICATION COMPONENTS

No.	Supply Code	Parts No.	Replacement	Parts name	Remarks	Choice	Step	Level	Cons	Qty	Rep. QTY
1		B35062050A0		OIL FELT SUPPORT- ING PLATE ASM.						1	
2		B35032050A0		FELT HOLDER ASM.						1	
3		B35222100A0		OIL FELT ASM.						1	
4	R	13528807	26229609	HOOK OIL WICK STOPPER A						1	1.00
5		13529607		SHUTTLE PACKING						2	
6		EA9500B0000		CLIP CV-70S						1	
7		B3501210000		OIL GAUGE						1	
8		B35022100A0		OIL WICK						1	
9	D	B3504210000		OIL WICK HOLDER						1	
10		B35052100A0		OIL FELT SUPPORT- ING PLATE ASM.						1	
11		B3507210000		OIL FELT						1	
12		SS9110543CP		SCREW 11/64-40 L=5.3						1	
13	D	B3518210000		OIL SPONGE						1	
14		B3502280000		LUBRICATING TANK FELT						1	
15		B3504280000		SHUTTLE FELT						1	
16	R	B3505280000	26231100	SHUTTLE LUBRICATING PLATE						1	1.00
17	R	B3508280000	26231407	BALANCE LUBRICATING PLATE						1	1.00
18	D	D1630555B00		CORD HOLDER						1	
19		B4110522000		SPRING						1	
20		B35132100A0		OIL WICK ASM.						1	
21	D	B35142100A0		OIL WICK ASM.						1	
22		EA9500B0000		CLIP CV-70S						1	
23		SS7110510SP		SCREW 11/64-40 L=5						1	
24		BP300000000		VINYL PIPE						1.1	
25		CQ202000000		OIL WICK						1.1	
26		CQ252200000		OIL WICK						.8	
27		SS6090440SP		SCREW 9/64-40 L=4.0						2	
28		SS6092120SP		SCREW 9/64-40 L=21.2						1	
29		SS6111140SP		SCREW 11/64-40 L=11						1	
30		SS4110715SP		SCREW 11/64-40 L=7						1	
31		SS7110710SP		SCREW 11/64-40 L=7						1	
32		SS7110710SP		SCREW 11/64-40 L=7						2	
33		SS7110710SP		SCREW 11/64-40 L=7						2	
34		SS7110710SP		SCREW 11/64-40 L=7						1	
35		WP0621016SD		WASHER 6.2X13X1						1	

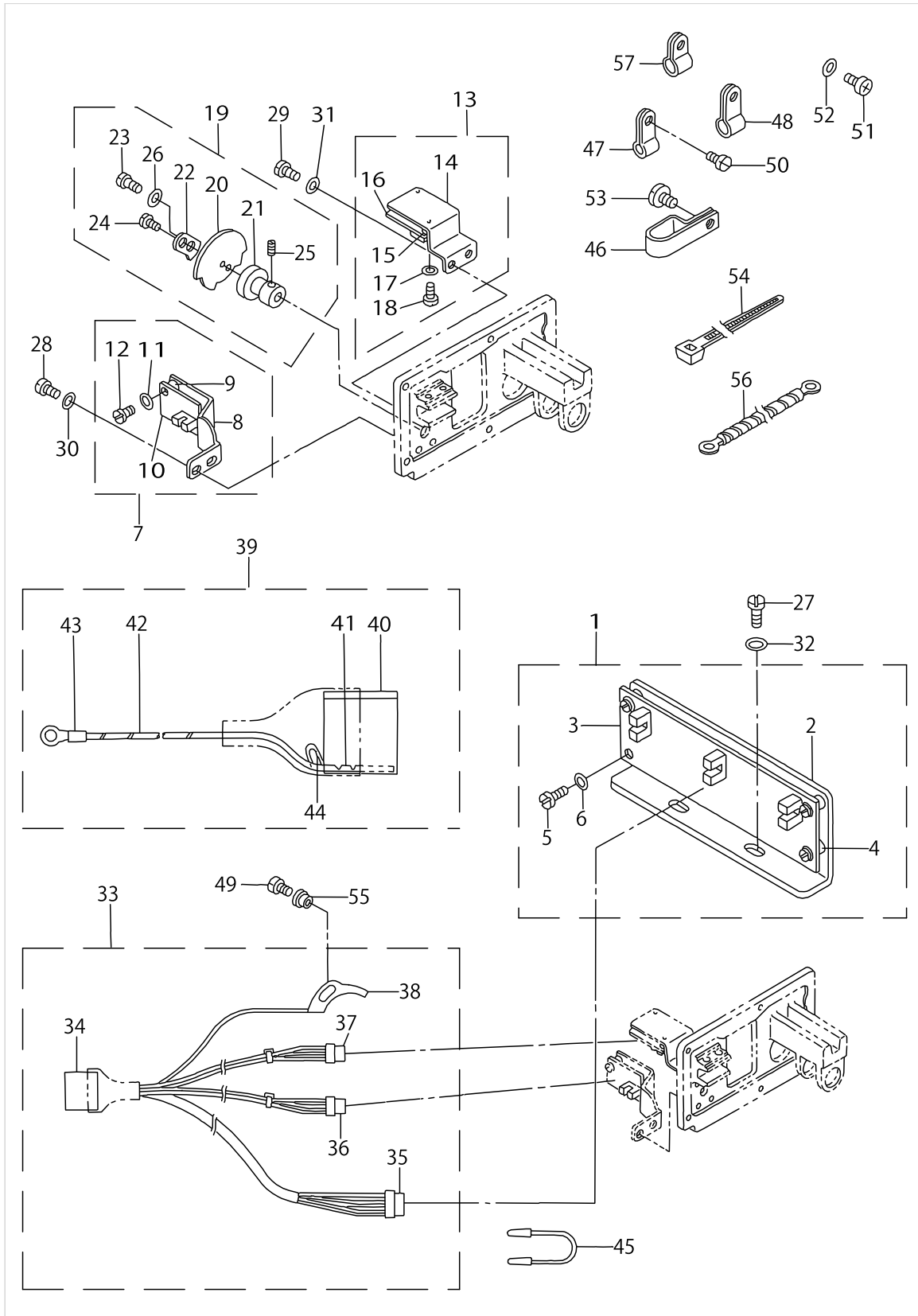
SENSOR COMPONENTS



SENSOR COMPONENTS

No.	Supply Code	Parts No.	Replacement	Parts name	Remarks	Choice	Step	Level	Cons	Qty	Rep. QTY
1	D	B40042050A0		Y SLIT PLATE ASM.						1	
2	D	B4004205000		X SENSOR INSTALLING PLATE				*		1	
3	D	M86045110A0		X SENSOR INSTALLING PLATE				*		1	
4		B4011210000		SPACER				*		4	
5		SM6031010SC		SCREW M3X0.5 L=10				*		4	
6		WP0330501SB		WASHER M3				*		4	
7	D	B40052100A0		Y HOME POSITION SENSOR ASM.						1	
8	D	B4005210000		Y HOME POSITION SENSOR PLATE				*		1	
9		B4011210000		SPACER				*		2	
10	R	M86065100A0	40037104	SENSOR CIRCUIT BOARD ASM. 2				*		1	1.00
11		WP0330501SB		WASHER M3				*		2	
12		SM6031010SC		SCREW M3X0.5 L=10				*		2	
13	D	B40062100A0		Y REMOVAL SENSOR ASM.						1	
14		B4006210000		Y REMOVAL SENSOR PLATE				*		1	
15		B4011210000		SPACER				*		2	
16	D	M86075100A0		SENSOR CIRCUIT BOARD ASM. 3				*		1	
17		WP0330501SB		WASHER M3				*		2	
18		SM6031010SC		SCREW M3X0.5 L=10				*		2	
19		B40082050A0		Y SLIT PLATE ASM.						1	
20	R	B4008205000	B40082050A0	Y SLIT PLATE				*		1	1.00
21		B4009210000		Y SLIT PLATE BOSS				*		1	
22		B4010210000		Y SLIT ADJUSTING PLATE				*		1	
23		SS7080520SP		SCREW 1/8-44 L=4.9				*		1	
24		SS7110510SP		SCREW 11/64-40 L=5				*		1	
25		SS8090670SP		SCREW 9/64-40 L=5.5				*		1	
26		WP0330501SB		WASHER M3				*		1	
27		SS7110840SP		SCREW 11/64-40 L=7.8						2	
28		SS7110840SP		SCREW 11/64-40 L=7.8						2	
29		SS7110840SP		SCREW 11/64-40 L=7.8						2	
30		WP0450801SD		WASHER 4.5X10X0.8						2	
31		WP0450801SD		WASHER 4.5X10X0.8						2	
32		WP0450801SD		WASHER 4.5X10X0.8						2	
33	D	B41302050A0		SENSOR CORD ASM.						1	
34	D	HK012600150		NYLON PLUG 15P				*		1	
35		B41352050A0		XSENSORCORDASM.				*		1	
36	R	B41402050A0	B41302050A0	SENSOR CORD ASM.				*		1	1.00
37	R	B41602050A0	B41302050A0	YSENSORCORDASM.				*		1	1.00
38	D	B41502050A0		SENSOR PLATE ASM.				*		1	
39	D	B41702050A0		FRAME SOLENOID CONNECTOR ASM.						1	
40	D	HK017420150		15-POLE CONNECTOR				*		1	
41		D6042555B00		PIN TERMINAL FEMALE				*		3	
42		HW100320540		SPIRAL WIRE				*		0.2	
43		HP001600100		SOLDERLESS TERMINAL				*		1	
44		HW100470660		VINYL ELECTRIC WIRE				*		0.1	
45	D	B41802050A0		STOPPERCORDASM.						1	

SENSOR COMPONENTS



SENSOR COMPONENTS

No.	Supply Code	Parts No.	Replacement	Parts name	Remarks	Choice	Step	Level	Cons	Qty	Rep. QTY
46		D2112555B00		CORD HOLDER LARGE						1	
47		HX00123000B		CABLE CLIP						1	
48		HX00123000A		CABLE CLIP						4	
49		SS7090850SP		SCREW 9/64-40 L=8						1	
50		SS4110715SP		SCREW 11/64-40 L=7						4	
51		SM4030855SN		SCREW M3 L=8.0						1	
52		WP0330501SB		WASHER M3						1	
53		SS7150740SP		SCREW 15/64-28 L=7						1	
54		EA9502B0500		CABLE CLIP						1	
55		B2703210000		BUSHING						1	
56	D	B11242050A0		EARTH CORD ASM.						1	
57		D2611555B00A		CABLE HOLDER						2	

TABLE COMPONENTS

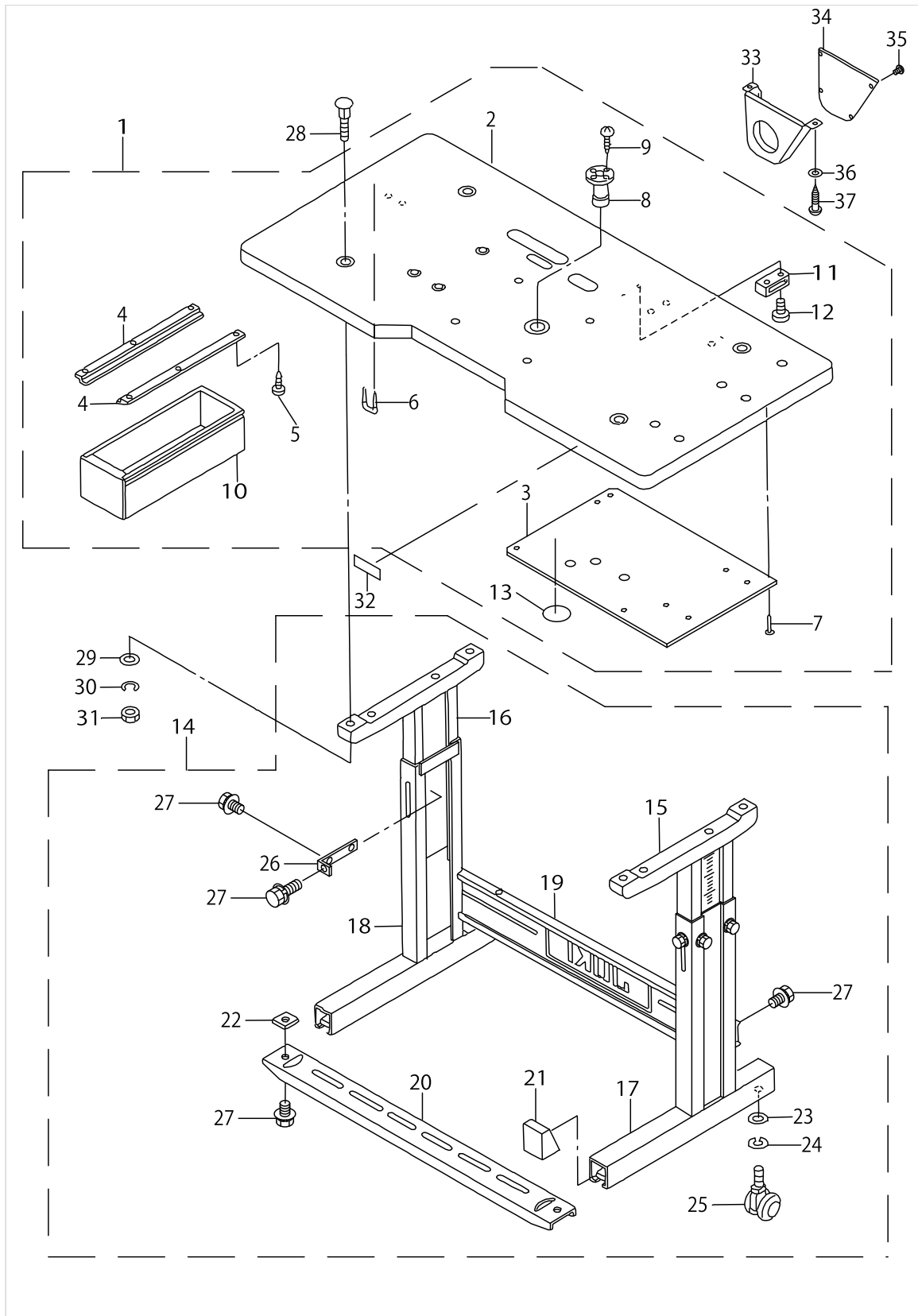
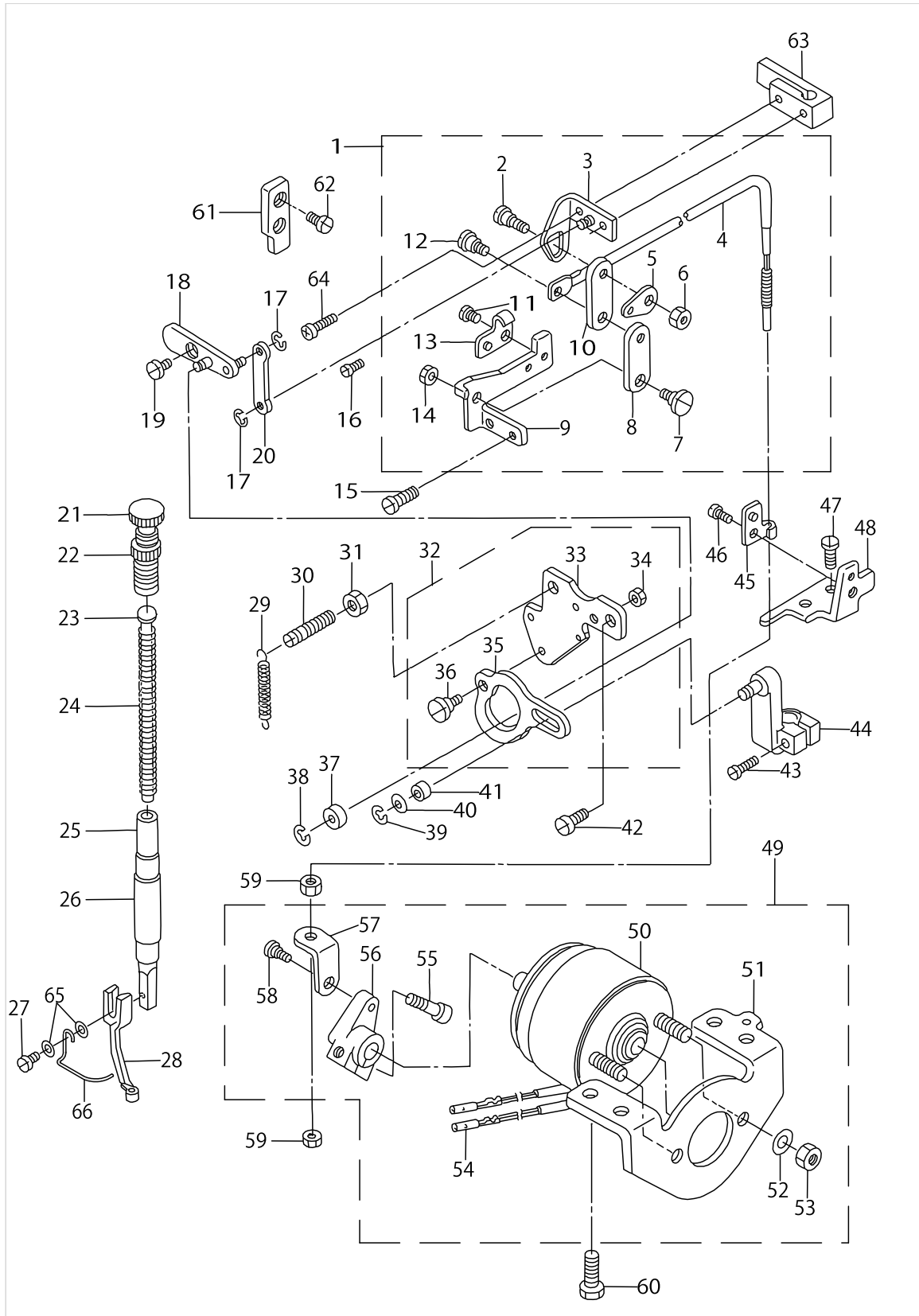


TABLE COMPONENTS

No.	Supply Code	Parts No.	Replacement	Parts name	Remarks	Choice	Step	Level	Cons	Qty	Rep. QTY
1		B82012050AAA		TABLE ASM.	FOR WITH STANDUNIT					1	
2	D	B820120500AA		TABLE	FOR WITH STANDUNIT			*		1	
3		B8203205000A		TABLE EARTH PLATE				*		1	
4		11155207		DRAWER SUPPORT	FOR WITH STANDUNIT			*		2	
5	R	SK3311600SC	SK3311601SE	WOOD SCREW D=3.1 L=16	FOR WITH STANDUNIT			*		6	1.00
6		D8204555D00		DRAWER STOPPER				*		1	
7		B8210012000		CUSHION SET NAIL	FOR WITH STANDUNIT			*		2	
8		B8202205000		OIL MANAGEMENT				*		1	
9	R	SK3311600SC	SK3311601SE	WOOD SCREW D=3.1 L=16				*		2	1.00
10	R	11155108	11155157	DRAWER	FOR WITH STANDUNIT			*		1	1.00
11		M964051000A		CABLE CLIP				*		2	
12		SK3382001SE		SCREW D=3.8 L=20				*		4	
13		E9567319000		EARTH MARK				*		1	
14		B81012050AAA		T STAND ASM.	FOR WITH STANDUNIT					1	
15		11157666		UPPER STAND ASM. RIGHT				*		1	
16		11157765		UPPER STAND ASM. LEFT				*		1	
17		11157963		LOWER LEG RIGHT				*		1	
18		11158060		LOWER LEG LEFT				*		1	
19	D	11158300		STAND SIDE SUPPORT				*		1	
20		11158409		STAND SIDE SUPPORT				*		1	
21		11158607		RUBBER CAP				*		4	
22		17007402		NUT				*		2	
23		WP1302501SE		WASHER M12				*		4	
24		WS1253010KN		SPRING WASHER 12.5X21.5X3				*		4	
25		B8150210000		CASTER				*		4	
26		11158516		UPPERSTANDPLATE				*		2	
27		SL9082093SE		SCREW				*		12	
28		MAO11108N00		PEDAL SWITCH FRAME BOLT	FOR WITH STANDUNIT					4	
29		WP0641601SC		WASHER	FOR WITH STANDUNIT					4	
30		WS0610002KN		SPRING WASHER 6.1X12.2X1.5	FOR WITH STANDUNIT					4	
31		NM6060001SC		NUT M6	FOR WITH STANDUNIT					4	
32		CM500100001		CE MARKING LABEL	FOR JE					1	
33		B821021000B		MOTOR PULLEY COVER (A)	EXCEPT D-OMESTIC USE					1	
34		B821121000B		MOTOR PULLEY COVER (B)	EXCEPT D-OMESTIC USE					1	
35		SL4040691SC		SCREW M4 L=6	EXCEPT D-OMESTIC USE					6	
36		WP0561616SC		WASHER 5.6X16X1.6	EXCEPT D-OMESTIC USE					2	
37	R	SK3552500SC	SK3552501SE	WOOD SCREW D=5.5 L=25	EXCEPT D-OMESTIC USE					2	1.00

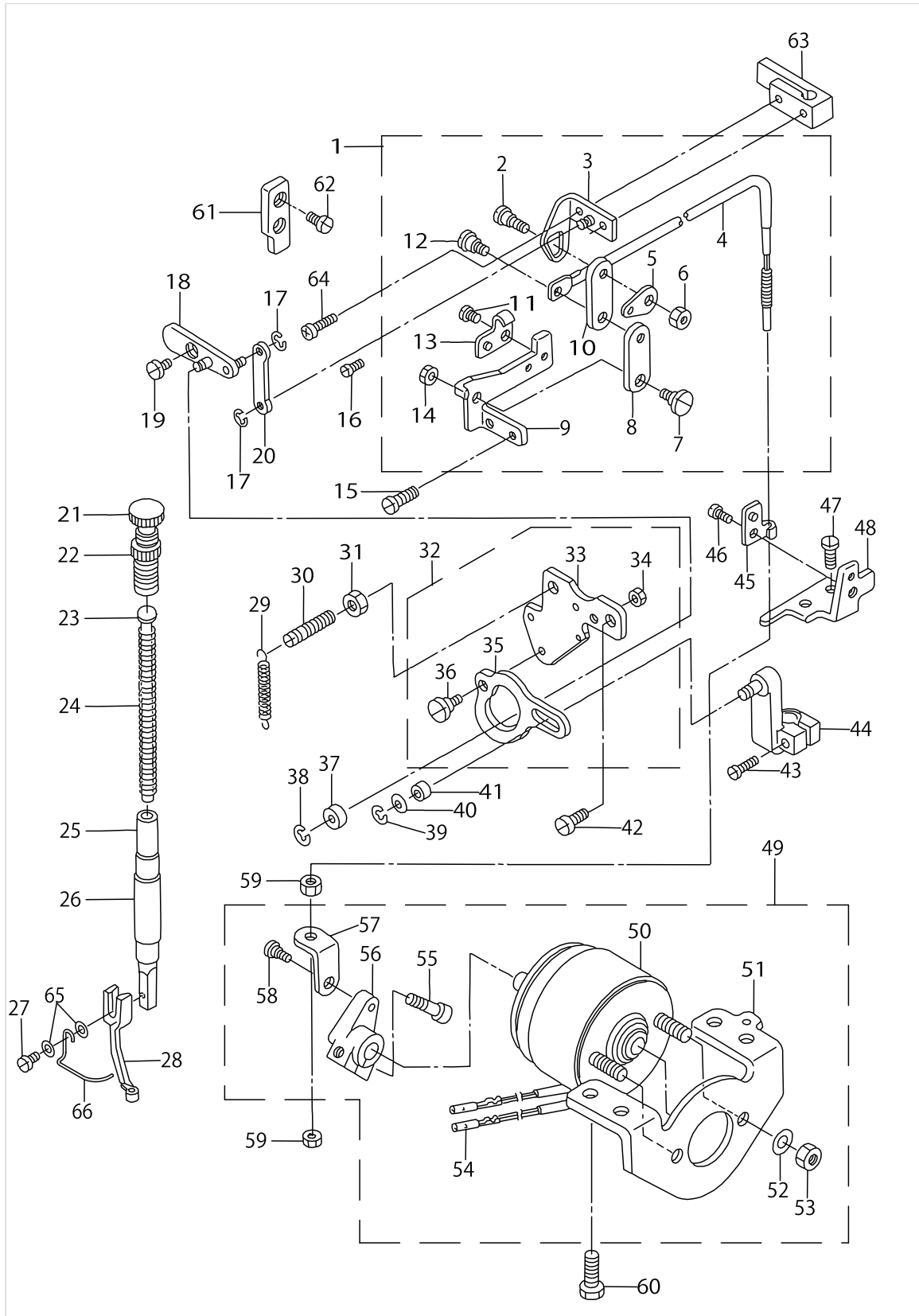
AMS-206C EXCLUSIVE PARTS (PRESSER MECHANISM COMPONENTS)



AMS-206C EXCLUSIVE PARTS (PRESSER MECHANISM COMPONENTS)

No.	Supply Code	Parts No.	Replacement	Parts name	Remarks	Choice	Step	Level	Cons	Qty	Rep. QTY
1		B16152060B0		SUSPENSION LINK ASM.						1	
2		SD0600361SP		HINGE SCREW D=6 H=3.6				*		1	
3		B16152060A0		LINK GUIDE BRACKET ASM.				*		1	
4	D	B16192100A0A		WIRE ASM.				*		1	
5	D	B1617210000		SPRING SUSPENSION B				*		1	
6		NS6120310SP		NUT 3/16-28				*		1	
7		SD0600321SP		HINGE SCREW D=6 H=3.2				*		1	
8		B1616210000		SUSPENSION LINK				*		1	
9	D	B1618206000		CONNECTING LINK PLATE				*		1	
10		B1616206000		SUSPENSION LINK				*		1	
11		SS7110710SP		SCREW 11/64-40 L=7				*		1	
12		SD0600411TP		HINGE SCREW H=6 W=4.1				*		1	
13		B1622210A00		WIRE PRESSER CLAMP				*		1	
14		NS6120310SP		NUT 3/16-28				*		1	
15		SS7110910TP		SCREW 11/64-40 L=8.5						2	
16		SS7090920SP		SCREW 9/64-40 L=8.5						1	
17		RE0320000K0		E-RING 3.2						2	
18		B16032100A0		PRESSER FOLLOW ARM ASM.						1	
19		SD0640191TP		HINGE SCREW H=6.35 W=1.9						1	
20	D	B1607210000		INTERMEDIATE PRESSER ROD						1	
21	R	11071602	22907554	PRESSER SPRING REGULATOR						1	1.00
22	R	11071701	22907554	NUT						1	1.00
23	R	B1510227000	22907703	PRESSER GUIDE BAR						1	1.00
24	D	B1611210000		SPRING						1	
25	R	B1501127000	40017805	PRESSER BAR						1	1.00
26	R	B1502541000	22907109	PRESSER BAR BUSHING LOWER						1	1.00
27	R	SS7091110SP	SS7091110TP	SCREW 9/64-40 L=10.5						1	1.00
28		B1601206000		INTERMEDIATE PRESSER. A						1	
29		B1626210000		SPRING						1	
30		B1612206000		SUSPENSION SCREW						1	
31		NS6150430SP		NUT 15/64-28						1	
32		B16092100A0A		CAM ASM.						1	
33		B1610210000A		CAM INSTALLING BASE				*		1	
34		NS6120310SP		NUT 3/16-28				*		1	
35	D	B1609210000		CAM				*		1	
36		SD0640391TP		HINGE SCREW D=6.35 H=3.9				*		1	
37		B1606210000		ROLLER						1	
38		RE0400000K0		E-RING 4						1	
39		RE0320000K0		E-RING 3.2						1	
40		WP0451026SH		WASHER						1	
41		B1633210000		ROLLER						1	
42		SS7150940SP		SCREW 15/64-28 L=9						1	
43		SS7091410SP		SCREW 9/64-40 L=13.5						1	
44		B16022060A0		PRESSER DRIVE ARM ASM.						1	
45		B1622210A00		WIRE PRESSER CLAMP						1	
46		SS7110710SP		SCREW 11/64-40 L=7						1	

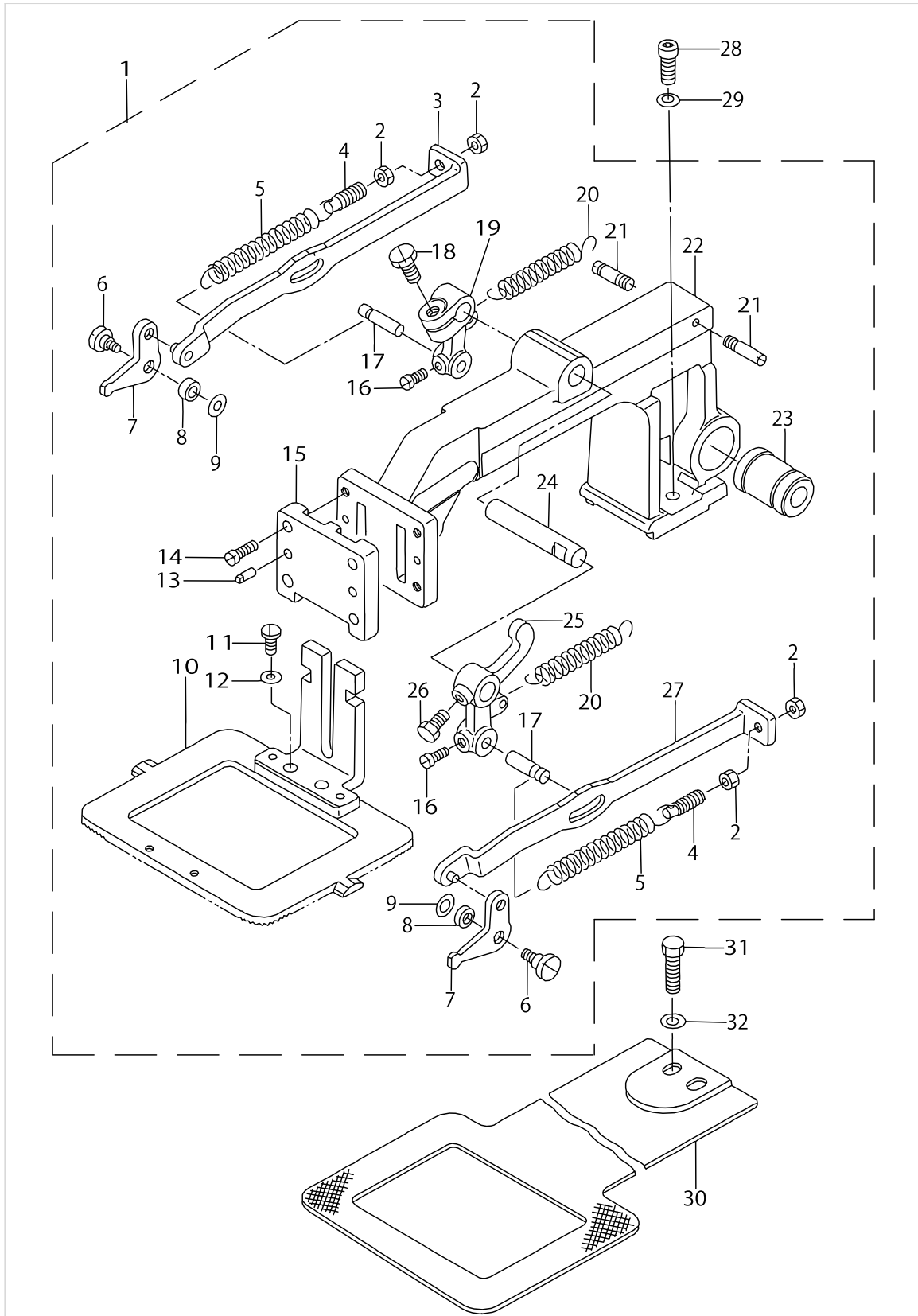
AMS-206C EXCLUSIVE PARTS (PRESSER MECHANISM COMPONENTS)



AMS-206C EXCLUSIVE PARTS (PRESSER MECHANISM COMPONENTS)

No.	Supply Code	Parts No.	Replacement	Parts name	Remarks	Choice	Step	Level	Cons	Qty	Rep. QTY
47		SS7110910TP		SCREW 11/64-40 L=8.5						2	
48		B1627210000		WIRE SUPPORT BRACKET						1	
49		B16282100AB		SOLENOID ASM. A						1	
50		B162821000B		SOLENOID				*		1	
51		B1631210000		SOLENOID INSTALLING BRACKET				*		1	
52		WP0650876SD		WASHER 6.5X13X0.8				*		2	
53		NM6060003SC		NUT M6				*		2	
54		D6042555B00		PIN TERMINAL FEMALE				*		2	
55		SS6151812TP		SCREW 15/64-28 L=18				*		1	
56		B1629210000		SOLENOID ARM				*		1	
57		B1630210000		SOLENOID ARM PLATE				*		1	
58		SD0640323TP		HINGE SCREW D=6.35 H=3.2				*		1	
59		NS6620310SP		NUT 3/16-32						2	
60		SS9151160CP		SCREW 15/64-28 L=10.5						2	
61		B1625206000		GUIDE PLATE						1	
62		SS7110710SP		SCREW 11/64-40 L=7						2	
63		B1507552000		PRESSER BAR GUIDE BRACKET						1	
64		SS7111410TP		SCREW 11/64-40 L=14						1	
65		WP0430800SC		WASHER M4						2	
66		B1634210000		FINGER GUARD						1	

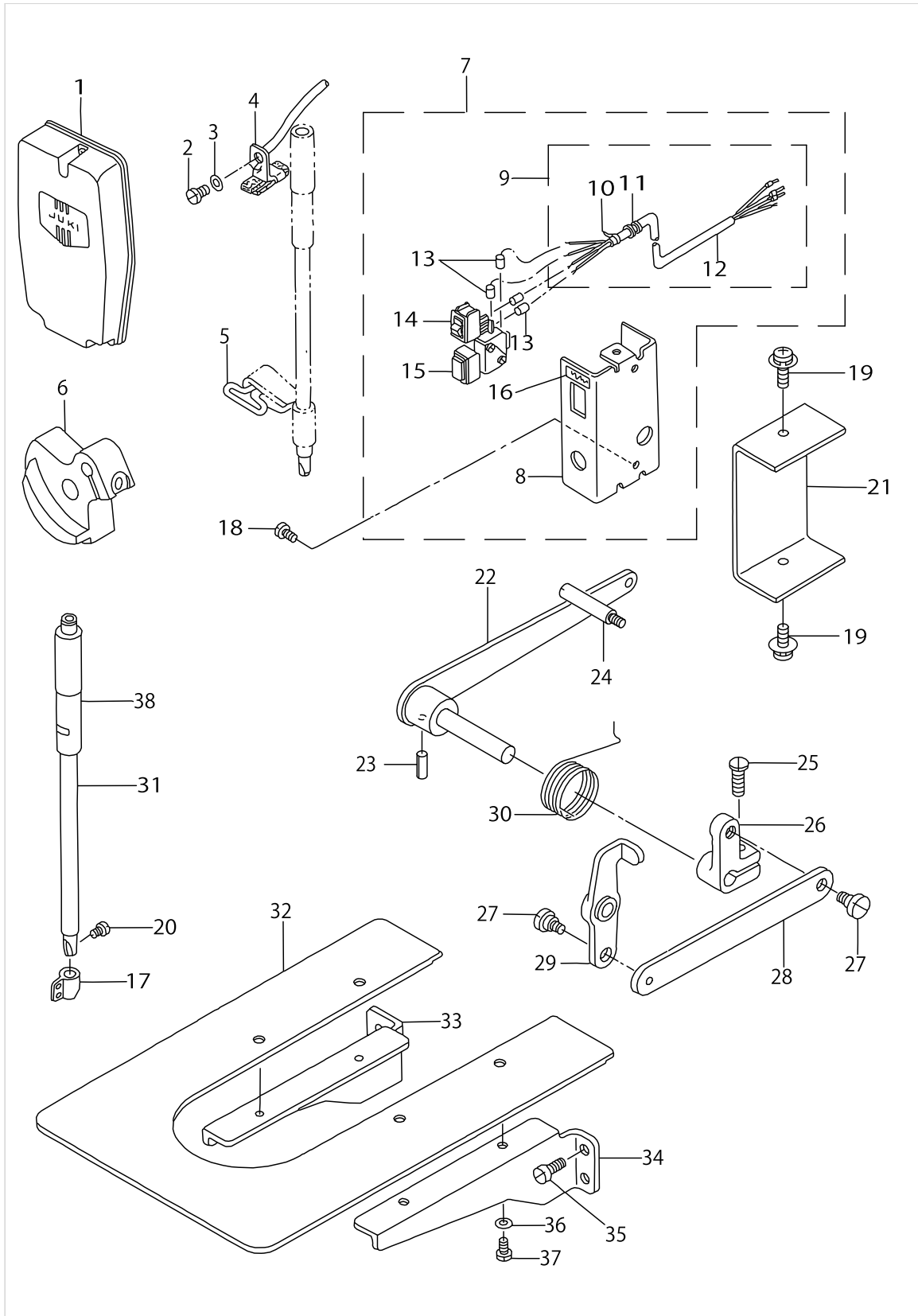
AMS-206C EXCLUSIVE PARTS (CLOTH FEED MECHANISM COMPONENTS)



AMS-206C EXCLUSIVE PARTS (CLOTH FEED MECHANISM COMPONENTS)

No.	Supply Code	Parts No.	Replacement	Parts name	Remarks	Choice	Step	Level	Cons	Qty	Rep. QTY
1		B25502060A0A		FEED BRACKET						1	
2		NS6110310SN		NUT 11/64-40				*		4	
3	D	B25532050A0A		LIFTING LEVER ASM. RIGHT				*		1	
4		B2561205000A		SPRING RACK SCREW				*		2	
5	D	D9319762T00		TENSION SPRING				*		2	
6		SD0600452TP		HINGE SCREW D=6 H=4.5				*		2	
7		B2555205000		WORK CLAMP FOOT HOOK RIGHT				*		2	
8		B2544280000		WASHER FOR WORK CLAMP FOOT HO				*		2	
9	D	B2563205000		WASHER				*		2	
10	D	B25512060AA		FEEDINGFRAMEASM.				*		1	
11		SS7110840SP		SCREW 11/64-40 L=7.8				*		2	
12		WP0480856SP		WASHER 4.8X8.4X0.8				*		2	
13		B1816280000		GUIDE PIN				*		2	
14	R	SS7120910SP	SS7120910TP	SCREW 3/16-28 L=9				*		4	1.00
15	D	B2547980000		WORK CLAMP FOOT FACE PLATE				*		1	
16		SS6110650TP		SCREW 11/64-40 L=5.5				*		2	
17		B2559205000		STUD				*		2	
18		SS9121340CP		SCREW 3/16-28 L=13				*		1	
19	D	B2558205000		LIFTING LEVER SMALL				*		1	
20		B2545280000		PRESSURE SPRING				*		2	
21	R	B2036372000	26020701	NIPPER BAR BLOCK SPRING SCREW				*		2	1.00
22		B2550205000		FEED BRACKET				*		1	
23		SB710000200		SLIDE BEARING				*		1	
24		B2562205000		LIFTING LEVER SHAFT				*		1	
25	D	B2557205000		LIFTING LEVER				*		1	
26		SS9660940TP		SCREW 1/4-40 L=8.5				*		1	
27	D	B25542050A0A		LIFTING LEVER ASM. LEFT				*		1	
28		SM6061802TP		SCREW M6 L=18						2	
29		WP0621016SD		WASHER 6.2X13X1						2	
30	D	B2556206000		FEED PLATE						1	
31		SM6061002TP		SCREW M6 L=10						2	
32		WP0651001SC		WASHER						2	

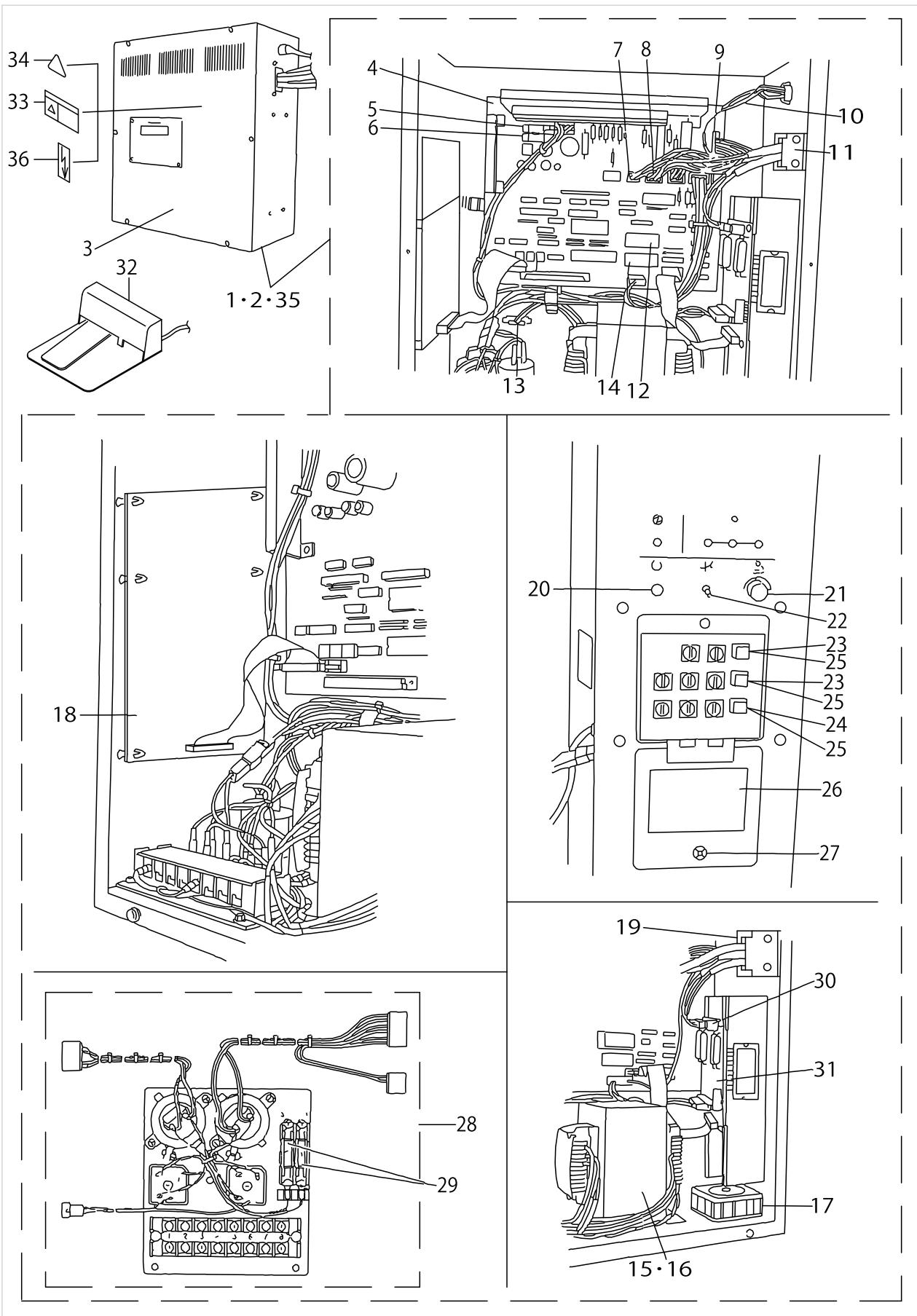
AMS-206C EXCLUSIVE PARTS



AMS-206C EXCLUSIVE PARTS

No.	Supply Code	Parts No.	Replacement	Parts name	Remarks	Choice	Step	Level	Cons	Qty	Rep. QTY
1		B11052100AA		FACE PLATE ASM.						1	
2	R	SS7090520SP	SS7090520TP	SCREW 9/64-40 L=4.5						1	1.00
3		WP0371016SD		WASHER 3.7X8X1						1	
4		B35202100A0		OIL FELT SUPPORT- ING PLATE ASM.						1	
5	R	B3516210000	CQ202000000	OIL WICK						1	1.00
6	D	B1206210000		COUNTERWEIGHT						1	
7		B4110206AAA		FRAME SWITCH BASE ASM.						1	
8	D	B4110210000		FRAME SWITCH BASE				*		1	
9	D	B41152060A0		SWITCH CORD ASM.				*		1	
10		EA9500B0100		CABLE BAND				*		1	
11		D6042555B00		PIN TERMINAL FEMALE				*		4	
12		E8760452H00		TUBE				*		0.4	
13		E8760452F00		TUBE				*		0.1	
14		HA000590000		POWER SWITCH				*		1	
15		HA001350000		PUSH-BUTTON SWITCH				*		1	
16		B113321000F		OPERATION PANEL				*		1	
17		B1405210000		THREAD GUIDE A						1	
18		SS7110710SP		SCREW 11/64-40 L=7						2	
19		SL4040891SC		SCREW M4 L=8						2	
20		SS7080510TP		SCREW 1/8-44 L=4.5						1	
21	D	B1128210000		COVER						1	
22		B17032060A0A		LOWERING ARM ASM. A						1	
23		PS0300132KH		SPRING PIN 3X13						1	
24	R	11392107	22924005	OIL PUMP SUPPORT						1	1.00
25		SS6121610TP		SCREW 3/16-28 L=15.5						1	
26		B1704210000		LOWERING ARM B						1	
27		SD0720332SP		HINGE SCREW D=7.24 H=3.3						2	
28	D	B1702210000		LOWERING ROD						1	
29		B17052100A0		PRESSERARM ASM. C						1	
30		B1707206000		SPRING						1	
31		B1401210000		NEEDLE BAR						1	
32		B1112206000		NEEDLE PLATE AUXILARY COVER						1	
33		B1113206000		RIGHT COVER						1	
34	D	B1120206000		LEFT COVER						1	
35		SS6120940SP		SCREW 3/16-28 L=9						4	
36		WP0450000SD		WASHER 4.5X8X0.5						4	
37		SS6110610TP		SCREW 11/64-40 L=6						4	
38		B1402210000		BUSHING UPPER						1	

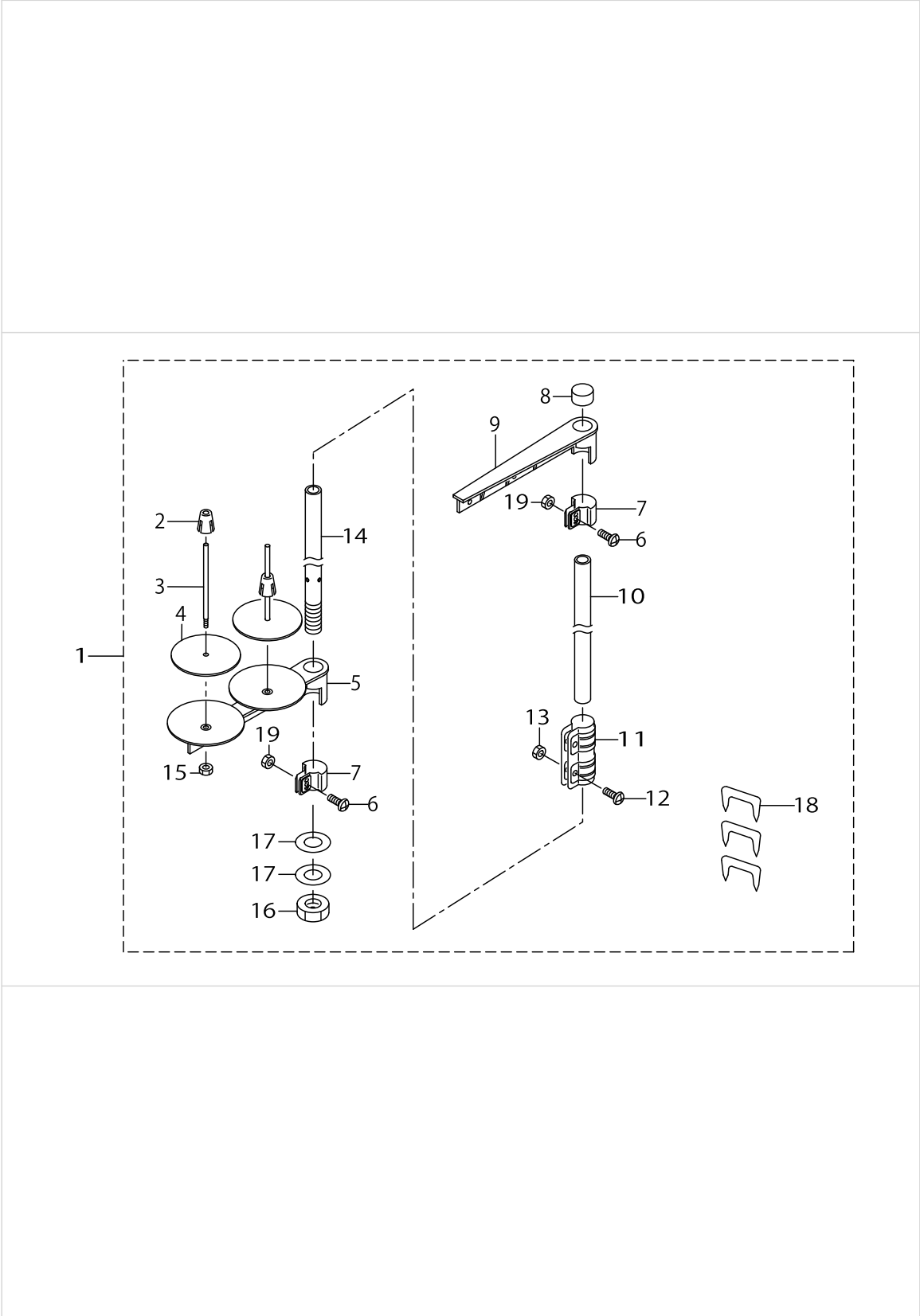
CONTROL BOX COMPONENTS



CONTROL BOX COMPONENTS

No.	Supply Code	Parts No.	Replacement	Parts name	Remarks	Choice	Step	Level	Cons	Qty	Rep. QTY
1		M8510519AA0A		CONTROL BOX ASM.	FOR DOME-STIC USE					1	
2	D	M8510519BA0A		CONTROL BOX ASM.	FOR EXPORT					1	
3	D	M10025110AA		CONTROL BOX COVER ASM.				*		1	
4	D	M8601519AA0A		MAIN CIRCUIT BOARD (A) ASM.				*		1	
5		E9672452000		FUSE 3A				*		1	
6		E9611601000		FUSE 1A				*		1	
7		M85285110A0		SOLENOID CORD ASM.				*		1	
8	D	M85225110A0		CLUTCH BRAKE CORD ASM.				*		1	
9		M85295110A0		SENSOR CORD ASM.				*		1	
10	D	M85235110A0		SYNCHRONIZER CORD ASM.				*		1	
11		17845009		CORD FITTING PLATE				*		1	
12		HL010620003		IC				*		1	
13	D	M85245110A0		PEDAL SWITCH CORD ASM.				*		1	
14	D	HL008730056		IC				*		1	
15		M8532519AA0		POWER TRANSFORMER (A) ASM.	FOR 100V~240V			*		1	
16		M8532519BA0		POWER TRANSFORMER (B) ASM.	FOR 220V~440V			*		1	
17	D	M85335110A0		FAN ASM.				*		1	
18	D	M86035190A0A		P.C BOARD ASM.				*		1	
19		HX004070000		BUSH				*		1	
20		HA002470010		SWITCH BUTTON.GREEN				*		1	
21		HX001870000		KNOB				*		1	
22		HA001230010		COLOR CAP				*		1	
23		HA00227002A		SWITCH CAP				*		2	
24		HA002270020		SWITCH CAP				*		1	
25		HA002270010		SWITCH BASE				*		3	
26	D	M3007511000		LABEL				*		1	
27		M8808301000		NYLATCH				*		1	
28	D	M85195110A0		POWER PLATE ASM.				*		1	
29		HF001400700		TIME LAG FUSE 7A				*		2	
30	D	M85305110A0		PULSE MOTOR CORD ASM.				*		1	
31	D	M8602511AA0		PMDC CIRCUIT BOARD ASM.				*		1	
32		GPK570010B0		PEDAL SWITCH ASM.						1	
33		CM300100101		DANGER LABEL (SMALL)	FOR DOME-STIC USE					1	
34		CM300100001		LABEL	FOR EXPORT					1	
35		M8510519CA0A		CONTROL BOX ASM.	FOR JE					1	
36		G6705152U0A		LABEL	FOR EXPORT					1	

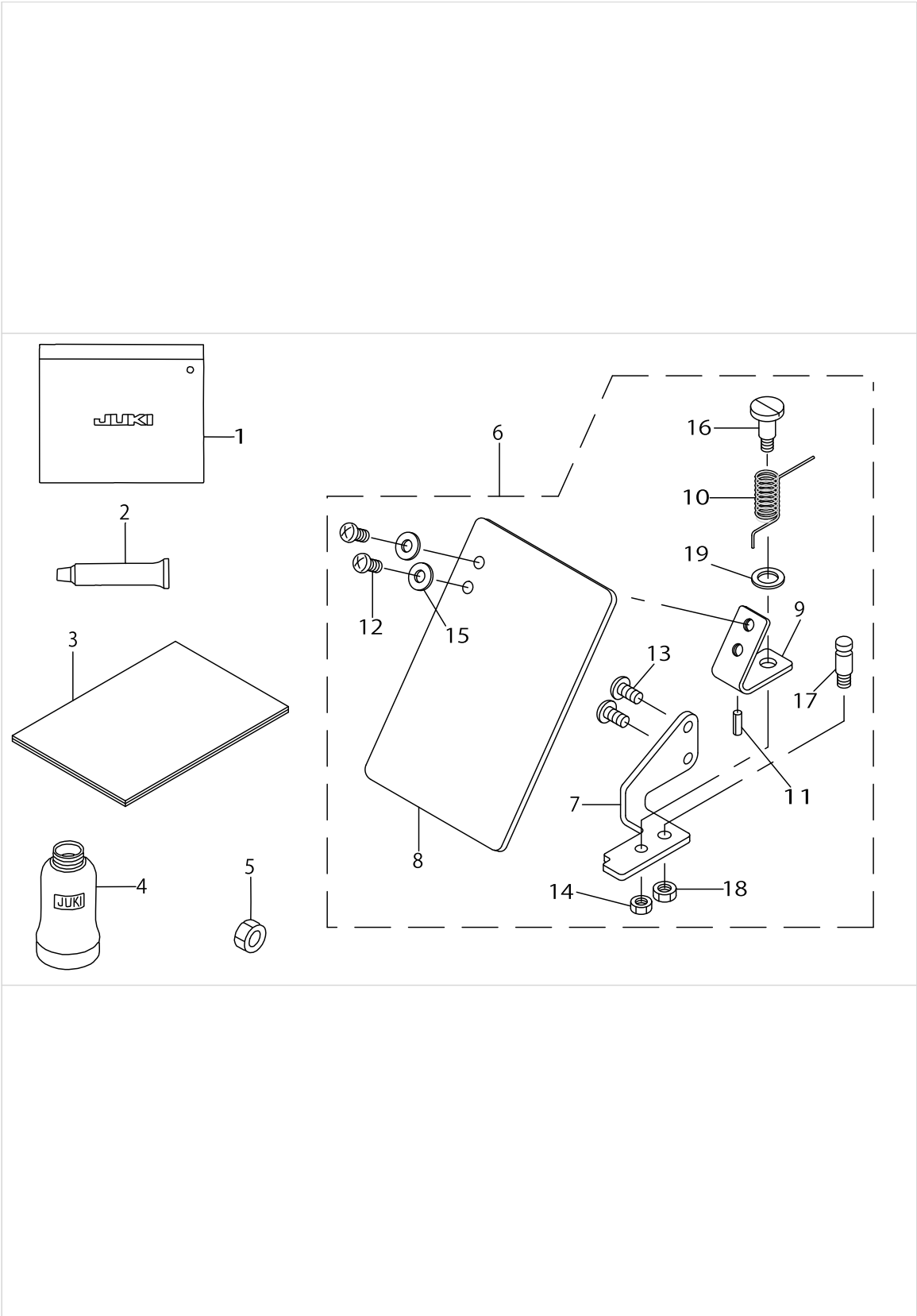
THREAD STAND COMPONENTS



THREAD STAND COMPONENTS

No.	Supply Code	Parts No.	Replacement	Parts name	Remarks	Choice	Step	Level	Cons	Qty	Rep. QTY
1	R	11185055	40096354	THREAD STAND ASM.						1	1.00
2	D	11185501		SPOOL RETAINER				*		2	
3	R	B3320704L00A	40085790	SPOOL PIN				*		2	1.00
4	D	B3311012000		SPOOL REST CUSHION				*		2	
5	D	11185006		SPOOL REST ARM				*		1	
6		SM4051405SE		SCREW M5 L=14				*		2	
7	R	11185402	40096354	THREAD GUIDE ARM JOINT				*		2	1.00
8	R	B3311704000	22931406	SPOOL REST ROD CAP				*		1	1.00
9	R	11185352	40096354	THREAD GUIDE ASM.				*		1	1.00
10	R	11185204	40096354	SPOOL REST ROD UPPER				*		1	1.00
11	R	B3305704000A	40096354	SPOOL REST ROD JOINT				*		1	1.00
12		SM4051405SE		SCREW M5 L=14				*		2	
13		NM6050001SE		NUT M5				*		2	
14	R	11185105	40096354	SPOOL REST ROD LOWER				*		1	1.00
15		NM6050001SE		NUT M5				*		2	
16	R	B3317704000	NM6160511SE	NUT				*		1	1.00
17		WP1612616SE		WASHER 16X30X2.6				*		2	
18		MAO11532000		CORD STAPLE				*		3	
19		NM6050001SE		NUT M5				*		2	

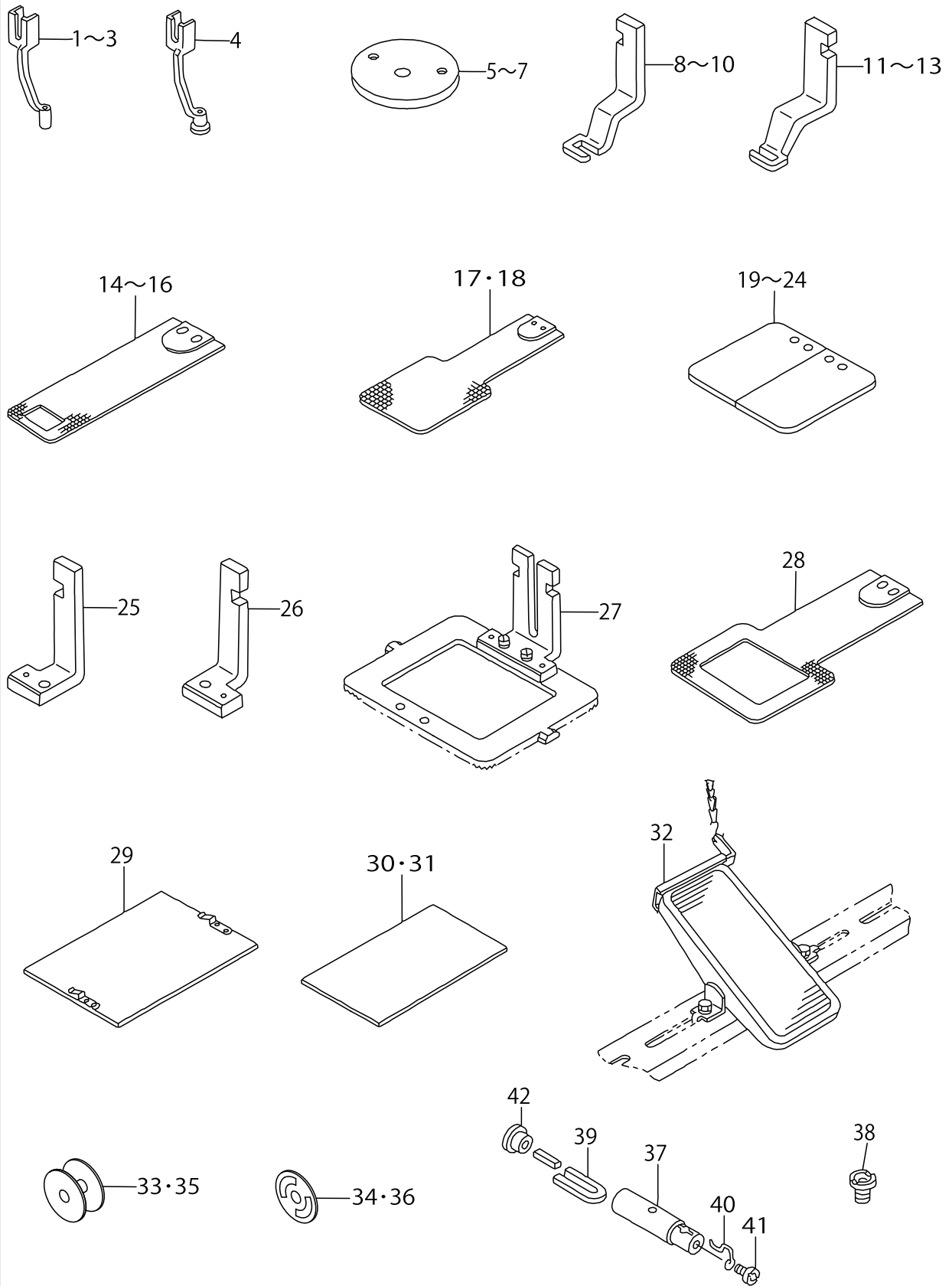
ACCESSORIE PART COMPONENTS



ACCESSORIE PART COMPONENTS

No.	Supply Code	Parts No.	Replacement	Parts name	Remarks	Choice	Step	Level	Cons	Qty	Rep. QTY
1	R	B9101552000	22932800	ACCESSORY BOX						1	1.00
2		13525506		GREASE TUBE						1	
3		B2564215000		SPONGE						1	
4		B9121012000		OIL CAN						1	
5		NM6050001SC		NUT M5						1	
6	R	13551254	40052806	SAFETY PLATE ASM.						1	1.00
7	R	13551205	26235705	SAFETY PLATE INSTALLING BASE				*		1	1.00
8	R	B3120372000	26037200	SAFETY PLATE				*		1	1.00
9	R	B3121372000	26037309	SAFETY PLATE INS-TALLING PLATE				*		1	1.00
10		13943204		SAFETY PLATE RETURN SPRING				*		1	
11		PS0200062KH		SPRING PIN 2X6				*		1	
12		SS4110715SP		SCREW 11/64-40 L=7				*		2	
13		SS4110715SP		SCREW 11/64-40 L=7				*		2	
14		NS6110310SP		NUT 11/64-40				*		1	
15		WP0450801SD		WASHER 4.5X10X0.8				*		2	
16		SD0601021SP		HINGE SCREW D=6 H=10.2				*		1	
17	R	B1506352000	26226407	TENSION SPRING RACK B				*		1	1.00
18		NS6120310SP		NUT 3/16-28				*		1	
19		WP0740516SP		WASHER 7.4X11.8X0.5				*		1	

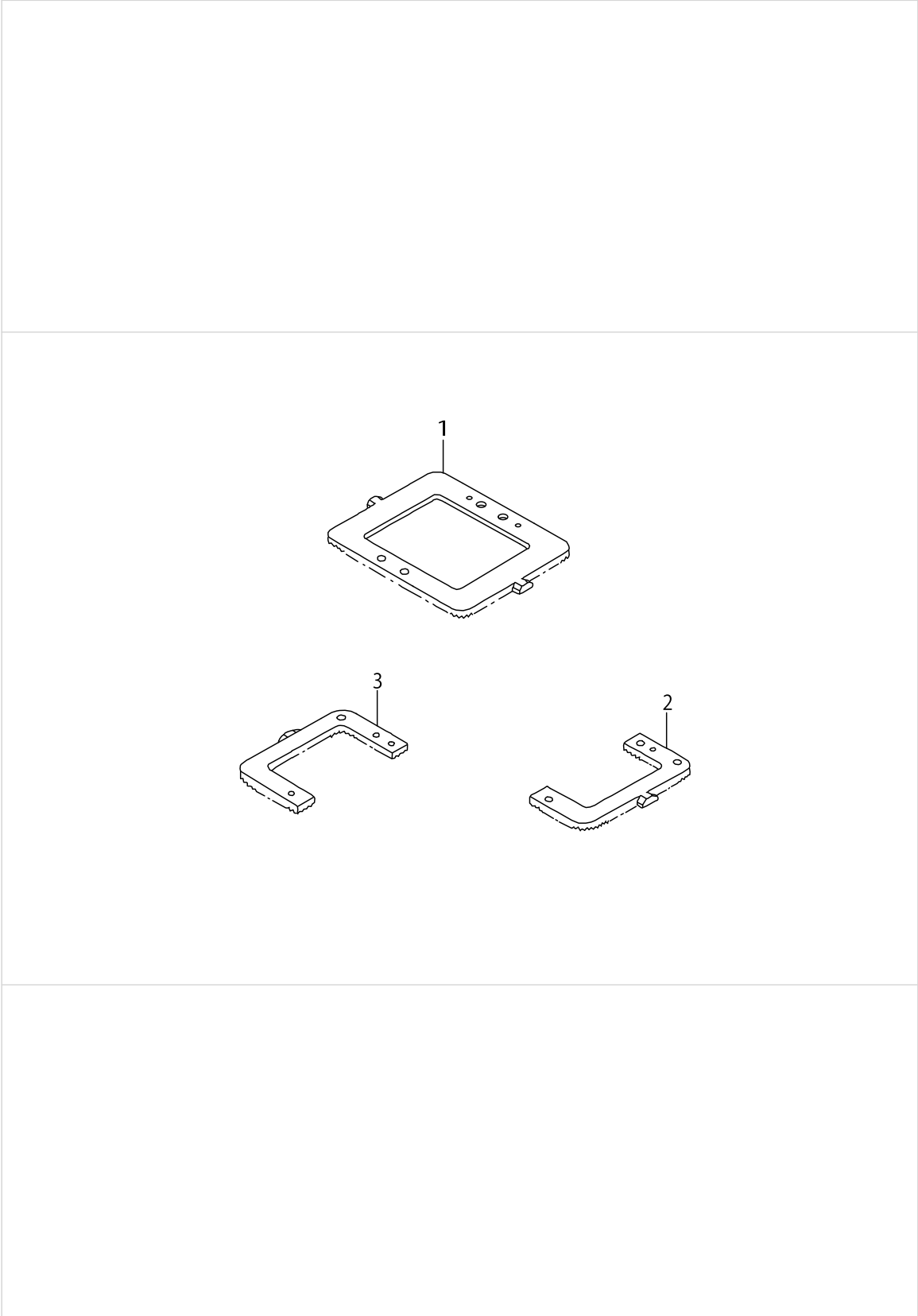
OPTIONAL PART COMPONENTS (1)



OPTIONAL PART COMPONENTS (1)

No.	Supply Code	Parts No.	Replacement	Parts name	Remarks	Choice	Step	Level	Cons	Qty	Rep. QTY
1		B1601210000		INTERMEDIATE PRESSER A						1	
2		B160121000B		INTERMEDIATE PRESSER B						1	
3		B160121000D		INTERMEDIATE PRESSER D						1	
4		B160121000C		INTERMEDIATE PRESSER C						1	
5		B242621000B		NEEDLE HOLE GUIDE D=2.0						1	
6		B242621000C		NEEDLE HOLE GUIDE D=1.6						1	
7		B242621000D		NEEDLE HOLE GUIDE D=2.4						1	
8	D	B2551205000		WORK CLAMP FOOT RIGHT						1	
9	D	B2551205B00		WORK CLAMP FOOT RIGHT						1	
10	D	B2551205C00		WORK CLAMP FOOT RIGHT						1	
11		B2552205000		WORK CLAMP FOOT LEFT						1	
12		B2552205B00		WORK CLAMP FOOT LEFT						1	
13		B2552205C00		WORK CLAMP FOOT LEFT						1	
14	D	B2556205000		FEED PLATE						1	
15		B2556205B00		FEED PLATE						1	
16	D	B2556205C00		FEED PLATE						1	
17	D	B25562060X0		FEED PLATE BLANK						1	
18	D	B25562060Y0		FEED PLATE BLANK						1	
19		B25532060X0		FEEDING FRAM BLANK						1	
20		B25532060Y0		FEEDING FRAM BLANK						1	
21	D	B25722060X0		FEEDING FRAM BLANK RIGHT						1	
22	D	B25722060Y0		FEEDING FRAM BLANK RIGHT						1	
23		B25732060X0		FEEDING FRAM BLANK LEFT						1	
24		B25732060Y0		FEEDING FRAM BLANK LEFT						1	
25		B25702060A0		WORK CLAMP FOOT ASM. RIGHT						1	
26		B25712060A0		WORK CLAMP FOOT ASM. LEFT						1	
27	R	B25512060A0	B25512060AA	FEEDINGFRAMEASM.						1	1.00
28	D	B2556206000		FEED PLATE						1	
29	D	B25572060A0		PLASTIC BLANK PLATE ASM. LARGE						1	
30		B2587210000		MATERIAL PLATE A						1	
31		B2588210000		MATERIAL PLATE B						1	
32		B81512060AA		OPTION PEDAL ASM.						1	
33		B180520500A		BOBBIN	USE TOGETHER					1	
34		B180820500A		IDLE PREVENTION SPRING	USE TOGETHER					1	
35	R	B1827280000	26233106	BOBBIN	USE TOGETHER(FOR KOREA)					1	1.00
36		B1830980000		RACING PREVENTION SPRING	USE TOGETHER(FOR KOREA)					1	
37		13501309		SILICON OIL PIPE	SET(OPTIONAL)					1	
38		13501408		SILICON OIL POURING HOLE	SET(OPTIONAL)					1	
39		13501705		SILICON OIL FELT	SET(OPTIONAL)					1	
40		B1127280000		SILICON OIL THREAD GUIDE	SET(OPTIONAL)					1	
41		SS4110515SP		SCREW 11/64-40 L=5	SET(OPTIONAL)					1	
42		TA1050504R0		RUBBER PLUG	SET(OPTIONAL)					1	

OPTIONAL PART COMPONENTS (2)



OPTIONAL PART COMPONENTS (2)

No.	Supply Code	Parts No.	Replacement	Parts name	Remarks	Choice	Step	Level	Cons	Qty	Rep. QTY
1		B2553206000		FEEDING FRAME						1	
2		B2554206000		PRESSER PLATE LEFT						1	
3	D	B2555206000		PRESSER PLATE RIGHT						1	

HOW TO MAKE USE OF THIS PARTS LIST

1.As to "#01" and "#02" refer to the "Note" given at the bottom of the respective pages.

2.Codes on the "Qty" column

- Each numeral indicates the number of parts required.
- "0.1" and "2.5" indicate the length (in meters) of the respective parts.

3.Parentheses mean that the corresponding part is a subpart that constructs an assembly part.

4.Dotted lines on the Figures indicate assembly parts.

1. リストページの# 0 1、# 0 2の印は、ページ下の"注記"の説明を参照下さい。
2. 数量欄の数字は、個数を表し、0. 1、2. 5等の数値は、長さ（単位メートル）を表します。
3. 数量欄の（ ）は、組部品を構成している子部品であることを意味します。
4. イラストページの-----枠は、組構成であることを意味します。

NUMERICAL INDEX OF PARTS

PART NO	PAGE	REF NO.	PART NO	PAGE	REF NO.	PART NO	PAGE	REF NO.
10007003	2	12	B11052100AA	50	1	B1206210000	50	6
11010709	14	21	B110620500A	6	1	B1207205000	10	1
11071602	44	21	B110720500A	6	2	B12082100A0	10	14
11071701	44	22	B1107280000	6	33	B12092100A0	10	5
11155108	42	10	B1108205000	2	1	B12102100A0	10	7
11155207	42	4	B1109205000	2	2	B1223771000	12	47
11157666	42	15	B1110205000	2	3	B1401210000	10	23
11157765	42	16	B1111205000	2	4	B1401210000	50	31
11157963	42	17	B1111232000	2	24	B1402210000	50	38
11158060	42	18	B1112206000	50	32	B1402280000	10	24
11158300	42	19	B1113206000	50	33	B1403280000	10	27
11158409	42	20	B1115205000	6	3	B1404280000	10	31
11158516	42	26	B1115232000	2	46	B1405210000	10	25
11158607	42	21	B11152320A0	2	43	B1405210000	50	17
11185006	54	5	B1116205000	6	4	B1406210000	12	58
11185055	54	1	B1116210000	6	12	B14115520A0	10	28
11185105	54	14	B1117205000	6	5	B1411804A00	10	41~45
11185204	54	10	B1117210000	2	17	B1411804B00	10	41~45
11185352	54	9	B1118205000	6	6	B1411804B00	18	16
11185402	54	7	B1119205000	6	7	B1411804C00	10	41~45
11185501	54	2	B1120205000	6	8	B1411804D00	12	41~45
11392107	50	24	B1120206000	50	34	B1414232000	10	26
13500400	6	32	B1123205000	6	13	B1501127000	44	25
13501309	58	37	B1123210000	28	42	B1501205000A	14	6
13501408	58	38	B1123280000	2	20	B15022050A0	14	1
13501705	58	39	B11242050A0	40	56	B1502541000	44	26
13508205	18	11	B1124210000	28	37	B1504205000A	14	5
13508700	18	13	B1125205000	4	53	B1504210000	14	15
13508809	18	14	B1125280000	2	22	B1505205000	14	4
13508908	18	15	B1126210000	2	18	B1505210000	14	16
13515200	16	20	B1126552000	2	25	B1506352000	56	17
13525506	56	2	B1127280000	58	40	B1507205000	14	8
13528807	36	4	B1128210000	50	21	B1507552000	46	63
13529607	36	5	B1129210000	2	21	B1508205000	14	9
13551205	56	7	B11312100A0	6	34	B15082050A0	14	7
13551254	56	6	B113321000F	50	16	B1509205000	14	17
13816608	2	19	B1143210000	4	57	B1510227000	44	23
13816855	18	12	B1201210000	10	2	B1511205000	14	3
13817408	24	20·27	B1202210000	10	3	B1512205000	14	2
13943204	56	10	B1202280000	10	9	B1513212000	14	18
17007402	42	22	B1203210000	10	4	B1520212000	14	19
17845009	52	11	B1203280000	10	30	B1601206000	44	28
B1103205000	6	10	B12042100A0	10	10	B1601210000	58	1~3
B110421000B	2	5	B12052100AA	10	12	B160121000B	58	1~3
B11052050AA	2	6	B12052100BA	10	11	B160121000C	58	4

NUMERICAL INDEX OF PARTS

PART NO	PAGE	REF NO.	PART NO	PAGE	REF NO.	PART NO	PAGE	REF NO.
B160121000D	58	1~3	B18112050AY	18	6~10	B2107205000	24	2
B16022060A0	44	44	B18112050AZ	18	6~10	B2110205000	24	4
B16032100A0	44	18	B1812205000	20	66	B2301205000	24	30
B1606210000	44	37	B1813980000	18	22	B2302205000	26	46
B1607210000	44	20	B1814980000	18	23	B23022050AA	24	12·13
B1609210000	44	35	B1815980000	18	24	B2302280000	24	17
B16092100A0A	44	32	B1816210000	20	77	B23022800A0	24	12·13
B1610210000A	44	33	B1816280000	20	79	B2303205000	24	29
B1611210000	44	24	B1816280000	34	17	B23032050AA	24	28
B1612206000	44	30	B1816280000	48	13	B2303280000	24	26
B16152060A0	44	3	B1817205000	20	75·76	B2304205000	24	31
B16152060B0	44	1	B181720500B	20	75·76	B2305205000	24	15·23
B1616206000	44	10	B18172050A0	20	73·74	B2313210000	26	47
B1616210000	44	8	B18172050AB	20	73·74	B2313280000	24	16
B1617210000	44	5	B1817280000	22	80	B2401205000	12	54
B1618206000	44	9	B1818205000	18	2~5	B2402210000	16	6
B16192100A0A	44	4	B1818205A0B	18	2~5	B2403210000	16	7
B1622210A00	44	45	B1818280000	18	2~5	B2404210000	16	8
B1625206000	46	61	B1819280000	18	25	B2405210000	16	9
B1626210000	44	29	B1820280000	18	26	B2407210000	16	11
B1627210000	46	48	B1821280000	18	27	B2408205000	16	1
B162821000B	46	50	B1823280000	18	28	B2409205000	16	2
B16282100AB	46	49	B1827280000	20	1·67·72	B2409210000	16	17
B1629210000	46	56	B1827280000	58	33·35	B24092100A0	16	16
B1630210000	46	57	B18282050A0	20	68·69·71	B2410205000	16	3
B1631210000	46	51	B18282050AA	20	68·69·71	B2410210000	16	18
B1633210000	44	41	B18289800BB	20	68·69·71	B2411210000	16	12
B1634210000	46	66	B1830980000	58	34·36	B2412210000	16	13
B1702210000	50	28	B1901280000	10	32	B2413205000	16	4
B17032060A0A	50	22	B19012800B0	10	29	B24142800A0	20	52
B1704210000	50	26	B1902280000	10	33	B2415205000	16	5
B17052100A0	50	29	B1903280000	10	34	B24152800A0	20	51
B1707206000	50	30	B1903552000	10	35	B2416280000	20	50
B1802210000	18	17	B1904280000	12	46	B2417280000	20	62
B1803210000	18	18	B1905541A00	10	36~40	B2418280000	20	49
B18042800A0	18	19	B1905541B00	10	36~40	B24212050A0	20	48
B1805205000	18	1·67·72	B1905541C00	10	36~40	B242328000A	20	58~60
B180520500A	58	33·35	B1905541D00	10	36~40	B242328000B	20	58~60
B180520500B	20	1·67·72	B2036372000	34	16	B242328000C	20	58~60
B1805980000	18	20·70	B2036372000	48	21	B2424210000	20	47
B180820500A	58	34·36	B2101205000	24	3	B2425210000	20	46
B1808980000	18	21	B210220500A	24	1	B24252100A0	20	44·45
B18112050AA	18	6~10	B2103205000	24	5	B24252100AB	20	44·45
B18112050AB	18	6~10	B210420500A	24	32	B242621000A	20	63·64
B18112050AC	18	6~10	B2105205000	24	33	B242621000B	20	63·64

NUMERICAL INDEX OF PARTS

PART NO	PAGE	REF NO.	PART NO	PAGE	REF NO.	PART NO	PAGE	REF NO.
B242621000B	58	5~7	B2533205000	30	16	B2558205000	48	19
B242621000C	58	5~7	B2536205000	30	26	B2559205000	34	11
B242621000D	58	5~7	B2544280000	34	15	B2559205000	48	17
B2501205000	28	3	B2544280000	48	8	B2561205000A	34	12
B25012050A0A	28	2	B2545280000	34	19	B2561205000A	48	4
B2501205AB0A	28	1	B2545280000	48	20	B2562205000	34	13
B2502205000	28	6	B2547980000	34	18	B2562205000	48	24
B2503205000	28	9	B2547980000	48	15	B2563205000	34	14
B2503210000	28	8	B2550205000	34	3	B2563205000	48	9
B2504205000	28	22	B2550205000	48	22	B2564215000	56	3
B2505205000	28	23	B25502050A0A	34	2	B25702060A0	58	25
B2506205A00A	28	24	B25502060A0A	48	1	B25712060A0	58	26
B2507210000	28	7	B2551205000	34	4	B25722060X0	58	19~24
B2509210000	28	29	B2551205000	58	8~10	B25722060Y0	58	19~24
B2509704000	30	30	B2551205B00	58	8~10	B25732060X0	58	19~24
B2510205000A	30	1	B2551205C00	58	8~10	B25732060Y0	58	19~24
B2511205000	30	2	B25512060A0	58	27	B2587210000	58	30·31
B2512205000	28	5	B25512060AA	48	10	B2588210000	58	30·31
B2513205000	28	25	B2552205000	34	5	B2702210000	24	43
B2513205000	30	9	B2552205000	58	11~13	B2703210000	40	55
B2514205000	28	26	B2552205B00	58	11~13	B3107804000	24	19
B2514205000	30	10	B2552205C00	58	11~13	B3112761000	24	14·18
B2515205000	28	27	B25532050A0A	34	6	B3114232000	24	15·23
B2516205000A	28	28	B25532050A0A	48	3	B3114771000	2	26
B2516205000A	30	11	B2553206000	60	1	B3119771000	24	20·27
B2517205000A	30	8	B25532060X0	58	19~24	B3120125000	24	21
B2517205AA0A	30	7	B25532060Y0	58	19~24	B3120372000	56	8
B2518205000	30	12	B25542050A0A	34	7	B3121372000	56	9
B2519205000	28	10	B25542050A0A	48	27	B3123352000	2	44
B2520205000	28	11	B2554206000	60	2	B3125012000	2	47
B2521210000A	28	4	B2555205000	34	8	B3125012000	4	47
B2522205000	28	12	B2555205000	48	7	B3126012000	2	45
B2522210000	28	13	B2555206000	60	3	B3126012000	24	22
B2523205000	30	13	B2556205000	34	1	B3132552000	24	24
B2524205000A	30	3	B2556205000	58	14~16	B32012100A0	6	9
B2525205000	30	4	B2556205B00	58	14~16	B320321000A	6	14
B2526210000	30	6	B2556205C00	58	14~16	B3204210000	6	15
B2527210000	28	14	B2556206000	48	30	B3205210000	6	16
B2528205000	30	14	B2556206000	58	28	B3206210000	6	17
B2529205A00	30	46	B25562060X0	58	17·18	B3207210000	6	18
B2529205AA0A	30	37	B25562060Y0	58	17·18	B3208210000	6	19
B2529205AAAA	30	44	B2557205000	34	9	B3208280000	6	30
B2529205AB0	30	38	B2557205000	48	25	B3209210000	6	20
B2529205ABA	30	45	B25572060A0	58	29	B3210210000	6	21
B2530210000	30	15	B2558205000	34	10	B3211210000	6	22

NUMERICAL INDEX OF PARTS

PART NO	PAGE	REF NO.	PART NO	PAGE	REF NO.	PART NO	PAGE	REF NO.
B3212210000	6	23	B41502050A0	38	38	D6042555B00	50	11
B3212761000	6	24	B41602050A0	38	37	D8204555D00	42	6
B3213205000	12	56	B41702050A0	38	39	D8621761C0B	30	42
B3305704000A	54	11	B41802050A0	38	45	D9319762T00	34	20
B3311012000	54	4	B81012050AAA	42	14	D9319762T00	48	5
B3311704000	54	8	B8150210000	42	25	E8760452F00	50	13
B3317704000	54	16	B81512060AA	58	32	E8760452H00	50	12
B3320704L00A	54	3	B820120500AA	42	2	E8760452M00	30	48
B3501210000	36	7	B82012050AAA	42	1	E8760452M00	32	48
B35022100A0	36	8	B8202205000	42	8	E9567319000	42	13
B3502280000	36	14	B8203205000A	42	3	E9611601000	52	6
B35032050A0	36	2	B8210012000	42	7	E9672452000	52	5
B3504210000	36	9	B821021000B	42	33	EA9500B0000	36	22
B3504280000	36	15	B821121000B	42	34	EA9500B0100	14	14
B35052100A0	36	10	B9101552000	56	1	EA9500B0100	50	10
B3505280000	36	16	B9121012000	56	4	EA9502B0500	40	54
B35062050A0	36	1	BP300000000	36	24	G6705152U0A	52	36
B3507210000	36	11	CM300100001	52	34	GPK570010B0	52	32
B3508280000	36	17	CM300100101	52	33	HA000590000	50	14
B35132100A0	36	20	CM300200002	4	59	HA001230010	52	22
B35142100A0	36	21	CM3002000B2	4	58	HA001350000	50	15
B3515210000	4	49	CM300200301	4	55·56	HA002270010	52	25
B3516210000	50	5	CM3002003A1	4	55·56	HA002270020	52	24
B3518210000	36	13	CM500100001	42	32	HA00227002A	52	23
B35202100A0	50	4	CQ202000000	36	25	HA002470010	52	20
B35222100A0	36	3	CQ252200000	36	26	HF001400700	52	29
B4004205000	38	2	CS079101ASH	18	29	HK003940010	30	47
B40042050A0	38	1	CS080081BSH	18	30	HK003940010	32	47
B4005210000	38	8	CS080081FSH	16	30	HK012600150	38	34
B40052100A0	38	7	CS147101ASH	10	18	HK017420150	38	40
B4006210000	38	14	D1630555B00	36	18	HK018620060	32	49
B40062100A0	38	13	D1805MLBH00	20	20·70	HL008730056	52	14
B4007205000	28	20	D1817282N00	20	78	HL010620003	52	12
B4008205000	38	20	D1818282N00	18	2~5	HP001600100	38	43
B40082050A0	38	19	D2112555B00	40	46	HW100320540	38	42
B4009210000	38	21	D2427555B00B	16	10	HW100470660	38	44
B4010210000	38	22	D2430555B00	6	25	HX00123000A	40	48
B4011210000	38	15	D2430555B00	16	14	HX00123000B	40	47
B4110206AAA	50	7	D2611555B00A	40	57	HX001870000	52	21
B4110210000	50	8	D3112L4BB00	24	14·18	HX004070000	52	19
B4110522000	36	19	D6042555B00	14	11	M10025110AA	52	3
B41152060A0	50	9	D6042555B00	16	15	M3007511000	52	26
B41302050A0	38	33	D6042555B00	24	39	M40051100A0	10	6
B41352050A0	38	35	D6042555B00	38	41	M40071100AB	10	13
B41402050A0	38	36	D6042555B00	46	54	M8510519AA0A	52	1·2·35

NUMERICAL INDEX OF PARTS

PART NO	PAGE	REF NO.	PART NO	PAGE	REF NO.	PART NO	PAGE	REF NO.
M8510519BA0A	52	1·2·35	NS6110420SP	16	22	SL4040891SC	50	19
M8510519CA0A	52	1·2·35	NS6110420SP	30	17	SL9082093SE	42	27
M85195110A0	52	28	NS6110530SP	6	31	SM1030801SA	6	37
M85225110A0	52	8	NS6120310SP	16	23	SM4030855SN	40	51
M85235110A0	52	10	NS6120310SP	44	34	SM4051405SE	54	12
M85245110A0	52	13	NS6120310SP	56	18	SM4055001SF	28	39
M85285110A0	52	7	NS6150310SP	2	29	SM6031010SC	38	18
M85295110A0	52	9	NS6150310SP	30	27	SM6040552TP	28	21
M85305110A0	52	30	NS6150430SP	44	31	SM6041402TP	28	16
M8532519AA0	52	15·16	NS6620310SP	46	59	SM6051602TP	28	40
M8532519BA0	52	15·16	NS6660430SP	18	31	SM6054002TN	30	20
M85335110A0	52	17	PS0150065KP	6	27	SM6056552TP	6	38
M8601519AA0A	52	4	PS0200062KH	56	11	SM6061002TP	34	28
M8602511AA0	52	31	PS0250162KH	18	32	SM6061002TP	48	31
M86035190A0A	52	18	PS0300132KH	50	23	SM6061802TP	34	29
M86045110A0	38	3	RC1021011KP	16	29	SM6061802TP	48	28
M86065100A0	38	10	RE0320000K0	14	22	SM8040602TP	28	32
M86075100A0	38	16	RE0320000K0	44	39	SM8040602TP	30	24
M8808301000	52	27	RE0400000K0	44	38	SM8050802TP	28	34
M964051000A	42	11	RE0600000K0	6	46	SM8050802TP	30	50
MAO11108N00	42	28	RE0600000K0	14	23	SM8050802TP	32	50
MAO11532000	54	18	RE0700000K0	16	31	SS1060210TP	20	53
MC200501000	12	48·59~ 62	SB108000500	28	30	SS1110640TP	20	65
MC372001100	12	48·59~ 62	SB108000500	30	25	SS1110840SP	2	42
MDP170B1800	12	48·59~ 62	SB710000200	34	21	SS1110840SP	28	36
MDP500B1400	12	48·59~ 62	SB710000200	48	23	SS2110920TP	16	27
NM6040003SC	16	21	SD0500803TP	16	24	SS2621540SP	14	25
NM6040003SC	24	34	SD0600101TP	20	54	SS3090610SP	2	32
NM6050001SC	6	36	SD0600181TP	24	9	SS4090715SP	2	34
NM6050001SC	56	5	SD0600321SP	44	7	SS4110515SP	8	49
NM6050001SE	54	19	SD0600361SP	44	2	SS4110515SP	58	41
NM6050001SP	28	38	SD0600411TP	44	12	SS4110715SP	6	35
NM6060001SC	42	31	SD0600452TP	34	23	SS4110715SP	36	30
NM6060003SC	46	53	SD0600452TP	48	6	SS4110715SP	40	50
NS6090310SP	2	28	SD0601021SP	56	16	SS4110715SP	56	13
NS6110310SN	34	22	SD0640191TP	44	19	SS4110815SP	8	50
NS6110310SN	48	2	SD0640323TP	46	58	SS4111015SP	2	37
NS6110310SP	2	13	SD0640391TP	44	36	SS4111015SP	6	48
NS6110310SP	24	7	SD0650305TP	16	25	SS4111015SP	8	48
NS6110310SP	28	15	SD0720332SP	50	27	SS4150715SP	2	38
NS6110310SP	56	14	SD0801021TP	18	33	SS5110810SP	14	24
NS6110420SP	14	20	SK3311600SC	42	9	SS6060410TP	18	34
			SK3382001SE	42	12	SS6090440SP	36	27
			SK3552500SC	42	37	SS6090620SP	28	17
			SL4040691SC	42	35	SS6090670TP	12	50

NUMERICAL INDEX OF PARTS

PART NO	PAGE	REF NO.	PART NO	PAGE	REF NO.	PART NO	PAGE	REF NO.
SS6091510SP	18	35	SS7110910SP	30	21	TA0850604R0	2	14
SS6092120SP	36	28	SS7110910TP	28	19	TA1050504R0	2	48
SS6110430TP	20	56	SS7110910TP	30	29	TA1050504R0	4	48
SS6110610TP	14	10	SS7110910TP	44	47	TA1050504R0	58	42
SS6110610TP	28	31	SS7110910TP	46	47	TA1250406R0	2	16
SS6110610TP	50	37	SS7111110TP	18	41	TA1250504R0	4	52
SS6110650TP	34	24	SS7111120SP	24	44	TA1250804R0	4	50
SS6110650TP	48	16	SS7111120SP	26	44	TA1470704R0	2	40
SS6111140SP	36	29	SS7111410SP	30	28	TA2100904R0	2	23
SS6111210SP	10	16	SS7111410TP	46	64	WP0330501SB	38	52
SS6120940SP	50	35	SS7111810TP	30	31	WP0330501SB	40	52
SS6121210SP	16	19	SS7120910SP	34	25	WP0371016SD	50	3
SS6121210SP	28	41	SS7120910SP	48	14	WP0430800SC	24	37
SS6121212TP	18	38	SS7121610SP	30	32	WP0430800SC	46	65
SS6121220TP	14	26	SS7150740SP	40	53	WP0450000SD	50	36
SS6121220TP	24	35	SS7150910TP	8	47	WP0450801SD	10	17
SS6121610SP	30	33	SS7150940SP	44	42	WP0450801SD	24	45
SS6121610TP	50	25	SS7151120SP	12	49	WP0450801SD	26	45
SS6122510SP	10	19	SS7740740SP	6	11	WP0450801SD	38	32
SS6151220SP	18	39	SS8090610SP	24	25	WP0450801SD	56	15
SS6151412TP	10	20	SS8090670SP	38	25	WP0450846SP	20	61
SS6151812TP	46	55	SS8110422TP	4	54	WP0451026SH	44	40
SS6681712TP	10	21	SS8110422TP	10	22	WP0460556SD	24	42
SS7080510TP	12	51	SS8110422TP	30	34	WP0480856SD	30	36
SS7080510TP	50	20	SS8110510SP	24	36	WP0480856SP	2	41
SS7080520SP	38	23	SS8110520TP	6	28	WP0480856SP	6	45
SS7090410SP	20	57	SS8110520TP	18	36	WP0480856SP	48	12
SS7090520SP	50	2	SS8111010TP	10	8	WP0501016SD	6	51
SS7090850SP	40	49	SS8111610SP	12	57	WP0501016SD	8	51
SS7090920SP	44	16	SS8150710SP	6	40	WP0501016SD	16	28
SS7091110SP	44	27	SS8150822TP	18	42	WP0550800SP	30	23
SS7091410SP	44	43	SS8151550SP	10	15	WP0551626SD	6	42
SS7110510SP	18	40	SS8660530TP	12	52	WP0561616SC	42	36
SS7110510SP	36	23	SS8660610TP	12	53	WP0621016SD	34	30
SS7110510SP	38	24	SS8661012TP	12	55	WP0621016SD	36	35
SS7110710SP	36	34	SS9110543CP	36	12	WP0621016SD	48	29
SS7110710SP	44	62	SS9111510SP	30	22	WP0641601SC	42	29
SS7110710SP	46	62	SS9121340CP	34	26	WP0650876SD	46	52
SS7110710SP	50	18	SS9121340CP	48	18	WP0651001SC	34	31
SS7110720SP	2	39	SS9150910SP	30	35	WP0651001SC	48	32
SS7110740TP	20	55	SS9151160CP	46	60	WP0651056SH	6	29
SS7110840SP	2	35	SS9151740CP	24	40	WP0740516SP	56	19
SS7110840SP	18	37	SS9660940TP	34	27	WP0820526SD	28	35
SS7110840SP	38	29	SS9660940TP	48	26	WP0820526SD	30	18
SS7110840SP	48	11	TA0750704R0	4	51	WP0841600SE	14	13

NUMERICAL INDEX OF PARTS

PART NO	PAGE	REF NO.
WP0952616SD	20	43
WP1021016SD	6	43
WP1302501SE	42	23
WP1612616SE	54	17
WS0410002KS	24	38
WS0521010KP	14	12
WS0610002KN	42	30
WS1253010KN	42	24