

MODEL : MO-3900 SUBCLASSES 3912/3914

List No : 0848-03

# PARTS LIST

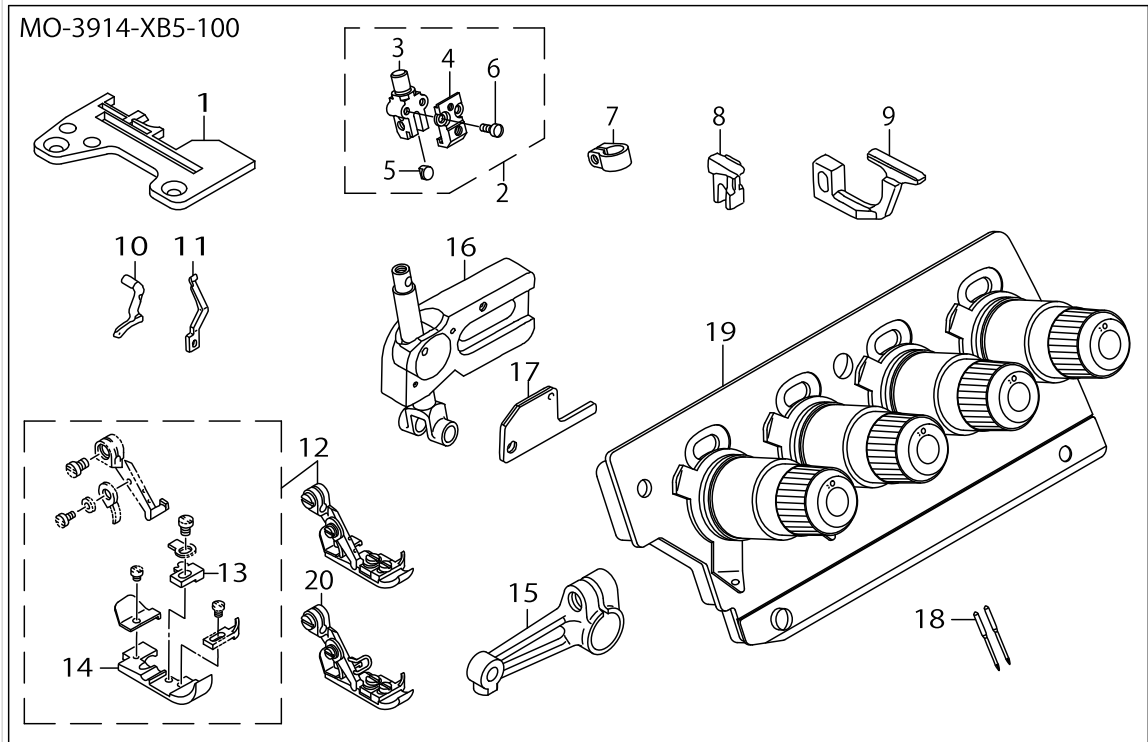
Published:05/12/2017

## CONTENTS

---

MO-3900 SUBCLASSES (1).....	1
MO-3900 SUBCLASSES (2).....	3
MO-3900 SUBCLASSES (3).....	5
MO-3900 SUBCLASSES (4).....	7
MO-3900 SUBCLASSES (5).....	9
MO-3900 SUBCLASSES (6).....	11
MO-3900 SUBCLASSES (7).....	13
MO-3900 SUBCLASSES (8).....	15
MO-3900 SUBCLASSES (9).....	17
HOW TO MAKE USE OF THIS PARTS LIST .....	19

MO-3900 SUBCLASSES (1)

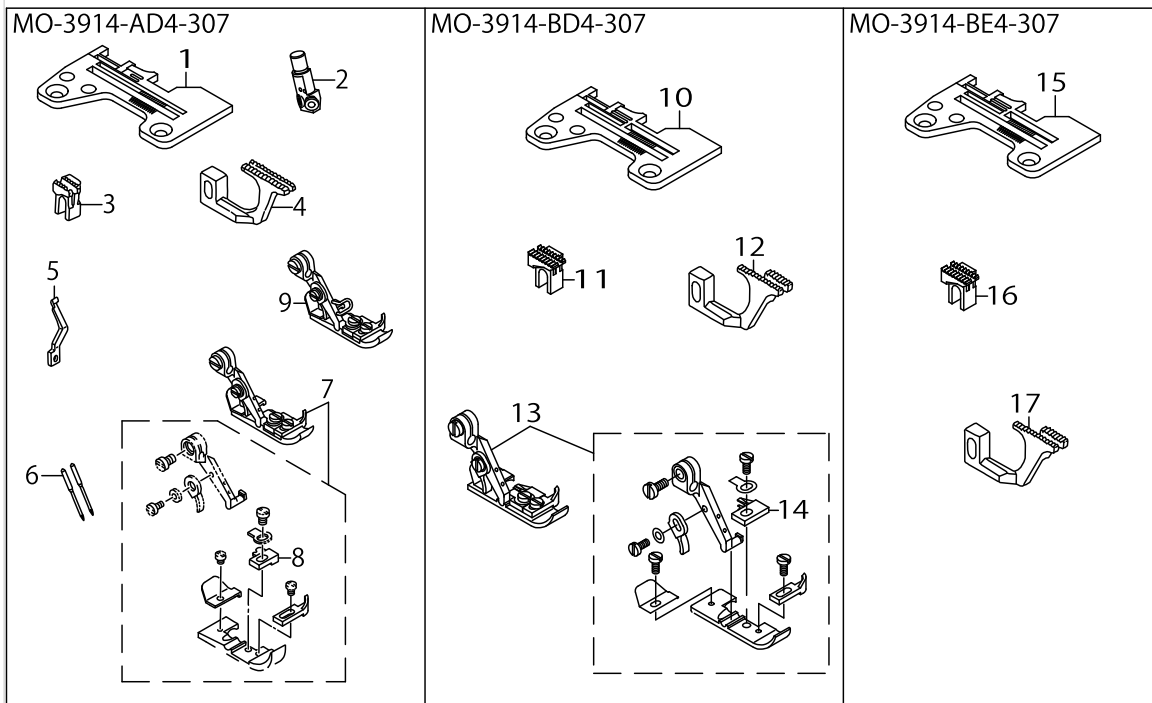


MO-3900 SUBCLASSES (1)

No.	Supply Code	Parts No.	Replacement	Parts name	Remarks	Choice	Step	Level	Cons	Qty	Rep. QTY
1		R4103J0BP00		THROAT PLATE						1	
2	D	12148854		NEEDLE CLAMP ASM., 2-NEEDLE						1	
3	D	12148805		NEEDLE CLAMP, 2-NEEDLE				*		1	
4		12148904		NEEDLE CLAMP COVER				*		1	
5		12149001		NEEDLE CLAMP BLOCK				*		1	
6		SS7060610SP		SCREW 3/32-56 L=5.5				*		1	
7		12110508		NEEDLE CLAMP HOLDER						1	
8		11882008		MAIN FEED DOG						1	
9		11885001		DIFFERENTIAL FEED DOG						1	
10		11888104		UPPER LOOPER						1	
11		11890209		NEEDLE GUARD						1	
12	R	11876554	11876562	PRESSER FOOT ASM.						1	1.00
13	D	11874005		STITCH TONGUE				*		1	
14		B1507804C00		PRESSER FOOT				*		1	
15	R	12122701	12122750	UPPER LOOPER ARM A						1	1.00
16	R	12123006	40015637	UPPER LOOPER GUIDE SUPPORT		C				1	1.00
16	R	12123006	40015637	UPPER LOOPER GUIDE SUPPORT						1	1.00
16	R	12123006	40015637	UPPER LOOPER GUIDE SUPPORT						1	1.00
17		11833704		UPPER LOOPER GUIDE COVER						1	
18		MDCC47B0900		NEEDLE DCXC47 #9						2	
19		12180766		THREAD GUIDE PLATE ASM.						1	
20		11876562		PRESSER FOOT ASM.	FOR EXPORT					1	

C: MO6704-S/6716S/-  
MO6904R/6916R

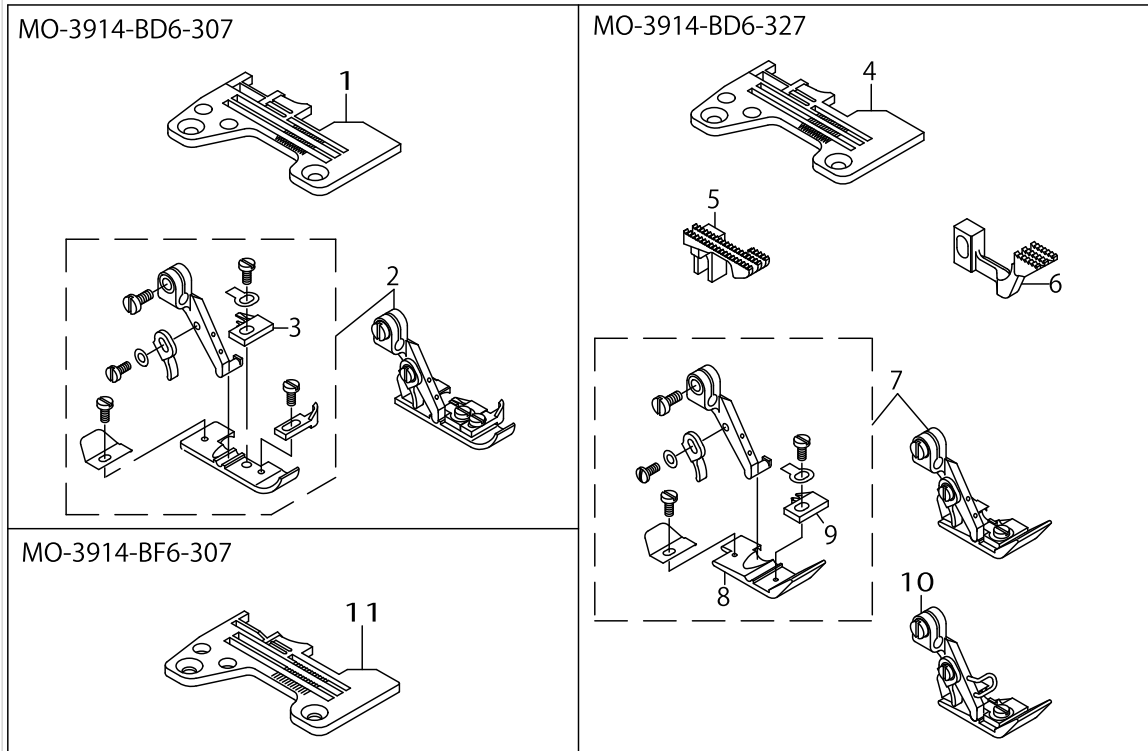
MO-3900 SUBCLASSES (2)



MO-3900 SUBCLASSES (2)

No.	Supply Code	Parts No.	Replacement	Parts name	Remarks	Choice	Step	Level	Cons	Qty	Rep. QTY
1		R4204J0DC00		THROAT PLATE						1	
2		12149100		NEEDLE CLAMP, 2-NEEDLE						1	
3	R	11882107	13191606	MAIN FEED DOG						1	1.00
4	R	B165780400T	13192802	DIFFERENTIAL FEED DOG						1	1.00
5		11890209		NEEDLE GUARD						1	
6		MDC300B1100		NEEDLE DCX3 #11						2	
7	R	11876653	11876661	PRESSER FOOT ASM.						1	1.00
8		11874104		STITCH TONGUE				*		1	
9	D	11876661		PRESSER FOOT ASM.	FOR EXPORT					1	
10	R	R4205J0DE00	R4205J6DE00	THROAT PLATE						1	1.00
11		11597101		MAIN FEED DOG						1	
12		B1657814B0E		DIFFERENTIAL FEED DOG						1	
13	R	12152559	12152567	PRESSER FOOT COMPL.						1	1.00
14	D	12160107		STITCH TONGUE				*		1	
15	R	R4205J0EE00	R4205J6EE00	THROAT PLATE						1	1.00
16		11597101		MAIN FEED DOG						1	
17		B1657814B0E		DIFFERENTIAL FEED DOG						1	

MO-3900 SUBCLASSES (3)



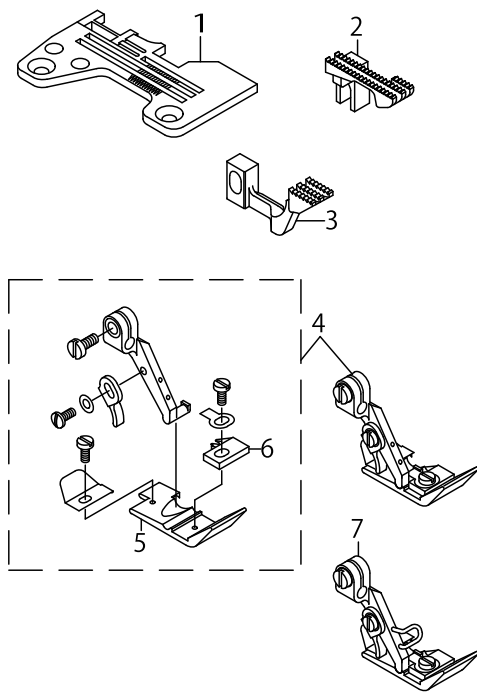
MO-3900 SUBCLASSES (3)

No.	Supply Code	Parts No.	Replacement	Parts name	Remarks	Choice	Step	Level	Cons	Qty	Rep. QTY
1	R	R4305J0DE00	R4305J6DE00	THROAT PLATE						1	1.00
2	R	12152559	12152567	PRESSER FOOT COMPL.						1	1.00
3	D	12160107		STITCH TONGUE				*		1	
4	R	R4305J0DE0A	R4305J6DE0A	THROAT PLATE						1	1.00
5		11883402		MAIN FEED DOG						1	
6		12171807		DIFFERENTIAL FEED DOG						1	
7	R	11879350	11879368	PRESSER FOOT ASM.						1	1.00
8	R	11974102	11879368	PRESSER FOOT				*		1	1.00
9		B150981400P		STITCH TONGUE				*		1	
10		11879368		PRESSER FOOT ASM.	FOR EXPORT					1	
11		R4305J0FE00		THROAT PLATE						1	

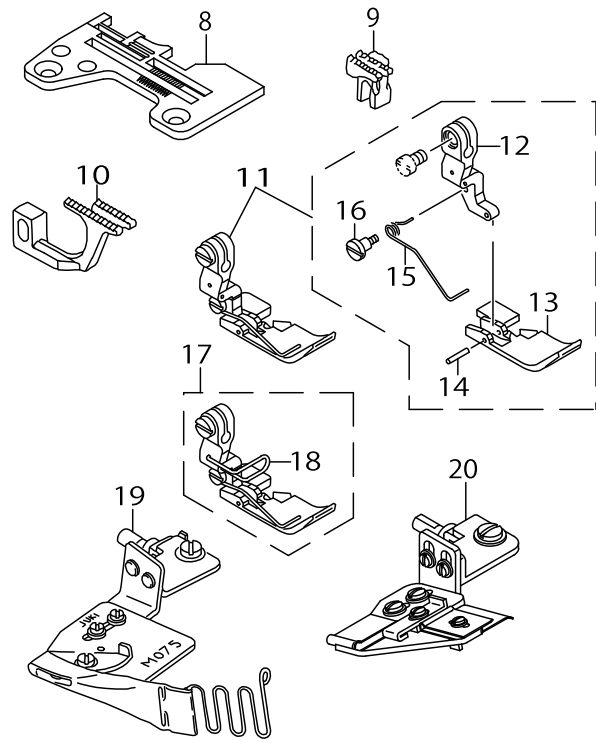


MO-3900 SUBCLASSES (4)

MO-3914-BE6-327

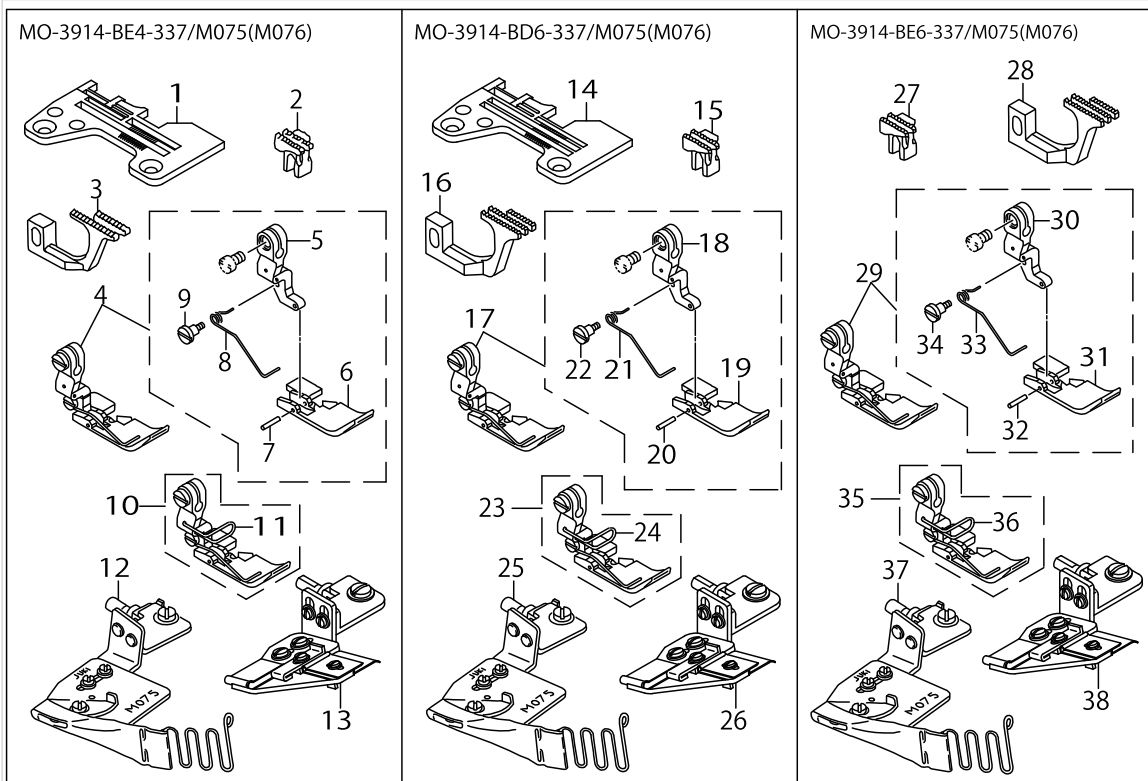


MO-3914-BD4-337/M075(M076)



MO-3900 SUBCLASSES (4)

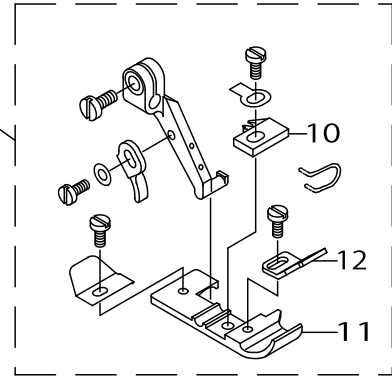
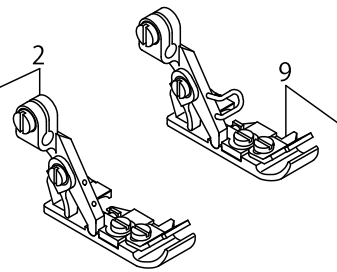
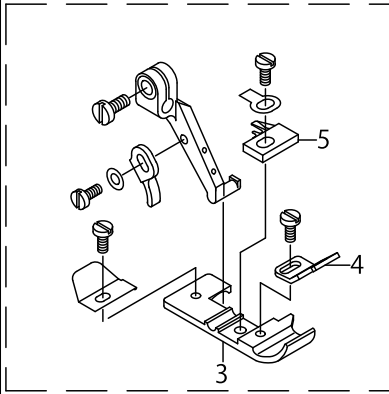
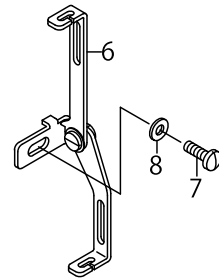
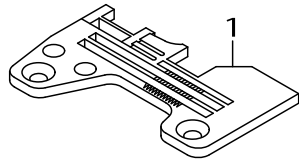
No.	Supply Code	Parts No.	Replacement	Parts name	Remarks	Choice	Step	Level	Cons	Qty	Rep. QTY
1	R	R4305J0EE0A	R4305J6EE0A	THROAT PLATE						1	1.00
2		11883402		MAIN FEED DOG						1	
3		12171807		DIFFERENTIAL FEED DOG						1	
4	R	11879350	11879368	PRESSER FOOT ASM.						1	1.00
5	R	11974102	11879368	PRESSER FOOT				*		1	1.00
6		B150981400P		STITCH TONGUE				*		1	
7		11879368		PRESSER FOOT ASM.	FOR EXPORT					1	
8	R	R4205J0DE00	R4205J6DE00	THROAT PLATE						1	1.00
9		11884509		MAIN FEED DOG						1	
10		B1657814B0M		DIFFERENTIAL FEED DOG						1	
11	R	11879053	11879061	PRESSER FOOT ASM.						1	1.00
12		11872405		PRESSER FOOT HINGE				*		1	
13	R	B1507814B0D	B1507814BAD	PRESSER FOOT				*		1	1.00
14		B1511357000		PIN				*		1	
15		11892106		PRESSER SPRING				*		1	
16		SD0370401SP		HINGE SCREW D= 3.70 H= 4.0				*		1	
17	D	11879061		PRESSER FOOT ASM.	FOR EXPORT					1	
18		11894706		FINGER GUARD				*		1	
19		MAM0750J0A0		PIPING FOLDER ASM. 9MM						1	
20		MAM0760N0A0		PIPING GUIDE ASM. 13MM	SPECIAL ORDER PART					1	



MO-3900 SUBCLASSES (5)

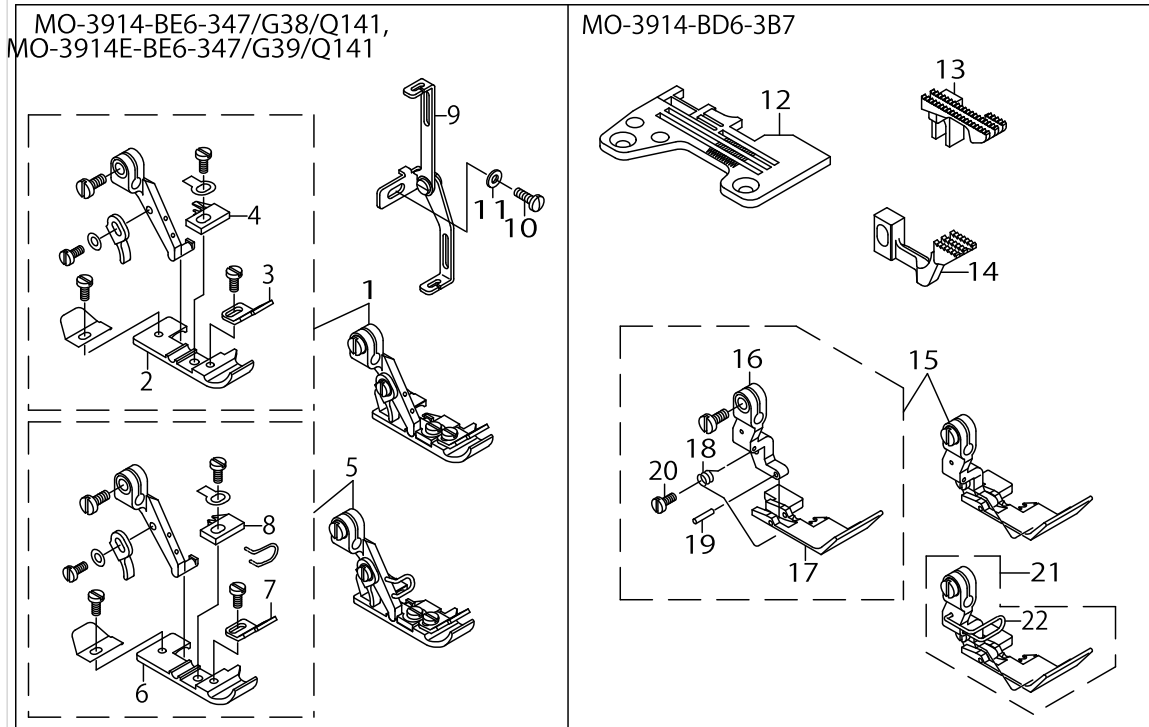
No.	Supply Code	Parts No.	Replacement	Parts name	Remarks	Choice	Step	Level	Cons	Qty	Rep. QTY
1	R	R4205J0EE00	R4205J6EE00	THROAT PLATE						1	1.00
2		11884509		MAIN FEED DOG						1	
3		B1657814B0M		DIFFERENTIAL FEED DOG						1	
4	R	11879053	11879061	PRESSER FOOT ASM.						1	1.00
5		11872405		PRESSER FOOT HINGE				*		1	
6	R	B1507814B0D	B1507814BAD	PRESSER FOOT				*		1	1.00
7		11892106		PRESSER SPRING				*		1	
8		B1511357000		PIN				*		1	
9		SD0370401SP		HINGE SCREW D= 3.70 H= 4.0				*		1	
10	D	11879061		PRESSER FOOT ASM.	FOR EXPORT					1	
11		11894706		FINGER GUARD				*		1	
12		MAM0750J0A0		PIPING FOLDER ASM. 9MM						1	
13		MAM0760N0A0		PIPING GUIDE ASM. 13MM	SPECIAL ORDER PART					1	
14	R	R4305J0DE00	R4305J6DE00	THROAT PLATE						1	1.00
15		11882404		MAIN FEED DOG						1	
16	D	11793304		DIFFERENTIAL FEED DOG						1	
17	R	11879053	11879061	PRESSER FOOT ASM.						1	1.00
18		11872405		PRESSER FOOT HINGE				*		1	
19	R	B1507814B0D	B1507814BAD	PRESSER FOOT				*		1	1.00
20		11892106		PRESSER SPRING				*		1	
21		B1511357000		PIN				*		1	
22		SD0370401SP		HINGE SCREW D= 3.70 H= 4.0				*		1	
23	D	11879061		PRESSER FOOT ASM.	FOR EXPORT					1	
24		11894706		FINGER GUARD				*		1	
25		MAM0750J0A0		PIPING FOLDER ASM. 9MM						1	
26		MAM0760N0A0		PIPING GUIDE ASM. 13MM	SPECIAL ORDER PART					1	
27		11882404		MAIN FEED DOG						1	
28	D	11793304		DIFFERENTIAL FEED DOG						1	
29	R	11879053	11879061	PRESSER FOOT ASM.						1	1.00
30		11872405		PRESSER FOOT HINGE				*		1	
31	R	B1507814B0D	B1507814BAD	PRESSER FOOT				*		1	1.00
32		11892106		PRESSER SPRING				*		1	
33		B1511357000		PIN				*		1	
34		SD0370401SP		HINGE SCREW D= 3.70 H= 4.0				*		1	
35	D	11879061		PRESSER FOOT ASM.	FOR EXPORT					1	
36		11894706		FINGER GUARD				*		1	
37		MAM0750J0A0		PIPING FOLDER ASM. 9MM						1	
38		MAM0760N0A0		PIPING GUIDE ASM. 13MM	SPECIAL ORDER PART					1	

MO-3914-BD6-347/G38/Q141,  
MO-3914E-BD6-347/G39/Q141



MO-3900 SUBCLASSES (6)

No.	Supply Code	Parts No.	Replacement	Parts name	Remarks	Choice	Step	Level	Cons	Qty	Rep. QTY
1	R	R4305J0DE00	R4305J6DE00	THROAT PLATE						1	1.00
2	R	12152856	12152864	PRESSER FOOT ASM.	FOR DOME- STIC USE (G38)					1	1.00
3		12158002		PRESSER FOOT				*		1	
4		12160909		TAPE GUIDE				*		1	
5	D	12160206		STITCH TONGUE				*		1	
6	R	MAQ141000A0	MAQ141000B0	TAPE GUIDE ASM.						1	1.00
7		SS7091110TP		SCREW 9/64-40 L=10.5						1	
8		WP0371016SD		WASHER 3.7X8X1						1	
9		12152963		PRESSER FOOT ASM.	FOR EXPORT (G39)					1	
10		12160305		STITCH TONGUE				*		1	
11		12158002		PRESSER FOOT				*		1	
12		12160909		TAPE GUIDE				*		1	



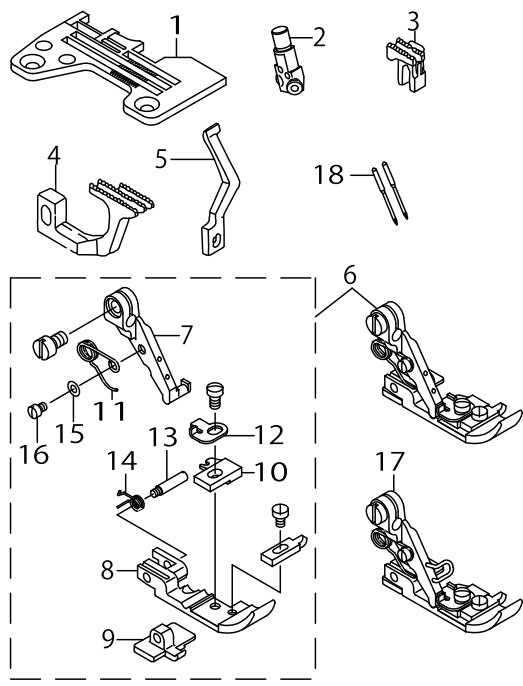
MO-3900 SUBCLASSES (7)

No.	Supply Code	Parts No.	Replacement	Parts name	Remarks	Choice	Step	Level	Cons	Qty	Rep. QTY
1	R	12152856	12152864	PRESSER FOOT ASM.	FOR DOME- STIC USE (G38)					1	1.00
2		12158002		PRESSER FOOT				*		1	
3		12160909		TAPE GUIDE				*		1	
4	D	12160206		STITCH TONGUE				*		1	
5		12152963		PRESSER FOOT ASM.	FOR EXPORT (G39)					1	
6		12158002		PRESSER FOOT				*		1	
7		12160909		TAPE GUIDE				*		1	
8		12160305		STITCH TONGUE				*		1	
9	R	MAQ141000A0	MAQ141000B0	TAPE GUIDE ASM.						1	1.00
10		SS7091110TP		SCREW 9/64-40 L=10.5						1	
11		WP0371016SD		WASHER 3.7X8X1						1	
12	R	R4305J0DE0A	R4305J6DE0A	THROAT PLATE						1	1.00
13		11883402		MAIN FEED DOG						1	
14		12171807		DIFFERENTIAL FEED DOG						1	
15	R	12152658	12152666	PRESSER FOOT ASM.						1	1.00
16		11872405		PRESSER FOOT HINGE				*		1	
17		12157905		PRESSER FOOT				*		1	
18		11892106		PRESSER SPRING				*		1	
19		B1511357000		PIN				*		1	
20		SD0370401SP		HINGE SCREW D= 3.70 H= 4.0				*		1	
21		12152666		PRESSER FOOT ASM.	FOR EXPORT					1	
22		11894706		FINGER GUARD				*		1	

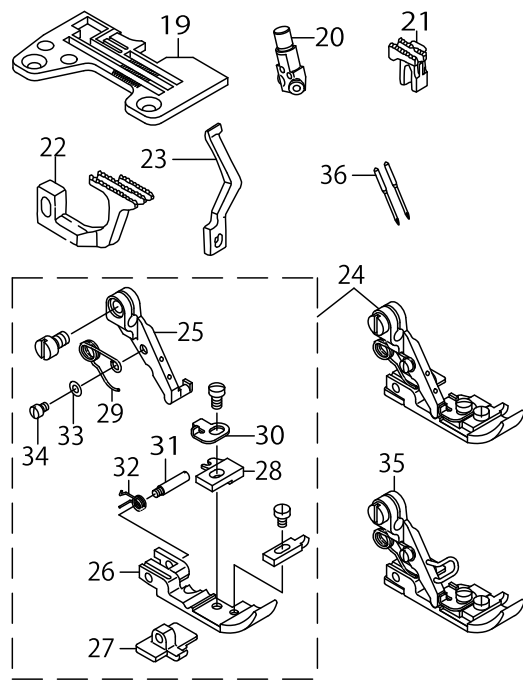


MO-3900 SUBCLASSES (8)

MO-3912-DD6-507



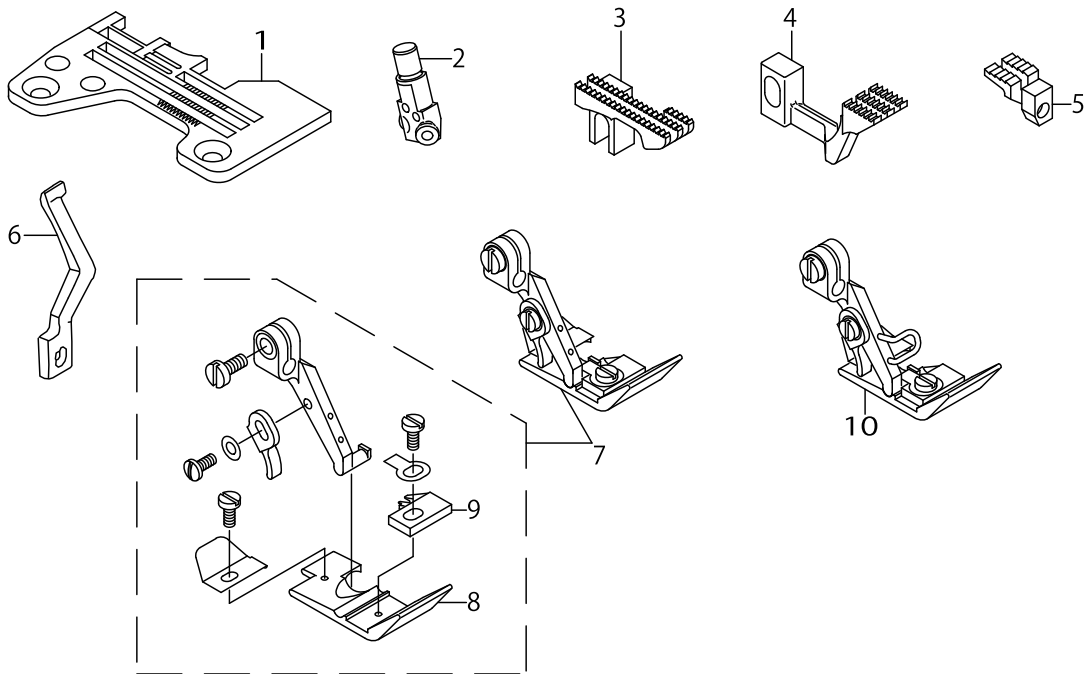
MO-3912-DF6-507



MO-3900 SUBCLASSES (8)

No.	Supply Code	Parts No.	Replacement	Parts name	Remarks	Choice	Step	Level	Cons	Qty	Rep. QTY
1		R4308J0DE00		THROAT PLATE						1	
2		12149407		NEEDLE CLAMP, 2-NEEDLE						1	
3		11984309		MAIN FEED DOG						1	
4		11980604		DIFFERENTIAL FEED DOG						1	
5		11890407		NEEDLE GUARD						1	
6	R	11983855	11983863	PRESSER ASM.						1	1.00
7		11984002		PRESSER HINGE				*		1	
8	R	11983806	11983863	CLOTH PRESSER				*		1	1.00
9	R	11983905	11983863	REARPRESSERFOOT				*		1	1.00
10		11790607		STITCH TONGUE				*		1	
11		11984200		PRESSER SPRING				*		1	
12		11984101		SPRING				*		1	
13		11930807		HINGE PIN				*		1	
14		11931706		SPRING				*		1	
15		WP0371026SD		WASHER 3.7X7X1				*		1	
16		SS7080520SP		SCREW 1/8-44 L=4.9				*		1	
17		11983863		PRESSER FOOT ASM	FOR EXPORT					1	
18		MDC270B1400		NEEDLE DCX27 #14						2	
19	R	R4308J0FE0A	R4308J6FE0A	THROAT PLATE						1	1.00
20		12149407		NEEDLE CLAMP, 2-NEEDLE						1	
21		11984309		MAIN FEED DOG						1	
22		11980604		DIFFERENTIAL FEED DOG						1	
23		11890407		NEEDLE GUARD						1	
24	R	11983855	11983863	PRESSER ASM.						1	1.00
25		11984002		PRESSER HINGE				*		1	
26	R	11983806	11983863	CLOTH PRESSER				*		1	1.00
27	R	11983905	11983863	REARPRESSERFOOT				*		1	1.00
28		11790607		STITCH TONGUE				*		1	
29		11984200		PRESSER SPRING				*		1	
30		11984101		SPRING				*		1	
31		11930807		HINGE PIN				*		1	
32		11931706		SPRING				*		1	
33		WP0371026SD		WASHER 3.7X7X1				*		1	
34		SS7080520SP		SCREW 1/8-44 L=4.9				*		1	
35		11983863		PRESSER FOOT ASM	FOR EXPORT					1	
36		MDC270B1400		NEEDLE DCX27 #14						2	

MO-3912E-DF6-327



MO-3900 SUBCLASSES (9)

No.	Supply Code	Parts No.	Replacement	Parts name	Remarks	Choice	Step	Level	Cons	Qty	Rep. QTY
1		R4308J0FE00		THROAT PLATE						1	
2		12149407		NEEDLE CLAMP, 2-NEEDLE						1	
3	D	11884608		MAIN FEED DOG						1	
4		12171906		DIFFENTIAL FEED DOG						1	
5		11887205		AUXILIARY FEED DOG						1	
6		11890407		NEEDLE GUARD						1	
7	R	11974052	11974060	PRESSER FOOT ASM.						1	1.00
8	R	11974003	11974060	PRESSER				*		1	1.00
9		11790607		STITCH TONGUE				*		1	
10		11974060		PRESSER FOOT ASM.	FOR EXPORT					1	

## HOW TO MAKE USE OF THIS PARTS LIST

1.As to "#01" and "#02" refer to the "Note" given at the bottom of the respective pages.

2.Codes on the "Qty" column

- Each numeral indicates the number of parts required.
- "0.1" and "2.5" indicate the length (in meters) of the respective parts.

3.Parentheses mean that the corresponding part is a subpart that constructs an assembly part.

4.Dotted lines on the Figures indicate assembly parts.

1. リストページの# 0 1、# 0 2の印は、ページ下の"注記"の説明を参照下さい。
2. 数量欄の数字は、個数を表し、0. 1、2. 5等の数値は、長さ（単位メートル）を表します。
3. 数量欄の（ ）は、組部品を構成している子部品であることを意味します。
4. イラストページの-----枠は、組構成であることを意味します。

NUMERICAL INDEX OF PARTS

PART NO	PAGE	REF NO.	PART NO	PAGE	REF NO.	PART NO	PAGE	REF NO.
11597101	4	16	11931706	16	32	12171807	8	3
11790607	16	28	11974003	18	8	12171807	14	14
11790607	18	9	11974052	18	7	12171906	18	4
11793304	10	28	11974060	18	10	12180766	2	19
11833704	2	17	11974102	6	8	B1507804C00	2	14
11872405	8	12	11974102	8	5	B1507814B0D	8	13
11872405	10	30	11980604	16	22	B1507814B0D	10	31
11872405	14	16	11983806	16	26	B150981400P	6	9
11874005	2	13	11983855	16	24	B150981400P	8	6
11874104	4	8	11983863	16	35	B1511357000	8	14
11876554	2	12	11983905	16	27	B1511357000	10	33
11876562	2	20	11984002	16	25	B1511357000	14	19
11876653	4	7	11984101	16	30	B165780400T	4	4
11876661	4	9	11984200	16	29	B1657814B0E	4	17
11879053	8	11	11984309	16	21	B1657814B0M	8	10
11879053	10	29	12110508	2	7	B1657814B0M	10	3
11879061	8	17	12122701	2	15	MAM0750J0A0	8	19
11879061	10	35	12123006	2	16	MAM0750J0A0	10	37
11879350	6	7	12148805	2	3	MAM0760N0A0	8	20
11879350	8	4	12148854	2	2	MAM0760N0A0	10	38
11879368	6	10	12148904	2	4	MAQ141000A0	12	6
11879368	8	7	12149001	2	5	MAQ141000A0	14	9
11882008	2	8	12149100	4	2	MDC270B1400	16	36
11882107	4	3	12149407	16	20	MDC300B1100	4	6
11882404	10	27	12149407	18	2	MDCC47B0900	2	18
11883402	6	5	12152559	4	13	R4103J0BP00	2	1
11883402	8	2	12152559	6	2	R4204J0DC00	4	1
11883402	14	13	12152658	14	15	R4205J0DE00	4	10
11884509	8	9	12152666	14	21	R4205J0DE00	8	8
11884509	10	2	12152856	12	2	R4205J0EE00	4	15
11884608	18	3	12152856	14	1	R4205J0EE00	10	1
11885001	2	9	12152963	12	9	R4305J0DE00	6	1
11887205	18	5	12152963	14	5	R4305J0DE00	10	14
11888104	2	10	12157905	14	17	R4305J0DE00	12	1
11890209	2	11	12158002	12	11	R4305J0DE0A	6	4
11890209	4	5	12158002	14	6	R4305J0DE0A	14	12
11890407	16	23	12160107	4	14	R4305J0EE0A	8	1
11890407	18	6	12160107	6	3	R4305J0FE00	6	11
11892106	8	15	12160206	12	5	R4308J0DE00	16	1
11892106	10	32	12160206	14	4	R4308J0FE00	18	1
11892106	14	18	12160305	12	10	R4308J0FE0A	16	19
11894706	8	18	12160305	14	8	SD0370401SP	8	16
11894706	10	36	12160909	12	12	SD0370401SP	10	34
11894706	14	22	12160909	14	7	SD0370401SP	14	20
11930807	16	31	12171807	6	6	SS7060610SP	2	6

## NUMERICAL INDEX OF PARTS

PART NO	PAGE	REF NO.
SS7080520SP	16	34
SS7091110TP	12	7
SS7091110TP	14	10
WP0371016SD	12	8
WP0371016SD	14	11
WP0371026SD	16	33