

MODEL : AK-82/AK-83/AK-82A/AK-83A

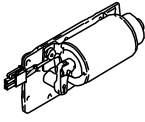

List No : 0830-04

PARTS LIST

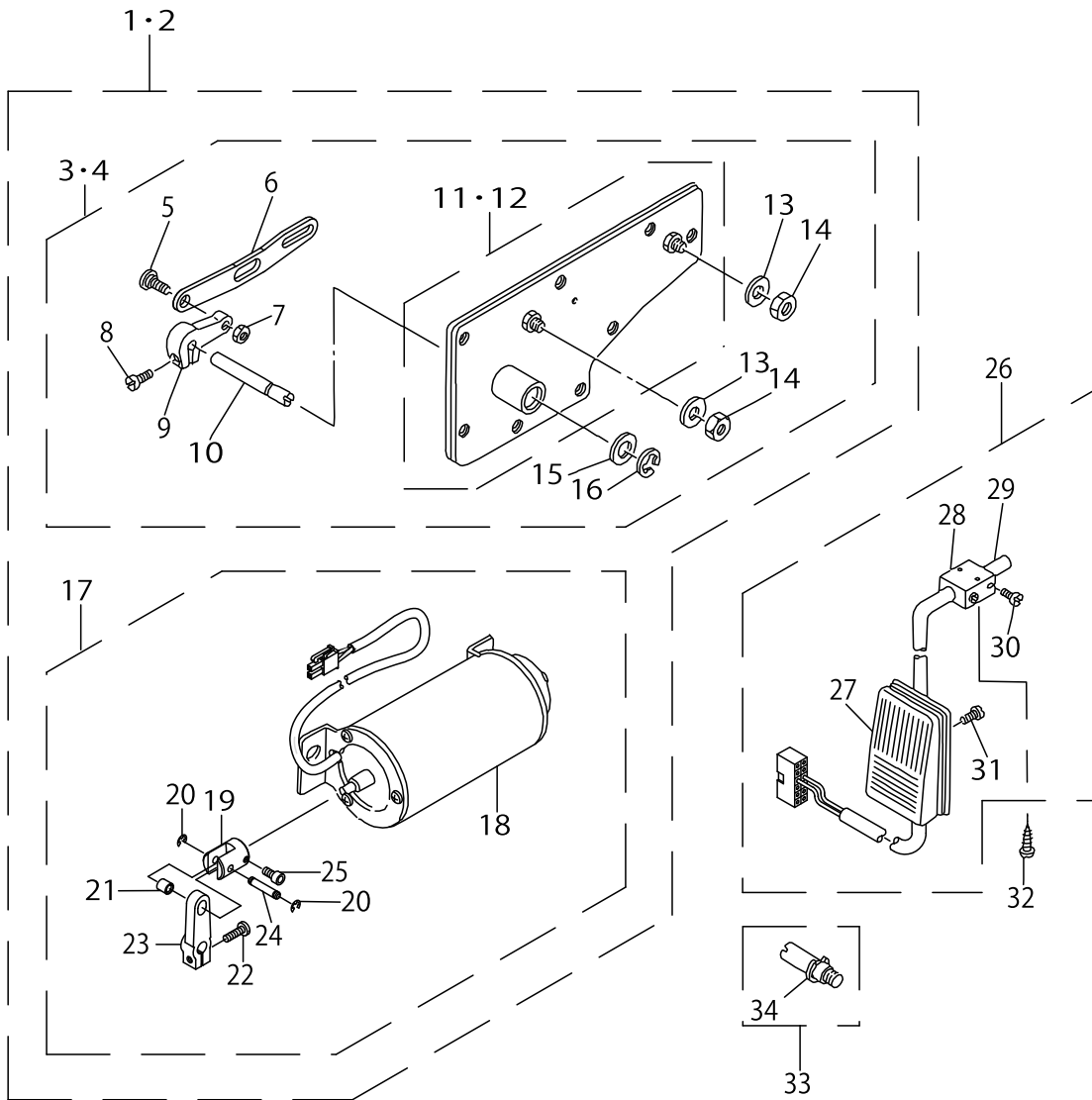
Published:05/12/2017

CONTENTS

AK-82/AK-83/AK-82A/AK-83A.....	1
HOW TO MAKE USE OF THIS PARTS LIST	3

TABLE OF UNIT COMBINATIONS ユニット組合せ表		
		
AK-82(GAK-820010AA)	○	○
AK-83(GAK-830010AA)	○	
AK-82A(GAK-82001AAA)	○	○
AK-83A(GAK-83001AAA)	○	

DEVICE 装置	APPLICABLE MODELS 適応機種
AK-82 AK-83	LZ-2280-7 LZ-2281-7 LZ-2286-7
AK-82A AK-83A	LZ-2288-7



AK-82/AK-83/AK-82A/AK-83A

No.	Supply Code	Parts No.	Replacement	Parts name	Remarks	Choice	Step	Level	Cons	Qty	Rep. QTY
1	R	GAK820100AA	GAK820010AA	AK" DEVICE ASM.	FOR AK-82,AK-83					1	1.00
2		GAK82010AAA		AK" DEVICE ASM.	FOR AK-8-2A,AK-83A					1	
3		GAK820200BA		SIDE PLATE ASM. B	FOR AK-82,AK-83			*		1	
4		GAK82020ABA		SIDE PLATE ASM. B	FOR AK-8-2A,AK-83A			*		1	
5		SD0800352SP		HINGE SCREW D= 8 H= 3.5				*		1	
6		GAK82026000		SOLENOID LINK				*		1	
7		NS6150310SP		NUT 15/64-28				*		1	
8	R	SS7121410SP	SS7121410TP	SCREW 3/16-28 L=14				*		1	1.00
9		GAK33027000		SOLENOID ARM				*		1	
10	R	GAK33028000	22991400	SOLENOID SHAFT				*		1	1.00
11	R	GAK330200AA	GAK330200BA	SIDE PLATE ASM. A	FOR AK-82,AK-83			*		1	1.00
12	D	GAK82020AAA		SIDE PLATE ASM. A	FOR AK-8-2A,AK-83A			*		1	
13		WP0621036SP		WASHER				*		2	
14		NS6150440SP		NUT 15/64-28				*		2	
15		WP1021016SD		WASHER				*		1	
16		RE0700000K0		E-RING 7				*		1	
17		40101423		AK SOLENOID ASM. B				*		1	
18	R	40090289	40101423	AK SOLENOID ASM.				*		1	1.00
19		GAK33035000		SOLENOID COLLAR				*		1	
20		RE0400000KP		E-RING 4				*		2	
21		GAK33013000		SOLENOID PIN COLLAR				*		1	
22		SM6051552TP		SCREW M5 L=15				*		1	
23		GAK33011000		SOLENOID ARM, A				*		1	
24		GAK33012000		SOLENOID PIN				*		1	
25		SM6051002TP		SCREW M5X0.8 L=10				*		1	
26		GAK840900B0		LIFTER KNEE SWITCH ASM. B						1	
27	D	GAK840900A0		KNEE SWITCH ASM. A				*		1	
28		MAT80230T00		KNEE SWITCH SUPPORT BASE				*		2	
29		MAT80231T00		DRIVING BAR, T002				*		1	
30		SS6151220SP		SCREW 15/64-28 L=11.5				*		4	
31	R	SS7111410SP	SS7111410TP	SCREW 11/64-40L=14				*		2	1.00
32	R	SK3514000SC	SK3514001SE	WOOD SCREW D=5.1 L=40						2	1.00
33		GAK330400A0		SHAFT PIN ASM.						1	
34		RE0500000K0		E-RING				*		1	

HOW TO MAKE USE OF THIS PARTS LIST

1.As to "#01" and "#02" refer to the "Note" given at the bottom of the respective pages.

2.Codes on the "Qty" column

- Each numeral indicates the number of parts required.
- "0.1" and "2.5" indicate the length (in meters) of the respective parts.

3.Parentheses mean that the corresponding part is a subpart that constructs an assembly part.

4.Dotted lines on the Figures indicate assembly parts.

1. リストページの# 0 1、# 0 2の印は、ページ下の"注記"の説明を参照下さい。
2. 数量欄の数字は、個数を表し、0. 1、2. 5等の数値は、長さ（単位メートル）を表します。
3. 数量欄の（ ）は、組部品を構成している子部品であることを意味します。
4. イラストページの-----枠は、組構成であることを意味します。

NUMERICAL INDEX OF PARTS

PART NO	PAGE	REF NO.
40090289	2	18
40101423	2	17
GAK33011000	2	23
GAK33012000	2	24
GAK33013000	2	21
GAK330200AA	2	11·12
GAK33027000	2	9
GAK33028000	2	10
GAK33035000	2	19
GAK330400A0	2	33
GAK820100AA	2	1·2
GAK82010AAA	2	1·2
GAK820200BA	2	3·4
GAK82020AAA	2	11·12
GAK82020ABA	2	3·4
GAK82026000	2	6
GAK840900A0	2	27
GAK840900B0	2	26
MAT80230T00	2	28
MAT80231T00	2	29
NS6150310SP	2	7
NS6150440SP	2	14
RE0400000KP	2	20
RE0500000K0	2	34
RE0700000K0	2	16
SD0800352SP	2	5
SK3514000SC	2	32
SM6051002TP	2	25
SM6051552TP	2	22
SS6151220SP	2	30
SS7111410SP	2	31
SS7121410SP	2	8
WP0621036SP	2	13
WP1021016SD	2	15