

MODEL : ACF-164-1851

List No : 0633-05

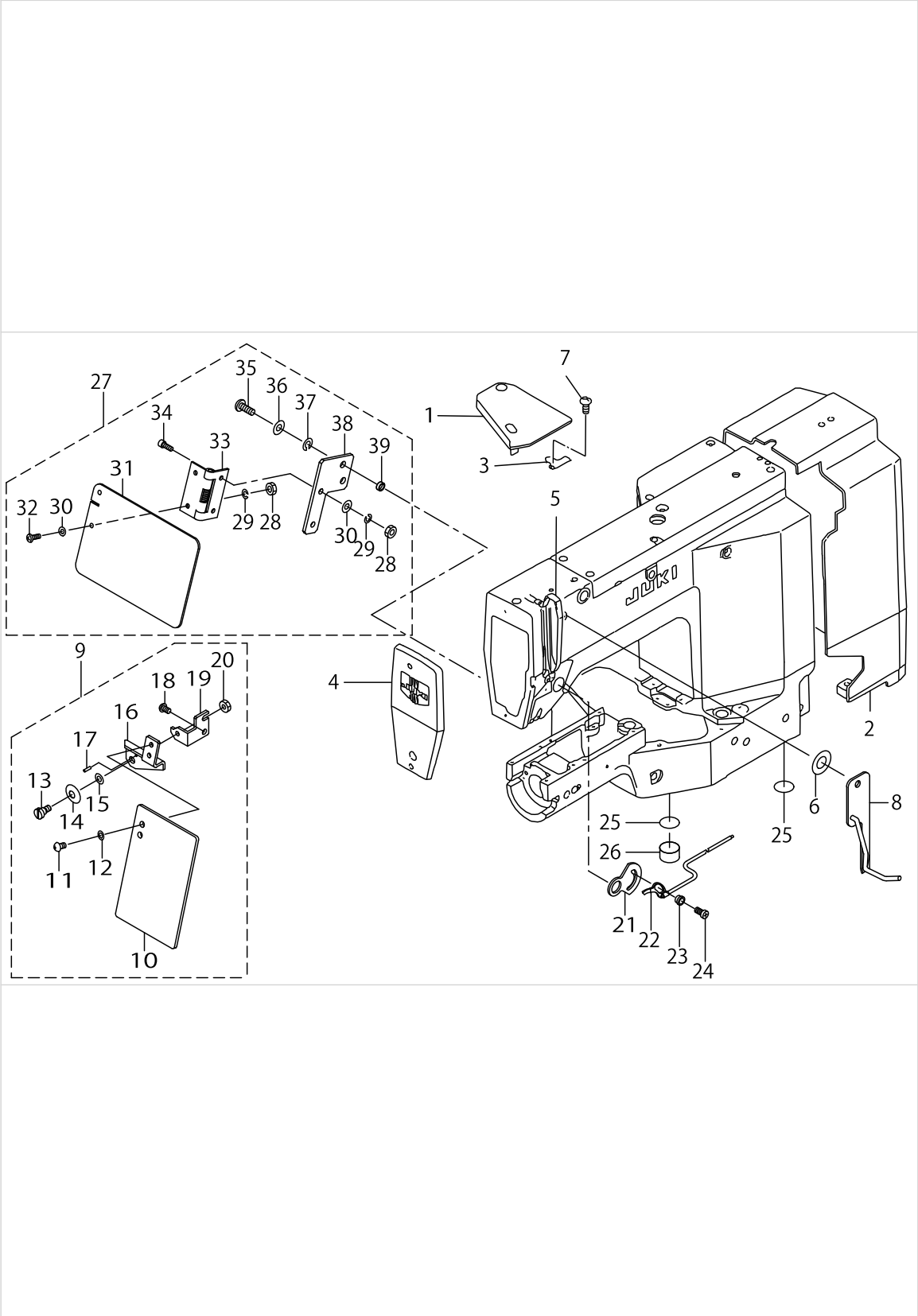
PARTS LIST

Published:05/12/2017

CONTENTS

FRAME & MICELLANEOUS COVER COMPONENTS (1).....	1
FRAME & MICELLANEOUS COVER COMPONENTS (2).....	5
FRAME & MICELLANEOUS COVER COMPONENTS (3).....	7
NEEDLE BAR COMPONENTS.....	9
THREAD TENSION RELEASE COMPONENTS.....	11
THREAD TENSION COMPONENTS.....	13
MAIN SHAFT & SHUTTLE DRIVER SHAFT COMPONENTS.....	15
KNOTTING COMPONENTS.....	17
FEED MECHANISM COMPONENTS.....	19
STOP-MOTION MECHANISM COMPONENTS.....	23
BUTTON SENSOR COMPONENTS.....	25
BUTTON CLAMP COMPONENTS (Z168 ATTACHMENT FOR MEDIUM-SIZED BUTTONS).....	27
LUBRICATION MECHANISM COMPONENTS.....	29
LK-1851 SERIES SUBCLASSES.....	31
BUTTON CLAMP COMPONENTS (Z167 ATTACHMENT FOR SMALL BUTTONS).....	33
FINE POSITION OF BUTTONS COMPONENTS (1).....	37
FINE POSITION OF BUTTONS COMPONENTS (2).....	41
CAM COMPONENTS.....	45
INDEX COMPONENTS (1).....	47
INDEX COMPONENTS (2).....	51
FEEDER BOWL COMPONENTS.....	55
ACCESSORIES COMPONENTS.....	57
FRAME COMPONENTS.....	59
COVER COMPONENTS.....	63
COVER & KNEE SWITCH COMPONENTS.....	65
SOLENOID VALVE & REGULATOR COMPONENTS.....	67
FEED MECHANISM COMPONENTS.....	69
FEED MECHANISM DRIVE & SWITCH COMPONENTS.....	73
CLAMP ARM COMPONENTS.....	77
SET PLATE COMPONENTS.....	79
FRAME & MICELLANEOUS COVER COMPONENTS (1).....	83
MACHINE TABLE COMPONENTS.....	87
CONTROL BOX COMPONENTS.....	91
PANEL CIRCUIT BOARD COMPONENTS.....	95
ASSISTANT CLAMP , LIGHT MATERIAL CLAMP & LEAD CLAMP COMPONENTS (OPTIONAL)....	97
BR-CONTROL BOX COMPONENTS.....	99
CPU CIRCUIT BOARD COMPONENTS.....	101
I/O CIRCUIT BOARD COMPONENTS.....	103
PANEL BOX COMPONENTS.....	105
STACKER CYLINDER COMPONENTS.....	107
ASSISTANT FEED PLATE COMPONENTS.....	109
NO.2 PRESSER COMPONENTS.....	111
THREAD STAND COMPONENTS.....	113
LIST FOR INFORMATION OF CHANGE (1).....	115
LIST FOR INFORMATION OF CHANGE (2).....	116
HOW TO MAKE USE OF THIS PARTS LIST.....	117

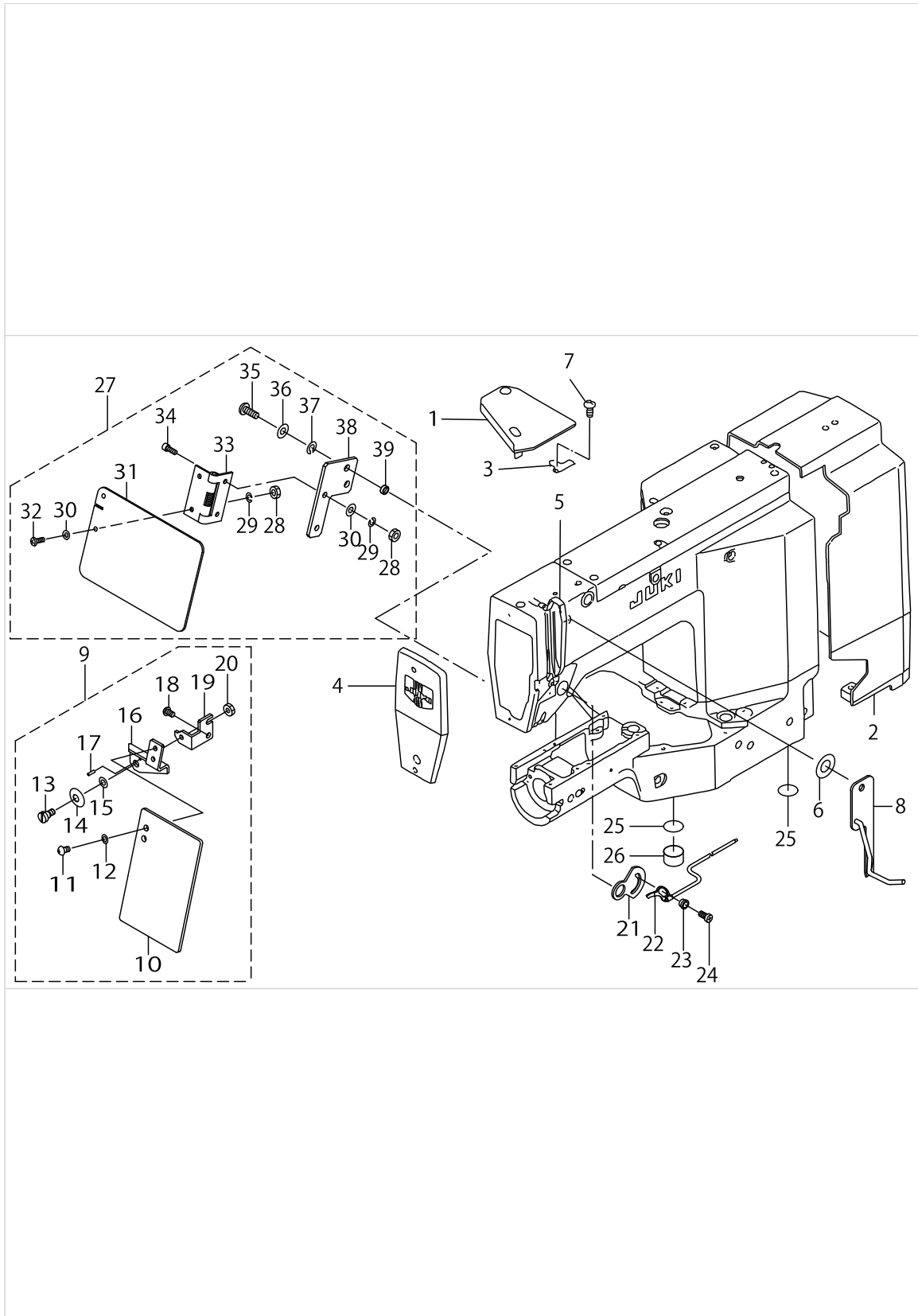
FRAME & MICELLANEOUS COVER COMPONENTS (1)



FRAME & MICELLANEOUS COVER COMPONENTS (1)

No.	Supply Code	Parts No.	Replacement	Parts name	Remarks	Choice	Step	Level	Cons	Qty	Rep. QTY
2		SM6061202TP		SCREW M6 L=12						4	
3		WS0610002KN		SPRING WASHER 6.1X12.2X1.5						4	
4		WP0641601SC		WASHER						4	
5		G5210164000		SUPPORT PLATE						2	
6		SM6030602TP		SCREW M3X0.5 L=6						4	
7		WS0310002KN		SPRING WASHER M3						4	
8		WP0320501SC		WASHER M3						4	
9		G5220164000		KNOB						2	
10		G5202164000		PILLOW INSTALLING PLATE						1	
11		SM6061202TP		SCREW M6 L=12						4	
12		WS0610002KN		SPRING WASHER 6.1X12.2X1.5						4	
13		WP0641601SC		WASHER						4	
14		G5219164000		SWITCH INSTALLING PLATE						2	
15		SM6082002TN		SCREW M8 L=20						4	
16		WS0820002KN		SPRING WASHER M8						4	
17		WP0841601SC		WASHER 8.4X17.4X1.6						8	
18		NM6080001SC		NUT M8X1.25						4	
19		G5203164000		CYLINDER HOLDER BASE						1	
20		SM6061202TP		SCREW M6 L=12						4	
21		WS0610002KN		SPRING WASHER 6.1X12.2X1.5						4	
22		WP0641601SC		WASHER						4	
23		G5217164000		CYLINDER MOUNT PLATE						2	
24		SM6061602TP		SCREW M6 L=16						4	
25		WS0610002KN		SPRING WASHER 6.1X12.2X1.5						4	
26		WP0641601SC		WASHER						4	
27		SM8040402TP		SCREW M4X0.7 L=4						2	
28		G5209164000		ADJUSTING PLATE						2	
29		G5211164000		SUPPORT						1	
30		SM6041202TP		SCREW M4X0.7 L=12						4	
31		WS0410002KN		SPRING WASHER						4	
32		WP0430801SC		WASHER 4.3X9X0.8						4	
33		G5212164000		FULCRUM PLATE						1	
34		G5234164000		PIN SUPPORT						1	
35		SM6040802TP		SCREW M4X0.7 L=8						2	
36		WS0410002KN		SPRING WASHER						2	
37		WP0430801SC		WASHER 4.3X9X0.8						2	
38		B8170220000		BED FIXED SCREW						1	
39		WS0820002KN		SPRING WASHER M8						1	
40		WP0841601SC		WASHER 8.4X17.4X1.6						1	
41		NM6080001SC		NUT M8X1.25						1	
42	D	G5213164000		CLOTH STACKER						1	
43	R	13518105	26223701	LIFTING LEVER SHAFT						1	1.00
44		RE0700000K0		E-RING 7						2	
45		G5022164000		CUSHION						1	
46		G5214164000		SPRING						1	
47		G5215164000		FIXED PLATE						1	

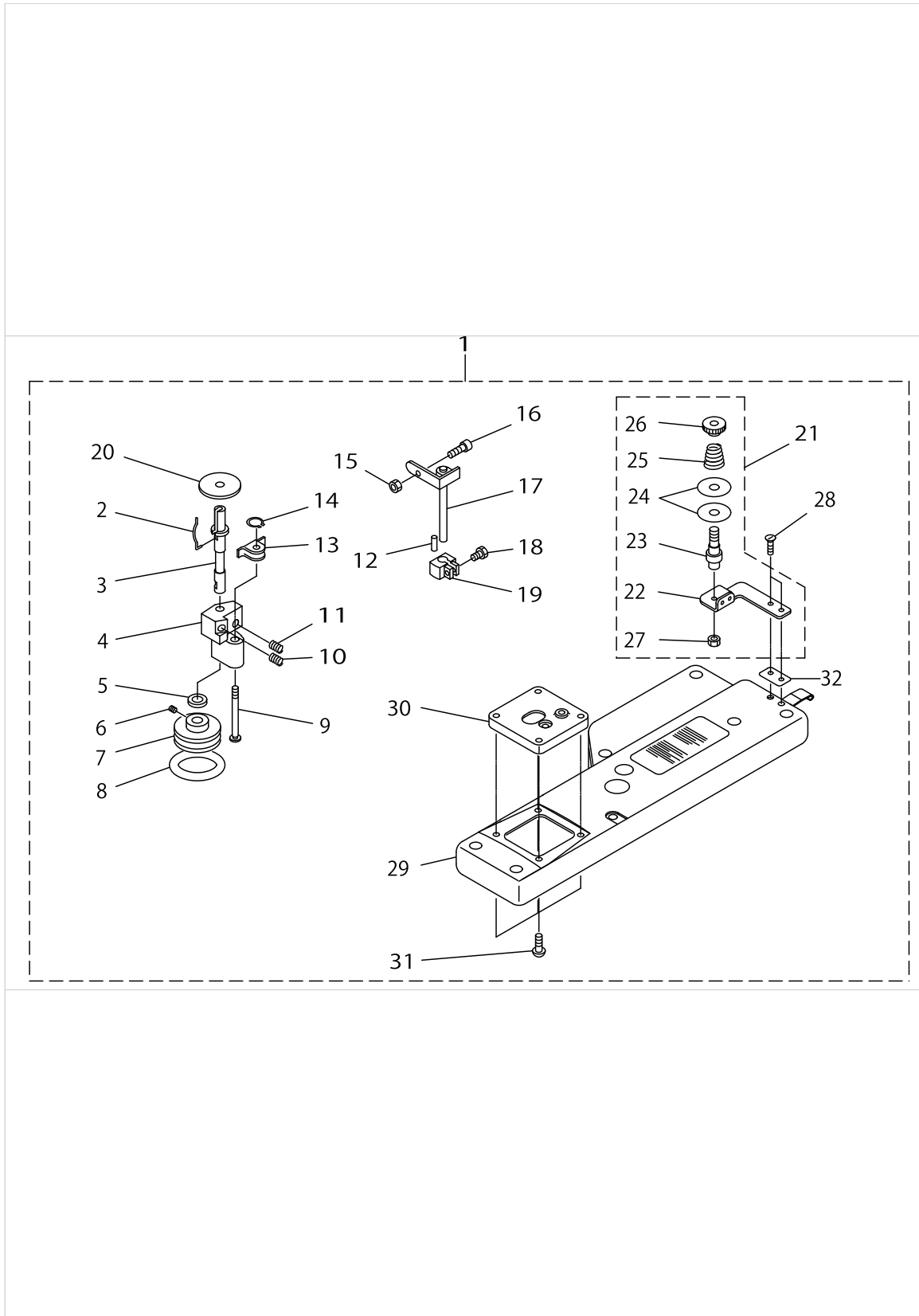
FRAME & MICELLANEOUS COVER COMPONENTS (1)



FRAME & MICELLANEOUS COVER COMPONENTS (1)

No.	Supply Code	Parts No.	Replacement	Parts name	Remarks	Choice	Step	Level	Cons	Qty	Rep. QTY
48		SM6030602TP		SCREW M3X0.5 L=6						2	
49		WS0310002KN		SPRING WASHER M3						2	
50		WP0320501SC		WASHER M3						2	
51		G5235164000		SLIDER						2	
52		SM6030802TP		SCREW M3X0.5 L=8						6	
53		WS0310002KN		SPRING WASHER M3						6	
54		WP0320501SC		WASHER M3						6	
55		CM3002000B1		LABEL(16)	FOR JAPAN					1	
56		CM300200003		ATTENTION LABEL	FOR JE					1	

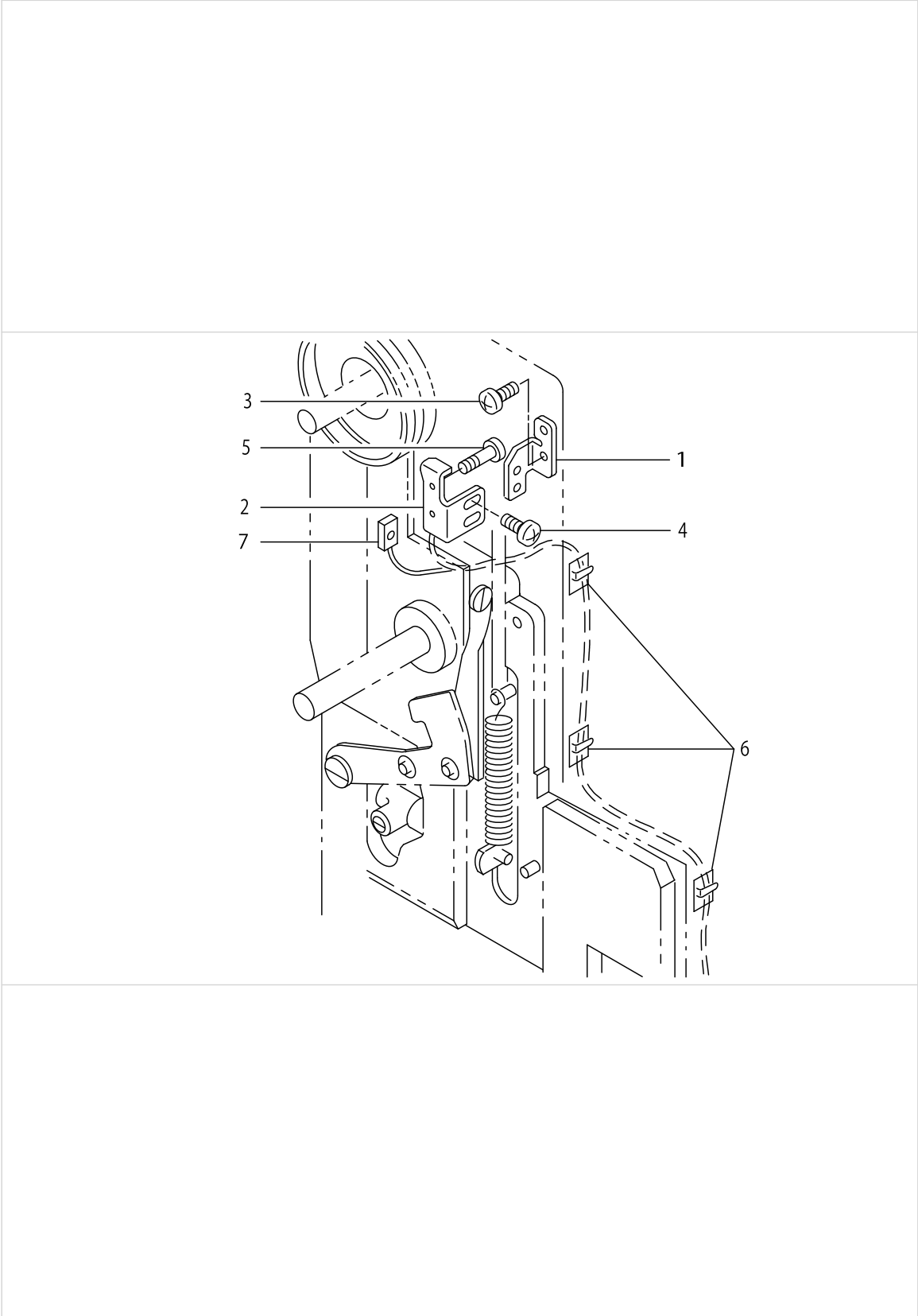
FRAME & MICELLANEOUS COVER COMPONENTS (2)



FRAME & MICELLANEOUS COVER COMPONENTS (2)

No.	Supply Code	Parts No.	Replacement	Parts name	Remarks	Choice	Step	Level	Cons	Qty	Rep. QTY
1	D	MAZ165230A0		ARM COVER ASM.						1	
2		B3212761000		LATCH SPRING				*		1	
3		B3204210000		SPINDLE				*		1	
4		B3210210000		BOBBIN WINDER BASE				*		1	
5		WP0651056SH		WASHER 6.5X11X1				*		1	
6		SS8110520TP		SCREW 11/64-40 L= 4.5				*		2	
7		B3211210000		BOBBIN WINDER WHEEL				*		1	
8		B3212210000		FRICTION WHEEL				*		1	
9		B3206210000		SCREW STUD				*		1	
10		B3209210000		SPRING B				*		1	
11		B3208210000		SPRING A				*		1	
12		PS0150065KP		SPRING PIN 1.5X6				*		1	
13		B3207210000		TRIP LATCH				*		1	
14		D2430555B00		SNAP RING				*		1	
15		NS6110530SP		NUT 11/64-40				*		1	
16		B3208280000		BOBBIN WINDER A-DJUSTING SCREW				*		1	
17		B32012100A0		STOP LATCH ASM.				*		1	
18		SS9111020TP		SCREW11/64-40L=10				*		1	
19		B3203210000		CAM				*		1	
20		B3205210000		CUSHION				*		1	
21	D	MAZ165250A0		THREAD GUIDE BASE ASM.				*		1	
22	R	MAZ16525000	MAZ165250A0	BOBBIN WINDER TENSION BRACKET				*		1	1.00
23		B3219232000		BOBBIN WINDER TENSION POST				*		1	
24	R	B3214047000	22945802	BOBBIN WINDER TENSION DISC				*		2	1.00
25		B3218232000		BOBBIN WINDER TENSION SPRING				*		1	
26		B3216047000		BOBBIN WINDER TENSION NUT				*		1	
27		NS6110310SP		NUT 11/64-40				*		1	
28		SS4091015SP		SCREW 9/64-40 L=10				*		2	
29	D	MAZ16523000		ARM COVER				*		1	
30		MAZ16524000		BOBBIN WINDER BASE				*		1	
31		SS7110710SP		SCREW 11/64-40 L=7				*		4	
32	D	MAZ16538000		BRACKET SPACER				*		1	

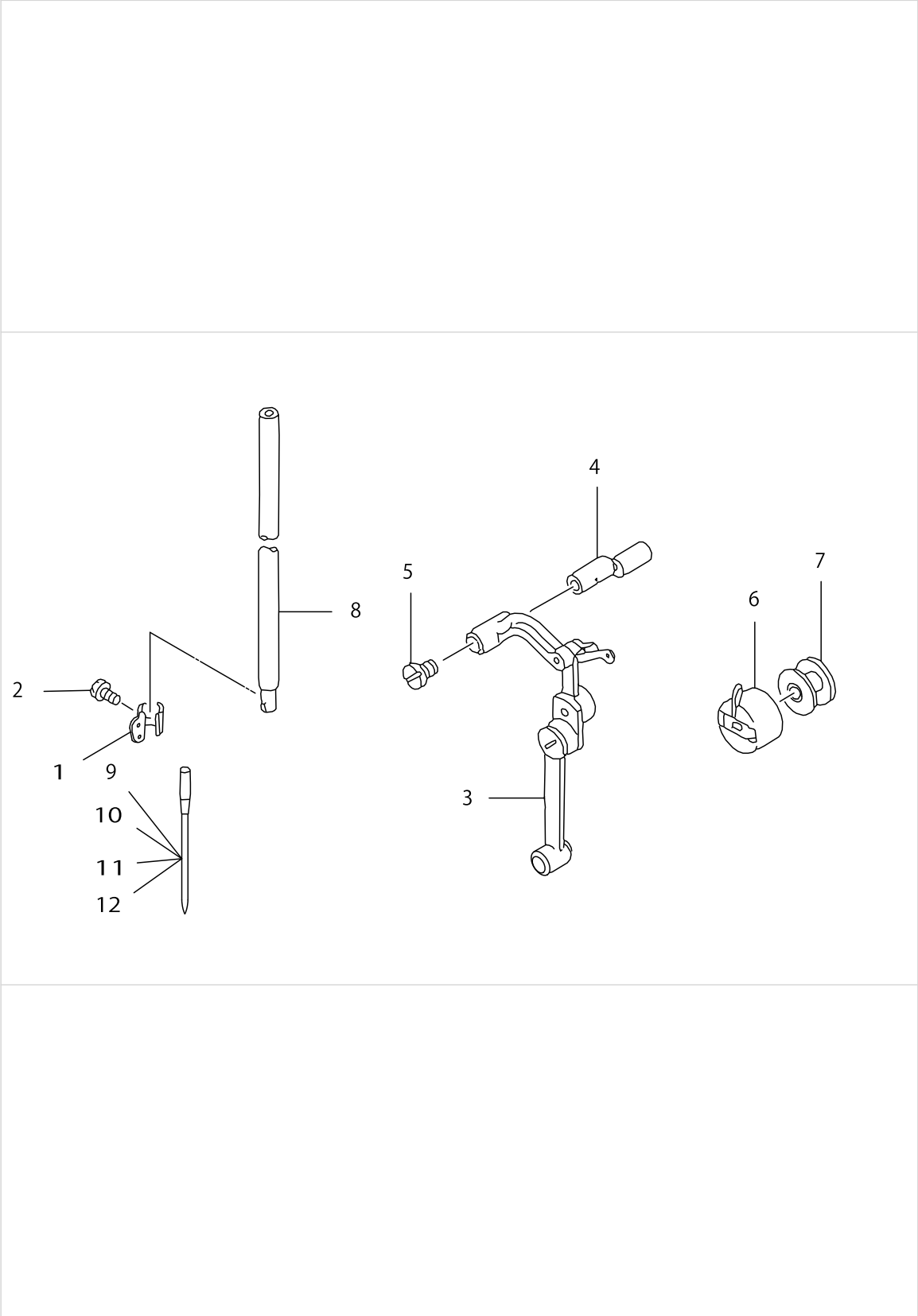
FRAME & MICELLANEOUS COVER COMPONENTS (3)



FRAME & MICELLANEOUS COVER COMPONENTS (3)

No.	Supply Code	Parts No.	Replacement	Parts name	Remarks	Choice	Step	Level	Cons	Qty	Rep. QTY
1	D	MAZ16534000		SENSOR MOUNT BASE						1	
2	D	MAZ16533000		SENSOR MOUNT PLATE						1	
3		SS7110840SP		SCREW 11/64-40 L=7.8						1	
4		SS7110510SP		SCREW 11/64-40 L=5						2	
5		SM1030801SC		SCREW M3 L=8						1	
6	D	HX003330000		CORD CLAMP						3	
7	D	MAZ167810A0		SWITCH ASM.						1	

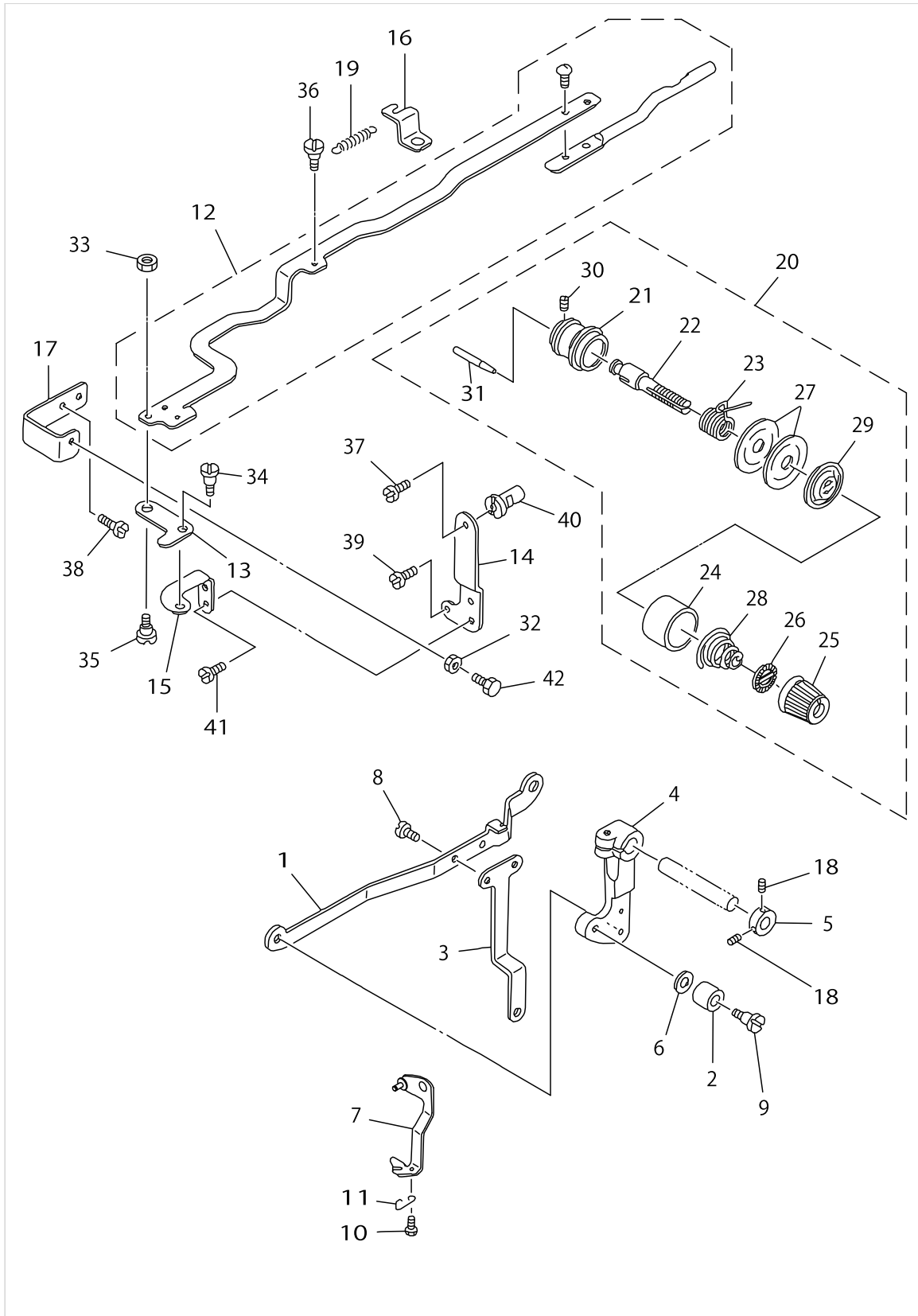
NEEDLE BAR COMPONENTS



NEEDLE BAR COMPONENTS

No.	Supply Code	Parts No.	Replacement	Parts name	Remarks	Choice	Step	Level	Cons	Qty	Rep. QTY
1		D1405M7WF00		NEEDLE BAR THREAD GUIDE						1	
2		SS7080510TP		SCREW 1/8-44 L=4.5						1	
3		D1901L7VVB0		THREAD TAKE-UP LEVER ASM.						1	
4		D1904L7VV00		LINK TAKE-UP LEVER PIN, HEAVY						1	
5		D1906L7VV00		SET SCREW						1	
6		13812102		BOBBIN						1	
7		B18289800BB		BOBBIN CASE ASM. (RACING PREVE						1	
8	D	D1401L7VV00		NEEDLE BAR						1	
9		MDP170B1400		NEEDLE DPX17 #14						1	
10		MDP170B1600		NEEDLE DPX17 #16	SELECTIVE PARTS					1	
11	D	MC372000900		NEEDLE 135X17 #90	SELECTIVE PARTS					1	
12	D	MC372001000		NEEDLE SY3355 100	SELECTIVE PARTS					1	

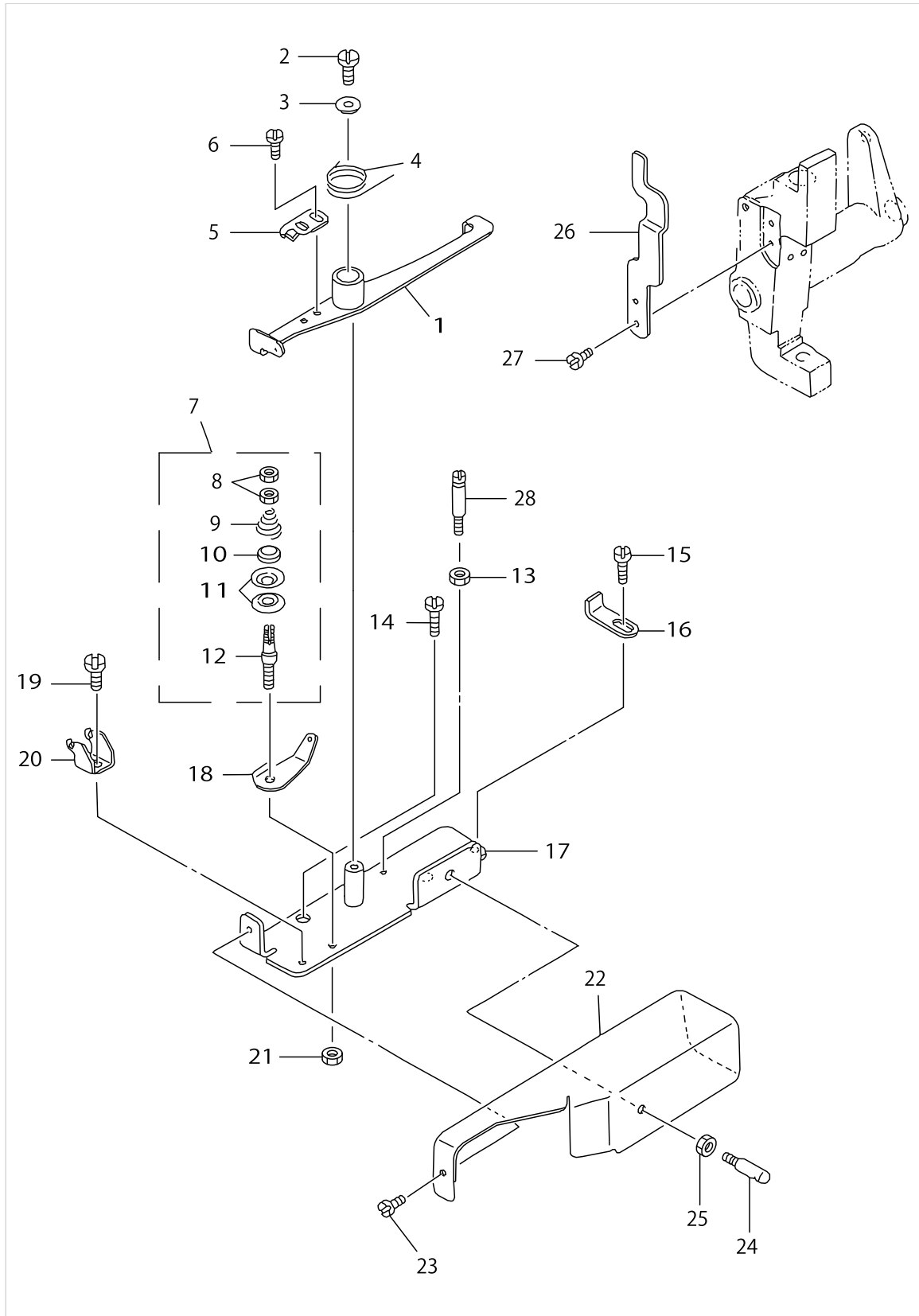
THREAD TENSION RELEASE COMPONENTS



THREAD TENSION RELEASE COMPONENTS

No.	Supply Code	Parts No.	Replacement	Parts name	Remarks	Choice	Step	Level	Cons	Qty	Rep. QTY
1		13805601		CONNECTING SHAFT						1	
2	D	13805700		CAM ROLL						1	
3	D	13805809		MOVING PLATE						1	
4		13541305		CONNECTING ARM						1	
5		CS1001011SH		THRUST COLLAR						1	
6		WP0621026SP		WASHER 6.2X9.5X1						1	
7	D	MAZ165390A0		WIPER ASM.						1	
8		SS7110510SP		SCREW 11/64-40 L=5						2	
9		SD0791271SP		HINGE SCREW D= 7.94 H=12.7						1	
10	D	13806005		SPRING						1	
11		SS5060310SP		SCREW 3/32-56 L=2.8						1	
12		13807052		CONNECTING SHAFT ASM.						1	
13		13807102		MOVING LINK						1	
14		13807201		MOUNTING PLATE						1	
15		13807300		MOUNTING BASE						1	
16		13807409		SPRING HOOK						1	
17		13807508		MOVING PLATE						1	
18		SS8660610TP		SCREW 1/4-40 L=6						2	
19		10519205		SPRING						1	
20	D	MAZ167310A0		THREAD TENSION NO.2 COMPL.						1	
21		B2313280000		THREAD TENSION ROD, LARGE				*		1	
22	R	B2303220000	B23042200A0	TENSION RELEASE ARM BOSS				*		1	1.00
23		B3112761000		THREAD TAKE-UP SPRING				*		1	
24		B3107804000		THREAD TENSION DISK PRESSER				*		1	
25		13817408		THREAD TENSION NUT				*		1	
26		B3120125000		ROTATING STOPPER				*		1	
27	R	B3126012000	22921506	THREAD TENSION DISK				*		2	1.00
28		B3114232000		THREAD TENSION SPRING				*		1	
29		B3132552000		THREAD TENSION DISK PRESSER				*		1	
30		SS8090610SP		SCREW 9/64-40 L=5.9				*		1	
31		G2303270000		THREAD RELEASE PIN				*		1	
32		NS6110350SP		NUT 11/64-40						1	
33		NS6110430SP		NUT 11/64-40						1	
34		SD0640321SP		HINGE SCREW D= 6.35 H= 3.2						1	
35		SD0640326TP		HINGE SCREW						1	
36		SD0640602SP		HINGE SCREW D= 6.35 H= 6.0						1	
37		SS4120915SP		SCREW 3/16-28 L=9						1	
38		SS4120915SP		SCREW 3/16-28 L=9						2	
39		SS6121050SP		SCREW 3/16-28 L=9.5						1	
40		13807904		THREAD TRIMMER ARM SHAFT						1	
41		SS7110410SP		SCREW 11/64-40 L=4						2	
42	R	SS9111013SP	SS9111010SP	SCREW 11/64-40 L=9.5						1	1.00

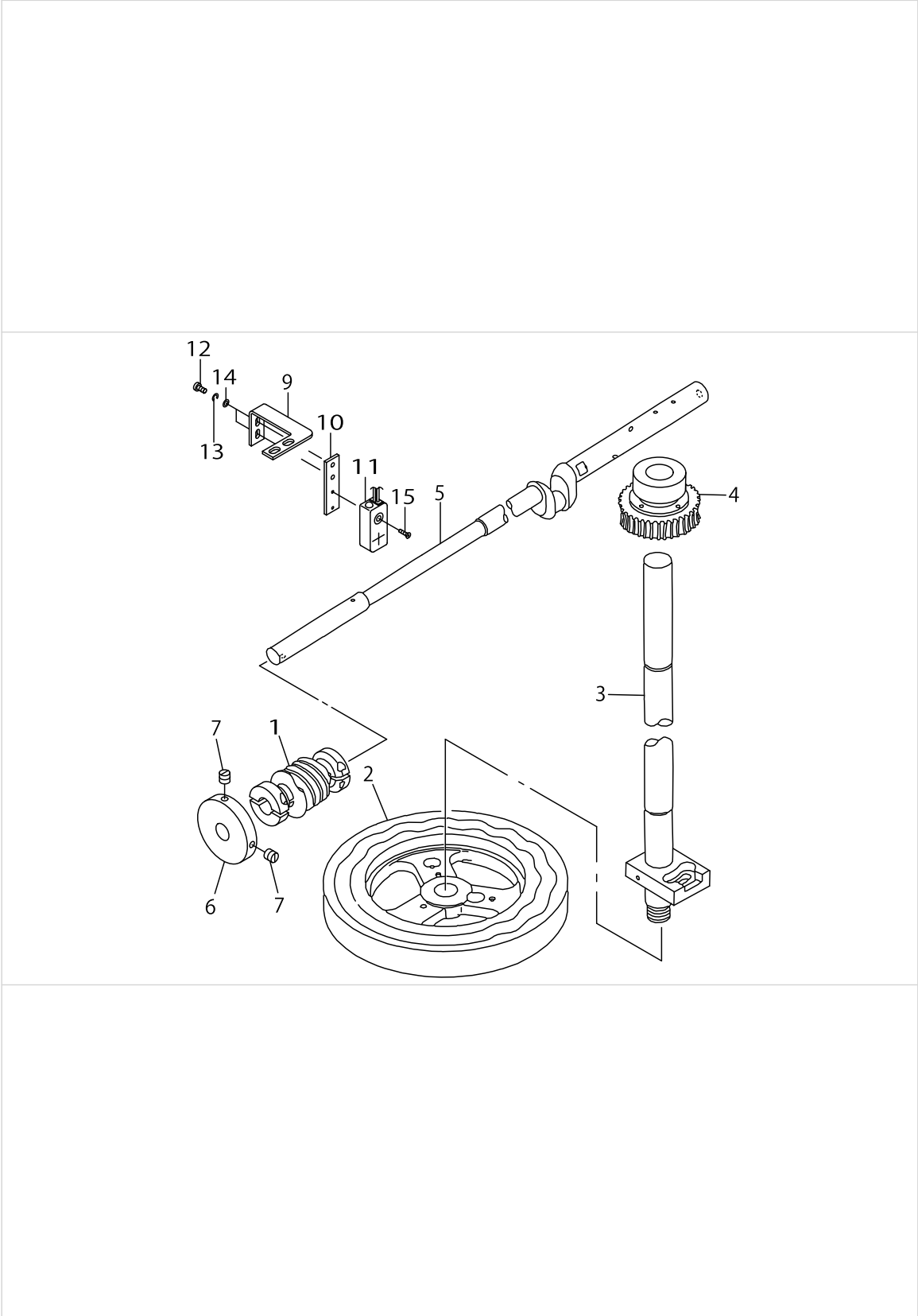
THREAD TENSION COMPONENTS



THREAD TENSION COMPONENTS

No.	Supply Code	Parts No.	Replacement	Parts name	Remarks	Choice	Step	Level	Cons	Qty	Rep. QTY
1		13808159		THREAD TENSION LEVER ASM.						1	
2		SS7110840SP		SCREW 11/64-40 L=7.8						1	
3		WP0551626SD		WASHER 5.5X22.0X1.6						1	
4		13809009		SPRING						1	
5		SS7110510SP		SCREW 11/64-40 L=5						1	
6		13809157		THREAD TENSION ASM.						2	
7		B3218232000		BOBBIN WINDER TENSION SPRING						1	
8		NS6110310SP		NUT 11/64-40				*		2	
9		B3218232000		BOBBIN WINDER TENSION SPRING				*		1	
10	R	B3214047000	22945802	BOBBIN WINDER TENSION DISC				*		2	1.00
11		B2351180000		STUD				*		1	
12		13737507		SUSPENSION SCREW B				*		1	
13		NS6120310SP		NUT 3/16-28						1	
14		SS7150740SP		SCREW 15/64-28 L=7						2	
15		SS6110610TP		SCREW 11/64-40 L=6						1	
16	D	13808506		THREAD TENSION STOPPER						1	
17	D	13808852		THREAD TENSION BASE ASM.						1	
18		D3162555B00		THREAD GUIDE						1	
19		SS6110610TP		SCREW 11/64-40 L=6						1	
20	D	13808407		THREAD TENSION GUIDE						1	
21		NS6110350SP		NUT 11/64-40						1	
22		13808902		THREAD TENSION COVER						1	
23		SS6110610TP		SCREW 11/64-40 L=6						1	
24	R	B1123280000	26212001	FIRST THREAD GUIDE						1	1.00
25		NS6150310SP		NUT 15/64-28						1	
26		13808308		THREAD TENSION ARM						1	
27		SS6120620TP		SCREW						2	
28		13737507		SUSPENSION SCREW B						1	

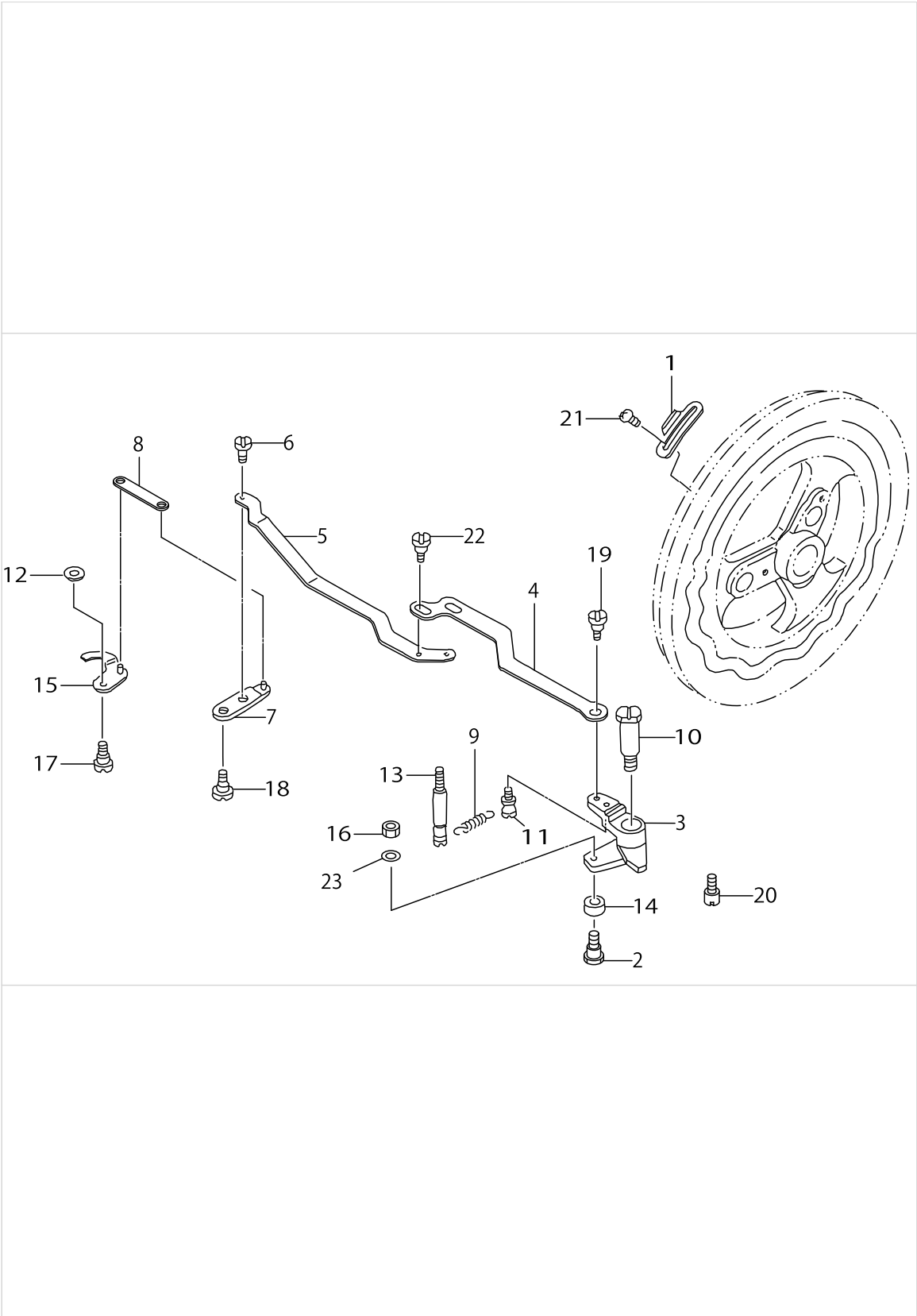
MAIN SHAFT & SHUTTLE DRIVER SHAFT COMPONENTS



MAIN SHAFT & SHUTTLE DRIVER SHAFT COMPONENTS

No.	Supply Code	Parts No.	Replacement	Parts name	Remarks	Choice	Step	Level	Cons	Qty	Rep. QTY
1	R	13806203	13806252	WORM 18 STITCHES						1	1.00
2		13806302		FEED CAM 18 STITCHES						1	
3	D	13806450		CAM SHAFT ASM.						1	
4		13806559		WORM WHEEL 18 STITCHES						1	
5		13806104		MAIN SHAFT						1	
6	D	B3213210000		BOBBIN WINDER DRIVING WHEEL						1	
7		SS8111610SP		SCREW 11/64-40 L=15.5						2	
8	D	B12629800A0		THRUST COLLAR ASM.						1	
9	D	MAZ16742000		ADJUSTING PLATE						1	
10	D	MAZ16743000		BRACKET						1	
11		MAZ089830A0		UPPER POSITION S- ENSOR SW ASM.						1	
12		SM6030802TP		SCREW M3X0.5 L=8						2	
13		WS0310002KN		SPRING WASHER M3						2	
14		WP0320501SC		WASHER M3						2	
15		SM1020801SD		SCREW						1	

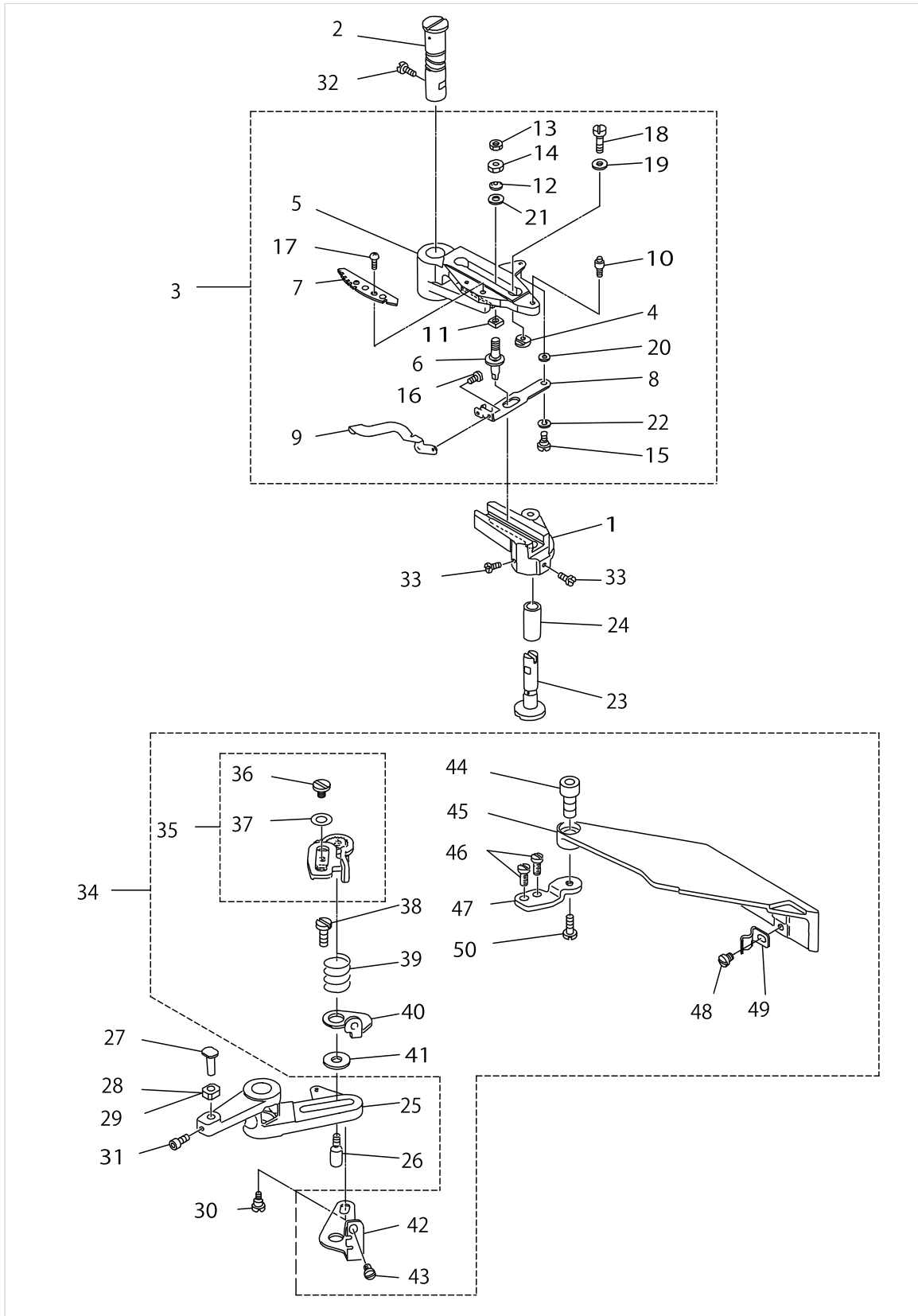
KNOTTING COMPONENTS



KNOTTING COMPONENTS

No.	Supply Code	Parts No.	Replacement	Parts name	Remarks	Choice	Step	Level	Cons	Qty	Rep. QTY
1	D	13812508		NOTCH 18 STITCHES						1	
2	D	13812607		BEARING						1	
3		13812706		MOVING ARM						1	
4		13812805		CONNECTING SHAFT						1	
5	D	13812904		CONNECTING PLATE						1	
6		13813001		CONNECTING PLATE BOSS						1	
7		13813159		KNOT THE THREAD LEVER ASM.						1	
8	D	13813209		KNOT THE THREAD LINK						1	
9		13813308		SPRING						1	
10	D	13813407		MOVING SHAFT						1	
11	R	B1110280000	26017400	THREAD CUTTING LINK SPRING RAC						1	1.00
12		B242328000D		MOVING KNIFE WASHER D						1	
13		B3518352000		OIL DRAIN SCREW						1	
14		D2427555B00B		CAM ROLLER						1	
15		D2713M1YCA0		KNOT TYING PLATE ASM.						1	
16		NS6090310SP		NUT 9/64-40						1	
17		SD0500091TP		HINGE SCREW D= 5.0 H= 0.9						1	
18		SD0550271TP		HINGE SCREW D= 5.50 H= 2.7						1	
19		SD0600322SD		HINGE SCREW D=6 H=3.2						1	
20	D	13813506		STOPPER						1	
21		SS6090520SP		SCREW 9/64-40 L=5.0						2	
22		SS9110543CP		SCREW 11/64-40 L=5.3						2	
23		WP0450000SD		WASHER 4.5X8X0.5						1	

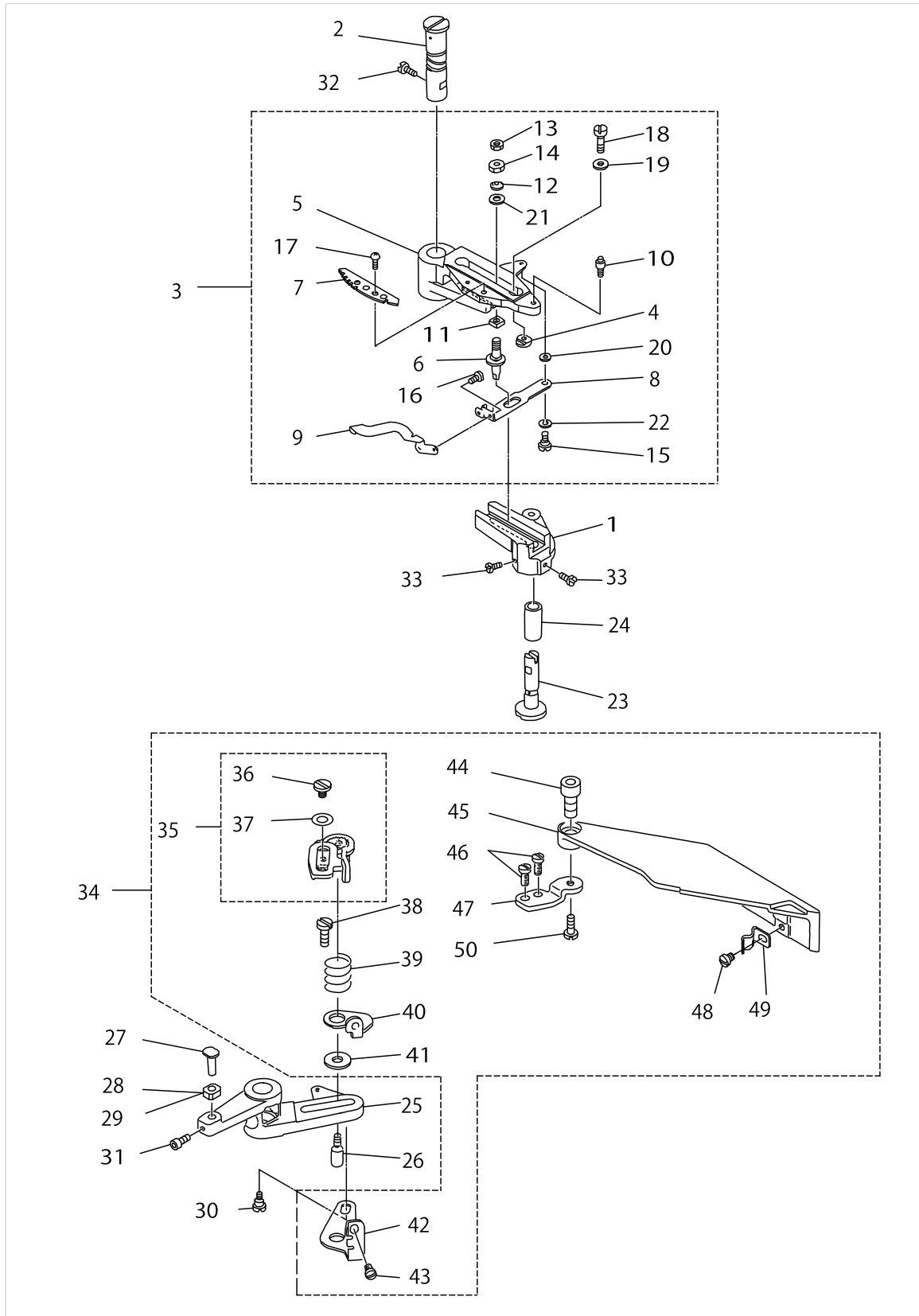
FEED MECHANISM COMPONENTS



FEED MECHANISM COMPONENTS

No.	Supply Code	Parts No.	Replacement	Parts name	Remarks	Choice	Step	Level	Cons	Qty	Rep. QTY
1		13809306		LENGTHWISE FEED ARM						1	
2		13809405		LENGTHWISE FEED SHAFT						1	
3	D	13809553		LENGTHWISE FEED LEVER ASM.						1	
4		13809207		LENGTHWISE STOPPER				*		1	
5		13809504		LENGTHWISE FEED LEVER				*		1	
6		13809801		LENGTHWISE FEED REGULATOR STUD				*		1	
7		13809900		ADJUSTING GRADUATE PLATE				*		1	
8		13810007		LENGTHWISE ADJUSTING LEVER A				*		1	
9		13810106		LENGTHWISE ADJUSTING LEVER B				*		1	
10	R	13517404	26223503	HINGE STUD				*		1	1.00
11	D	B1663804000		SLIDE BLOCK				*		1	
12		B3125155000		DISK SPRING				*		1	
13		NS6150350SP		NUT 15/64-28				*		1	
14		NS6150440SP		NUT 15/64-28				*		1	
15		SD0640241SP		HINGE SCREW D= 6.35 H= 2.4				*		1	
16		SS4090415SP		SCREW 9/64-40 L=4				*		2	
17		SS4110515SP		SCREW 11/64-40 L=5				*		2	
18		SS6111140SP		SCREW 11/64-40 L=11				*		1	
19		WP0482086SD		WASHER 4.8X11.5X2				*		1	
20		WP0501016SD		WASHER 5X10.5X1				*		1	
21		WP0702026SP		WASHER 7X15X2				*		1	
22		WZ0641510KP		WAVED WASHER 6.4X11X0.3				*		1	
23		13809603		LENGTHWISE FEED LEVER SHAFT						1	
24		13809702		LENGTHWISE FEED BUSH						1	
25		13810205		CROSSWISE FEED ARM						1	
26	R	13516505	26222901	FEED REGULATOR STUD						1	1.00
27	R	13517206	26223305	SLIDE BLOCK STUD						1	1.00
28		B141423200A		CRANK SLIDE BLOCK	SELECTIVE PART					1	
29		B1414232000		SQUARE BLOCK						1	
30		SD0530221SP		HINGE SCREW D= 5.3 H= 2.2						1	
31		SS6151142TP		SCREW 15/64-28 L=10.5						1	
32		SS6151220SP		SCREW 15/64-28 L=11.5						1	
33		SS9661230CP		SCREW 1/4-40 L=12						2	
34		MAZ165300A0		FEED ACROSS ADJUSTMENT ASM.						1	
35		GAF010020B0		FIXED LEVER PLATE ASM.				*		1	
36		SD0640321SP		HINGE SCREW D= 6.35 H= 3.2				*		1	
37		WP0651056SH		WASHER 6.5X11X1				*		1	
38		SS6151220SP		SCREW 15/64-28 L=11.5				*		1	
39		GAF01007000		SPRING				*		1	
40		GAF01009000		PLATE				*		1	
41		WP0611626SP		WASHER 15X6X1.6				*		1	
42		MAZ16530000		LEVER				*		1	
43		SS7110410SP		SCREW 11/64-40 L=4				*		1	
44		MAZ16531000		BED COVER A PICK-UP				*		1	
45		MAZ16535000		BED COVER A				*		1	

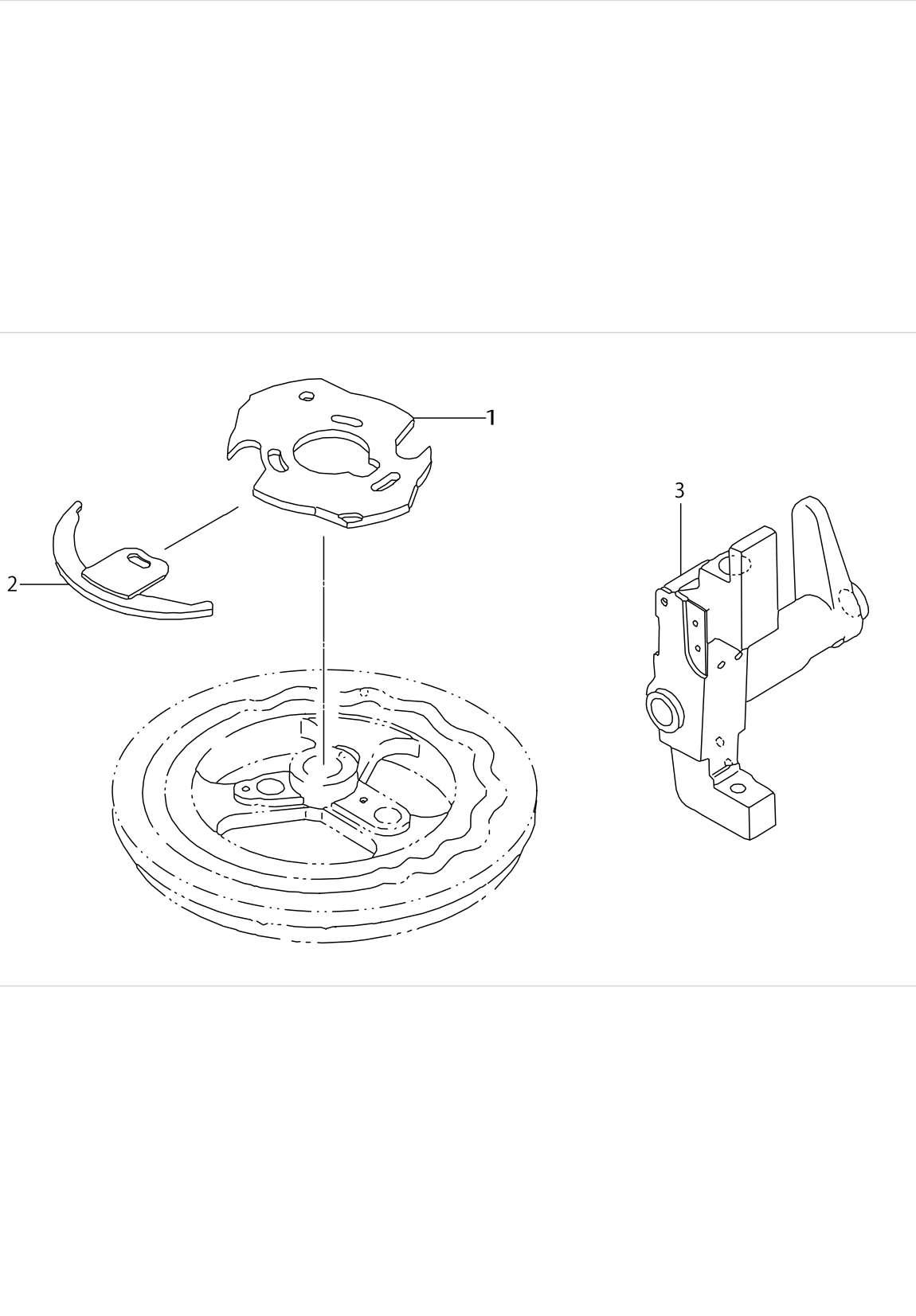
FEED MECHANISM COMPONENTS



FEED MECHANISM COMPONENTS

No.	Supply Code	Parts No.	Replacement	Parts name	Remarks	Choice	Step	Level	Cons	Qty	Rep. QTY
46		SS7110910TP		SCREW 11/64-40 L= 8.5				*		2	
47		GAF01012000		BED COVER INSTALLING PLATE				*		1	
48		SS7110410SP		SCREW 11/64-40 L=4				*		1	
49	D	MAZ16532000		SPRING FOR BED COVER (A)				*		1	
50		SS7111410TP		SCREW11/64-40L=14				*		1	

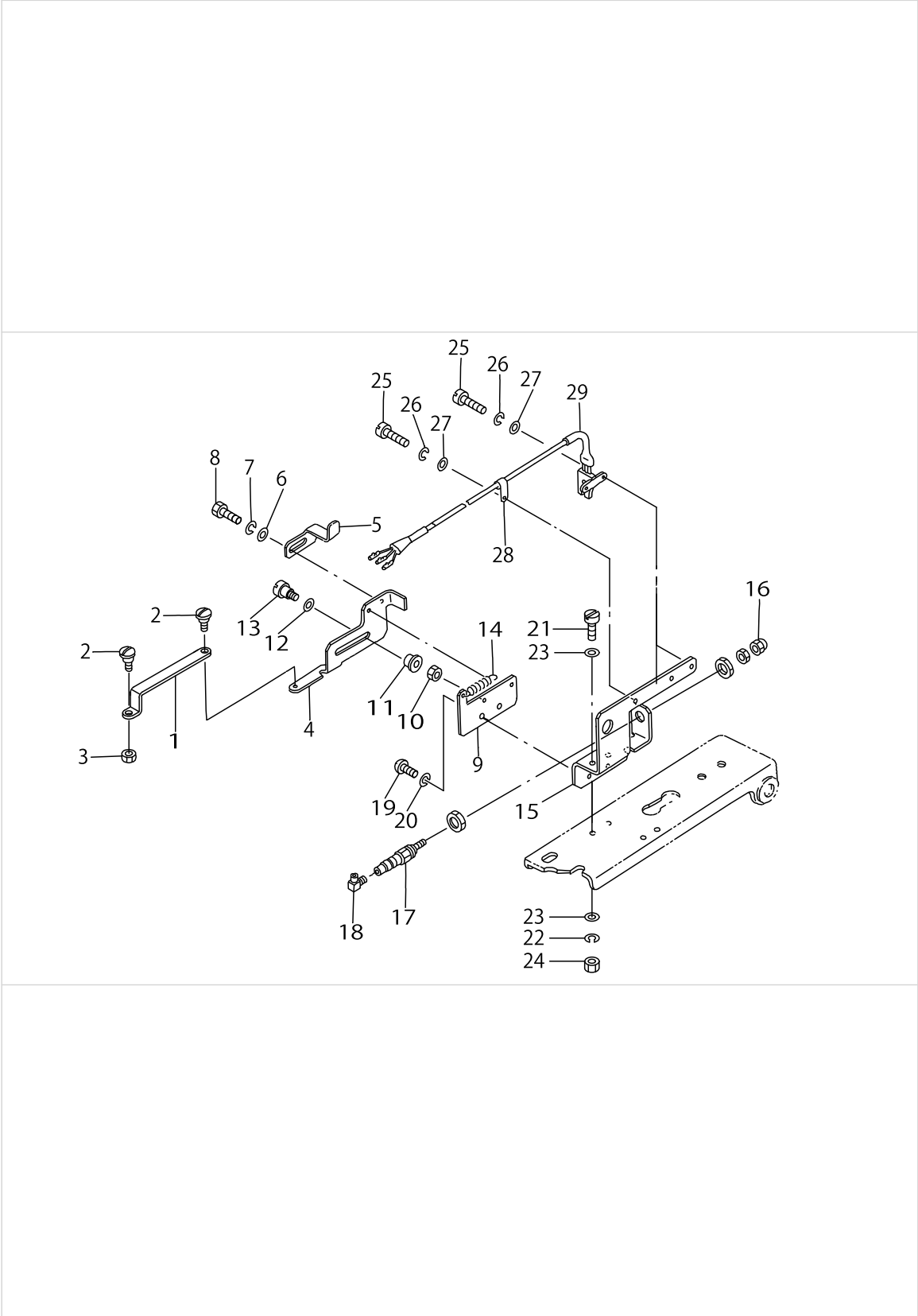
STOP-MOTION MECHANISM COMPONENTS



STOP-MOTION MECHANISM COMPONENTS

No.	Supply Code	Parts No.	Replacement	Parts name	Remarks	Choice	Step	Level	Cons	Qty	Rep. QTY
1	D	13813704		STOP MOTION CONTROL CAM						1	
2		13813803		STOP MOTION FEED CAM						1	
3	D	13813605		STOPMOTIONFRAME						1	

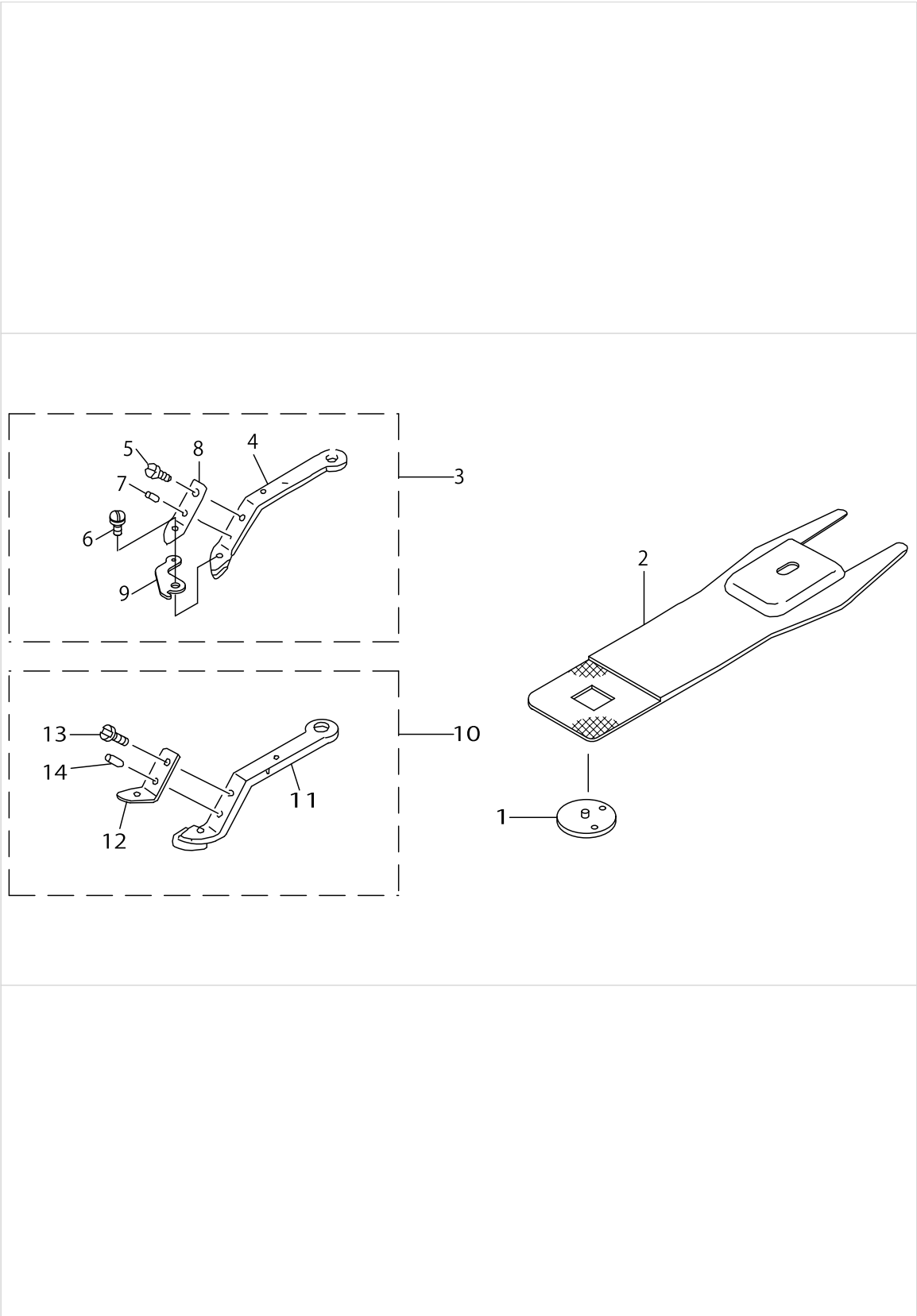
BUTTON SENSOR COMPONENTS



BUTTON SENSOR COMPONENTS

No.	Supply Code	Parts No.	Replacement	Parts name	Remarks	Choice	Step	Level	Cons	Qty	Rep. QTY
1		MAZ08920000A		LINK SHAFT						1	
2		MAZ08921000		LINK SCREW, B						2	
3		NM6860003SC		NUT M2.6						1	
4		MAZ08919000		SLIDER LINK						1	
5		MAZ16722000		PLATE						1	
6		WP0320501SC		WASHER M3						1	
7		WS0310002KN		SPRING WASHER M3						1	
8		SM6030602TP		SCREW M3X0.5 L=6						1	
9	D	MAZ16726000		PLATE						1	
10		NS6080210SP		NUT 1/8-44						2	
11		MAZ16723000		BEARING						2	
12		WP0451026SH		WASHER						2	
13		SD0450403TP		HINGE SCREW						2	
14		D3149141E00		SPRING						1	
15	D	MAZ16718000		PLATE						1	
16		NM7030510SA		NUT M3						1	
17		PA0601004A0		AIR CYLINDER						1	
18		PJ046052503		HOSE ELBOW						1	
19	R	SS4080610SP	SS4080620TP	SCREW 1/8-44 L=6.4						2	1.00
20		WS0310002KN		SPRING WASHER M3						2	
21		SS6111620SP		SCREW 11/64-40 L=16.0						2	
22		WS0451040KP		SPRING WASHER 4.5X8.5X1						2	
23		WP0451026SD		WASHER						4	
24		NS6110420SP		NUT 11/64-40						2	
25		SS6080810SP		SCREW 1/8-44 L= 8.0						3	
26		WS0310002KN		SPRING WASHER M3						3	
27		WP0320501SC		WASHER M3						3	
28		HX00150000A		CABLE CLAMP						1	
29		MAZ167820A0		SENSOR SWITCH ASM.						1	

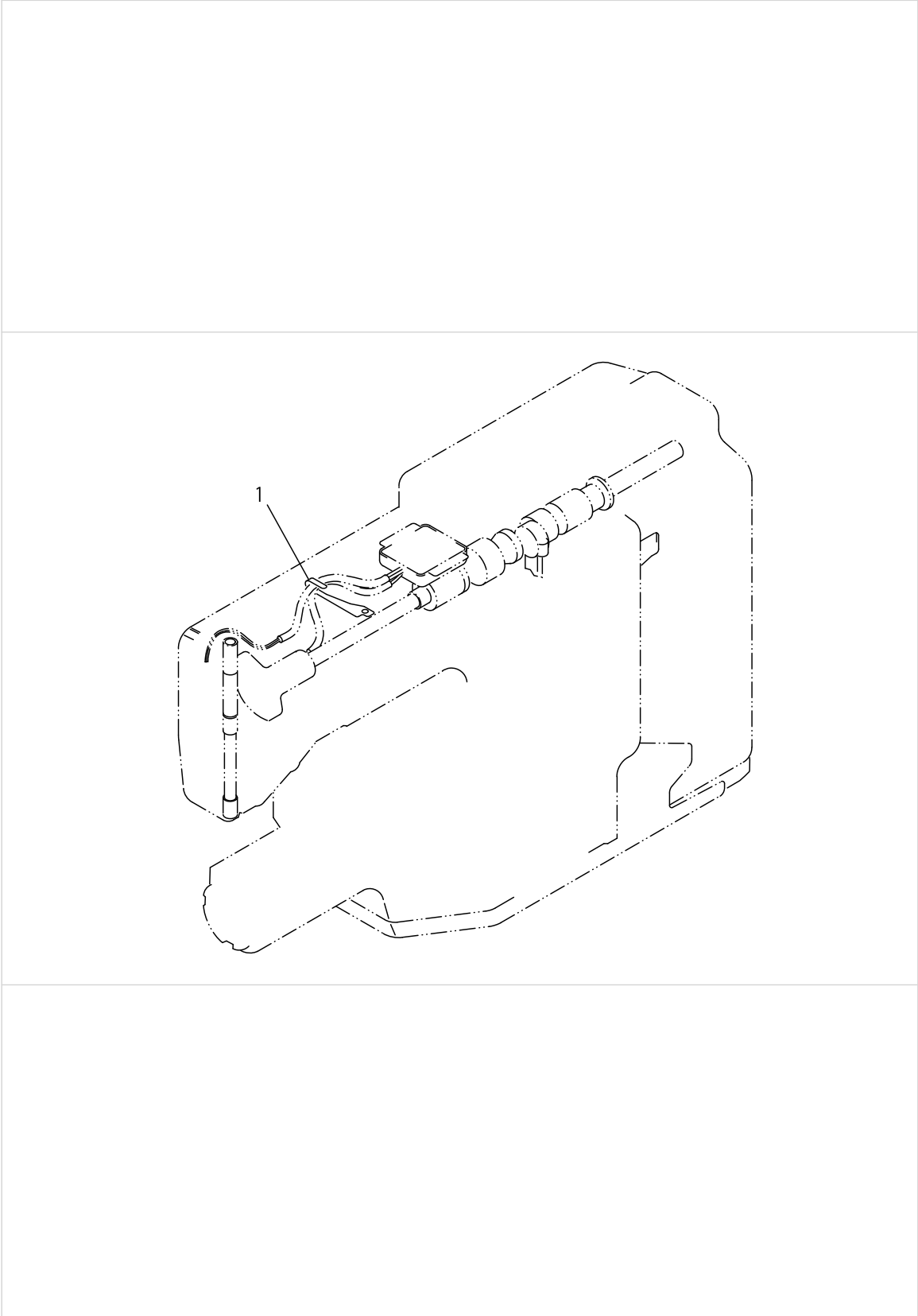
BUTTON CLAMP COMPONENTS (Z168 ATTACHMENT FOR MEDIUM-SIZED BUTTONS)



BUTTON CLAMP COMPONENTS (Z168 ATTACHMENT FOR MEDIUM-SIZED BUTTONS)

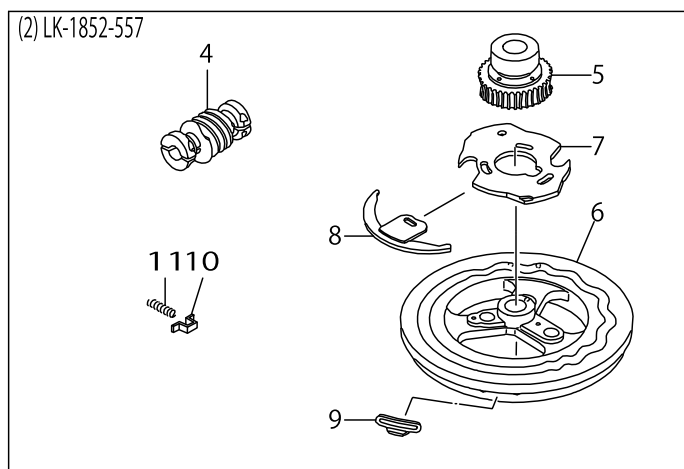
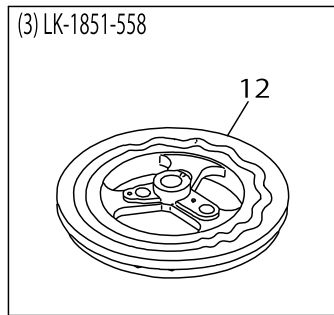
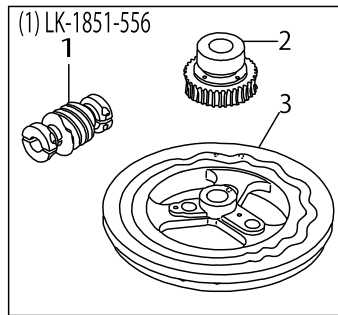
No.	Supply Code	Parts No.	Replacement	Parts name	Remarks	Choice	Step	Level	Cons	Qty	Rep. QTY
1		MAZ15601000		GUIDE						1	
2		MAZ15602000		PRESSURE PLATE						1	
3		MAZ168140A0		M BUTTON CLAMP JAW LEVER ASM.L						1	
4		MAZ16814000		M BUTTON CLAMP JAW LEVER, LEFT				*		1	
5		SS7090410SP		SCREW 9/64-40 L=3.5				*		1	
6		MAZ08916000		LINK SCREW A				*		1	
7		B2559372000		BUTTON CLAMP LOCATING PIN				*		1	
8		MAZ08917000		BUTTON HOLDING SPRING,LEFT				*		1	
9		MAZ08915000A		SENSOR LEVER				*		1	
10		MAZ166070B0		M BUTTON CLAMP JAW LEVER ASM.R						1	
11	R	MAZ166070A0	MAZ166070B0	M BUTTON CLAMP JAW LEVER ASM.R				*		1	1.00
12		MAZ15509000		SPRING, RIGHT				*		1	
13		SS7090410SP		SCREW 9/64-40 L=3.5				*		1	
14		B2559372000		BUTTON CLAMP LOCATING PIN				*		1	

LUBRICATION MECHANISM COMPONENTS



LUBRICATION MECHANISM COMPONENTS

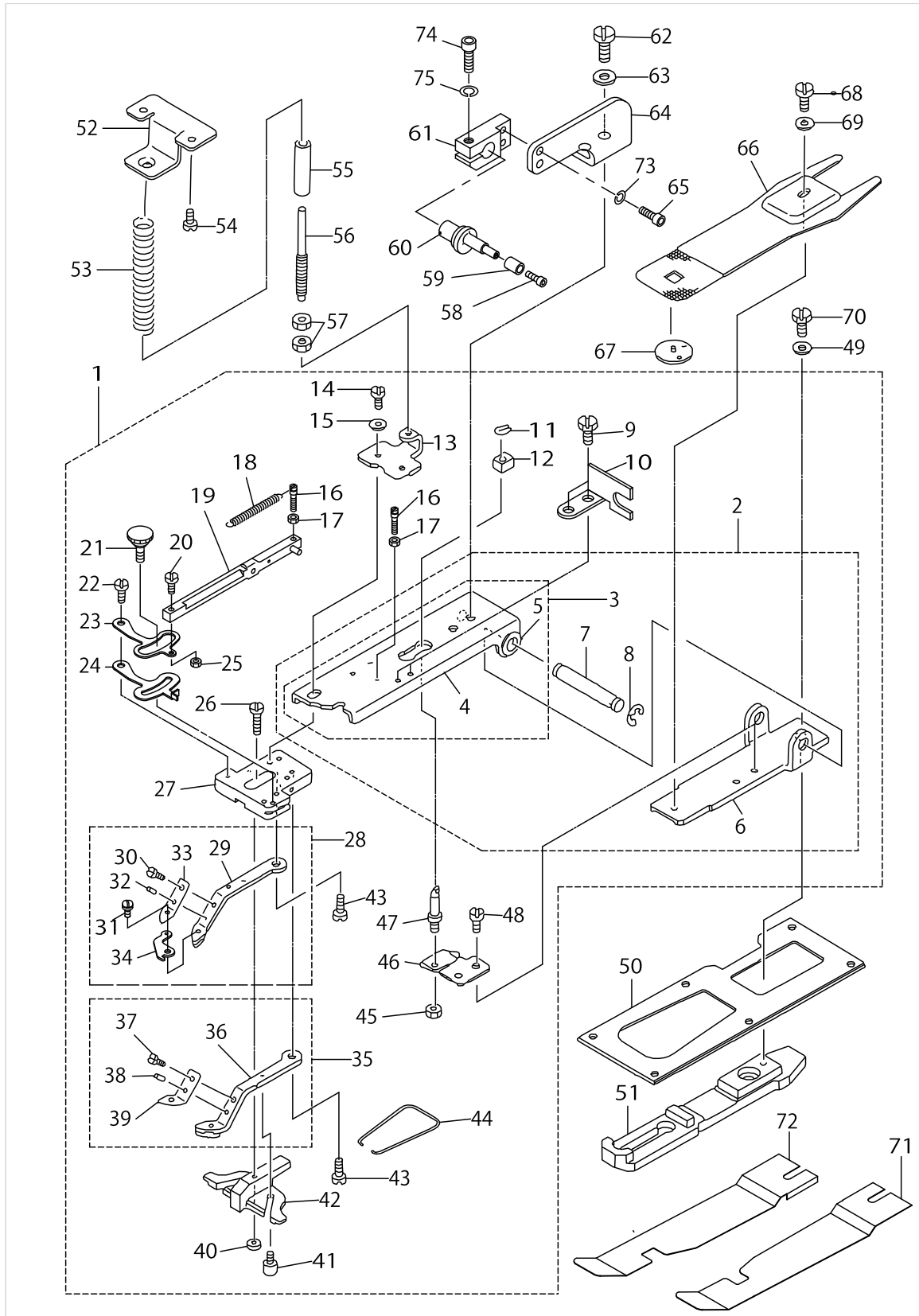
No.	Supply Code	Parts No.	Replacement	Parts name	Remarks	Choice	Step	Level	Cons	Qty	Rep. QTY
1	D	MAZ16526000		CLAMP						1	



LK-1851 SERIES SUBCLASSES

No.	Supply Code	Parts No.	Replacement	Parts name	Remarks	Choice	Step	Level	Cons	Qty	Rep. QTY
1	R	13815105	13815154	WORM WHEEL 16 STITCHES						1	1.00
2	R	13815451	13815154	WORM WHEEL ASM. 16 STITCHES						1	1.00
3	D	13814207		FEED CAM 16 STITCHES						1	
4	R	13815204	13815253	WORM WHEEL 22 STITCHES						1	1.00
5	R	13815550	13815253	WORM WHEEL ASM. 22 STITCHES						1	1.00
6		13814306		FEED CAM 22 STITCHES						1	
7	D	13814702		STOP MOTION FEED CAM						1	
8		13814900		STOP MOTION FEED CAM						1	
9	D	13814504		NOTCH 22 STITCHES						1	
10		13815709		PRESSURE PLATE						1	
11	D	B1240980000		BALL PUSHING SPRING						1	
12		13814108		FEED CAM 18 STITCHES						1	

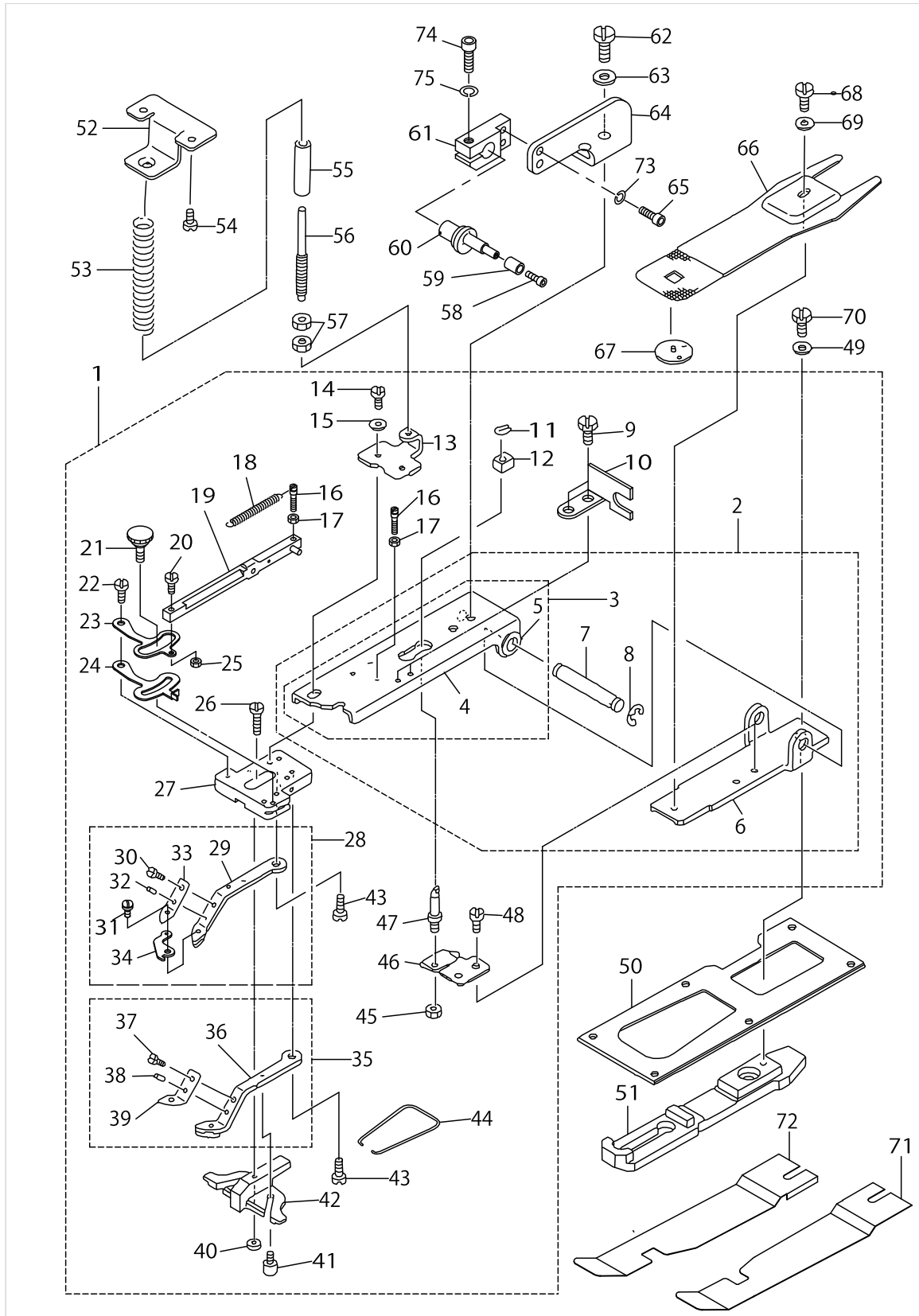
BUTTON CLAMP COMPONENTS (Z167 ATTACHMENT FOR SMALL BUTTONS)



BUTTON CLAMP COMPONENTS (Z167 ATTACHMENT FOR SMALL BUTTONS)

No.	Supply Code	Parts No.	Replacement	Parts name	Remarks	Choice	Step	Level	Cons	Qty	Rep. QTY
1	D	MAZ167140B0		S BUTTON CLAMP MECHANISM ASM.						1	
2		MAZ155030B0		CLAMP JAW LEVER BASE ASM.				*		1	
3		MAZ155030A0		CLAMP JAW LEVER BASE ASM.				*		1	
4	R	MAZ15503000	MAZ155030A0	CLAMP JAW LEVER BASE				*		1	1.00
5	D	D2505232D00		SUPPORT BOSS				*		2	
6		MAZ15504000		BUTTON CLAMP M-ECHANISM BASE				*		1	
7		D2502232D00		SHAFTBLOCKSHAFT				*		1	
8		RE070000K0		E-RING 7				*		2	
9		SS9091010SP		SCREW 9/64-40 L=10				*		2	
10		D2572M1YC0F		LINK SUPPORTING PLATE				*		1	
11		D2548232D00		SNAP RING, FOR CONNECTING ROD				*		1	
12		MAZ15515000		SLIDE BLOCK				*		1	
13	D	MAZ15517000		SLIDE BRACKET				*		1	
14		SS9621413SP		SCREW 3/16-32 L=13.5				*		2	
15		WP0501016SD		WASHER 5X10.5X1				*		2	
16		GBR01607000		SPRING HOOK				*		2	
17		NS6080210SP		NUT 1/8-44				*		2	
18		GBR01606000		RELEASE RETURN SPRING				*		1	
19		MAZ088270A0		CLAMP PELEASE LINK ASM.				*		1	
20		SS7091480SP		SCREW 9/64-40 L=13.5				*		1	
21		B2549372R00A		CLAMP SCREW A				*		1	
22		SD0500404SP		HINGE SCREW				*		1	
23		GBR01601000A		CLAMP RELEASE LEVER				*		1	
24		B2548372R00A		BUTTON CLAMP STOP LEVER ASM.				*		1	
25		NS6090310SP		NUT 9/64-40				*		1	
26		SD0550303SP		HINGE SCREW				*		1	
27	R	MAZ15505000	D2563M1YC00	BUTTON CLAMP JAW LEVER BASE				*		1	1.00
28		MAZ167140A0		S BUTTON CLAMP JAW LEVER ASM.L				*		1	
29	D	MAZ16714000		S BUTTON CLAMP JAW LEVER, LEFT				*		1	
30		SS7090410SP		SCREW 9/64-40 L=3.5				*		1	
31		MAZ08916000		LINK SCREW A				*		1	
32		B2559372000		BUTTON CLAMP LOCATING PIN				*		1	
33		MAZ08917000		BUTTON HOLDING SPRING, LEFT				*		1	
34		MAZ08915000A		SENSOR LEVER				*		1	
35		MAZ165070B0		S BUTTON CLAMP JAW LEVER ASM.R				*		1	
36	R	MAZ165070A0	MAZ165070B0	S BUTTON CLAMP JAW LEVER ASM.R				*		1	1.00
37		SS7090410SP		SCREW 9/64-40 L=3.5				*		1	
38		B2559372000		BUTTON CLAMP LOCATING PIN				*		1	
39		MAZ08829000		SPRING, RIGHT				*		1	
40		B2553372000		NUT				*		1	
41		B2560372000		BUTTON CLAMP STOP PIN				*		2	
42		MAZ16522000		BUTTON GUIDE FOOT				*		1	
43		MAZ15518000		SCREW				*		2	

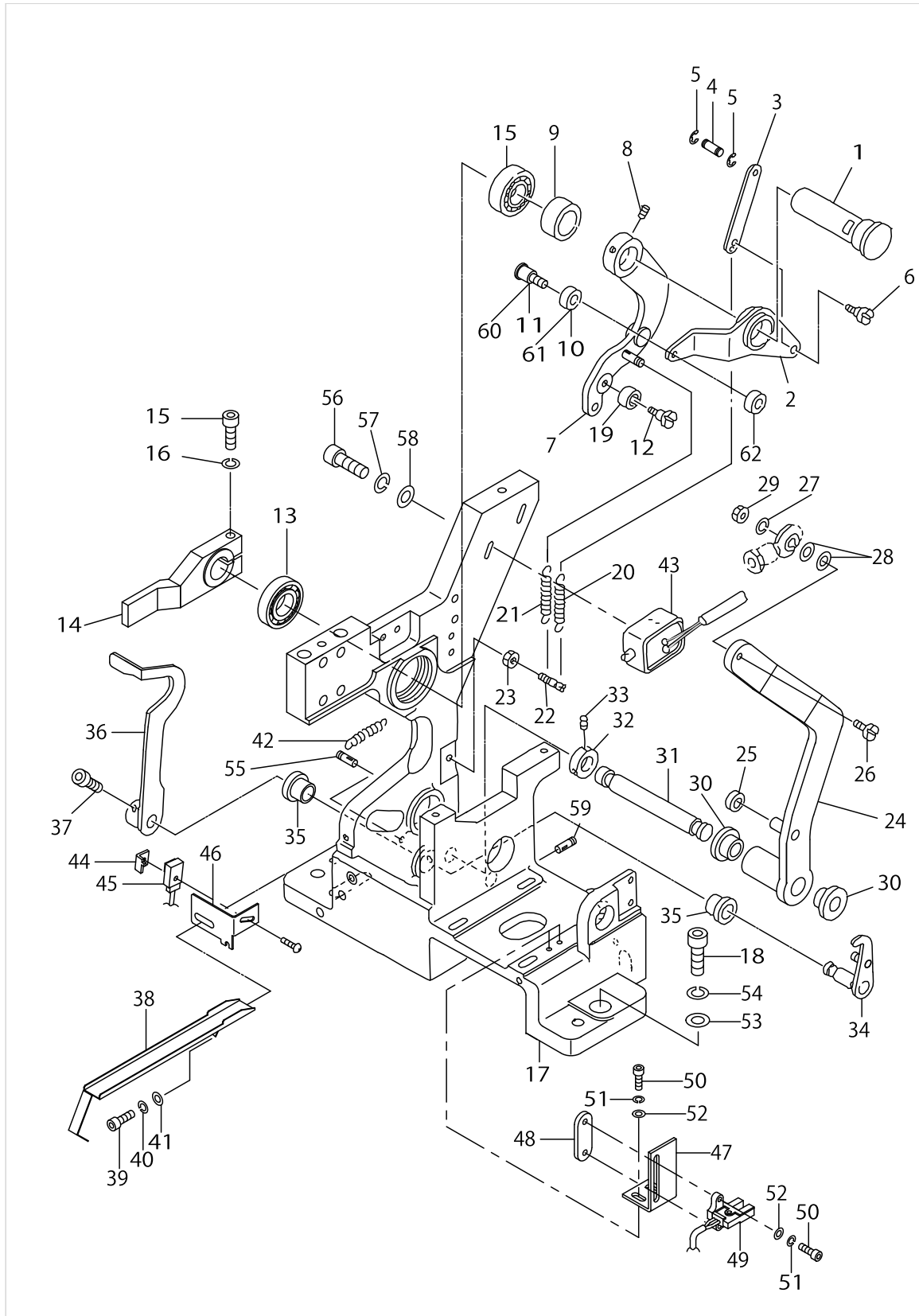
BUTTON CLAMP COMPONENTS (Z167 ATTACHMENT FOR SMALL BUTTONS)



BUTTON CLAMP COMPONENTS (Z167 ATTACHMENT FOR SMALL BUTTONS)

No.	Supply Code	Parts No.	Replacement	Parts name	Remarks	Choice	Step	Level	Cons	Qty	Rep. QTY
44		B2561372000		BUTTON CLAMP SPRING				*		1	
45		NS6150310SP		NUT 15/64-28				*		1	
46		MAZ15514000		SUPPORT PLATE				*		1	
47		13540901		STATIONING BLOCK SHAFT				*		1	
48		SS9110543CP		SCREW 11/64-40 L=5.3				*		2	
49		WP0612516SD		WASHER 6.1X15.2X2.5						1	
50		13810403		PRESSURE PLATE						1	
51	R	13810304	13810312	FEED PLATE		A				1	1.00
51	R	13810304	SM6061202TP	FEED PLATE		A				1	1.00
52		13811906		ACCEPT PLATE, UPPER						1	
53		13812003		PRESSURE SPRING						1	
54		SS7110840SP		SCREW 11/64-40 L=7.8						2	
55		D2527232D00		SLEEVE						1	
56		D2528232D00		SHAFT						1	
57	R	B3125012000	22928808	THREAD TENSION NUT						2	1.00
58	D	GBR01161000		NUT						1	
59	R	GBR01160000	18200709	ROLLER						1	1.00
60		18207605		HOOK						1	
61		18209007		HOOK HOLDER						1	
62		SS9151120CP		SCREW 15/64-28 L=11						2	
63		WP0612516SD		WASHER 6.1X15.2X2.5						2	
64	D	18208900		HOLDER BRACKET						1	
65		SM6041202TP		SCREW M4X0.7 L=12						2	
66		MAZ15502000		PRESSURE PLATE						1	
67		MAZ15801000		GUIDE						1	
68		SS9110543CP		SCREW 11/64-40 L=5.3						1	
69		WP0501016SD		WASHER 5X10.5X1						1	
70		SS9151120CP		SCREW 15/64-28 L=11						1	
71	D	G5520164A00		SUPPORT PLATE (FOR MAN)	OPTIONAL PARTS					1	
72		G5521164A00		SUPPORT PLATE (FOR WOMAN)	OPTIONAL PARTS					1	
73		WS0410002KN		SPRING WASHER						2	
74		SM6051602TP		SCREW M5X0.8 L=16						1	
75		WS0510002KN		SPRING WASHER						1	

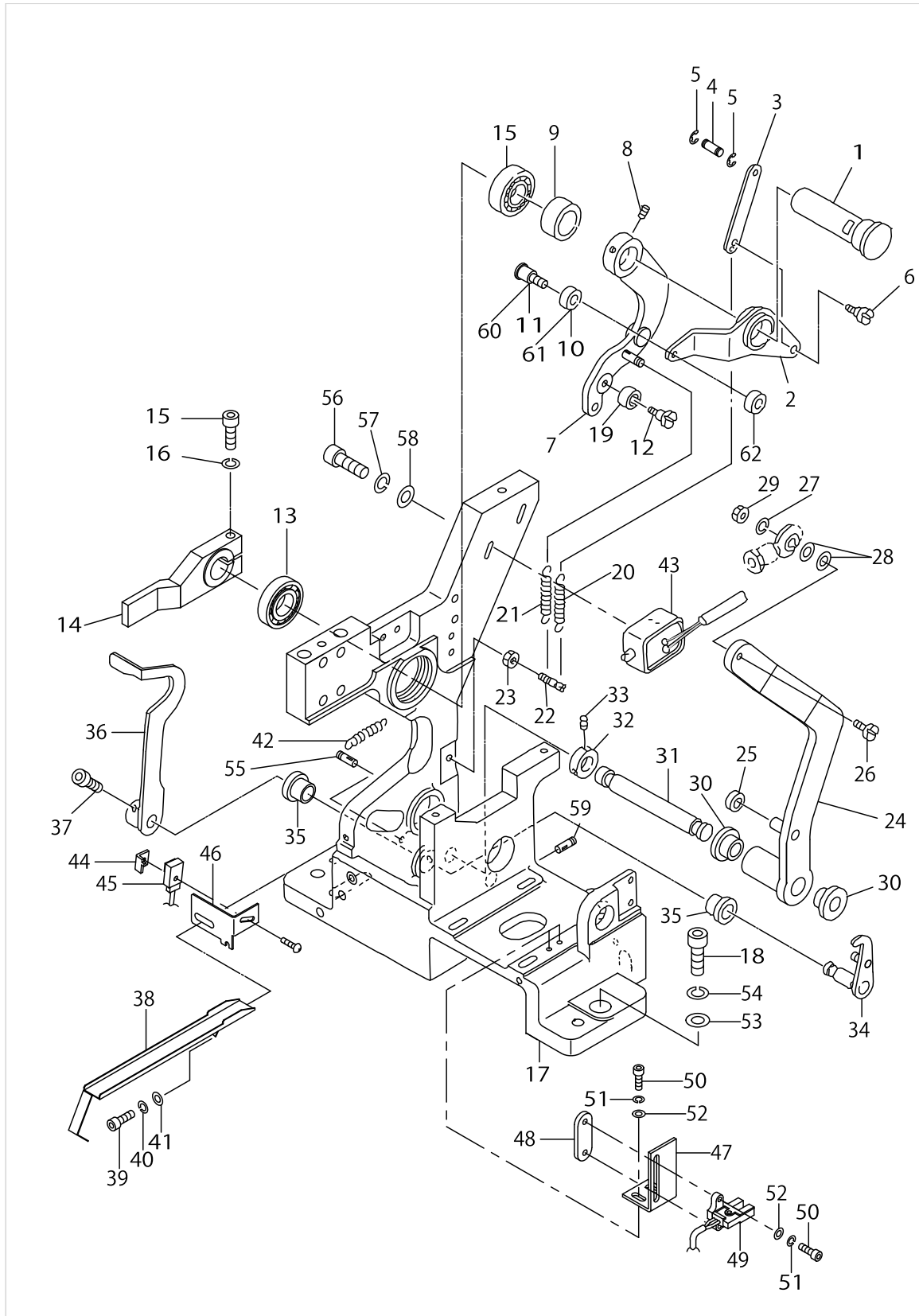
FINE POSITION OF BUTTONS COMPONENTS (1)



FINE POSITION OF BUTTONS COMPONENTS (1)

No.	Supply Code	Parts No.	Replacement	Parts name	Remarks	Choice	Step	Level	Cons	Qty	Rep. QTY
1		16552507		ARM SHAFT						1	
2		18219709		RUBBING UP-AND-DOWN LEVER						1	
3		18218206		RUBBING UP-AND-DOWN LINK						1	
4		16557209		PIN						1	
5		RE020000K0		E-RING						2	
6		SD0600341TP		HINGE SCREW D=6.0 H=3.4						1	
7		18227850		UP AND DOWN LEVER ASM.						1	
8		SM8050602TP		SCREW M5 L=6						2	
9		16552606		THRUST COLLAR						1	
10		18219808		RUBBING ROLLER	ADDITION FROM '91.9					1	
11		SD0600401TP		HINGE SCREW D= 6 H= 4	ADDITION FROM '91.9					1	
12		SD0601021SP		HINGE SCREW D=6 H=10.2						1	
13		SB115000400		RADIAL BEARING						2	
14		18207902		UP AND DOWN ARM						1	
15		SM6052502TP		SCREW M5X0.8 L=25						1	
16		WS0510002KN		SPRING WASHER						1	
17		18227702		MAIN BODY						1	
18		SM6063002TP		SCREW M6 L=30						3	
19		16556706		BEARING						1	
20		16554008		SPRING						1	
21		16553208		SPRING						1	
22		16553307		HOOK						1	
23		NM6050001SC		NUT M5						1	
24		18206706		TURNING LEVER						1	
25		16556805		COLLAR						1	
26		SM6042002TP		SCREW M4X0.7 L=20						1	
27		WS0410002KN		SPRING WASHER						1	
28		WP0430800SC		WASHER M4						2	
29		NM6040001SC		NUT M4						1	
30		16557506		LEVER SHAFT METAL						2	
31		16554503		SHAFT						1	
32		16559007		BASE A (BR-10)						1	
33		SM8040602TP		SCREW M4X0.7 L=6						2	
34		18217752		CLAMP RELEASE ASM.						1	
35		16557605		SHAFT BUSHING						2	
36		18206904		CLAMPRELEASEARM						1	
37		SM6050802TP		SCREW M5X0.8 L=8						2	
38		GBR11101000		SUPPORT PLATE						1	
39		SM6041002TP		SCREW M4 L=10						1	
40		WS0410002KN		SPRING WASHER						1	
41		WP0430800SC		WASHER M4						1	
42		16554008		SPRING						1	
43		GBR10852000		MAGNET						1	
44		GBR11104000		SENSOR BRACKET						1	
45	D	GBR118470A0		UPPER & LOWER SENSOR ASM.						1	

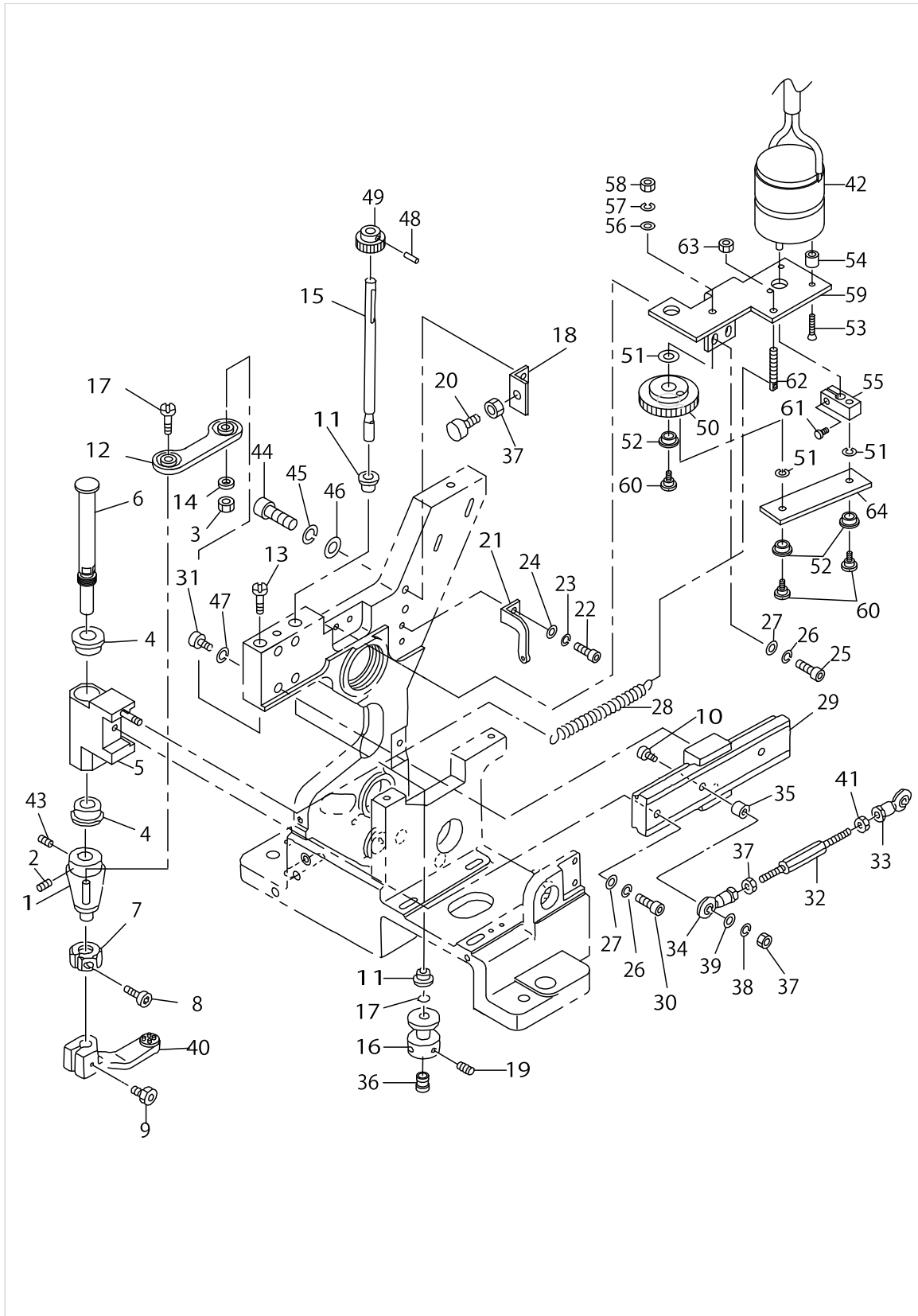
FINE POSITION OF BUTTONS COMPONENTS (1)



FINE POSITION OF BUTTONS COMPONENTS (1)

No.	Supply Code	Parts No.	Replacement	Parts name	Remarks	Choice	Step	Level	Cons	Qty	Rep. QTY
46		GBR11102000		SENSOR BRACKET						1	
47	D	GBR21103000		SENSOR BRACKET						1	
48		G5153171000		SENSOR PLATE						1	
49		GBR218420A0		SWITCH ASM.						1	
50		SM6031002TP		HEXAGONAL BOLT M3 X 10						4	
51		WS0310002KN		SPRING WASHER M3						4	
52		WP0320501SC		WASHER M3						4	
53		16559601		WASHER						3	
54		WS0610002KN		SPRING WASHER 6.1X12.2X1.5						3	
55		18219006		DW PIN 4*14						1	
56		SM6031402TP		SCREW						2	
57		WS0310002KN		SPRING WASHER M3						2	
58		WP0320500SC		WASHER M3						2	
59		SM8050502TP		SCREW M5 L=5						1	
60		16553406		HINGE SCREW (2)	DELITION FROM '91.9					1	
61	R	16553505	18219808	ROLLER	DELITION FROM '91.9					1	1.00
62		NM6040001SC		NUT M4	DELITION FROM '91.9					1	

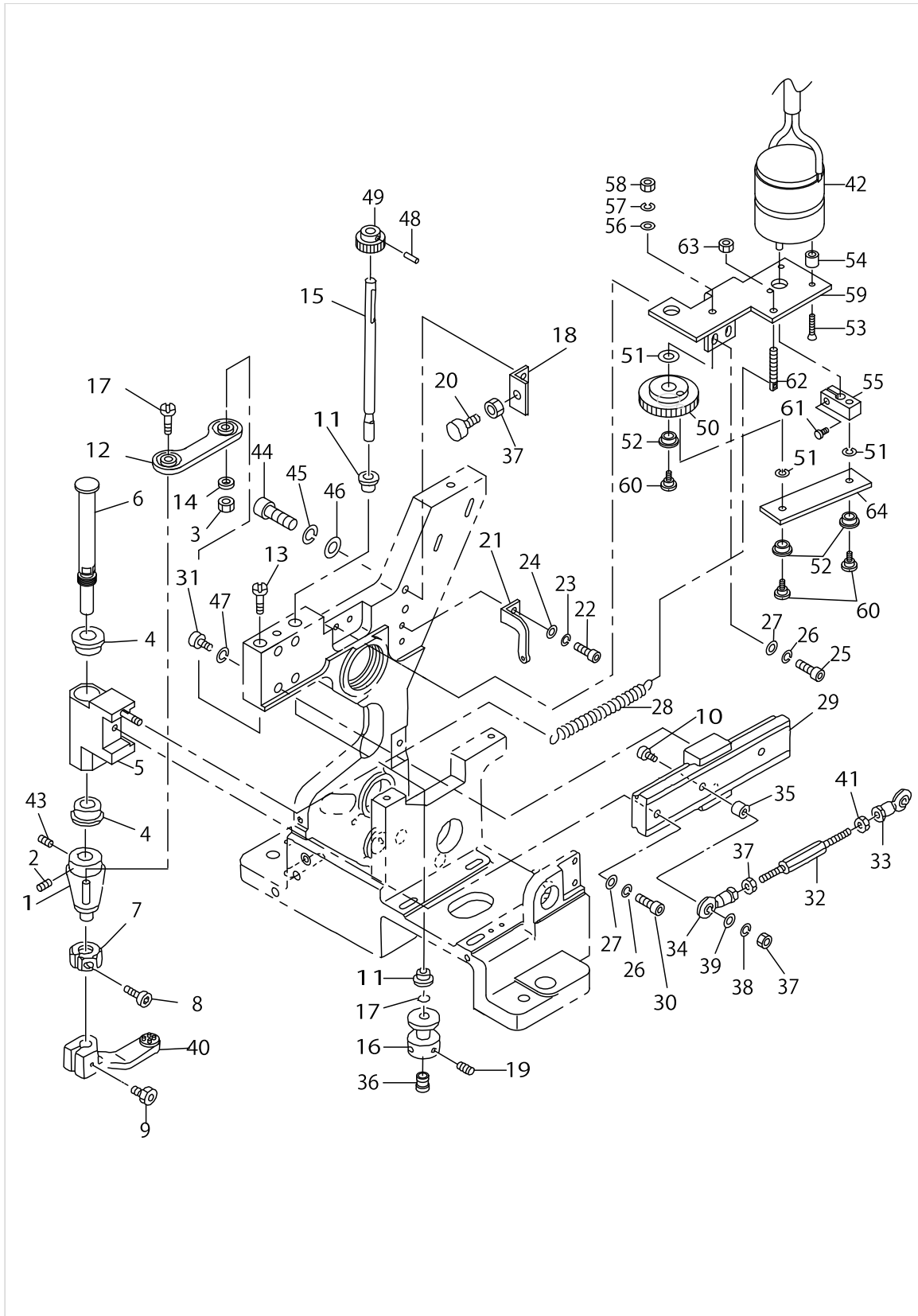
FINE POSITION OF BUTTONS COMPONENTS (2)



FINE POSITION OF BUTTONS COMPONENTS (2)

No.	Supply Code	Parts No.	Replacement	Parts name	Remarks	Choice	Step	Level	Cons	Qty	Rep. QTY
1		18206003		TURNING LEVER BOSS						1	
2		SM8050602TP		SCREW M5 L=6						1	
3		NM6050001SC		NUT M5						1	
4		16557407		ARM SHAFT METAL						2	
5		18227959		TURNING HEAD ASM.						1	
6		18205906		TURNING SHAFT						1	
7		18206409		STOPPER						1	
8		SM6031202TP		SCREW M3X0.5 L=12						1	
9		GBR11108000		CARRIERFIXED BOLT						1	
10		SM6042502TP		SCREW M4X0.7 L=25						1	
11		16557308		METAL						2	
12		18206656		CONNECTING PLATE ASM.						1	
13		18205708		SCREW						2	
14	R	WS0510002KS	WS0510002KR	SPRING WASHER M5						1	1.00
15		18206201		ROTATING ROD						1	
16		16551905		HOOK						1	
17		16558801		O-RING						1	
18		18205609		STOPPER HOLDER						1	
19		SM8040602TP		SCREW M4X0.7 L=6						2	
20		16552309		STOPPER						1	
21		18205401		SPRING HOOK						1	
22		SM6040802TP		SCREW M4X0.7 L=8						2	
23		WS0410002KN		SPRING WASHER						2	
24		WP0430800SC		WASHER M4						2	
25		SM6041002TP		SCREW M4 L=10						2	
26		WS0410002KN		SPRING WASHER						3	
27		WP0430800SC		WASHER M4						3	
28		16551806		SPRING						1	
29		16556607		LM GUIDE						1	
30		SM6041402TP		SCREW M4 L=14						1	
31		SM6031402TP		SCREW						4	
32		16550204		CONNECTING ROD						1	
33		16556409		ROD END						1	
34		16556300		ROD END						1	
35		16550402		COLLAR B						1	
36		18200501		WORK ATTACHMENT (SMALL)						1	
37		NM6040001SC		NUT M4						3	
38		WS0410002KN		SPRING WASHER						1	
39		WP0430800SC		WASHER M4						1	
40		16557902		BUTTON CARRIER A						1	
41		GBR01175000		ROD END NUT, LEFT						1	
42		GBR108550A0		DC MOTOR ASM.						1	
43		SM8050502TP		SCREW M5 L=5						1	
44		SM6042002TP		SCREW M4X0.7 L=20						2	
45		WP0430800SC		WASHER M4						2	
46		WS0410002KN		SPRING WASHER						2	

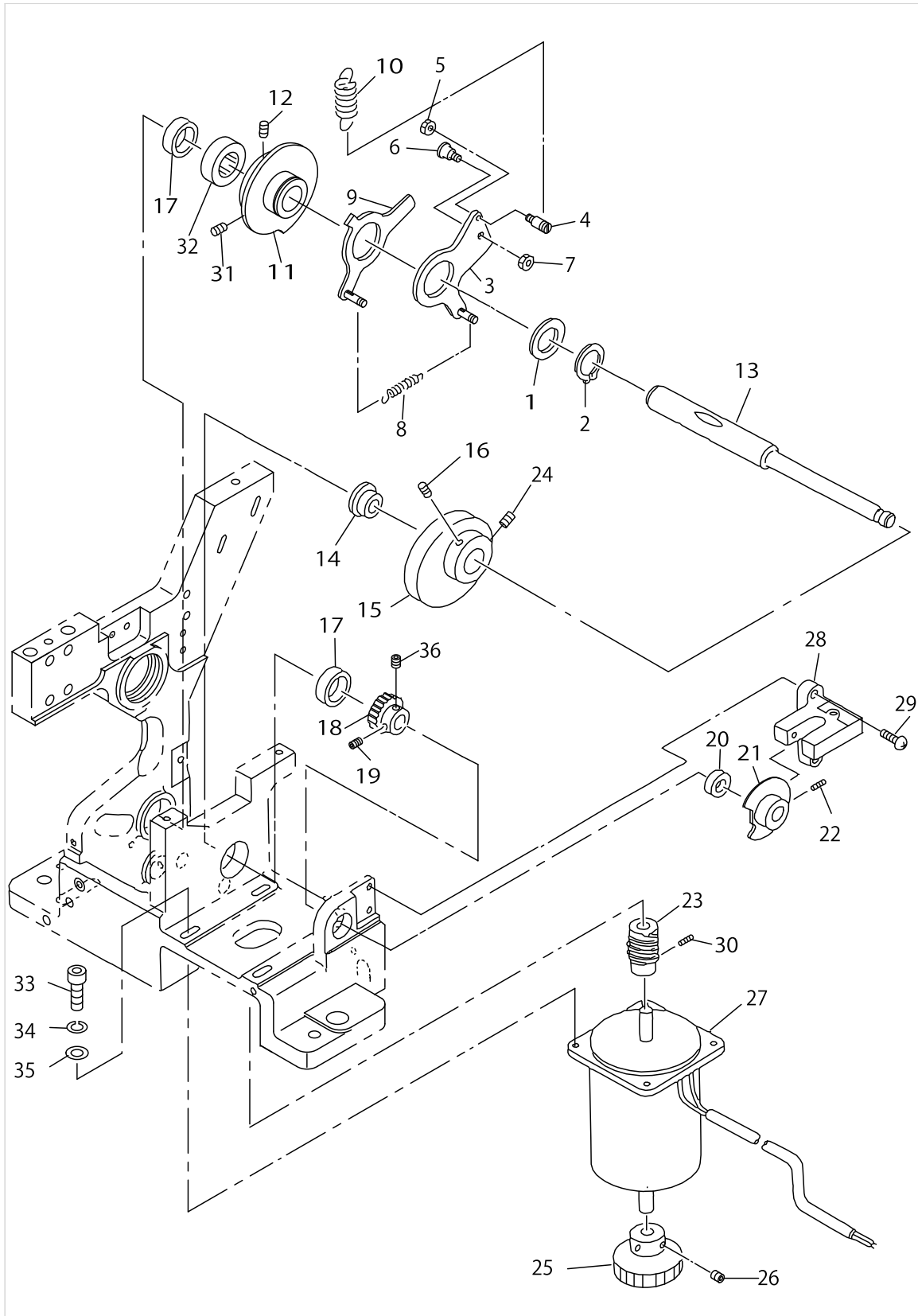
FINE POSITION OF BUTTONS COMPONENTS (2)



FINE POSITION OF BUTTONS COMPONENTS (2)

No.	Supply Code	Parts No.	Replacement	Parts name	Remarks	Choice	Step	Level	Cons	Qty	Rep. QTY
47		WS0310002KN		SPRING WASHER M3						4	
48		PH0300125S0		PIN						1	
49		GBR11110000		PINION, A						1	
50		GBR11111000		PINION, B						1	
51		GBR11114000		WASHER						3	
52		E5006171000		PS BEARING						2	
53	R	SM1031401SC	SM1031401SN	SCREW M3X0.5 L=14						3	1.00
54	R	11110707	22956205	WIPER HINGE SCREW COLLAR						3	1.00
55		GBR11112000		DRIVING ARM						1	
56		WP0430801SC		WASHER 4.3X9X0.8						1	
57		WS0410002KN		SPRING WASHER						1	
58		NS6110360SP		NUT						1	
59		GBR11109000		BRACKET						1	
60		SD0600651TP		HINGE SCREW						3	
61		SM6030602TP		SCREW M3X0.5 L=6						1	
62	R	B1649161000	26226506	TENSION SPRING A-DJUSTING SCREW						1	1.00
63		NS6110360SP		NUT						1	
64		GBR11113000		LINK						1	

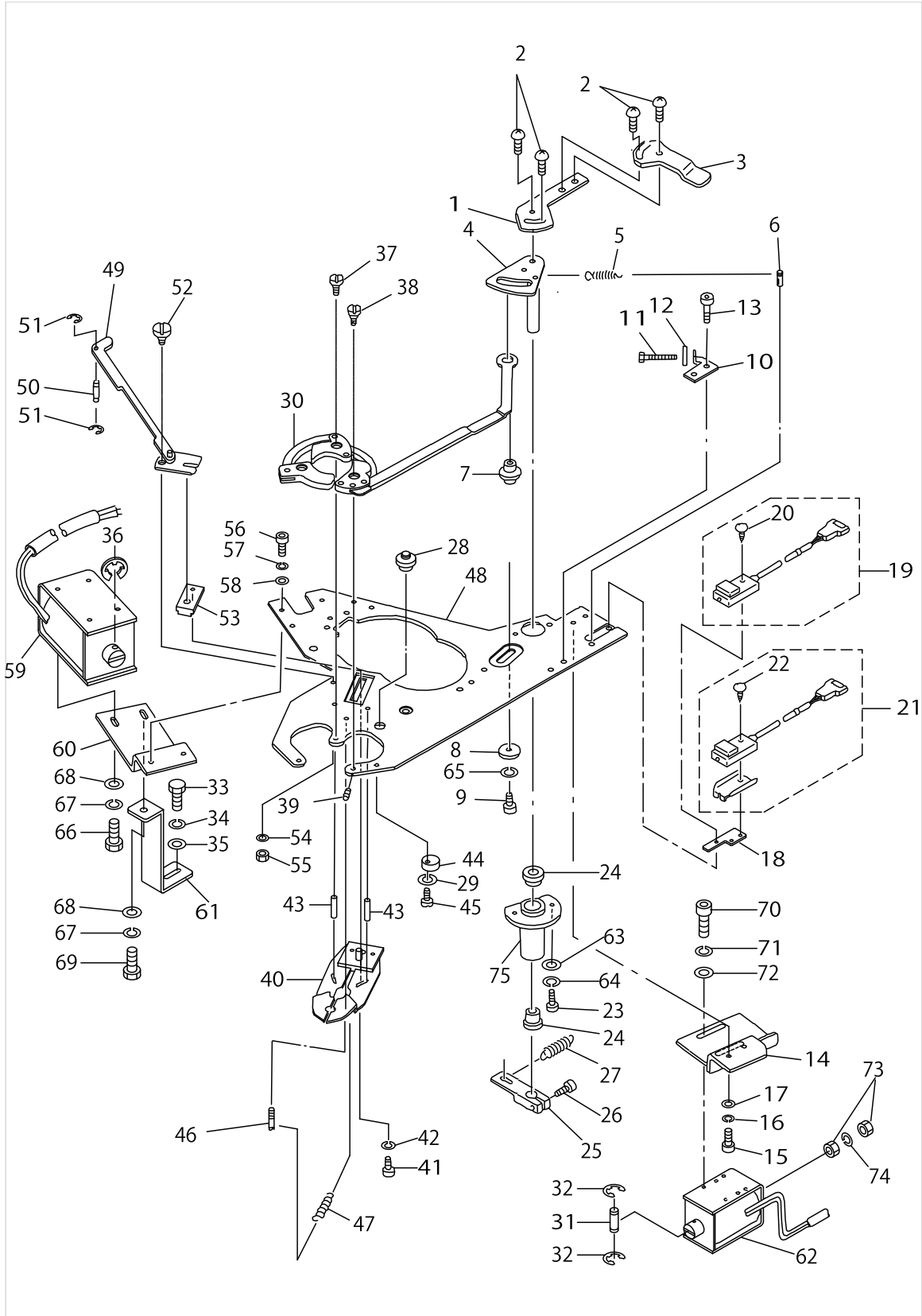
CAM COMPONENTS



CAM COMPONENTS

No.	Supply Code	Parts No.	Replacement	Parts name	Remarks	Choice	Step	Level	Cons	Qty	Rep. QTY
1	D	GBR01120000		COLLAR						1	
2		RC2500001KP		RETAINING RING 25						1	
3	D	18217950		START TIMING CAM ASM.						1	
4		16562803		HOOK						1	
5		NM6040001SC		NUT M4						1	
6		16562902		HINGE SCREW						1	
7		NM6050001SC		NUT M5						1	
8	R	18212506	G5460340000	TENSION SPRING						1	1.00
9	D	18227553		HOLDING CLAMP DRIVE CAM ASM.						1	
10		GBR01126000A		TENSION SPRING						1	
11		18207209		DOUBLE CAM						1	
12		SM8050612TP		SCREW M5X6						1	
13		18207506		CAM SHAFT						1	
14		16560104		CAMSHAFTCOLLAR1						1	
15		16561607		SPINNER OSCILLATING ARM CAM						1	
16		SM8050812TP		SCREW M5X8						1	
17		GBR01168000		NEEDLE BEARING 3						2	
18		16562001		WORM WHEEL						1	
19		16562407		SCREW						1	
20		16562308		NEEDLE BEARING						1	
21		GBR11107000		SENSOR DOCK						1	
22		SM8040602TP		SCREW M4X0.7 L=6						1	
23		16562100		WORM GEAR						1	
24		SM8050842TP		SETSCREW						1	
25		G5418164000		SULLEY						1	
26		SM8050602TP		WOOD SCREW						1	
27	R	GBR108590A0	HM000670000	DC MOTOR ASM.						1	1.00
28	D	HD000360000		PHOTO MICRO SENSOR						1	
29		SL4031081SC		SCREW M3 X 10						2	
30		SM8040402TP		SCREW M4X0.7 L=4						2	
31		SM8050842TP		SETSCREW						1	
32		16560203		CAMSHAFTCOLLAR2						1	
33		SM6062002TP		SCREW M6 L=20						4	
34		WS0610002KN		SPRING WASHER 6.1X12.2X1.5						4	
35		WP0641600SC		WASHEW6.4X12.5X1.6						4	
36		SM8050602TP		SCREW M5 L=6						1	

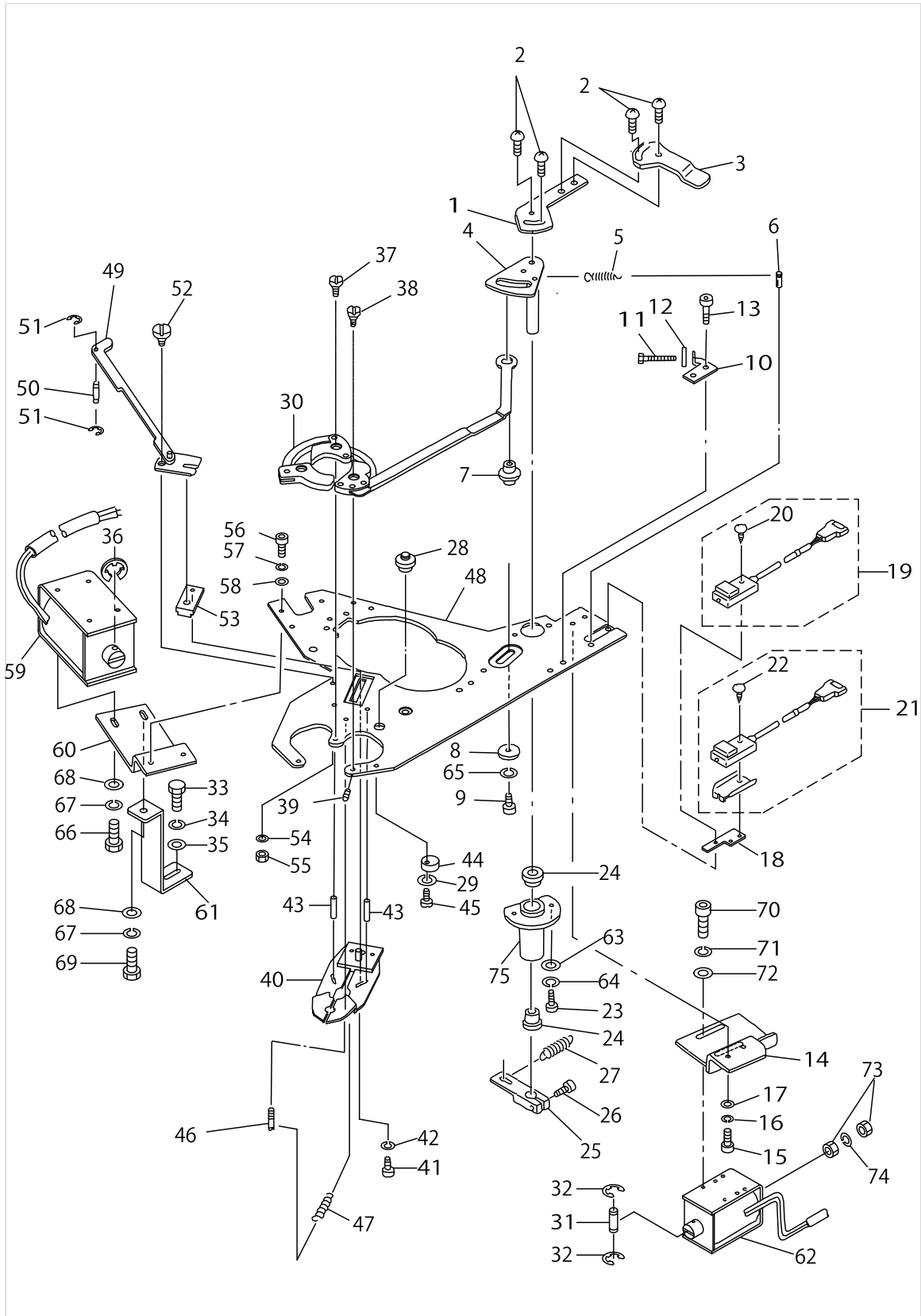
INDEX COMPONENTS (1)



INDEX COMPONENTS (1)

No.	Supply Code	Parts No.	Replacement	Parts name	Remarks	Choice	Step	Level	Cons	Qty	Rep. QTY
1		16566507		CHECK DOG						1	
2		SM0040601SC		SCREW M4X0.7 L=6						4	
3		16574105		DOG						1	
4		16566002		SPINNER CAM						1	
5		16553208		SPRING						1	
6		18218909		DW PIN 4*12						1	
7		16565707		SHAFT (1)						1	
8		B2107816000		WASHER						1	
9		SM6041002TP		SCREW M4 L=10						1	
10	D	16566606		STOPPER BKT						1	
11		SM8042502TP		SCREW M4X0.7 L=25						1	
12		NM6040001SC		NUT M4						1	
13		SM6040802TR		SCREW M4X0.7 L=8						2	
14	D	16567000		BRACKET (1)						1	
15		SM6041002TP		SCREW M4 L=10						2	
16		WS0410002KN		SPRING WASHER						2	
17		WP0430800SC		WASHER M4						2	
18		16574006		BRACKET						1	
19		GBR108440A0		BUTTON SENSOR SWITCH ASM.						1	
20	D	SM0861201SA		SCREW				*		2	
21		GBR108430A0		RUB COMPLETION SWITCH ASM.						1	
22	D	SM0861201SA		SCREW				*		1	
23		SM6041002TP		SCREW M4 L=10						2	
24		16572406		METAL						2	
25		16566408		LINK LEVER						1	
26		SM6041202TP		SCREW M4X0.7 L=12						1	
27		18201608		SPRING, 2						1	
28		18218008		SHAFT (2)						1	
29		WP0430800SC		WASHER M4						1	
30		18202150		CHECK ASM., A						1	
31		16557209		PIN						1	
32		RE0200000K0		E-RING						2	
33		SM6061602TP		SCREW M6 L=16						1	
34		WS0610002KN		SPRING WASHER 6.1X12.2X1.5						1	
35		WP0641600SC		WASHEW6.4X12.5X1.6						1	
36		RE1200000K0		E-RING 12						1	
37		16565400		HING PIN (2)						2	
38		16565509		HING PIN (1)						1	
39		SM8030402TP		SCREW M3X0.5 L=4						1	
40		16567166		SHUTTER PLATE ASM.						1	
41		SM6041202TP		SCREW M4X0.7 L=12						1	
42		WS0410002KN		SPRING WASHER						1	
43		18204107		PIN						2	
44		18209502		ECCENTRIC STOPPER						1	
45		SM6041202TP		SCREW M4X0.7 L=12						1	
46		18219204		DW PIN 4*18						1	

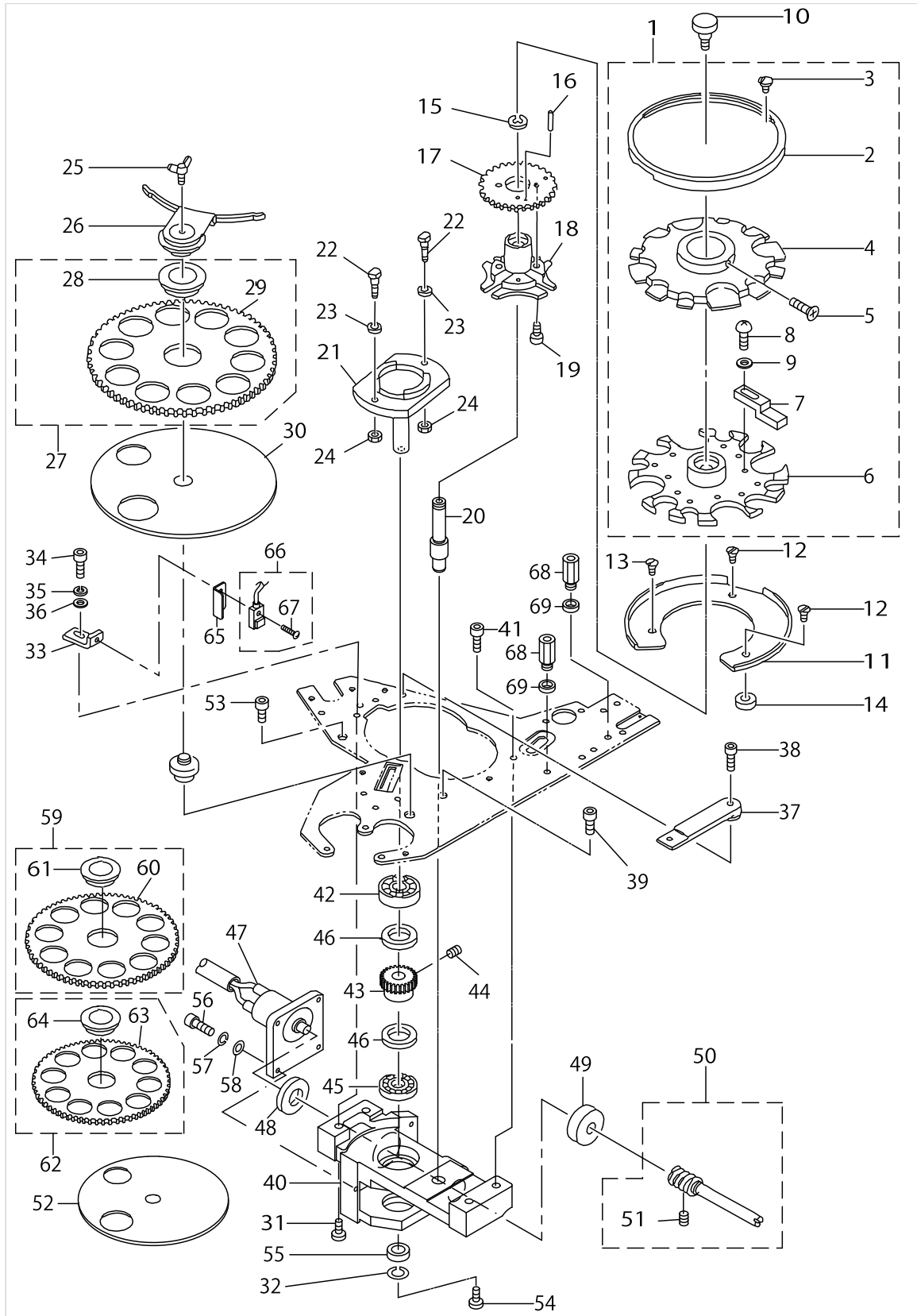
INDEX COMPONENTS (1)



INDEX COMPONENTS (1)

No.	Supply Code	Parts No.	Replacement	Parts name	Remarks	Choice	Step	Level	Cons	Qty	Rep. QTY
47		16554008		SPRING						1	
48		18217505		TOP PLATE						1	
49		16567802		LINK PLATE						1	
50		16572505		PIN						1	
51		RE0250000K0		E-RING 2.5						2	
52		16567901		HING SCREW						1	
53		16573305		SLIDER BLOCK						1	
54		WS0410002KN		SPRING WASHER						1	
55		NM6040001SC		NUT M4						2	
56		SM6041002TP		SCREW M4 L=10						2	
57		WS0410002KN		SPRING WASHER						2	
58		WP0430800SC		WASHER M4						2	
59		GBR10853000		MAGNET						1	
60		16568206		BRACKET (2)						1	
61		18209403		SUPPORT PLATE						1	
62		GBR10854000		MAGNET						1	
63		WP0430800SC		WASHER M4						2	
64		WS0410002KN		SPRING WASHER						2	
65		WS0410002KN		SPRING WASHER						1	
66		SM6040802TP		SCREW M4X0.7 L=8						3	
67		WS0410002KN		SPRING WASHER						4	
68		WP0430800SC		WASHER M4						4	
69		SM6041202TP		SCREW M4X0.7 L=12						1	
70		SM6040802TP		SCREW M4X0.7 L=8						2	
71		WS0410002KN		SPRING WASHER						2	
72		WP0430800SC		WASHER M4						2	
73		NM6040001SC		NUT M4						2	
74		WS0410002KN		SPRING WASHER						1	
75		16565905		CUPLING						1	

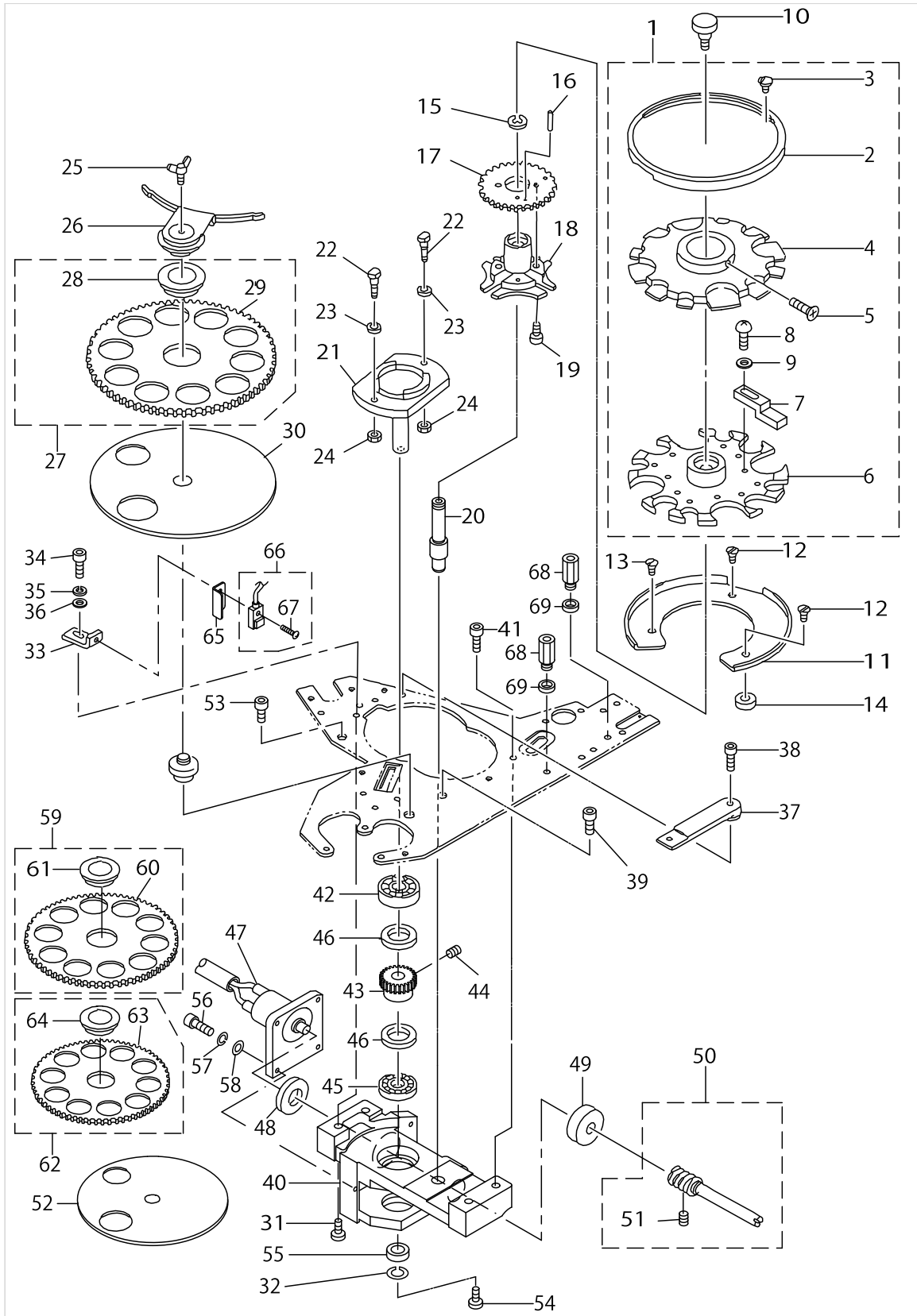
INDEX COMPONENTS (2)



INDEX COMPONENTS (2)

No.	Supply Code	Parts No.	Replacement	Parts name	Remarks	Choice	Step	Level	Cons	Qty	Rep. QTY
1	R	18201962	40163503	FEED ACROSS PLATE ASM. A						1	1.00
2		16573701		RING				*		1	
3		SM0040601SC		SCREW M4X0.7 L=6				*		2	
4	R	18203307	40163420	ADJUSTING PLATE				*		1	1.00
5		SL4030881SC		SCREW M3 L=8				*		1	
6	R	18201905	40163419	FEED PLATE A				*		1	1.00
7		18202002		BUTTON ADJUST A				*		8	
8		SM4860501SC		SCREW M 2.6 X 5				*		8	
9		WP0280500SC		WASHER				*		8	
10	D	16573800		SCREW						1	
11		16569204		REST						1	
12		SM1041201SC		SCREW M4 L=12						2	
13		SM1040601SC		SCREW M4X0.7 L=6						1	
14		16573008		COLLAR						2	
15		16571903		CLIP						1	
16		PH0300185S0		PIN						1	
17		16569600		GEAR						1	
18		16569501		GENEVA						1	
19		SM6030802TP		SCREW M3X0.5 L=8						2	
20		18219501		DIVIDING MAIN SHAFT						1	
21		16570103		WHEEL						1	
22		16570202		SCREW						2	
23		16570301		COLLAR						2	
24		NM6040001SC		NUT M4						2	
25		18204503		WING BOLT						1	
26		16568909		COVER CAP						1	
27		18200352		FEED PLATE CIRCLE 16 ASM.						1	
28		16572703		METAL				*		1	
29		18200303		FEED PLATE 16				*		1	
30		16568404		FERRULE DISC						1	
31		SM6052002TP		SCREW M5 L=20						1	
32		WS0410002KN		SPRING WASHER						1	
33		16570707		SENSOR BRACKET						1	
34		SM6040802TR		SCREW M4X0.7 L=8						1	
35		WS0410002KN		SPRING WASHER						1	
36		WP0430800SC		WASHER M4						1	
37		16570905		STAND PLATE (1)						1	
38		SM6041202TP		SCREW M4X0.7 L=12						1	
39		SM6051202TP		SCREW M5X0.8 L=12						1	
40		18219600		GENEVA HOUSE						1	
41		SM6051602TP		SCREW M5X0.8 L=16						3	
42		SB110000400		BALL BEARING						1	
43	R	16571507	16562001	WORM WHEEL						1	1.00
44		SM8050842TP		SETSCREW						1	
45		16571804		BEARING A						1	
46		16573909		THRUST COLLAR						2	

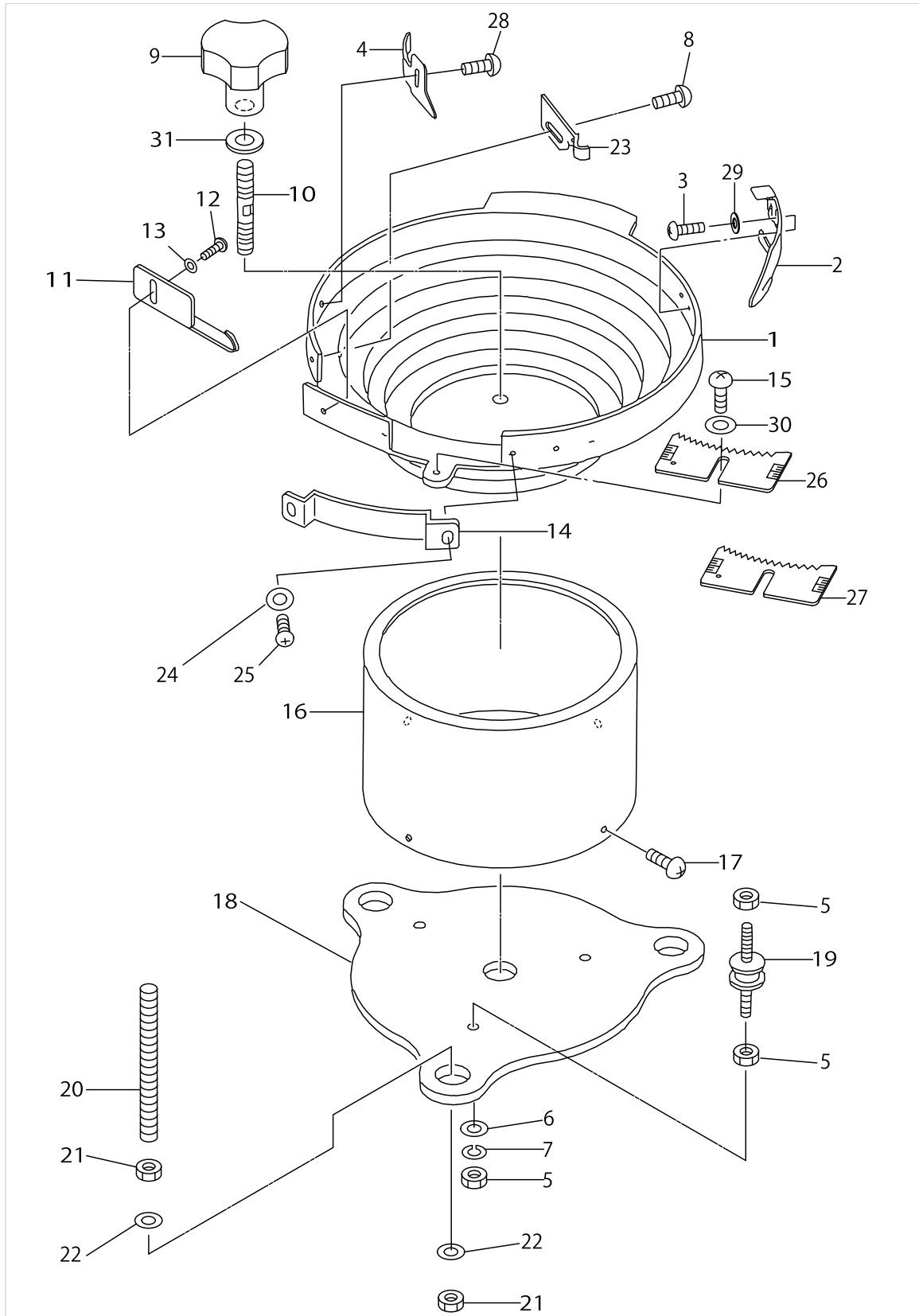
INDEX COMPONENTS (2)



INDEX COMPONENTS (2)

No.	Supply Code	Parts No.	Replacement	Parts name	Remarks	Choice	Step	Level	Cons	Qty	Rep. QTY
47		GBR108560A0		DC MOTOR ASM.						1	
48		16570509		THRUST COLLAR						1	
49		16571408		NEEDLE BEARING						1	
50	R	16570657	SM8040402TP	TURNINGSHAFTASM.		A				1	1.00
50	R	16570657	16570608	TURNINGSHAFTASM.		A				1	1.00
51		SM8040402TP		SCREW M4X0.7 L=4				*		2	
52		18201103		HOLDING PLATE (SMALL)	OPTIONAL PARTS					1	
53		SM6051202TP		SCREW M5X0.8 L=12						1	
54		SM6041002TP		SCREW M4 L=10						1	
55		B2107816000		WASHER						1	
56		SM6030802TP		SCREW M3X0.5 L=8						4	
57		WS0310002KN		SPRING WASHER M3						4	
58		WP0320500SC		WASHER M3						4	
59		16568651		FEEDPLATE22BASM.	OPTIONAL PARTS					1	
60		16568602		FEED PLATE 22B				*		1	
61		16572703		METAL				*		1	
62		18200956		FEED PLATE CIRCLE 13.5 ASM.	OPTIONAL PARTS					1	
63		18200907		FEED PLATE 12.5				*		1	
64		16572703		METAL				*		1	
65		18212902		SENSOR COVER						1	
66	D	SM0861201SA		SCREW						1	
67		GBR108450A0		INDEX STARTING SWITCH ASM.				*		1	
68		HX003390000		STUD						2	
69		B3052816000		WASHER						2	

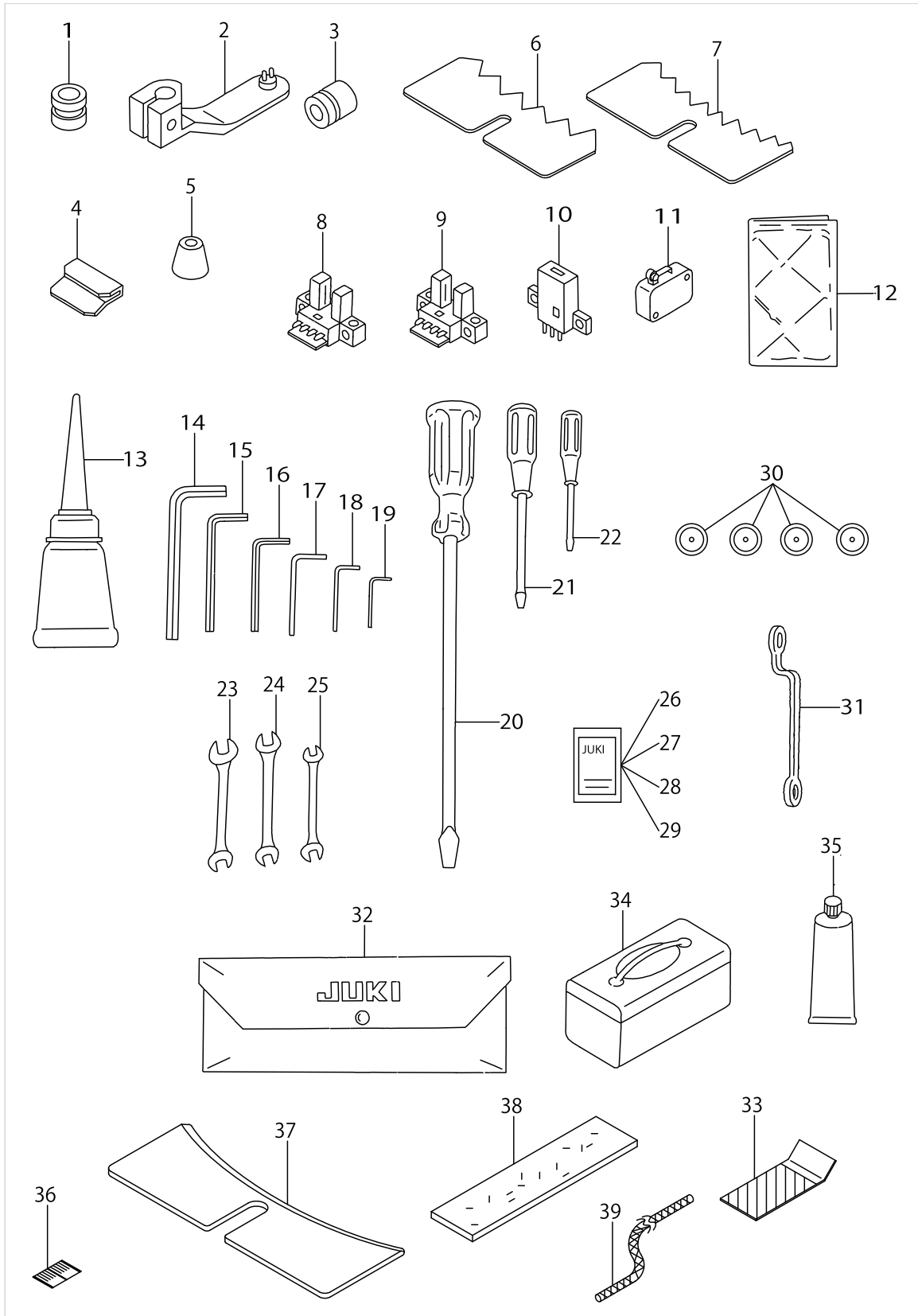
FEEDER BOWL COMPONENTS



FEEDER BOWL COMPONENTS

No.	Supply Code	Parts No.	Replacement	Parts name	Remarks	Choice	Step	Level	Cons	Qty	Rep. QTY
1		16577009		FEEDER BOWL						1	
2		GBR01426000		GUIDE PLATE						1	
3		SS4110815SP		SCREW 11/64-40 L=8						2	
4		GBR01441000		BUTTON STANDING PREVENT PLATE						1	
5		NM6060001SC		NUT M6						9	
6		WP0641600SC		WASHEW6.4X12.5X1.6						3	
7		WS0610002KN		SPRING WASHER 6.1X12.2X1.5						3	
8	R	SM0040801SF	SM0040801SC	SCREW M4X0.7 L=8						1	1.00
9	D	GBR01431000		BOWL FIXING KNOB						1	
10		GBR01432000		BOWL FIXING SCREW						1	
11		16577504		SELECTOR PLATE						1	
12		SM4040801SN		SCREW M4 L=8						1	
13		WP0430800SC		WASHER M4						1	
14		GBR01428000		GUIDE PLATE						1	
15		SM4051001SN		SCREW M5						1	
16		16577207		P/F COVER						1	
17		SM0040601SC		SCREW M4X0.7 L=6						4	
18		16577108		P/F INSTALLING BASE						1	
19		GBR01429000A		VIBRATION-PROOF RUBBER						3	
20		16577306		MOUNTING BOLT						3	
21		NM6080001SC		NUT M8X1.25						6	
22		16577405		WASHER						6	
23		18202408		BUTTON GUIDE A						1	
24		WP0320500SC		WASHER M3						2	
25		SM4030601SN		SCREW M3 X 6						2	
26		GBR014220A0		SELECTION PLATE ASM. (SMALL)	OPTIONAL PART					1	
27	D	18251553		SELECTION PLATE ASM. (VERY SMA						1	
28		SM4040801SN		SCREW M4 L=8						1	
29		WP0450801SD		WASHER 4.5X10X0.8						2	
30		WP0531000SC		WASHER 5.3X10X1						1	
31		WP0841601SC		WASHER 8.4X17.4X1.6						1	

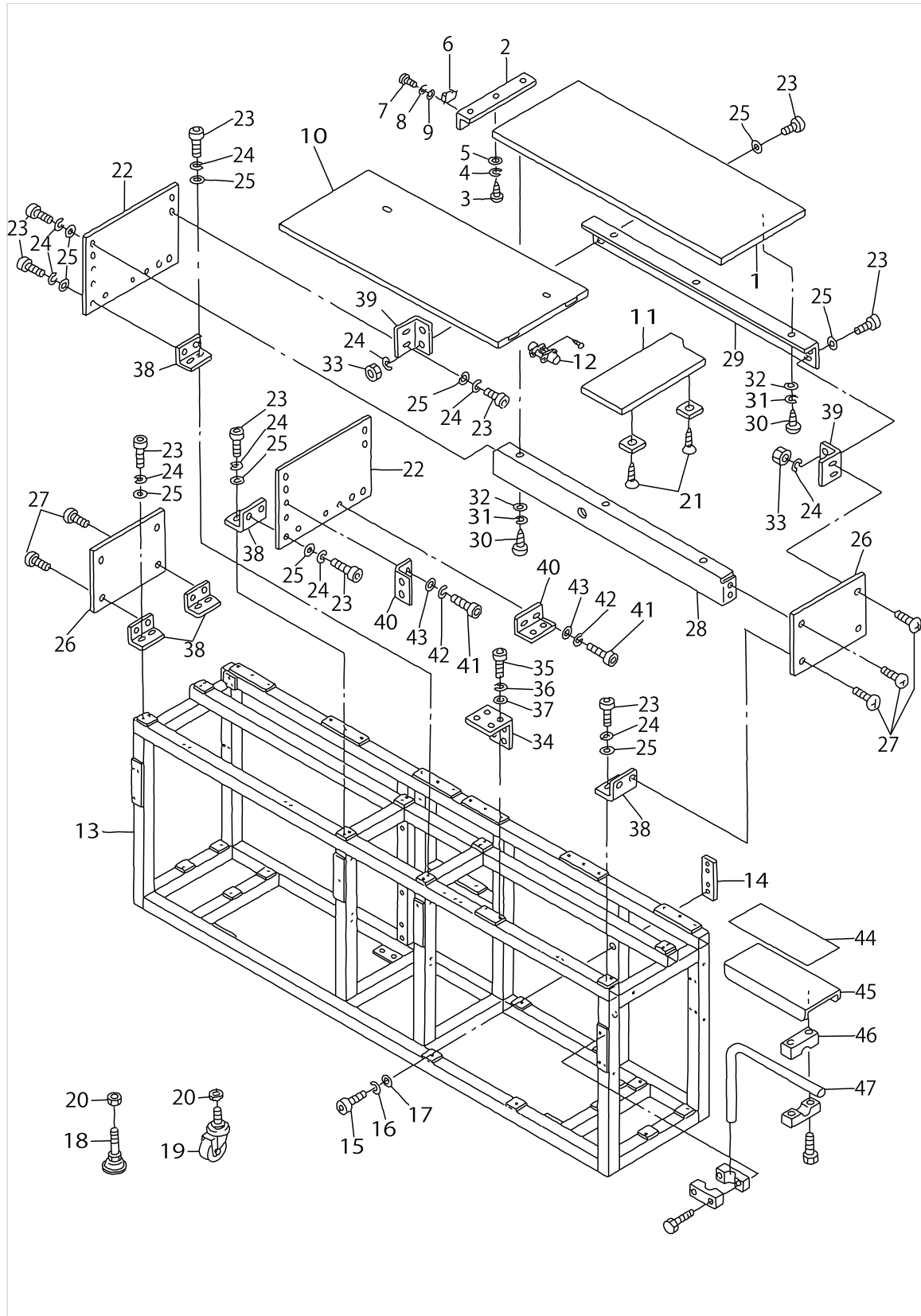
ACCESSORIES COMPONENTS



ACCESSORIES COMPONENTS

No.	Supply Code	Parts No.	Replacement	Parts name	Remarks	Choice	Step	Level	Cons	Qty	Rep. QTY
1		18200501		WORK ATTACHMENT (SMALL)						3	
2		16558009		BUTTON CARRIER B						1	
3		16558108		RING, SMALL						1	
4	D	G5135164000		WOMAN GAUGE						1	
5		G5138161000		RUBBER CAP						1	
6		GBR01423000		SELECTOR PLATE, MEDIUM						1	
7		GBR01422000		SELECTOR PLATE, SMALL						1	
8		HD000830000		PHOTO SENSOR						1	
9		HD000670000		SENSOR						1	
10		HD000840000		PHOTO SENSOR						1	
11	D	HA000830000		MICROSWITCH						1	
12	R	B9118232000	26234005	VINYL COVER						1	1.00
13		B91210120A0		OILER ASM.						1	
14		B9142372000		HEXAGONAL WRENCH (7.1X8.1)						1	
15		GCT02906000		HEXAGONAL SPANNER						1	
16	D	D9101L9SB00		HEXAGONAL BAR SPANNER						1	
17		B9141372000		HEXAGONAL WRENCH, LARGE						1	
18		GCT02904000		SPANNER						1	
19		GCT02905000		SPANNER						1	
20	R	B9109555000	22933006	SCREW DRIVER, LARGE						1	1.00
21	R	B9110012000	22933105	SCREW DRIVER, MIDDLE						1	1.00
22	R	B9111012000	22933204	SCREW DRIVER, SMALL						1	1.00
23	R	B9112012000	26034702	WRENCH (11X14)						1	1.00
24		B9113012000		WRENCH (9X10)						1	
25		B9143372000		WRENCH (7.1 X 8.1)						1	
26	D	MDP170B1404		NEEDLE DPX17 #14 (285-521)	SELECTIVE PARTS					1	
27	D	MDP170B1604		NEEDLE DPX17 #16-4EA.	SELECTIVE PARTS					1	
28	D	MC372000905		NEEDLE SY3355 90-5	SELECTIVE PARTS					1	
29	D	MC372001005		NEEDLESY3355100-5	SELECTIVE PARTS					1	
30		13812102		BOBBIN						4	
31		13533203		WRENCH						1	
32	R	B9101552000	22932800	ACCESSORY BOX						1	1.00
33		G5139164000		EXTENSION PLATE						3	
34		B8601WP10A0		TOOL BOX ASM.						1	
35		13525506		GREASE TUBE						1	
36		18204701		SCALE						4	
37		GBR01437000		AUXILIARY PLATE						1	
38		18250407		SANDER (CLOTH)						3	
39		18250506		SANDER (CORD)						2	

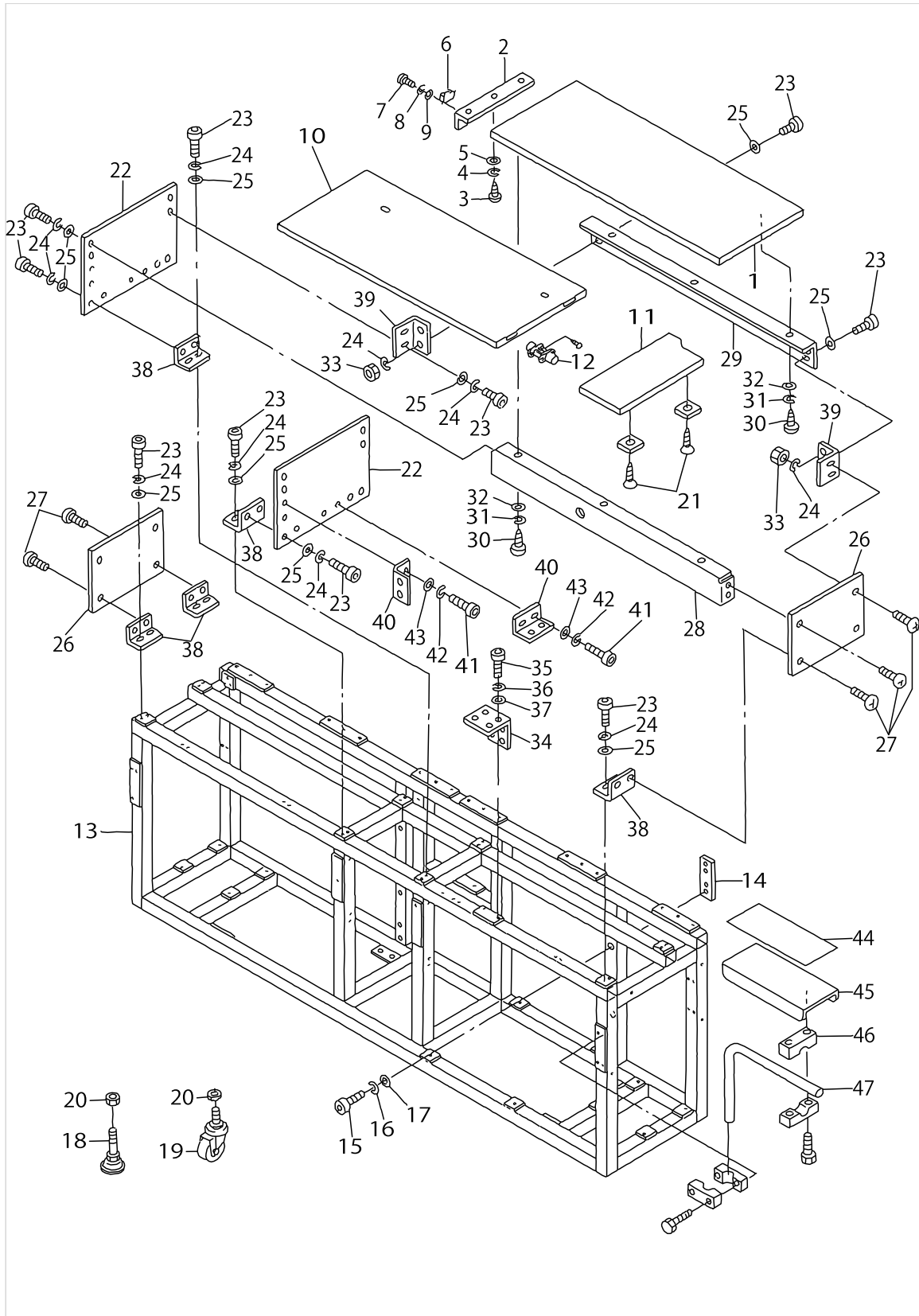
FRAME COMPONENTS



FRAME COMPONENTS

No.	Supply Code	Parts No.	Replacement	Parts name	Remarks	Choice	Step	Level	Cons	Qty	Rep. QTY
1		G5016164000		TABLE, RIGHT						1	
2		G5018164000		BRACKET						1	
3		SK3381601SC		WOOD SCREW D=3.8 L=16						3	
4		WS0410002KN		SPRING WASHER						3	
5		WP0430801SC		WASHER 4.3X9X0.8						3	
6		G5045164000		MAGNET CATCH						2	
7		SM6030602TP		SCREW M3X0.5 L=6						4	
8		WS0310002KN		SPRING WASHER M3						4	
9		WP0320501SC		WASHER M3						4	
10		G5015164000		TABLE, LEFT						1	
11		G5017164A00		MOVABLE TABLE						1	
12		G5020164000		HINGE						2	
13		G5001164000		BASE FRAME						1	
14		G5041164000		CONNECTING PLATE						4	
15		SM6082002TN		SCREW M8 L=20						16	
16		WS0820002KN		SPRING WASHER M8						16	
17		WP0841601SC		WASHER 8.4X17.4X1.6						16	
18		G5033172000		ADJUSTER						4	
19		G5032164000		CASTER						6	
20		NM6160001SC		NUT						10	
21		SK1271301SC		WOOD SCREW						2	
22		G5002164000		TABLE SUPPORT PLATE INNER						2	
23		SM6061202TP		SCREW M6 L=12						36	
24		WS0610002KN		SPRING WASHER 6.1X12.2X1.5						36	
25		WP0641601SC		WASHER						36	
26		G5003164000		TABLE SUPPORT PLATE OUTER						2	
27		SM0060801SA		SCREW						8	
28		G5004164000		TABLE SUPPORT, FRONT						2	
29		G5005164000		TABLE SUPPORT, REAR						2	
30		SK3381601SC		WOOD SCREW D=3.8 L=16						12	
31		WS0410002KN		SPRING WASHER						12	
32		WP0430801SC		WASHER 4.3X9X0.8						12	
33		NM6060001SC		NUT M6						4	
34		G5028164000		INSTALLING PLATE						1	
35		SM6061202TP		SCREW M6 L=12						2	
36		WS0610002KN		SPRING WASHER 6.1X12.2X1.5						2	
37		WP0641601SC		WASHER						2	
38	D	G5038171000		SIDE PLATE SUPPORT						8	
39		G5045171000		SIDE PLATE HOLDER						4	
40		G5034171000		COVER SUPPORT						14	
41		SM6040802TP		SCREW M4X0.7 L=8						28	
42		WS0410002KN		SPRING WASHER						28	
43		WP0430801SC		WASHER 4.3X9X0.8						28	
44		G5022164000		CUSHION						1	
45		G5021164000		CLOTH TABLE						1	
46		B1141229000		OPERATION BOX STRUT CLAMP						4	

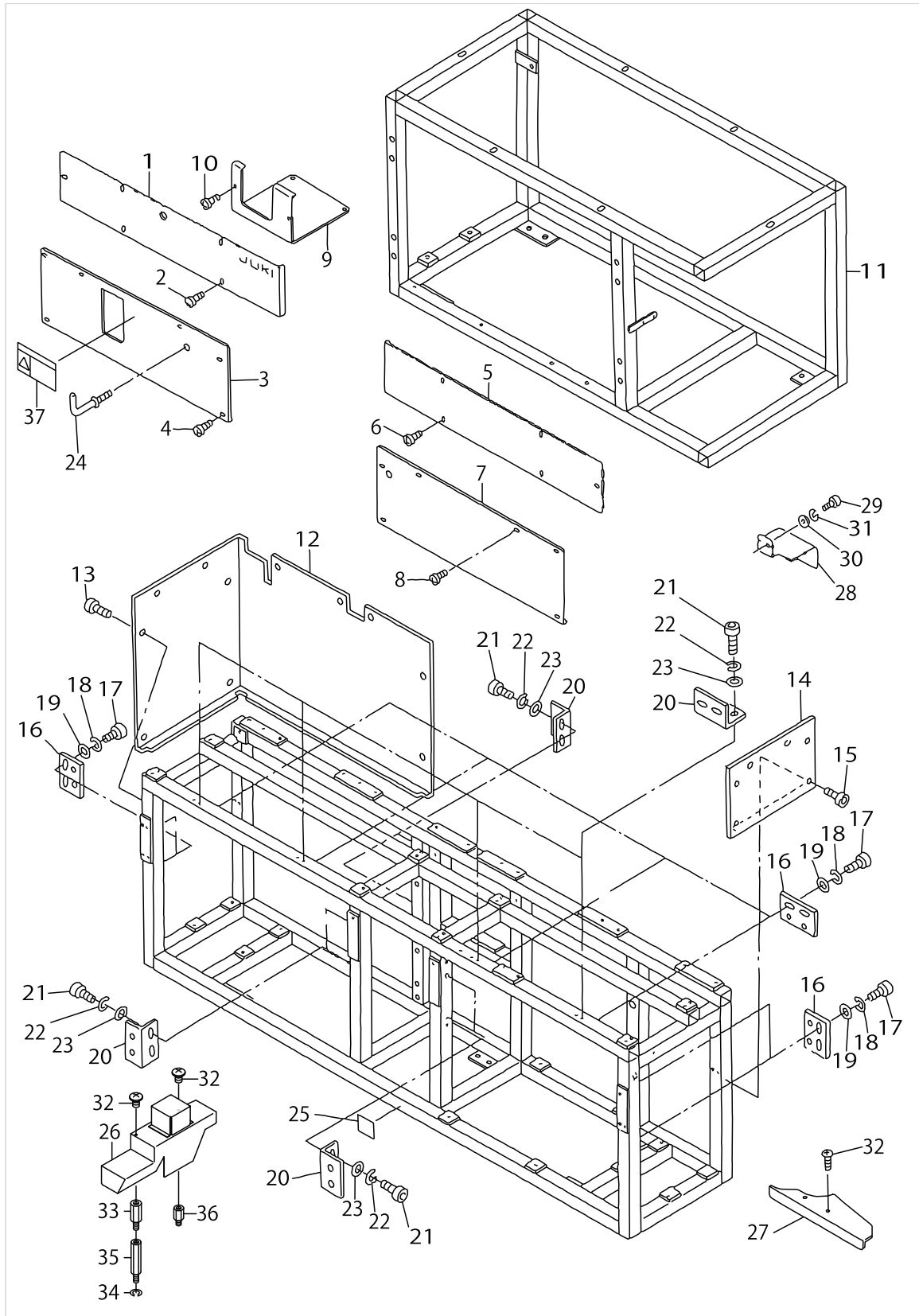
FRAME COMPONENTS



FRAME COMPONENTS

No.	Supply Code	Parts No.	Replacement	Parts name	Remarks	Choice	Step	Level	Cons	Qty	Rep. QTY
47		G5023164000		STAY						1	

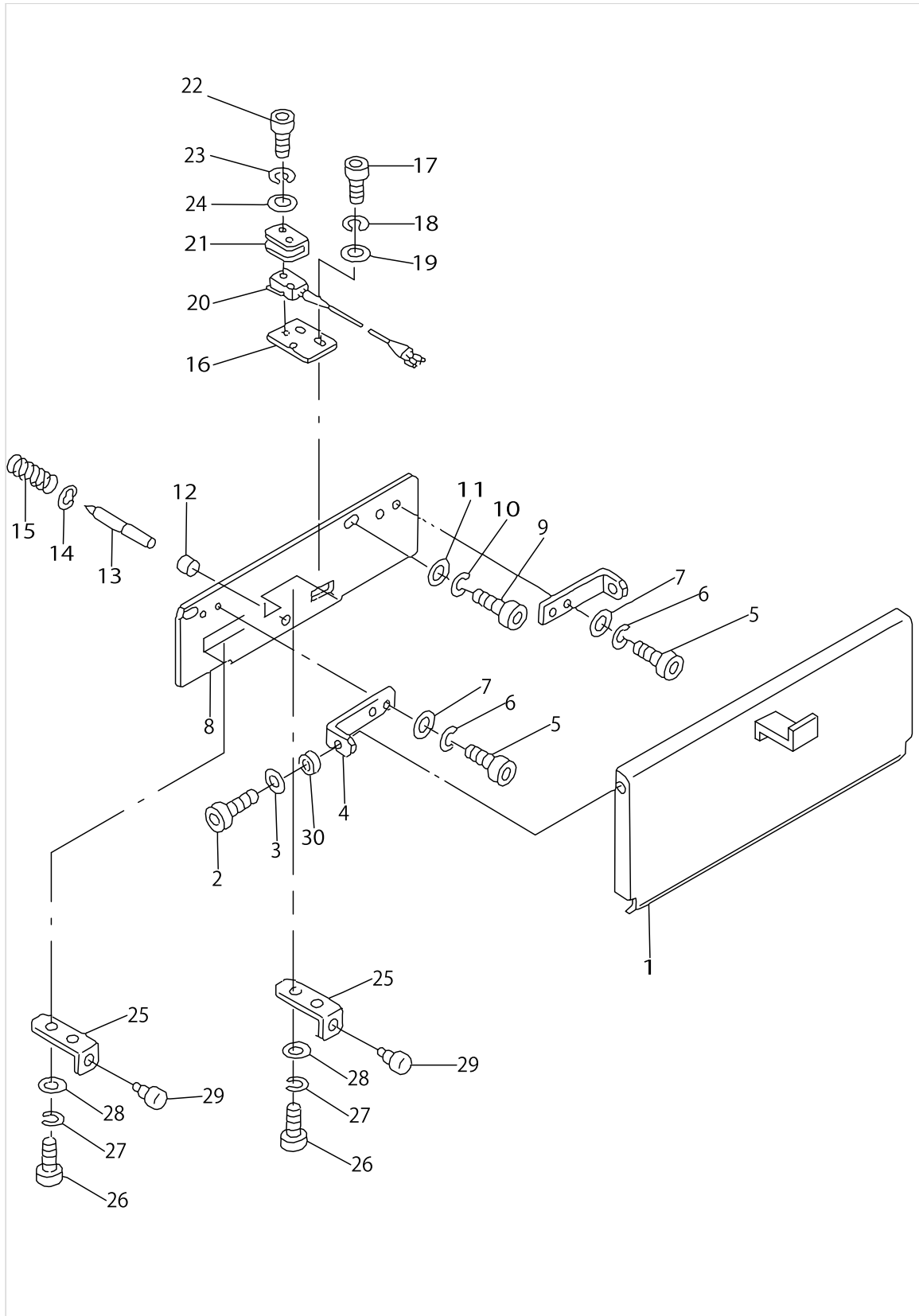
COVER COMPONENTS



COVER COMPONENTS

No.	Supply Code	Parts No.	Replacement	Parts name	Remarks	Choice	Step	Level	Cons	Qty	Rep. QTY
1		G5034164000		RIGHT UPPER COVER						1	
2		SM0040601SA		SCREW						5	
3		G5036164000		RIGHT LOWERCOVER						1	
4		SM0040601SA		SCREW						6	
5		G5033164000		LEFT UPPER COVER						1	
6		SM0040601SA		SCREW						5	
7		G5035164000		LEFT LOWER COVER						1	
8		SM0040601SA		SCREW						6	
9		G5039164A00		MIDDLE COVER						1	
10		SM0040601SA		SCREW						2	
11		G5401164A00		MACHINE BASE						1	
12		G5037164000		LEFT SIDE COVER						1	
13		SM0040601SA		SCREW						11	
14		G5038164000		RIGHT SIDE COVER						1	
15		SM0040601SA		SCREW						6	
16		G5040164000		COVER SUPPORT, B						8	
17		SM6040802TP		SCREW M4X0.7 L=8						16	
18		WS0410002KN		SPRING WASHER						16	
19		WP0430801SC		WASHER 4.3X9X0.8						16	
20		G5034171000		COVER SUPPORT						14	
21		SM6040802TP		SCREW M4X0.7 L=8						28	
22		WS0410002KN		SPRING WASHER						28	
23		WP0430801SC		WASHER 4.3X9X0.8						28	
24		G5026162000		HOOK						1	
25		16870206		GRAVITY SEAL						1	
26	D	18228007		COVER						1	
27		18222604		FRONT COVER A						1	
28		16586307		COVER,REAR						1	
29		SM6041002TP		SCREW M4 L=10						2	
30		WP0430800SC		WASHER M4						2	
31		WS0410002KN		SPRING WASHER						2	
32		SM0040601SA		SCREW						2	
33	R	18228106	E3724715000	SPACER B						1	1.00
34		WS0410002KN		SPRING WASHER						1	
35		HX00339000B		BOARD PARTS						1	
36		HX003390000		STUD						1	
37		CM300200202		SAFETY LABEL 2 (LARGE)	FOR JAPAN					1	

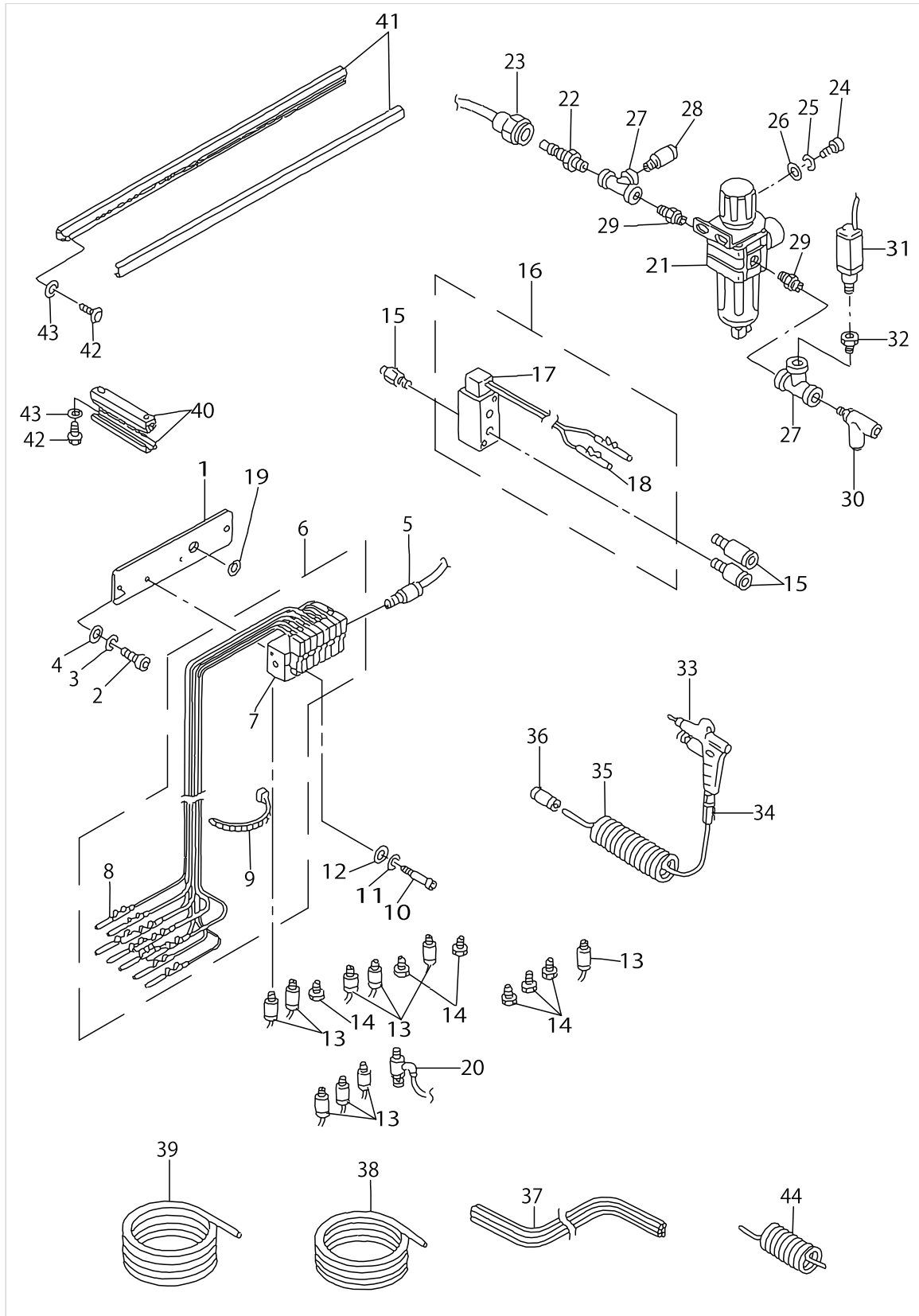
COVER & KNEE SWITCH COMPONENTS



COVER & KNEE SWITCH COMPONENTS

No.	Supply Code	Parts No.	Replacement	Parts name	Remarks	Choice	Step	Level	Cons	Qty	Rep. QTY
1		G5025164000		START SWITCH PLATE						1	
2		SM6061202TP		SCREW M6 L=12						2	
3		WP0641601SC		WASHER						2	
4		G5027164000		START SWITCH SHAFT PLATE						2	
5		SM6040802TP		SCREW M4X0.7 L=8						4	
6		WS0410002KN		SPRING WASHER						4	
7		WP0430801SC		WASHER 4.3X9X0.8						4	
8		G5024164000		INSTALLING PLATE						1	
9		SM6061202TP		SCREW M6 L=12						2	
10		WS0610002KN		SPRING WASHER 6.1X12.2X1.5						2	
11		WP0641601SC		WASHER						2	
12		G5138161000		RUBBER CAP						1	
13	D	G5026164000		START SWITCH ROD						1	
14		RE0400000K0		E-RING 4						1	
15		G5019171000		SPRING						1	
16	D	G5020171000		SWITCH HOLDER						1	
17		SM6040802TP		SCREW M4X0.7 L=8						2	
18		WS0410002KN		SPRING WASHER						2	
19		WP0430801SC		WASHER 4.3X9X0.8						2	
20		G61041640A0		START SW ASM.						1	
21		MA011602N00		MICRO-SWITCH COVER						1	
22		SM6031602TP		SCREW						2	
23		WS0310002KN		SPRING WASHER M3						2	
24		WP0320501SC		WASHER M3						2	
25		G5009162000		STOPPER PLATE						2	
26		SM6040802TP		SCREW M4X0.7 L=8						4	
27		WS0410002KN		SPRING WASHER						4	
28		WP0430801SC		WASHER 4.3X9X0.8						4	
29		G5021171000		RUBBER CUSHION						2	
30		B2544280000		WASHER, FOR WORK CLAMP FOOT HO						2	

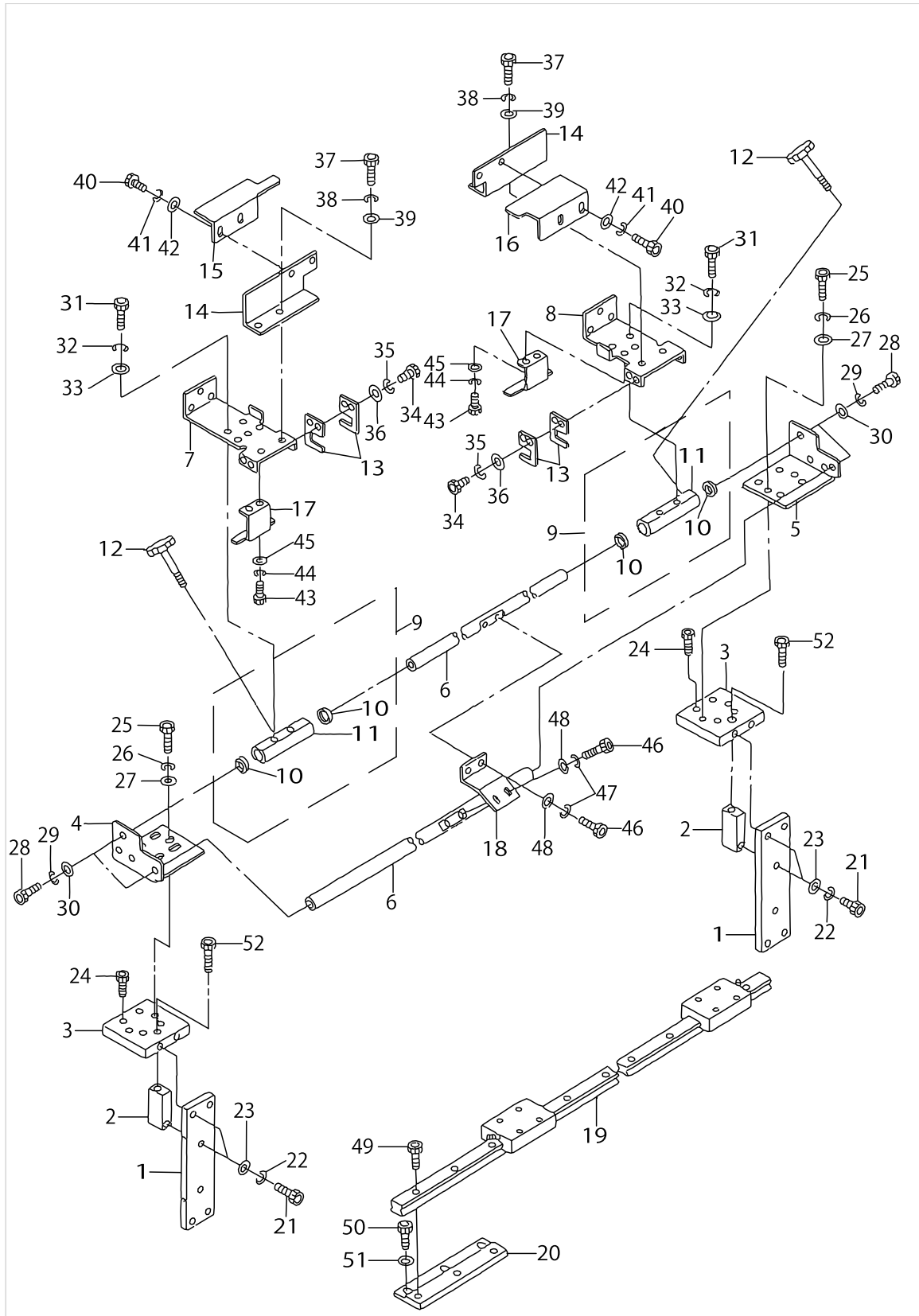
SOLENOID VALVE & REGULATOR COMPONENTS



SOLENOID VALVE & REGULATOR COMPONENTS

No.	Supply Code	Parts No.	Replacement	Parts name	Remarks	Choice	Step	Level	Cons	Qty	Rep. QTY
1		G5029164000		SOLENOID VALVE PLATE						1	
2		SM6061202TP		SCREW M6 L=12						2	
3		WS0610002KN		SPRING WASHER 6.1X12.2X1.5						2	
4		WP0641601SC		WASHER						2	
5		PJ301065103		HALF UNION 6XPT1/8						1	
6	D	G64011640A0		SOLENOID VALVE ASM. (1)						1	
7		PV1551080A0		SOLENOID VALVE				*		1	
8		HK03464000A		TERMINAL, FEMALE				*		16	
9		EA9500B0100		CABLE BAND				*		2	
10		SM6033052TP		SCREW						2	
11		WS0310002KN		SPRING WASHER M3						2	
12		WP0320501SC		WASHER M3						2	
13		PJ301040504		JOINTING						10	
14		PJ020500001		PLUG						6	
15		PJ301065103		HALF UNION 6XPT1/8						3	
16		G64021640A0		SOLENOID VALVE ASM. (2)						1	
17		PV1551070A0		SOLENOID VALVE				*		1	
18		HK03464000A		TERMINAL, FEMALE				*		2	
19	D	HX00055000J		RUBBER BUSHING						1	
20		PC010514000		SPEED CONTROLLER						1	
21		PF0552090A0		REGULATOR ASM.						1	
22		PJ309005203		QUICK JOINT PLUG						1	
23		PJ309005201		PLUG						1	
24		SM6061202TP		SCREW M6 L=12						2	
25		WS0610002KN		SPRING WASHER 6.1X12.2X1.5						2	
26		WP0641601SC		WASHER						2	
27		PJ050525201		TEE						2	
28		PJ301065201		HALF UNION 6XPT1/4						1	
29		PJ030520001		RING JOINT (NIPPLE)						2	
30		PJ305065201		TEE UNION						1	
31	D	G61071640A0		AIR PRESSURE SENSOR SW ASM.						1	
32		PJ015251001		BUSHING						1	
33		16111403		AIR GUN						1	
34	R	16111502	PJ304065102	SOCKET						1	1.00
35		G5458116000		CURLED TUBE						1	
36		PJ303060001		STRAIGHT UNION						1	
37		G5841270000		TUBE						5	
38		BT0600401EB		TUBE						5	
39		BT0400251EB		URETHANE HOSE, BLACK						3	
40		G6801164000		DUCT, A						2	
41		G6802164000		DUCT, B						1	
42		SL4041081SF		SCREW M4 L=10						6	
43		WP0450801SD		WASHER 4.5X10X0.8						6	
44		G5046164000		TUBE						1	

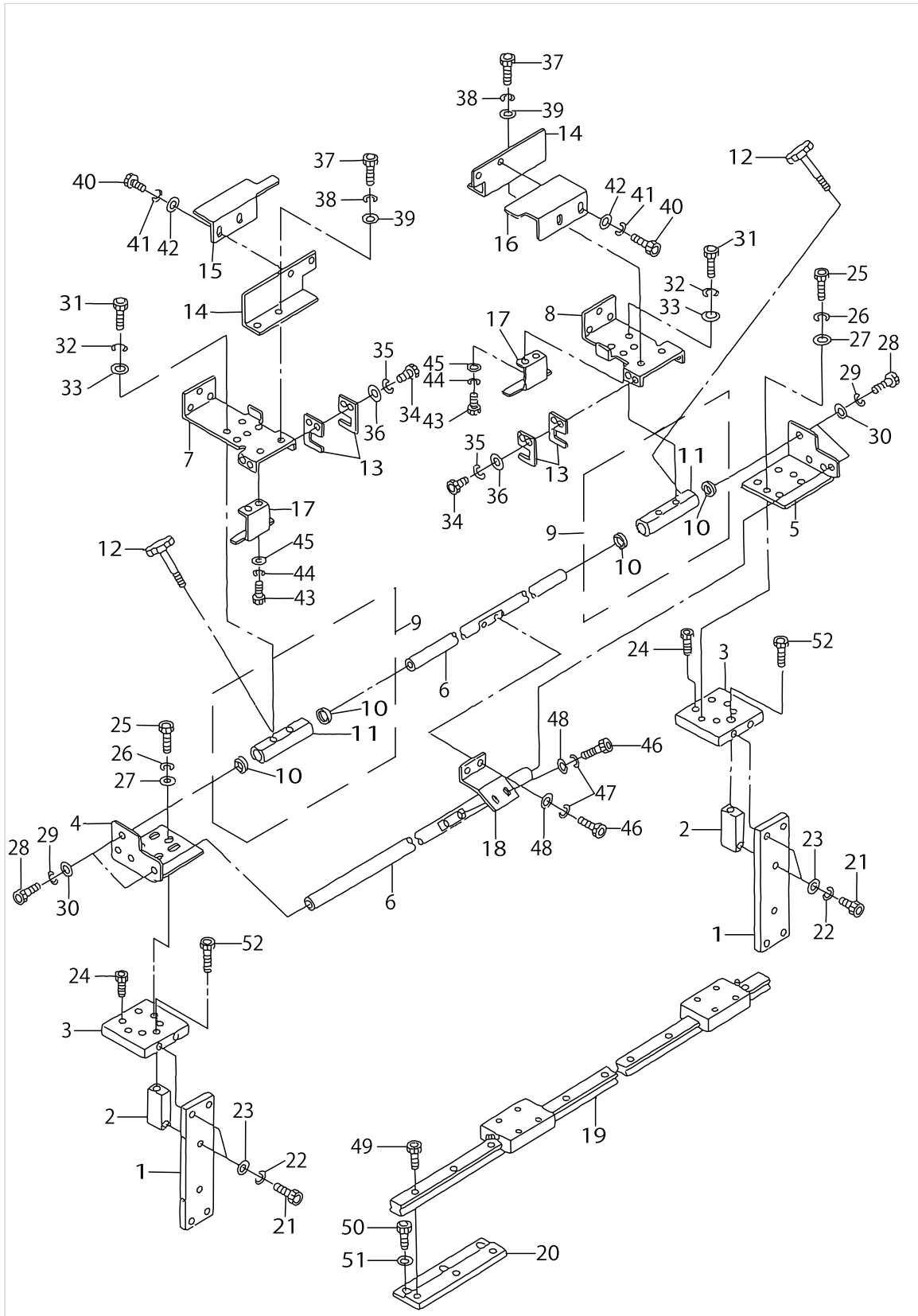
FEED MECHANISM COMPONENTS



FEED MECHANISM COMPONENTS

No.	Supply Code	Parts No.	Replacement	Parts name	Remarks	Choice	Step	Level	Cons	Qty	Rep. QTY
1		G5103164000		STAND						2	
2		G5104164000		STAND SUPPORT						2	
3		G5105164000		LM BASE						2	
4		G5106164000		SLIDER SHAFT SUPPORT, LEFT						1	
5	D	G5107164000		SLIDER SHAFT SUPPORT, RIGHT						1	
6	D	G5108164000		SLIDER SHAFT						2	
7		G5109164000		FEEDER MAIN FRAME						1	
8		G5110164000		FEEDER MAIN FRAME, RIGHT						1	
9	D	G51111640A0		SLIDER SHAFT BLOCK ASM.						2	
10		G5113164000		BUSH				*		4	
11		G5112164000		SLIDER SHAFT BLOCK				*		2	
12		G5114164000		BUSH						2	
13		G5115164000		FIXED PLATE						4	
14		G5120164000		PLATE SUPPORT						2	
15	D	G5121164000		CLAMP PLATE, LEFT						1	
16	D	G5122164000		CLAMPPLATE, RIGHT						1	
17		G5123164000		SENSOR PLATE						2	
18		G5134164000		COUPLING PLATE						1	
19		G5010164000		FEED RAIL						1	
20		G5009164000		FEED RAIL SUPPORT PLATE						6	
21		SM6062002TP		SCREW M6 L=20						6	
22		WS0610002KN		SPRING WASHER 6.1X12.2X1.5						6	
23		WP0641601SC		WASHER						6	
24		SM6051202TP		SCREW M5X0.8 L=12						8	
25		SM6061202TP		SCREW M6 L=12						4	
26		WS0610002KN		SPRING WASHER 6.1X12.2X1.5						4	
27		WP0641601SC		WASHER						4	
28		SM6061602TP		SCREW M6 L=16						4	
29		WS0610002KN		SPRING WASHER 6.1X12.2X1.5						4	
30		WP0641601SC		WASHER						4	
31		SM6061002TP		SCREW M6 L=10						4	
32		WS0610002KN		SPRING WASHER 6.1X12.2X1.5						4	
33		WP0641601SC		WASHER						4	
34		SM6041002TP		SCREW M4 L=10						4	
35		WS0410002KN		SPRING WASHER						4	
36		WP0430801SC		WASHER 4.3X9X0.8						4	
37		SM6040802TP		SCREW M4X0.7 L=8						4	
38		WS0410002KN		SPRING WASHER						4	
39		WP0430801SC		WASHER 4.3X9X0.8						4	
40		SM6040802TP		SCREW M4X0.7 L=8						4	
41		WS0410002KN		SPRING WASHER						4	
42		WP0430801SC		WASHER 4.3X9X0.8						4	
43		SM6040802TP		SCREW M4X0.7 L=8						4	
44		WS0410002KN		SPRING WASHER						4	
45		WP0430801SC		WASHER 4.3X9X0.8						4	
46		SM6061202TP		SCREW M6 L=12						4	

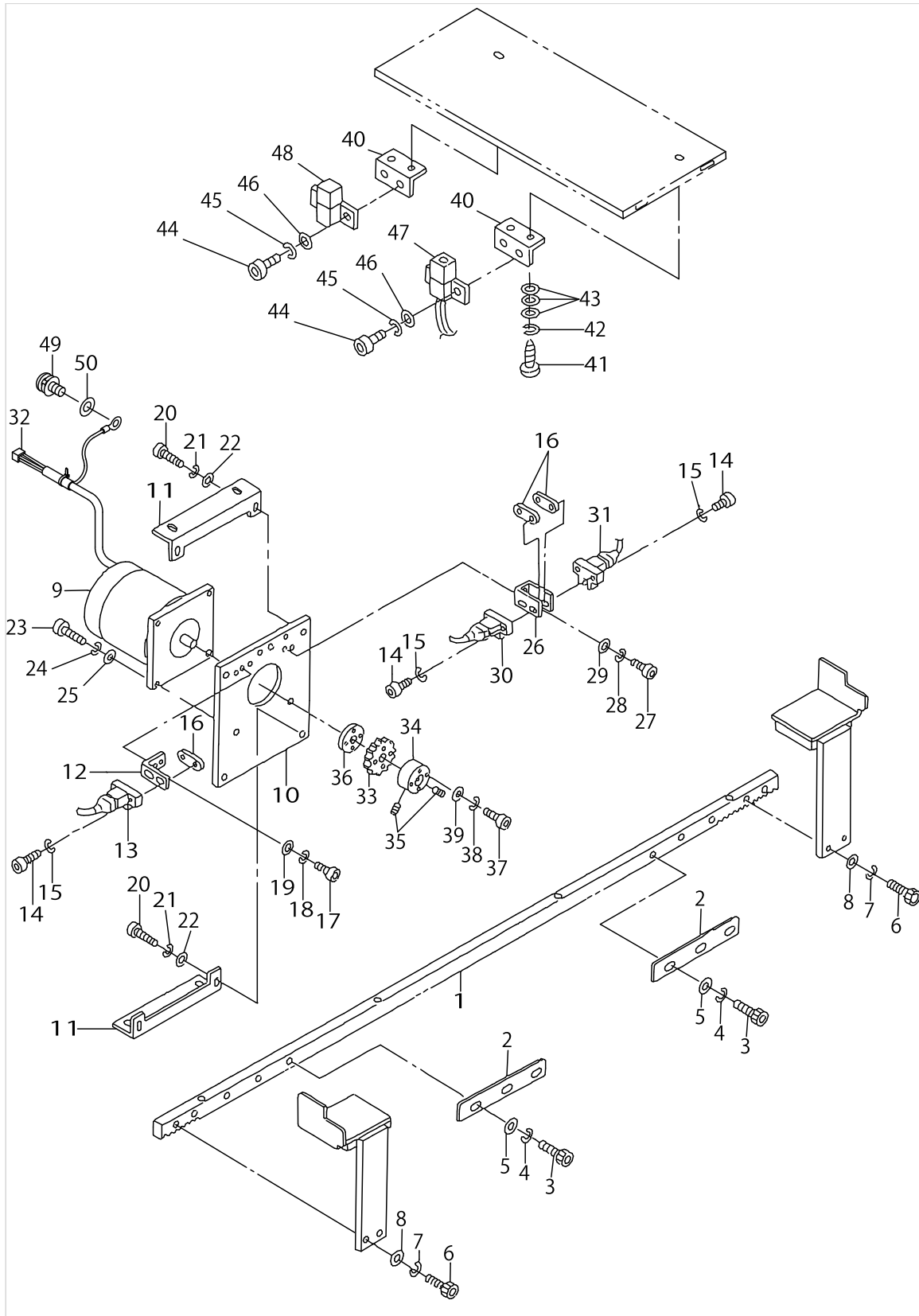
FEED MECHANISM COMPONENTS



FEED MECHANISM COMPONENTS

No.	Supply Code	Parts No.	Replacement	Parts name	Remarks	Choice	Step	Level	Cons	Qty	Rep. QTY
47		WS0610002KN		SPRING WASHER 6.1X12.2X1.5						4	
48		WP0641601SC		WASHER						4	
49		SM6051202TP		SCREW M5X0.8 L=12						18	
50		SM6051202TP		SCREW M5X0.8 L=12						18	
51		WP0621016SH		WASHER						18	
52		SM6062002TP		SCREW M6 L=20						2	

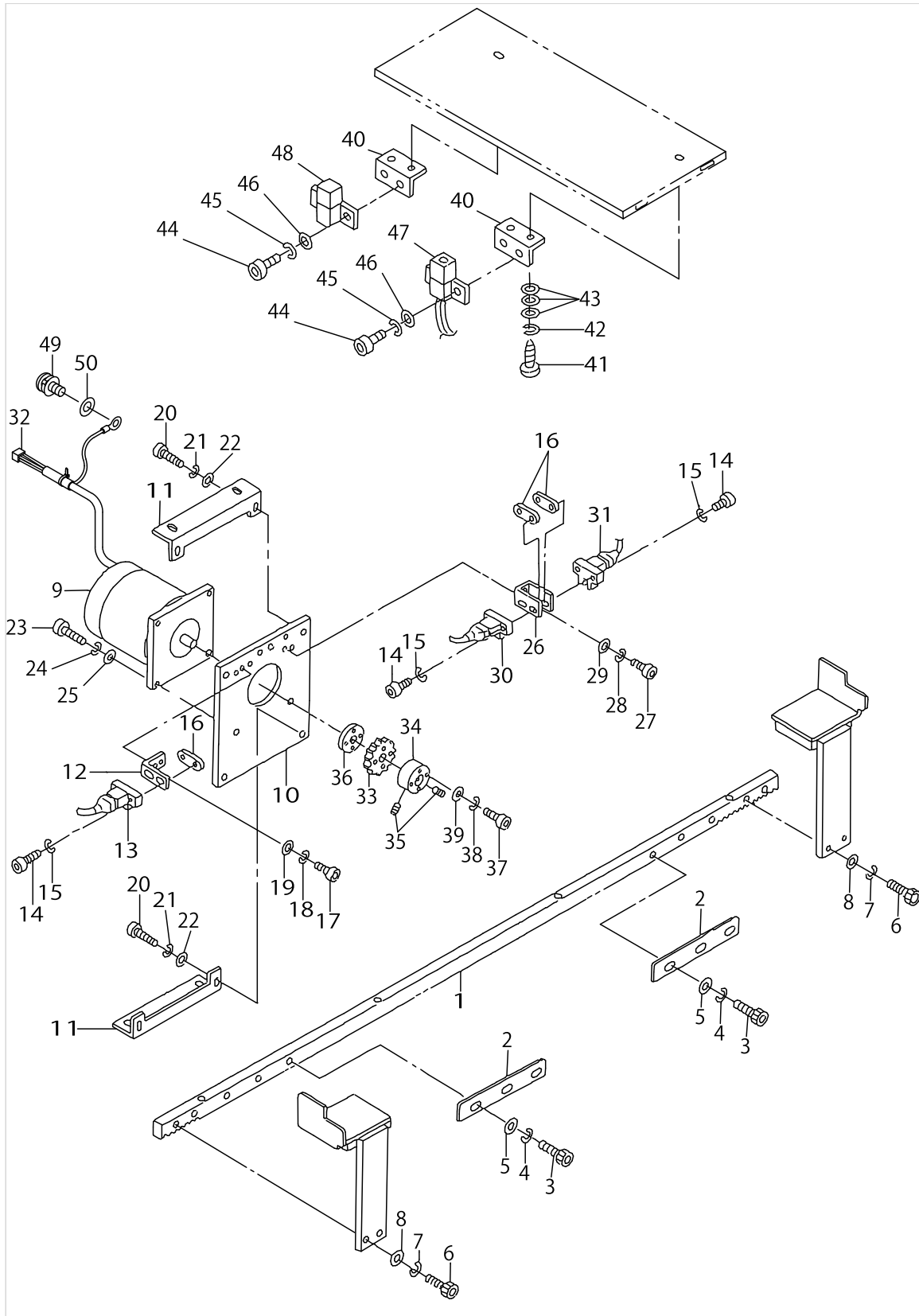
FEED MECHANISM DRIVE & SWITCH COMPONENTS



FEED MECHANISM DRIVE & SWITCH COMPONENTS

No.	Supply Code	Parts No.	Replacement	Parts name	Remarks	Choice	Step	Level	Cons	Qty	Rep. QTY
1		G5101164000		RACK						1	
2		G5102164000		ORIGINAL POINT SENSOR PLATE						2	
3		SM6040802TP		SCREW M4X0.7 L=8						6	
4		WS0410002KN		SPRING WASHER						6	
5		WP0430801SC		WASHER 4.3X9X0.8						6	
6		SM6062002TP		SCREW M6 L=20						4	
7		WS0610002KN		SPRING WASHER 6.1X12.2X1.5						4	
8		WP0641601SC		WASHER						4	
9		HM000570000		STEPPING MOTOR						1	
10		G5012164000		PM INSTALLING PLATE						1	
11		G5011164000		PM FIXED BASE						2	
12		G5013164000		SENSOR INSTALLING PLATE						1	
13		G61021640A0		SPEED TRANSMISS- ION SENSOR SW						1	
14		SM6031502TP		SCREW M3 X 15						6	
15		WS0310002KN		SPRING WASHER M3						6	
16		G5153171000		SENSOR PLATE						3	
17		SM6040802TP		SCREW M4X0.7 L=8						2	
18		WS0410002KN		SPRING WASHER						2	
19		WP0430801SC		WASHER 4.3X9X0.8						2	
20		SM6061202TP		SCREW M6 L=12						4	
21		WS0610002KN		SPRING WASHER 6.1X12.2X1.5						4	
22		WP0641601SC		WASHER						4	
23		SM6082502TN		BOLT						4	
24		WS0820002KN		SPRING WASHER M8						4	
25		WP0841601SC		WASHER 8.4X17.4X1.6						4	
26		G5014164000		SENSOR INSTALLING PLATE						1	
27		SM6040802TP		SCREW M4X0.7 L=8						2	
28		WS0410002KN		SPRING WASHER						2	
29		WP0430801SC		WASHER 4.3X9X0.8						2	
30	D	G61011640A0		HOME POSITION SE- NSOR SW ASM.						1	
31		G61031640A0		DISCRIMINATION SW ASM.						1	
32		G65021640A0		PULCE MOTOR CORD ASM.						1	
33		G5109171000		FEED BLOCK GEAR						1	
34		G5110171000		BOSS						1	
35		SM8060802TP		SCREW M6 L=8						2	
36	D	G5111171000		GEAR HOLDER						1	
37		SM6033052TP		SCREW						4	
38		WS0310002KN		SPRING WASHER M3						4	
39		WP0320501SC		WASHER M3						4	
40		G5019164000		SENSOR INSTALLING PLATE						2	
41		SK3311301SA		WOOD SCREW D=3.1 L=13						4	
42		WS0410002KN		SPRING WASHER						4	
43		WP0430801SC		WASHER 4.3X9X0.8						12	
44		SM6030802TP		SCREW M3X0.5 L=8						4	
45		WS0310002KN		SPRING WASHER M3						4	

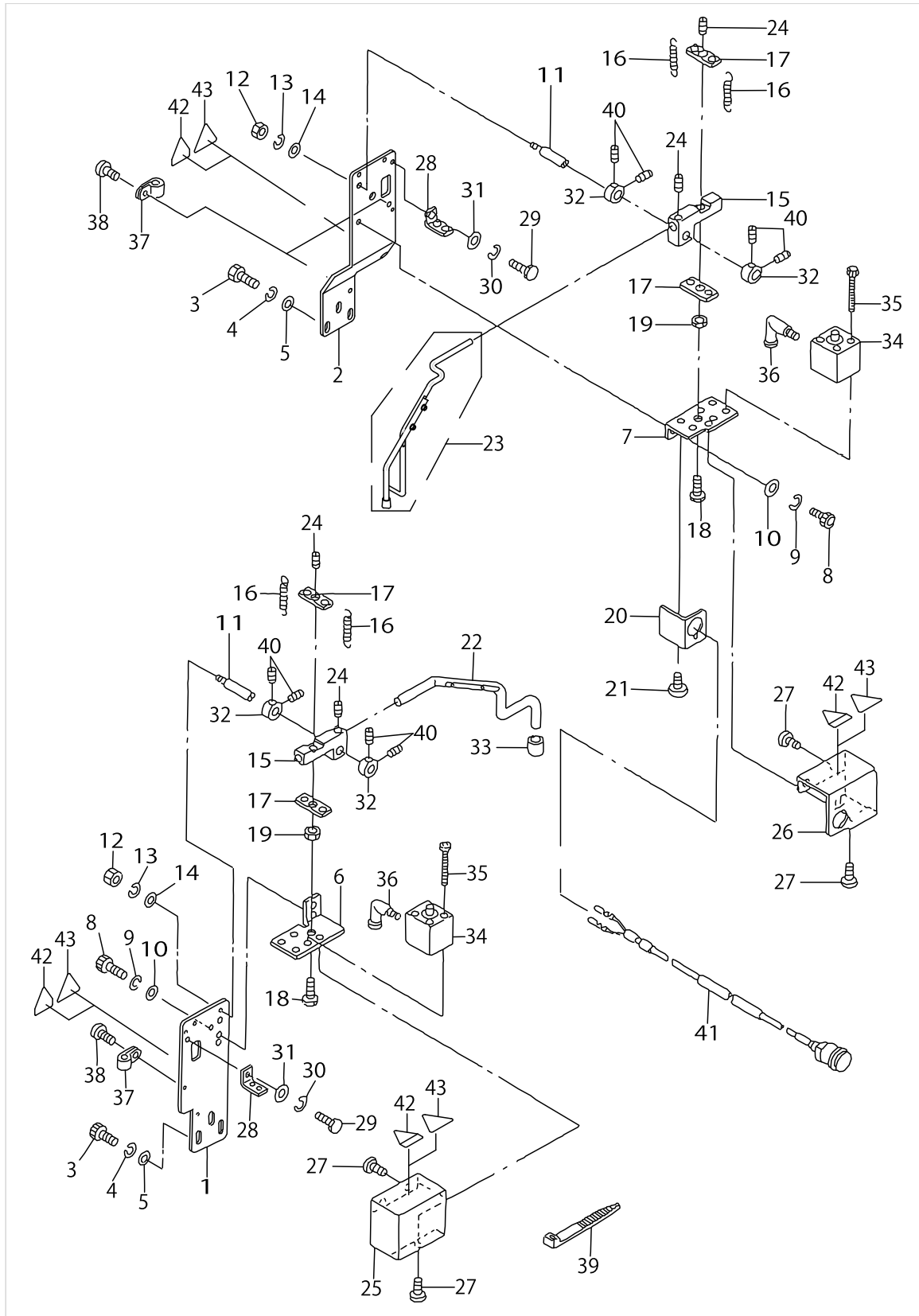
FEED MECHANISM DRIVE & SWITCH COMPONENTS



FEED MECHANISM DRIVE & SWITCH COMPONENTS

No.	Supply Code	Parts No.	Replacement	Parts name	Remarks	Choice	Step	Level	Cons	Qty	Rep. QTY
46		WP0320501SC		WASHER M3						4	
47		G61101640A0		CLOTH EDGE SENSOR 1 ASM.						1	
48		G61111640A0		CLOTH EDGE SENSOR 2 ASM.						1	
49		SL4041081SF		SCREW M4 L=10						1	
50		WT0430001KN		TOOTHED WASHER						1	

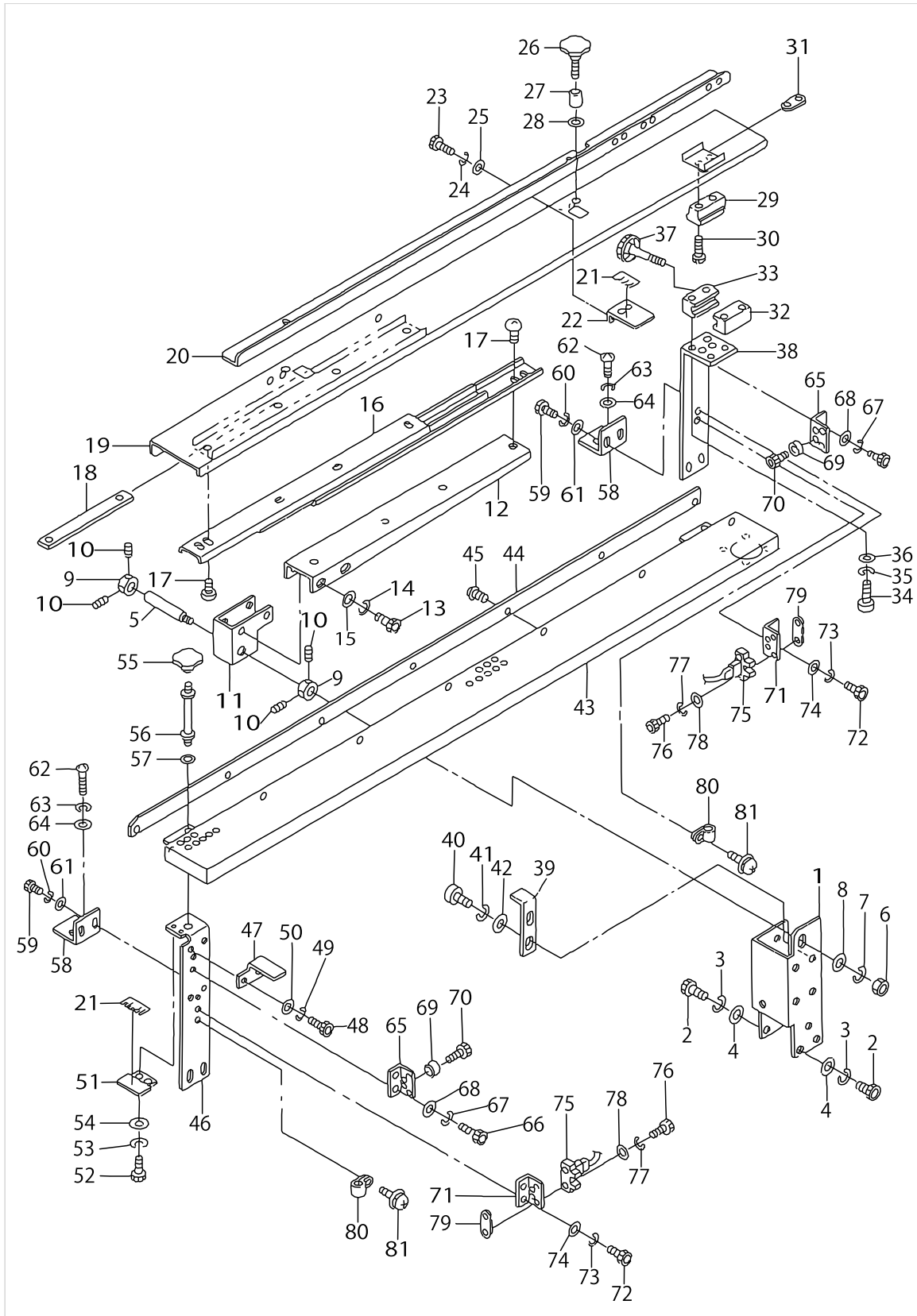
CLAMP ARM COMPONENTS



CLAMP ARM COMPONENTS

No.	Supply Code	Parts No.	Replacement	Parts name	Remarks	Choice	Step	Level	Cons	Qty	Rep. QTY
1		G5116164000		CLAMP PLATE, LEFT						1	
2		G5117164000B		CLAMPPLATE, RIGHT						1	
3		SM6061202TP		SCREW M6 L=12						6	
4		WS0610002KN		SPRING WASHER 6.1X12.2X1.5						6	
5		WP0641601SC		WASHER						6	
6		G5118164000		CLAMP CYLINDER PLATE, LEFT						1	
7	D	G5119164000		CLAMP CYLINDER PLATE, RIGHT						1	
8		SM6061202TP		SCREW M6 L=12						4	
9		WS0610002KN		SPRING WASHER 6.1X12.2X1.5						4	
10		WP0641601SC		WASHER						4	
11		G5124164000		CLAMP SHAFT						2	
12		NM6060001SC		NUT M6						2	
13		WS0610002KN		SPRING WASHER 6.1X12.2X1.5						2	
14		WP0641601SC		WASHER						2	
15		G5125164000		CLAMP HOLDER						2	
16		G5126164000		SPRING						4	
17	D	G5127164000		SPRING HOOK						4	
18		G5128164000		TENSION BOLT						2	
19		NM6060001SC		NUT M6						2	
20		G5129164000		SWITCH INSTALLING PLATE						1	
21		G5144162000		SCREW						2	
22		G5130164A00		CLAMP, LEFT						1	
23		G51311640A0		CLAMP FOOT ASM., RIGHT						1	
24		SM8040402TP		SCREW M4X0.7 L=4						4	
25		G5132164000		CLAMP COVER, LEFT						1	
26	D	G5133164000		CLAMP COVER, RIGHT						1	
27		G5144162000		SCREW						6	
28		B4131357000		NEEDLE GUARD AD- JUSTING GUIDE						2	
29		SM9041050SC		SCREW M4X0.7 L=10						2	
30		WS0410002KN		SPRING WASHER						2	
31		WP0430801SC		WASHER 4.3X9X0.8						2	
32	R	G2526270000	E4704172000	COLLAR						4	1.00
33		G5138161000		RUBBER CAP						1	
34		PA160100500		AIR CYLINDER						2	
35		SM6033052TP		SCREW						8	
36		PJ304040504		ELBOW UNION						2	
37		HX00150000A		CABLE CLAMP						4	
38		SM0040601SA		SCREW						4	
39		EA9500B0100		CABLE BAND						6	
40		SM8040402TP		SCREW M4X0.7 L=4						8	
41	D	G61121640A0		CLOTH PRESSER C- ANCELLATION SW						1	
42		CM3002000B2		LABEL(25).	FOR JAPAN					4	
43		CM300200003		ATTENTION LABEL	FOR JE					4	

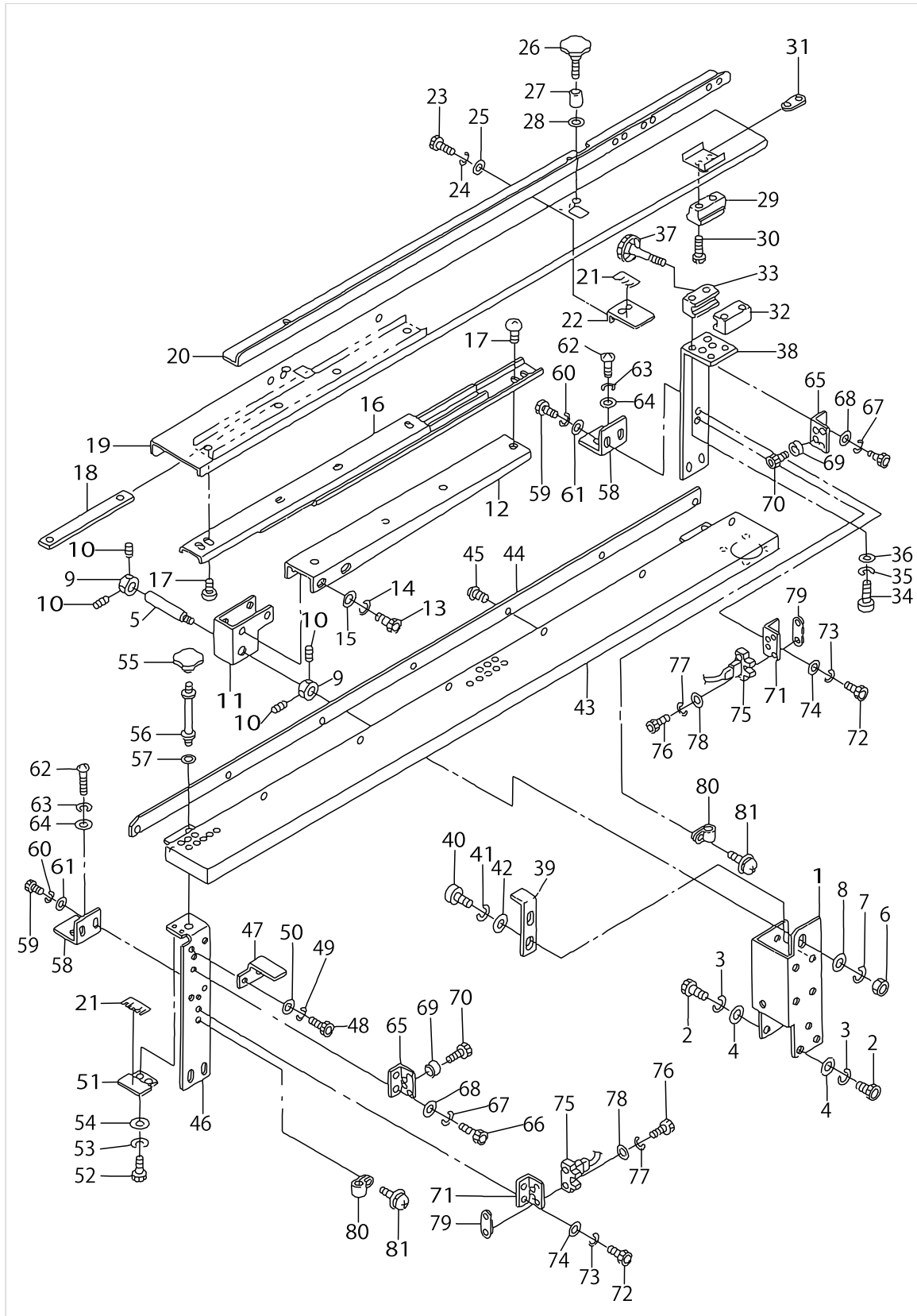
SET PLATE COMPONENTS



SET PLATE COMPONENTS

No.	Supply Code	Parts No.	Replacement	Parts name	Remarks	Choice	Step	Level	Cons	Qty	Rep. QTY
1		G5301164000		LEFT INSTALLING BASE						1	
2		SM6061202TP		SCREW M6 L=12						6	
3		WS0610002KN		SPRING WASHER 6.1X12.2X1.5						6	
4		WP0641601SC		WASHER						6	
5		G5302164000		TURNING SHAFT						1	
6		NM6080001SC		NUT M8X1.25						1	
7		WS0820002KN		SPRING WASHER M8						1	
8		WP0841601SC		WASHER 8.4X17.4X1.6						1	
9		G2543270000		SHAFT STOP COLLAR A						2	
10		SM8040402TP		SCREW M4X0.7 L=4						4	
11		G5303164000		RAIL INSTALLING P-LATE BRACKET						1	
12		G5304164000		RAIL INSTALLING PLATE						1	
13		SM6061202TP		SCREW M6 L=12						4	
14		WS0610002KN		SPRING WASHER 6.1X12.2X1.5						4	
15		WP0641601SC		WASHER						4	
16		G5305164000		SLIDER RAIL						1	
17		SM0040601SA		SCREW						8	
18		G5306164000		RAIL FIXED PLATE						2	
19		G5307164000		SET PLATE, LEFT						1	
20		G5308164000		GUIDE, LEFT						1	
21		G5309164000		SCALE						4	
22	D	G5310164000		SCALE PLATE, LEFT						2	
23		SM6040802TP		SCREW M4X0.7 L=8						4	
24		WS0410002KN		SPRING WASHER						4	
25		WP0430801SC		WASHER 4.3X9X0.8						4	
26		G5311164000		KNOB, MALE						2	
27		G5312164000		COLLAR						2	
28		WP0641601SC		WASHER						2	
29		G5315164000		BLOCK						1	
30		SM6040802TP		SCREW M4X0.7 L=8						2	
31		G5146171000		CLAMP FIXING PLATE						1	
32		G5313164000		BLOCK.A						1	
33		G5314164000		BLOCK B						1	
34		SM6041202TP		SCREW M4X0.7 L=12						4	
35		WS0410002KN		SPRING WASHER						4	
36		WP0430801SC		WASHER 4.3X9X0.8						4	
37		G5316164000		FIXED SCREW						1	
38		G5006164000		SET PLATE SUPPORT, LEFT						1	
39		G5332164000		STOPPER						1	
40		SM6061202TP		SCREW M6 L=12						2	
41		WS0610002KN		SPRING WASHER 6.1X12.2X1.5						2	
42		WP0641601SC		WASHER						2	
43	D	G5327164000		SET PLATE, RIGHT						1	
44	D	G5328164000		GUIDE, RIGHT						1	
45		SM0030601SA		SCREW M3X0.5 L=6						7	
46	D	G5007164A00		SUPPORT PLATE						1	

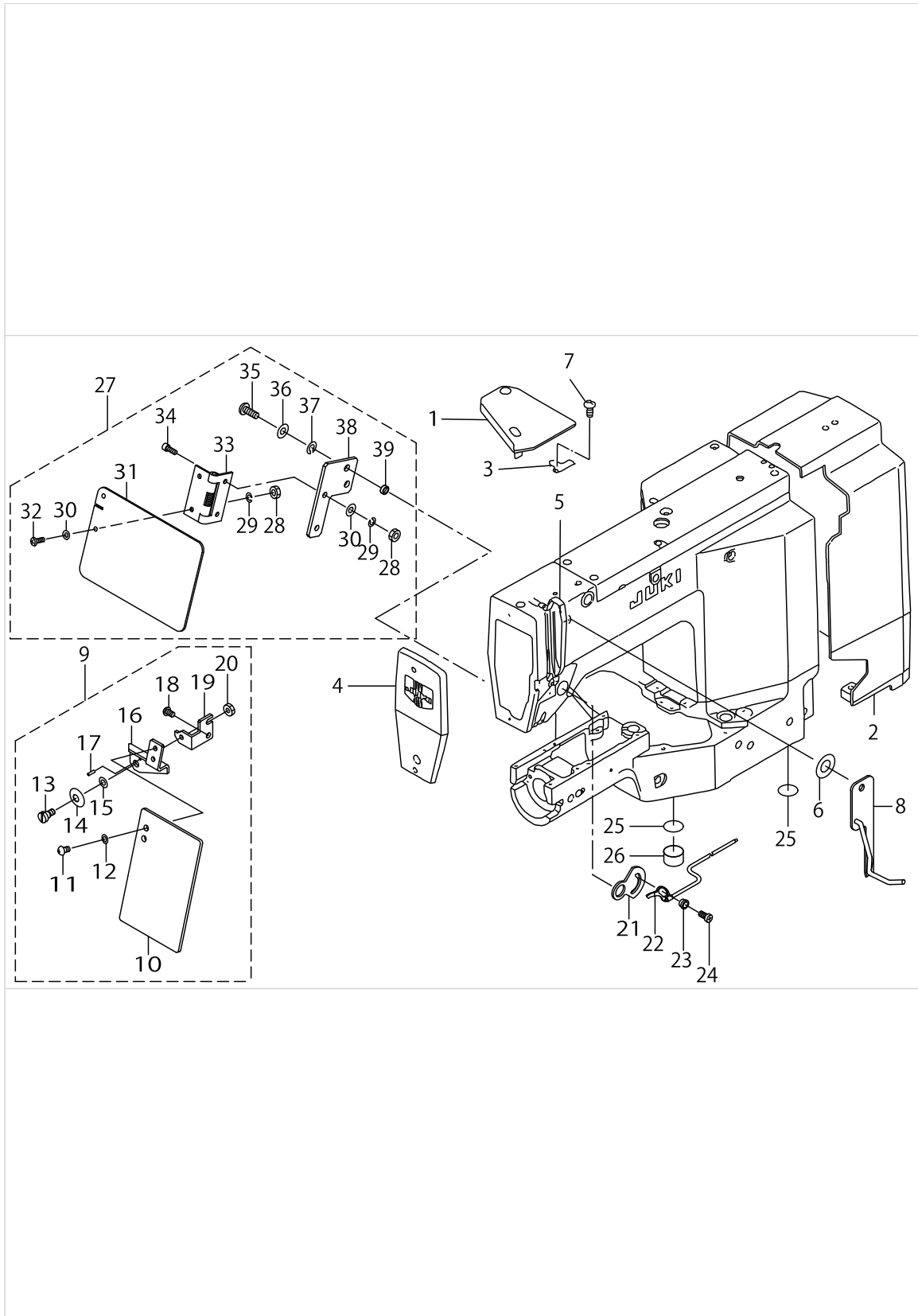
SET PLATE COMPONENTS



SET PLATE COMPONENTS

No.	Supply Code	Parts No.	Replacement	Parts name	Remarks	Choice	Step	Level	Cons	Qty	Rep. QTY
47	D	G5030164000		SUPPORT PLATE						1	
48		SM6061202TP		SCREW M6 L=12						2	
49		WS0610002KN		SPRING WASHER 6.1X12.2X1.5						2	
50		WP0641601SC		WASHER						2	
51	D	G5329164000		SCALE PLATE, RIGHT						2	
52		SM6040602TP		SCREW M4 L=6						4	
53		WS0410002KN		SPRING WASHER						4	
54		WP0430801SC		WASHER 4.3X9X0.8						4	
55		G5330164000		KNOB, FEMALE						2	
56	D	G5331164000		HANDLE EXTENSION						2	
57		WP0641601SC		WASHER						2	
58		G5403164000		FIXED PLATE						3	
59		SM6061002TP		SCREW M6 L=10						6	
60		WS0610002KN		SPRING WASHER 6.1X12.2X1.5						6	
61		WP0641601SC		WASHER						6	
62		SK3381601SC		WOOD SCREW D=3.8 L=16						6	
63		WS0410002KN		SPRING WASHER						6	
64		WP0430801SC		WASHER 4.3X9X0.8						6	
65		G5008164000		STOPPER						2	
66		SM6040802TP		SCREW M4X0.7 L=8						4	
67		WS0410002KN		SPRING WASHER						4	
68		WP0430801SC		WASHER 4.3X9X0.8						4	
69		G5384171000		RUBBER FOOT						2	
70		SM6031002TP		HEXAGONAL BOLT M3 X 10						2	
71		G5008164000		STOPPER						2	
72		SM6040802TP		SCREW M4X0.7 L=8						4	
73		WS0410002KN		SPRING WASHER						4	
74		WP0430801SC		WASHER 4.3X9X0.8						4	
75		G61051640A0		PRESSER POSITION SW ASM.						2	
76		SM6031502TP		SCREW M3 X 15						4	
77		WS0310002KN		SPRING WASHER M3						4	
78		WP0320501SC		WASHER M3						4	
79		G5153171000		SENSOR PLATE						2	
80		HX001500000		CLIP						2	
81		SL4041081SF		SCREW M4 L=10						2	

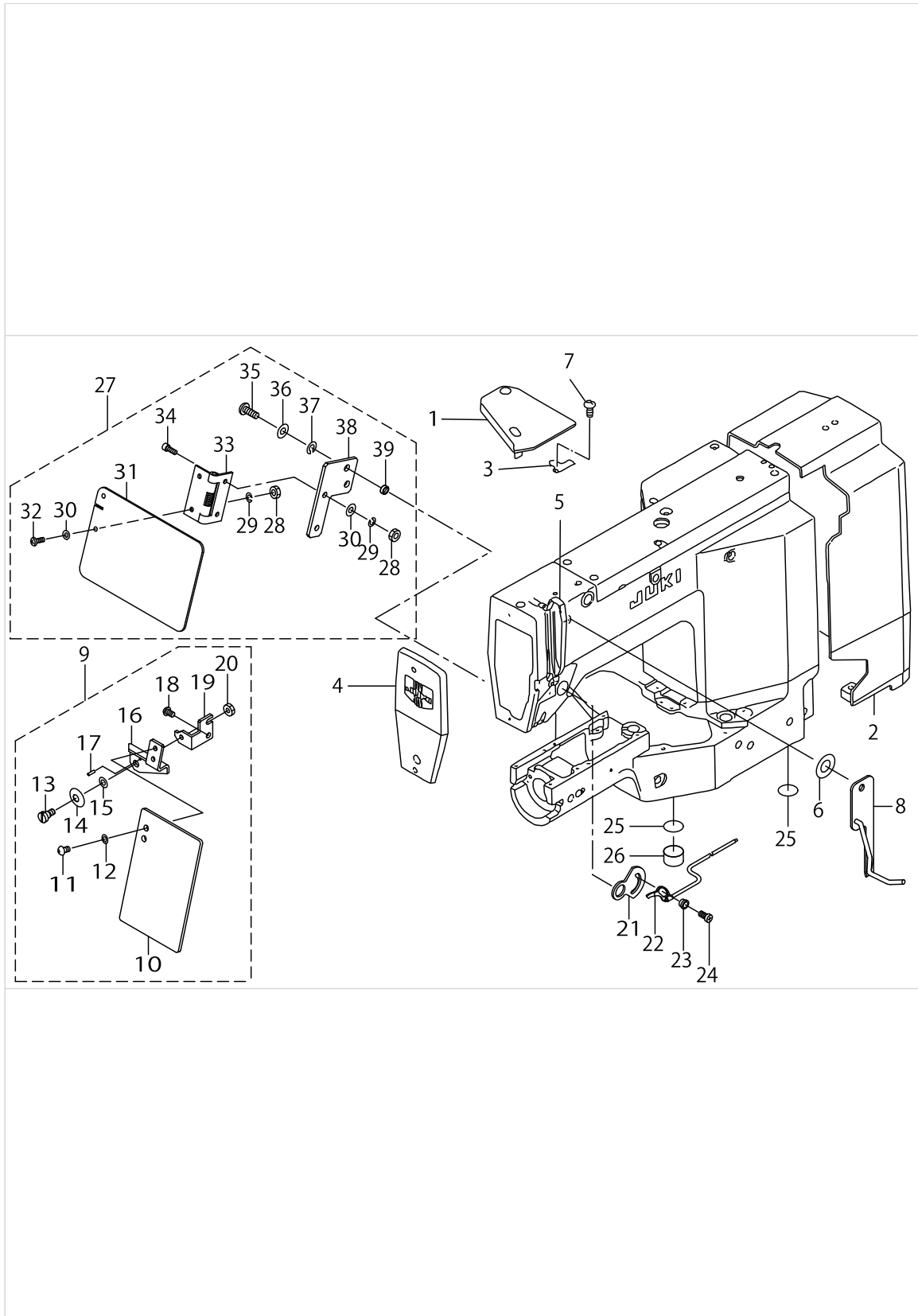
FRAME & MICELLANEOUS COVER COMPONENTS (1)



FRAME & MICELLANEOUS COVER COMPONENTS (1)

No.	Supply Code	Parts No.	Replacement	Parts name	Remarks	Choice	Step	Level	Cons	Qty	Rep. QTY
2		SM6061202TP		SCREW M6 L=12						4	
3		WS0610002KN		SPRING WASHER 6.1X12.2X1.5						4	
4		WP0641601SC		WASHER						4	
5		G5210164000		SUPPORT PLATE						2	
6		SM6030602TP		SCREW M3X0.5 L=6						4	
7		WS0310002KN		SPRING WASHER M3						4	
8		WP0320501SC		WASHER M3						4	
9		G5220164000		KNOB						2	
10		G5202164000		PILLOW INSTALLING PLATE						1	
11		SM6061202TP		SCREW M6 L=12						4	
12		WS0610002KN		SPRING WASHER 6.1X12.2X1.5						4	
13		WP0641601SC		WASHER						4	
14		G5219164000		SWITCH INSTALLING PLATE						2	
15		SM6082002TN		SCREW M8 L=20						4	
16		WS0820002KN		SPRING WASHER M8						4	
17		WP0841601SC		WASHER 8.4X17.4X1.6						8	
18		NM6080001SC		NUT M8X1.25						4	
19		G5203164000		CYLINDER HOLDER BASE						1	
20		SM6061202TP		SCREW M6 L=12						4	
21		WS0610002KN		SPRING WASHER 6.1X12.2X1.5						4	
22		WP0641601SC		WASHER						4	
23		G5217164000		CYLINDER MOUNT PLATE						2	
24		SM6061602TP		SCREW M6 L=16						4	
25		WS0610002KN		SPRING WASHER 6.1X12.2X1.5						4	
26		WP0641601SC		WASHER						4	
27		SM8040402TP		SCREW M4X0.7 L=4						2	
28		G5209164000		ADJUSTING PLATE						2	
29		G5211164000		SUPPORT						1	
30		SM6041202TP		SCREW M4X0.7 L=12						4	
31		WS0410002KN		SPRING WASHER						4	
32		WP0430801SC		WASHER 4.3X9X0.8						4	
33		G5212164000		FULCRUM PLATE						1	
34		G5234164000		PIN SUPPORT						1	
35		SM6040802TP		SCREW M4X0.7 L=8						2	
36		WS0410002KN		SPRING WASHER						2	
37		WP0430801SC		WASHER 4.3X9X0.8						2	
38		B8170220000		BED FIXED SCREW						1	
39		WS0820002KN		SPRING WASHER M8						1	
40		WP0841601SC		WASHER 8.4X17.4X1.6						1	
41		NM6080001SC		NUT M8X1.25						1	
42	D	G5213164000		CLOTH STACKER						1	
43	R	13518105	26223701	LIFTING LEVER SHAFT						1	1.00
44		RE0700000K0		E-RING 7						2	
45		G5022164000		CUSHION						1	
46		G5214164000		SPRING						1	
47		G5215164000		FIXED PLATE						1	

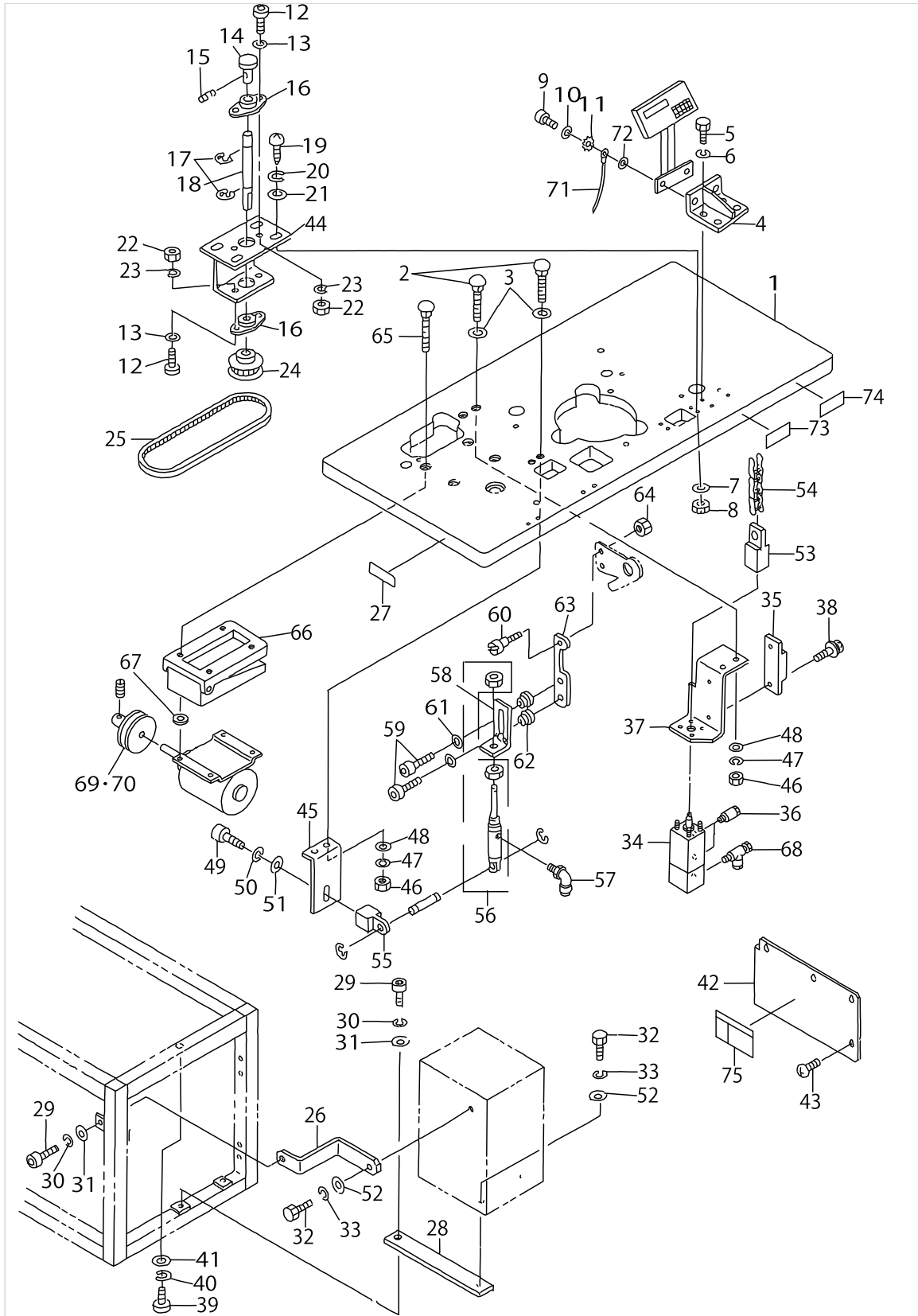
FRAME & MICELLANEOUS COVER COMPONENTS (1)



FRAME & MICELLANEOUS COVER COMPONENTS (1)

No.	Supply Code	Parts No.	Replacement	Parts name	Remarks	Choice	Step	Level	Cons	Qty	Rep. QTY
48		SM6030602TP		SCREW M3X0.5 L=6						2	
49		WS0310002KN		SPRING WASHER M3						2	
50		WP0320501SC		WASHER M3						2	
51		G5235164000		SLIDER						2	
52		SM6030802TP		SCREW M3X0.5 L=8						6	
53		WS0310002KN		SPRING WASHER M3						6	
54		WP0320501SC		WASHER M3						6	
55		CM3002000B1		LABEL(16)	FOR JAPAN					1	
56		CM300200003		ATTENTION LABEL	FOR JE					1	

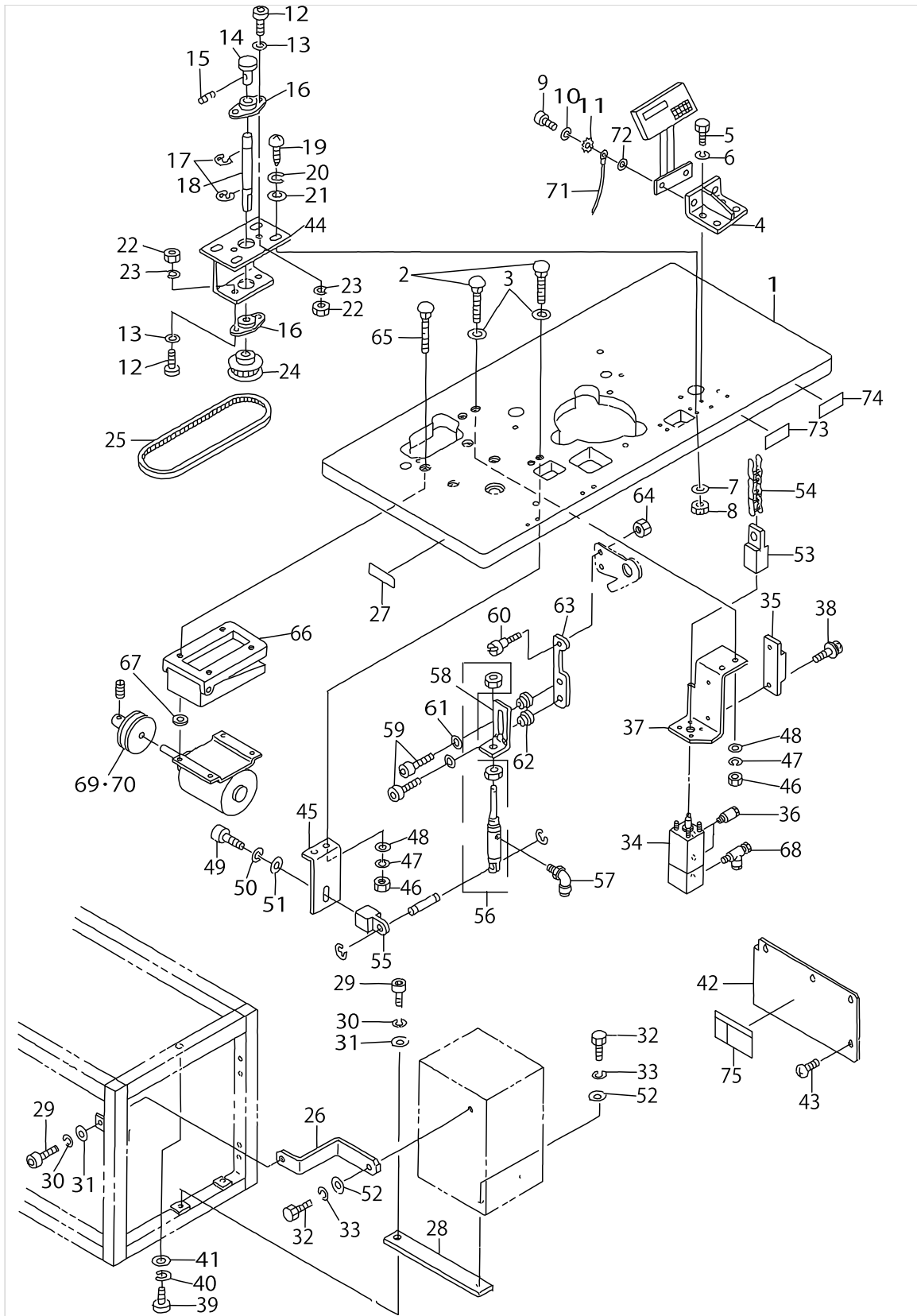
MACHINE TABLE COMPONENTS



MACHINE TABLE COMPONENTS

No.	Supply Code	Parts No.	Replacement	Parts name	Remarks	Choice	Step	Level	Cons	Qty	Rep. QTY
1		G5402164A00		SEWING MACHINE TABLE						1	
2		MTJMS000060		BOLT						4	
3		WP0850002SP		WASHER 8.5X18X1.6						4	
4		G5406164000		OPERATION PANEL BRACKET						1	
5		SM9066503SC		SCREW M6 L=65						4	
6		WS0610002KN		SPRING WASHER 6.1X12.2X1.5						4	
7		WP0641601SC		WASHER						4	
8		NM6060001SC		NUT M6						4	
9		SM6061202TN		BOLT						2	
10		WS0610002KN		SPRING WASHER 6.1X12.2X1.5						2	
11		WT0640001KN		TOOTH WASHER						2	
12		SM6051202TP		SCREW M5X0.8 L=12						4	
13		WP0531001SC		WASHER						4	
14		16561904		MOTOR KNOB						1	
15		SM8050602TP		SCREW M5 L=6						1	
16		G5420164000		FLANGE						2	
17		RE0600000K0		E-RING 6						2	
18	D	G5419164000		SHAFT						1	
19	D	SK3381301SC		WOOD SCREW						4	
20		WS0410002KN		SPRING WASHER						4	
21		WP0430801SC		WASHER 4.3X9X0.8						4	
22		NM6050001SC		NUT M5						4	
23		WS0510002KN		SPRING WASHER						4	
24		G5418164000		SULLEY						1	
25		G5421164000		ROTATION BELT						1	
26		G5423164000		FIXED PLATE						1	
27		G5042164A00		NAME PLATE						1	
28	D	G5421162000		CONTROL BOX INS-TALLING PLATE						2	
29		SM6082002TN		SCREW M8 L=20						3	
30		WS0820002KN		SPRING WASHER M8						3	
31		WP0841601SC		WASHER 8.4X17.4X1.6						3	
32		SM9082003SC		SCREW M8 L=20						3	
33		WS0820002KN		SPRING WASHER M8						3	
34	D	PA2003502A0		AIR CYLINDER						1	
35		HK044350120		TERMINAL						1	
36		PJ301060503		HALF UNION						2	
37		G5407164A00		CYLINDER BRACKET						1	
38		SL4030881SF		SCREW						2	
39		SM6082002TN		SCREW M8 L=20						6	
40		WS0820002KN		SPRING WASHER M8						6	
41		WP0841601SC		WASHER 8.4X17.4X1.6						6	
42		G5422164B00		PULLEY COVER						1	
43		SM0040601SA		SCREW						4	
44		G5417164000		BRACKET						1	
45	D	G5410164000		CYLINDER BRACKET						1	
46		NM6060001SC		NUT M6						4	

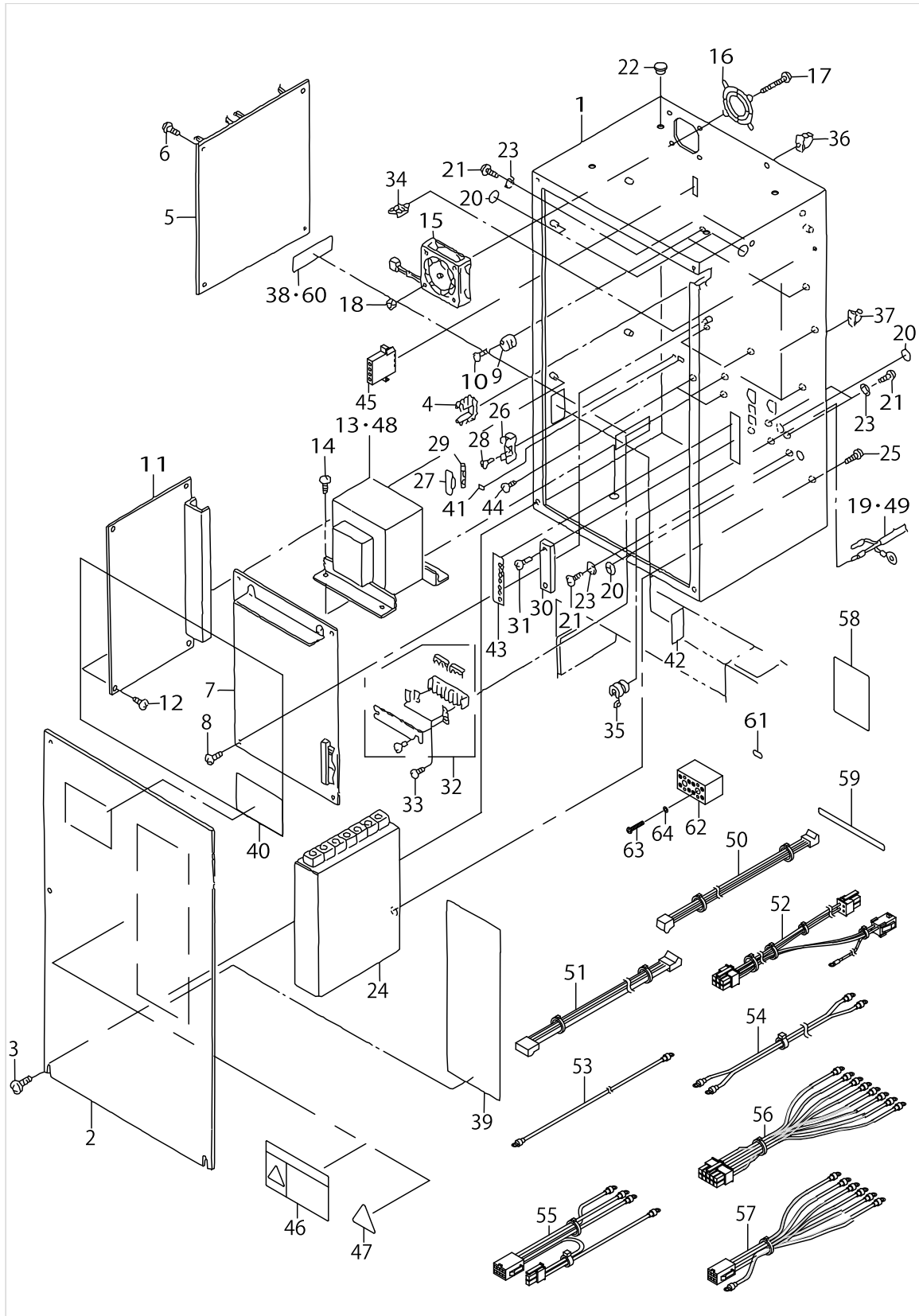
MACHINE TABLE COMPONENTS



MACHINE TABLE COMPONENTS

No.	Supply Code	Parts No.	Replacement	Parts name	Remarks	Choice	Step	Level	Cons	Qty	Rep. QTY
47		WS0610002KN		SPRING WASHER 6.1X12.2X1.5						4	
48		WP0641601SC		WASHER						4	
49		SM6051202TP		SCREW M5X0.8 L=12						1	
50		WS0510002KN		SPRING WASHER						1	
51		WP0531001SC		WASHER						1	
52		WP0841601SC		WASHER 8.4X17.4X1.6						3	
53	D	G5414171000		THRUST KNUCKLE						1	
54		G5416171000		THRUST CHAIN						1	
55		PX500018000		KNUCKLE JOINT						1	
56		PA1601510A0		AIR CYLINDER						1	
57		PJ304040504		ELBOW UNION						1	
58		G5412164000		WORKING PLATE						1	
59		SM6041202TP		SCREW M4X0.7 L=12						2	
60		16562902		HINGE SCREW						1	
61		WP0430801SC		WASHER 4.3X9X0.8						2	
62		G5416164000		SLIDE HOLDER						2	
63		G5411164000		LINK						1	
64		NM6050001SC		NUT M5						1	
65		MTJMS00000S		SCREW SET						4	
66	D	B7101761BA0		MOTOR BASE ASM.						1	
67		MTJMGC00000		RUBBER CUSHION						4	
68		PC010511000		SPEED CONTROLLER						1	
69	R	13531207	26202804	MOTOR PULLEY 50HZ 2000 SPM	SELECTIVE PARTS					1	1.00
70	R	13531504	26238709	MOTOR PULLEY 60HZ 2000 SPM	SELECTIVE PARTS					1	1.00
71	D	G67041640A0		EARTH CORD ASM.						2	
72		WP0641601SC		WASHER						2	
73		CM500100001		CE MARKING LABEL	FOR JE					1	
74		CM500000001		POWER SOURCE INDICATION LABEL	FOR JE					1	
75		CM300600101		LABEL, (SMALL).	FOR JAPAN					1	

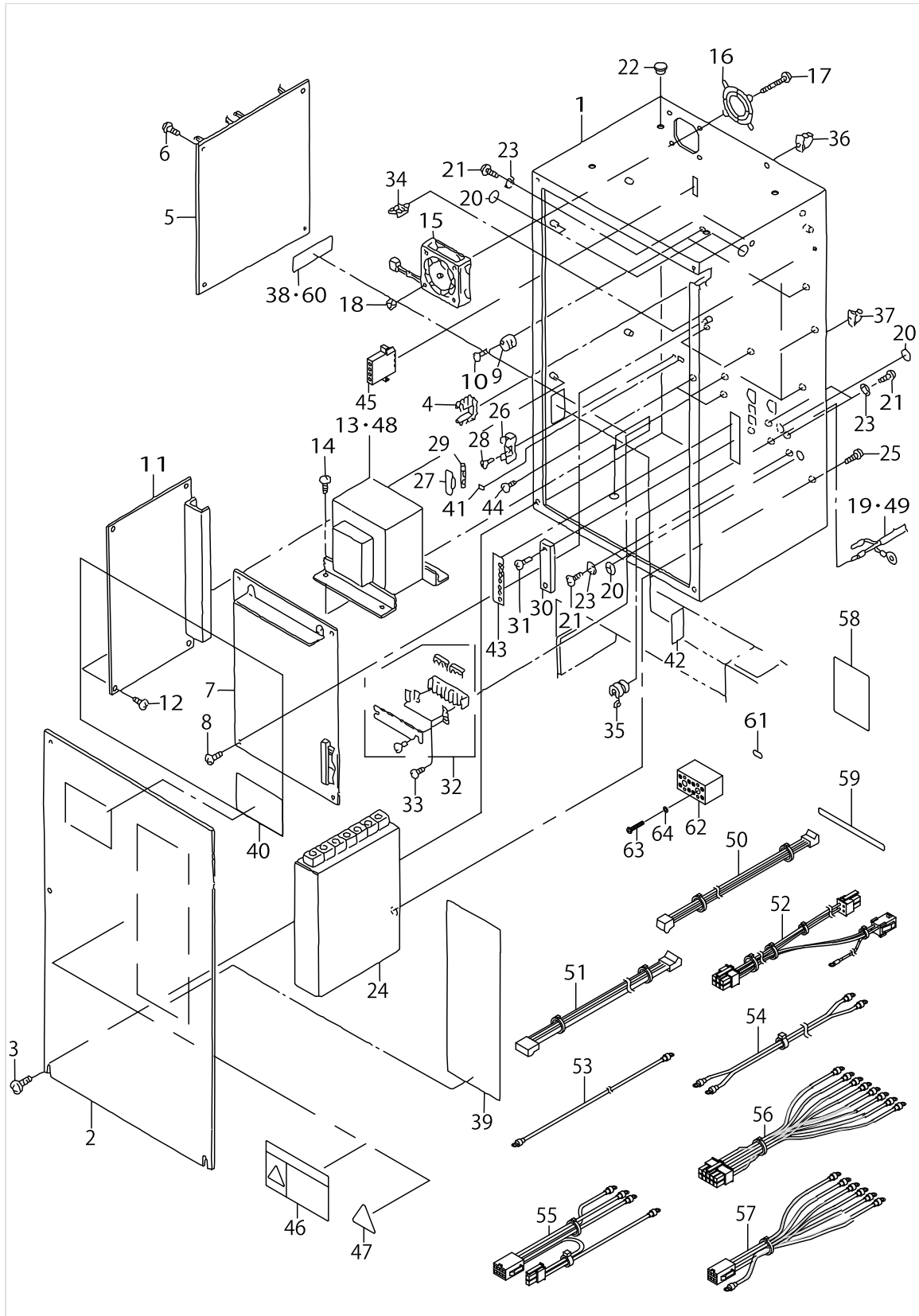
CONTROL BOX COMPONENTS



CONTROL BOX COMPONENTS

No.	Supply Code	Parts No.	Replacement	Parts name	Remarks	Choice	Step	Level	Cons	Qty	Rep. QTY
1		M1001544000A		CONTROL BOX FRAME						1	
2		M10025440A0		FRAME CONTROL BOX COVER ASM.						1	
3		SM0040601SA		SCREW						6	
4		M1004540000		FREE BUSHING, A						1	
5	D	M8601543BA0		CPU BASE ASM.						1	
6		HX00269000B		SPACER						4	
7	D	M8602544AA0A		I/O BASE ASM. (B)						1	
8		HX00269000B		SPACER						4	
9		M1004544000A		CIRCUIT BOARD SUPPORT						2	
10		SL4031891SC		SCREW M3 L=18						2	
11	D	M8603544AA0		POWER CIRCUIT BOARD ASM.						1	
12		HX00269000B		SPACER						4	
13	D	M85105440A0		TRANSFORMER ASM.	FOR JAPAN					1	
14		SL4051091SC		SCREW M5X0.8 L=10						4	
15	D	M85115440A0		DC FAN ASM.						1	
16		HM0003800A0		FINGER GUARD						1	
17		SM4043601SN		SCREW M4X0.7 L=36						4	
18		NM3040520SF		FLANGE NUT M4						4	
19	D	M85215400A0		AC INPUT POWER CORD ASM.	FOR JAPAN					1	
20	R	10004109	22901805	GROUND MARK						3	1.00
21		SL4041081SF		SCREW M4 L=10						10	
22		TA0800504R0		PLUG D=8 L=4.5						4	
23		WT0430001KN		TOOTHED WASHER						10	
24		HM000570010		DRIVER						1	
25		SL4041081SF		SCREW M4 L=10						2	
26		HF005111000		FUSE HOLDER						1	
27		HF00511000B		FUSEHOLDERCOVER						1	
28		SM4041001SC		SCREW M4X0.7 L=10						1	
29		E9602701000		FUSE 4A						1	
30	D	HK017150070		TERMINAL BASE 7P	FOR JAPAN					1	
31		SL4031681SF		SCREW M3 L=16	FOR JAPAN					2	
32	D	HK044450060		TERMINAL BASE						1	
33		SL4031481SF		SCREW M3 L=14						2	
34	D	HX00222000A		CABLE CLAMP						5	
35		HX004100000		BUSH						1	
36		HX000240000		CORD HOLDER						1	
37		HX00024000C		CORD CLAMP						1	
38		M1010544000		CONTROL BOX PLATE	FOR JAPAN					1	
39		M1020544000		SEAL, A						1	
40		M1022543000		SEAL, B						1	
41		M1022544000		F6 SEAL						1	
42		M1021544000		SEAL						1	
43		M1021540000		SEAL						1	
44		SL4040691SC		SCREW M4 L=6						2	
45	D	M9620110000		RECEPTACLE						1	
46		CM300100101		DANGER LABEL (SMALL)	FOR JAPAN					1	

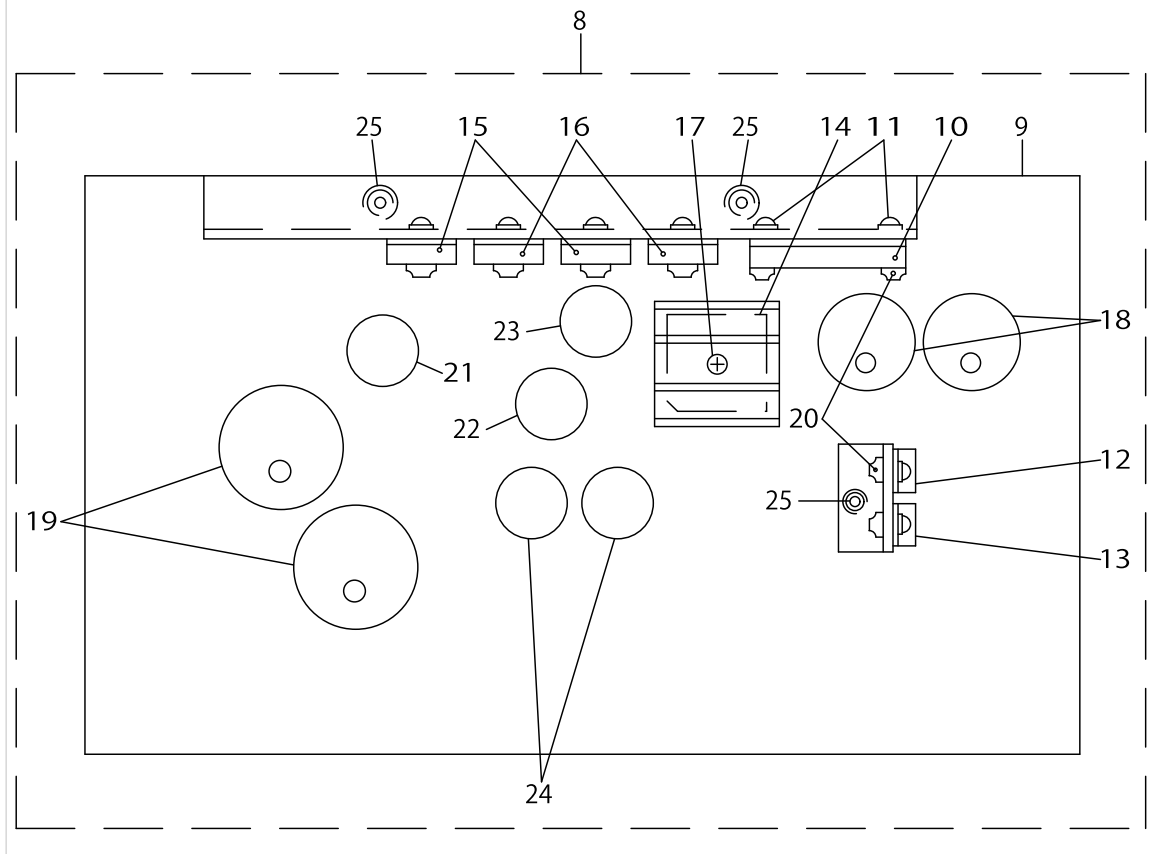
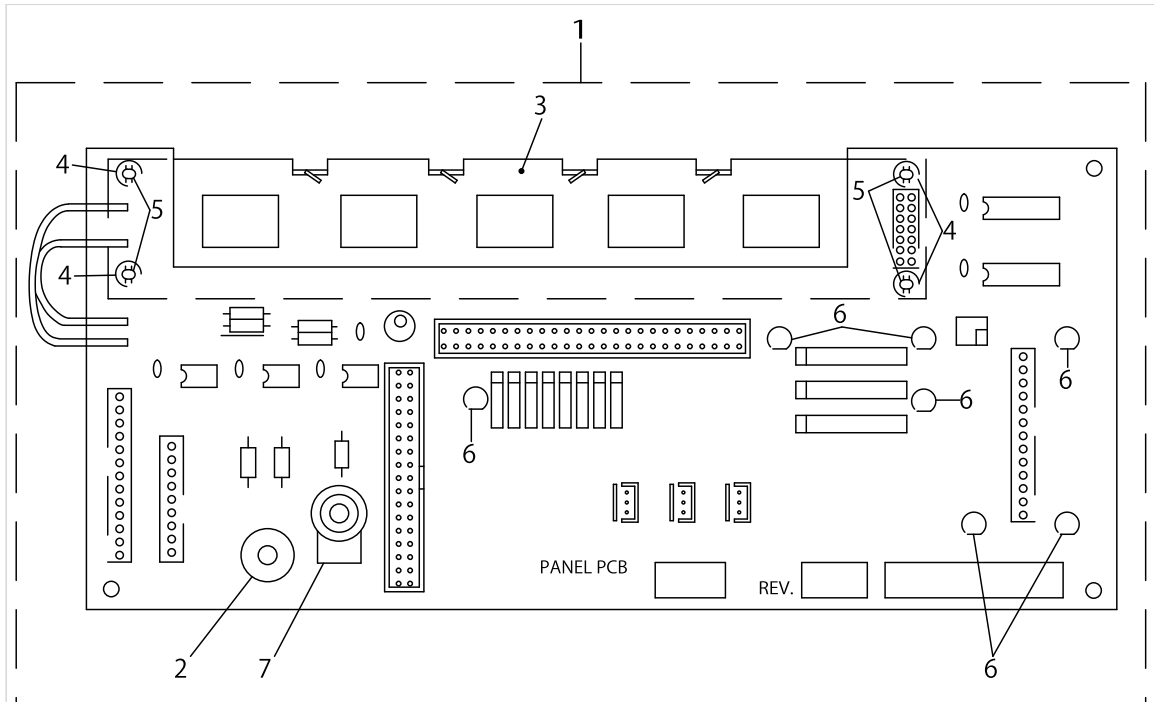
CONTROL BOX COMPONENTS



CONTROL BOX COMPONENTS

No.	Supply Code	Parts No.	Replacement	Parts name	Remarks	Choice	Step	Level	Cons	Qty	Rep. QTY
47		CM300100001		LABEL	FOR JE					1	
48		M8510544BA0		TRANSFORMER B ASM.	FOR JE					1	
49		M85295440A0		AC INPUT POWER CORD ASM.	FOR JE					1	
50	D	M85205440A0		POWER CORD ASM.	FOR JE					1	
51		M85215440A0		POWERCORDASM.(1)	FOR JE					1	
52		M85225440A0		POWER CORD (2)	FOR JE					1	
53		M85245440A0		RELAY CORD ASM.	FOR JE					1	
54		M85255440A0		DRIVERPOWERCORD	FOR JE					1	
55		M85265440A0		POWER CORD ASM.	FOR JE					1	
56		M85245400A0		DRIVER CONNCTING CORD ASM.	FOR JE					1	
57	D	M85255400A0		CONNECTING CORD ASM.	FOR JE					1	
58		G8015397000		TRANSFORMER TAP SEAL C	FOR JE					1	
59		M3007519000		TRANSFORMER TAP SEAL	FOR JE					1	
60		M1010544B00		CONTROL BOX PLATE B	FOR JE					1	
61		CM200100001		PE MARK LABEL	FOR JE					1	
62		HK054250040		TERMINAL BASE	FOR JE					2	
63		SM4031851SR		SCREW	FOR JE					4	
64		WS0310702KS		SPRING WASHER	FOR JE					4	

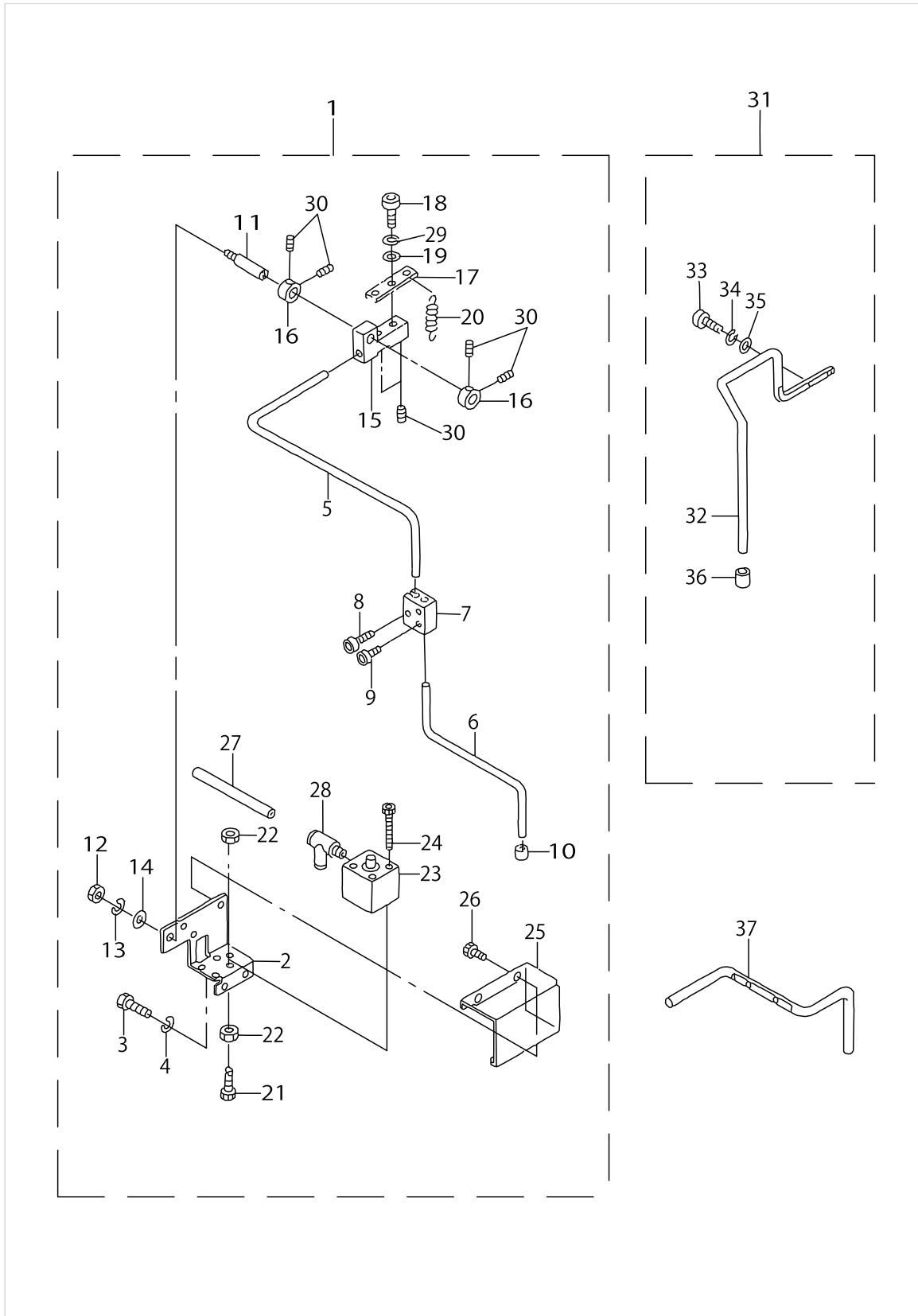
PANEL CIRCUIT BOARD COMPONENTS



PANEL CIRCUIT BOARD COMPONENTS

No.	Supply Code	Parts No.	Replacement	Parts name	Remarks	Choice	Step	Level	Cons	Qty	Rep. QTY
1	R	M8631543AA0	M8631543AA0A	PANEL CIRCUIT BOARD ASM.						1	1.00
2	D	HX002400000		BUZZER				*		1	
3	D	HG004350000		LIQUID CRYSTAL INDICATOR				*		1	
4		G6312166000		LCD SPACER				*		4	
5	D	HX00094000C		NYLON RIVET				*		4	
6		HG004750000		LIGHT EMITTING DIODE				*		7	
7	D	HR030301030		VOLUME (10K)				*		1	
8	D	M8603544AA0		POWER CIRCUIT BOARD ASM.						1	
9	R	M8603544000	M86035440A0	POWER BOARD				*		1	1.00
10	D	HL006940000		IC (STR-9005)				*		1	
11		SL4031481SF		SCREW M3 L=14				*		6	
12		HL011820000		REGULATOR				*		1	
13	D	HL011800000		REGULATOR				*		1	
14	D	HG002650000		DIODE BRIDGE (S10VB20)				*		1	
15		HG003780000		DIODE (FMM-32R)				*		2	
16	D	HG003770000		DIODE (FMM-32S)				*		2	
17		SL4031281SF		SCREW M3 L=12				*		1	
18		HC027501030		CAPACITOR 10000MF 16V				*		2	
19	D	HC011504720		CAPACITOR 4700MF 63V				*		2	
20		NM3034000SF		FLANGE NUT				*		8	
21	D	EA9544B0200		FUSE				*		1	
22		E9602701000		FUSE 4A				*		1	
23		E8523304000		FUSE 10A				*		1	
24		E9611601000		FUSE 1A				*		2	
25		SL4031081SF		SCREW M3 L=10				*		5	

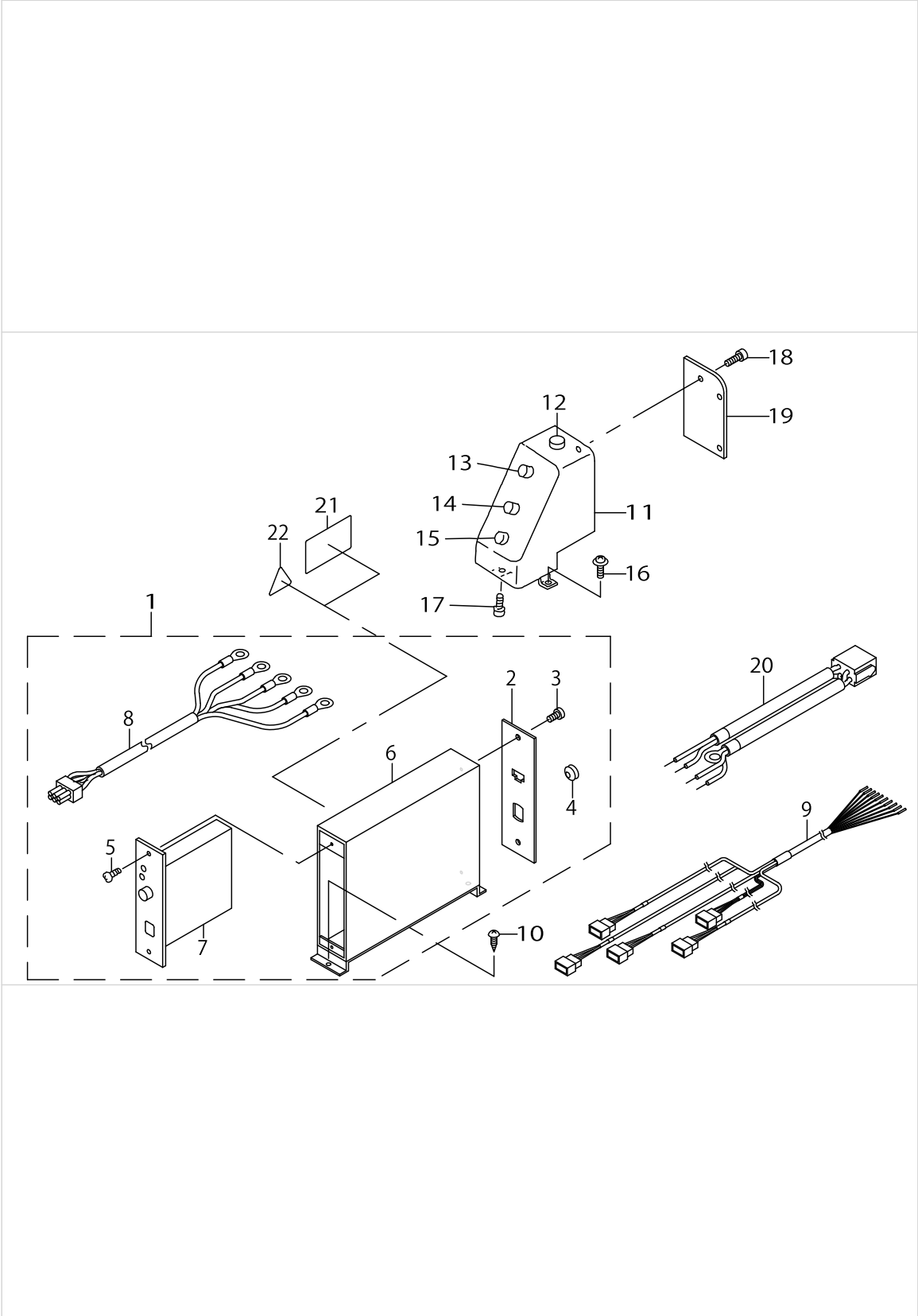
ASSISTANT CLAMP , LIGHT MATERIAL CLAMP & LEAD CLAMP COMPONENTS (OPTIONAL)



ASSISTANT CLAMP , LIGHT MATERIAL CLAMP & LEAD CLAMP COMPONENTS (OPTIONAL)

No.	Supply Code	Parts No.	Replacement	Parts name	Remarks	Choice	Step	Level	Cons	Qty	Rep. QTY
1	D	G55011640A0		AUXILIARY CLAMP ASM.						1	
2	D	G5501164000		AUXILIARY CLAMP BRACKET				*		1	
3		SM9061003SC		SCREW M6X10				*		2	
4		WS0610002KN		SPRING WASHER 6.1X12.2X1.5				*		2	
5	D	G5502164000		AUXILIARY CLAMP, UPPER				*		1	
6	D	G5503164000		AUXILIARY CLAMP, LOWER				*		1	
7		G5504164000		ADJUSTING METAL				*		1	
8		SM6061202TN		BOLT				*		1	
9		SM6030402TN		BOLT M3X4				*		2	
10		G5138161000		RUBBER CAP				*		1	
11		G5124164000		CLAMP SHAFT				*		1	
12		NM6060001SC		NUT M6				*		1	
13		WS0610002KN		SPRING WASHER 6.1X12.2X1.5				*		1	
14		WP0641601SC		WASHER				*		1	
15		G5125164000		CLAMP HOLDER				*		1	
16	R	G2526270000	E4704172000	COLLAR				*		2	1.00
17		G5505164000		SPRING HOOK				*		1	
18		SM6040602TP		SCREW M4 L=6				*		2	
19		WP0430801SC		WASHER 4.3X9X0.8				*		2	
20		G5126164000		SPRING				*		1	
21	D	G5506164000		SCREW				*		1	
22		NM6060001SC		NUT M6				*		2	
23		PA160100500		AIR CYLINDER				*		1	
24		SM6033052TP		SCREW				*		4	
25		G5507164000		AUXILIARY CLAMP COVER				*		1	
26		SM0040601SA		SCREW				*		2	
27		BT0400251EB		URETHANE HOSE, BLACK				*		1	
28	D	PJ305040503		UNION				*		1	
29		WS0410002KN		SPRING WASHER				*		2	
30		SM8040402TP		SCREW M4X0.7 L=4				*		6	
31		G55081640A0		LIGHT FABRIC CLAMP ASM.						1	
32		G5508164000		LIGHT FABRIC CLAMP				*		1	
33		SM6031002TP		HEXAGONAL BOLT M3 X 10				*		2	
34		WS0310002KN		SPRING WASHER M3				*		2	
35		WP0320501SC		WASHER M3				*		2	
36		G5138161000		RUBBER CAP				*		1	
37		G5509164000		NEEDLE CLAMP						1	

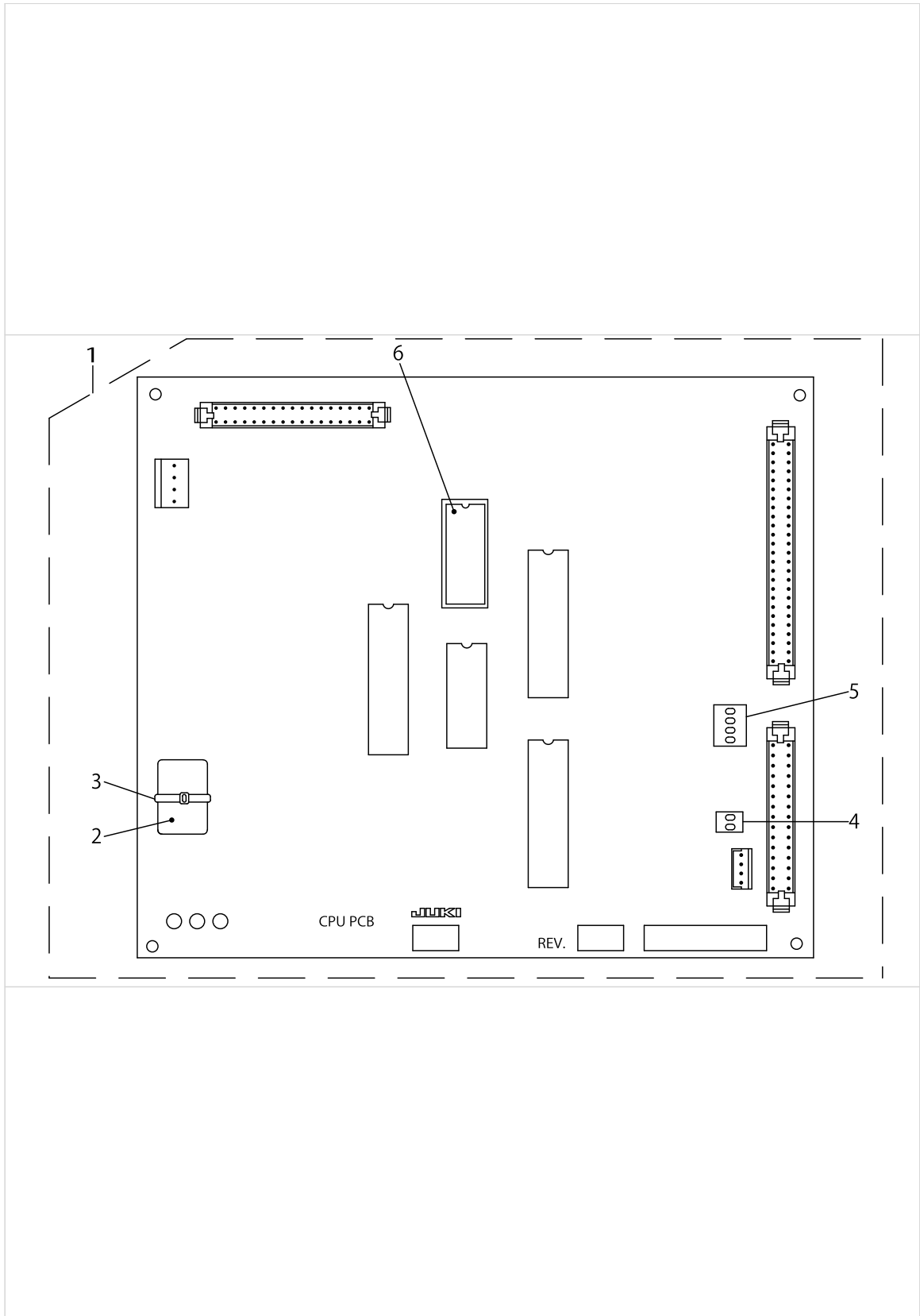
BR-CONTROL BOX COMPONENTS



BR-CONTROL BOX COMPONENTS

No.	Supply Code	Parts No.	Replacement	Parts name	Remarks	Choice	Step	Level	Cons	Qty	Rep. QTY
1		GBR118010A0		P/F CONTROLLER COMPL.						1	
2		GBR10802000		P/F CONTROLLER BACK LID				*		1	
3		SL4040691SC		SCREW M4 L=6				*		2	
4		HX000980000		CORD BUSH				*		1	
5		SM5040601SC		SCREW M4X0.7 L=6				*		2	
6		GBR11801000		P/F CONTROLLER FRAME				*		1	
7	D	GBR118110A0		P/F CONTROLLER ASM.				*		1	
8	D	GBR108210A0		P/F POWER CORD ASM.				*		1	
9	D	GBR118220A0		CONNECTING CORD ASM.						1	
10	D	SK3381301SC		WOOD SCREW						2	
11		GBR11781000		PANEL BOX						1	
12		GBR117860A0		BREAKER ASM.						1	
13		GBR117850A0		BUTTON SUPPLY SW ASM.						1	
14		GBR117830A0		STEP-KEEPER SW ASM.						1	
15		GBR117840A0		EXHAUST SW ASM.						1	
16		SL4041091SC		SCREW M4 L=10						1	
17		SM6040802TN		SCREW						1	
18		SL4030681SC		SCREW M3 L=6						3	
19		GBR10782000		PANEL BOX BACK COVER						1	
20		GBR218460A0		CABLE ASM.						1	
21		CM300100101		DANGER LABEL (SMALL)	FOR JAPAN					1	
22		CM300100001		LABEL	FOR JE					1	

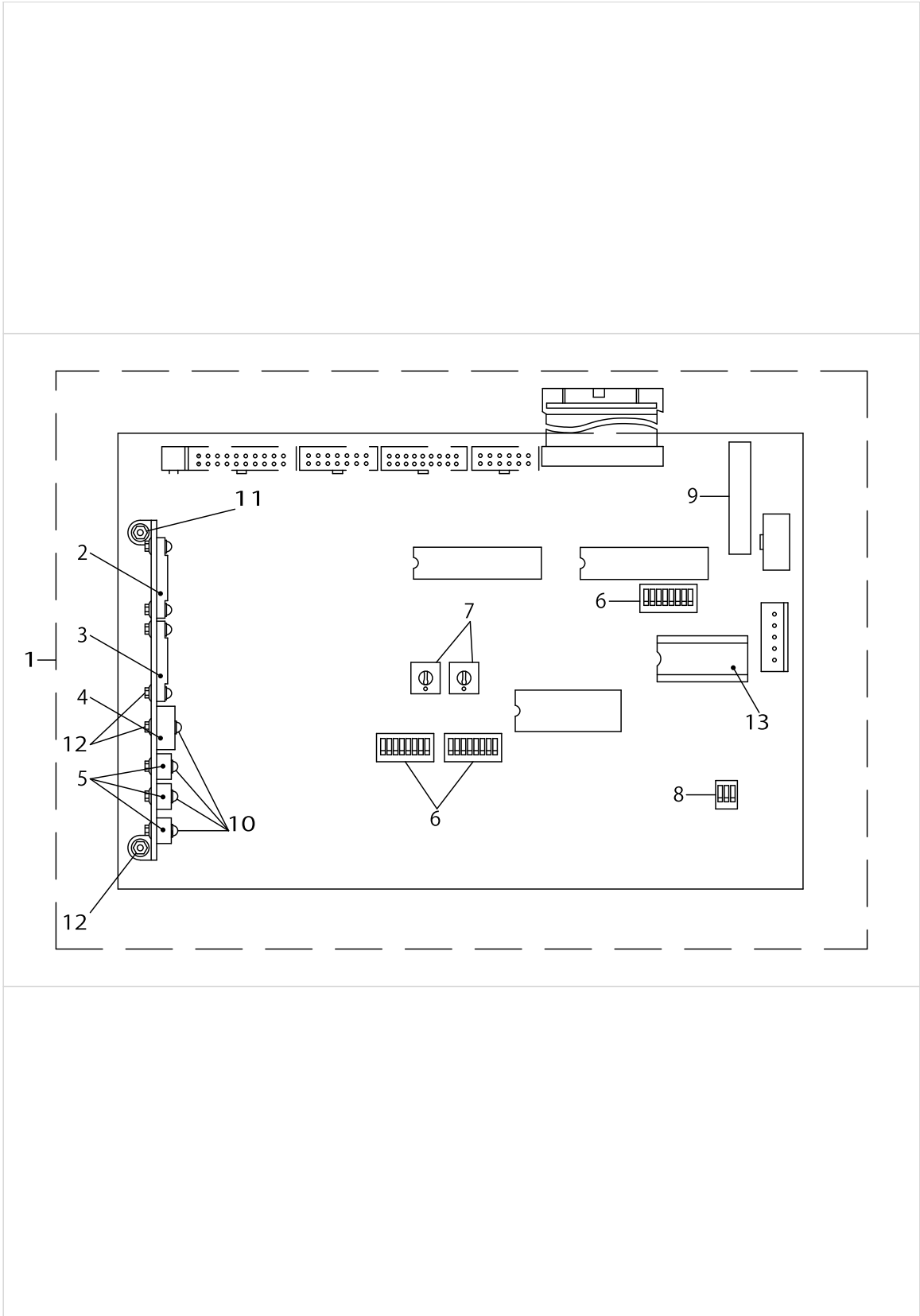
CPU CIRCUIT BOARD COMPONENTS



CPU CIRCUIT BOARD COMPONENTS

No.	Supply Code	Parts No.	Replacement	Parts name	Remarks	Choice	Step	Level	Cons	Qty	Rep. QTY
1	D	M8601543BA0		CPU BASE ASM.						1	
2	D	HX001160000		BATTERY 3.6V				*		1	
3		EA9500B0100		CABLE BAND				*		1	
4	D	HA001080020		DIP SWITCH				*		1	
5		HA001080040		DIP SWITCH 4				*		1	
6	D	HL008420043		IC				*		1	

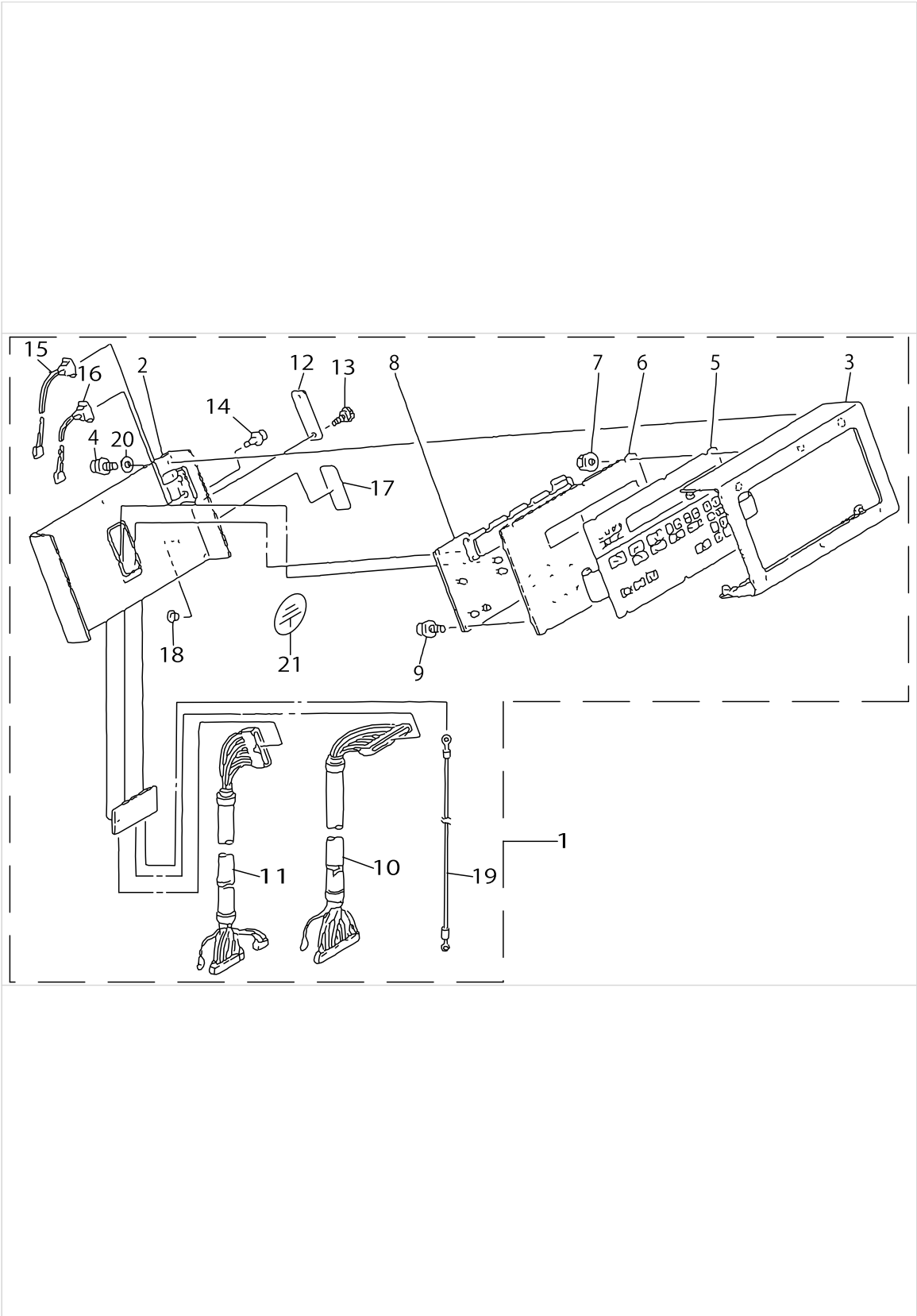
I/O CIRCUIT BOARD COMPONENTS



I/O CIRCUIT BOARD COMPONENTS

No.	Supply Code	Parts No.	Replacement	Parts name	Remarks	Choice	Step	Level	Cons	Qty	Rep. QTY
1	D	M8602544AA0A		I/O BASE ASM. (B)						1	
2		HT003920000		TRANSISTOR				*		1	
3		HT003640000		TRANSISTOR ARRAY				*		1	
4		HT002570000		TRANSISTOR				*		1	
5		HT003570000		TRANSISTOR				*		3	
6		HA001080080		DIP SWITCH 8P				*		3	
7	D	HA002330000		ROTARY SWITCH				*		2	
8	D	HA001080030		DIP SWITCH				*		1	
9		HA000500000		ROTARY SWITCH				*		1	
10		SL4031291SC		SCREW M3X12				*		4	
11		SL4031081SF		SCREW M3 L=10				*		6	
12		NM3034000SF		FLANGE NUT				*		10	
13		HL008420044		IC				*		1	

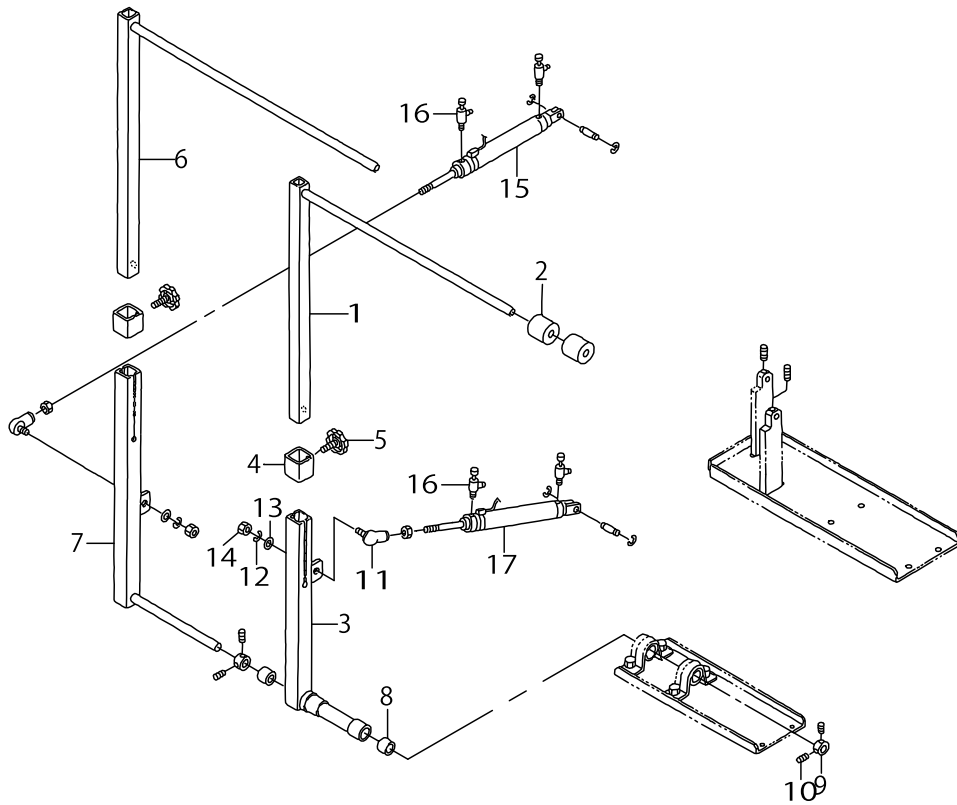
PANEL BOX COMPONENTS



PANEL BOX COMPONENTS

No.	Supply Code	Parts No.	Replacement	Parts name	Remarks	Choice	Step	Level	Cons	Qty	Rep. QTY
1	D	M85305440A0		PANEL BOX ASM.						1	
2		M1030544000		FRAME PANEL BOX				*		1	
3		M1031544000		FRAME PANEL BOX COVER				*		1	
4		SL4030881SF		SCREW				*		5	
5		M8630544000		PANEL MEMBRANE SWITCH				*		1	
6	D	M1032540000		REINFORCEMENT PLATE				*		1	
7		NM3034000SF		FLANGE NUT				*		6	
8	R	M8631543AA0	M8631543AA0A	PANEL CIRCUIT BOARD ASM.				*		1	1.00
9		SL4030881SF		SCREW				*		5	
10	D	M85405440A0		CONNECTING CABLE ASM. 50P				*		1	
11	D	M85415440A0		CONNECTING CABLE ASM. 34P				*		1	
12		M1033543000		COVER				*		1	
13		G6010003000		KNOB SCREW				*		2	
14		SL4020881SC		SCREW M2 X 8				*		4	
15		M85425430A0		FUNCTION SELECT SW ASM. 1				*		1	
16		M85435430A0		FUNCTION SELECT SW ASM. 2				*		1	
17		M1040544000		FUNCTION SELECT SEAL				*		1	
18		TA0800504R0		PLUG D=8 L=4.5				*		1	
19		M85425440A0		EARTH CORD ASM.				*		1	
20		WT0320001KN		WASHER				*		6	
21		E9567319000		EARTH MARK				*		1	

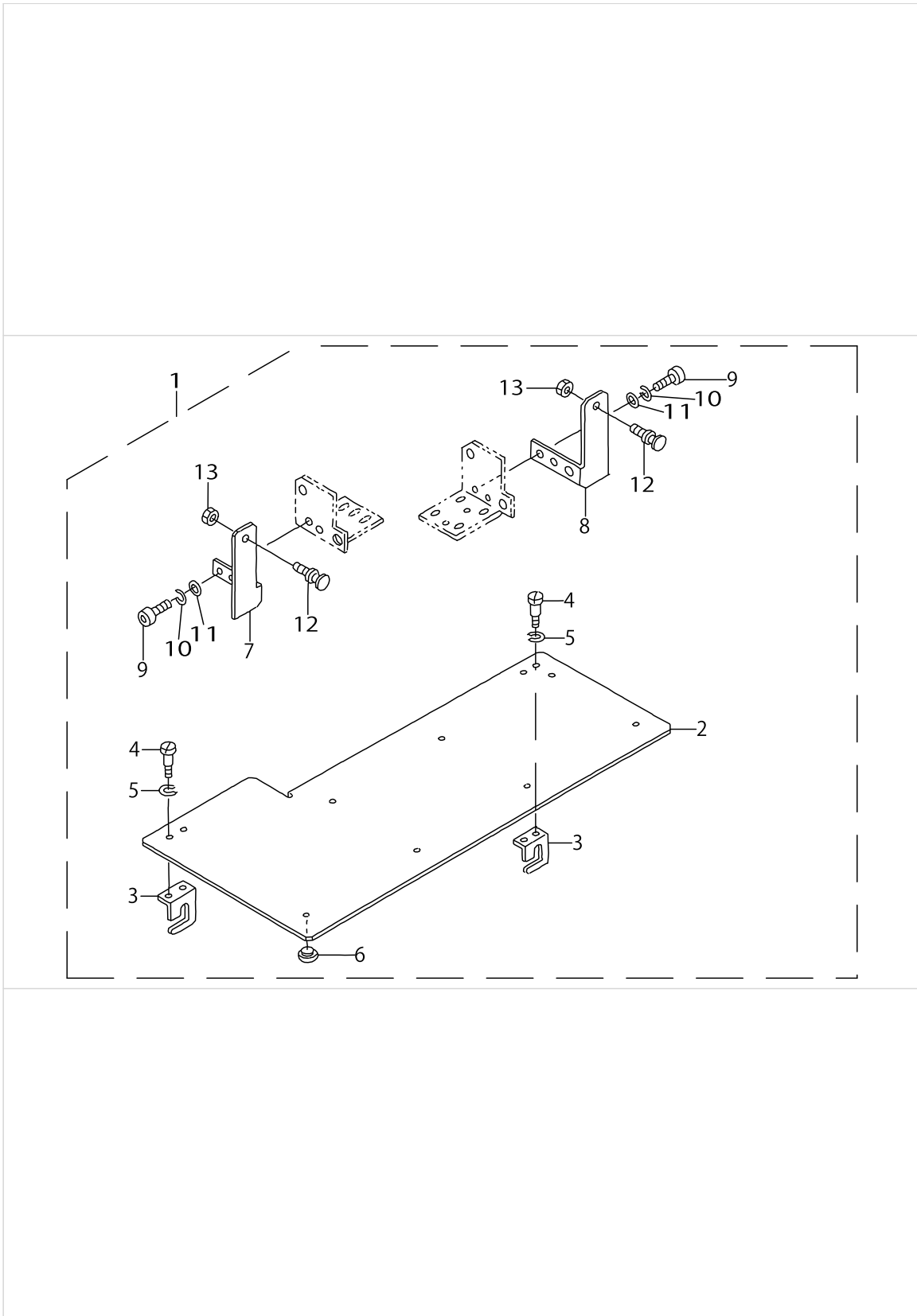
STACKER CYLINDER COMPONENTS



STACKER CYLINDER COMPONENTS

No.	Supply Code	Parts No.	Replacement	Parts name	Remarks	Choice	Step	Level	Cons	Qty	Rep. QTY
1		G5204164000		CLOTH PRESSER						1	
2		G5216164000		STACKER RING						5	
3		G5205164000		CLOTH PRESSER						1	
4		G5208164000		BAR LOCKER						2	
5		G5221164000		KNOB						2	
6		G5206164000		CLOTH PAYMENT						1	
7	D	G5207164000		CLOTH PAYMENT						1	
8		G5218164000		BEARING						2	
9		G2543270000		SHAFT STOP COLLAR A						2	
10		SM8040402TP		SCREW M4X0.7 L=4						4	
11		G5204171000		LINK BOLL						2	
12		WS0820002KN		SPRING WASHER M8						2	
13		WP0841601SC		WASHER 8.4X17.4X1.6						2	
14		NM6080003SC		NUT M8						2	
15		G61081640A0		CLOTH SWEEPING CYLINDER ASM.						1	
16		PC015108000		SPEED CONTROLLER						4	
17		G61091640A0		CLOTH PRESSER CYLINDER ASM.						1	

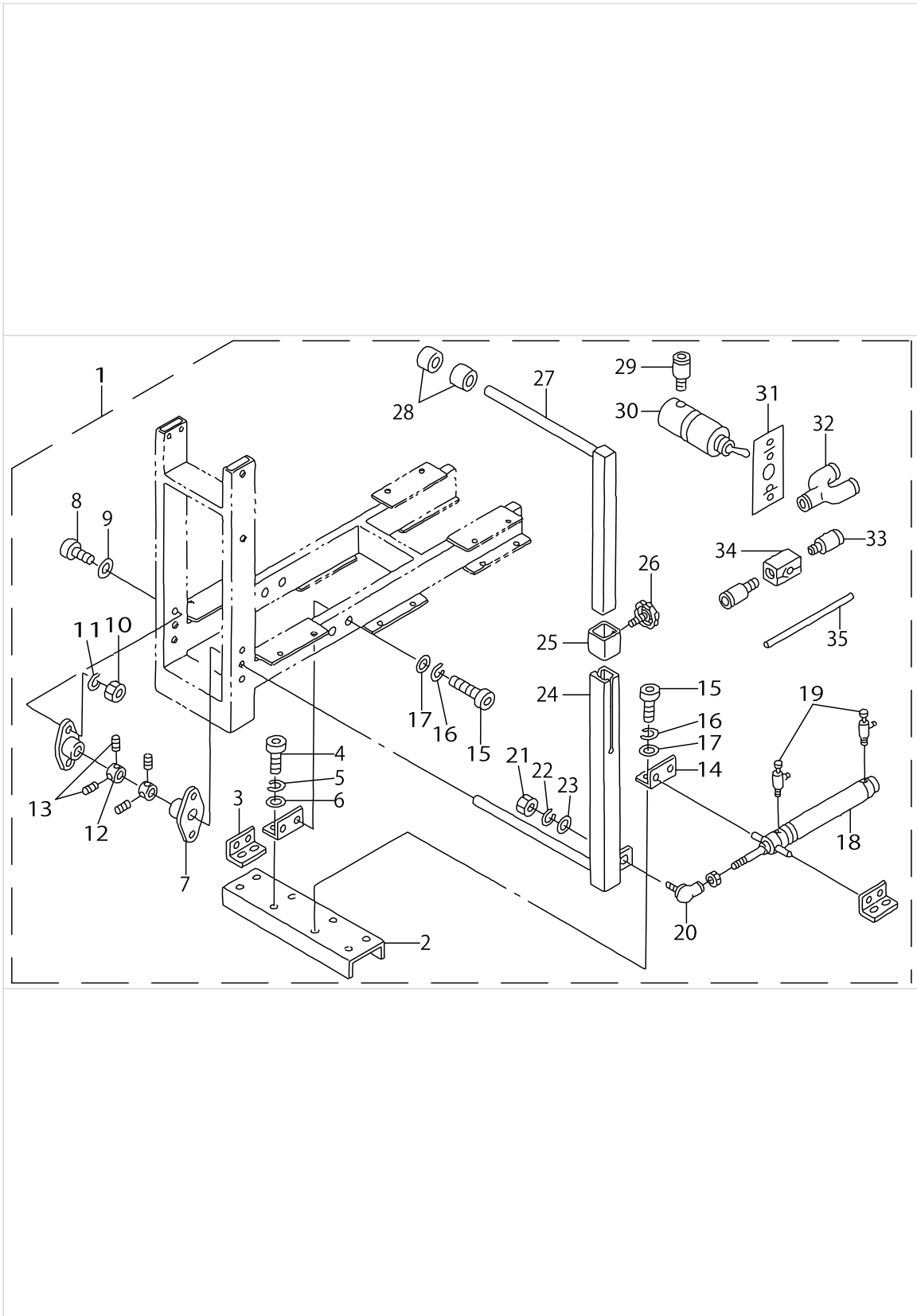
ASSISTANT FEED PLATE COMPONENTS



ASSISTANT FEED PLATE COMPONENTS

No.	Supply Code	Parts No.	Replacement	Parts name	Remarks	Choice	Step	Level	Cons	Qty	Rep. QTY
1		G55101640A0		AUXILIARY FEED BOARD ASM.						1	
2		G5510164000		AUXILIARY FEED BOARD				*		1	
3		G5511164000		BRACKET				*		2	
4		SD0400191TP		HINGE SCREW D=4 H=1.8				*		4	
5		WS0410002KN		SPRING WASHER				*		4	
6		G5178162000		SLIDER				*		8	
7		G5512164000		AUXILIARY FEED SUPPORT (LEFT)				*		1	
8		G5513164000		AUXILIARY FEED S- UPPORT (RIGHT)				*		1	
9		SM6061002TP		SCREW M6 L=10				*		4	
10		WS0610002KN		SPRING WASHER 6.1X12.2X1.5				*		4	
11		WP0641601SC		WASHER				*		4	
12		B1523232000		REGULATING SCREW				*		2	
13		NS6090310SP		NUT 9/64-40				*		2	

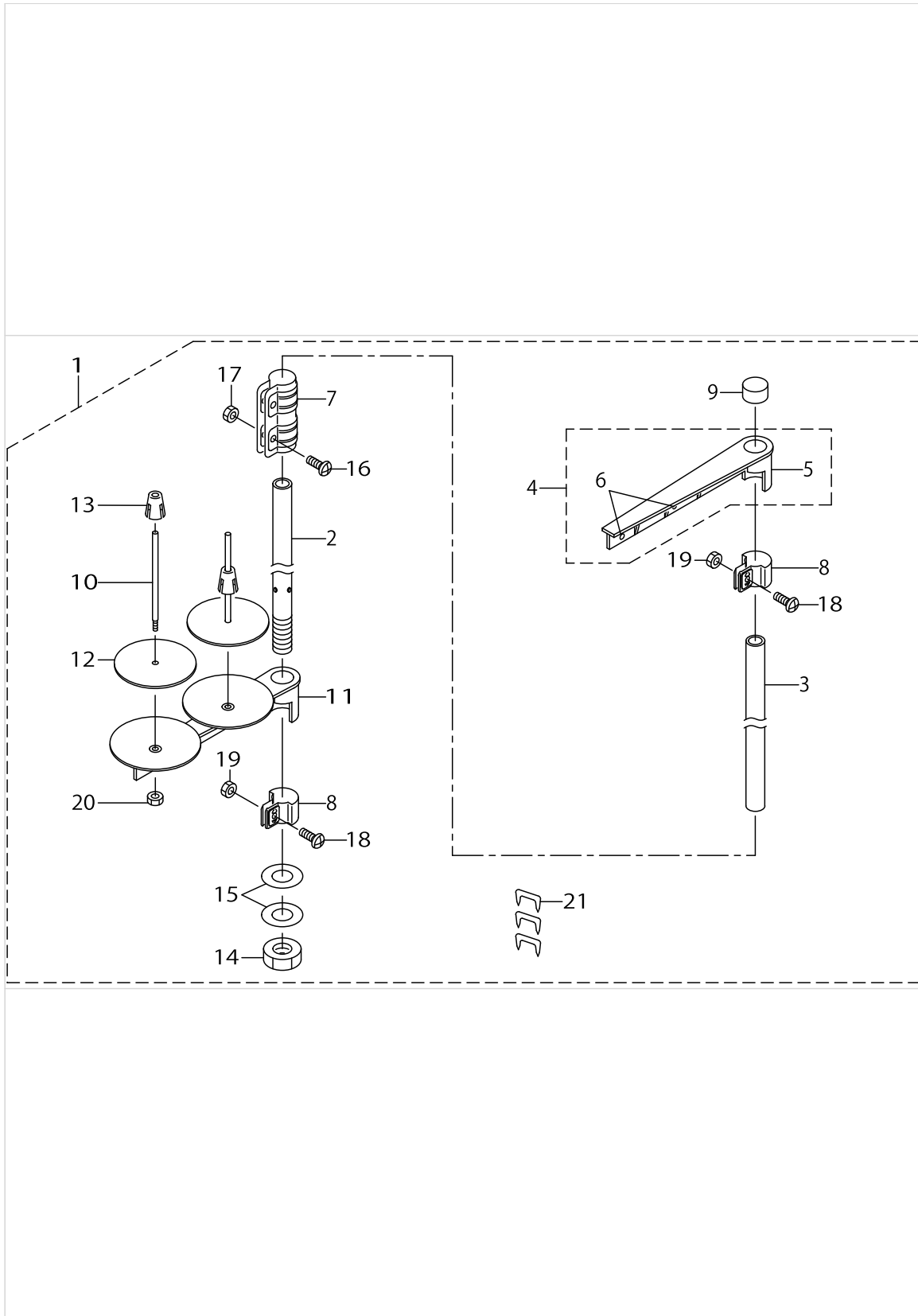
NO.2 PRESSER COMPONENTS



NO.2 PRESSER COMPONENTS

No.	Supply Code	Parts No.	Replacement	Parts name	Remarks	Choice	Step	Level	Cons	Qty	Rep. QTY
1		G55141640A0		PRESSER ASM., NO.2						1	
2	D	G5514164000		CYLINDER SUPPORT BASE				*		1	
3	D	G5038171000		SIDE PLATE SUPPORT				*		2	
4		SM6061202TP		SCREW M6 L=12				*		4	
5		WS0610002KN		SPRING WASHER 6.1X12.2X1.5				*		4	
6		WP0641601SC		WASHER				*		4	
7	D	G5518164000		FLANGE UNIT				*		2	
8		SM6061202TP		SCREW M6 L=12				*		4	
9		WP0641601SC		WASHER				*		4	
10		NM6060001SC		NUT M6				*		4	
11		WS0610002KN		SPRING WASHER 6.1X12.2X1.5				*		4	
12	D	G5215171000		THRUST COLLAR				*		2	
13		SM8060812TP		SCREW M6 L=8				*		4	
14		G5515164000		CYLINDER BRACKET				*		2	
15		SM6061202TP		SCREW M6 L=12				*		8	
16		WS0610002KN		SPRING WASHER 6.1X12.2X1.5				*		8	
17		WP0641601SC		WASHER				*		8	
18	D	PA2007503A0		AIR CYLINDER				*		1	
19		PC015108000		SPEED CONTROLLER				*		2	
20		G5204171000		LINK BOLL				*		1	
21		NM6080003SC		NUT M8				*		1	
22		WS0820002KN		SPRING WASHER M8				*		1	
23		WP0841601SC		WASHER 8.4X17.4X1.6				*		1	
24	D	G5517164000		PRESSER, LOWER				*		1	
25		G5208164000		BAR LOCKER				*		1	
26		G5221164000		KNOB				*		1	
27		G5516164000		PRESSER, UPPER				*		1	
28		G5216164000		STACKER RING				*		5	
29		PJ301040504		JOINTING				*		3	
30		PV010507000		VALVE				*		1	
31		G5519164000		STACKER OPEN SWITCH LABEL				*		1	
32		PJ308040002		QUICK COUPLING				*		1	
33		PJ301040504		JOINTING				*		2	
34		PV020501000		CHECK VALVE				*		1	
35		BT0400251EB		URETHANE HOSE, BLACK				*		1	

THREAD STAND COMPONENTS



THREAD STAND COMPONENTS

No.	Supply Code	Parts No.	Replacement	Parts name	Remarks	Choice	Step	Level	Cons	Qty	Rep. QTY
1	R	11185055	40096354	THREAD STAND ASM.						1	1.00
2	R	11185105	40096354	SPOOL REST ROD,LOWER				*		1	1.00
3	R	11185204	40096354	SPOOL REST ROD,UPPER				*		1	1.00
4	R	11185352	40096354	THREAD GUIDE ASM.				*		1	1.00
5		11185303		THREAD GUIDE				*		1	
6	R	B3319704L00	22931208	THREAD GUIDE				*		2	1.00
7	R	B3305704000A	40096354	SPOOL REST ROD JOINT				*		1	1.00
8	R	11185402	40096354	THREAD GUIDE ARM JOINT				*		2	1.00
9	R	B3311704000	22931406	SPOOL REST ROD CAP				*		1	1.00
10	R	B3320704L00A	40085790	SPOOL PIN				*		2	1.00
11	D	11185006		SPOOL REST ARM				*		1	
12	D	B3311012000		SPOOL REST CUSHION				*		2	
13	D	11185501		SPOOL RETAINER				*		2	
14	R	B3317704000	NM6160511SE	NUT				*		1	1.00
15		WP1612616SE		WASHER 16X30X2.6				*		2	
16		SM4051405SE		SCREW M5 L=14				*		2	
17		NM6050001SE		NUT M5				*		2	
18		SM4051405SE		SCREW M5 L=14				*		2	
19		NM6050001SE		NUT M5				*		2	
20		NM6050001SE		NUT M5				*		2	
21		MAO11532000		CORD STAPLE				*		3	

LIST FOR INFORMATION OF CHANGE (1)

As to the place changed, refer to the corresponding Rev.No.
 When previous parts(Obsoleted part)and new parts(Added parts)are
 not interchangeable with each other:
 In this case,even obsoleted parts(D.)can be ordered with the
 obsoleted part number,so select the parts with changed dates and
 place your orders.

変更箇所は、該当Rev.No.版をご参照ください。
 部品の互換性がない変更の場合は、削除された品番でも、ご注文できます。

29039104
 No.0633-05 Rev.No.

*A:Added parts追加部品/D:Obsoleted parts削除部品/E:Erratum訂正

* Rev. No.	Page 頁	Ref. No.	Parts No. 品番	* Rev. No.	Page 頁	Ref. No.	Parts No. 品番
D 04	1	39	D2121-555-D00	A 05	1	39	B3013-141-H0A
D 04	14	1	MAZ-16727000	A 05	14	1	MAZ-08920000-A
D 04	14	23	WP-0451026-SH	A 05	14	23	WP-0451026-SD
D 04	15	9	MAZ-16715000	A 05	15	9	MAZ-08915000-A
D 04	18	21	B2549-372-R00	A 05	18	21	B2549-372-R00-A
D 04	18	24	B2548-372-RA0	A 05	18	24	B2548-372-R00-A
D 04	18	34	MAZ-16715000	A 05	18	34	MAZ-08915000-A
				A 05	18	73	WS-0410002-KN
				A 05	18	74	SM-6051602-TP
				A 05	18	75	WS-0510002-KN
D 04	24	26	SK-3381301-SC	A 05	24	26	SM-8050602-TP
D 04	36	26	GBR-21105000	A 05	36	26	182-28007
D 04	36	33	182-12704	A 05	36	33	182-28106
D 04	36	34	182-12605	A 05	36	34	WS-0410002-KN
D 04	36	35	165-91505	A 05	36	35	HX-0033900-0B
D 04	36	36	GBR-11116000	A 05	36	36	HX-0033900-00
D 04	36	37	SM-0040801-SC				
D 04	36	38	WS-0410002-KN				
D 04	36	39	NM-6040003-SC				
				A 05	58	48	M8510-544-BA0
				A 05	58	49	M8529-544-OA0
				A 05	58	50	M8520-544-OA0
				A 05	58	51	M8521-544-OA0
				A 05	58	52	M8522-544-OA0
				A 05	58	53	M8524-544-OA0
				A 05	58	54	M8525-544-OA0
				A 05	58	55	M8526-544-OA0
				A 05	58	56	M8524-540-OA0
				A 05	58	57	M8525-540-OA0
				A 05	58	58	G8015-397-000
				A 05	58	59	M3007-519-000

HOW TO MAKE USE OF THIS PARTS LIST

1.Explanation of codes

1)"*"mark.....means this part is changed from the previous parts book.

As to the details of the change, refer to the "List for information of change".

2)"#01".....refer to "Note" explanation at bottom of page.

2.Codes on the "Qty" column

• Each numeral indicates the number of parts required.

• "0.1" and "2.5" indicate the length (in meters) of the respective parts.

3.Parentheses mean that the corresponding part is a subpart that constructs an assembly part.

4.Dotted lines on the Figures indicate assembly parts.

1."注記"欄の記号説明

1) "*"印.....前回のパーツブックに比較して今回変更された部品を意味します。

変更内容は、"変更情報リスト"を参照してください。

2) "#01".....ページ下の"注記"の説明を参照してください。

2.数量欄の数字は、個数を表し、0.1、2.5等の数値は、長さ（単位メートル）を表します。

3.数量欄の（ ）は、組部品を構成している子部品であることを意味します。

4.イラストページの-----枠は、組構成であることを意味します。

Other parts list related to this model.

この機種に関するパーツリストとして下記のパーツリストがあります。

1.LK-1850 SERIER(No.0540)

High speed 1-needle cylinder bed lockstitch bar tacking industrial sewing machine.

高速一本針本縫筒型門止めミシン

NUMERICAL INDEX OF PARTS

PART NO	PAGE	REF NO.	PART NO	PAGE	REF NO.	PART NO	PAGE	REF NO.
10004109	92	20	13809009	14	4	13817408	12	25
10519205	12	19	13809157	14	6	16111403	68	33
11110707	44	54	13809207	20	4	16111502	68	34
11185006	114	11	13809306	20	1	16550204	42	32
11185055	114	1	13809405	20	2	16550402	42	35
11185105	114	2	13809504	20	5	16551806	42	28
11185204	114	3	13809553	20	3	16551905	42	16
11185303	114	5	13809603	20	23	16552309	42	20
11185352	114	4	13809702	20	24	16552507	38	1
11185402	114	8	13809801	20	6	16552606	38	9
11185501	114	13	13809900	20	7	16553208	38	21
13516505	20	26	13810007	20	8	16553208	48	5
13517206	20	27	13810106	20	9	16553307	38	22
13517404	20	10	13810205	20	25	16553406	40	60
13518105	2	43	13810304	36	51	16553505	40	61
13518105	84	43	13810403	36	50	16554008	38	42
13525506	58	35	13811906	36	52	16554008	50	47
13531207	90	69-70	13812003	36	53	16554503	38	31
13531504	90	69-70	13812102	10	6	16556300	42	34
13533203	58	31	13812102	58	30	16556409	42	33
13540901	36	47	13812508	18	1	16556607	42	29
13541305	12	4	13812607	18	2	16556706	38	19
13737507	14	28	13812706	18	3	16556805	38	25
13805601	12	1	13812805	18	4	16557209	38	4
13805700	12	2	13812904	18	5	16557209	48	31
13805809	12	3	13813001	18	6	16557308	42	11
13806005	12	10	13813159	18	7	16557407	42	4
13806104	16	5	13813209	18	8	16557506	38	30
13806203	16	1	13813308	18	9	16557605	38	35
13806302	16	2	13813407	18	10	16557902	42	40
13806450	16	3	13813506	18	20	16558009	58	2
13806559	16	4	13813605	24	3	16558108	58	3
13807052	12	12	13813704	24	1	16558801	42	17
13807102	12	13	13813803	24	2	16559007	38	32
13807201	12	14	13814108	32	12	16559601	40	53
13807300	12	15	13814207	32	3	16560104	46	14
13807409	12	16	13814306	32	6	16560203	46	32
13807508	12	17	13814504	32	9	16561607	46	15
13807904	12	40	13814702	32	7	16561904	88	14
13808159	14	1	13814900	32	8	16562001	46	18
13808308	14	26	13815105	32	1	16562100	46	23
13808407	14	20	13815204	32	4	16562308	46	20
13808506	14	16	13815451	32	2	16562407	46	19
13808852	14	17	13815550	32	5	16562803	46	4
13808902	14	22	13815709	32	10	16562902	46	6

NUMERICAL INDEX OF PARTS

PART NO	PAGE	REF NO.	PART NO	PAGE	REF NO.	PART NO	PAGE	REF NO.
16562902	90	60	16577207	56	16	18217950	46	3
16565400	48	37	16577306	56	20	18218008	48	28
16565509	48	38	16577405	56	22	18218206	38	3
16565707	48	7	16577504	56	11	18218909	48	6
16565905	50	75	16586307	64	28	18219006	40	55
16566002	48	4	16870206	64	25	18219204	48	46
16566408	48	25	18200303	52	29	18219501	52	20
16566507	48	1	18200352	52	27	18219600	52	40
16566606	48	10	18200501	42	36	18219709	38	2
16567000	48	14	18200501	58	1	18219808	38	10
16567166	48	40	18200907	54	63	18222604	64	27
16567802	50	49	18200956	54	62	18227553	46	9
16567901	50	52	18201103	54	52	18227702	38	17
16568206	50	60	18201608	48	27	18227850	38	7
16568404	52	30	18201905	52	6	18227959	42	5
16568602	54	60	18201962	52	1	18228007	64	26
16568651	54	59	18202002	52	7	18228106	64	33
16568909	52	26	18202150	48	30	18250407	58	38
16569204	52	11	18202408	56	23	18250506	58	39
16569501	52	18	18203307	52	4	18251553	56	27
16569600	52	17	18204107	48	43	B1110280000	18	11
16570103	52	21	18204503	52	25	B1123280000	14	24
16570202	52	22	18204701	58	36	B1141229000	60	46
16570301	52	23	18205401	42	21	B1240980000	32	11
16570509	54	48	18205609	42	18	B12629800A0	16	8
16570657	54	50	18205708	42	13	B1414232000	20	29
16570707	52	33	18205906	42	6	B141423200A	20	28
16570905	52	37	18206003	42	1	B1523232000	110	12
16571408	54	49	18206201	42	15	B1649161000	44	62
16571507	52	43	18206409	42	7	B1663804000	20	11
16571804	52	45	18206656	42	12	B18289800BB	10	7
16571903	52	15	18206706	38	24	B2107816000	48	8
16572406	48	24	18206904	38	36	B2107816000	54	55
16572505	50	50	18207209	46	11	B2303220000	12	22
16572703	52	64	18207506	46	13	B2313280000	12	21
16572703	54	64	18207605	36	60	B2351180000	14	11
16573008	52	14	18207902	38	14	B242328000D	18	12
16573305	50	53	18208900	36	64	B2544280000	66	30
16573701	52	2	18209007	36	61	B2548372R00A	34	24
16573800	52	10	18209403	50	61	B2549372R00A	34	21
16573909	52	46	18209502	48	44	B2553372000	34	40
16574006	48	18	18212506	46	8	B2559372000	28	14
16574105	48	3	18212902	54	65	B2559372000	34	38
16577009	56	1	18217505	50	48	B2560372000	34	41
16577108	56	18	18217752	38	34	B2561372000	36	44

NUMERICAL INDEX OF PARTS

PART NO	PAGE	REF NO.	PART NO	PAGE	REF NO.	PART NO	PAGE	REF NO.
B3052816000	54	69	B9112012000	58	23	E8523304000	96	23
B3107804000	12	24	B9113012000	58	24	E9567319000	106	21
B3112761000	12	23	B9118232000	58	12	E9602701000	92	29
B3114232000	12	28	B91210120A0	58	13	E9602701000	96	22
B3120125000	12	26	B9141372000	58	17	E9611601000	96	24
B3125012000	36	57	B9142372000	58	14	EA9500B0100	68	9
B3125155000	20	12	B9143372000	58	25	EA9500B0100	78	39
B3126012000	12	27	BT0400251EB	68	39	EA9500B0100	102	3
B3132552000	12	29	BT0400251EB	98	27	EA9544B0200	96	21
B32012100A0	6	17	BT0400251EB	112	35	G2303270000	12	31
B3203210000	6	19	BT0600401EB	68	38	G2526270000	78	32
B3204210000	6	3	CM200100001	94	61	G2526270000	98	16
B3205210000	6	20	CM300100001	94	47	G2543270000	80	9
B3206210000	6	9	CM300100001	100	22	G2543270000	108	9
B3207210000	6	13	CM300100101	92	46	G5001164000	60	13
B3208210000	6	11	CM300100101	100	21	G5002164000	60	22
B3208280000	6	16	CM300200003	4	56	G5003164000	60	26
B3209210000	6	10	CM300200003	78	43	G5004164000	60	28
B3210210000	6	4	CM300200003	86	56	G5005164000	60	29
B3211210000	6	7	CM3002000B1	4	55	G5006164000	80	38
B3212210000	6	8	CM3002000B1	86	55	G5007164A00	80	46
B3212761000	6	2	CM3002000B2	78	42	G5008164000	82	71
B3213210000	16	6	CM300200202	64	37	G5009162000	66	25
B3214047000	6	24	CM300600101	90	75	G5009164000	70	20
B3214047000	14	10	CM500000001	90	74	G5010164000	70	19
B3216047000	6	26	CM500100001	90	73	G5011164000	74	11
B3218232000	6	25	CS1001011SH	12	5	G5012164000	74	10
B3218232000	14	9	D1401L7VV00	10	8	G5013164000	74	12
B3219232000	6	23	D1405M7WF00	10	1	G5014164000	74	26
B3305704000A	114	7	D1901L7VVB0	10	3	G5015164000	60	10
B3311012000	114	12	D1904L7VV00	10	4	G5016164000	60	1
B3311704000	114	9	D1906L7VV00	10	5	G5017164A00	60	11
B3317704000	114	14	D2427555B00B	18	14	G5018164000	60	2
B3319704L00	114	6	D2430555B00	6	14	G5019164000	74	40
B3320704L00A	114	10	D2502232D00	34	7	G5019171000	66	15
B3518352000	18	13	D2505232D00	34	5	G5020164000	60	12
B4131357000	78	28	D2527232D00	36	55	G5020171000	66	16
B7101761BA0	90	66	D2528232D00	36	56	G5021164000	60	45
B8170220000	2	38	D2548232D00	34	11	G5021171000	66	29
B8170220000	84	38	D2572M1YC0F	34	10	G5022164000	2	45
B8601WP10A0	58	34	D2713M1YCA0	18	15	G5022164000	60	44
B9101552000	58	32	D3149141E00	26	14	G5022164000	84	45
B9109555000	58	20	D3162555B00	14	18	G5023164000	62	47
B9110012000	58	21	D9101L9SB00	58	16	G5024164000	66	8
B9111012000	58	22	E5006171000	44	52	G5025164000	66	1

NUMERICAL INDEX OF PARTS

PART NO	PAGE	REF NO.	PART NO	PAGE	REF NO.	PART NO	PAGE	REF NO.
G5026162000	64	24	G5118164000	78	6	G5209164000	84	28
G5026164000	66	13	G5119164000	78	7	G5210164000	2	5
G5027164000	66	4	G5120164000	70	14	G5210164000	84	5
G5028164000	60	34	G5121164000	70	15	G5211164000	2	29
G5029164000	68	1	G5122164000	70	16	G5211164000	84	29
G5030164000	82	47	G5123164000	70	17	G5212164000	2	33
G5032164000	60	19	G5124164000	78	11	G5212164000	84	33
G5033164000	64	5	G5124164000	98	11	G5213164000	2	42
G5033172000	60	18	G5125164000	78	15	G5213164000	84	42
G5034164000	64	1	G5125164000	98	15	G5214164000	2	46
G5034171000	60	40	G5126164000	78	16	G5214164000	84	46
G5034171000	64	20	G5126164000	98	20	G5215164000	2	47
G5035164000	64	7	G5127164000	78	17	G5215164000	84	47
G5036164000	64	3	G5128164000	78	18	G5215171000	112	12
G5037164000	64	12	G5129164000	78	20	G5216164000	108	2
G5038164000	64	14	G5130164A00	78	22	G5216164000	112	28
G5038171000	60	38	G51311640A0	78	23	G5217164000	2	23
G5038171000	112	3	G5132164000	78	25	G5217164000	84	23
G5039164A00	64	9	G5133164000	78	26	G5218164000	108	8
G5040164000	64	16	G5134164000	70	18	G5219164000	2	14
G5041164000	60	14	G5135164000	58	4	G5219164000	84	14
G5042164A00	88	27	G5138161000	58	5	G5220164000	2	9
G5045164000	60	6	G5138161000	66	12	G5220164000	84	9
G5045171000	60	39	G5138161000	78	33	G5221164000	108	5
G5046164000	68	44	G5138161000	98	36	G5221164000	112	26
G5101164000	74	1	G5139164000	58	33	G5234164000	2	34
G5102164000	74	2	G5144162000	78	27	G5234164000	84	34
G5103164000	70	1	G5146171000	80	31	G5235164000	4	51
G5104164000	70	2	G5153171000	40	48	G5235164000	86	51
G5105164000	70	3	G5153171000	74	16	G5301164000	80	1
G5106164000	70	4	G5153171000	82	79	G5302164000	80	5
G5107164000	70	5	G5178162000	110	6	G5303164000	80	11
G5108164000	70	6	G5202164000	2	10	G5304164000	80	12
G5109164000	70	7	G5202164000	84	10	G5305164000	80	16
G5109171000	74	33	G5203164000	2	19	G5306164000	80	18
G5110164000	70	8	G5203164000	84	19	G5307164000	80	19
G5110171000	74	34	G5204164000	108	1	G5308164000	80	20
G51111640A0	70	9	G5204171000	108	11	G5309164000	80	21
G5111171000	74	36	G5204171000	112	20	G5310164000	80	22
G5112164000	70	11	G5205164000	108	3	G5311164000	80	26
G5113164000	70	10	G5206164000	108	6	G5312164000	80	27
G5114164000	70	12	G5207164000	108	7	G5313164000	80	32
G5115164000	70	13	G5208164000	108	4	G5314164000	80	33
G5116164000	78	1	G5208164000	112	25	G5315164000	80	29
G5117164000B	78	2	G5209164000	2	28	G5316164000	80	37

NUMERICAL INDEX OF PARTS

PART NO	PAGE	REF NO.	PART NO	PAGE	REF NO.	PART NO	PAGE	REF NO.
G5327164000	80	43	G55141640A0	112	1	GBR01431000	56	9
G5328164000	80	44	G5515164000	112	14	GBR01432000	56	10
G5329164000	82	51	G5516164000	112	27	GBR01437000	58	37
G5330164000	82	55	G5517164000	112	24	GBR01441000	56	4
G5331164000	82	56	G5518164000	112	7	GBR01601000A	34	23
G5332164000	80	39	G5519164000	112	31	GBR01606000	34	18
G5384171000	82	69	G5520164A00	36	71	GBR01607000	34	16
G5401164A00	64	11	G5521164A00	36	72	GBR10782000	100	19
G5402164A00	88	1	G5841270000	68	37	GBR10802000	100	2
G5403164000	82	58	G6010003000	106	13	GBR108210A0	100	8
G5406164000	88	4	G61011640A0	74	30	GBR108430A0	48	21
G5407164A00	88	37	G61021640A0	74	13	GBR108440A0	48	19
G5410164000	88	45	G61031640A0	74	31	GBR108450A0	54	67
G5411164000	90	63	G61041640A0	66	20	GBR10852000	38	43
G5412164000	90	58	G61051640A0	82	75	GBR10853000	50	59
G5414171000	90	53	G61071640A0	68	31	GBR10854000	50	62
G5416164000	90	62	G61081640A0	108	15	GBR108550A0	42	42
G5416171000	90	54	G61091640A0	108	17	GBR108560A0	54	47
G5417164000	88	44	G61101640A0	76	47	GBR108590A0	46	27
G5418164000	46	25	G61111640A0	76	48	GBR11101000	38	38
G5418164000	88	24	G61121640A0	78	41	GBR11102000	40	46
G5419164000	88	18	G6312166000	96	4	GBR11104000	38	44
G5420164000	88	16	G64011640A0	68	6	GBR11107000	46	21
G5421162000	88	28	G64021640A0	68	16	GBR11108000	42	9
G5421164000	88	25	G65021640A0	74	32	GBR11109000	44	59
G5422164B00	88	42	G67041640A0	90	71	GBR11110000	44	49
G5423164000	88	26	G6801164000	68	40	GBR11111000	44	50
G5458116000	68	35	G6802164000	68	41	GBR11112000	44	55
G5501164000	98	2	G8015397000	94	58	GBR11113000	44	64
G55011640A0	98	1	GAF010020B0	20	35	GBR11114000	44	51
G5502164000	98	5	GAF01007000	20	39	GBR11781000	100	11
G5503164000	98	6	GAF01009000	20	40	GBR117830A0	100	14
G5504164000	98	7	GAF01012000	22	47	GBR117840A0	100	15
G5505164000	98	17	GBR01120000	46	1	GBR117850A0	100	13
G5506164000	98	21	GBR01126000A	46	10	GBR117860A0	100	12
G5507164000	98	25	GBR01160000	36	59	GBR11801000	100	6
G5508164000	98	32	GBR01161000	36	58	GBR118010A0	100	1
G55081640A0	98	31	GBR01168000	46	17	GBR118110A0	100	7
G5509164000	98	37	GBR01175000	42	41	GBR118220A0	100	9
G5510164000	110	2	GBR01422000	58	7	GBR118470A0	38	45
G55101640A0	110	1	GBR014220A0	56	26	GBR21103000	40	47
G5511164000	110	3	GBR01423000	58	6	GBR218420A0	40	49
G5512164000	110	7	GBR01426000	56	2	GBR218460A0	100	20
G5513164000	110	8	GBR01428000	56	14	GCT02904000	58	18
G5514164000	112	2	GBR01429000A	56	19	GCT02905000	58	19

NUMERICAL INDEX OF PARTS

PART NO	PAGE	REF NO.	PART NO	PAGE	REF NO.	PART NO	PAGE	REF NO.
GCT02906000	58	15	HX001500000	82	80	M85425440A0	106	19
HA000500000	104	9	HX00150000A	26	28	M85435430A0	106	16
HA000830000	58	11	HX00150000A	78	37	M8601543BA0	92	5
HA001080020	102	4	HX00222000A	92	34	M8601543BA0	102	1
HA001080030	104	8	HX002400000	96	2	M8602544AA0A	92	7
HA001080040	102	5	HX00269000B	92	12	M8602544AA0A	104	1
HA001080080	104	6	HX003330000	8	6	M8603544000	96	9
HA002330000	104	7	HX003390000	54	68	M8603544AA0	92	11
HC011504720	96	19	HX003390000	64	36	M8603544AA0	96	8
HC027501030	96	18	HX00339000B	64	35	M8630544000	106	5
HD000360000	46	28	HX004100000	92	35	M8631543AA0	96	1
HD000670000	58	9	M1001544000A	92	1	M8631543AA0	106	8
HD000830000	58	8	M10025440A0	92	2	M9620110000	92	45
HD000840000	58	10	M1004540000	92	4	MAO11532000	114	21
HF00511000B	92	27	M1004544000A	92	9	MAO11602N00	66	21
HF005111000	92	26	M1010544000	92	38·60	MAZ088270A0	34	19
HG002650000	96	14	M1010544B00	94	38·60	MAZ08829000	34	39
HG003770000	96	16	M1020544000	92	39	MAZ08915000A	28	9
HG003780000	96	15	M1021540000	92	43	MAZ08915000A	34	34
HG004350000	96	3	M1021544000	92	42	MAZ08916000	28	6
HG004750000	96	6	M1022543000	92	40	MAZ08916000	34	31
HK017150070	92	30	M1022544000	92	41	MAZ08917000	28	8
HK03464000A	68	18	M1030544000	106	2	MAZ08917000	34	33
HK044350120	88	35	M1031544000	106	3	MAZ08919000	26	4
HK044450060	92	32	M1032540000	106	6	MAZ08920000A	26	1
HK054250040	94	62	M1033543000	106	12	MAZ08921000	26	2
HL006940000	96	10	M1040544000	106	17	MAZ089830A0	16	11
HL008420043	102	6	M3007519000	94	59	MAZ15502000	36	66
HL008420044	104	13	M85105440A0	92	13·48	MAZ15503000	34	4
HL011800000	96	13	M8510544BA0	94	13·48	MAZ155030A0	34	3
HL011820000	96	12	M85115440A0	92	15	MAZ155030B0	34	2
HM0003800A0	92	16	M85205440A0	94	50	MAZ15504000	34	6
HM000570000	74	9	M85215400A0	92	19·49	MAZ15505000	34	27
HM000570010	92	24	M85215440A0	94	51	MAZ15509000	28	12
HR030301030	96	7	M85225440A0	94	52	MAZ15514000	36	46
HT002570000	104	4	M85245400A0	94	56	MAZ15515000	34	12
HT003570000	104	5	M85245440A0	94	53	MAZ15517000	34	13
HT003640000	104	3	M85255400A0	94	57	MAZ15518000	34	43
HT003920000	104	2	M85255440A0	94	54	MAZ15601000	28	1
HX000240000	92	36	M85265440A0	94	55	MAZ15602000	28	2
HX00024000C	92	37	M85295440A0	94	19·49	MAZ15801000	36	67
HX00055000J	68	19	M85305440A0	106	1	MAZ165070A0	34	36
HX00094000C	96	5	M85405440A0	106	10	MAZ165070B0	34	35
HX000980000	100	4	M85415440A0	106	11	MAZ16522000	34	42
HX001160000	102	2	M85425430A0	106	15	MAZ16523000	6	29

NUMERICAL INDEX OF PARTS

PART NO	PAGE	REF NO.	PART NO	PAGE	REF NO.	PART NO	PAGE	REF NO.
MAZ165230A0	6	1	NM6040001SC	38	62	NS6150440SP	20	14
MAZ16524000	6	30	NM6040001SC	40	62	PA0601004A0	26	17
MAZ16525000	6	22	NM6040001SC	42	37	PA160100500	78	34
MAZ165250A0	6	21	NM6040001SC	46	5	PA160100500	98	23
MAZ16526000	30	1	NM6040001SC	48	73	PA1601510A0	90	56
MAZ16530000	20	42	NM6040001SC	50	73	PA2003502A0	88	34
MAZ165300A0	20	34	NM6040001SC	52	24	PA2007503A0	112	18
MAZ16531000	20	44	NM6050001SC	38	23	PC010511000	90	68
MAZ16532000	22	49	NM6050001SC	42	3	PC010514000	68	20
MAZ16533000	8	2	NM6050001SC	46	7	PC015108000	108	16
MAZ16534000	8	1	NM6050001SC	88	64	PC015108000	112	19
MAZ16535000	20	45	NM6050001SC	90	64	PF0552090A0	68	21
MAZ16538000	6	32	NM6050001SE	114	20	PH0300125S0	44	48
MAZ165390A0	12	7	NM6060001SC	56	5	PH0300185S0	52	16
MAZ166070A0	28	11	NM6060001SC	60	33	PJ015251001	68	32
MAZ166070B0	28	10	NM6060001SC	78	19	PJ020500001	68	14
MAZ16714000	34	29	NM6060001SC	88	46	PJ030520001	68	29
MAZ167140A0	34	28	NM6060001SC	98	22	PJ046052503	26	18
MAZ167140B0	34	1	NM6060001SC	112	10	PJ050525201	68	27
MAZ16718000	26	15	NM6080001SC	2	41	PJ301040504	68	13
MAZ16722000	26	5	NM6080001SC	56	21	PJ301040504	112	33
MAZ16723000	26	11	NM6080001SC	80	6	PJ301060503	88	36
MAZ16726000	26	9	NM6080001SC	84	41	PJ301065103	68	15
MAZ167310A0	12	20	NM6080003SC	108	14	PJ301065201	68	28
MAZ16742000	16	9	NM6080003SC	112	21	PJ303060001	68	36
MAZ16743000	16	10	NM6160001SC	60	20	PJ304040504	78	36
MAZ167810A0	8	7	NM6860003SC	26	3	PJ304040504	90	57
MAZ167820A0	26	29	NM7030510SA	26	16	PJ305040503	98	28
MAZ16814000	28	4	NS6080210SP	26	10	PJ305065201	68	30
MAZ168140A0	28	3	NS6080210SP	34	17	PJ308040002	112	32
MC372000900	10	11	NS6090310SP	18	16	PJ309005201	68	23
MC372000905	58	28	NS6090310SP	34	25	PJ309005203	68	22
MC372001000	10	12	NS6090310SP	110	13	PS0150065KP	6	12
MC372001005	58	29	NS6110310SP	6	27	PV010507000	112	30
MDP170B1400	10	9	NS6110310SP	14	8	PV020501000	112	34
MDP170B1404	58	26	NS6110350SP	12	32	PV1551070A0	68	17
MDP170B1600	10	10	NS6110350SP	14	21	PV1551080A0	68	7
MDP170B1604	58	27	NS6110360SP	44	63	PX500018000	90	55
MTJMG000000	90	67	NS6110420SP	26	24	RC2500001KP	46	2
MTJMS00000S	90	65	NS6110430SP	12	33	RE0200000K0	38	5
MTJMS000060	88	2	NS6110530SP	6	15	RE0200000K0	48	32
NM3034000SF	96	20	NS6120310SP	14	13	RE0250000K0	50	51
NM3034000SF	104	12	NS6150310SP	14	25	RE0400000K0	66	14
NM3034000SF	106	7	NS6150310SP	36	45	RE0600000K0	88	17
NM3040520SF	92	18	NS6150350SP	20	13	RE0700000K0	2	44

NUMERICAL INDEX OF PARTS

PART NO	PAGE	REF NO.	PART NO	PAGE	REF NO.	PART NO	PAGE	REF NO.
RE070000K0	34	8	SL4041081SF	68	42	SM6030802TP	54	56
RE070000K0	84	44	SL4041081SF	76	49	SM6030802TP	74	44
RE120000K0	48	36	SL4041081SF	82	81	SM6030802TP	86	52
SB110000400	52	42	SL4041081SF	92	25	SM6031002TP	40	50
SB115000400	38	13	SL4041091SC	100	16	SM6031002TP	82	70
SD0400191TP	110	4	SL4051091SC	92	14	SM6031002TP	98	33
SD0450403TP	26	13	SM0030601SA	80	45	SM6031202TP	42	8
SD0500091TP	18	17	SM0040601SA	64	32	SM6031402TP	40	56
SD0500404SP	34	22	SM0040601SA	78	38	SM6031402TP	42	31
SD0530221SP	20	30	SM0040601SA	80	17	SM6031502TP	74	14
SD0550271TP	18	18	SM0040601SA	88	43	SM6031502TP	82	76
SD0550303SP	34	26	SM0040601SA	92	3	SM6031602TP	66	22
SD0600322SD	18	19	SM0040601SA	98	26	SM6033052TP	68	10
SD0600341TP	38	6	SM0040601SC	48	2	SM6033052TP	74	37
SD0600401TP	38	11	SM0040601SC	52	3	SM6033052TP	78	35
SD0600651TP	44	60	SM0040601SC	56	17	SM6033052TP	98	24
SD0601021SP	38	12	SM0040801SF	56	8	SM6040602TP	82	52
SD0640241SP	20	15	SM0060801SA	60	27	SM6040602TP	98	18
SD0640321SP	12	34	SM0861201SA	48	22	SM6040802TN	100	17
SD0640321SP	20	36	SM0861201SA	54	66	SM6040802TP	2	35
SD0640326TP	12	35	SM1020801SD	16	15	SM6040802TP	42	22
SD0640602SP	12	36	SM1030801SC	8	5	SM6040802TP	50	70
SD0791271SP	12	9	SM1031401SC	44	53	SM6040802TP	60	41
SK1271301SC	60	21	SM1040601SC	52	13	SM6040802TP	64	21
SK3311301SA	74	41	SM1041201SC	52	12	SM6040802TP	66	26
SK3381301SC	88	19	SM4030601SN	56	25	SM6040802TP	70	43
SK3381301SC	100	10	SM4031851SR	94	63	SM6040802TP	74	27
SK3381601SC	60	30	SM4040801SN	56	28	SM6040802TP	80	72
SK3381601SC	82	62	SM4041001SC	92	28	SM6040802TP	82	72
SL4020881SC	106	14	SM4043601SN	92	17	SM6040802TP	84	35
SL4030681SC	100	18	SM4051001SN	56	15	SM6040802TR	48	13
SL4030881SC	52	5	SM4051405SE	114	18	SM6040802TR	52	34
SL4030881SF	88	38	SM4860501SC	52	8	SM6041002TP	38	39
SL4030881SF	106	9	SM5040601SC	100	5	SM6041002TP	42	25
SL4031081SC	46	29	SM6030402TN	98	9	SM6041002TP	48	56
SL4031081SF	96	25	SM6030602TP	2	48	SM6041002TP	50	56
SL4031081SF	104	11	SM6030602TP	4	48	SM6041002TP	54	54
SL4031281SF	96	17	SM6030602TP	26	8	SM6041002TP	64	29
SL4031291SC	104	10	SM6030602TP	44	61	SM6041002TP	70	34
SL4031481SF	92	33	SM6030602TP	60	7	SM6041202TP	2	30
SL4031481SF	96	11	SM6030602TP	84	48	SM6041202TP	36	65
SL4031681SF	92	31	SM6030602TP	86	48	SM6041202TP	48	69
SL4031891SC	92	10	SM6030802TP	4	52	SM6041202TP	50	69
SL4040691SC	92	44	SM6030802TP	16	12	SM6041202TP	52	38
SL4040691SC	100	3	SM6030802TP	52	56	SM6041202TP	80	34

NUMERICAL INDEX OF PARTS

PART NO	PAGE	REF NO.	PART NO	PAGE	REF NO.	PART NO	PAGE	REF NO.
SM6041202TP	84	30	SM6082002TN	88	39	SS6151142TP	20	31
SM6041202TP	90	59	SM6082502TN	74	23	SS6151220SP	20	38
SM6041402TP	42	30	SM8030402TP	48	39	SS7080510TP	10	2
SM6042002TP	38	26	SM8040402TP	2	27	SS7090410SP	28	13
SM6042002TP	42	44	SM8040402TP	46	30	SS7090410SP	34	37
SM6042502TP	42	10	SM8040402TP	54	51	SS7091480SP	34	20
SM6050802TP	38	37	SM8040402TP	78	40	SS7110410SP	12	41
SM6051202TP	52	53	SM8040402TP	80	10	SS7110410SP	20	48
SM6051202TP	54	53	SM8040402TP	84	27	SS7110410SP	22	48
SM6051202TP	70	50	SM8040402TP	98	30	SS7110510SP	8	4
SM6051202TP	72	50	SM8040402TP	108	10	SS7110510SP	12	8
SM6051202TP	88	49	SM8040602TP	38	33	SS7110510SP	14	5
SM6051202TP	90	49	SM8040602TP	42	19	SS7110710SP	6	31
SM6051602TP	36	74	SM8040602TP	46	22	SS7110840SP	8	3
SM6051602TP	52	41	SM8042502TP	48	11	SS7110840SP	14	2
SM6052002TP	52	31	SM8050502TP	40	59	SS7110840SP	36	54
SM6052502TP	38	15	SM8050502TP	42	43	SS7110910TP	22	46
SM6061002TP	70	31	SM8050602TP	38	8	SS7111410TP	22	50
SM6061002TP	82	59	SM8050602TP	42	2	SS7150740SP	14	14
SM6061002TP	110	9	SM8050602TP	46	36	SS8090610SP	12	30
SM6061202TN	88	9	SM8050602TP	88	15	SS8110520TP	6	6
SM6061202TN	98	8	SM8050612TP	46	12	SS8111610SP	16	7
SM6061202TP	2	20	SM8050812TP	46	16	SS8660610TP	12	18
SM6061202TP	60	35	SM8050842TP	46	31	SS9091010SP	34	9
SM6061202TP	66	9	SM8050842TP	52	44	SS9110543CP	18	22
SM6061202TP	68	24	SM8060802TP	74	35	SS9110543CP	36	68
SM6061202TP	70	46	SM8060812TP	112	13	SS9111013SP	12	42
SM6061202TP	74	20	SM9041050SC	78	29	SS9111020TP	6	18
SM6061202TP	78	8	SM9061003SC	98	3	SS9151120CP	36	70
SM6061202TP	80	48	SM9066503SC	88	5	SS9621413SP	34	14
SM6061202TP	82	48	SM9082003SC	88	32	SS9661230CP	20	33
SM6061202TP	84	20	SS4080610SP	26	19	TA0800504R0	92	22
SM6061202TP	112	15	SS4090415SP	20	16	TA0800504R0	106	18
SM6061602TP	2	24	SS4091015SP	6	28	WP0280500SC	52	9
SM6061602TP	48	33	SS4110515SP	20	17	WP0320500SC	40	58
SM6061602TP	70	28	SS4110815SP	56	3	WP0320500SC	54	58
SM6061602TP	84	24	SS4120915SP	12	38	WP0320500SC	56	24
SM6062002TP	46	33	SS5060310SP	12	11	WP0320501SC	2	54
SM6062002TP	70	52	SS6080810SP	26	25	WP0320501SC	4	54
SM6062002TP	72	52	SS6090520SP	18	21	WP0320501SC	16	14
SM6062002TP	74	6	SS6110610TP	14	23	WP0320501SC	26	27
SM6063002TP	38	18	SS6111140SP	20	18	WP0320501SC	40	52
SM6082002TN	2	15	SS6111620SP	26	21	WP0320501SC	60	9
SM6082002TN	60	15	SS6120620TP	14	27	WP0320501SC	66	24
SM6082002TN	84	15	SS6121050SP	12	39	WP0320501SC	68	12

NUMERICAL INDEX OF PARTS

PART NO	PAGE	REF NO.	PART NO	PAGE	REF NO.	PART NO	PAGE	REF NO.
WP0320501SC	74	46	WP0641600SC	48	35	WS0310002KN	84	53
WP0320501SC	76	46	WP0641600SC	56	6	WS0310002KN	86	53
WP0320501SC	82	78	WP0641601SC	2	26	WS0310002KN	98	34
WP0320501SC	84	54	WP0641601SC	60	37	WS0310702KS	94	64
WP0320501SC	86	54	WP0641601SC	66	11	WS0410002KN	2	36
WP0320501SC	98	35	WP0641601SC	68	26	WS0410002KN	36	73
WP0430800SC	38	41	WP0641601SC	70	48	WS0410002KN	38	40
WP0430800SC	42	45	WP0641601SC	72	48	WS0410002KN	42	57
WP0430800SC	48	72	WP0641601SC	74	22	WS0410002KN	44	57
WP0430800SC	50	72	WP0641601SC	78	14	WS0410002KN	48	74
WP0430800SC	52	36	WP0641601SC	80	61	WS0410002KN	50	74
WP0430800SC	56	13	WP0641601SC	82	61	WS0410002KN	52	35
WP0430800SC	64	30	WP0641601SC	84	26	WS0410002KN	60	42
WP0430801SC	2	37	WP0641601SC	88	72	WS0410002KN	64	34
WP0430801SC	44	56	WP0641601SC	90	72	WS0410002KN	66	27
WP0430801SC	60	43	WP0641601SC	98	14	WS0410002KN	70	44
WP0430801SC	64	23	WP0641601SC	110	11	WS0410002KN	74	42
WP0430801SC	66	28	WP0641601SC	112	17	WS0410002KN	78	30
WP0430801SC	70	45	WP0651056SH	6	5	WS0410002KN	80	73
WP0430801SC	74	43	WP0651056SH	20	37	WS0410002KN	82	73
WP0430801SC	78	31	WP0702026SP	20	21	WS0410002KN	84	36
WP0430801SC	80	74	WP0841601SC	2	40	WS0410002KN	88	20
WP0430801SC	82	74	WP0841601SC	56	31	WS0410002KN	98	29
WP0430801SC	84	37	WP0841601SC	60	17	WS0410002KN	110	5
WP0430801SC	88	61	WP0841601SC	74	25	WS0451040KP	26	22
WP0430801SC	90	61	WP0841601SC	80	8	WS0510002KN	36	75
WP0430801SC	98	19	WP0841601SC	84	40	WS0510002KN	38	16
WP0450000SD	18	23	WP0841601SC	88	52	WS0510002KN	88	50
WP0450801SD	56	29	WP0841601SC	90	52	WS0510002KN	90	50
WP0450801SD	68	43	WP0841601SC	108	13	WS0510002KS	42	14
WP0451026SD	26	23	WP0841601SC	112	23	WS0610002KN	2	25
WP0451026SH	26	12	WP0850002SP	88	3	WS0610002KN	40	54
WP0482086SD	20	19	WP1612616SE	114	15	WS0610002KN	46	34
WP0501016SD	20	20	WS0310002KN	2	53	WS0610002KN	48	34
WP0501016SD	34	69	WS0310002KN	4	53	WS0610002KN	56	7
WP0501016SD	36	69	WS0310002KN	16	13	WS0610002KN	60	36
WP0531000SC	56	30	WS0310002KN	26	26	WS0610002KN	66	10
WP0531001SC	88	51	WS0310002KN	40	57	WS0610002KN	68	25
WP0531001SC	90	51	WS0310002KN	44	47	WS0610002KN	70	47
WP0551626SD	14	3	WS0310002KN	54	57	WS0610002KN	72	47
WP0611626SP	20	41	WS0310002KN	60	8	WS0610002KN	74	21
WP0612516SD	36	63	WS0310002KN	66	23	WS0610002KN	78	13
WP0621016SH	72	51	WS0310002KN	68	11	WS0610002KN	80	60
WP0621026SP	12	6	WS0310002KN	74	45	WS0610002KN	82	60
WP0641600SC	46	35	WS0310002KN	82	77	WS0610002KN	84	25

NUMERICAL INDEX OF PARTS

PART NO	PAGE	REF NO.
WS0610002KN	88	47
WS0610002KN	90	47
WS0610002KN	98	13
WS0610002KN	110	10
WS0610002KN	112	16
WS0820002KN	2	39
WS0820002KN	60	16
WS0820002KN	74	24
WS0820002KN	80	7
WS0820002KN	84	39
WS0820002KN	88	40
WS0820002KN	108	12
WS0820002KN	112	22
WT0320001KN	106	20
WT0430001KN	76	50
WT0430001KN	92	23
WT0640001KN	88	11
WZ0641510KP	20	22