

MODEL : LK-1851-555/BR20

List No : 0611-07

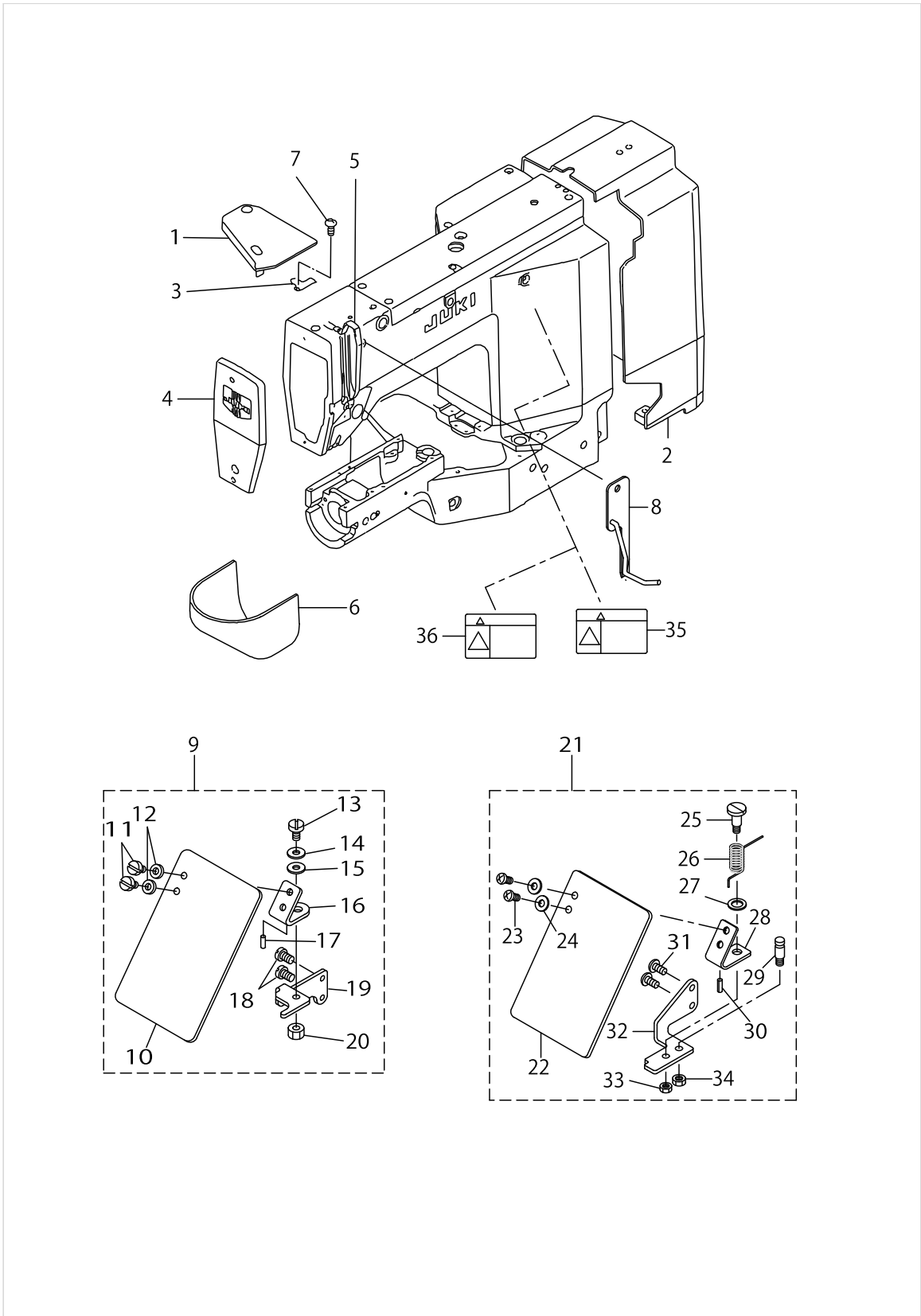
PARTS LIST

Published:05/12/2017

CONTENTS

FRAME & MISCELLANEOUS COVER COMPONENTS (1)	1
FRAME & MISCELLANEOUS COVER COMPONENTS (2)	3
FRAME & MISCELLANEOUS COVER COMPONENTS (3)	5
NEEDLE BAR COMPONENTS	7
THREAD TENSION RELEASE COMPONENTS.....	9
THREAD TENSION COMPONENTS	11
MAIN SHAFT & SHUTTLE DRIVER SHAFT COMPONENTS	13
FEED MECHANISM COMPONENTS.....	15
KNOTTING COMPONENTS.....	19
STOP-MOTION MECHANISM COMPONENTS	21
BUTTON CLAMP COMPONENTS (Z165 ATTACHMENTS FOR SMALL BUTTONS).....	23
BUTTON CLAMP COMPONENTS (Z166 ATTACHMENT FOR MEDIUM-SIZED BUTTONS).....	27
LUBRICATION MECHANISM COMPONENTS.....	29
LK-1851 SERIES SUBCLASSES	31
FINE POSITION OF BUTTONS COMPONENTS (1).....	33
FINE POSITION OF BUTTONS COMPONENTS (2).....	37
DRIVE CAM COMPONENTS.....	41
INDEX COMPONENTS (1)	43
INDEX COMPONENTS (2)	47
FEEDER BALL COMPONENTS	51
TABLE & COVER COMPONENTS	53
CONTROL BOX COMPONENTS (FOR DOMESTIC USE AND GENERAL EXPORT)	59
CONTROL BOX COMPONENTS (FOR JE).....	63
POWER SUPPLY CORD COMPONENTS.....	67
BUTTON CLAMP MECHANISM COMPONENTS	69
SELECTIVE PARTS	71
ACCESSORIES COMPONENTS.....	72
SPECIAL ORDER PARTS COMPONENTS.....	74
HOW TO MAKE USE OF THIS PARTS LIST	76

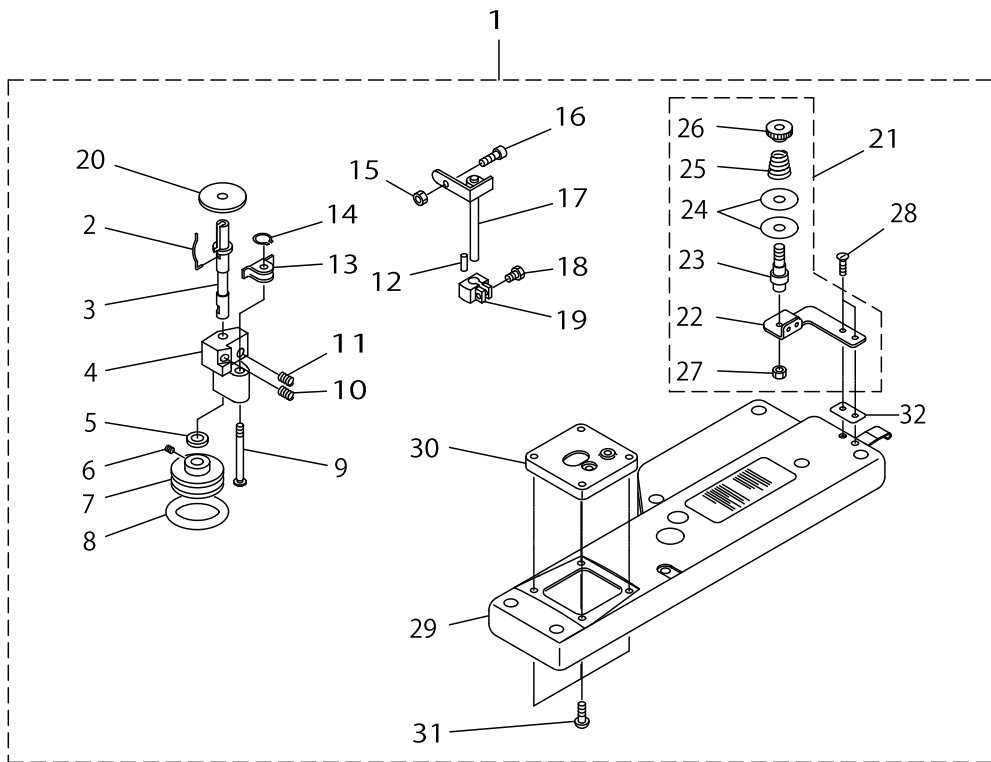
FRAME & MISCELLANEOUS COVER COMPONENTS (1)



FRAME & MISCELLANEOUS COVER COMPONENTS (1)

No.	Supply Code	Parts No.	Replacement	Parts name	Remarks	Choice	Step	Level	Cons	Qty	Rep. QTY
1		13805106		BED COVER B						1	
2		13805205		BELT COVER						1	
3	D	13805304		STOPPER						1	
4	R	13816756	26211755	FACE COVER ASM.						1	1.00
5	R	13816608	26211607	BALANCE COVER						1	1.00
6	R	13816855	40142674	CYLINDER ARM CAP						1	1.00
7	R	SS7110910SP	SS7110910TP	SCREW 11/64-40 L=8.5						1	1.00
8	D	MAZ165360A0		THREAD GUIDE PLATE ASM.						1	
9	D	B31012800A0		SAFTY PLATE ASM.						1	
10	R	B3120372000	26037200	SAFETY PLATE				*		1	1.00
11		SS4110715SP		SCREW 11/64-40 L=7				*		2	
12		WP0450801SD		WASHER 4.5X10X0.8				*		2	
13		SD0600401SD		HINGE SCREW D= 6 H= 4				*		1	
14		B3125155000		DISK SPRING				*		1	
15		WP0650876SD		WASHER 6.5X13X0.8				*		1	
16		B3121980000		SAFETY PLATE INS-TALLING PLATE				*		1	
17		B3123372000		STOPPER PIN				*		1	
18		SS4110715SP		SCREW 11/64-40 L=7				*		2	
19	D	B3101280000		SAFETY PLATE MOUNTING BASE				*		1	
20		NS6620310SP		NUT 3/16-32				*		1	
21	R	13551254	40052806	SAFETY PLATE ASM.	FOR JE A-ND DOMESTIC USE					1	1.00
22	R	B3120372000	26037200	SAFETY PLATE				*		1	1.00
23		SS4110715SP		SCREW 11/64-40 L=7				*		2	
24		WP0450801SD		WASHER 4.5X10X0.8				*		2	
25		SD0601021SP		HINGE SCREW D=6 H=10.2				*		1	
26		13943204		SAFETY PLATE RETURN SPRING				*		1	
27		WP0740516SP		WASHER 7.4X11.8X0.5				*		1	
28	R	B3121372000	26037309	SAFETY PLATE INS-TALLING PLATE				*		1	1.00
29	R	B1506352000	26226407	TENSION SPRING RACK B				*		1	1.00
30		PS0200062KH		SPRING PIN 2X6				*		1	
31		SS4110715SP		SCREW 11/64-40 L=7				*		2	
32	R	13551205	26235705	SAFETY PLATE INSTALLING BASE				*		1	1.00
33		NS6110310SP		NUT 11/64-40				*		1	
34		NS6120310SP		NUT 3/16-28				*		1	
35		CM300200102		SAFETY LABEL, 1 (LARGE).	FOR DOME-STIC USE					1	
36	D	CM3002001A2		SAFETY LABEL.,3 (LARGE).	FOR EXPO-RT (EXCEPT JE)					1	

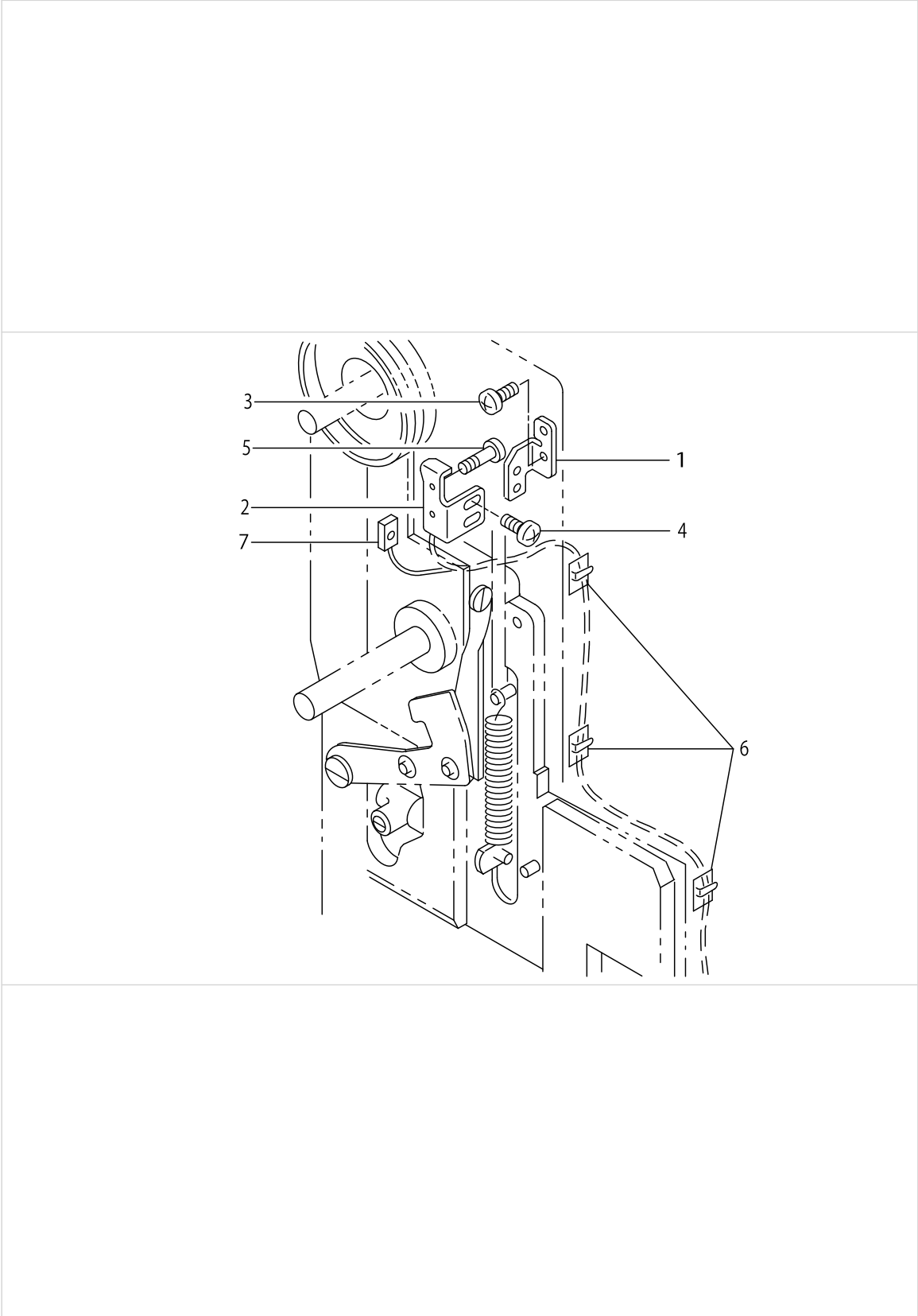
FRAME & MISCELLANEOUS COVER COMPONENTS (2)



FRAME & MISCELLANEOUS COVER COMPONENTS (2)

No.	Supply Code	Parts No.	Replacement	Parts name	Remarks	Choice	Step	Level	Cons	Qty	Rep. QTY
1	D	MAZ165230A0		ARM COVER ASM.						1	
2		B3212761000		LATCH SPRING				*		1	
3		B3204210000		SPINDLE				*		1	
4		B3210210000		BOBBIN WINDER BASE				*		1	
5		WP0651056SH		WASHER 6.5X11X1				*		1	
6		SS8110520TP		SCREW 11/64-40 L= 4.5				*		2	
7		B3211210000		BOBBIN WINDER WHEEL				*		1	
8		B3212210000		FRICTION WHEEL				*		1	
9		B3206210000		SCREW STUD				*		1	
10		B3209210000		SPRING B				*		1	
11		B3208210000		SPRING A				*		1	
12		PS0150065KP		SPRING PIN 1.5X6				*		1	
13		B3207210000		TRIP LATCH				*		1	
14		D2430555B00		SNAP RING				*		1	
15		NS6110530SP		NUT 11/64-40				*		1	
16		B3208280000		BOBBIN WINDER A-DJUSTING SCREW				*		1	
17		B32012100A0		STOP LATCH ASM.				*		1	
18		SS9111020TP		SCREW 11/64-40L=10				*		1	
19		B3203210000		CAM				*		1	
20		B3205210000		CUSHION				*		1	
21	D	MAZ165250A0		THREAD GUIDE BASE ASM.				*		1	
22	R	MAZ16525000	MAZ165250A0	BOBBIN WINDER TENSION BRACKET				*		1	1.00
23		B3219232000		BOBBIN WINDER TENSION POST				*		1	
24	R	B3214047000	22945802	BOBBIN WINDER TENSION DISC				*		2	1.00
25		B3218232000		BOBBIN WINDER TENSION SPRING				*		1	
26		B3216047000		BOBBIN WINDER TENSION NUT				*		1	
27		NS6110310SP		NUT 11/64-40				*		1	
28		SS4091015SP		SCREW 9/64-40 L=10				*		2	
29	D	MAZ16523000		ARM COVER				*		1	
30		MAZ16524000		BOBBIN WINDER BASE				*		1	
31		SS7110710SP		SCREW 11/64-40 L=7				*		4	
32	D	MAZ16538000		BRACKET SPACER				*		1	

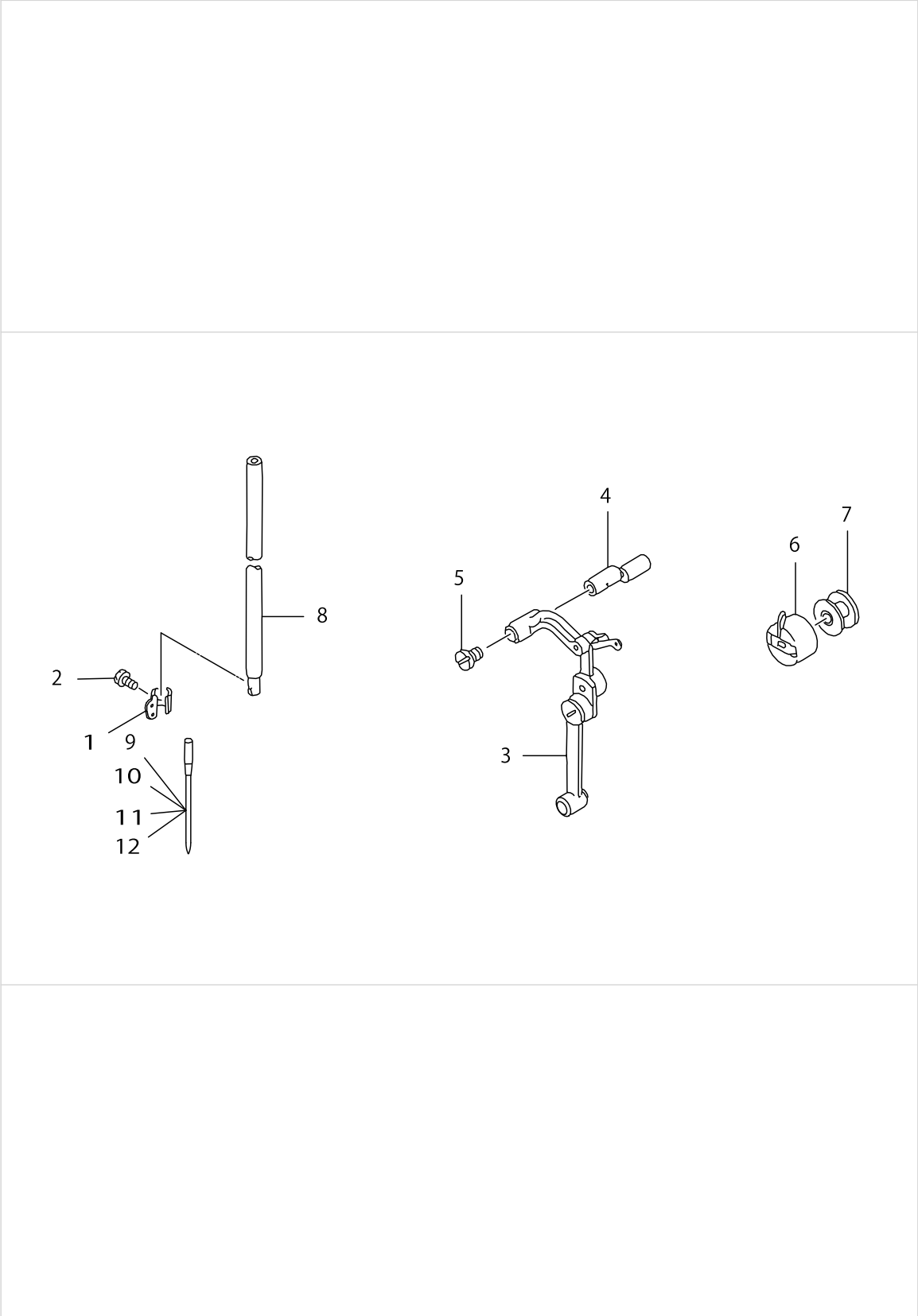
FRAME & MISCELLANEOUS COVER COMPONENTS (3)



FRAME & MISCELLANEOUS COVER COMPONENTS (3)

No.	Supply Code	Parts No.	Replacement	Parts name	Remarks	Choice	Step	Level	Cons	Qty	Rep. QTY
1	D	MAZ16534000		SENSOR MOUNT BASE						1	
2	D	MAZ16533000		SENSOR MOUNT PLATE						1	
3		SS7110840SP		SCREW 11/64-40 L=7.8						1	
4		SS7110510SP		SCREW 11/64-40 L=5						2	
5		SM1030801SC		SCREW M3 L=8						1	
6	D	HX003330000		CORD CLAMP						3	
7	D	GBR208910A0		L-SW CABLE ASM.						1	

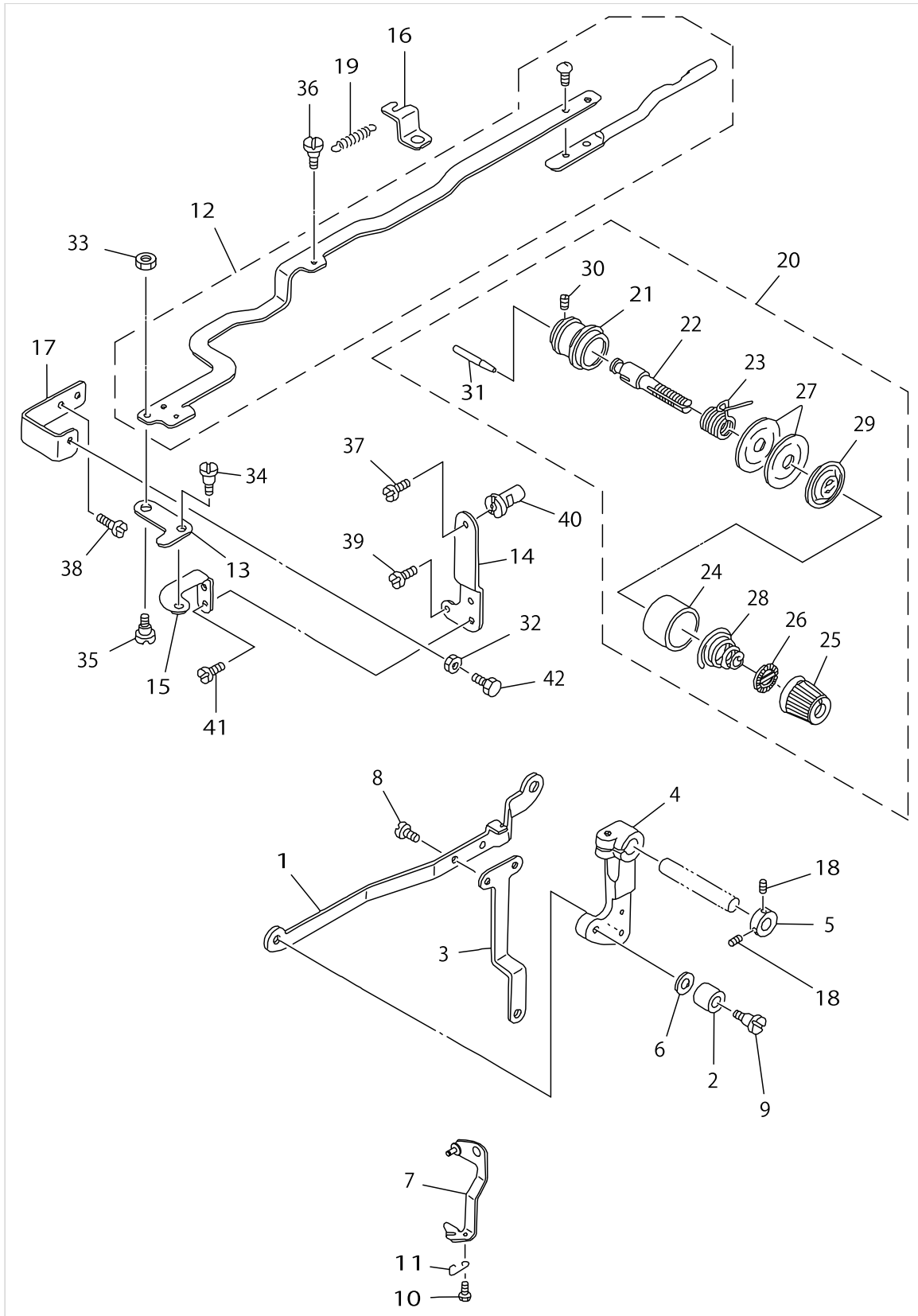
NEEDLE BAR COMPONENTS



NEEDLE BAR COMPONENTS

No.	Supply Code	Parts No.	Replacement	Parts name	Remarks	Choice	Step	Level	Cons	Qty	Rep. QTY
1		D1405M7WF00		NEEDLE BAR THREAD GUIDE						1	
2		SS7080510TP		SCREW 1/8-44 L=4.5						1	
3		D1901L7VVB0		THREAD TAKE-UP LEVER ASM.						1	
4		D1904L7VV00		LINK TAKE-UP LEVER PIN, HEAVY						1	
5		D1906L7VV00		SET SCREW						1	
6		B18289800BB		BOBBIN CASE ASM. (RACING PREVE						1	
7		13812102		BOBBIN						1	
8	D	D1401L7VV00		NEEDLE BAR						1	
9		MDP170B1400		NEEDLE DPX17 #14						1	
10		MDP170B1600		NEEDLE DPX17 #16	SELECTIVE PARTS *ALL PARTS OTHER THAN ABOVE ARE 上記以外の部品は、LK-1850と共通です。 SELECTIVE PARTS *ALL PARTS OTHER THAN ABOVE ARE 上記以外の部品は、LK-1850と共通です。					1	
11	D	MC372000900		NEEDLE 135X17 #90	SELECTIVE PARTS *ALL PARTS OTHER THAN ABOVE ARE 上記以外の部品は、LK-1850と共通です。 SELECTIVE PARTS *ALL PARTS OTHER THAN ABOVE ARE 上記以外の部品は、LK-1850と共通です。					1	
12	D	MC372001000		NEEDLE SY3355 100	SELECTIVE PARTS *ALL PARTS OTHER THAN ABOVE ARE 上記以外の部品は、LK-1850と共通です。					1	

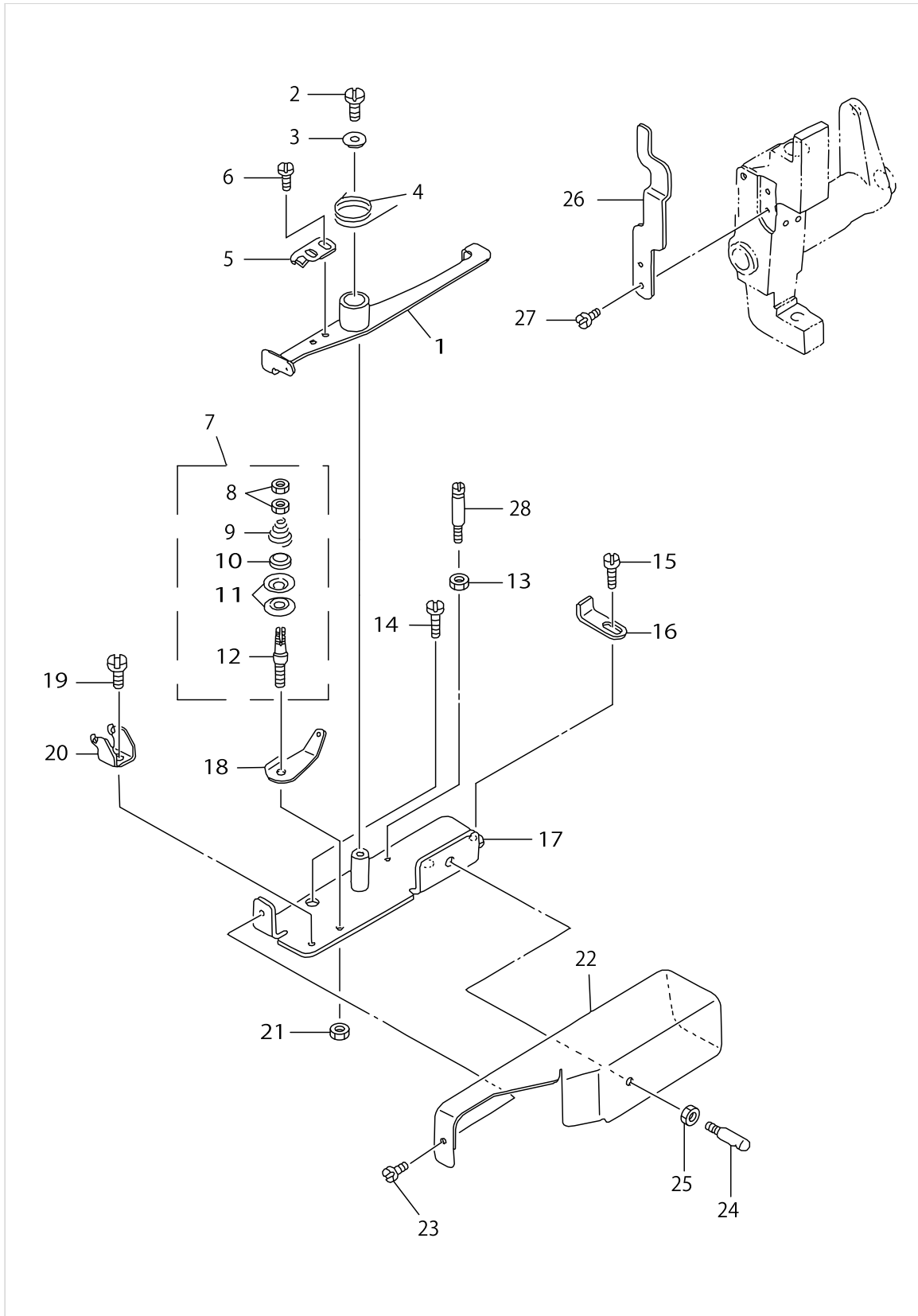
THREAD TENSION RELEASE COMPONENTS



THREAD TENSION RELEASE COMPONENTS

No.	Supply Code	Parts No.	Replacement	Parts name	Remarks	Choice	Step	Level	Cons	Qty	Rep. QTY
1		13805601		CONNECTING SHAFT						1	
2	D	13805700		CAM ROLL						1	
3	D	13805809		MOVING PLATE						1	
4		13541305		CONNECTING ARM						1	
5		CS1001011SH		THRUST COLLAR						1	
6		WP0621026SP		WASHER 6.2X9.5X1						1	
7	D	MAZ165390A0		WIPER ASM.						1	
8		SS7110510SP		SCREW 11/64-40 L=5						2	
9		SD0791271SP		HINGE SCREW D= 7.94 H=12.7						1	
10	D	13806005		SPRING						1	
11		SS5060310SP		SCREW 3/32-56 L=2.8						1	
12		13807052		CONNECTING SHAFT ASM.						1	
13		13807102		MOVING LINK						1	
14		13807201		MOUNTING PLATE						1	
15		13807300		MOUNTING BASE						1	
16		13807409		SPRING HOOK						1	
17		13807508		MOVING PLATE						1	
18		SS8660610TP		SCREW 1/4-40 L=6						2	
19		10519205		SPRING						1	
20		13817457		THREAD TENSION NO.2 CONNEC.						1	
21		B2313280000		THREAD TENSION ROD, LARGE				*		1	
22	R	B2303220000	B23042200A0	TENSION RELEASE ARM BOSS				*		1	1.00
23		B3112761000		THREAD TAKE-UP SPRING				*		1	
24		B3107804000		THREAD TENSION DISK PRESSER				*		1	
25		13817408		THREAD TENSION NUT				*		1	
26		B3120125000		ROTATING STOPPER				*		1	
27	R	B3126012000	22921506	THREAD TENSION DISK				*		2	1.00
28		B3114232000		THREAD TENSION SPRING				*		1	
29		B3132552000		THREAD TENSION DISK PRESSER				*		1	
30		SS8090610SP		SCREW 9/64-40 L=5.9				*		1	
31		B2303280000		TENSION RELEASE PIN				*		1	
32		NS6110350SP		NUT 11/64-40						1	
33		NS6110430SP		NUT 11/64-40						1	
34		SD0640321SP		HINGE SCREW D= 6.35 H= 3.2						1	
35		SD0640326TP		HINGE SCREW						1	
36		SD0640602SP		HINGE SCREW D= 6.35 H= 6.0						1	
37		SS4120915SP		SCREW 3/16-28 L=9						1	
38		SS4120915SP		SCREW 3/16-28 L=9						2	
39		SS6121050SP		SCREW 3/16-28 L=9.5						1	
40		13807904		THREAD TRIMMER ARM SHAFT						1	
41		SS7110410SP		SCREW 11/64-40 L=4						2	
42	R	SS9111013SP	SS9111010SP	SCREW 11/64-40 L=9.5						1	1.00

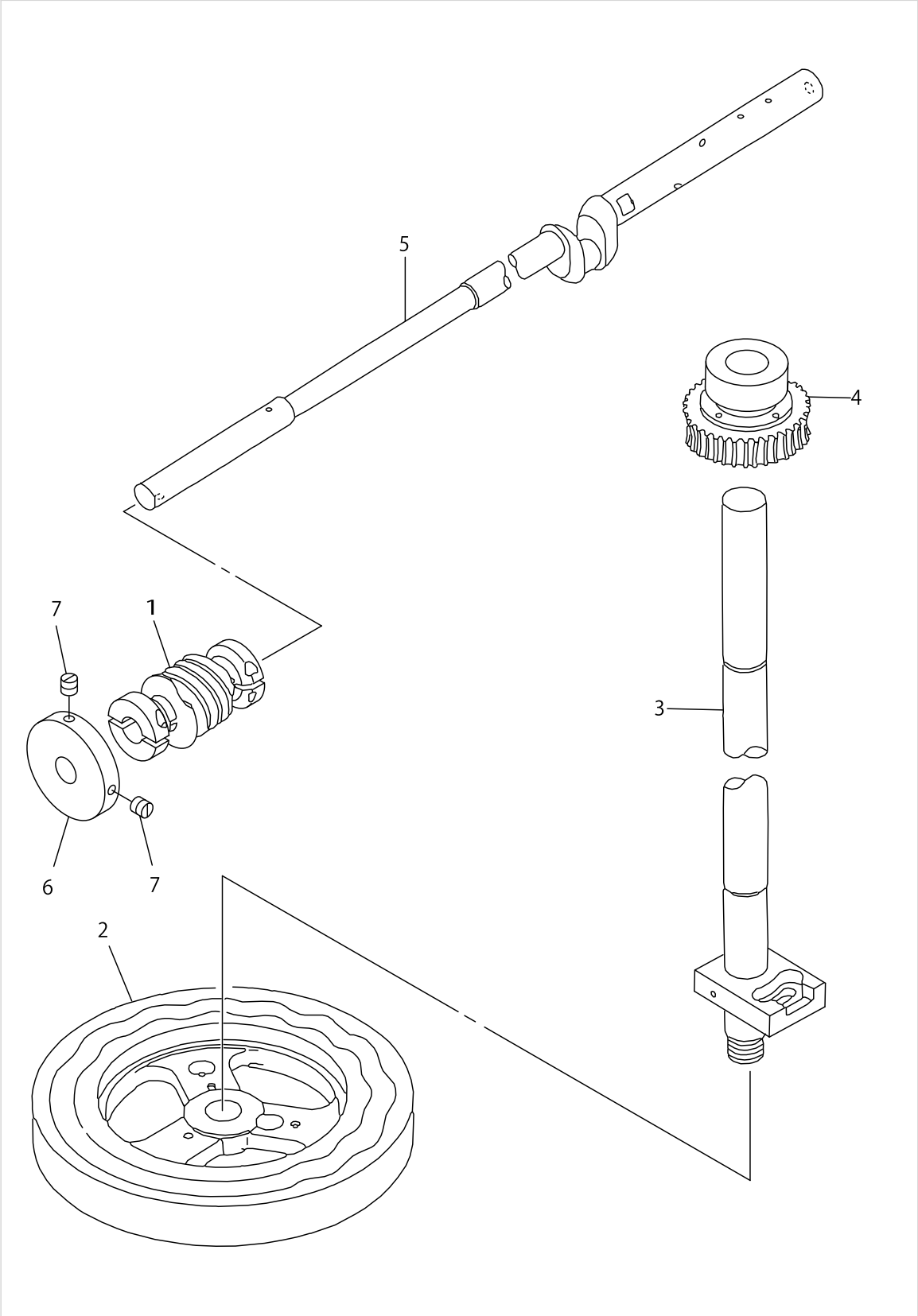
THREAD TENSION COMPONENTS



THREAD TENSION COMPONENTS

No.	Supply Code	Parts No.	Replacement	Parts name	Remarks	Choice	Step	Level	Cons	Qty	Rep. QTY
1		13808159		THREAD TENSION LEVER ASM.						1	
2		SS7110840SP		SCREW 11/64-40 L=7.8						1	
3		WP0551626SD		WASHER 5.5X22.0X1.6						1	
4		13809009		SPRING						1	
5		13808704		TENSION RELEASING LEVER						1	
6		SS7110510SP		SCREW 11/64-40 L=5						2	
7		13809157		THREAD TENSION ASM.						1	
8		NS6110310SP		NUT 11/64-40				*		2	
9		B3218232000		BOBBIN WINDER TENSION SPRING				*		1	
10	D	13808001		THREAD TENSION ROLLER				*		1	
11	R	B3214047000	22945802	BOBBIN WINDER TENSION DISC				*		2	1.00
12		B2351180000		STUD				*		1	
13		NS6120310SP		NUT 3/16-28						1	
14		SS7150740SP		SCREW 15/64-28 L=7						2	
15		SS6110610TP		SCREW 11/64-40 L=6						1	
16	D	13808506		THREAD TENSION STOPPER						1	
17	D	13808852		THREAD TENSION BASE ASM.						1	
18		D3162555B00		THREAD GUIDE						1	
19		SS6110610TP		SCREW 11/64-40 L=6						1	
20	D	13808407		THREAD TENSION GUIDE						1	
21		NS6110350SP		NUT 11/64-40						1	
22		13808902		THREAD TENSION COVER						1	
23		SS6110610TP		SCREW 11/64-40 L=6						1	
24	R	B1123280000	26212001	FIRST THREAD GUIDE						1	1.00
25		NS6150310SP		NUT 15/64-28						1	
26		13808308		THREAD TENSION ARM						1	
27		SS6120620TP		SCREW						2	
28		13737507		SUSPENSION SCREW B						1	

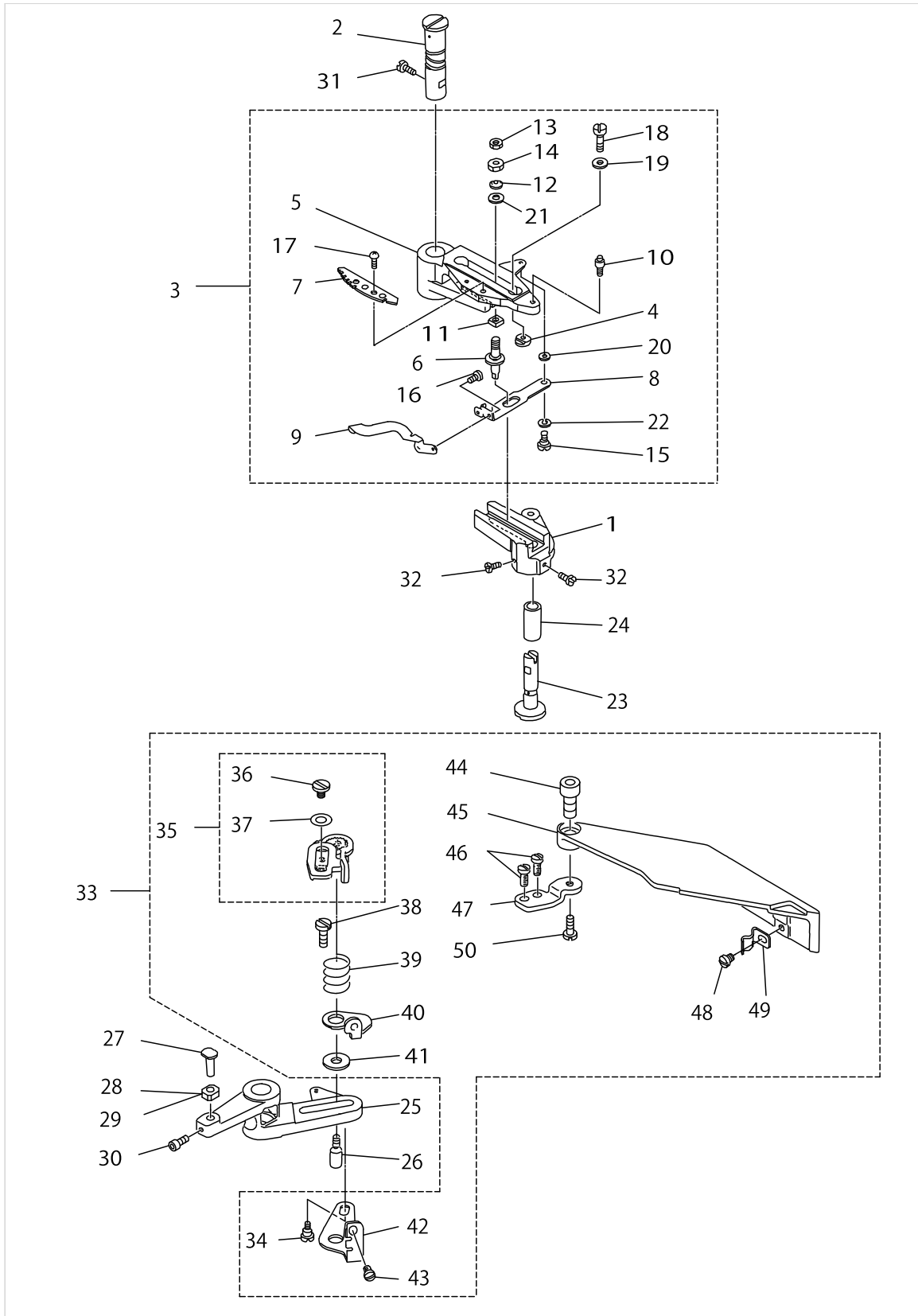
MAIN SHAFT & SHUTTLE DRIVER SHAFT COMPONENTS



MAIN SHAFT & SHUTTLE DRIVER SHAFT COMPONENTS

No.	Supply Code	Parts No.	Replacement	Parts name	Remarks	Choice	Step	Level	Cons	Qty	Rep. QTY
1	R	13806203	13806252	WORM 18 STITCHES						1	1.00
2		13806302		FEED CAM 18 STITCHES						1	
3	D	13806450		CAM SHAFT ASM.						1	
4		13806559		WORM WHEEL 18 STITCHES						1	
5		13806104		MAIN SHAFT						1	
6	D	B3213210000		BOBBIN WINDER DRIVING WHEEL						1	
7		SS8111610SP		SCREW 11/64-40 L=15.5						2	

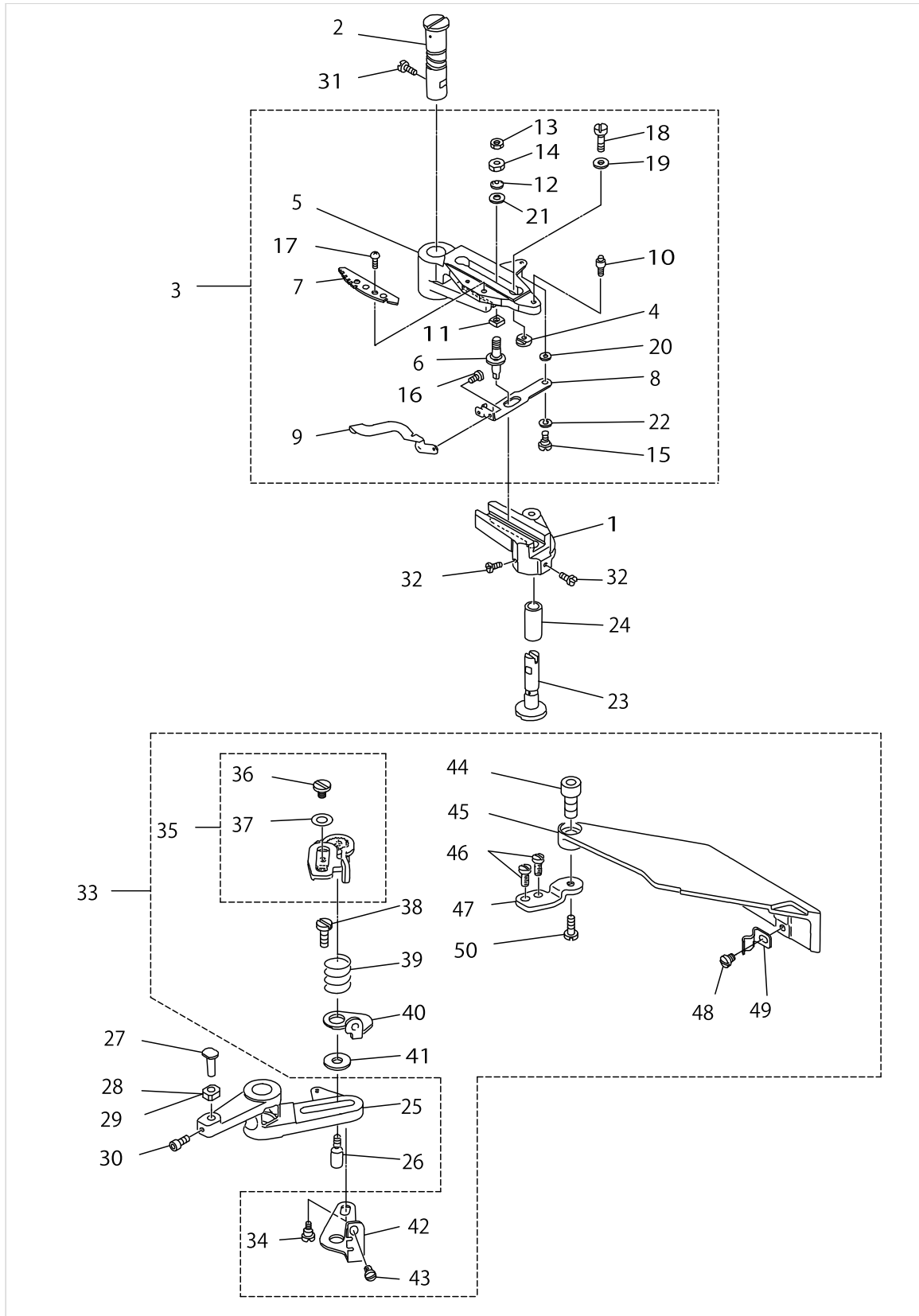
FEED MECHANISM COMPONENTS



FEED MECHANISM COMPONENTS

No.	Supply Code	Parts No.	Replacement	Parts name	Remarks	Choice	Step	Level	Cons	Qty	Rep. QTY
1		13809306		LENGTHWISE FEED ARM						1	
2		13809405		LENGTHWISE FEED SHAFT						1	
3	D	13809553		LENGTHWISE FEED LEVER ASM.						1	
4		13809207		LENGTHWISE STOPPER				*		1	
5		13809504		LENGTHWISE FEED LEVER				*		1	
6		13809801		LENGTHWISE FEED REGULATOR STUD				*		1	
7		13809900		ADJUSTING GRADUATE PLATE				*		1	
8		13810007		LENGTHWISE ADJUSTING LEVER A				*		1	
9		13810106		LENGTHWISE ADJUSTING LEVER B				*		1	
10	R	13517404	26223503	HINGE STUD				*		1	1.00
11	D	B1663804000		SLIDE BLOCK				*		1	
12		B3125155000		DISK SPRING				*		1	
13		NS6150350SP		NUT 15/64-28				*		1	
14		NS6150440SP		NUT 15/64-28				*		1	
15		SD0640241SP		HINGE SCREW D= 6.35 H= 2.4				*		1	
16		SS4090415SP		SCREW 9/64-40 L=4				*		2	
17		SS4110515SP		SCREW 11/64-40 L=5				*		2	
18		SS6111140SP		SCREW 11/64-40 L=11				*		1	
19		WP0482086SD		WASHER 4.8X11.5X2				*		1	
20		WP0501016SD		WASHER 5X10.5X1				*		1	
21		WP0702026SP		WASHER 7X15X2				*		1	
22		WZ0641510KP		WAVED WASHER 6.4X11X0.3				*		1	
23		13809603		LENGTHWISE FEED LEVER SHAFT						1	
24		13809702		LENGTHWISE FEED BUSH						1	
25		13810205		CROSSWISE FEED ARM						1	
26	R	13516505	26222901	FEED REGULATOR STUD						1	1.00
27	R	13517206	26223305	SLIDE BLOCK STUD						1	1.00
28		B141423200A		CRANK SLIDE BLOCK	SELECTIVE PARTS *ALL PARTS OTHER THAN ABOVE ARE 上記以外の部品は、LK-1850と共通です。					1	
29		B1414232000		SQUARE BLOCK						1	
30		SS6151142TP		SCREW 15/64-28 L=10.5						1	
31		SS6151220SP		SCREW 15/64-28 L=11.5						1	
32		SS9661230CP		SCREW 1/4-40 L=12						2	
33		MAZ165300A0		FEED ACROSS ADJUSTMENT ASM.						1	
34		SD0530221SP		HINGE SCREW D= 5.3 H= 2.2				*		1	
35		GAF010020B0		FIXED LEVER PLATE ASM.				*		1	
36		SD0640321SP		HINGE SCREW D= 6.35 H= 3.2				*		1	
37		WP0651056SH		WASHER 6.5X11X1				*		1	
38		SS6151220SP		SCREW 15/64-28 L=11.5				*		1	
39		GAF01007000		SPRING				*		1	
40		GAF01009000		PLATE				*		1	

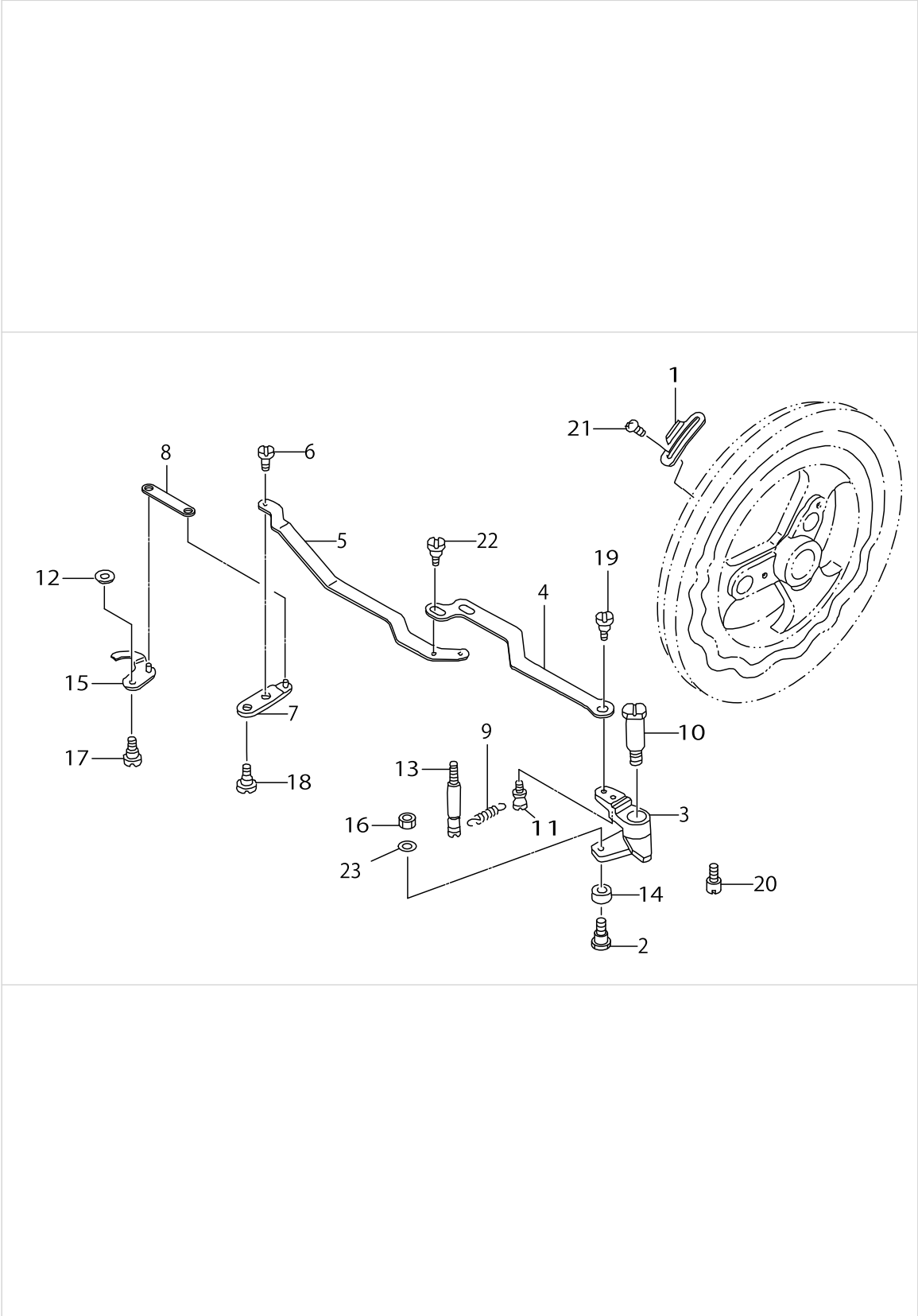
FEED MECHANISM COMPONENTS



FEED MECHANISM COMPONENTS

No.	Supply Code	Parts No.	Replacement	Parts name	Remarks	Choice	Step	Level	Cons	Qty	Rep. QTY
41		WP0611626SP		WASHER 15X6X1.6				*		1	
42		MAZ16530000		LEVER				*		1	
43		SS7110410SP		SCREW 11/64-40 L=4				*		1	
44		MAZ16531000		BED COVER A PICK-UP				*		1	
45		MAZ16535000		BED COVER A				*		1	
46		SS7110910TP		SCREW 11/64-40 L= 8.5				*		2	
47		GAF01012000		BED COVER INSTALLING PLATE				*		1	
48		SS7110410SP		SCREW 11/64-40 L=4				*		1	
49	D	MAZ16532000		SPRING FOR BED COVER (A)				*		1	
50		SS7111410TP		SCREW11/64-40L=14				*		1	

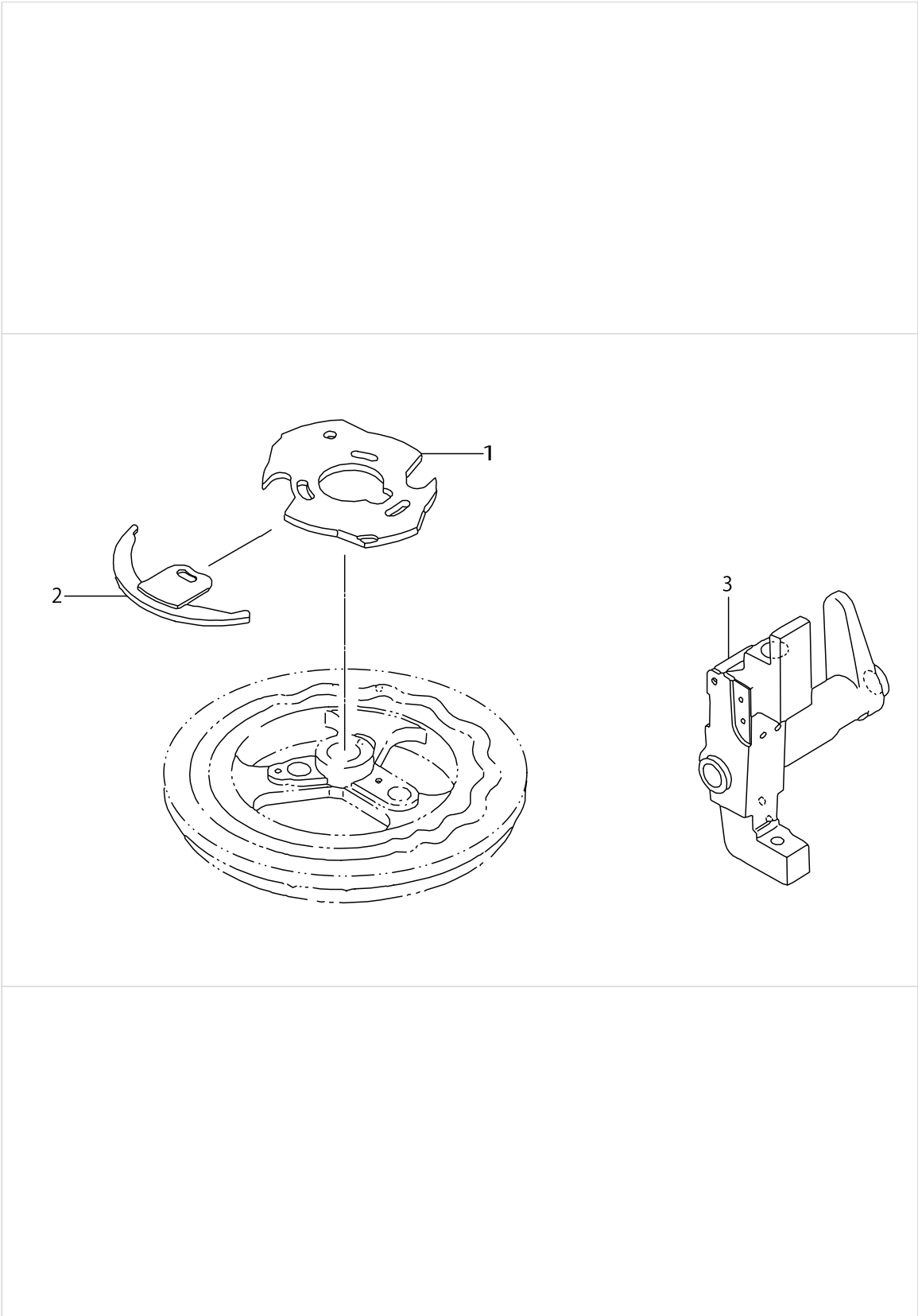
KNOTTING COMPONENTS



KNOTTING COMPONENTS

No.	Supply Code	Parts No.	Replacement	Parts name	Remarks	Choice	Step	Level	Cons	Qty	Rep. QTY
1	D	13812508		NOTCH 18 STITCHES						1	
2	D	13812607		BEARING						1	
3		13812706		MOVING ARM						1	
4		13812805		CONNECTING SHAFT						1	
5	D	13812904		CONNECTING PLATE						1	
6		13813001		CONNECTING PLATE BOSS						1	
7		13813159		KNOT THE THREAD LEVER ASM.						1	
8	D	13813209		KNOT THE THREAD LINK						1	
9		13813308		SPRING						1	
10	D	13813407		MOVING SHAFT						1	
11	R	B1110280000	26017400	THREAD CUTTING LINK SPRING RAC						1	1.00
12		B242328000D		MOVING KNIFE WASHER D						1	
13		B3518352000		OIL DRAIN SCREW						1	
14		D2427555B00B		CAM ROLLER						1	
15		D2713M1YCA0		KNOT TYING PLATE ASM.						1	
16		NS6090310SP		NUT 9/64-40						1	
17		SD0500091TP		HINGE SCREW D= 5.0 H= 0.9						1	
18		SD0550271TP		HINGE SCREW D= 5.50 H= 2.7						1	
19		SD0600322SD		HINGE SCREW D=6 H=3.2						1	
20	D	13813506		STOPPER						1	
21		SS6090520SP		SCREW 9/64-40 L=5.0						2	
22		SS9110543CP		SCREW 11/64-40 L=5.3						2	
23		WP0450000SD		WASHER 4.5X8X0.5						1	

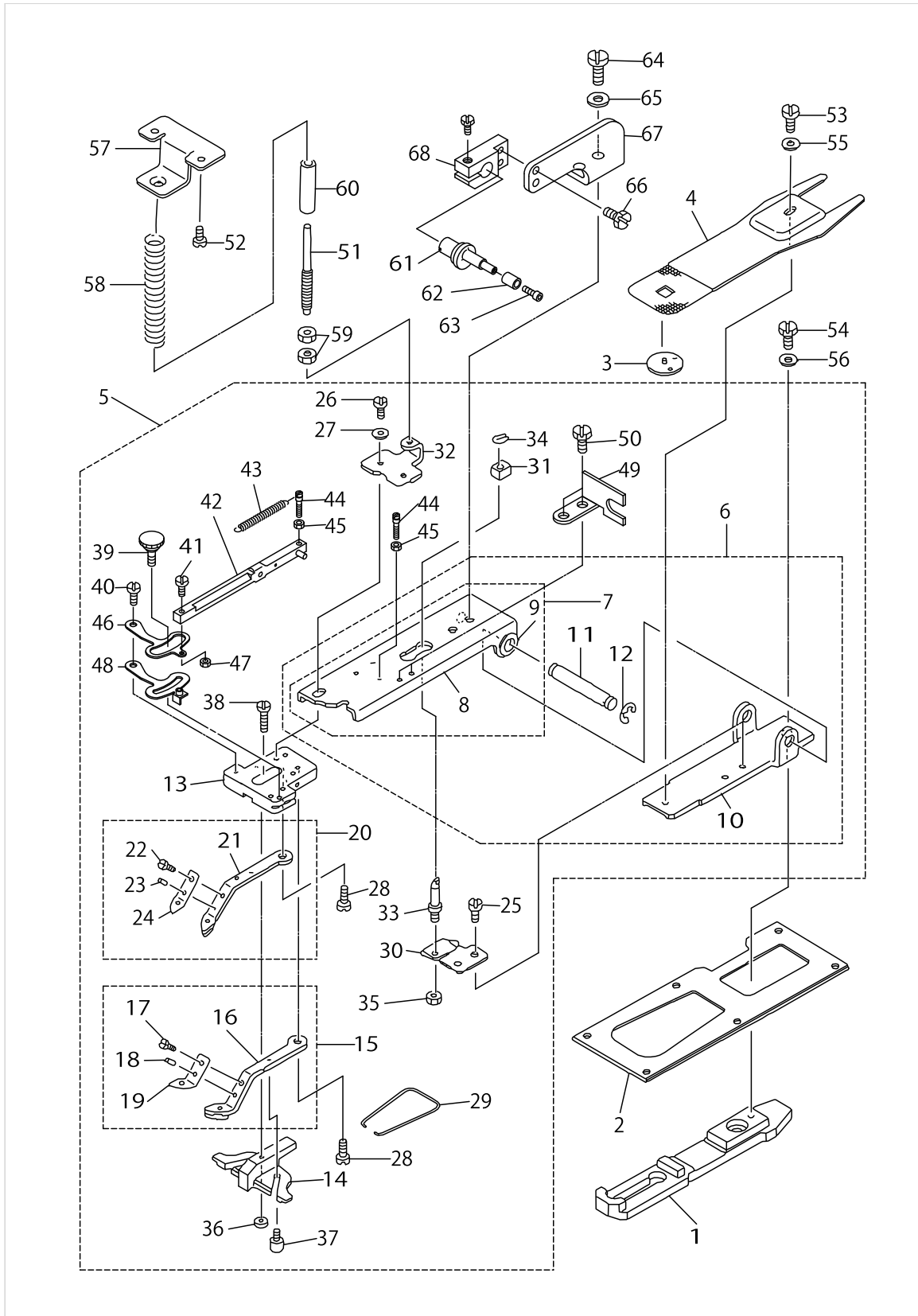
STOP-MOTION MECHANISM COMPONENTS



STOP-MOTION MECHANISM COMPONENTS

No.	Supply Code	Parts No.	Replacement	Parts name	Remarks	Choice	Step	Level	Cons	Qty	Rep. QTY
1	D	13813704		STOP MOTION CONTROL CAM						1	
2		13813803		STOP MOTION FEED CAM						1	
3	D	13813613		INTERCEPTION FRAME						1	

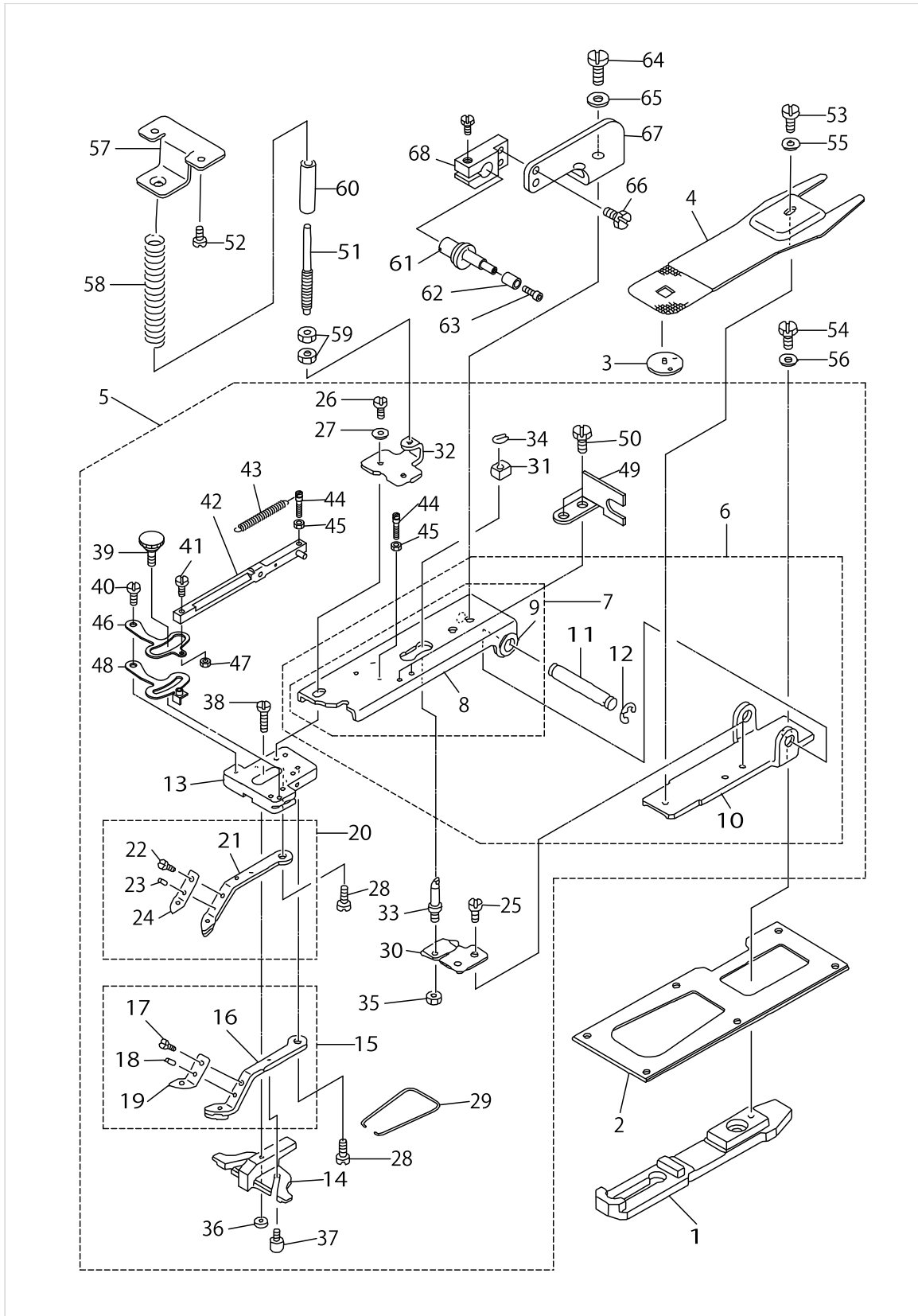
BUTTON CLAMP COMPONENTS (Z165 ATTACHMENTS FOR SMALL BUTTONS)



BUTTON CLAMP COMPONENTS (Z165 ATTACHMENTS FOR SMALL BUTTONS)

No.	Supply Code	Parts No.	Replacement	Parts name	Remarks	Choice	Step	Level	Cons	Qty	Rep. QTY
1		13810312		FEED PLATE						1	
2		13810403		PRESSURE PLATE						1	
3		MAZ15501000		GUIDE						1	
4		MAZ15502000		PRESSURE PLATE						1	
5	D	MAZ165040A0		KNOB DEVICE JUNCTION						1	
6		MAZ155030B0		CLAMP JAW LEVER BASE ASM.				*		1	
7		MAZ155030A0		CLAMP JAW LEVER BASE ASM.				*		1	
8	R	MAZ15503000	MAZ155030A0	CLAMP JAW LEVER BASE				*		1	1.00
9	D	D2505232D00		SUPPORT BOSS				*		2	
10		MAZ15504000		BUTTON CLAMP M-ECHANISM BASE				*		1	
11		D2502232D00		SHAFTBLOCKSHAFT				*		1	
12		RE070000K0		E-RING 7				*		2	
13	R	MAZ15505000	D2563M1YC00	BUTTON CLAMP JAW LEVER BASE				*		1	1.00
14		MAZ16522000		BUTTONGUIDE FOOT				*		1	
15		MAZ165070B0		S BUTTON CLAMP JAW LEVER ASM.R				*		1	
16	R	MAZ165070A0	MAZ165070B0	S BUTTON CLAMP JAW LEVER ASM.R				*		1	1.00
17		SS7090410SP		SCREW 9/64-40 L=3.5				*		2	
18		B2559372000		BUTTON CLAMP LOCATING PIN				*		2	
19		MAZ08829000		SPRING, RIGHT				*		1	
20		MAZ165080B0		SMALL BUTTON CLAMP LEVER ASM.L				*		1	
21	R	MAZ165080A0	MAZ165080B0	SMALL BUTTON CLAMP LEVER L ASM				*		1	1.00
22		SS7090410SP		SCREW 9/64-40 L=3.5				*		2	
23		B2559372000		BUTTON CLAMP LOCATING PIN				*		2	
24		MAZ08828000		SPRING, LEFT				*		1	
25		SS9110543CP		SCREW 11/64-40 L=5.3				*		2	
26		SS9621413SP		SCREW 3/16-32 L=13.5				*		2	
27		WP0501016SD		WASHER 5X10.5X1				*		2	
28		MAZ15518000		SCREW				*		2	
29		MAZ15513000		BUTTON CLAMP JAW LEVER SPRING				*		1	
30		MAZ15514000		SUPPORT PLATE				*		1	
31		MAZ15515000		SLIDE BLOCK				*		1	
32	D	MAZ15517000		SLIDE BRACKET				*		1	
33		13540901		STATIONING BLOCK SHAFT				*		1	
34		D2548232D00		SNAP RING, FOR CONNECTING ROD				*		1	
35		NS6150310SP		NUT 15/64-28				*		1	
36		B2553372000		NUT				*		1	
37		B2560372000		BUTTON CLAMP STOP PIN				*		2	
38		SD0550301SP		HINGE SCREW D=5.5 H=3				*		1	
39	R	B2549372R00	B2549372R00A	CLAMP SCREW A				*		1	1.00
40		SD0500301SP		HINGE SCREW D= 5 H= 3				*		1	
41		SS7091480SP		SCREW 9/64-40 L=13.5				*		1	
42		MAZ088270A0		CLAMP PELEASE LINK ASM.				*		1	
43		GBR01606000		RELEASE RETURN SPRING				*		1	
44		GBR01607000		SPRING HOOK				*		2	

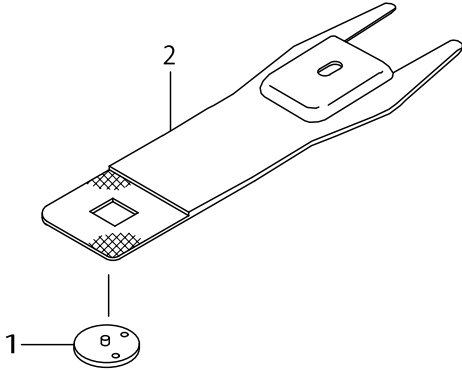
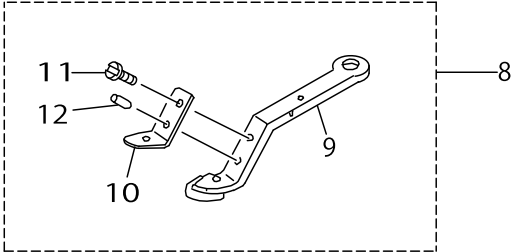
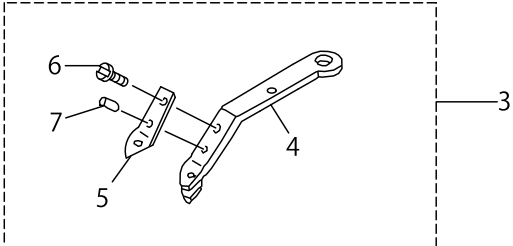
BUTTON CLAMP COMPONENTS (Z165 ATTACHMENTS FOR SMALL BUTTONS)



BUTTON CLAMP COMPONENTS (Z165 ATTACHMENTS FOR SMALL BUTTONS)

No.	Supply Code	Parts No.	Replacement	Parts name	Remarks	Choice	Step	Level	Cons	Qty	Rep. QTY
45		NS6080210SP		NUT 1/8-44				*		2	
46		GBR01601000A		CLAMP RELEASE LEVER				*		1	
47		NS6090310SP		NUT 9/64-40				*		1	
48	R	B2548372RA0	B2548372R00A	BUTTON CLAMP STOP LEVER ASM.				*		1	1.00
49		D2572M1YC0F		LINK SUPPORTING PLATE				*		1	
50		SS9091010SP		SCREW 9/64-40 L=10				*		2	
51		D2528232D00		SHAFT						1	
52		SS7110840SP		SCREW 11/64-40 L=7.8						2	
53		SS9110543CP		SCREW 11/64-40 L=5.3						1	
54		SM6061202TP		SCREW M6 L=12						1	
55		WP0501016SD		WASHER 5X10.5X1						1	
56		WP0612516SD		WASHER 6.1X15.2X2.5						1	
57		13811906		ACCEPT PLATE, UPPER						1	
58		13812003		PRESSURE SPRING						1	
59	R	B3125012000	22928808	THREAD TENSION NUT						2	1.00
60		D2527232D00		SLEEVE						1	
61		18227603		HOOK						1	
62	R	GBR01160000	18200709	ROLLER						1	1.00
63		SM6030602TP		SCREW M3X0.5 L=6						1	
64		SS9151120CP		SCREW 15/64-28 L=11						2	
65		WP0612516SD		WASHER 6.1X15.2X2.5						2	
66		SM6041202TP		SCREW M4X0.7 L=12						2	
67	D	18208900		HOLDER BRACKET						1	
68		18209007		HOOK HOLDER						1	

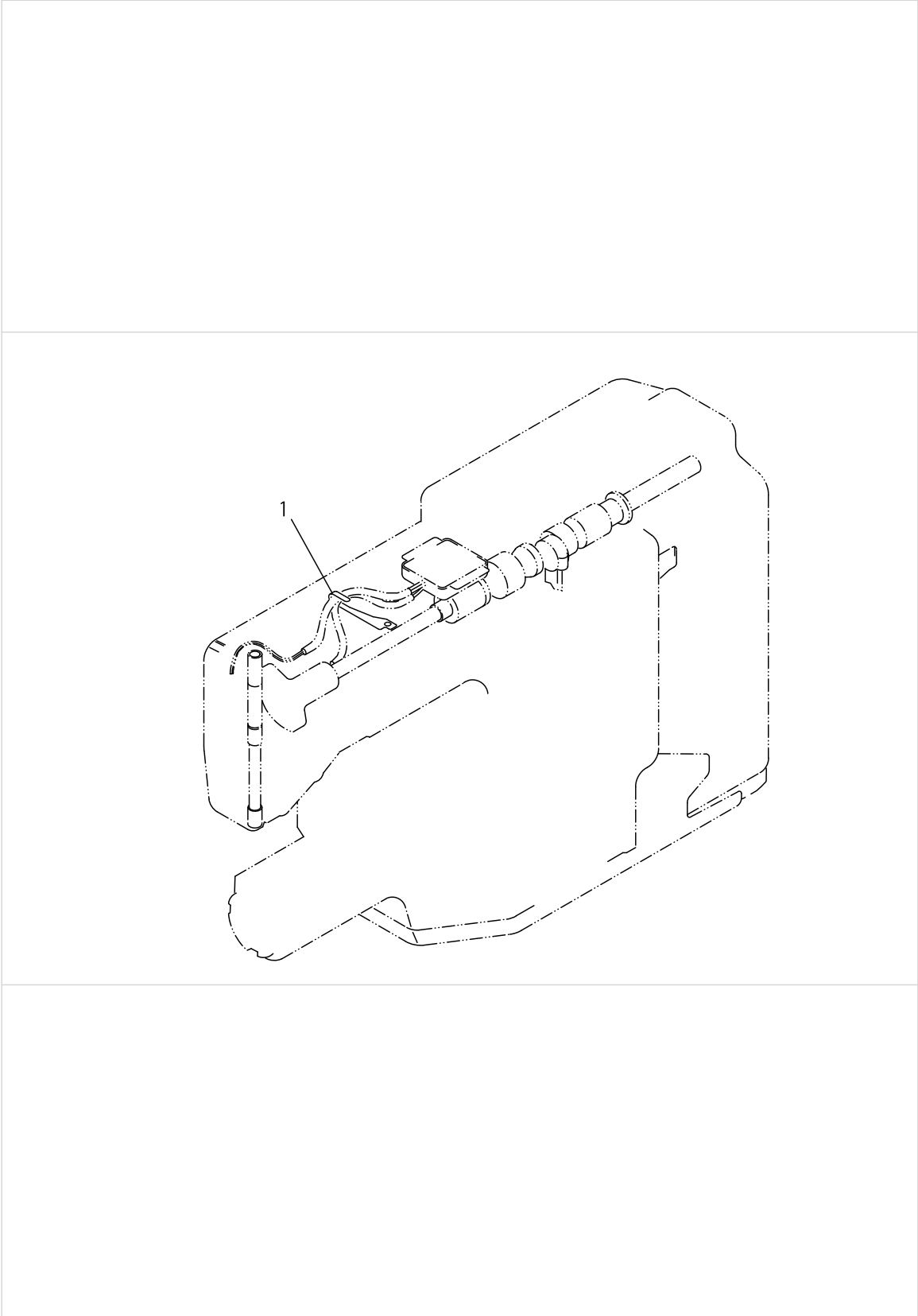
BUTTON CLAMP COMPONENTS (Z166 ATTACHMENT FOR MEDIUM-SIZED BUTTONS)



BUTTON CLAMP COMPONENTS (Z166 ATTACHMENT FOR MEDIUM-SIZED BUTTONS)

No.	Supply Code	Parts No.	Replacement	Parts name	Remarks	Choice	Step	Level	Cons	Qty	Rep. QTY
1		MAZ15601000		GUIDE						1	
2		MAZ15602000		PRESSURE PLATE						1	
3		MAZ166080B0		KNOB FOOT JUNCTION (LEFT)						1	
4	R	MAZ166080A0	MAZ166080B0	MIDDLE BUTTON CLAMP LEVER ,L				*		1	1.00
5		MAZ15510000		SPRING, LEFT				*		1	
6		SS7090410SP		SCREW 9/64-40 L= 3.5				*		2	
7		B2559372000		BUTTON CLAMP LOCATING PIN				*		2	
8		MAZ166070B0		M BUTTON CLAMP JAW LEVER ASM.R						1	
9	R	MAZ166070A0	MAZ166070B0	M BUTTON CLAMP JAW LEVER ASM.R				*		1	1.00
10		MAZ15509000		SPRING, RIGHT				*		1	
11		SS7090410SP		SCREW 9/64-40 L= 3.5				*		1	
12		B2559372000		BUTTON CLAMP LOCATING PIN				*		1	

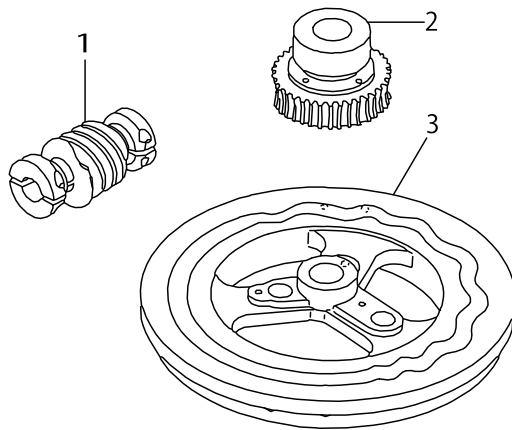
LUBRICATION MECHANISM COMPONENTS



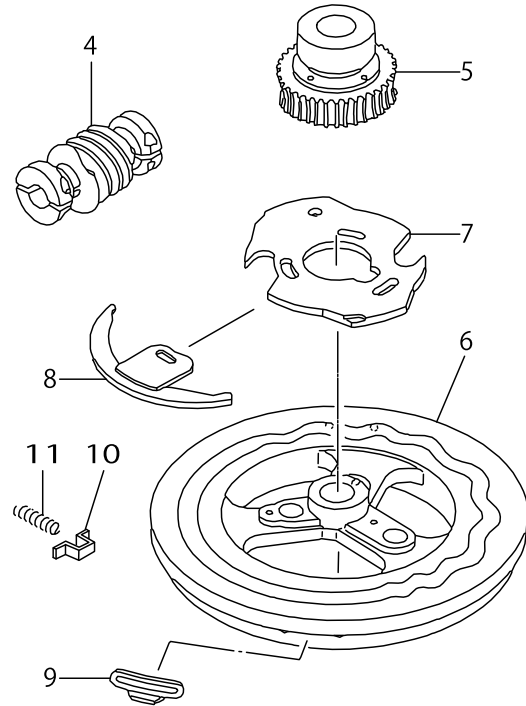
LUBRICATION MECHANISM COMPONENTS

No.	Supply Code	Parts No.	Replacement	Parts name	Remarks	Choice	Step	Level	Cons	Qty	Rep. QTY
1	D	MAZ16526000		CLAMP						1	

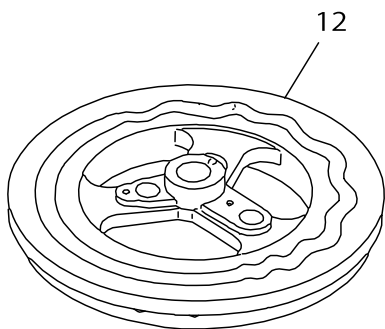
(1) LK-1851-556



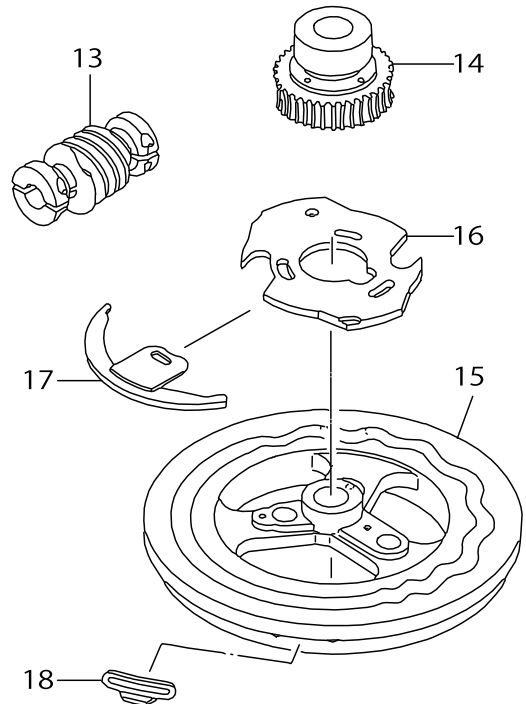
(2) LK-1852-557



(3) LK-1851-558



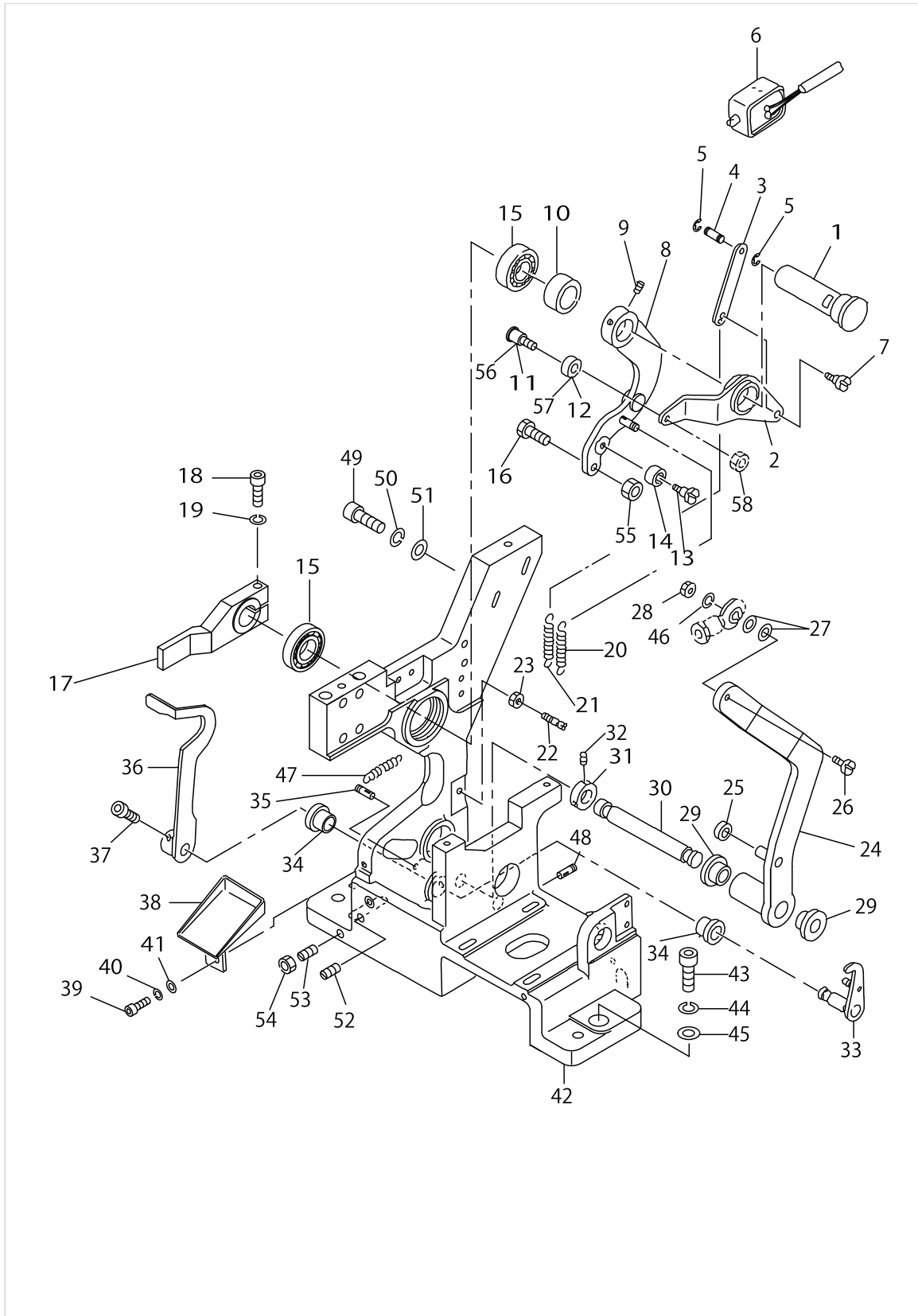
(4) LK-1853-559



LK-1851 SERIES SUBCLASSES

No.	Supply Code	Parts No.	Replacement	Parts name	Remarks	Choice	Step	Level	Cons	Qty	Rep. QTY
1	R	13815105	13815154	WORM WHEEL 16 STITCHES						1	1.00
2	R	13815451	13815154	WORM WHEEL ASM. 16 STITCHES						1	1.00
3	D	13814207		FEED CAM 16 STITCHES						1	
4	R	13815204	13815253	WORM WHEEL 22 STITCHES						1	1.00
5	R	13815550	13815253	WORM WHEEL ASM. 22 STITCHES						1	1.00
6		13814306		FEED CAM 22 STITCHES						1	
7	D	13814702		STOP MOTION FEED CAM						1	
8		13814900		STOP MOTION FEED CAM						1	
9	D	13814504		NOTCH 22 STITCHES						1	
10		13815709		PRESSURE PLATE						1	
11	D	B1240980000		BALL PUSHING SPRING						1	
12		13814108		FEED CAM 18 STITCHES						1	
13	R	13815303	13815352	WORM WHEEL 30 STITCHES						1	1.00
14		13815659		WORM WHEEL ASM. 30 STITCHES						1	
15	D	13814405		FEED CAM 30 STITCHES						1	
16		13814801		STOP MOTION FEED CAM						1	
17		13815006		STOP MOTION FEED CAM						1	
18	D	13814603		NOTCH 30 STITCHES						1	

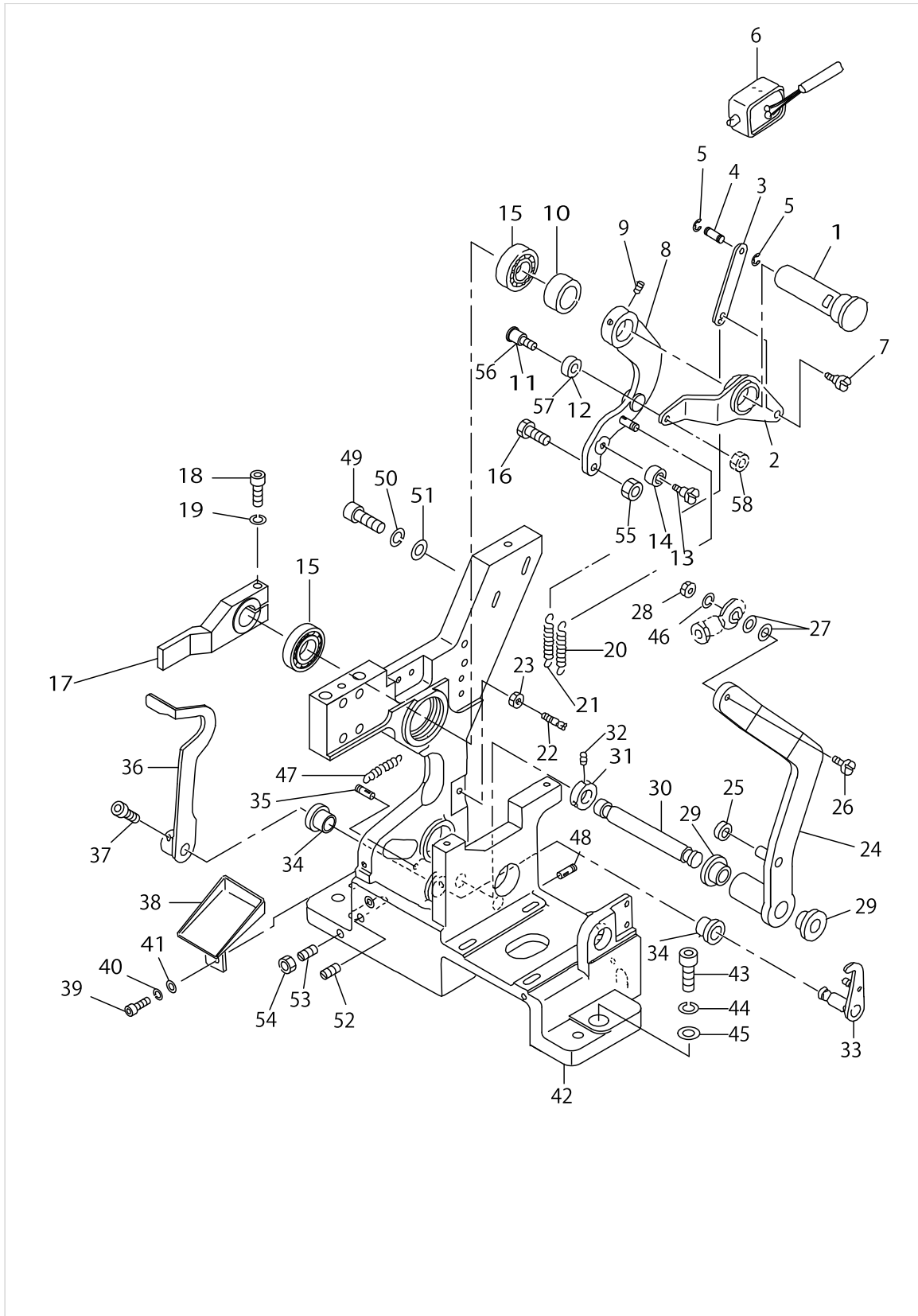
FINE POSITION OF BUTTONS COMPONENTS (1)



FINE POSITION OF BUTTONS COMPONENTS (1)

No.	Supply Code	Parts No.	Replacement	Parts name	Remarks	Choice	Step	Level	Cons	Qty	Rep. QTY
1		16552507		ARM SHAFT						1	
2		18219709		RUBBING UP-AND-DOWN LEVER						1	
3		18218206		RUBBING UP-AND-DOWN LINK						1	
4		16557209		PIN						1	
5		RE0200000K0		E-RING						2	
6		GBR10852000		MAGNET						1	
7		SD0600341TP		HINGE SCREW D=6.0 H=3.4						1	
8		18227850		UP AND DOWN LEVER ASM.						1	
9		SM8050602TP		SCREW M5 L=6						2	
10		16552606		THRUST COLLAR						1	
11		SD0600401TP		HINGE SCREW D= 6 H= 4	ADDITION FROM '91.9					1	
12		18219808		RUBBING ROLLER	ADDITION FROM '91.9					1	
13		SD0601021SP		HINGE SCREW D=6 H=10.2						1	
14		16556706		BEARING						1	
15		SB115000400		RADIAL BEARING						2	
16		SM6063002TP		SCREW M6 L=30						1	
17		18207902		UP AND DOWN ARM						1	
18		SM6052502TP		SCREW M5X0.8 L=25						1	
19		WS0510002KN		SPRING WASHER						1	
20		16554008		SPRING						1	
21		16553208		SPRING						1	
22		16553307		HOOK						1	
23		NM6050001SC		NUT M5						1	
24		18206706		TURNING LEVER						1	
25		16556805		COLLAR						1	
26		SM6042002TP		SCREW M4X0.7 L=20						1	
27		WP0430800SC		WASHER M4						2	
28		NM6040001SC		NUT M4						1	
29		16557506		LEVER SHAFT METAL						2	
30		16554503		SHAFT						1	
31		16559007		BASE A (BR-10)						1	
32		SM8040602TP		SCREW M4X0.7 L=6						2	
33		18217752		CLAMP RELEASE ASM.						1	
34		16557605		SHAFT BUSHING						2	
35		18219006		DW PIN 4*14						1	
36		18206904		CLAMPRELEASEARM						1	
37		SM6050802TP		SCREW M5X0.8 L=8						2	
38		16550105		SUPPORT PLATE						1	
39		SM6040802TR		SCREW M4X0.7 L=8						1	
40		WS0410002KN		SPRING WASHER						1	
41		WP0430800SC		WASHER M4						1	
42		18227702		MAIN BODY						1	
43		SM6063002TP		SCREW M6 L=30						3	
44		WS0610002KN		SPRING WASHER 6.1X12.2X1.5						3	
45		16559601		WASHER						3	

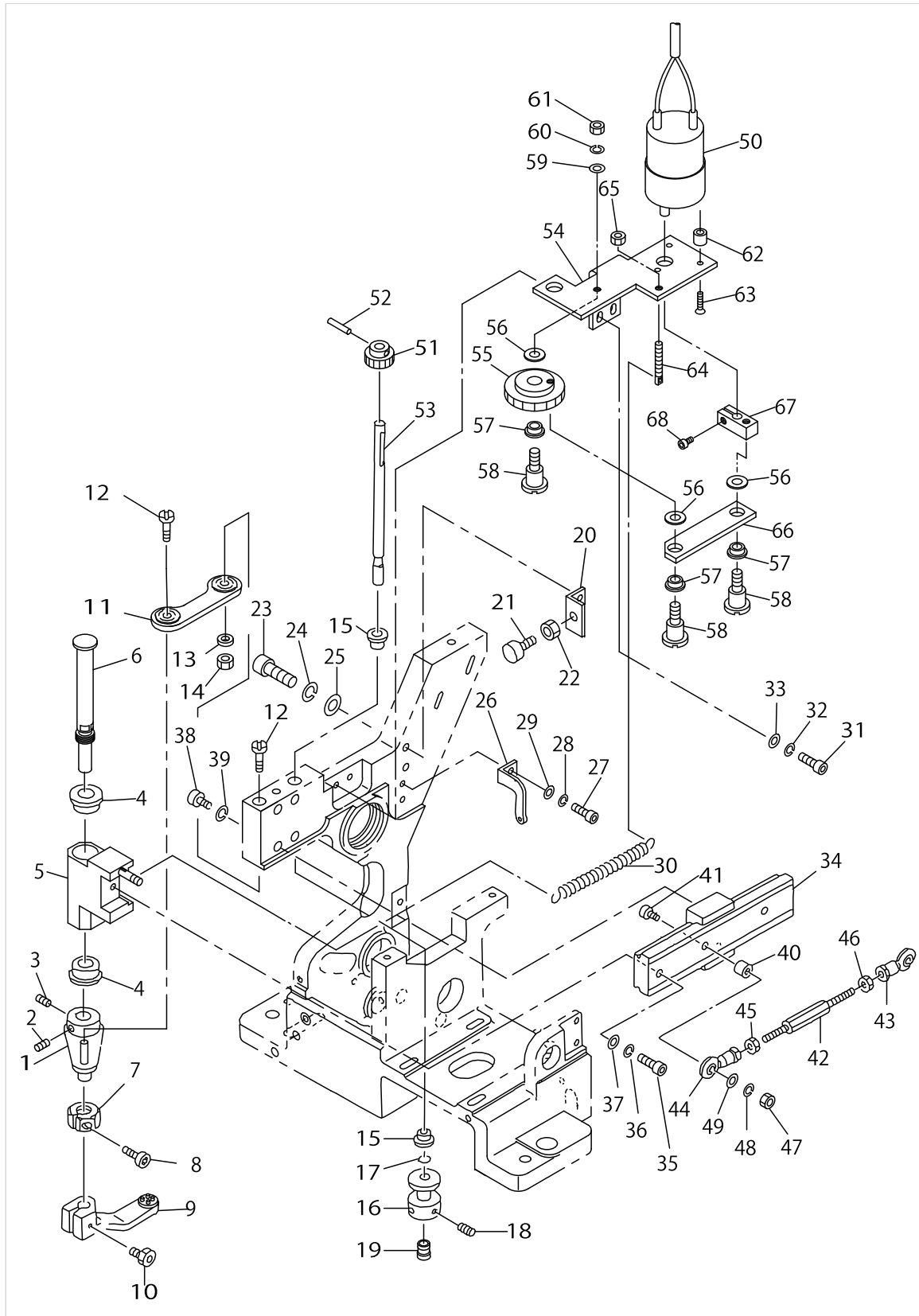
FINE POSITION OF BUTTONS COMPONENTS (1)



FINE POSITION OF BUTTONS COMPONENTS (1)

No.	Supply Code	Parts No.	Replacement	Parts name	Remarks	Choice	Step	Level	Cons	Qty	Rep. QTY
46		WS0410002KN		SPRING WASHER						1	
47		16554008		SPRING						1	
48		SM8050502TP		SCREW M5 L=5						1	
49		SM6031402TP		SCREW						2	
50		WS0310002KN		SPRING WASHER M3						2	
51		WP0320500SC		WASHER M3						2	
52		SM8051002TP		SCREW M5 L=10						1	
53		SM8062012TP		SCREW M6 L=20						1	
54		NM6060001SC		NUT M6						1	
55		18219402		M6 NUT						1	
56		16553406		HINGE SCREW (2)	DELITON FROM '91.9					1	
57	R	16553505	18219808	ROLLER	DELITON FROM '91.9					1	1.00
58		NM6040001SC		NUT M4	DELITON FROM '91.9					1	

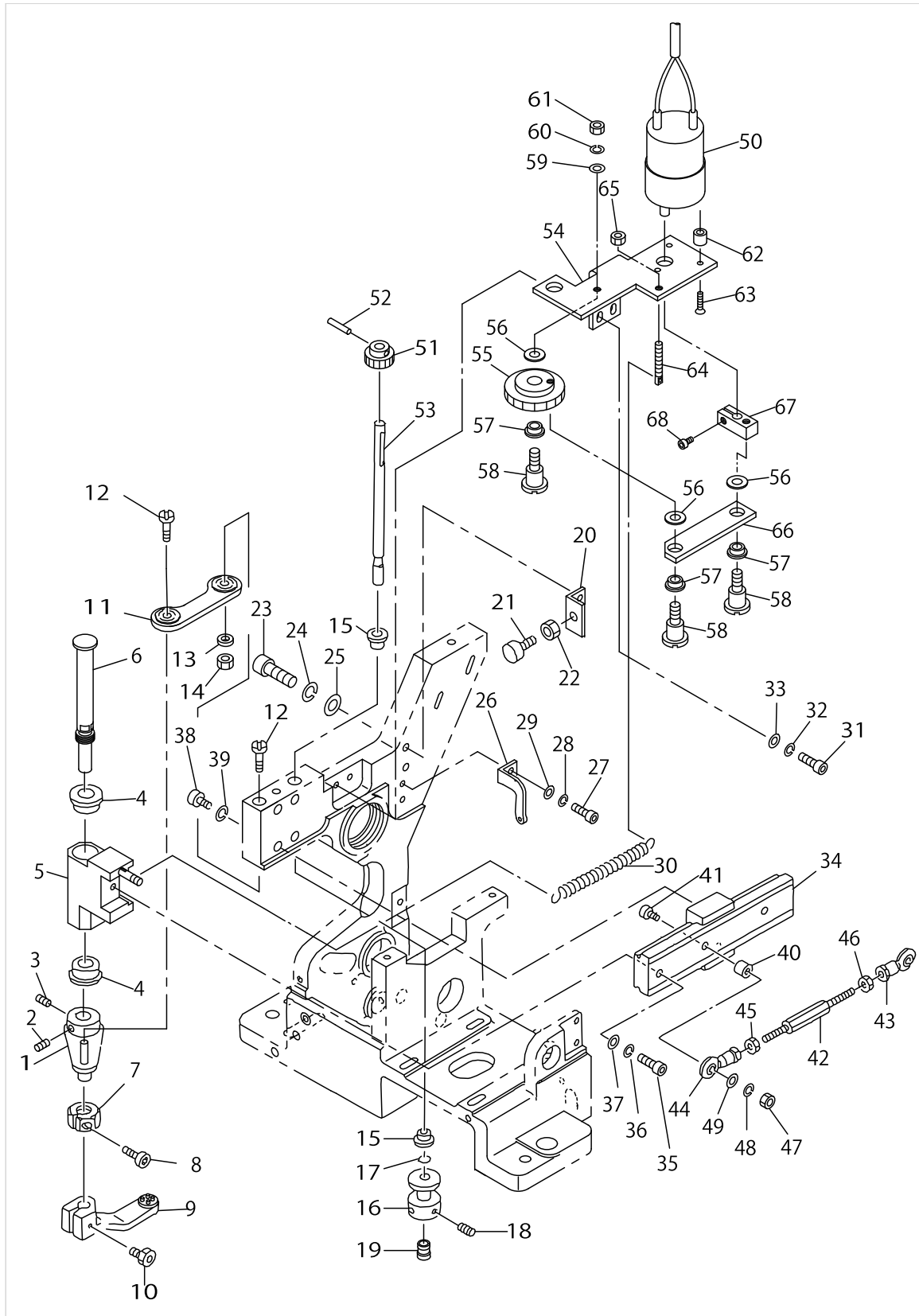
FINE POSITION OF BUTTONS COMPONENTS (2)



FINE POSITION OF BUTTONS COMPONENTS (2)

No.	Supply Code	Parts No.	Replacement	Parts name	Remarks	Choice	Step	Level	Cons	Qty	Rep. QTY
1		18206003		TURNING LEVER BOSS						1	
2		SM8050602TP		SCREW M5 L=6						1	
3		SM8050502TP		SCREW M5 L=5						1	
4		16557407		ARM SHAFT METAL						2	
5		18227959		TURNING HEAD ASM.						1	
6		18205906		TURNING SHAFT						1	
7		18206409		STOPPER						1	
8		SM6031202TP		SCREW M3X0.5 L=12						1	
9		16557902		BUTTON CARRIER A						1	
10		SM6051802TP		SCREW M5 L=18						1	
11		18206656		CONNECTING PLATE ASM.						1	
12		18205708		SCREW						2	
13	R	WS0510002KS	WS0510002KR	SPRING WASHER M5						1	1.00
14		NM6050001SC		NUT M5						1	
15		16557308		METAL						2	
16		16551905		HOOK						1	
17		16558801		O-RING						1	
18		SM8040602TP		SCREW M4X0.7 L=6						2	
19		18200501		WORK ATTACHMENT (SMALL)						1	
20		18205609		STOPPER HOLDER						1	
21		16552309		STOPPER						1	
22		NM6040001SC		NUT M4						1	
23		SM6042002TP		SCREW M4X0.7 L=20						2	
24		WP0430800SC		WASHER M4						2	
25		WS0410002KN		SPRING WASHER						2	
26		18205401		SPRING HOOK						1	
27		SM6040802TR		SCREW M4X0.7 L=8						2	
28		WS0410002KN		SPRING WASHER						2	
29		WP0430800SC		WASHER M4						2	
30		16551806		SPRING						1	
31		SM6041002TP		SCREW M4 L=10						2	
32		WS0410002KN		SPRING WASHER						2	
33		WP0430800SC		WASHER M4						2	
34		16556607		LM GUIDE						1	
35		SM6041402TP		SCREW M4 L=14						1	
36		WS0410002KN		SPRING WASHER						1	
37		WP0430800SC		WASHER M4						1	
38		SM6031402TP		SCREW						4	
39		WS0310002KN		SPRING WASHER M3						4	
40		16550402		COLLAR B						1	
41		SM6042502TP		SCREW M4X0.7 L=25						1	
42		16550204		CONNECTING ROD						1	
43		16556409		ROD END						1	
44		16556300		ROD END						1	
45		NM6040001SC		NUT M4						1	
46		GBR01175000		ROD END NUT, LEFT						1	

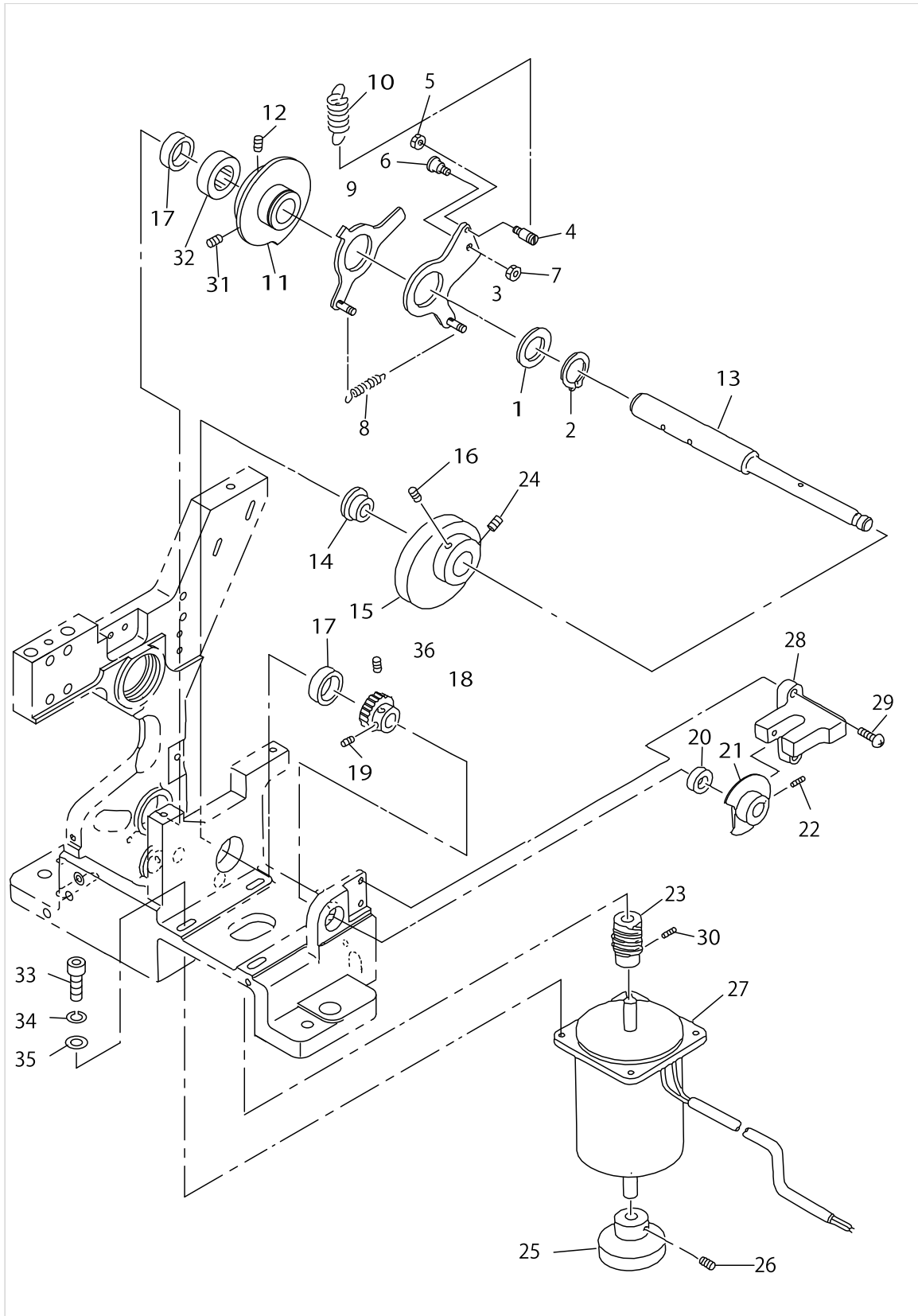
FINE POSITION OF BUTTONS COMPONENTS (2)



FINE POSITION OF BUTTONS COMPONENTS (2)

No.	Supply Code	Parts No.	Replacement	Parts name	Remarks	Choice	Step	Level	Cons	Qty	Rep. QTY
47		NM6040001SC		NUT M4						1	
48		WS0410002KN		SPRING WASHER						1	
49		WP0430800SC		WASHER M4						1	
50		GBR108550A0		DC MOTOR ASM.						1	
51		GBR11110000		PINION, A	CHANGE F- ROM '92.8					1	
52		PH0300125S0		PIN						1	
53		18206201		ROTATING ROD						1	
54		GBR11109000		BRACKET	CHANGE F- ROM '92.8					1	
55		GBR11111000		PINION, B	CHANGE F- ROM '92.8					1	
56		GBR11114000		WASHER	CHANGE F- ROM '92.8					3	
57		E5006171000		PS BEARING	CHANGE F- ROM '92.8					3	
58		SD0600651TP		HINGE SCREW	CHANGE F- ROM '92.8					3	
59		WP0430801SC		WASHER 4.3X9X0.8	CHANGE F- ROM '92.8					1	
60		WS0410002KN		SPRING WASHER	CHANGE F- ROM '92.8					1	
61		NS6110360SP		NUT	CHANGE F- ROM '92.8					1	
62	R	11110707	22956205	WIPER HINGE SCREW COLLAR	CHANGE F- ROM '92.8					3	1.00
63	R	SM1031401SC	SM1031401SN	SCREW M3X0.5 L=14	CHANGE F- ROM '92.8					3	1.00
64	R	B1649161000	26226506	TENSION SPRING A- DJUSTING SCREW	CHANGE F- ROM '92.8					1	1.00
65		NS6110360SP		NUT	CHANGE F- ROM '92.8					1	
66		GBR11113000		LINK	CHANGE F- ROM '92.8					1	
67		GBR11112000		DRIVING ARM	CHANGE F- ROM '92.8					1	
68		SM6030602TP		SCREW M3X0.5 L=6	CHANGE F- ROM '92.8					1	

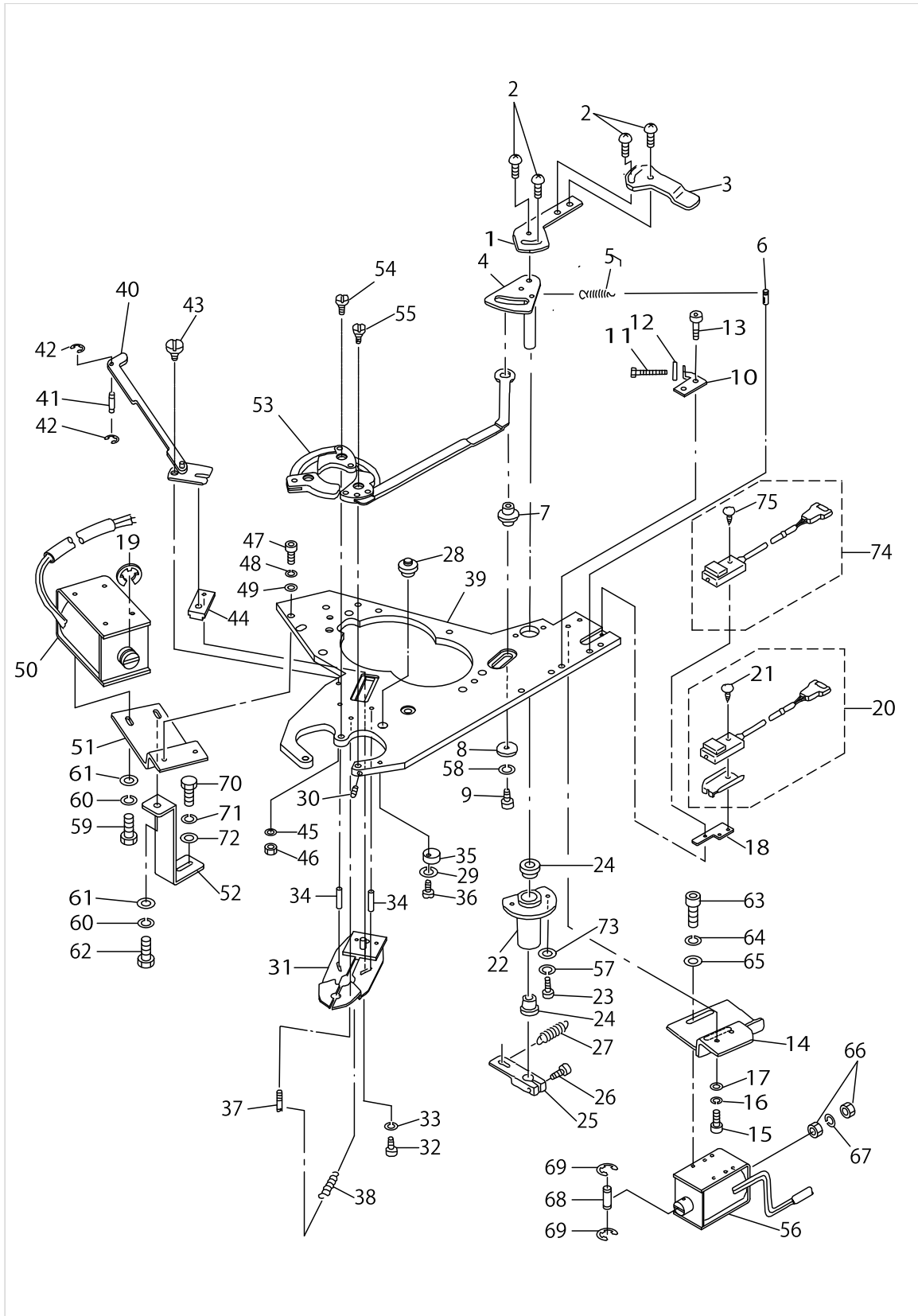
DRIVE CAM COMPONENTS



DRIVE CAM COMPONENTS

No.	Supply Code	Parts No.	Replacement	Parts name	Remarks	Choice	Step	Level	Cons	Qty	Rep. QTY
1	D	GBR01120000		COLLAR						1	
2		RC2500001KP		RETAINING RING 25						1	
3	D	18217950		START TIMING CAM ASM.						1	
4		16562803		HOOK						1	
5		NM6040001SC		NUT M4						1	
6		16562902		HINGE SCREW						1	
7		NM6050001SC		NUT M5						1	
8	R	18212506	G5460340000	TENSION SPRING						1	1.00
9	D	18227553		HOLDING CLAMP DRIVE CAM ASM.						1	
10		GBR01126000A		TENSION SPRING						1	
11		18207209		DOUBLE CAM						1	
12		SM8050612TP		SCREW M5X6						1	
13		18207506		CAM SHAFT						1	
14		16560104		CAMSHAFTCOLLAR1						1	
15		16561607		SPINNER OSCILLATING ARM CAM						1	
16		SM8050812TP		SCREW M5X8						1	
17		GBR01168000		NEEDLE BEARING 3						2	
18		16562001		WORM WHEEL						1	
19		16562407		SCREW						1	
20		16562308		NEEDLE BEARING						1	
21		16560302		SENSOR DOCK						1	
22		SM8040602TP		SCREW M4X0.7 L=6						1	
23		16562100		WORM GEAR						1	
24		SM8050842TP		SETSCREW						1	
25		16561904		MOTOR KNOB						1	
26		SM8050602TP		SCREW M5 L=6						1	
27	R	GBR108590A0	HM000670000	DC MOTOR ASM.						1	1.00
28	D	HD000360000		PHOTO MICRO SENSOR						1	
29		SL4031081SC		SCREW M3 X 10						2	
30		SM8040402TP		SCREW M4X0.7 L=4						2	
31		SM8050842TP		SETSCREW						1	
32		16560203		CAMSHAFTCOLLAR2						1	
33		SM6062002TP		SCREW M6 L=20						4	
34		WS0610002KN		SPRING WASHER 6.1X12.2X1.5						4	
35		WP0641600SC		WASHEW6.4X12.5X1.6						4	
36		SM8050602TP		SCREW M5 L=6						1	

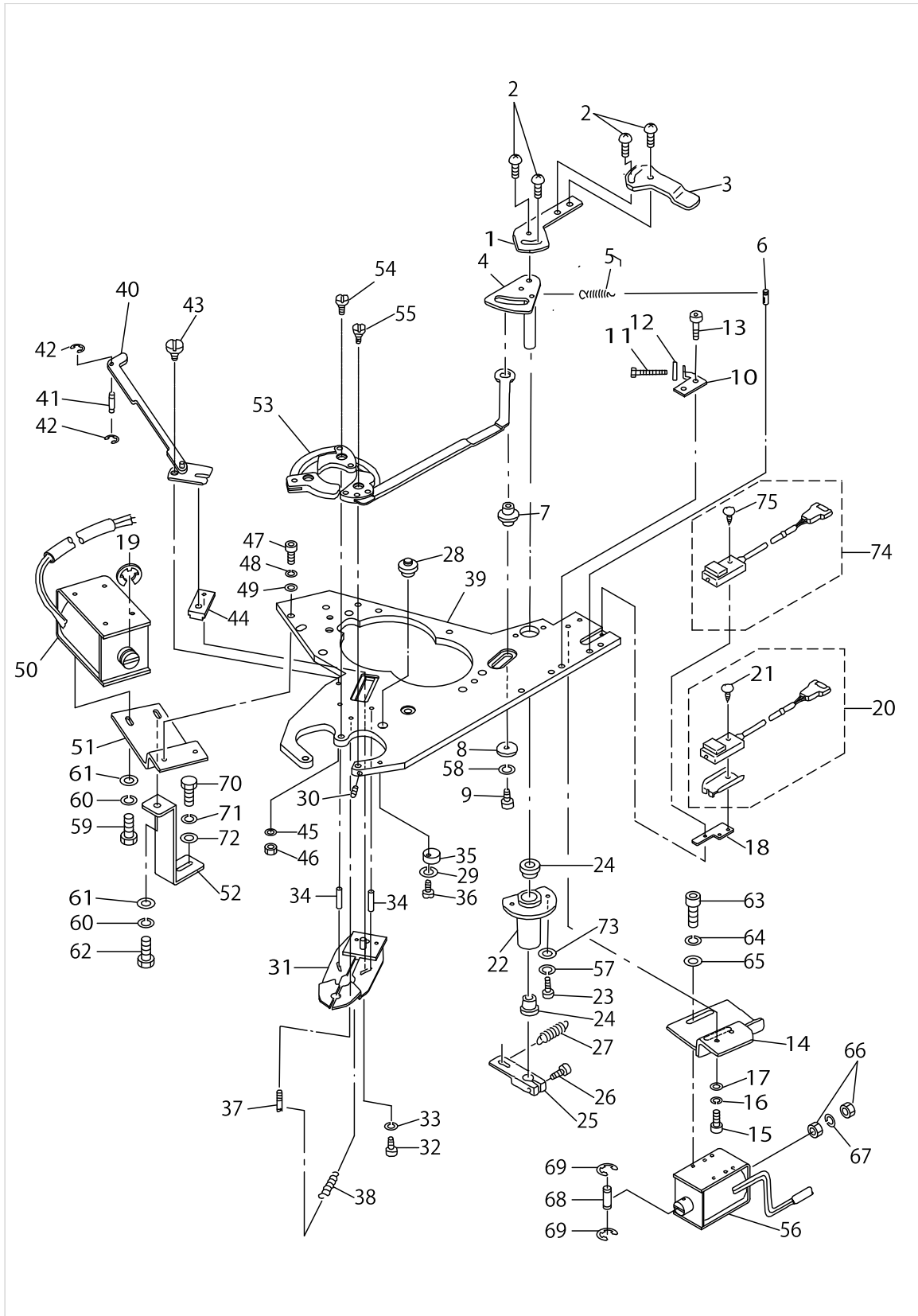
INDEX COMPONENTS (1)



INDEX COMPONENTS (1)

No.	Supply Code	Parts No.	Replacement	Parts name	Remarks	Choice	Step	Level	Cons	Qty	Rep. QTY
1		16566507		CHECK DOG						1	
2		SM0040601SC		SCREW M4X0.7 L=6						4	
3		16574105		DOG						1	
4		16566002		SPINNER CAM						1	
5		16553208		SPRING						1	
6		18218909		DW PIN 4*12						1	
7		16565707		SHAFT (1)						1	
8		B2107816000		WASHER						1	
9		SM6041002TP		SCREW M4 L=10						1	
10	D	16566606		STOPPER BKT						1	
11		SM8042502TP		SCREW M4X0.7 L=25						1	
12		NM6040001SC		NUT M4						1	
13		SM6040802TR		SCREW M4X0.7 L=8						2	
14	D	16567000		BRACKET (1)						1	
15		SM6041002TP		SCREW M4 L=10						2	
16		WS0410002KN		SPRING WASHER						2	
17		WP0430800SC		WASHER M4						2	
18		16574006		BRACKET						1	
19		RE1200000K0		E-RING 12						1	
20		GBR108430A0		RUB COMPLETION SWITCH ASM.						1	
21	D	SM0861201SA		SCREW				*		1	
22		16565905		CUPLING						1	
23		SM6041002TP		SCREW M4 L=10						2	
24		16572406		METAL						2	
25		16566408		LINK LEVER						1	
26		SM6041202TP		SCREW M4X0.7 L=12						1	
27		18201608		SPRING, 2						1	
28		18218008		SHAFT (2)						1	
29		WP0430800SC		WASHER M4						1	
30		SM8030402TP		SCREW M3X0.5 L=4						1	
31		16567166		SHUTTER PLATE ASM.						1	
32		SM6041202TP		SCREW M4X0.7 L=12						1	
33		WS0410002KN		SPRING WASHER						1	
34		18204107		PIN						2	
35		18209502		ECCENTRIC STOPPER						1	
36		SM6041202TP		SCREW M4X0.7 L=12						1	
37		18219204		DW PIN 4*18						1	
38		16554008		SPRING						1	
39		18217505		TOP PLATE						1	
40		16567802		LINK PLATE						1	
41		16572505		PIN						1	
42		RE0250000K0		E-RING 2.5						2	
43		16567901		HING SCREW						1	
44		16573305		SLIDER BLOCK						1	
45		WS0410002KN		SPRING WASHER						1	
46		NM6040001SC		NUT M4						2	

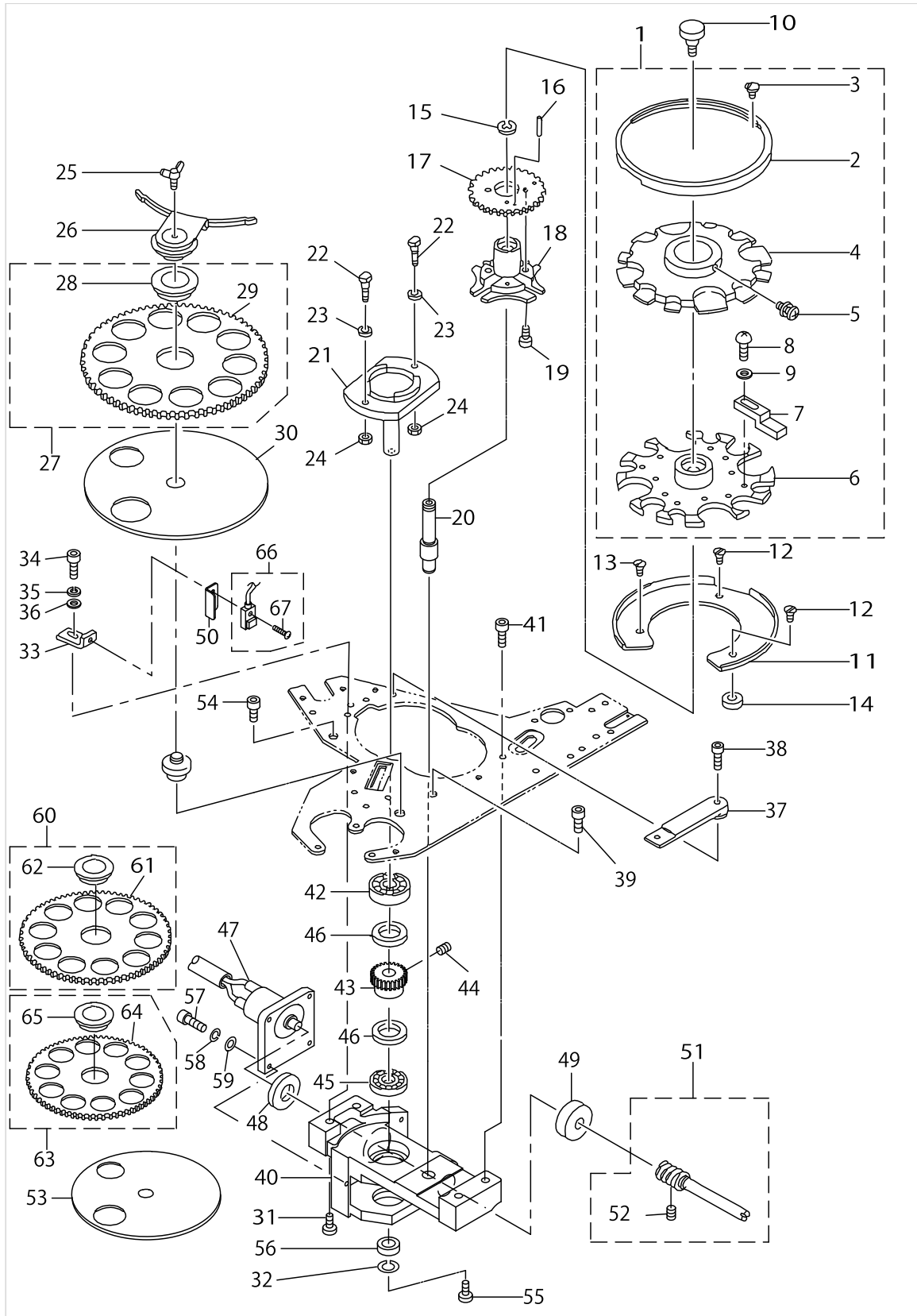
INDEX COMPONENTS (1)



INDEX COMPONENTS (1)

No.	Supply Code	Parts No.	Replacement	Parts name	Remarks	Choice	Step	Level	Cons	Qty	Rep. QTY
47		SM6041002TP		SCREW M4 L=10						2	
48		WS0410002KN		SPRING WASHER						2	
49		WP0430800SC		WASHER M4						2	
50		GBR10853000		MAGNET						1	
51		16568206		BRACKET (2)						1	
52		18209403		SUPPORT PLATE						1	
53		18202150		CHECK ASM., A						1	
54		16565400		HING PIN (2)						2	
55		16565509		HING PIN (1)						1	
56		GBR10854000		MAGNET						1	
57		WS0410002KN		SPRING WASHER						2	
58		WS0410002KN		SPRING WASHER						1	
59		SM6040802TP		SCREW M4X0.7 L=8						3	
60		WS0410002KN		SPRING WASHER						4	
61		WP0430800SC		WASHER M4						4	
62		SM6041202TP		SCREW M4X0.7 L=12						1	
63		SM6040802TP		SCREW M4X0.7 L=8						2	
64		WS0410002KN		SPRING WASHER						2	
65		WP0430800SC		WASHER M4						2	
66		NM6040001SC		NUT M4						2	
67		WS0410002KN		SPRING WASHER						1	
68		16557209		PIN						1	
69		RE0200000K0		E-RING						2	
70		SM6061602TP		SCREW M6 L=16						1	
71		WS0610002KN		SPRING WASHER 6.1X12.2X1.5						1	
72		WP0641600SC		WASHEW6.4X12.5X1.6						1	
73		WP0430800SC		WASHER M4						2	
74		GBR108440A0		BUTTON SENSOR SWITCH ASM.						1	
75	D	SM0861201SA		SCREW				*		1	

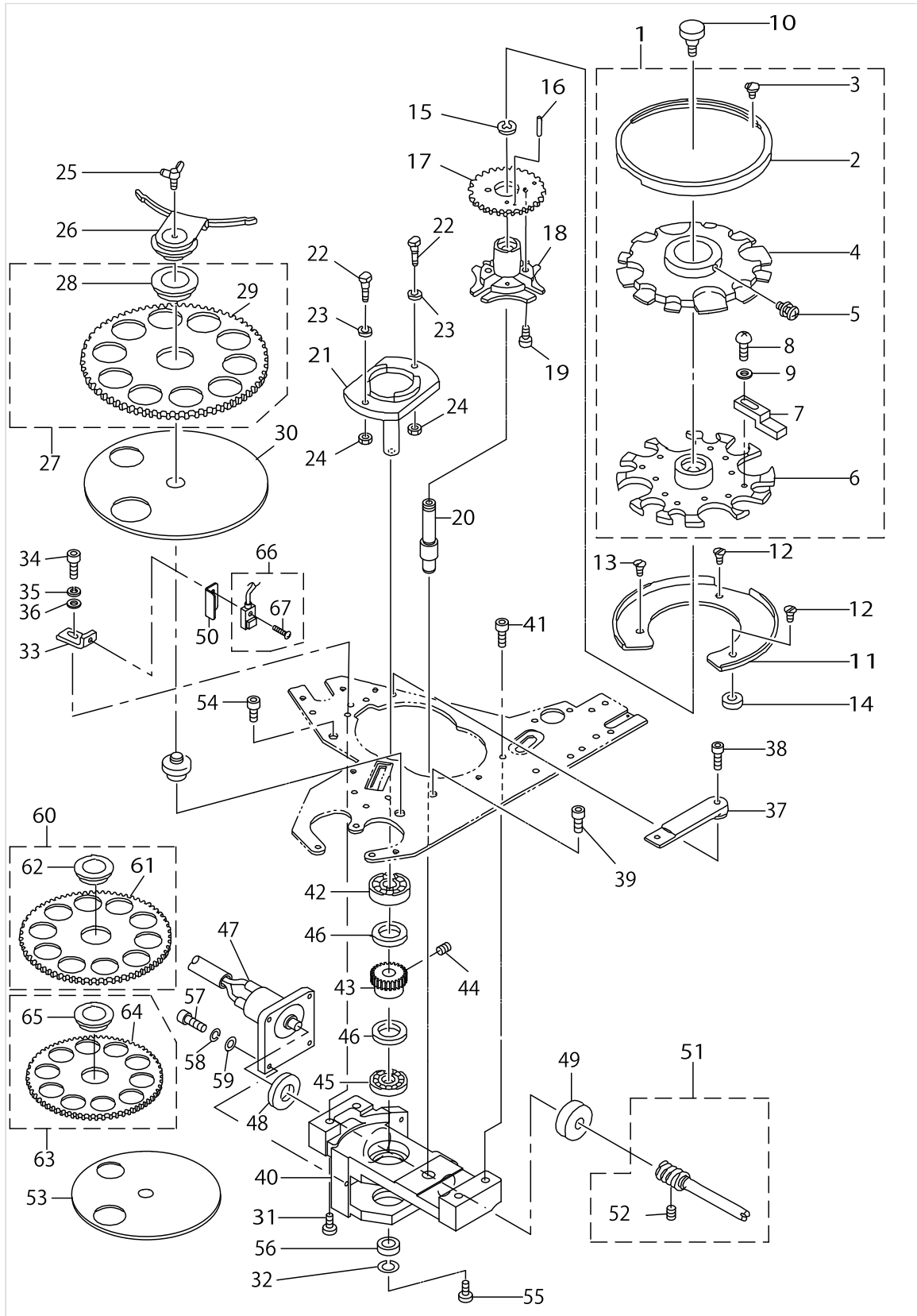
INDEX COMPONENTS (2)



INDEX COMPONENTS (2)

No.	Supply Code	Parts No.	Replacement	Parts name	Remarks	Choice	Step	Level	Cons	Qty	Rep. QTY
1	R	18201962	40163503	FEED ACROSS PLATE ASM. A						1	1.00
2		16573701		RING				*		1	
3		SM0040601SC		SCREW M4X0.7 L=6				*		2	
4	R	18203307	40163420	ADJUSTING PLATE				*		1	1.00
5		SL4030881SC		SCREW M3X8				*		1	
6	R	18201905	40163419	FEED PLATE A				*		1	1.00
7		18202002		BUTTON ADJUST A				*		8	
8		SM4860501SC		SCREW M 2.6 X 5				*		8	
9		WP0280500SC		WASHER				*		8	
10	D	16573800		SCREW						1	
11		16569204		REST						1	
12		SM1041201SC		SCREW M4 L=12						2	
13		SM1040601SC		SCREW M4X0.7 L=6						1	
14		16573008		COLLAR						2	
15		16571903		CLIP						1	
16		PH0300185S0		PIN						1	
17		16569600		GEAR						1	
18		16569501		GENEVA						1	
19		SM6030802TP		SCREW M3X0.5 L=8						2	
20		18219501		DIVIDING MAIN SHAFT						1	
21		16570103		WHEEL						1	
22		16570202		SCREW						2	
23		16570301		COLLAR						2	
24		NM6040001SC		NUT M4						2	
25		18204503		WING BOLT						1	
26		16568909		COVER CAP						1	
27		18200352		FEED PLATE CIRCLE 16 ASM.						1	
28		16572703		METAL				*		1	
29		18200303		FEED PLATE 16				*		1	
30		16568404		FERRULE DISC						1	
31		SM6052002TP		SCREW M5 L=20						1	
32		WS0410002KN		SPRING WASHER						1	
33		16570707		SENSOR BRACKET						1	
34		SM6040802TR		SCREW M4X0.7 L=8						1	
35		WS0410002KN		SPRING WASHER						1	
36		WP0430800SC		WASHER M4						1	
37		16570905		STAND PLATE (1)						1	
38		SM6041202TP		SCREW M4X0.7 L=12						1	
39		SM6051202TP		SCREW M5X0.8 L=12						1	
40		18219600		GENEVA HOUSE						1	
41		SM6051602TP		SCREW M5X0.8 L=16						3	
42		SB110000400		BALL BEARING						1	
43	R	16571507	16562001	WORM WHEEL						1	1.00
44		SM8050842TP		SETSCREW						2	
45		16571804		BEARING A						1	
46		16573909		THRUST COLLAR						2	

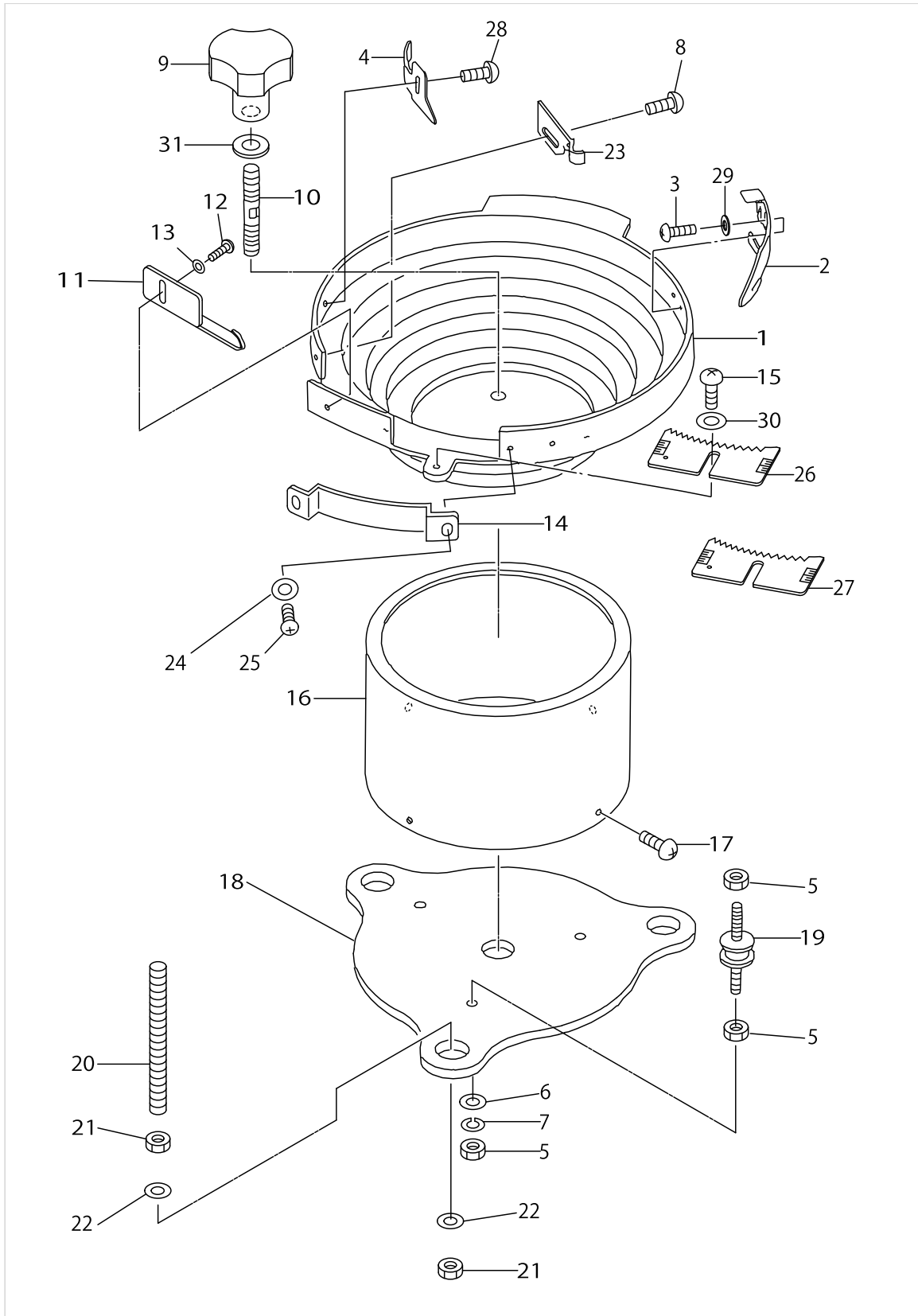
INDEX COMPONENTS (2)



INDEX COMPONENTS (2)

No.	Supply Code	Parts No.	Replacement	Parts name	Remarks	Choice	Step	Level	Cons	Qty	Rep. QTY
47		GBR108560A0		DC MOTOR ASM.						1	
48		16570509		THRUST COLLAR						1	
49		16571408		NEEDLE BEARING						1	
50		18212902		SENSOR COVER						1	
51	R	16570657	SM8040402TP	TURNINGSHAFTASM.		A				1	1.00
51	R	16570657	16570608	TURNINGSHAFTASM.		A				1	1.00
52		SM8040402TP		SCREW M4X0.7 L=4				*		2	
53		18201103		HOLDING PLATE (SMALL)	OPTIONAL PART					1	
54		SM6051202TP		SCREW M5X0.8 L=12						1	
55		SM6041002TP		SCREW M4 L=10						1	
56		B2107816000		WASHER						1	
57		SM6030802TP		SCREW M3X0.5 L=8						4	
58		WS0310002KN		SPRING WASHER M3						4	
59		WP0320500SC		WASHER M3						4	
60		16568651		FEEDPLATE22BASM.	OPTIONAL PART					1	
61		16568602		FEED PLATE 22B				*		1	
62		16572703		METAL				*		1	
63		18200956		FEED PLATE CIRCLE 13.5 ASM.	OPTIONAL PART					1	
64		18200907		FEED PLATE 12.5				*		1	
65		16572703		METAL				*		1	
66		GBR108450A0		INDEX STARTING SWITCH ASM.						1	
67	D	SM0861201SA		SCREW				*		1	

FEEDER BALL COMPONENTS



FEEDER BALL COMPONENTS

No.	Supply Code	Parts No.	Replacement	Parts name	Remarks	Choice	Step	Level	Cons	Qty	Rep. QTY
1		16577009		FEEDER BOWL						1	
2		GBR01426000		GUIDE PLATE						1	
3		SS4110815SP		SCREW 11/64-40 L=8						2	
4		GBR01441000		BUTTON STANDING PREVENT PLATE						1	
5		NM6060001SC		NUT M6						9	
6		WP0641600SC		WASHEW6.4X12.5X1.6						3	
7		WS0610002KN		SPRING WASHER 6.1X12.2X1.5						3	
8	R	SM0041001SN	SM0041001SC	SCREW M4 L=10						1	1.00
9		18204602		BOWL FIXING KNOB						1	
10		GBR01432000		BOWL FIXING SCREW						1	
11		16577504		SELECTOR PLATE						1	
12		SM4040801SN		SCREW M4 L=8						1	
13		WP0430800SC		WASHER M4						1	
14		GBR01428000		GUIDE PLATE						1	
15		SM4051001SN		SCREW M5						1	
16		16577207		P/F COVER						1	
17		SM0040601SC		SCREW M4X0.7 L=6						4	
18		16577108		P/F INSTALLING BASE						1	
19	R	16579203	40090800	RUBBER VIBRATION INSULATOR						3	1.00
20		16577306		MOUNTING BOLT						3	
21		NM6080001SC		NUT M8X1.25						6	
22		16577405		WASHER						6	
23		18202408		BUTTON GUIDE A						1	
24		WP0320500SC		WASHER M3						2	
25		SM4030601SN		SCREW M3 X 6						2	
26		GBR014220A0		SELECTION PLATE ASM. (SMALL)						1	
27	D	18251553		SELECTION PLATE ASM. (VERY SMA	OPTIONAL PART					1	
28	R	SM0041001SN	SM0041001SC	SCREW M4 L=10						1	1.00
29		WP0450801SD		WASHER 4.5X10X0.8						2	
30		WP0531000SC		WASHER 5.3X10X1						1	
31		WP0841601SC		WASHER8.4X17.4X1.6						1	

TABLE & COVER COMPONENTS

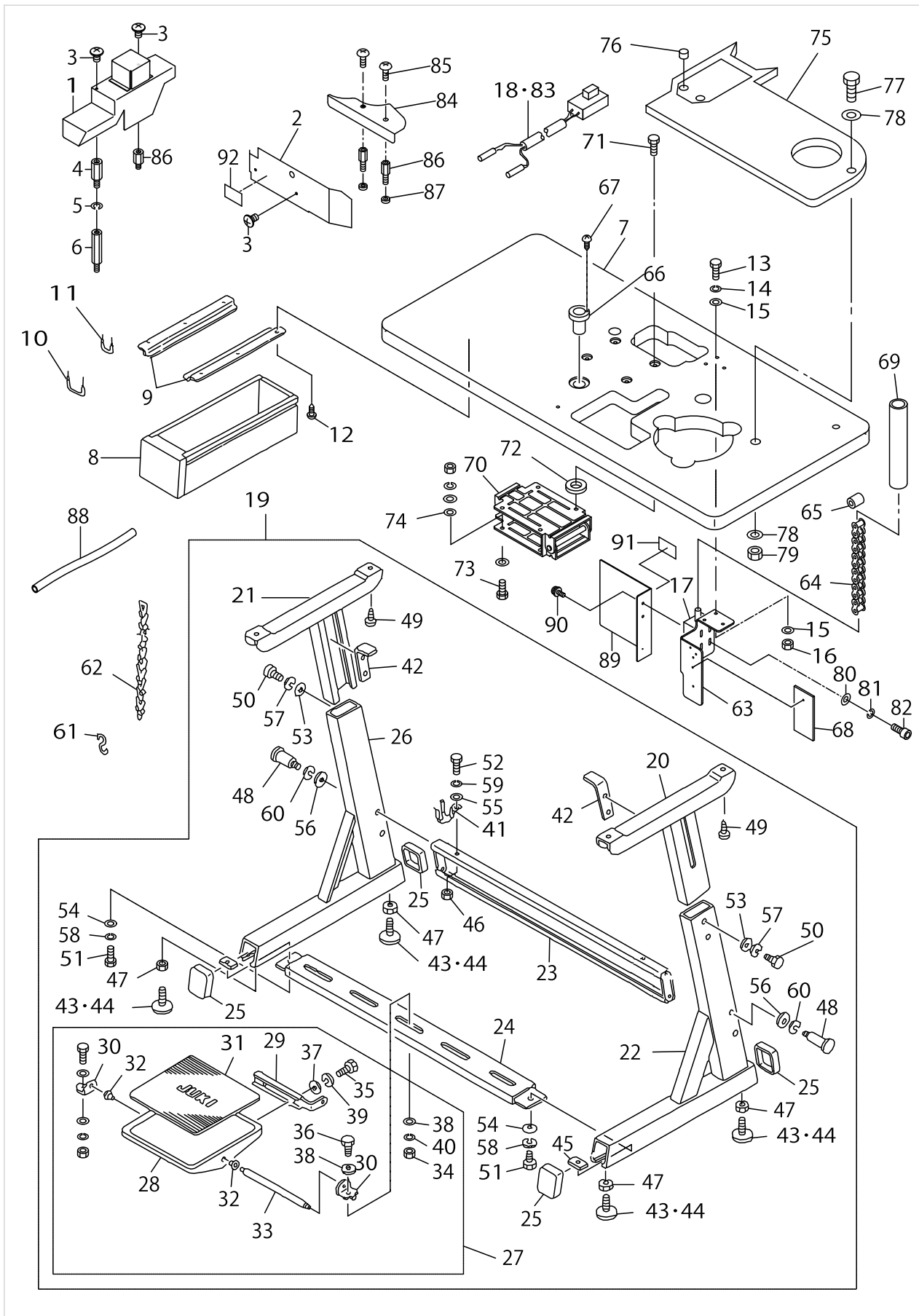


TABLE & COVER COMPONENTS

No.	Supply Code	Parts No.	Replacement	Parts name	Remarks	Choice	Step	Level	Cons	Qty	Rep. QTY
1	D	18228007		COVER	CHANGE F- ROM '92.12					1	
2		18222703		FRONT COVER, B	CHANGE F- ROM '92.12					1	
3		SM0040601SA		SCREW						4	
4	R	18228106	E3724715000	SPACER B						1	1.00
5		WS0410002KN		SPRING WASHER						1	
6		HX00339000B		BOARD PARTS						1	
7		18210203		TABLE						1	
8	R	11155108	11155157	DRAWER						1	1.00
9		11155207		DRAWER SUPPORT						2	
10		D8204555D00		DRAWER STOPPER						3	
11		MAO11532000		CORD STAPLE						4	
12	R	SK3311600SC	SK3311601SE	WOOD SCREW D=3.1 L=16						6	1.00
13	D	SS9165530SP		SCREW 1/4-24 L=55						3	
14		WS0651510KP		SPRING WASHER 6.5X12.5X1.5						3	
15		WP0751576SD		WASHER 7.5X19X1.5						6	
16		NM6080002SE		NUT M8						3	
17	D	GBR206110A0		STARTING MAGNET ASM.						1	
18		GBR208920A0		L-SW CABLE ASM.						1	
19		B8101373NB0		Z-LEG (CONNEC.)						1	
20		B8101373NA0		UPPER LEG, LEFT ASM.				*		1	
21		B8102373NA0		UPPER LEG, RIGHT ASM.				*		1	
22		B8103373NA0		STAY LEFT ASM.				*		1	
23		B8105373NA0		SIDE STAY ASM.				*		1	
24		B8107373NA0		LOWER STAY ASM.				*		1	
25		B8110373N00		CAP				*		4	
26		B8111373NA0		STAY RIGHT ASM.				*		1	
27	D	B8112373NA0		STEPPING PLATE				*		1	
28		11158805		PEDAL				*		1	
29		11158706		PEDAL ADJUSTING PLATE				*		1	
30		11159001		PEDAL SHAFT BRACKET				*		2	
31		11158904		PEDAL MAT				*		1	
32		D8113555B00		PEDAL BUSHING				*		2	
33		D8115555B00		PEDAL SHAFT				*		1	
34		NM6080721SE		NUT M8				*		2	
35		SM9061203SE		SCREW M6 L=12				*		2	
36		SM9082023SE		SCREW M8 L=20				*		2	
37		WP0671016SE		WASHER 6.7X13X1				*		2	
38		WP0871602SE		WASHER 8.7X18X1.6				*		4	
39		WS0621210KR		SPRING WASHER 6.2X11.4X1.2				*		2	
40		WS0861410KR		SPRING WASHER 8.6X15X1.4				*		2	
41		11074408		SUPPORT BASE				*		1	
42	D	B8104552000		TABLE SUPPORT				*		2	
43		B81085550A0		ADJUSTING SCREW ASM. WITH CAP				*		4	
44		B81085550A0		ADJUSTING SCREW ASM. WITH CAP				*		4	
45		B8112552000		LEG BOTTOM SUPPORT BRACKET				*		2	

TABLE & COVER COMPONENTS

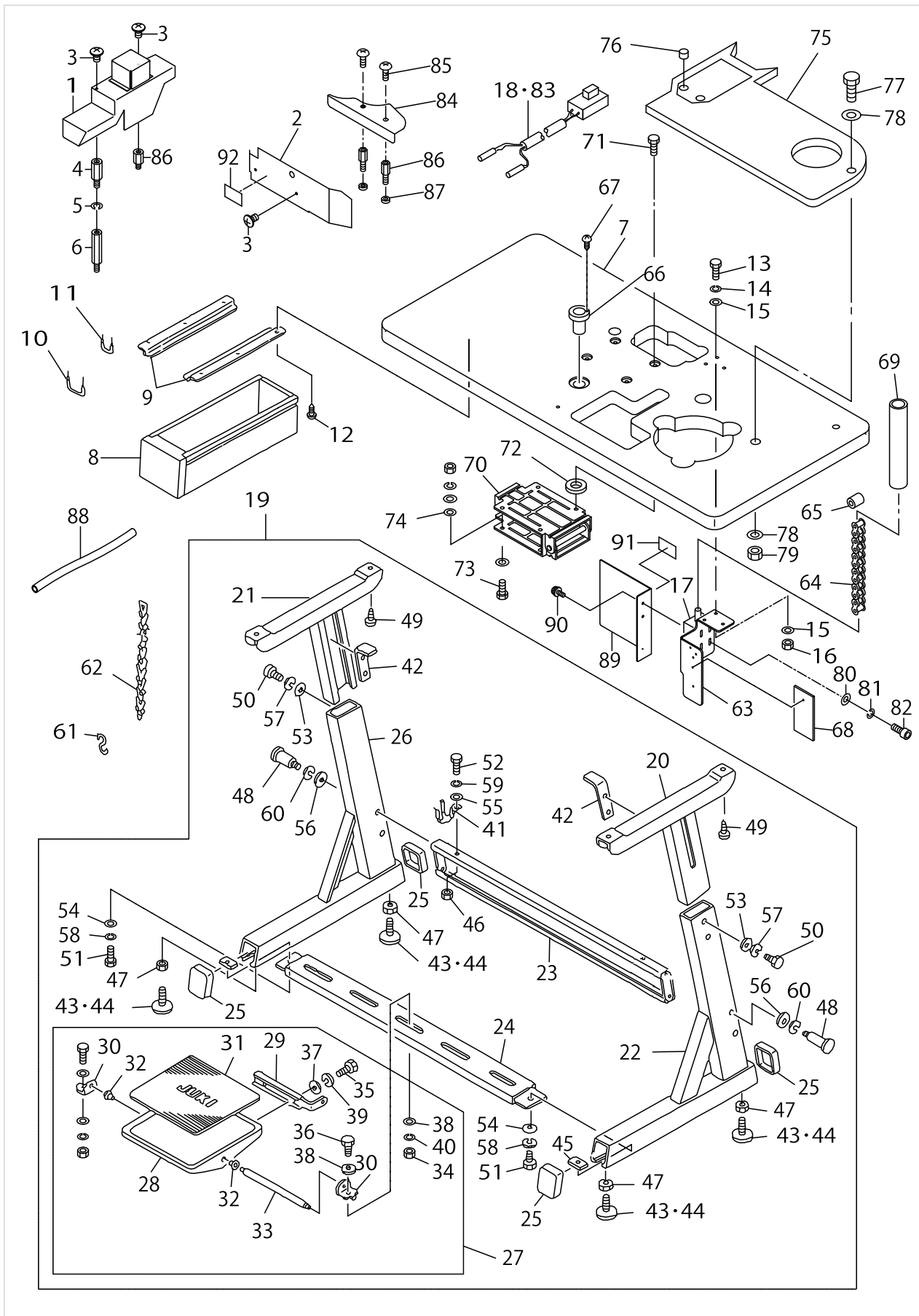


TABLE & COVER COMPONENTS

No.	Supply Code	Parts No.	Replacement	Parts name	Remarks	Choice	Step	Level	Cons	Qty	Rep. QTY
46		NM6080721SE		NUT M8				*		1	
47		NM6120003SE		NUT M12				*		4	
48		SD1204315SE		HINGE SCREW D=12 H=43.1				*		4	
49	D	SK3513800SE		WOOD SCREW 5.1X38				*		4	
50		SM9082023SE		SCREW M8 L=20				*		4	
51		SM9082023SE		SCREW M8 L=20				*		2	
52		SM9082023SE		SCREW M8 L=20				*		1	
53		WP0871602SE		WASHER 8.7X18X1.6				*		4	
54		WP0871602SE		WASHER 8.7X18X1.6				*		2	
55		WP0871602SE		WASHER 8.7X18X1.6				*		1	
56		WP1252210SC		WASHER 12.5X25.6X2.2				*		4	
57		WS0861410KR		SPRING WASHER 8.6X15X1.4				*		4	
58		WS0861410KR		SPRING WASHER 8.6X15X1.4				*		2	
59		WS0861410KR		SPRING WASHER 8.6X15X1.4				*		1	
60		WS1253010KN		SPRING WASHER 12.5X21.5X3				*		4	
61	R	B8133019000	13160304	S SHAPED HOOK						2	1.00
62	R	B8131232000	26037903	CHAIN (1.2M)						1	1.00
63	D	18209908		BRACKET						1	
64		18209205		CHAIN						1	
65	D	18209304		COLLAR						1	
66		B8202205000		OIL MANAGEMENT						1	
67	R	SK3311600SC	SK3311601SE	WOOD SCREW D=3.1 L=16						4	1.00
68	D	18200006		COVER						1	
69	D	18209601		CHAIN COVER						1	
70		B71307610A0		MOTOR BASE ASM.						1	
71		MTJMS00000S		SCREW SET						4	
72		MTJMG000000		RUBBER CUSHION						4	
73	D	BNEGSET0003		SCREW SET						4	
74		WP0851846SC		WASHER 8.5X22.0X1.8						4	
75		18205005		BACE BODY HANDLE PICTURE						1	
76		18209106		FRAME BASE						2	
77		SS9156830SP		SCREW 15/64-28L=68						5	
78		WP0612056SD		WASHER 6.1X18.5X2						10	
79		NS6150310SP		NUT 15/64-28						5	
80		WP0501016SD		WASHER 5X10.5X1						4	
81		WS0510002KP		SPRING WASHER 5.1X9.2X1.3						4	
82		SM6051202TP		SCREW M5X0.8 L=12						4	
83		GBR208920AC		L-SW CABLE C ASM.	FOR JE					1	
84		18222604		FRONT COVER A	CHANGE F- ROM '92.12					1	
85		SM0040601SA		SCREW	CHANGE F- ROM '92.12					2	
86		HX003390000		STUD	CHANGE F- ROM '92.12					3	
87		B3052816000		WASHER	CHANGE F- ROM '92.12					2	
88		E8760452F00		TUBE	FOR JE					.1	
89	D	18215905		MOTOR PULLY COVER	FOR DOME- STIC USE					1	

TABLE & COVER COMPONENTS

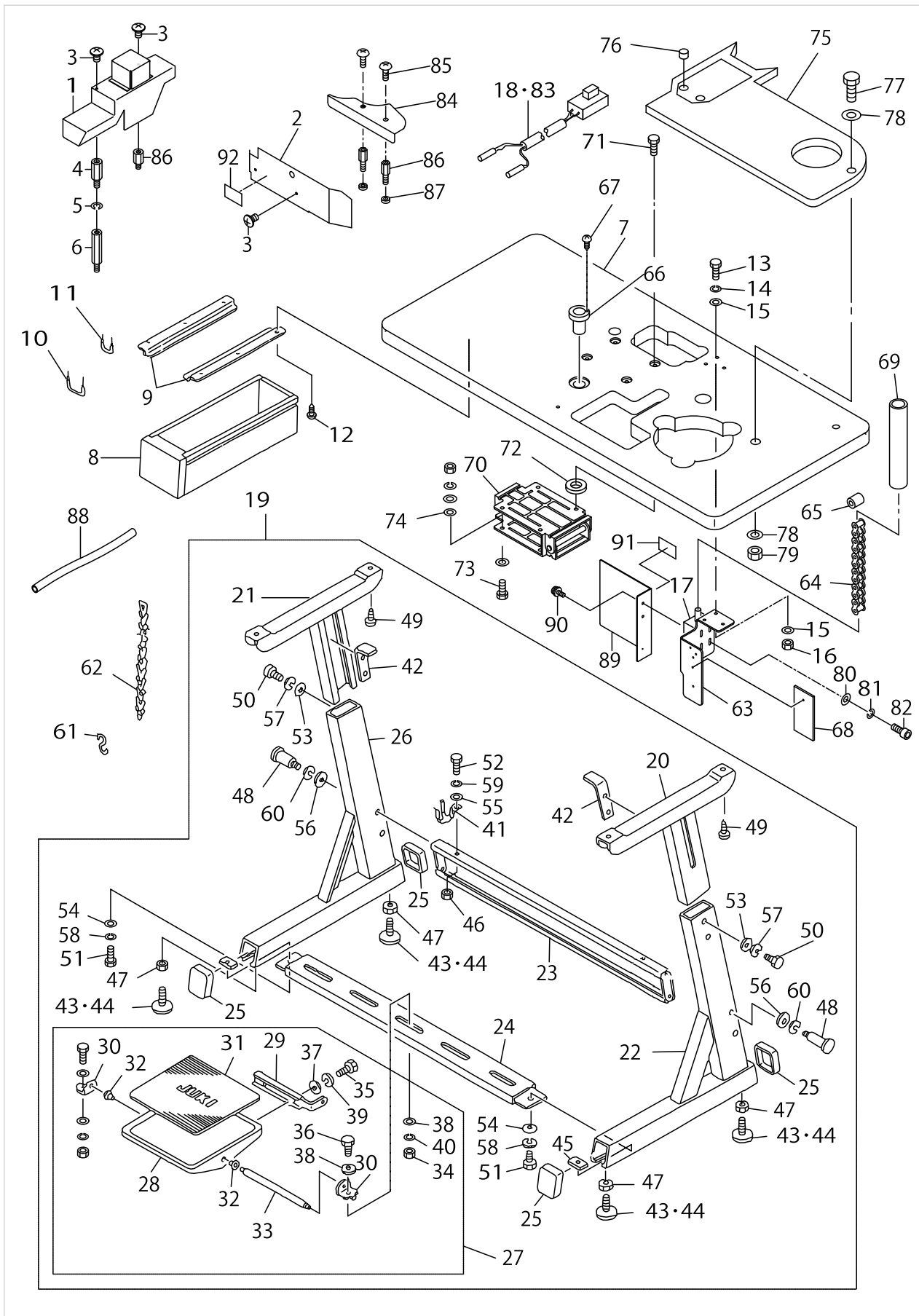
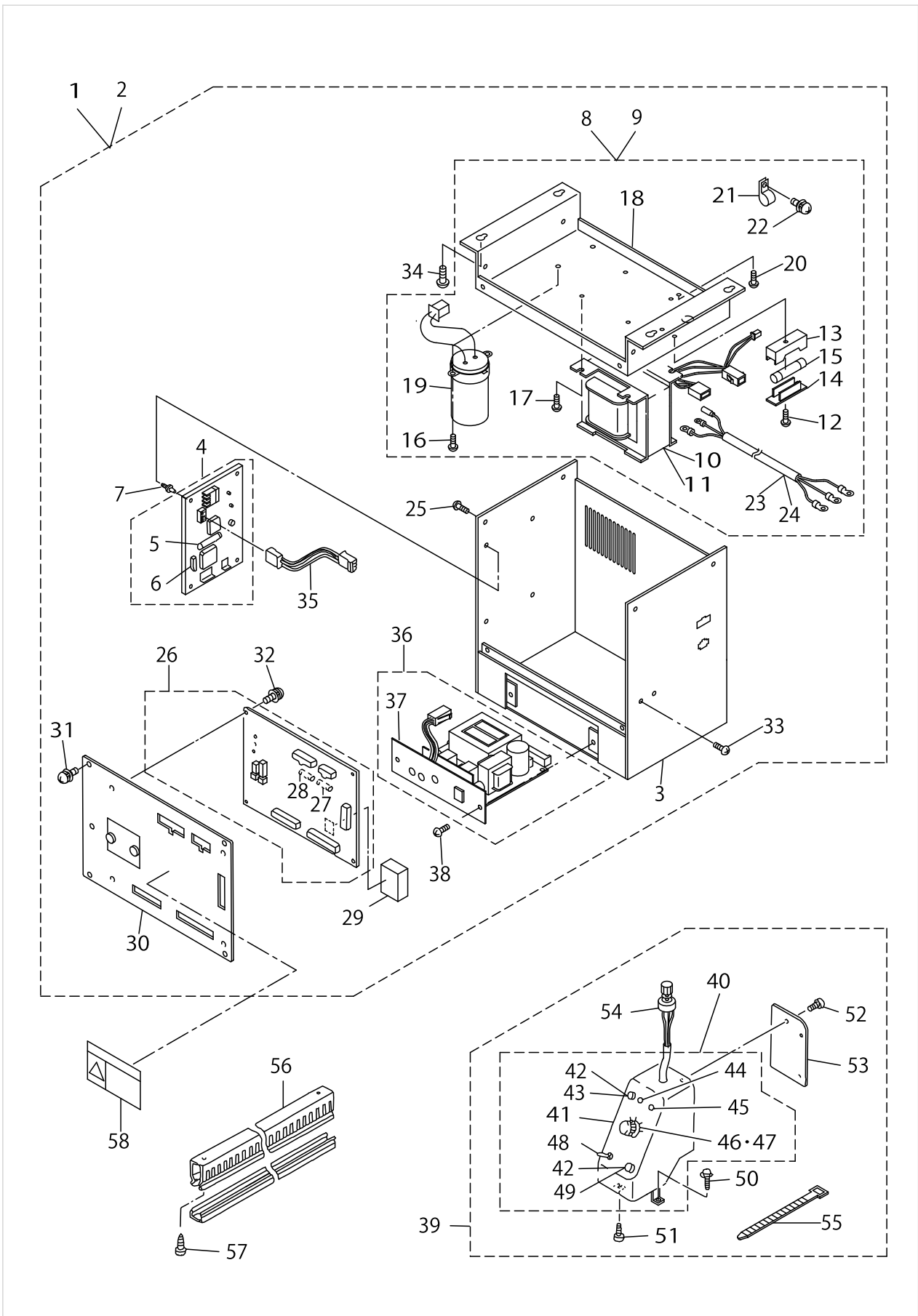


TABLE & COVER COMPONENTS

No.	Supply Code	Parts No.	Replacement	Parts name	Remarks	Choice	Step	Level	Cons	Qty	Rep. QTY
90	D	SL4051081SF		SCREW M5 L=10	FOR DOME- STIC USE					2	
91		CM300600101		LABEL, (SMALL).	FOR DOME- STIC USE					1	
92		CM300200201		SAFETY LABEL 2 (SMALL)	FOR DOME- STIC USE					1	

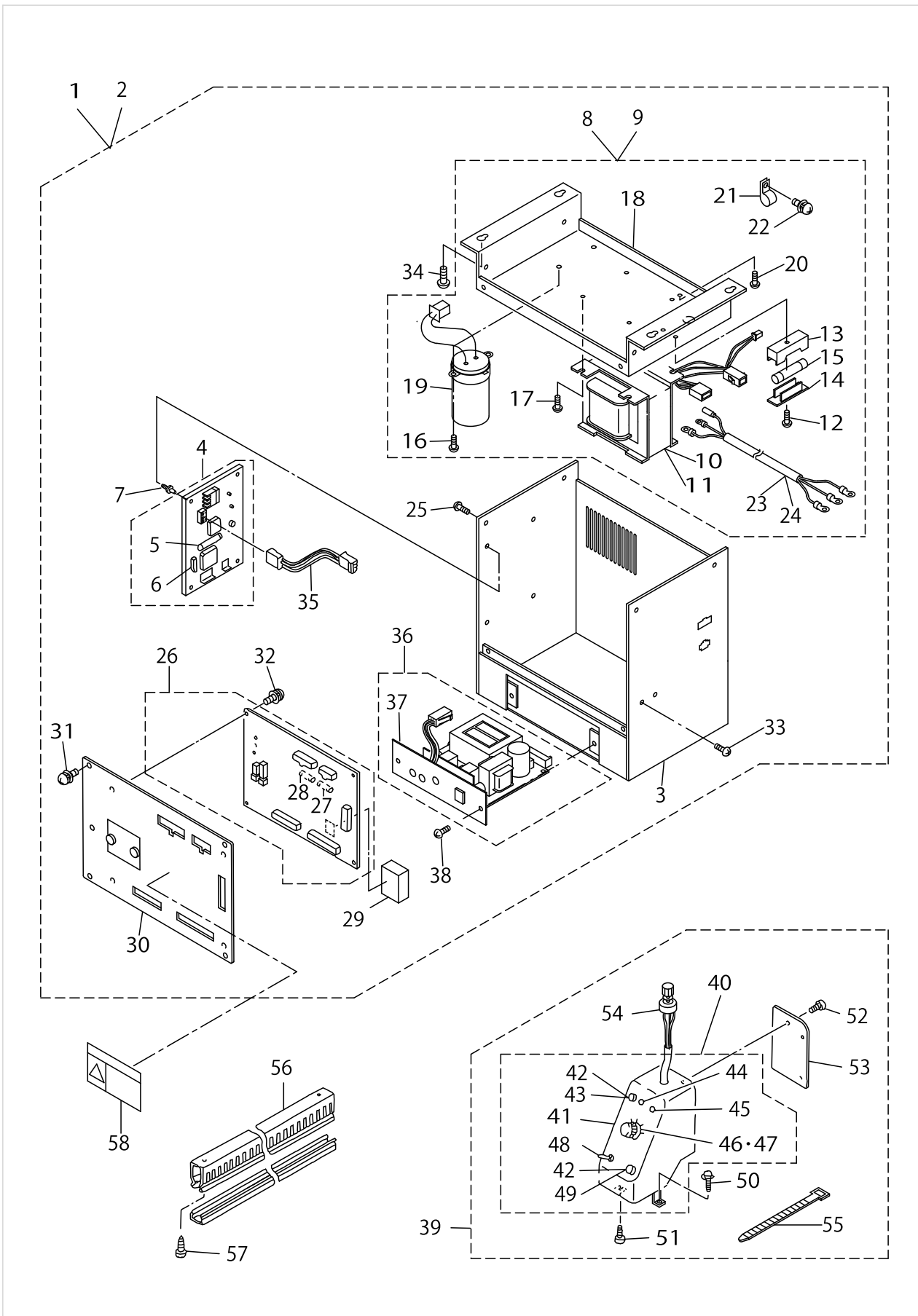
CONTROL BOX COMPONENTS (FOR DOMESTIC USE AND GENERAL EXPORT)



CONTROL BOX COMPONENTS (FOR DOMESTIC USE AND GENERAL EXPORT)

No.	Supply Code	Parts No.	Replacement	Parts name	Remarks	Choice	Step	Level	Cons	Qty	Rep. QTY
1	D	GBR207130AB		ELECTRIC EQUIPMENT BOX B ASM.	FOR 220V,- 240V,380V,- 415V,440V					1	
2	D	GBR207130AA		ELECTRIC EQUIPMENT BOX A ASM.	FOR 100V,- 115V,200V,- 220V,240V					1	
3	D	GBR107240A0		CONTROL BOX FRAME BODY ASM.				*		1	
4	R	GBR107610A0	40046093	POWER BOARD		A		*		1	1.00
4	R	GBR107610A0	40058552	POWER BOARD		A		*		1	1.00
5		E9613601000		FUSE 2A				*		1	
6		HA002980000		BREAKER 5A				*		1	
7		HX00228000A		SPACER				*		4	
8	D	GBR207460AB		TRANS BASE(B) ASM.	FOR 220V,- 240V,380V,- 415V,440V			*		1	
9		GBR207460AA		TRANS BASE(A) ASM.	FOR 100V,- 115V,200V,- 220V,240V			*		1	
10		GBR107480AA		TRANS A ASM.	FOR 100V,- 115V,200V,- 220V,240V			*		1	
11		GBR107480AB		TRANS B ASM.	FOR 220V,- 240V,380V,- 415V,440V			*		1	
12		SM4041001SC		SCREW M4X0.7 L=10				*		1	
13		HF005111000		FUSE HOLDER				*		1	
14	D	HF00511100B		FUSEHOLDERCOVER				*		1	
15		E9613601000		FUSE 2A				*		1	
16		SL4030681SC		SCREW M3 L=6				*		2	
17		SL4030891SC		SCREW M3X8				*		4	
18	D	GBR10747000		TRANSFORMER BASE				*		1	
19	R	GBR107430A0	40058552	CONDENSER ASM.		A		*		1	1.00
19	R	GBR107430A0	40046093	CONDENSER ASM.		A		*		1	1.00
20		SL4040891SC		SCREW M4 L=8				*		1	
21		HX00150000B		CABLE CLIP				*		1	
22		SL4030881SC		SCREW M3X8				*		1	
23	D	GBR207450A0		AC INPUT POWER CORD ASM.	FOR 100V,- 115V,200V,- 220V,240V			*		1	
24	D	GBR207440A0		AC INPUT POWER CORD ASM., B	FOR 220V,- 240V,380V,- 415V,440V			*		1	
25		SL4040891SC		SCREW M4 L=8				*		4	
26	R	GBR107510A0	40058552	CPU BOARD ASM.		A	BR-10	*		1	1.00
26	R	GBR107510A0	40049608	CPU BOARD ASM.		A	BR-10	*		1	1.00
26	R	GBR107510A0	40058552	CPU BOARD ASM.		B	BR-35	*		1	1.00
26	R	GBR107510A0	40044386	CPU BOARD ASM.		B	BR-35	*		1	1.00
26	R	GBR107510A0	40063649	CPU BOARD ASM.		C	BR-20,BR-25,BR-30	*		1	1.00
27		HF0013020P0		FUSE 2A				*		1	
28		HF0013063P0		FUSE 6.3A				*		1	
29	D	HL008730039		IC				*		1	
30		GBR207340A0		CONTROL BOX FRAME COVER ASM.				*		1	
31		SL4040891SC		SCREW M4 L=8				*		4	
32		SL4030681SC		SCREW M3 L=6				*		4	

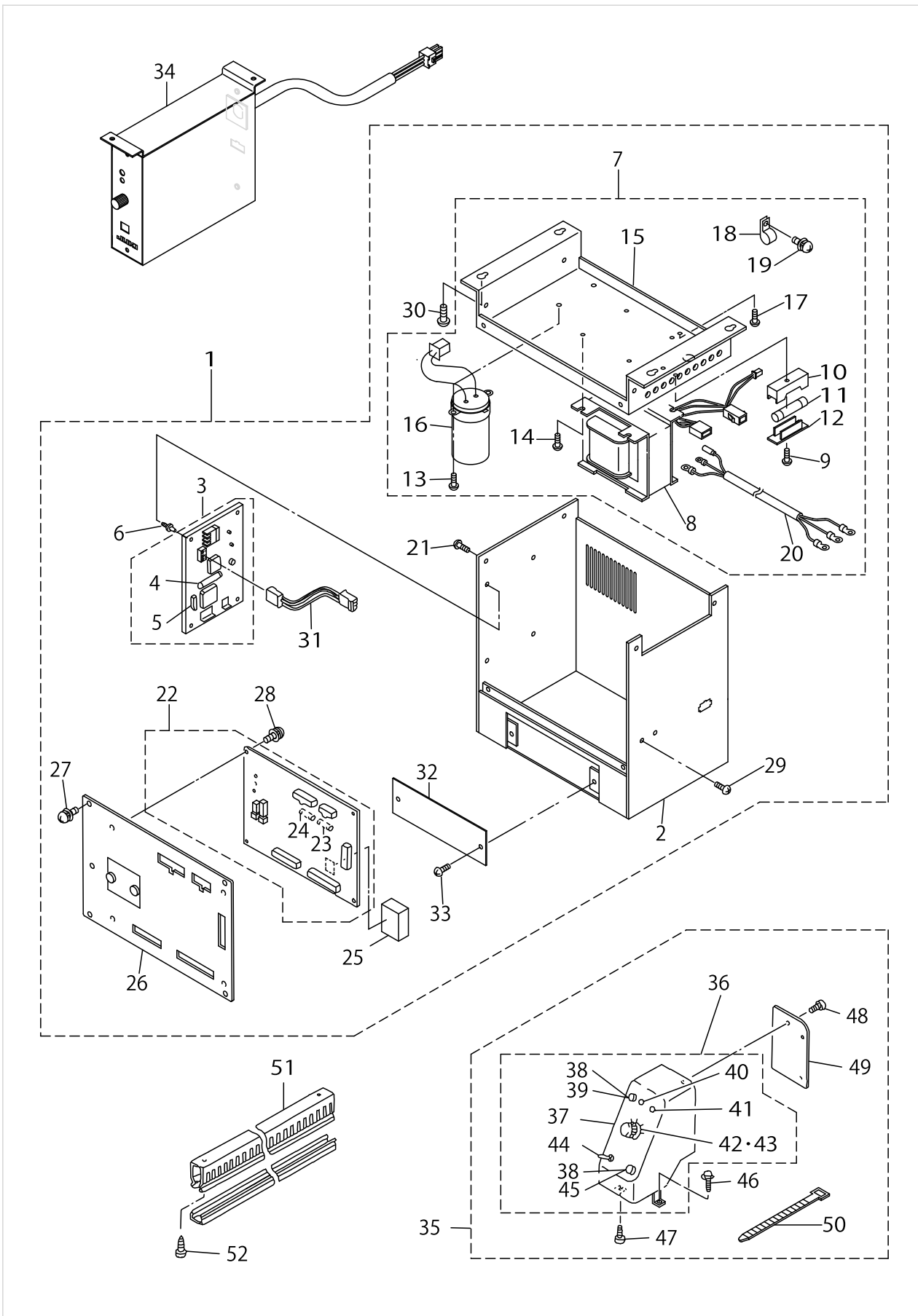
CONTROL BOX COMPONENTS (FOR DOMESTIC USE AND GENERAL EXPORT)



CONTROL BOX COMPONENTS (FOR DOMESTIC USE AND GENERAL EXPORT)

No.	Supply Code	Parts No.	Replacement	Parts name	Remarks	Choice	Step	Level	Cons	Qty	Rep. QTY
33		SL4040891SC		SCREW M4 L=8				*		2	
34		SK3452500SC		WOOD SCREW D=4.5 L=25				*		4	
35		GBR107720A0		CPU BOARD POWER CORD ASM.				*		1	
36		GBR107740A0		P/F CONTROLLER ASM.				*		1	
37		GBR10775000		P/F PANEL				*		1	
38		SM5040601SC		SCREW M4X0.7 L=6				*		2	
39		GBR107840A0		OPERATION PANEL ASM.						1	
40		GBR107850A0		PANEL ASM.				*		1	
41		GBR10786000		PANEL BOX				*		1	
42		HA001910000		PUSH SWITCH 3 TERMINAL				*		2	
43		HA00191001B		OPERATION BUTTON				*		1	
44		HG00291000A		LED (GREEN)				*		1	
45	D	HG002910000		LAMP				*		1	
46		HA002900000		DIP SWITCH				*		1	
47		HX00114000A		KNOB				*		1	
48		MA014506000		SWITCH				*		1	
49		HA00191001C		SWITCH KNOB,BLACK				*		1	
50		SL4041091SC		SCREW M4 X 10				*		1	
51		SM6040802TN		SCREW				*		1	
52		SL4030681SC		SCREW M3 L=6				*		3	
53		GBR10782000		PANEL BOX BACK COVER				*		1	
54		GBR107870A0		VOLUME ASM.				*		1	
55		EA9500B0100		CABLE BAND				*		1	
56	D	GBR10711000		CONDUIT						.2	
57		SK3452500SC		WOOD SCREW D=4.5 L=25						2	
58		CM300100101		DANGER LABEL (SMALL)	FOR DOME- STIC USE					1	

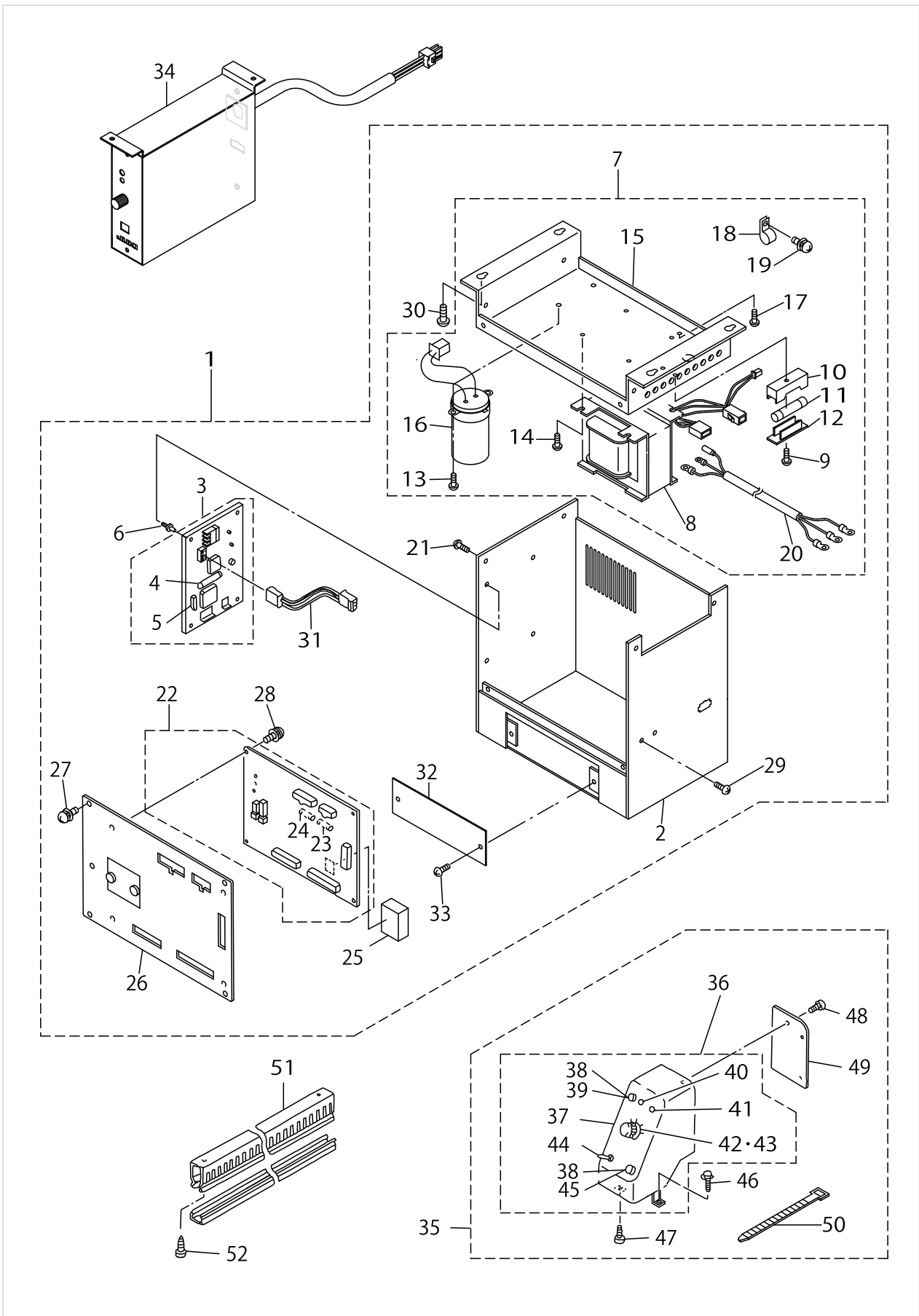
CONTROL BOX COMPONENTS (FOR JE)



CONTROL BOX COMPONENTS (FOR JE)

No.	Supply Code	Parts No.	Replacement	Parts name	Remarks	Choice	Step	Level	Cons	Qty	Rep. QTY
1	D	GBR207130AC		ELECTRICBOXCAS.						1	
2		GBR107240AC		FRAME BODR C ASM.				*		1	
3	R	GBR107610A0	40046093	POWER BOARD		A		*		1	1.00
3	R	GBR107610A0	40058552	POWER BOARD		A		*		1	1.00
4		E9613601000		FUSE 2A				*		1	
5		HA002980000		BREAKER 5A				*		1	
6		HX00228000A		SPACER				*		4	
7		GBR207460AC		TRANSFORMER BASE C WHOLE ASM.				*		1	
8		GBR107480AB		TRANS B ASM.				*		1	
9		SM4041001SC		SCREW M4X0.7 L=10				*		1	
10		HF005111000		FUSE HOLDER				*		1	
11		E9613601000		FUSE 2A				*		1	
12	D	HF00511100B		FUSEHOLDERCOVER				*		1	
13		SL4030681SC		SCREW M3 L=6				*		2	
14		SL4030891SC		SCREW M3X8				*		4	
15	D	GBR10747000		TRANSFORMER BASE				*		1	
16	R	GBR107430A0	40058552	CONDENSER ASM.		A		*		1	1.00
16	R	GBR107430A0	40046093	CONDENSER ASM.		A		*		1	1.00
17		SL4040891SC		SCREW M4 L=8				*		1	
18		HX00150000B		CABLE CLIP				*		1	
19		SL4030881SC		SCREW M3X8				*		1	
20	D	GBR207440A0		AC INPUT POWER CORD ASM., B				*		1	
21		SL4040891SC		SCREW M4 L=8				*		4	
22	R	GBR107510A0	40058552	CPU BOARD ASM.		A	BR-10	*		1	1.00
22	R	GBR107510A0	40049608	CPU BOARD ASM.		A	BR-10	*		1	1.00
22	R	GBR107510A0	40058552	CPU BOARD ASM.		B	BR-35	*		1	1.00
22	R	GBR107510A0	40044386	CPU BOARD ASM.		B	BR-35	*		1	1.00
22	R	GBR107510A0	40063649	CPU BOARD ASM.		C	BR-20, BR-25, BR-30	*		1	1.00
23		HF0013020P0		FUSE 2A				*		1	
24		HF0013063P0		FUSE 6.3A				*		1	
25	D	HL008730039		IC				*		1	
26		GBR207340A0		CONTROL BOX FRAME COVER ASM.				*		1	
27		SL4040891SC		SCREW M4 L=8				*		4	
28		SL4030681SC		SCREW M3 L=6				*		4	
29		SL4040891SC		SCREW M4 L=8				*		2	
30		SK3452500SC		WOOD SCREW D=4.5 L=25				*		4	
31		GBR107720A0		CPU BOARD POWER CORD ASM.				*		1	
32		GBR10726000		BLIND PLATE				*		1	
33		SM5040601SC		SCREW M4X0.7 L=6				*		2	
34	D	GBR208010A0		P1F CONTROLER WHOLE ASM.				*		1	
35	D	GBR107840AC		OPERATION PANEL C COMPLE.				*		1	
36		GBR107850AC		PANEL C ASM.				*		1	
37		GBR10786000		PANEL BOX				*		1	
38		HA001910000		PUSH SWITCH 3 TERMINAL				*		2	
39		HA00191001B		OPERATION BUTTON				*		1	

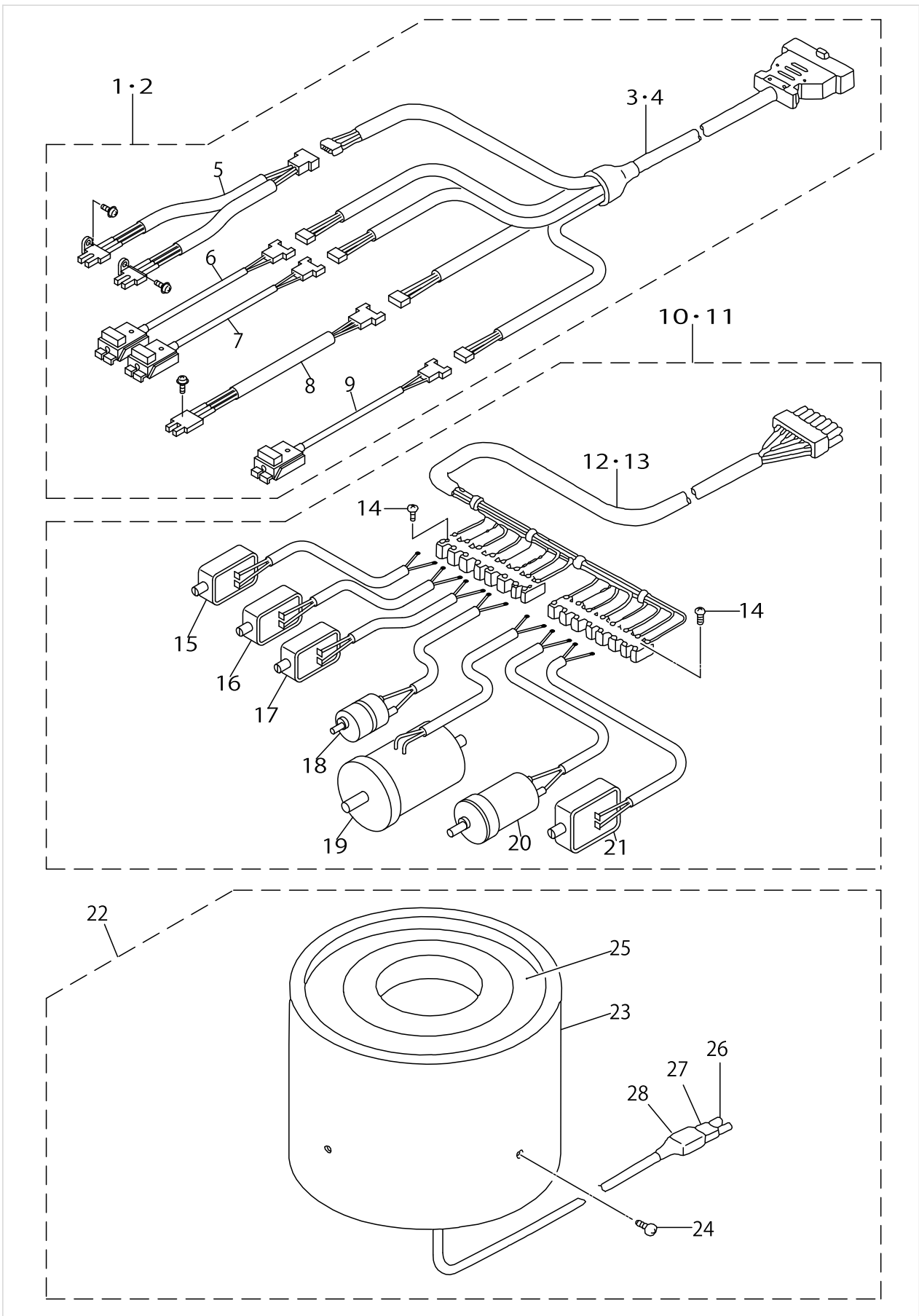
CONTROL BOX COMPONENTS (FOR JE)



CONTROL BOX COMPONENTS (FOR JE)

No.	Supply Code	Parts No.	Replacement	Parts name	Remarks	Choice	Step	Level	Cons	Qty	Rep. QTY
40		HG00291000A		LED (GREEN)				*		1	
41	D	HG002910000		LAMP				*		1	
42		HA002900000		DIP SWITCH				*		1	
43		HX00114000A		KNOB				*		1	
44		MA014506000		SWITCH				*		1	
45		HA00191001C		SWITCH KNOB,BLACK				*		1	
46		SL4041091SC		SCREW M4 X 10				*		1	
47		SM6040802TN		SCREW				*		1	
48		SL4030681SC		SCREW M3 L=6				*		3	
49		GBR10782000		PANEL BOX BACK COVER				*		1	
50		EA9500B0100		CABLE BAND				*		1	
51	D	GBR10711000		CONDUIT						.2	
52		SK3452500SC		WOOD SCREW D=4.5 L=25						2	

POWER SUPPLY CORD COMPONENTS



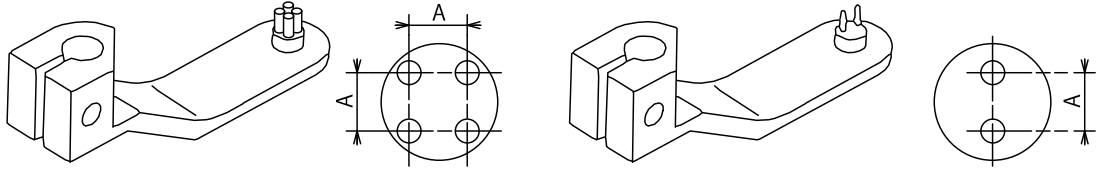
POWER SUPPLY CORD COMPONENTS

No.	Supply Code	Parts No.	Replacement	Parts name	Remarks	Choice	Step	Level	Cons	Qty	Rep. QTY
1		GBR108410B0		BR SENSOR ASM.	FOR DOME- STIC USE AND GENE- RAL EXPORT					1	
2		GBR108410BC		SENSOR CONNECTI- NG CABLE ASM.	FOR JE					1	
3		GBR108460A0		SENSOR CONNECTI- NG CABLE ASM.	FOR DOME- STIC USE AND GENE- RAL EXPORT			*		1	
4		GBR108460AC		SENSOR CONNECTI- NG CABLE ASM.	FOR JE			*		1	
5	R	GBR108420A0	GBR108410B0	START SWITCH ASM.		A	JE以外/Except JE	*		1	1.00
5	R	GBR108420A0	GBR108410BC	START SWITCH ASM.		B	JE	*		1	1.00
6		GBR108430A0		RUB COMPLETION SWITCH ASM.				*		1	
7		GBR108440A0		BUTTON SENSOR SWITCH ASM.				*		1	
8	R	GBR108470A0	40084371	TURNING ARM HOM- E POSITION SENS				*		1	1.00
9		GBR108450A0		INDEX STARTING SWITCH ASM.				*		1	
10		GBR208510A0		BR DRIVING SOURCE WHOLE ASM.	FOR DOME- STIC USE AND GENE- RAL EXPORT					1	
11		GBR208510AC		BR DRIVING SOUR- CE C WHOLE ASM.	FOR JE					1	
12	D	GBR208580A0		STARTING MAGNET CABLE ASM.	FOR DOME- STIC USE AND GENE- RAL EXPORT			*		1	
13		GBR208580AC		STARTING MAGNET CABLE C ASM.	FOR JE			*		1	
14		SL4030881SC		SCREW M3X8				*		2	
15		GBR10852000		MAGNET				*		1	
16		GBR10853000		MAGNET				*		1	
17		GBR10854000		MAGNET				*		1	
18		GBR108550A0		DC MOTOR ASM.				*		1	
19	R	GBR108590A0	HM000670000	DC MOTOR ASM.				*		1	1.00
20		GBR108560A0		DC MOTOR ASM.				*		1	
21		GBR10857000		MAGNET				*		1	
22		GBR107910A0		PARTS FEEDER ALL ASM.						1	
23		16577207		P/F COVER				*		1	
24		SM0040601SC		SCREW M4X0.7 L=6				*		4	
25		GBR10791000		PARTS FEEDER				*		1	
26		HK004440020		2-POLE RECEPTACLE				*		1	
27		D6042555B00		PIN TERMINAL, FEMALE				*		2	
28		HK004490020		CONNECTOR COVER				*		1	

BUTTON CLAMP MECHANISM COMPONENTS

No.	Supply Code	Parts No.	Replacement	Parts name	Remarks	Choice	Step	Level	Cons	Qty	Rep. QTY
1		18208801		SOLENOID PLATE						1	
2		SM6051002TP		SCREW M5X0.8 L=10						4	
3		SM6051552TP		SCREW M5 L=15						3	
4		WS0510002KN		SPRING WASHER						3	
5		WP0531000SC		WASHER 5.3X10X1						3	
6		16582801		LINK LEVER						1	
7		16583106		LINK SHAFT						1	
8		16583304		LEVER PIN						1	
9		RE0400000K0		E-RING 4						2	
10		GBR10857000		MAGNET						1	
11		16582009		SWITCH LINK						1	
12		NS6150430SP		NUT 15/64-28						1	
13		SD0700332SP		HINGE SCREW D= 7 H= 3.5						1	
14		18219907		TWO-STEP SWITCH LEVER						1	
15		16583403		METAL						1	
16		16582504		SCREW						1	
17		16582603		SWITCH BRACKET						1	
18	R	GBR108420A0	GBR108410B0	START SWITCH ASM.		A	JE以外/Except JE			1	1.00
18	R	GBR108420A0	GBR108410BC	START SWITCH ASM.		B	JE			1	1.00
19		SL4030881SC		SCREW M3X8						4	
20		SM6051602TP		SCREW M5X0.8 L=16						2	
21		WS0510002KN		SPRING WASHER						2	
22		WP0531000SC		WASHER 5.3X10X1						2	
23		NM6060001SC		NUT M6						1	
24		16582702		SWITCH COVER						1	
25		SM0040801SC		SCREW						2	
26	D	SM9042510SC		SCREW M4X0.7 L=25						1	
27		NM6040001SC		NUT M4						1	

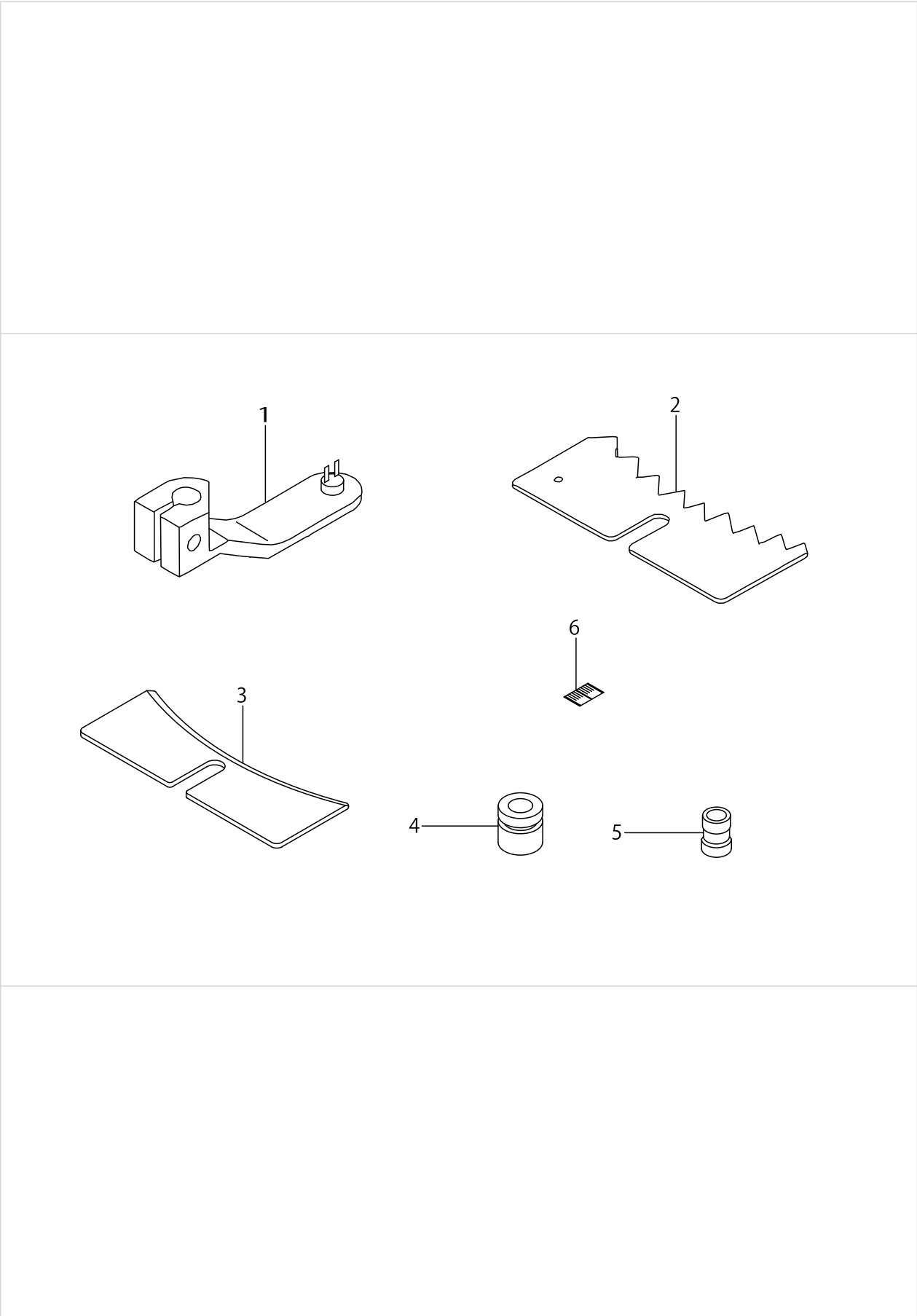
SELECTIVE PARTS



Symbol 記号	Part No. 品番	A measure A寸法	Wire diameter 線径	Hole count 穴数	Spec 仕様
A	165-57902	2.6	1.0	4	Standard spec 標準仕様
B	165-58009	3.2	1.2	2	
C	165-87107	3.8	1.2	2	Special order spec 特注仕様
D	165-87206	3.1	1.0	4	
E	165-87305	2.0	1.0	2	
F	165-87404	2.2	1.0	2	
G	165-87503	2.4	1.0	2	
H	165-87602	2.6	1.0	2	
J	165-87701	2.8	1.0	2	
K	165-87800	3.0	1.0	2	
L	165-87909	2.4	1.2	2	
M	165-88006	2.6	1.2	2	
N	165-88105	2.8	1.2	2	
P	165-88204	3.0	1.2	2	
Q	165-90507	2.0	1.0	4	
R	165-90606	2.2	1.0	4	
S	165-88501	2.4	1.0	4	
T	165-88600	2.4	1.2	4	
U	165-88709	2.6	1.2	4	
V	165-88808	2.8	1.2	4	
W	165-88907	3.0	1.2	4	
X	165-89004	3.1	1.2	4	
*Y	165-89103	2.6	1.2	(Spacer)4	
Z	165-89202	3.1	1.4	4	
E1	165-89707	4.0	1.2	4	
F1	165-89806	3.0	1.5	4	
G1	165-89905	3.2	Taper	4	
H1	165-90705	3.6	1.2	4	

* The standard amount of space between the bottom face of the button and the material surface is specified to 2 mm.
Part numbers of the parts provided with the aforementioned space are as follows:
B2555-372-ROJ Button clamp jaw lever (left).
B2557-372-ROJ Button clamp jaw lever (right).
浮かし量は2mmを標準とし、浮かし対象品番は、次の通りです。
B2555-372-ROJ つまみ足 (左)
B2557-372-ROJ つまみ足 (右)

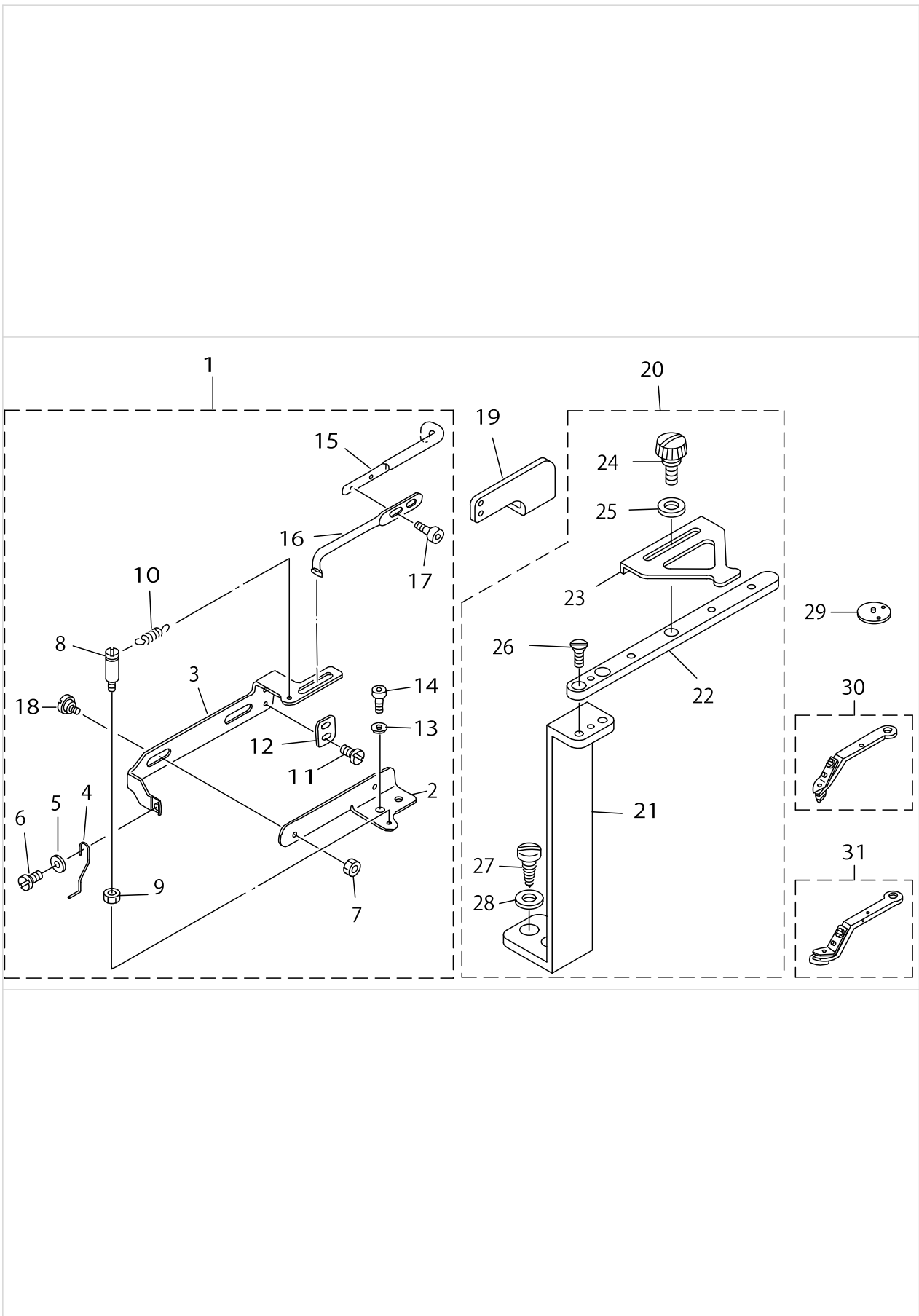
ACCESSORIES COMPONENTS



ACCESSORIES COMPONENTS

No.	Supply Code	Parts No.	Replacement	Parts name	Remarks	Choice	Step	Level	Cons	Qty	Rep. QTY
1		16558009		BUTTON CARRIER B						1	
2		GBR01423000		SELECTOR PLATE, MEDIUM						1	
3		GBR01437000		AUXILIARY PLATE						1	
4		16558108		RING, SMALL						1	
5		18200501		WORK ATTACHMENT (SMALL)						3	
6		18204701		SCALE						4	

SPECIAL ORDER PARTS COMPONENTS



SPECIAL ORDER PARTS COMPONENTS

No.	Supply Code	Parts No.	Replacement	Parts name	Remarks	Choice	Step	Level	Cons	Qty	Rep. QTY
1		13810551		BUTTON RISING ROD JUNCTION						1	
2		13810601		SUPPORT BASE				*		1	
3		13810700		MOUNTING PLATE				*		1	
4		13810502		SAVE BUTTON BAR				*		1	
5		WP0370316SD		WASHER 3.7X8X0.3				*		1	
6		SS6080410SP		SCREW 1/8-44 L=4				*		1	
7		NS6110420SP		NUT 11/64-40				*		2	
8		13737507		SUSPENSION SCREW B				*		1	
9		NS6120310SP		NUT 3/16-28				*		1	
10		13525001		SPRING				*		1	
11		SS7090410SP		SCREW 9/64-40 L=3.5				*		2	
12		13810809		STOPPER				*		1	
13		WP0482086SD		WASHER 4.8X11.5X2				*		2	
14		SS6111052TP		SCREW				*		2	
15		13810908		MOVINGPLATELINKA				*		1	
16		13811005		MOVINGPLATELINKB				*		1	
17		SS6090612TP		SCREW 9/64-40 L=6				*		2	
18		SD0720221SP		HINGE SCREW D= 7.24 H= 2.2				*		2	
19		13811807		KNEE LIFTER LIFTING PLATE						1	
20		MAQ124000A0		BUTTON SPACER						1	
21		MAQ12401000		SPACER MOUNTING BRACKET				*		1	
22		MAQ12302000		BUTTON SPACER MOUNT PLATE				*		1	
23		MAQ05003000		SPACER T=1.2				*		1	
24		MAXBS200S5X		GUIDE PLATE SETSCREW L=5				*		1	
25		WP0501016SC		WASHER 5X10.5X1				*		1	
26		SS1090510SP		SCREW 9/64-40 L=5				*		2	
27	R	SK3381300SC	SK3381301SE	WOOD SCREW D=3.8 L=13				*		2	1.00
28		WP0410846SC		WASHER				*		2	
29		D2426284Y00		NEEDLE HOLE GUIDE						1	
30	R	MAZ0882200A	MAZ088220AA	LARGE BUTTON CLAMP, LEFT						1	1.00
31	R	MAZ0882300A	MAZ088230AA	LARGE BUTTON CLAMP, RIGHT						1	1.00

HOW TO MAKE USE OF THIS PARTS LIST

1.As to "#01" and "#02" refer to the "Note" given at the bottom of the respective pages.

2.Codes on the "Qty" column

- Each numeral indicates the number of parts required.
- "0.1" and "2.5" indicate the length (in meters) of the respective parts.

3.Parentheses mean that the corresponding part is a subpart that constructs an assembly part.

4.Dotted lines on the Figures indicate assembly parts.

1. リストページの# 0 1、# 0 2の印は、ページ下の"注記"の説明を参照下さい。
2. 数量欄の数字は、個数を表し、0. 1、2. 5等の数値は、長さ（単位メートル）を表します。
3. 数量欄の（ ）は、組部品を構成している子部品であることを意味します。
4. イラストページの-----枠は、組構成であることを意味します。

Other parts list related to this model.

この機種に関するパーツリストとして下記のパーツリストがあります。

1.LK-1850 Series(No.0540)

High speed 1-needle cylinder bed lockstitch bar tacking industrial sewing machine

高速一本針本縫筒型門止めミシン

NUMERICAL INDEX OF PARTS

PART NO	PAGE	REF NO.	PART NO	PAGE	REF NO.	PART NO	PAGE	REF NO.
10519205	10	19	13808902	12	22	13814405	32	15
11074408	54	41	13809009	12	4	13814504	32	9
11110707	40	62	13809157	12	7	13814603	32	18
11155108	54	8	13809207	16	4	13814702	32	7
11155207	54	9	13809306	16	1	13814801	32	16
11158706	54	29	13809405	16	2	13814900	32	8
11158805	54	28	13809504	16	5	13815006	32	17
11158904	54	31	13809553	16	3	13815105	32	1
11159001	54	30	13809603	16	23	13815204	32	4
13516505	16	26	13809702	16	24	13815303	32	13
13517206	16	27	13809801	16	6	13815451	32	2
13517404	16	10	13809900	16	7	13815550	32	5
13525001	75	10	13810007	16	8	13815659	32	14
13540901	24	33	13810106	16	9	13815709	32	10
13541305	10	4	13810205	16	25	13816608	2	5
13551205	2	32	13810312	24	1	13816756	2	4
13551254	2	21	13810403	24	2	13816855	2	6
13737507	12	28	13810502	75	4	13817408	10	25
13737507	75	8	13810551	75	1	13817457	10	20
13805106	2	1	13810601	75	2	13943204	2	26
13805205	2	2	13810700	75	3	16550105	34	38
13805304	2	3	13810809	75	12	16550204	38	42
13805601	10	1	13810908	75	15	16550402	38	40
13805700	10	2	13811005	75	16	16551806	38	30
13805809	10	3	13811807	75	19	16551905	38	16
13806005	10	10	13811906	26	57	16552309	38	21
13806104	14	5	13812003	26	58	16552507	34	1
13806203	14	1	13812102	8	7	16552606	34	10
13806302	14	2	13812508	20	1	16553208	34	21
13806450	14	3	13812607	20	2	16553208	44	5
13806559	14	4	13812706	20	3	16553307	34	22
13807052	10	12	13812805	20	4	16553406	36	56
13807102	10	13	13812904	20	5	16553505	36	57
13807201	10	14	13813001	20	6	16554008	34	47
13807300	10	15	13813159	20	7	16554008	36	47
13807409	10	16	13813209	20	8	16554008	44	38
13807508	10	17	13813308	20	9	16554503	34	30
13807904	10	40	13813407	20	10	16556300	38	44
13808001	12	10	13813506	20	20	16556409	38	43
13808159	12	1	13813613	22	3	16556607	38	34
13808308	12	26	13813704	22	1	16556706	34	14
13808407	12	20	13813803	22	2	16556805	34	25
13808506	12	16	13814108	32	12	16557209	34	4
13808704	12	5	13814207	32	3	16557209	46	68
13808852	12	17	13814306	32	6	16557308	38	15

NUMERICAL INDEX OF PARTS

PART NO	PAGE	REF NO.	PART NO	PAGE	REF NO.	PART NO	PAGE	REF NO.
16557407	38	4	16570707	48	33	18202150	46	53
16557506	34	29	16570905	48	37	18202408	52	23
16557605	34	34	16571408	50	49	18203307	48	4
16557902	38	9	16571507	48	43	18204107	44	34
16558009	73	1	16571804	48	45	18204503	48	25
16558108	73	4	16571903	48	15	18204602	52	9
16558801	38	17	16572406	44	24	18204701	73	6
16559007	34	31	16572505	44	41	18205005	56	75
16559601	34	45	16572703	48	65	18205401	38	26
16560104	42	14	16572703	50	65	18205609	38	20
16560203	42	32	16573008	48	14	18205708	38	12
16560302	42	21	16573305	44	44	18205906	38	6
16561607	42	15	16573701	48	2	18206003	38	1
16561904	42	25	16573800	48	10	18206201	40	53
16562001	42	18	16573909	48	46	18206409	38	7
16562100	42	23	16574006	44	18	18206656	38	11
16562308	42	20	16574105	44	3	18206706	34	24
16562407	42	19	16577009	52	1	18206904	34	36
16562803	42	4	16577108	52	18	18207209	42	11
16562902	42	6	16577207	52	16	18207506	42	13
16565400	46	54	16577207	68	23	18207902	34	17
16565509	46	55	16577306	52	20	18208801	70	1
16565707	44	7	16577405	52	22	18208900	26	67
16565905	44	22	16577504	52	11	18209007	26	68
16566002	44	4	16579203	52	19	18209106	56	76
16566408	44	25	16582009	70	11	18209205	56	64
16566507	44	1	16582504	70	16	18209304	56	65
16566606	44	10	16582603	70	17	18209403	46	52
16567000	44	14	16582702	70	24	18209502	44	35
16567166	44	31	16582801	70	6	18209601	56	69
16567802	44	40	16583106	70	7	18209908	56	63
16567901	44	43	16583304	70	8	18210203	54	7
16568206	46	51	16583403	70	15	18212506	42	8
16568404	48	30	18200006	56	68	18212902	50	50
16568602	50	61	18200303	48	29	18215905	56	89
16568651	50	60	18200352	48	27	18217505	44	39
16568909	48	26	18200501	38	19	18217752	34	33
16569204	48	11	18200501	73	5	18217950	42	3
16569501	48	18	18200907	50	64	18218008	44	28
16569600	48	17	18200956	50	63	18218206	34	3
16570103	48	21	18201103	50	53	18218909	44	6
16570202	48	22	18201608	44	27	18219006	34	35
16570301	48	23	18201905	48	6	18219204	44	37
16570509	50	48	18201962	48	1	18219402	36	55
16570657	50	51	18202002	48	7	18219501	48	20

NUMERICAL INDEX OF PARTS

PART NO	PAGE	REF NO.	PART NO	PAGE	REF NO.	PART NO	PAGE	REF NO.
18219600	48	40	B3121980000	2	16	CM300100101	62	58
18219709	34	2	B3123372000	2	17	CM300200102	2	35
18219808	34	12	B3125012000	26	59	CM3002001A2	2	36
18219907	70	14	B3125155000	2	14	CM300200201	58	92
18222604	56	84	B3125155000	16	12	CM300600101	58	91
18222703	54	2	B3126012000	10	27	CS1001011SH	10	5
18227553	42	9	B3132552000	10	29	D1401L7VV00	8	8
18227603	26	61	B32012100A0	4	17	D1405M7WF00	8	1
18227702	34	42	B3203210000	4	19	D1901L7VVB0	8	3
18227850	34	8	B3204210000	4	3	D1904L7VV00	8	4
18227959	38	5	B3205210000	4	20	D1906L7VV00	8	5
18228007	54	1	B3206210000	4	9	D2426284Y00	75	29
18228106	54	4	B3207210000	4	13	D2427555B00B	20	14
18251553	52	27	B3208210000	4	11	D2430555B00	4	14
B1110280000	20	11	B3208280000	4	16	D2502232D00	24	11
B1123280000	12	24	B3209210000	4	10	D2505232D00	24	9
B1240980000	32	11	B3210210000	4	4	D2527232D00	26	60
B1414232000	16	29	B3211210000	4	7	D2528232D00	26	51
B141423200A	16	28	B3212210000	4	8	D2548232D00	24	34
B1506352000	2	29	B3212761000	4	2	D2572M1YC0F	26	49
B1649161000	40	64	B3213210000	14	6	D2713M1YCA0	20	15
B1663804000	16	11	B3214047000	4	24	D3162555B00	12	18
B18289800BB	8	6	B3214047000	12	11	D6042555B00	68	27
B2107816000	44	8	B3216047000	4	26	D8113555B00	54	32
B2107816000	50	56	B3218232000	4	25	D8115555B00	54	33
B2303220000	10	22	B3218232000	12	9	D8204555D00	54	10
B2303280000	10	31	B3219232000	4	23	E5006171000	40	57
B2313280000	10	21	B3518352000	20	13	E8760452F00	56	88
B2351180000	12	12	B71307610A0	56	70	E9613601000	60	15
B242328000D	20	12	B8101373NA0	54	20	E9613601000	64	11
B2548372RA0	26	48	B8101373NB0	54	19	EA9500B0100	62	55
B2549372R00	24	39	B8102373NA0	54	21	EA9500B0100	66	50
B2553372000	24	36	B8103373NA0	54	22	GAF010020B0	16	35
B2559372000	24	23	B8104552000	54	42	GAF01007000	16	39
B2559372000	28	12	B8105373NA0	54	23	GAF01009000	16	40
B2560372000	24	37	B8107373NA0	54	24	GAF01012000	18	47
B3052816000	56	87	B81085550A0	54	43-44	GBR01120000	42	1
B3101280000	2	19	B8110373N00	54	25	GBR01126000A	42	10
B31012800A0	2	9	B8111373NA0	54	26	GBR01160000	26	62
B3107804000	10	24	B8112373NA0	54	27	GBR01168000	42	17
B3112761000	10	23	B8112552000	54	45	GBR01175000	38	46
B3114232000	10	28	B8131232000	56	62	GBR014220A0	52	26
B3120125000	10	26	B8133019000	56	61	GBR01423000	73	2
B3120372000	2	22	B8202205000	56	66	GBR01426000	52	2
B3121372000	2	28	BNEGSET0003	56	73	GBR01428000	52	14

NUMERICAL INDEX OF PARTS

PART NO	PAGE	REF NO.	PART NO	PAGE	REF NO.	PART NO	PAGE	REF NO.
GBR01432000	52	10	GBR108450A0	50	66	HA001910000	62	42
GBR01437000	73	3	GBR108450A0	68	9	HA001910000	64	38
GBR01441000	52	4	GBR108460A0	68	3-4	HA00191001B	62	43
GBR01601000A	26	46	GBR108460AC	68	3-4	HA00191001B	64	39
GBR01606000	24	43	GBR108470A0	68	8	HA00191001C	62	49
GBR01607000	24	44	GBR10852000	34	6	HA00191001C	66	45
GBR10711000	62	56	GBR10852000	68	15	HA002900000	62	46-47
GBR10711000	66	51	GBR10853000	46	50	HA002900000	66	42-43
GBR107240A0	60	3	GBR10853000	68	16	HA002980000	60	6
GBR107240AC	64	2	GBR10854000	46	56	HA002980000	64	5
GBR10726000	64	32	GBR10854000	68	17	HD000360000	42	28
GBR107430A0	60	19	GBR108550A0	40	50	HF0013020P0	60	27
GBR107430A0	64	16	GBR108550A0	68	18	HF0013020P0	64	23
GBR10747000	60	18	GBR108560A0	50	47	HF0013063P0	60	28
GBR10747000	64	15	GBR108560A0	68	20	HF0013063P0	64	24
GBR107480AA	60	10	GBR10857000	68	21	HF005111000	60	13
GBR107480AB	60	11	GBR10857000	70	10	HF005111000	64	10
GBR107480AB	64	8	GBR108590A0	42	27	HF00511100B	60	14
GBR107510A0	60	26	GBR108590A0	68	19	HF00511100B	64	12
GBR107510A0	64	22	GBR11109000	40	54	HG002910000	62	45
GBR107610A0	60	4	GBR11110000	40	51	HG002910000	66	41
GBR107610A0	64	3	GBR11111000	40	55	HG00291000A	62	44
GBR107720A0	62	35	GBR11112000	40	67	HG00291000A	66	40
GBR107720A0	64	31	GBR11113000	40	66	HK004440020	68	26
GBR107740A0	62	36	GBR11114000	40	56	HK004490020	68	28
GBR10775000	62	37	GBR206110A0	54	17	HL008730039	60	29
GBR10782000	62	53	GBR207130AA	60	2	HL008730039	64	25
GBR10782000	66	49	GBR207130AB	60	1	HX00114000A	62	46-47
GBR107840A0	62	39	GBR207130AC	64	1	HX00114000A	66	42-43
GBR107840AC	64	35	GBR207340A0	60	30	HX00150000B	60	21
GBR107850A0	62	40	GBR207340A0	64	26	HX00150000B	64	18
GBR107850AC	64	36	GBR207440A0	60	24	HX00228000A	60	7
GBR10786000	62	41	GBR207440A0	64	20	HX00228000A	64	6
GBR10786000	64	37	GBR207450A0	60	23	HX003330000	6	6
GBR107870A0	62	54	GBR207460AA	60	9	HX003390000	56	86
GBR10791000	68	25	GBR207460AB	60	8	HX00339000B	54	6
GBR107910A0	68	22	GBR207460AC	64	7	MAO11532000	54	11
GBR108410B0	68	1-2	GBR208010A0	64	34	MAO14506000	62	48
GBR108410BC	68	1-2	GBR208510A0	68	10-11	MAO14506000	66	44
GBR108420A0	68	5	GBR208510AC	68	10-11	MAQ05003000	75	23
GBR108420A0	70	18	GBR208580A0	68	12-13	MAQ12302000	75	22
GBR108430A0	44	20	GBR208580AC	68	12-13	MAQ124000A0	75	20
GBR108430A0	68	6	GBR208910A0	6	7	MAQ12401000	75	21
GBR108440A0	46	74	GBR208920A0	54	18-83	MAXBS200S5X	75	24
GBR108440A0	68	7	GBR208920AC	56	18-83	MAZ0882200A	75	30

NUMERICAL INDEX OF PARTS

PART NO	PAGE	REF NO.	PART NO	PAGE	REF NO.	PART NO	PAGE	REF NO.
MAZ0882300A	75	31	MAZ166080B0	28	3	NS6150350SP	16	13
MAZ088270A0	24	42	MC372000900	8	11	NS6150430SP	70	12
MAZ08828000	24	24	MC372001000	8	12	NS6150440SP	16	14
MAZ08829000	24	19	MDP170B1400	8	9	NS6620310SP	2	20
MAZ15501000	24	3	MDP170B1600	8	10	PH0300125S0	40	52
MAZ15502000	24	4	MTJMGC00000	56	72	PH0300185S0	48	16
MAZ15503000	24	8	MTJMS00000S	56	71	PS0150065KP	4	12
MAZ155030A0	24	7	NM6040001SC	34	58	PS0200062KH	2	30
MAZ155030B0	24	6	NM6040001SC	36	58	RC2500001KP	42	2
MAZ15504000	24	10	NM6040001SC	38	47	RE0200000K0	34	5
MAZ15505000	24	13	NM6040001SC	40	47	RE0200000K0	46	69
MAZ15509000	28	10	NM6040001SC	42	5	RE0250000K0	44	42
MAZ15510000	28	5	NM6040001SC	44	66	RE0400000K0	70	9
MAZ15513000	24	29	NM6040001SC	46	66	RE0700000K0	24	12
MAZ15514000	24	30	NM6040001SC	48	24	RE1200000K0	44	19
MAZ15515000	24	31	NM6040001SC	70	27	SB110000400	48	42
MAZ15517000	24	32	NM6050001SC	34	23	SB115000400	34	15
MAZ15518000	24	28	NM6050001SC	38	14	SD0500091TP	20	17
MAZ15601000	28	1	NM6050001SC	42	7	SD0500301SP	24	40
MAZ15602000	28	2	NM6060001SC	36	54	SD0530221SP	16	34
MAZ165040A0	24	5	NM6060001SC	52	5	SD0550271TP	20	18
MAZ165070A0	24	16	NM6060001SC	70	23	SD0550301SP	24	38
MAZ165070B0	24	15	NM6080001SC	52	21	SD0600322SD	20	19
MAZ165080A0	24	21	NM6080002SE	54	16	SD0600341TP	34	7
MAZ165080B0	24	20	NM6080721SE	54	46	SD0600401SD	2	13
MAZ16522000	24	14	NM6080721SE	56	46	SD0600401TP	34	11
MAZ16523000	4	29	NM6120003SE	56	47	SD0600651TP	40	58
MAZ165230A0	4	1	NS6080210SP	26	45	SD0601021SP	2	25
MAZ16524000	4	30	NS6090310SP	20	16	SD0601021SP	34	13
MAZ16525000	4	22	NS6090310SP	26	47	SD0640241SP	16	15
MAZ165250A0	4	21	NS6110310SP	2	33	SD0640321SP	10	34
MAZ16526000	30	1	NS6110310SP	4	27	SD0640321SP	16	36
MAZ16530000	18	42	NS6110310SP	12	8	SD0640326TP	10	35
MAZ165300A0	16	33	NS6110350SP	10	32	SD0640602SP	10	36
MAZ16531000	18	44	NS6110350SP	12	21	SD0700332SP	70	13
MAZ16532000	18	49	NS6110360SP	40	65	SD0720221SP	75	18
MAZ16533000	6	2	NS6110420SP	75	7	SD0791271SP	10	9
MAZ16534000	6	1	NS6110430SP	10	33	SD1204315SE	56	48
MAZ16535000	18	45	NS6110530SP	4	15	SK3311600SC	54	67
MAZ165360A0	2	8	NS6120310SP	2	34	SK3311600SC	56	67
MAZ16538000	4	32	NS6120310SP	12	13	SK3381300SC	75	27
MAZ165390A0	10	7	NS6120310SP	75	9	SK3452500SC	62	57
MAZ166070A0	28	9	NS6150310SP	12	25	SK3452500SC	64	52
MAZ166070B0	28	8	NS6150310SP	24	35	SK3452500SC	66	52
MAZ166080A0	28	4	NS6150310SP	56	79	SK3513800SE	56	49

NUMERICAL INDEX OF PARTS

PART NO	PAGE	REF NO.	PART NO	PAGE	REF NO.	PART NO	PAGE	REF NO.
SL4030681SC	60	52	SM6031202TP	38	8	SM8050502TP	38	3
SL4030681SC	62	52	SM6031402TP	36	49	SM8050602TP	34	9
SL4030681SC	64	48	SM6031402TP	38	38	SM8050602TP	38	2
SL4030681SC	66	48	SM6040802TN	62	51	SM8050602TP	42	36
SL4030881SC	48	5	SM6040802TN	66	47	SM8050612TP	42	12
SL4030881SC	60	22	SM6040802TP	46	63	SM8050812TP	42	16
SL4030881SC	64	19	SM6040802TR	34	39	SM8050842TP	42	31
SL4030881SC	68	14	SM6040802TR	38	27	SM8050842TP	48	44
SL4030881SC	70	19	SM6040802TR	44	13	SM8051002TP	36	52
SL4030891SC	60	17	SM6040802TR	48	34	SM8062012TP	36	53
SL4030891SC	64	14	SM6041002TP	38	31	SM9042510SC	70	26
SL4031081SC	42	29	SM6041002TP	44	47	SM9061203SE	54	35
SL4040891SC	60	33	SM6041002TP	46	47	SM9082023SE	54	52
SL4040891SC	62	33	SM6041002TP	50	55	SM9082023SE	56	52
SL4040891SC	64	29	SM6041202TP	26	66	SS1090510SP	75	26
SL4041091SC	62	50	SM6041202TP	44	62	SS4090415SP	16	16
SL4041091SC	66	46	SM6041202TP	46	62	SS4091015SP	4	28
SL4051081SF	58	90	SM6041202TP	48	38	SS4110515SP	16	17
SM0040601SA	54	85	SM6041402TP	38	35	SS4110715SP	2	31
SM0040601SA	56	85	SM6042002TP	34	26	SS4110815SP	52	3
SM0040601SC	44	2	SM6042002TP	38	23	SS4120915SP	10	38
SM0040601SC	48	3	SM6042502TP	38	41	SS5060310SP	10	11
SM0040601SC	52	17	SM6050802TP	34	37	SS6080410SP	75	6
SM0040601SC	68	24	SM6051002TP	70	2	SS6090520SP	20	21
SM0040801SC	70	25	SM6051202TP	48	54	SS6090612TP	75	17
SM0041001SN	52	28	SM6051202TP	50	54	SS6110610TP	12	23
SM0861201SA	44	75	SM6051202TP	56	82	SS6111052TP	75	14
SM0861201SA	46	75	SM6051552TP	70	3	SS6111140SP	16	18
SM0861201SA	50	67	SM6051602TP	48	41	SS6120620TP	12	27
SM1030801SC	6	5	SM6051602TP	70	20	SS6121050SP	10	39
SM1031401SC	40	63	SM6051802TP	38	10	SS6151142TP	16	30
SM1040601SC	48	13	SM6052002TP	48	31	SS6151220SP	16	38
SM1041201SC	48	12	SM6052502TP	34	18	SS7080510TP	8	2
SM4030601SN	52	25	SM6061202TP	26	54	SS7090410SP	24	22
SM4040801SN	52	12	SM6061602TP	46	70	SS7090410SP	28	11
SM4041001SC	60	12	SM6062002TP	42	33	SS7090410SP	75	11
SM4041001SC	64	9	SM6063002TP	34	43	SS7091480SP	24	41
SM4051001SN	52	15	SM8030402TP	44	30	SS7110410SP	10	41
SM4860501SC	48	8	SM8040402TP	42	30	SS7110410SP	18	48
SM5040601SC	62	38	SM8040402TP	50	52	SS7110510SP	6	4
SM5040601SC	64	33	SM8040602TP	34	32	SS7110510SP	10	8
SM6030602TP	26	63	SM8040602TP	38	18	SS7110510SP	12	6
SM6030602TP	40	68	SM8040602TP	42	22	SS7110710SP	4	31
SM6030802TP	48	57	SM8042502TP	44	11	SS7110840SP	6	3
SM6030802TP	50	57	SM8050502TP	36	48	SS7110840SP	12	2

NUMERICAL INDEX OF PARTS

PART NO	PAGE	REF NO.	PART NO	PAGE	REF NO.	PART NO	PAGE	REF NO.
SS7110840SP	26	52	WP0531000SC	70	22	WZ0641510KP	16	22
SS7110910SP	2	7	WP0551626SD	12	3			
SS7110910TP	18	46	WP0611626SP	18	41			
SS7111410TP	18	50	WP0612056SD	56	78			
SS7150740SP	12	14	WP0612516SD	26	65			
SS8090610SP	10	30	WP0621026SP	10	6			
SS8110520TP	4	6	WP0641600SC	42	35			
SS8111610SP	14	7	WP0641600SC	46	72			
SS8660610TP	10	18	WP0641600SC	52	6			
SS9091010SP	26	50	WP0650876SD	2	15			
SS9110543CP	20	22	WP0651056SH	4	5			
SS9110543CP	24	53	WP0651056SH	16	37			
SS9110543CP	26	53	WP0671016SE	54	37			
SS9111013SP	10	42	WP0702026SP	16	21			
SS9111020TP	4	18	WP0740516SP	2	27			
SS9151120CP	26	64	WP0751576SD	54	15			
SS9156830SP	56	77	WP0841601SC	52	31			
SS9165530SP	54	13	WP0851846SC	56	74			
SS9621413SP	24	26	WP0871602SE	54	55			
SS9661230CP	16	32	WP0871602SE	56	55			
WP0280500SC	48	9	WP1252210SC	56	56			
WP0320500SC	36	51	WS0310002KN	36	50			
WP0320500SC	50	59	WS0310002KN	38	39			
WP0320500SC	52	24	WS0310002KN	50	58			
WP0370316SD	75	5	WS0410002KN	34	46			
WP0410846SC	75	28	WS0410002KN	36	46			
WP0430800SC	34	41	WS0410002KN	38	60			
WP0430800SC	38	49	WS0410002KN	40	60			
WP0430800SC	40	49	WS0410002KN	44	67			
WP0430800SC	44	73	WS0410002KN	46	67			
WP0430800SC	46	73	WS0410002KN	48	35			
WP0430800SC	48	36	WS0410002KN	54	5			
WP0430800SC	52	13	WS0510002KN	34	19			
WP0430801SC	40	59	WS0510002KN	70	21			
WP0450000SD	20	23	WS0510002KP	56	81			
WP0450801SD	2	24	WS0510002KS	38	13			
WP0450801SD	52	29	WS0610002KN	34	44			
WP0482086SD	16	19	WS0610002KN	42	34			
WP0482086SD	75	13	WS0610002KN	46	71			
WP0501016SC	75	25	WS0610002KN	52	7			
WP0501016SD	16	20	WS0621210KR	54	39			
WP0501016SD	24	55	WS0651510KP	54	14			
WP0501016SD	26	55	WS0861410KR	54	59			
WP0501016SD	56	80	WS0861410KR	56	59			
WP0531000SC	52	30	WS1253010KN	56	60			