

MODEL : DSC-244/DSC-244-4/DSC-244-6

List No : 0687-06

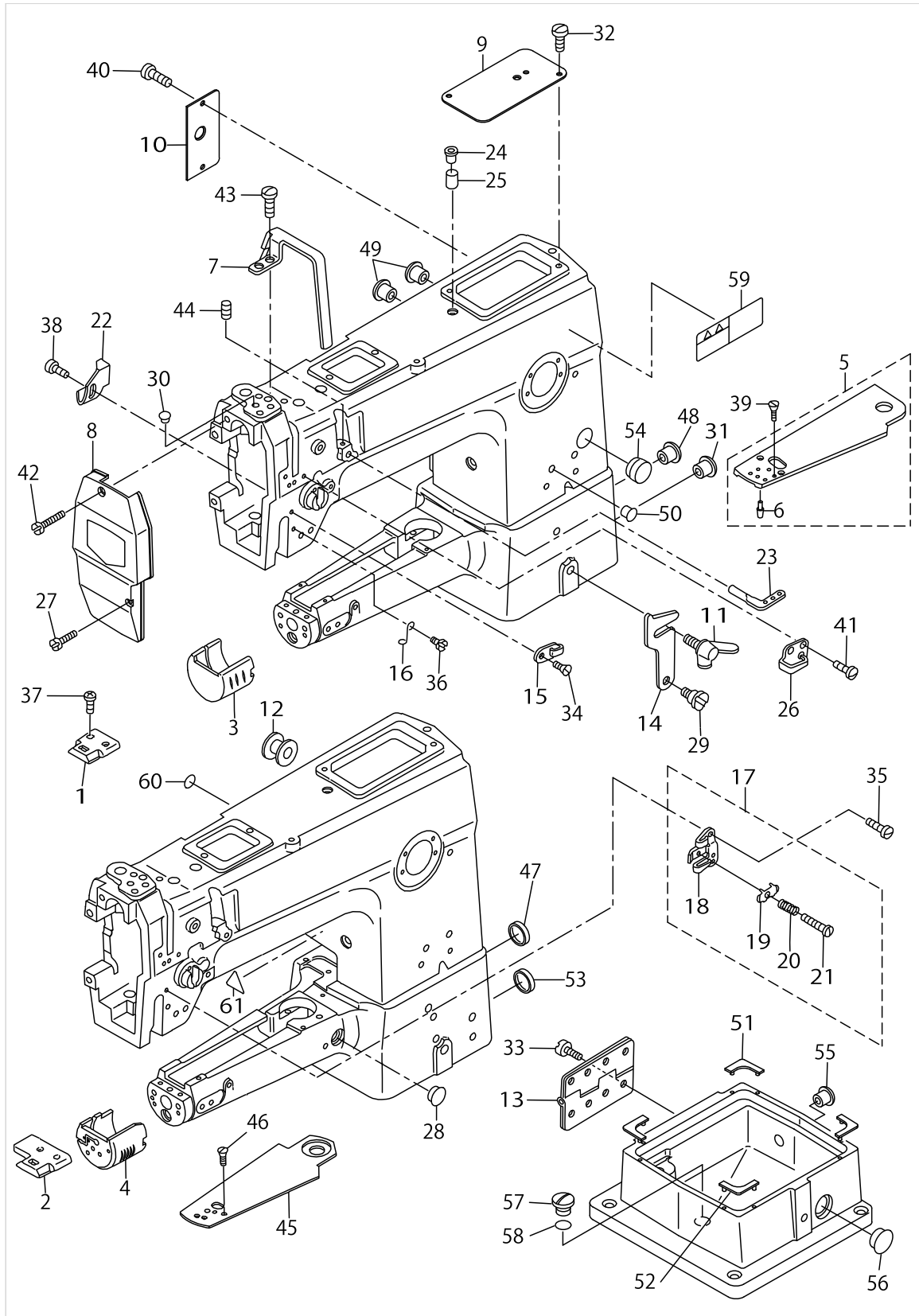
PARTS LIST

Published:05/12/2017

CONTENTS

FRAME & MISCELLANEOUS COVER COMPONENTS	1
MAIN SHAFT & ARM SHAFT COMPONENTS	5
NEEDLE BAR,THREAD TAKE-UP LEVER & PRESSER BAR COMPONENTS.....	7
FEED MECHANISM COMPONENTS.....	11
REVERSE FEED MECHANISM COMPONENTS.....	15
UPPER FEED MECHANISM & HOOK DRIVING SHAFT COMPONENTS.....	19
THREAD TRIMMER COMPONENTS	23
THREAD TENSION COMPONENTS	29
LUBRICATION COMPONENTS	33
KNEE LIFTER COMPONENTS.....	35
BELT COVER & THREAD WINDER COMPONENTS	37
THREAD STAND COMPONENTS.....	39
TABLE COMPONENTS	41
ACCESSORIES PARTS COMPONENTS	43
GAUGE COMPONENTS.....	45
OPTION COMPONENTS (FOR DSC-244).....	47
LIST FOR INFORMATION OF CHANGE.....	49
HOW TO MAKE USE OF THIS PARTS LIST	50

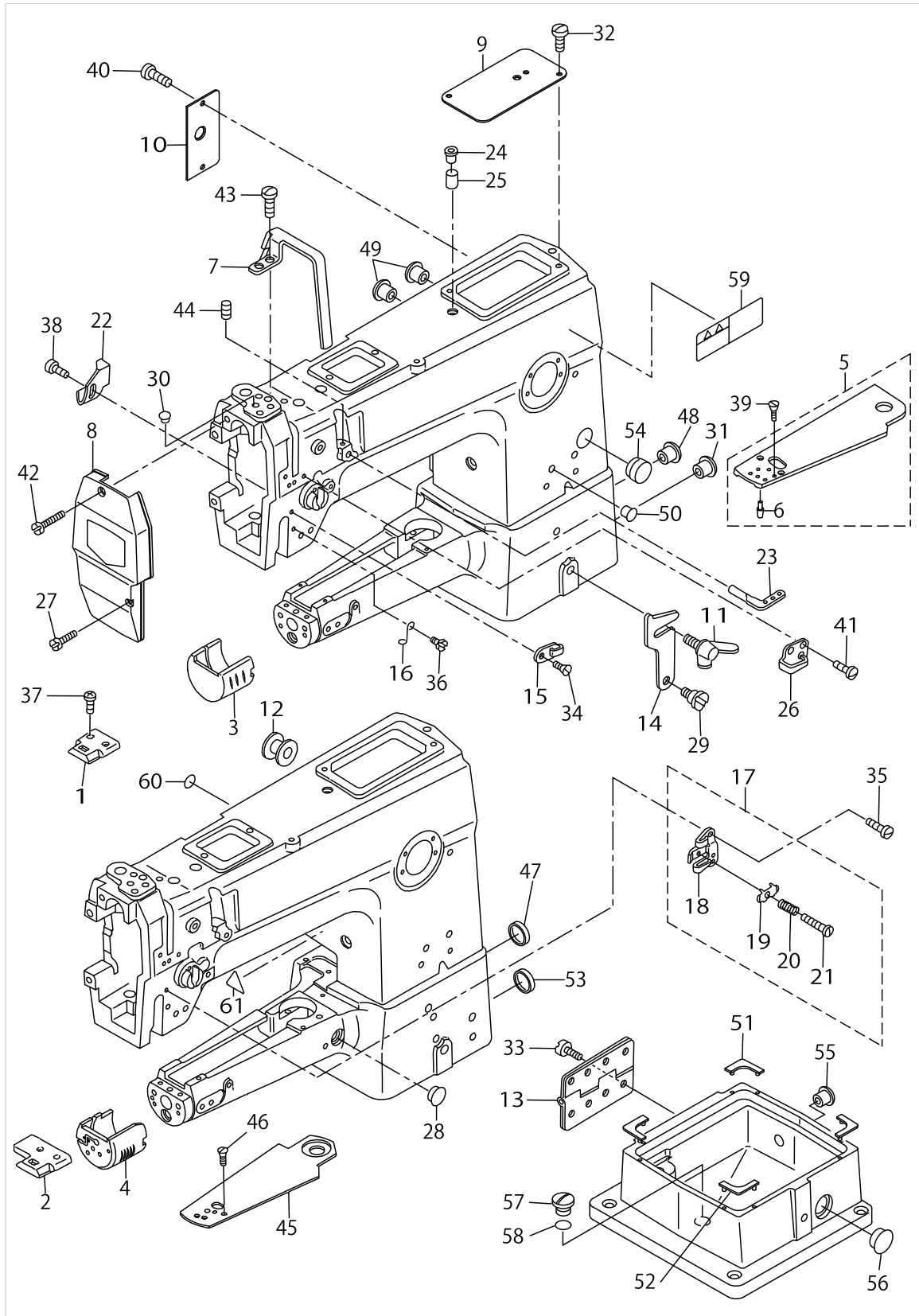
FRAME & MISCELLANEOUS COVER COMPONENTS



FRAME & MISCELLANEOUS COVER COMPONENTS

No.	Supply Code	Parts No.	Replacement	Parts name	Remarks	Choice	Step	Level	Cons	Qty	Rep. QTY
1		B1105245000		THROAT PLATE	FOR DSC-244					1	
2		D1105245E00		THROAT PLATE	FOR DSC-244-4,-7					1	
3		B1171245000		HOOK COVER	FOR DSC-244					1	
4		D1171245E00		HOOK COVER	FOR DSC-244-4,-7					1	
5		B11732450A0		TOP COVER ASM.	FOR DSC-244					1	
6		B1174245000		SET PIN	FOR DSC-244			*		1	
7		D1158241E0A		THREAD TAKE-UP LEVER COVER	EXCEPT JE					1	
8		B11212450AA		FACE PLATE ASM.						1	
9		D1150241E0A		TOP COVER						1	
10		B1118241H0A		SIDE PLATE						1	
11		B1116246000		WING BOLT						1	
12		D2414141E00		LORD BUSHING	FOR DSC-244-4,-7					1	
13		B1128246000		HINGE						1	
14		B1117246000		HOOK						1	
15		B1130051000		FRAME THREAD GUIDE MIDDLE	FOR DSC-244					1	
16		B1131562000		FRAME THREAD GUIDE LOWER	FOR DSC-244					1	
17		B11305210A0		THREAD GUIDE ASM. LOWER	FOR DSC-244-4,-7					1	
18		B1130521000		THREAD GUIDE				*		1	
19		B1131521000		THREAD PRESSER PLATE				*		1	
20		B1132521000		THREAD PRESSER PLATE SPRING				*		1	
21		SD0380551SL		HINGE SCREW D=3.80 H=5.5				*		1	
22		B1140051000		TAKE-UP OIL SPLASHER						1	
23		B1128522000		THREE HOLE THREAD EYELET	FOR DSC-244					1	
24		B1156115000		RUBBER PLUG						1	
25		B3517009000		OIL FELT REAR						1	
26		B1129563000		FRAME THREAD GUIDE UPPER						1	
27		SS6092120SP		SCREW 9/64-40 L=21.2						1	
28		TA1250406R0		RUBBER PLUG D=12.5 L=4	FOR DSC-244-4,-7					1	
29		SD0800352SP		HINGE SCREW D=8 H=3.5						1	
30		TA1050504R0		RUBBER PLUG						2	
31		TA2100904R0		RUBBER PLUG						1	
32		SS7110710SP		SCREW 11/64-40 L=7						2	
33		SM6081552TP		SCREW M8 L=15						8	
34		SS2090710TP		SCREW 9/64-40 L=7.2	FOR DSC-244					1	
35		SS2090710TP		SCREW 9/64-40 L=7.2	FOR DSC-244-4,-7					2	
36		SS3090610SP		SCREW 9/64-40 L=6	FOR DSC-244					1	
37		SS2110915SP		SCREW 11/64-40 L=8.5						2	
38		SS3090520SP		SCREW 9/64-40 L=4.5						1	
39		SS2090710TP		SCREW 9/64-40 L=7.2						3	
40		SS7110710SP		SCREW 11/64-40 L=7						2	
41		SS2090710TP		SCREW 9/64-40 L=7.2	FOR DSC-244					2	
42		SS7110710SP		SCREW 11/64-40 L=7						1	
43		SS7150940SP		SCREW 15/64-28 L=9	EXCEPT JE					2	
44	R	SS8110510SP	SS8110520TP	SCREW 11/64-40 L=5	FOR DSC-244					1	1.00
45		D1173245E00		TOP COVER	FOR DSC-244-4,-7					1	
46		SS2090710TP		SCREW 9/64-40 L=7.2	FOR DSC-244-4,-7					1	

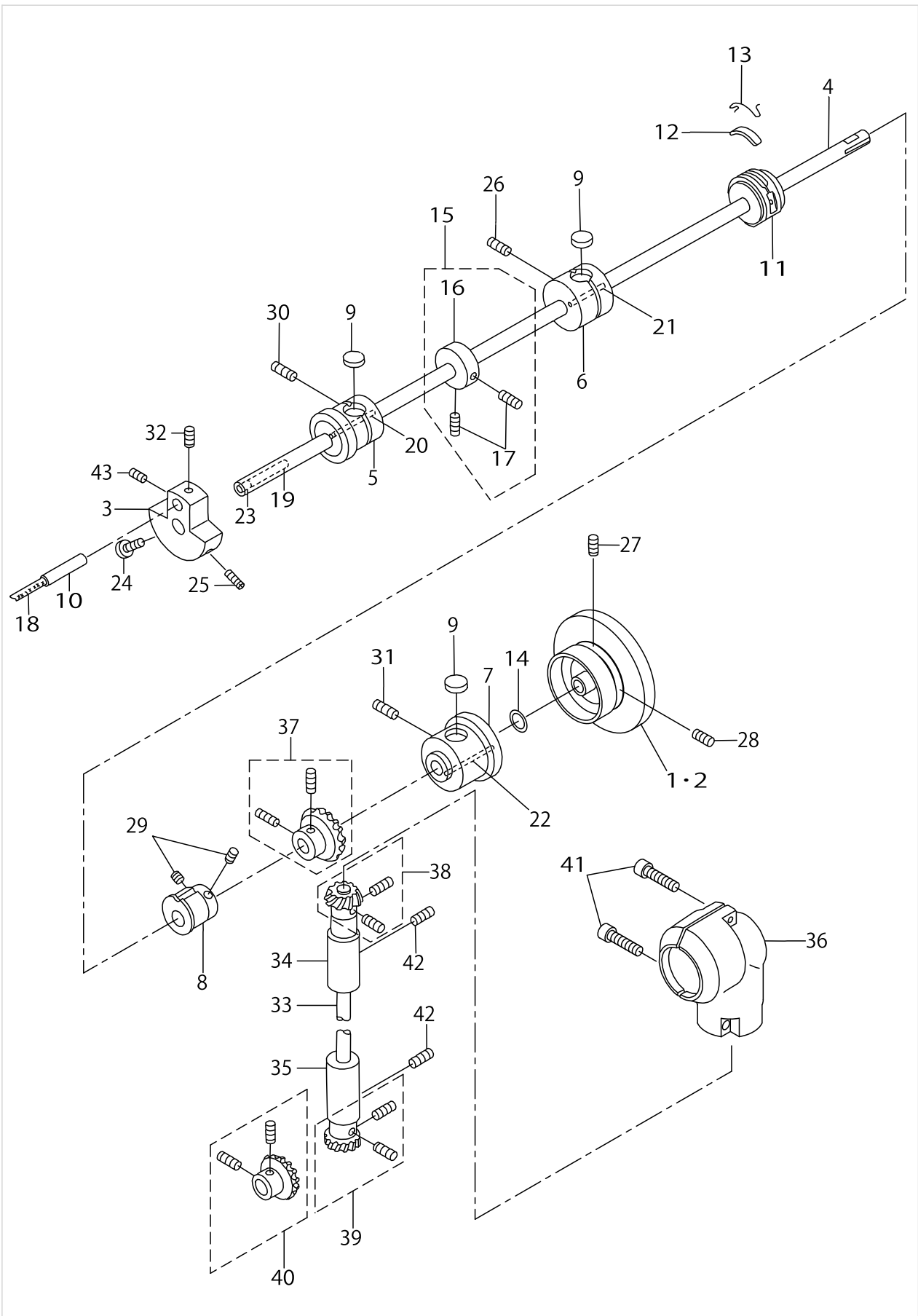
FRAME & MISCELLANEOUS COVER COMPONENTS



FRAME & MISCELLANEOUS COVER COMPONENTS

No.	Supply Code	Parts No.	Replacement	Parts name	Remarks	Choice	Step	Level	Cons	Qty	Rep. QTY
47		B1180245000		PLUG	FOR DSC-244-4,-7					1	
48		TA1120804R0		RUBBER PLUG						1	
49		TA0550604R0		RUBBER PLUG						2	
50		TA0750704R0		RUBBER PLUG						1	
51		B118324500A		GASKET A						3	
52		B118324500B		GASKET B						1	
53		B1180245000		PLUG	FOR DSC-244-4,-7					1	
54		TA1550902R0		PLUG						1	
55		TA0750404R0		PLUG D=7.5 L=3.5						1	
56		TA2050406R0		RUBBER PLUG						1	
57		SS7680870SP		SCREW 9/32 L=8.0						1	
58		RO061180100		RUBBER RING						1	
59		CM301300001		SAFETY LABEL						1	
60		22901805		GROUND MARK						1	
61		CM300200002		CAUTION LABEL(25)	FOR DSC-- 244-4,-7 (- USE IN JAPAN,JE)					1	

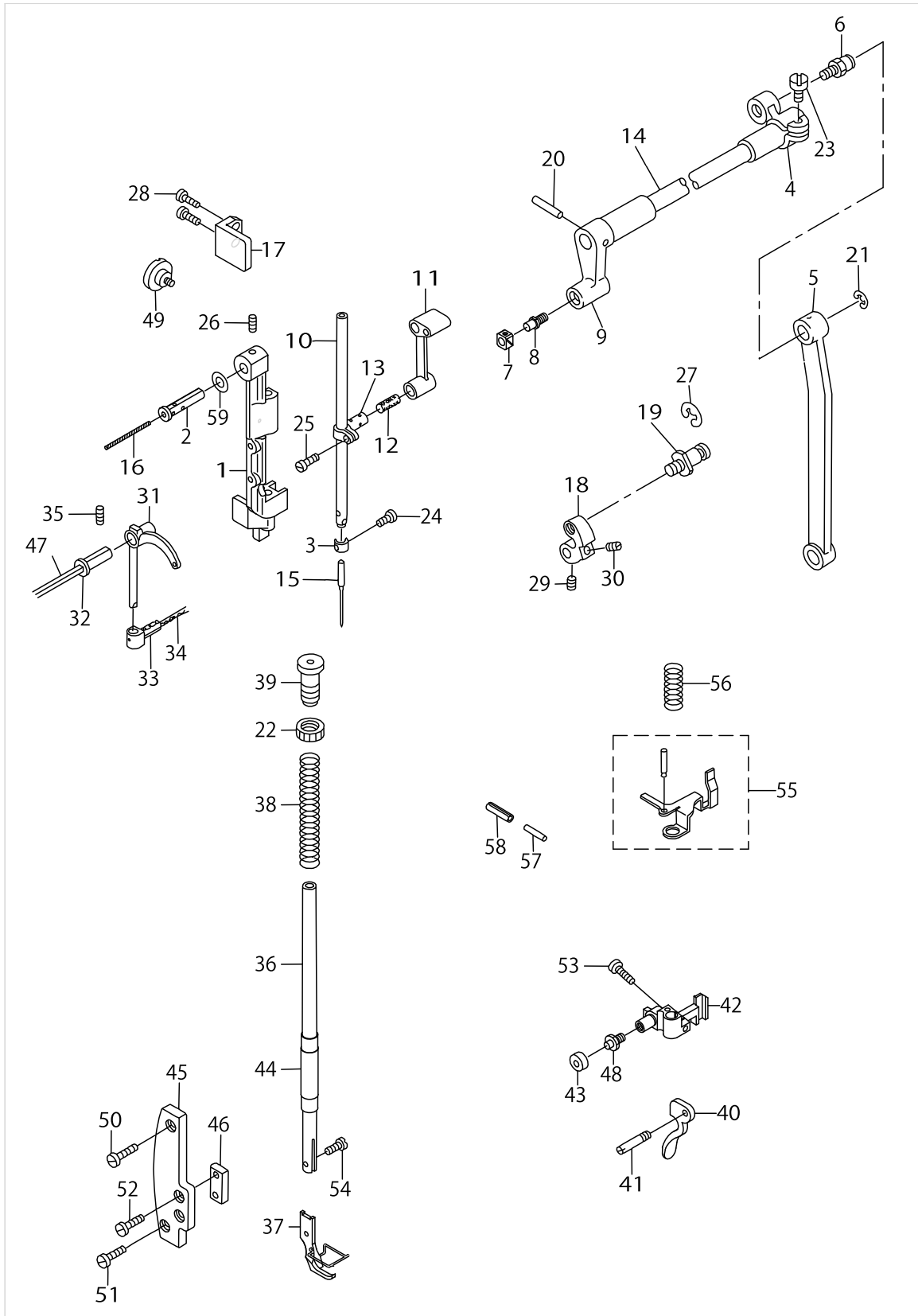
MAIN SHAFT & ARM SHAFT COMPONENTS



MAIN SHAFT & ARM SHAFT COMPONENTS

No.	Supply Code	Parts No.	Replacement	Parts name	Remarks	Choice	Step	Level	Cons	Qty	Rep. QTY
1		22860704		HAND WHEEL	FOR DSC-244					1	
2		21308200		HAND WHEEL	FOR DSC-244-4,-7					1	
3		B1206245000		COUNTERWEIGHT						1	
4	D	D1201241E00		MAIN SHAFT						1	
5		B1202241H00		MAIN SHAFT BUSHING FRONT						1	
6	D	B1203241H00		BUSHING INTERMEDIATE						1	
7		B1204241H00		BUSHING REAR						1	
8		B1211241H00		FEED ECCENTRIC CAM						1	
9		B1203051000		OIL FELT						3	
10		B1210051000		NEEDLE BAR CRANK PIN						1	
11		40144145		ECCENTRIC RETAINER HOUSING						1	
12		B1212012000		OIL FELT						1	
13		B1213012000		FELT RETAINER						1	
14		B1605201000		METAL WASHER						2	
15		CS127101ASH		THRUST COLLAR A- SM. D=12.7 W=10						1	
16		CS1271012SH		THRUST COLLAR D=12.7 W=10				*		1	
17		SS8660610TP		SCREW 1/4-40 L=6				*		2	
18		CQ505000000		OIL WICK						.1	
19		CQ303000000		OIL WICK						.1	
20		CQ252000000		OIL WICK						.1	
21		CQ252000000		OIL WICK						.1	
22		CQ252000000		OIL WICK						.1	
23		TA0500601M0		PLUG D=5X5.4 L=6						1	
24		SS7681750TP		SCREW 9/32-28 L=16.5						1	
25		SS8681650TP		SCREW 9/32-28 L=16						1	
26		SS8151550SP		SCREW 15/64-28 L=15						1	
27		SS8151780SP		SCREW 15/64-28 L=17.0						1	
28		SS8151550SP		SCREW 15/64-28 L=15						1	
29		SS8150710TP		SCREW 15/64-28 L=7						2	
30		SS8151550SP		SCREW 15/64-28 L=15						1	
31	R	SS8150710SP	SS8150710TP	SCREW 15/64-28 L=7						1	1.00
32		SS8680540SP		SCREW 9/32-28 L=4.5						1	
33		B1301241H00		UPRIGHT SHAFT						1	
34		B1302241H00		BUSHING UPPER						1	
35		B1303271000		BUSHING LOWER						1	
36		B13052710B0		GEAR CASE ASM.						1	
37		B13050120A0		GEAR ASM.						1	
38	R	B13061550C0	B13071550C0	GEAR & PINION ASM.						1	1.00
39		B13071550A0		GEAR ASM. LARGE						1	
40		B13081550A0		PINION ASM.						1	
41		SM6031202TP		SCREW M3X0.5 L=12						2	
42		SS8151550SP		SCREW 15/64-28 L=15						2	
43		SS8680730SP		SCREW 9/32-28 L=7						1	

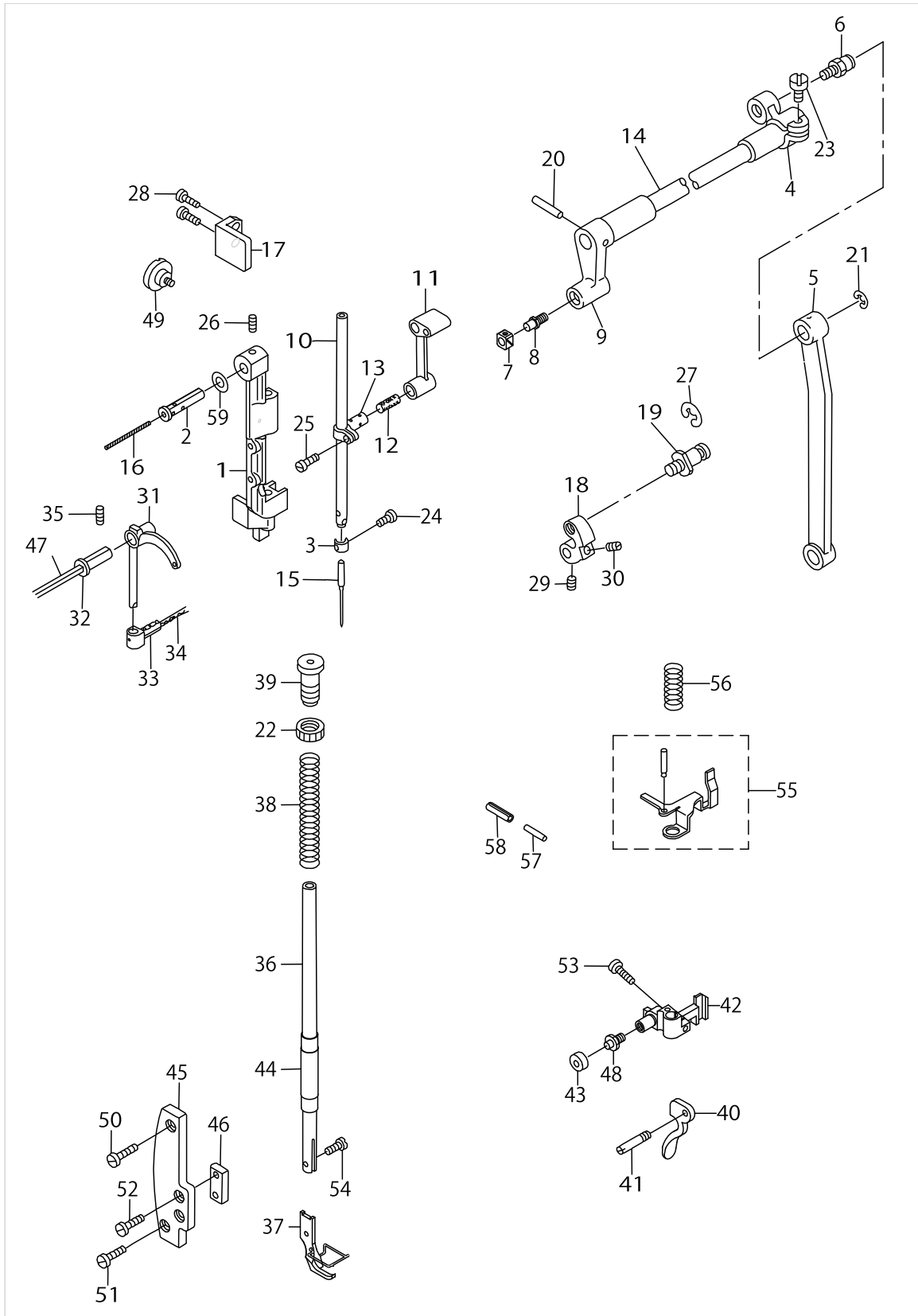
NEEDLE BAR, THREAD TAKE-UP LEVER & PRESSER BAR COMPONENTS



NEEDLE BAR,THREAD TAKE-UP LEVER & PRESSER BAR COMPONENTS

No.	Supply Code	Parts No.	Replacement	Parts name	Remarks	Choice	Step	Level	Cons	Qty	Rep. QTY
1		B1420563000		NEEDLE BAR FRAME						1	
2		B1906051000		TAKE-UP LEVER PIN						1	
3		B1419245000		NEEDLE BAR THREAD GUIDE						1	
4		B1431241H00		ROCK SHAT REAR CRANK						1	
5		B1434245000		DRIVING ROD						1	
6		B1424158000		HINGE SCREW						1	
7		B1414232000		SQUARE BLOCK						1	
8		B1410771000		STUD						1	
9		B1428563000		ROCK SHAFT FRONT CRANK						1	
10		D1401245E00		NEEDLE BAR						1	
11		D1408241E00		NEEDLE BAR CRANK ROD						1	
12		D1412241E00		FELT						1	
13		D1411241E00		NEEDLE BAR CONNECTION						1	
14		B1429241H00		NEEDLE BAR FRAME LOCK SHAFT						1	
15		M13517B1100		NEEDLE 135X17 #110						1	
16		CQ252000000		OIL WICK						1	
17		B1423245000		NEEDLE BAR FRAME GUIDE						1	
18		B1430245000		DRIVING ROD CRANK						1	
19		B1424158000		HINGE SCREW						1	
20		PT0301600S0		TAPERED PIN 3.0X16						1	
21		RE0700000K0		E-RING 7						1	
22	R	22907604	22907554	PRESSER SPRING REGULATOR NUT						1	1.00
23		SS7151210SP		SCREW15/64-28L=12						1	
24		SS7080510TP		SCREW 1/8-44 L=4.5						1	
25	R	SS7090910SP	SS7090910TP	SCREW 9/64-40 L 8.5						1	1.00
26	R	SS8151150SP	SS8151150TP	SCREW 15/64-28 L=10.5						1	1.00
27		RE0700000K0		E-RING 7						1	
28		SS7110910TP		SCREW 11/64-40 L=8.5						2	
29		SS8150710TP		SCREW 15/64-28 L=7						1	
30	R	SS8150830SP	SS8150822TP	SCREW						1	1.00
31		B1905245000		THREAD TAKE-UP LEVER						1	
32		B1906051000		TAKE-UP LEVER PIN						1	
33		D1907241E00		TAKE-UP LEVER THRUST PIN						1	
34		CQ202000000		OIL WICK						.1	
35	R	SS8151150SP	SS8151150TP	SCREW 15/64-28 L=10.5						1	1.00
36		B1501241H00		PRESSER BAR						1	
37		B15242450A0		PRESSER FOOT ASM.						1	
38		B1510141H00		PRESSER SPRING						1	
39		B1509141H00		PRESSER SPRING REGULATOR						1	
40		B1512141H00		HAND LIFTER						1	
41		B1515051000		HAND LIFTER PIN						1	
42		B1460245000		PRESSER LIFTING LEVER BASE						1	
43		D1462241E00		CONNECTING PIN ROLLER						1	
44		22907109		PRESSER BAR BUSHING LOWER						1	
45		D1464241E0A		GUIDE PLATE BASE						1	
46		D1463241E00		PRESSER BAR BRACKET GUIDE						1	

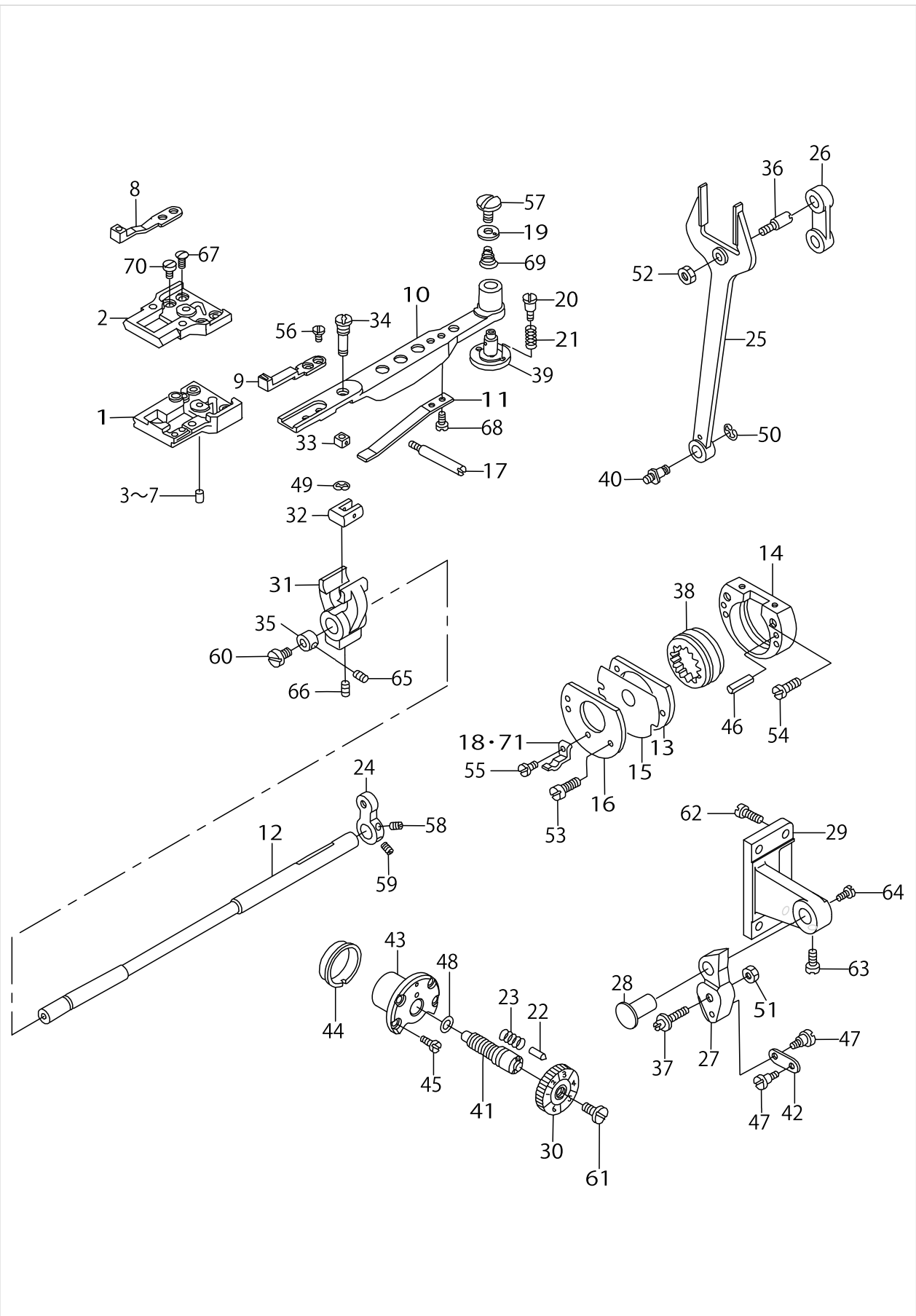
NEEDLE BAR, THREAD TAKE-UP LEVER & PRESSER BAR COMPONENTS



NEEDLE BAR,THREAD TAKE-UP LEVER & PRESSER BAR COMPONENTS

No.	Supply Code	Parts No.	Replacement	Parts name	Remarks	Choice	Step	Level	Cons	Qty	Rep. QTY
47		D3505241E00		OIL WICK						1	
48		B1461245000		GUIDE SHAFT HINGE SCREW						1	
49		SD0800481SP		HINGE SCREW D=8 H=4.9						1	
50		SS7150740SP		SCREW 15/64-28 L=7						1	
51		SS7621040SP		SCREW 3/16-32 L=9.5						1	
52		SS7621040SP		SCREW 3/16-32 L=9.5						2	
53	R	SS7111310SP	SS7111310TP	SCREW 11/64-40 L=12.8						1	1.00
54		SS6090910SP		SCREW 9/64-40 L=9						1	
55		B14602460A0		THREAD RELEASE GUIDE ASM.						1	
56		B1462053000		THREAD RELEASE SPRING						1	
57		10321107		TENSION RELEASE BAR	FOR DSC-244-4,-7					1	
58		PS0600502KP		SPRING PIN	FOR DSC-244-4,-7					1	
59		B1208019000		WASHER						1	

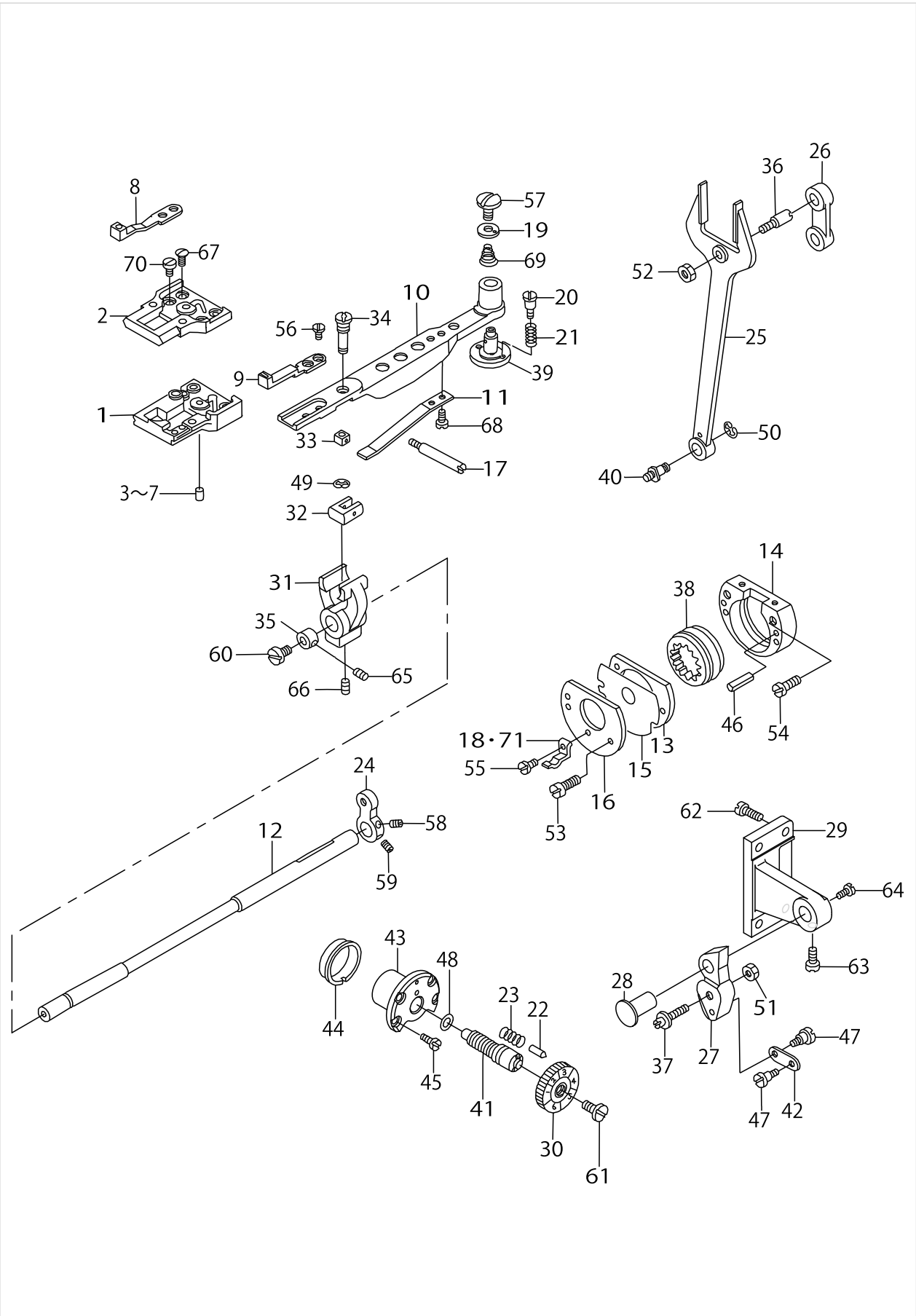
FEED MECHANISM COMPONENTS



FEED MECHANISM COMPONENTS

No.	Supply Code	Parts No.	Replacement	Parts name	Remarks	Choice	Step	Level	Cons	Qty	Rep. QTY
1		D1630245EA0A		THROAT PLATE BASE ASM.	FOR DSC-244-4,-7					1	
2		B16302450A0A		THROAT PLATE BASE ASM.	FOR DSC-244					1	
3		B163224500A		FEED LIFTING PIN	SELECTIVE PARTS					1	
4		B163224500B		VERTICAL FEED PIN	SELECTIVE PARTS					1	
5		B163224500C		PIN						1	
6		B163224500D		PIN	SELECTIVE PARTS					1	
7		B163224500E		PIN	SELECTIVE PARTS					1	
8		B161324500E		FEED DOG	FOR DSC-244					1	
9		D1613245E0A		FEED DOG (FOR CLOTH)	FOR DSC-244-4,-7					1	
10		D1606245E00		FEED BAR						1	
11		B1633245000		SPRING						1	
12		B1601245000		FEED ROCK SHAFT						1	
13		B1654245000		FEED DRIVING HOLDER A						1	
14		B1635245000		FEED DRIVING CAM HOLDER B						1	
15		B1655245000		FEED DRIVING CAM HOLDER WASHER						1	
16		B1637245000		FEED DRIVING CAM HOLDER PLATE						1	
17		B1638245000		SCREW STUD						1	
18		B1172245000		HOOK COVER HOLDER	FOR DSC-244					1	
19		B1640245000		BED COVER WASHER						1	
20		B1641245000		HINGE SCREW						2	
21		B1642245000		SPRING						2	
22		B1147141H00		PIN						1	
23		B1148141H00		SPRING						1	
24		B1605245000		FEED ROCKER SHAFT CRANK						1	
25		B1614245000		PITMAN						1	
26		B1619241H00		FEED CONNECTING LINK						1	
27		B1620245000		FEED REGULATOR						1	
28		B1622241H00A		FEED REGULATOR STOPPER SHAFT						1	
29		40143489		FEED_REGULATOR_SUPPORTING_BASE						1	
30		B16232450A0		STITCH DIAL ASM.						1	
31		B1603245000		FEED ROCKER						1	
32		B1643145000		FEED BAR SLIDE BLOCK A						1	
33		B1644245000		FEED BAR SLIDE BLOCK B						1	
34		B1645245000		FEED BAR SLIDE SCREW STUD						1	
35		B1646245000		THRUST COLLAR						1	
36		B1617241H00		HINGE SCREW A						1	
37		B1618241H00		HINGE SCREW B						1	
38		B1647245000		FEED DRIVING CAM						1	
39		B1639245000		FEED BAR SHAFT						1	
40		B1424158000		HINGE SCREW						1	
41		B1634245000		STITCH LENGTH REGULATING SCREW						1	
42		B2115271000		NEEDLE THROW LINK						1	
43		B163624500A		BUSHING						1	
44		B1637141H00		ECCENTRIC BUSHING						1	

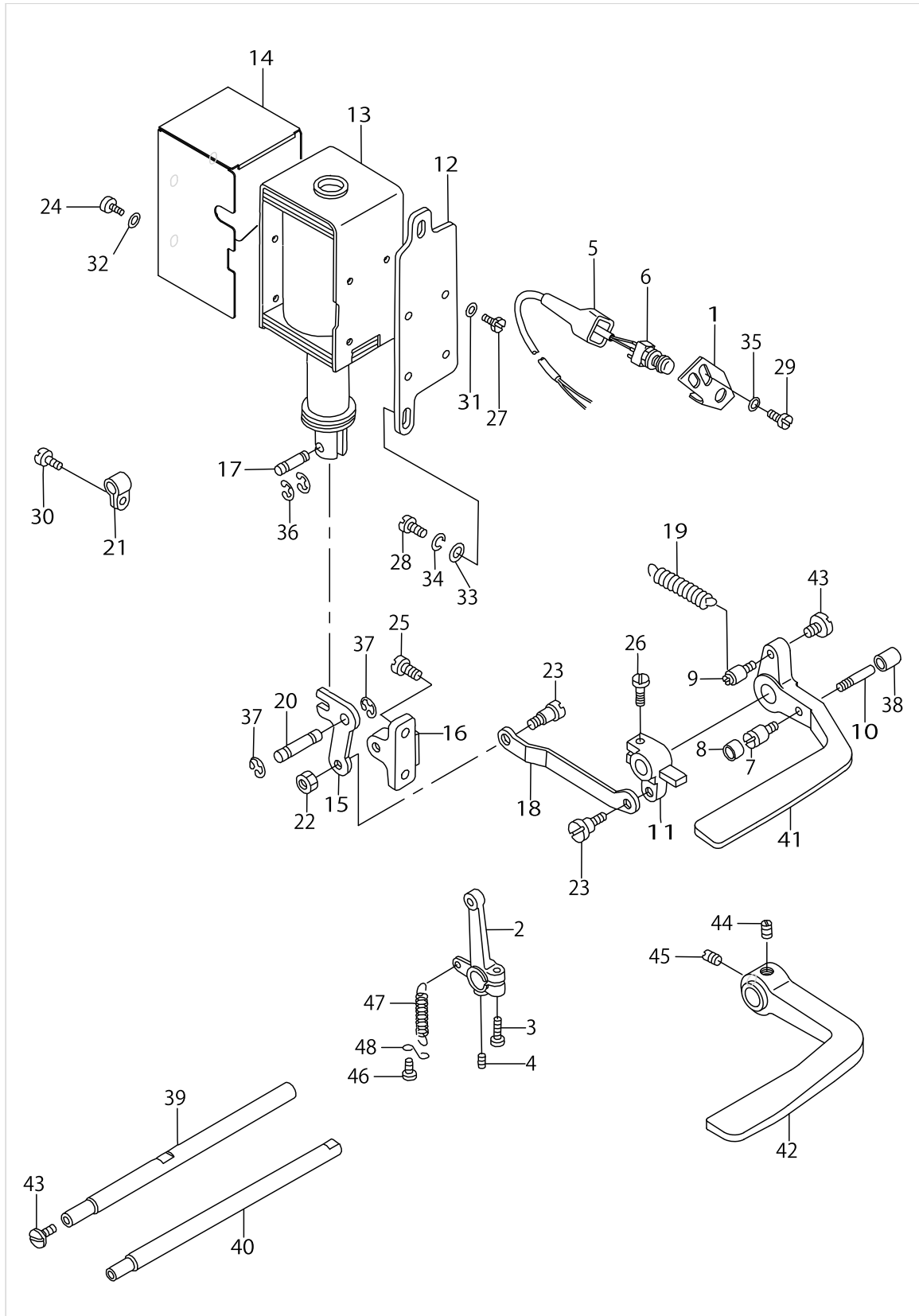
FEED MECHANISM COMPONENTS



FEED MECHANISM COMPONENTS

No.	Supply Code	Parts No.	Replacement	Parts name	Remarks	Choice	Step	Level	Cons	Qty	Rep. QTY
45		B1638141H00		SCREW						4	
46		PS0400182K0		SPRING PIN 4.0X18						2	
47		SD0640231SP		HINGE SCREW D=6.35 H=2.3						2	
48		RO074240100		RUBBER RING						1	
49		RE0300000K0		E-RING 3						1	
50		RE0700000K0		E-RING 7						1	
51		NS6680320SP		NUT 9/32-28						1	
52		NS6680410SP		NUT 9/32-28						1	
53		SS6081210SP		SCREW 1/8-44 L=12						2	
54		B1651245000		SCREW						2	
55		SS6060210SP		SCREW 3/32-56 L=1.9						1	
56		B1652245000		SCREW						2	
57		B1653245000		SCREW						1	
58		SS8150710TP		SCREW 15/64-28 L=7						1	
59	R	SS8150830SP	SS8150822TP	SCREW						1	1.00
60		SS5110710SP		SCREW 11/64-40 L=7						1	
61		SS6121050SP		SCREW 3/16-28 L=9.5						1	
62		SS7151210SP		SCREW 15/64-28 L=12						4	
63		SS6151220SP		SCREW 15/64-28 L=11.5						1	
64		SS7151330SP		SCREW 15/64-28 L=13.0						1	
65	R	SS8110410SP	SS8110410TP	SCREW 11/64-40 L=3.5						2	1.00
66		SS8701042TP		SCREW 5/16-24 L=10.0						1	
67		SS2090810SP		SCREW 9/64-40 L=7.5						2	
68		SS7080520SP		SCREW 1/8-44 L=4.9						2	
69		B1175245000		SPRING						1	
70		SS6090610SP		SCREW 9/64-40 L=5.5						2	
71		D1172245E00		HOOK COVER HOLDER	FOR DSC-244-4,-7					1	

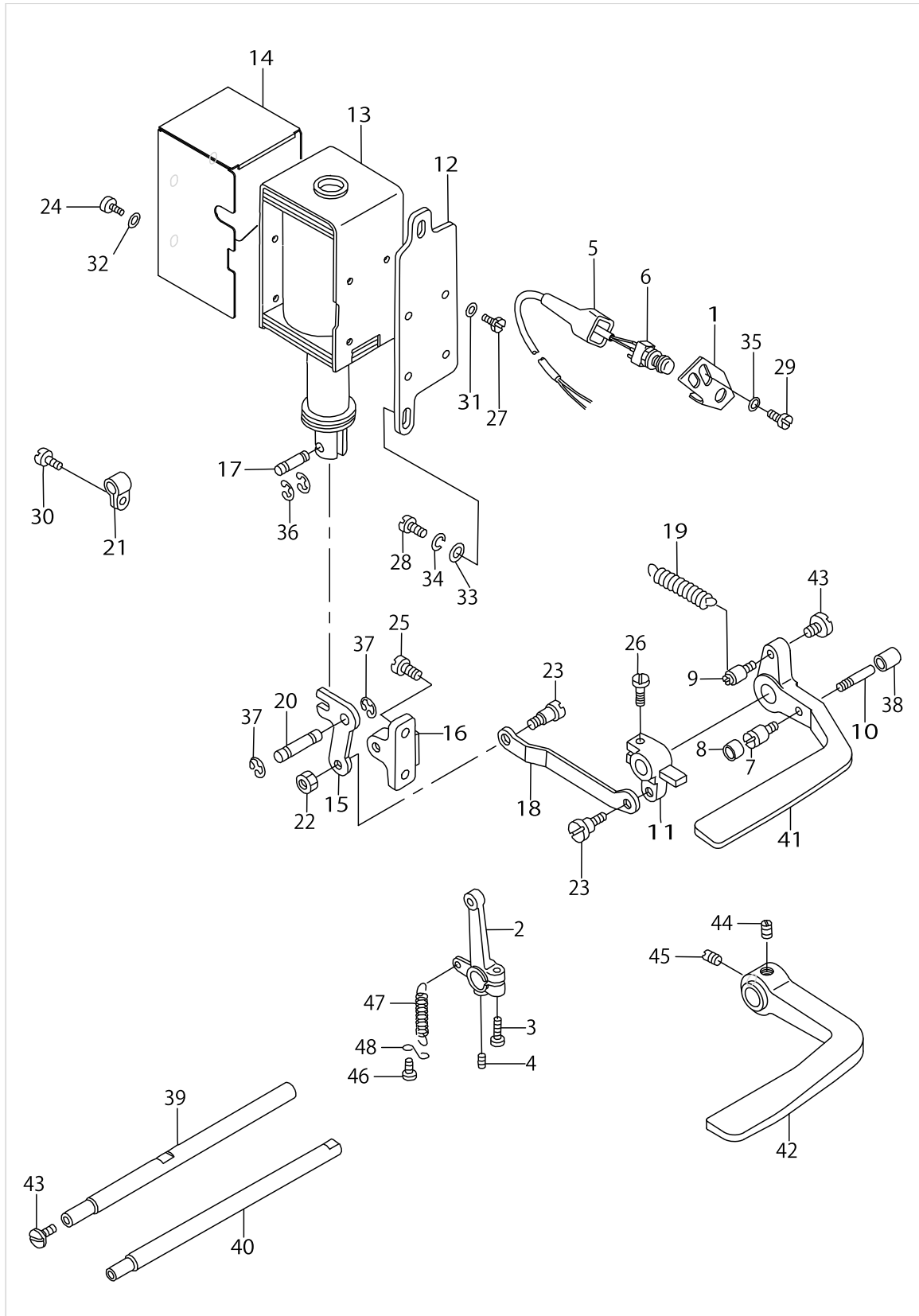
REVERSE FEED MECHANISM COMPONENTS



REVERSE FEED MECHANISM COMPONENTS

No.	Supply Code	Parts No.	Replacement	Parts name	Remarks	Choice	Step	Level	Cons	Qty	Rep. QTY
1		D1681241E0A		SWITCH INSTALLING BASE	FOR DSC-- 244-4-1B,-7-0B					1	
2		B1627241H00		CONTROL LEVER CRANK						1	
3		SS6121210SP		SCREW 3/16-28 L=12						1	
4	R	SS8150710SP	SS8150710TP	SCREW 15/64-28 L=7						1	1.00
5		MAT81126T00		2-POLE PLUG COVER	FOR DSC-- 244-4-1B,-7-0B					1	
6		D1680141EA0		TOUCH BUCK SWITCH ASM.						1	
7		B1114280000		PIN	FOR DSC-- 244-4-1B,-7-0B					1	
8		10119907		CUSHION	FOR DSC-- 244-4-1B,-7-0B					1	
9		10120004		SPRINGSUSPENSION	FOR DSC-- 244-4-1B,-7-0B					1	
10		B2733761000		PIN	FOR DSC-- 244-4-1B,-7-0B					1	
11		10119709		REVERSE FEED CONNECTING ARM	FOR DSC-- 244-4-1B,-7-0B					1	
12		10119204		SOLENOID INSTALLING PLATE	FOR DSC-- 244-4-1B,-7-0B					1	
13		10119105		REVERSE FEED SOLENOID AC24V	FOR DSC-- 244-4-1B,-7-0B					1	
14		10161305		SOLENOID COVER	FOR DSC-- 244-4-1B,-7-0B					1	
15		10119402		LINK	FOR DSC-- 244-4-1B,-7-0B					1	
16		D1684141E00A		LINK INSTALLING BASE	FOR DSC-- 244-4-1B,-7-0B					1	
17		D2464555B00		LINK DRIVING MAGNET PIN	FOR DSC-- 244-4-1B,-7-0B					1	
18		D1686241E00		REVERSE FEED ROD	FOR DSC-- 244-4-1B,-7-0B					1	
19		D1685141E00		LEVER SPRING	FOR DSC-- 244-4-1B,-7-0B					1	
20		D1687141E00		PIN	FOR DSC-- 244-4-1B,-7-0B					1	
21		GES12155000		CLIP C	FOR DSC-- 244-4-1B,-7-0B					4	
22		NS6150430SP		NUT 15/64-28	FOR DSC-- 244-4-1B,-7-0B					1	
23		SD0720331SP		HINGE SCREW D=7.24 H=3.3	FOR DSC-- 244-4-1B,-7-0B					2	
24		SS7110710SP		SCREW 11/64-40 L=7	FOR DSC-- 244-4-1B,-7-0B					1	
25		SS7151210SP		SCREW15/64-28L=12	FOR DSC-- 244-4-1B,-7-0B					2	
26		SS7121410TP		SCREW 3/16-28 L=14	FOR DSC-- 244-4-1B,-7-0B					1	
27		SS9111010SP		SCREW 11/64-40 L=9.5	FOR DSC-- 244-4-1B,-7-0B					4	
28		SS7151210SP		SCREW15/64-28L=12	FOR DSC-- 244-4-1B,-7-0B					2	
29		SS7110710SP		SCREW 11/64-40 L=7	FOR DSC-- 244-4-1B,-7-0B					1	
30		SS7110710SP		SCREW 11/64-40 L=7	FOR DSC-- 244-4-1B,-7-0B					4	
31		WP0501016SD		WASHER 5X10.5X1	FOR DSC-- 244-4-1B,-7-0B					4	
32		WP0501016SD		WASHER 5X10.5X1	FOR DSC-- 244-4-1B,-7-0B					4	
33		WP0621016SD		WASHER 6.2X13X1	FOR DSC-- 244-4-1B,-7-0B					2	
34		WS0631510KP		SPRING WASHER	FOR DSC-- 244-4-1B,-7-0B					2	
35		WP0501016SD		WASHER 5X10.5X1	FOR DSC-- 244-4-1B,-7-0B					2	

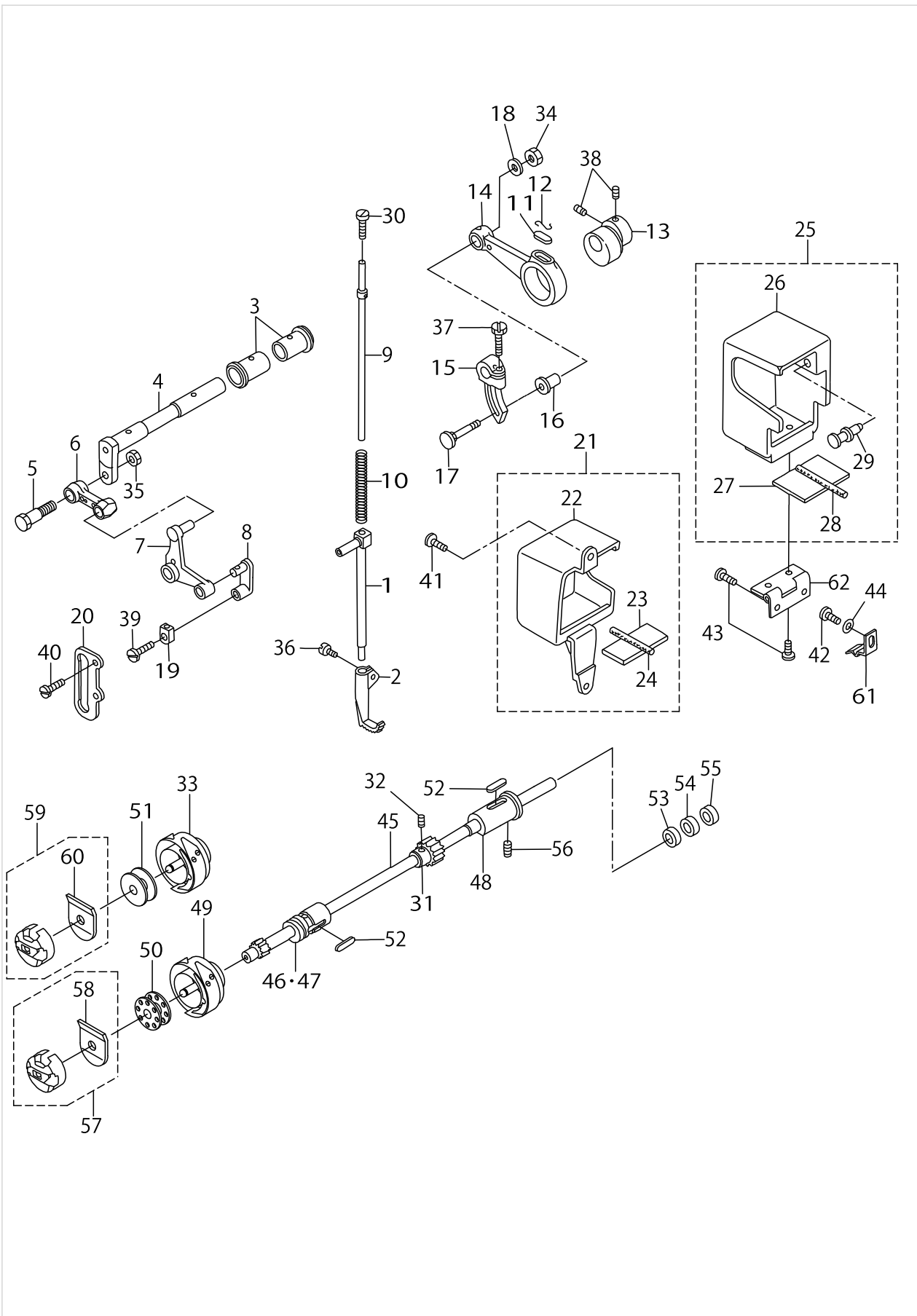
REVERSE FEED MECHANISM COMPONENTS



REVERSE FEED MECHANISM COMPONENTS

No.	Supply Code	Parts No.	Replacement	Parts name	Remarks	Choice	Step	Level	Cons	Qty	Rep. QTY
36		RE0400000K0		E-RING 4	FOR DSC-- 244-4-1B,-7-0B					2	
37		RE0600000K0		E-RING 6	FOR DSC-- 244-4-1B,-7-0B					2	
38		BP300000000		VINYL PIPE	FOR DSC-- 244-4-1B,-7-0B					.1	
39		D1621241E00		FEED CONTROL LEVER SHAFT	FOR DSC-- 244-4-1B,-7-0B					1	
40		B1621241H00		REVERSE FEED CO- NTROL LEVER SHAFT	FOR DSC-- 244,-4-1,-7-00					1	
41		D1624241E0A		REVERSE FEED CONTROL LEVER	FOR DSC-- 244-4-1B,-7-0B					1	
42		B162458600A		REVERSE FEED CONTROL LEVER	FOR DSC-- 244,-4-1,-7-00					1	
43		SS7620750SP		SCREW 3/16-32 L=6.5						2	
44		SS8661040TP		SCREW 1/4-40 L=10	FOR DSC-- 244,-4-1,-7-00					1	
45		SS8660810TP		SCREW 1/4-40 L=8	FOR DSC-- 244,-4-1,-7-00					1	
46		SS7090710SP		SCREW 9/64-40 L=6.8						1	
47		B1646241H00		TENSION SPRING						1	
48		B1648122000		SUSPENSION HOOK (B)						1	

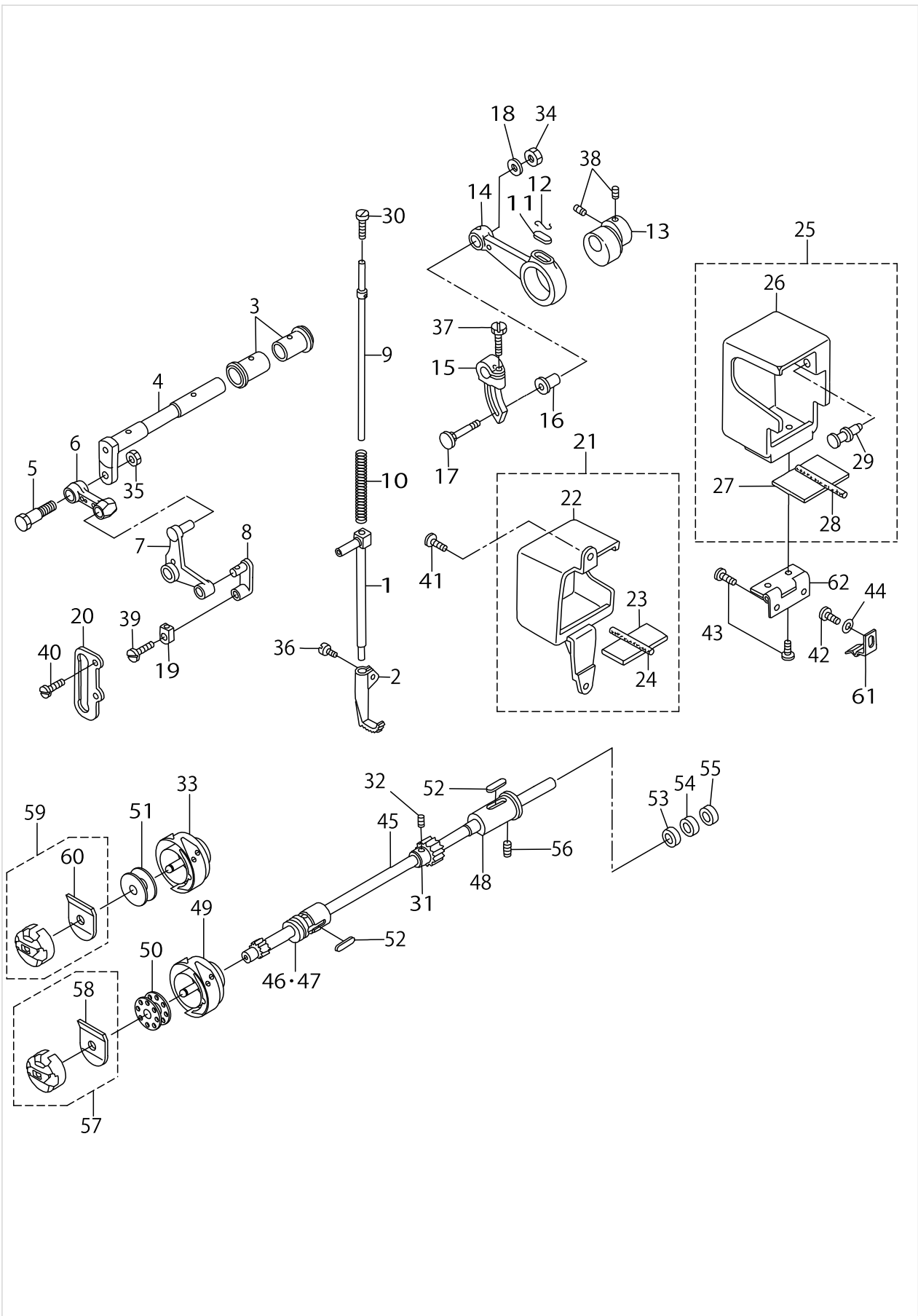
UPPER FEED MECHANISM & HOOK DRIVING SHAFT COMPONENTS



UPPER FEED MECHANISM & HOOK DRIVING SHAFT COMPONENTS

No.	Supply Code	Parts No.	Replacement	Parts name	Remarks	Choice	Step	Level	Cons	Qty	Rep. QTY
1		40033030		WALKING BAR A						1	
2	R	B1470245000	B14702450A0	WALKING FOOT						1	1.00
3		B1455053000		BUSHING						2	
4		10314003		UPPER FEED DRIVING SHAFT						1	
5		B3008141H00		HINGE SCREW						1	
6		D1458241E00		CONNECTING LINK						1	
7		D1459241E00		L SHAPED LINK						1	
8		40143782		WALKING_BAR_DRIVING_LINK						1	
9		B14670530A0		WALKING BAR ASM.						1	
10		B1468053000		WALKING BAR SPRING						1	
11		B1702012000		OIL FELT						1	
12		B1213012000		FELT RETAINER						1	
13		D1450055B00		UPPER FEED DRIVING CAM						1	
14		D1453241E00		UPPER FEED DRIVING ROD						1	
15		40143487		UPPER_FEED_ROD						1	
16		D1455055B00		CONNECTING STUD						1	
17		D1456055B00		HINGE SCREW						1	
18		WP0482086SD		WASHER 4.8X11.5X2						1	
19		B1414555000		SLIDE BLOCK						1	
20		B1467563000		UPPER FEED BAR GUIDE						1	
21		D1480241EAA		UPPER FEED FRONT COVER ASM.						1	
22		D1480241EOA		UPPER FEED FRONT COVER				*		1	
23		D1481241E00		FELT				*		1	
24		CQ303000000		OIL WICK				*		0.2	
25		D1482241EAA		UPPER FEED REAR COVER ASM.						1	
26		D1482241EOA		UPPER FEED REAR COVER				*		1	
27		D1483241E00		FELT				*		1	
28		CQ303000000		OIL WICK				*		0.2	
29		D1484241E00		PIN				*		1	
30		SS6151220SP		SCREW 15/64-28 L=11.5						1	
31		D2405245E00		CAM SHAFT GEAR						1	
32		SS8660530TP		SCREW 1/4-40 L=4.5						2	
33		21209952		SEWING HOOK ASM.	FOR DSC-244-4,-7					1	
34		NS6110530SP		NUT 11/64-40						1	
35		NS6660430SP		NUT 1/4-40						1	
36	R	SS6110710SP	SS6110710TP	SCREW 11/64-40 L=7						1	1.00
37		SS9161610SP		SCREW 1/4-24 L=16						1	
38		SS8660610TP		SCREW 1/4-40 L=6						2	
39		SS7110510SP		SCREW 11/64-40 L=5						1	
40	R	SS7110910SP	SS7110910TP	SCREW 11/64-40 L=8.5						2	1.00
41	R	SS7111120SP	SS7111120TP	SCREW 11/64-40 L=10.5						2	1.00
42		SS7110710SP		SCREW 11/64-40 L=7						1	
43		SS7110710SP		SCREW 11/64-40 L=7						4	
44		WP0450000SD		WASHER 4.5X8X0.5						1	
45		21302104		ROTATING HOOK SHAFT						1	
46		21136205		BUSHING FRONT						1	

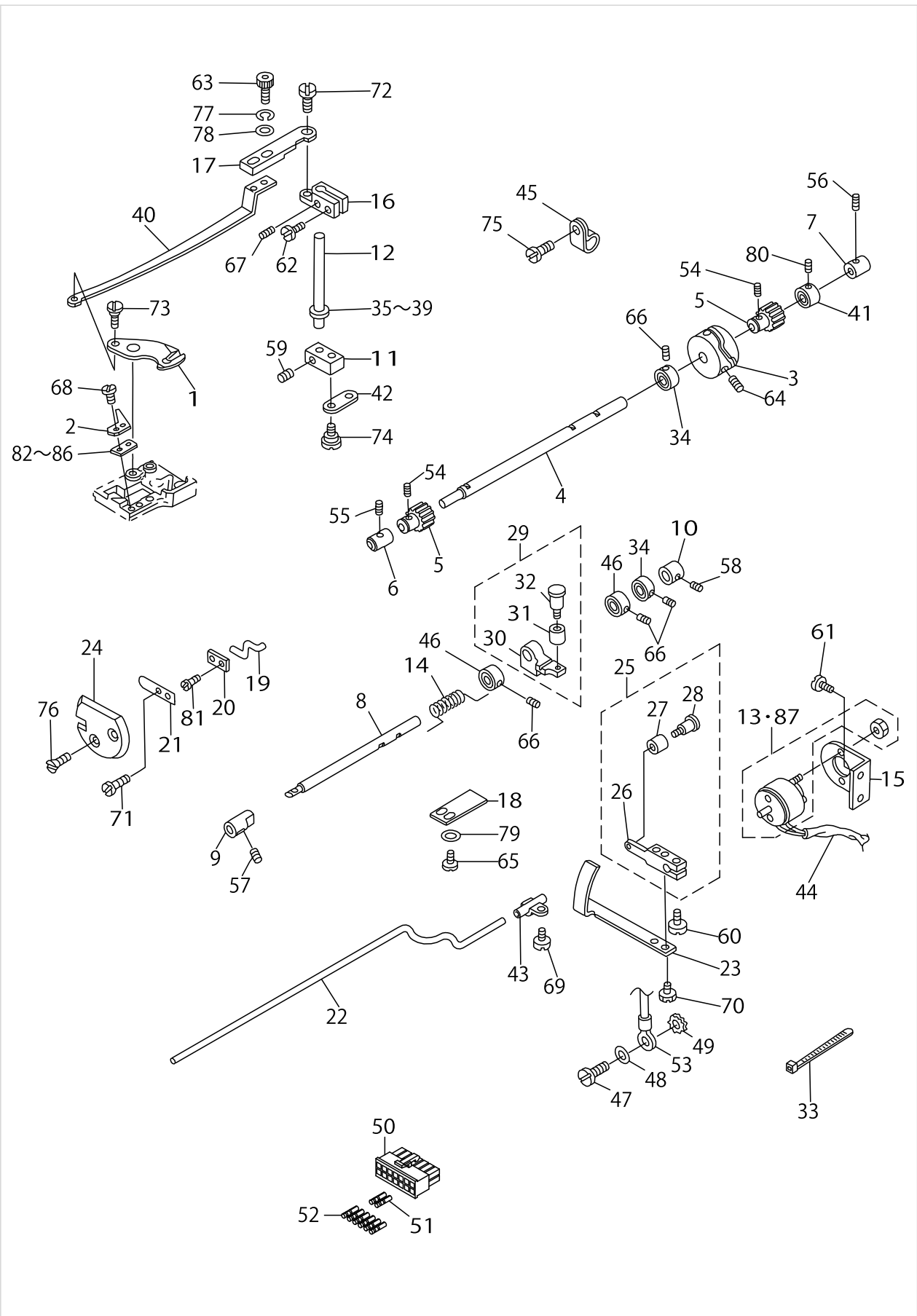
UPPER FEED MECHANISM & HOOK DRIVING SHAFT COMPONENTS



UPPER FEED MECHANISM & HOOK DRIVING SHAFT COMPONENTS

No.	Supply Code	Parts No.	Replacement	Parts name	Remarks	Choice	Step	Level	Cons	Qty	Rep. QTY
47		21136304		BUSHING FRONT	SELECTIVE PARTS					1	
48	D	21136403		BUSHING REAR						1	
49		B18302450A0		HOOK ASM.	FOR DSC-244					1	
50		22932909		BOBBIN	FOR DSC-244					1	
51		22964001		BOBBIN A	FOR DSC-244-4,-7					1	
52		B1806038000		OIL FELT						2	
53		B183924500A		THRUST PLATE	SELECTIVE PARTS					1	
54		B183924500B		THRUST PLATE						1	
55		B183924500C		THRUST PLATE	SELECTIVE PARTS					1	
56		SS8151550SP		SCREW15/64-28L=15						1	
57		B18372450A0		BOBBIN CASE ASM.	FOR DSC-244					1	
58		B1838245000		SPRING				*		1	
59		21210059		BOBBIN CASE ASM.	FOR DSC-244-4,-7					1	
60		21210901		IDLING PREVENTION SPRING				*		1	
61		D1485241E00		UPPER FEED COVER SPRING						1	
62		D1486241E00		UPPER FEED COVER HINGE						1	

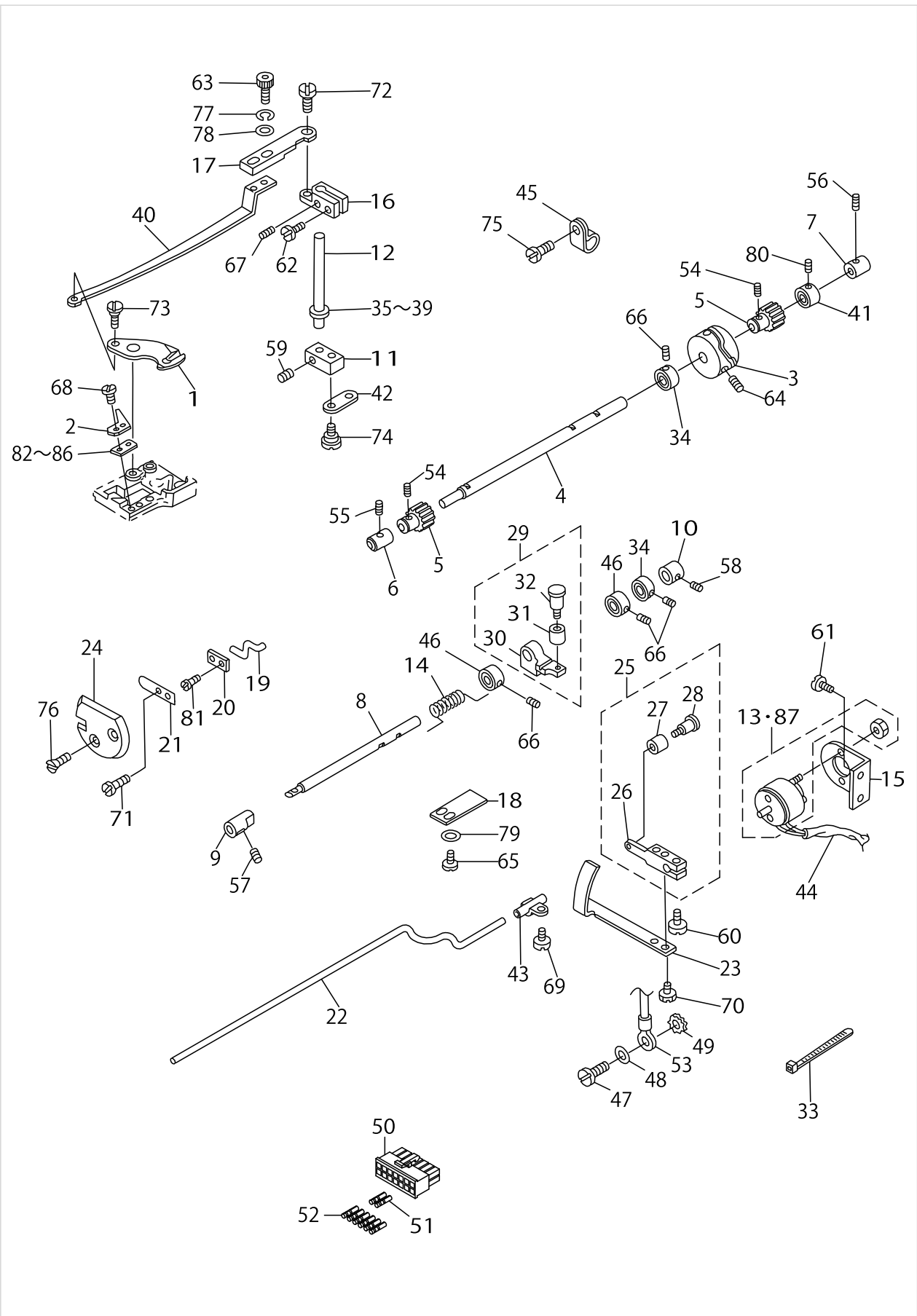
THREAD TRIMMER COMPONENTS



THREAD TRIMMER COMPONENTS

No.	Supply Code	Parts No.	Replacement	Parts name	Remarks	Choice	Step	Level	Cons	Qty	Rep. QTY
1		D2401245E00		MOVING KNIFE	FOR DSC-244-4,-7					1	
2		D2402245E00		COUNTER KNIFE	FOR DSC-244-4,-7					1	
3		D2403245E00		THREAD TRIMMER CAM	FOR DSC-244-4,-7					1	
4		D2404245E00		CAM SHAFT	FOR DSC-244-4,-7					1	
5		D2405245E00		CAM SHAFT GEAR	FOR DSC-244-4,-7					2	
6		D2406245E0A		HOOK SHAFT BUSHING FRONT	FOR DSC-244-4,-7					1	
7		21136601		CAM SHAFT BUSHING REAR	FOR DSC-244-4,-7					1	
8		D2409245E00		DRIVING SHAFT A	FOR DSC-244-4,-7					1	
9		D2410245E00		BUSHING FRONT	FOR DSC-244-4,-7					1	
10		D2411245E00		BUSHING REAR	FOR DSC-244-4,-7					1	
11		D2412245E00		KNIFE DRIVING SHAFT ARM A	FOR DSC-244-4,-7					1	
12	D	D2413245E00		DRIVING SHAFT B	FOR DSC-244-4,-7					1	
13		D2414245E00		SOLENOID	FOR DSC-244-4					1	
14		D2416245E00		SPRING	FOR DSC-244-4,-7					1	
15		D2418245E00		SOLENOID BASE	FOR DSC-244-4,-7					1	
16		D2419245E00		KNIFE DRIVING LINK B	FOR DSC-244-4,-7					1	
17		D2420245E00		KNIFE DRIVING PLATE B	FOR DSC-244-4,-7					1	
18		D2421245E00		CAM ROLLER ARM HOLDER	FOR DSC-244-4,-7					1	
19		D2424245E00		PICKER	FOR DSC-244-4,-7					1	
20		D2425245E00		PICKER HOLDER PLATE	FOR DSC-244-4,-7					1	
21		D2426245E00		SPRING	FOR DSC-244-4,-7					1	
22		D2427245E00		PICKER DRIVING BAR	FOR DSC-244-4,-7					1	
23		D2428245E00		PICKER DRIVING PLATE	FOR DSC-244-4,-7					1	
24		D2429245E00		PICKER COVER	FOR DSC-244-4,-7					1	
25		D2415245EA0		SOLENOID ARM ASM.	FOR DSC-244-4,-7					1	
26		D2415245E00		SOLENOID ARM				*		1	
27		B3031141H00		CONNECTING STUD				*		1	
28		D2423245E00		CAM ROLLER ARM				*		1	
29		D2417245EA0		CAM ROLLER ARM ASM.	FOR DSC-244-4,-7					1	
30		D2417245E00		CAM ROLLER ARM				*		1	
31		B3031141H00		CONNECTING STUD				*		1	
32		D2423245E00		CAM ROLLER ARM				*		1	
33		GES12153000		OIL WICK HOLDER	FOR DSC-244-4,-7					5	
34		D2432245E00		THRUST COLLER	FOR DSC-244-4,-7					2	
35		B185351200AA		HOOK SHAFT WASHER A	SELECTIVE PARTS FOR DSC-244-4,-7					1	
36		B185351200BA		HOOK SHAFT WASHER B	SELECTIVE PARTS FOR DSC-244-4,-7					1	
37		B185351200CA		HOOK SHAFT WASHER C	FOR DSC-244-4,-7					1	
38		B185351200D		HOOK SHAFT WASHER	SELECTIVE PARTS FOR DSC-244-4,-7					1	
39		B185351200E		HOOK SHAFT WASHER	SELECTIVE PARTS FOR DSC-244-4,-7					1	
40		D2431245E00		KNIFE DRIVING PLATE A	FOR DSC-244-4,-7					1	
41		D1841141E00		THRUST COLLAR	FOR DSC-244-4,-7					1	
42		D2436141E00		CONNECTING LINK	FOR DSC-244-4,-7					1	

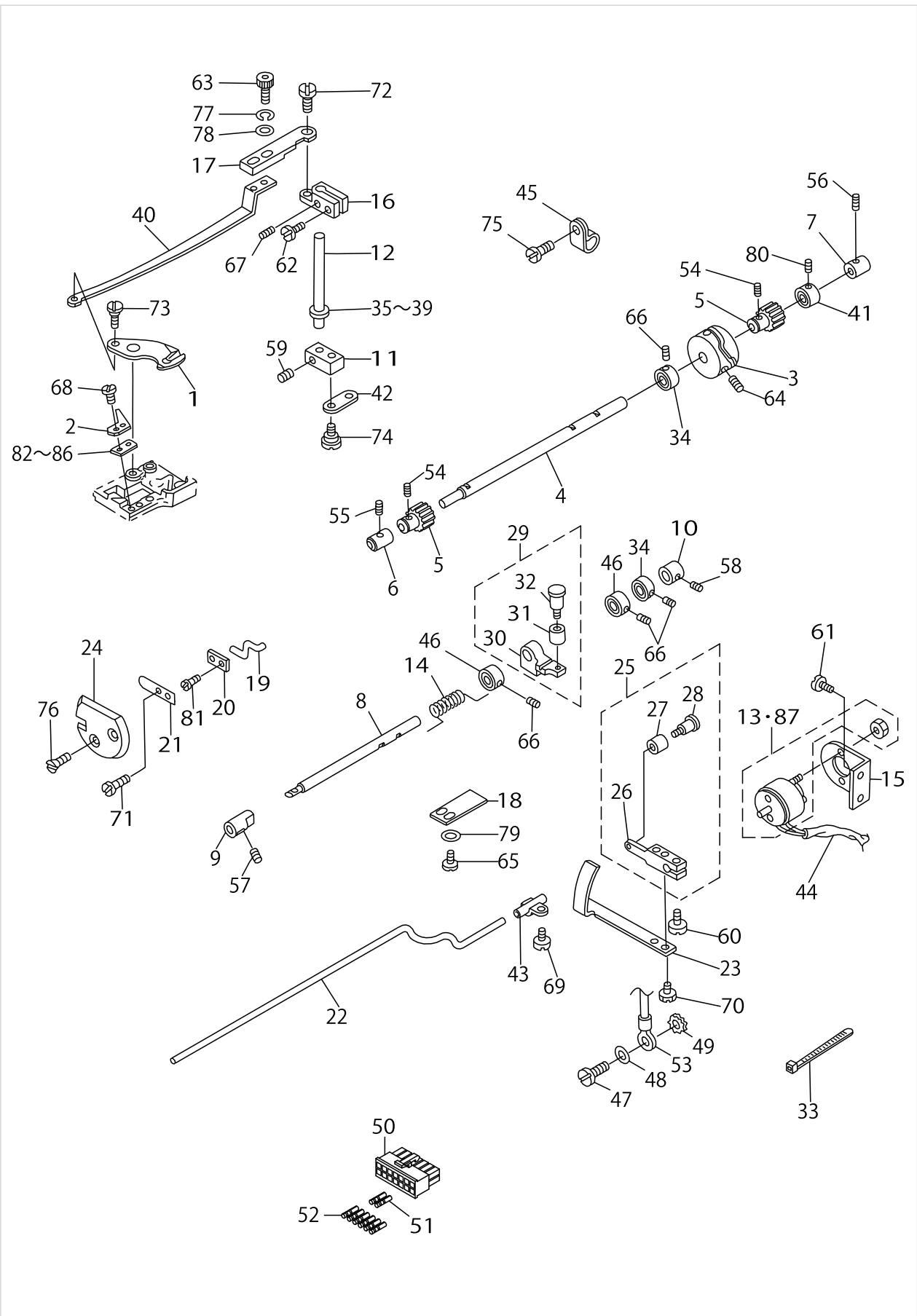
THREAD TRIMMER COMPONENTS



THREAD TRIMMER COMPONENTS

No.	Supply Code	Parts No.	Replacement	Parts name	Remarks	Choice	Step	Level	Cons	Qty	Rep. QTY
43	D	D2430245EA0		PICKER DRIVING B-AR HOLDER ASM.	FOR DSC-244-4,-7					1	
44		D2428141E00		CORD TUBE 5X0.4	FOR DSC-244-4,-7					1	
45		D2120555C00		CORD PRESSER (120V)	FOR DSC-244-4,-7					4	
46		D2432245E0A		THRUST COLLAR A	FOR DSC-244-4,-7					2	
47		SS7110710SP		SCREW 11/64-40 L=7	FOR DSC-244-4,-7					1	
48		WP0501016SD		WASHER 5X10.5X1	FOR DSC-244-4,-7					1	
49		WT0530002KS		TOOTHED WASHER D=5.3	FOR DSC-244-4,-7					1	
50		HK034610140		HOUSING 14P	FOR DSC-244-7					1	
51		HK03464000B		PIN CONTACT	FOR DSC-244-7-00					2	
52		HK03464000B		PIN CONTACT	FOR DSC-244-7-0B					6	
53		D6037245GA0		GROUND WIRE ASM.	FOR DSC-244-7					1	
54		SS8660530TP		SCREW 1/4-40 L=4.5	FOR DSC-244-4,-7					4	
55		SS8151230SP		SCREW 15/64-28L=12	FOR DSC-244-4,-7					1	
56		SS8151230SP		SCREW 15/64-28L=12	FOR DSC-244-4,-7					1	
57		SS8151230SP		SCREW 15/64-28L=12	FOR DSC-244-4,-7					1	
58		SS8151230SP		SCREW 15/64-28L=12	FOR DSC-244-4,-7					1	
59		SS7110540SP		SCREW 11/64-40 L=5	FOR DSC-244-4,-7					2	
60	R	SS7110910SP	SS7110910TP	SCREW 11/64-40 L=8.5	FOR DSC-244-4,-7					1	1.00
61	R	SS7110910SP	SS7110910TP	SCREW 11/64-40 L=8.5	FOR DSC-244-4,-7					2	1.00
62		SS7111410TP		SCREW 11/64-40L=14	FOR DSC-244-4,-7					1	
63		SS7091410SP		SCREW 9/64-40 L=13.5	FOR DSC-244-4,-7					2	
64		SS8660612TP		SCREW 1/4-40 L=6	FOR DSC-244-4,-7					2	
65		SS6090810SP		SCREW 9/64-40 L=7.5	FOR DSC-244-4,-7					2	
66		D2434245E00		SCREW	FOR DSC-244-4,-7					8	
67		SS8090410SP		SCREW 9/64-40 L=3.5	FOR DSC-244-4,-7					1	
68		SS7060310SP		SCREW 3/32-56 L=3	FOR DSC-244-4,-7					2	
69		SS7110710SP		SCREW 11/64-40 L=7	FOR DSC-244-4,-7					1	
70		SS6090510TP		SCREW 9/64-40 L=5.0	FOR DSC-244-4,-7					2	
71		SS5060310SP		SCREW 3/32-56 L=2.8	FOR DSC-244-4,-7					2	
72		D2433245E00		HINGE SCREW	FOR DSC-244-4,-7					1	
73		SD0640321SP		HINGE SCREW D=6.35 H=3.2	FOR DSC-244-4,-7					1	
74		D2441141E00		HINGE SCREW	FOR DSC-244-4,-7					1	
75		SS7110710SP		SCREW 11/64-40 L=7	FOR DSC-244-4,-7					1	
76		D2436245E00		SCREW	FOR DSC-244-4,-7					2	
77		WS0410002KN		SPRING WASHER	FOR DSC-244-4,-7					2	
78		WP0371026SD		WASHER 3.7X7X1	FOR DSC-244-4,-7					2	
79		WP0371026SD		WASHER 3.7X7X1	FOR DSC-244-4,-7					2	
80		SS8660410SP		SCREW 1/4-40 L=4.2	FOR DSC-244-4,-7					2	
81		D2435245E00		SCREW	FOR DSC-244-4,-7					2	
82		21212600		SUPPORT PLAT	SELECTIVE PARTS FOR DSC-244-4,-7					1	
83		21212709		SUPPORT PLAT	SELECTIVE PARTS FOR DSC-244-4,-7					1	
84		21212808		SUPPORT PLAT	FOR DSC-244-4,-7					1	
85		21212907		SUPPORT PLAT	SELECTIVE PARTS FOR DSC-244-4,-7					1	

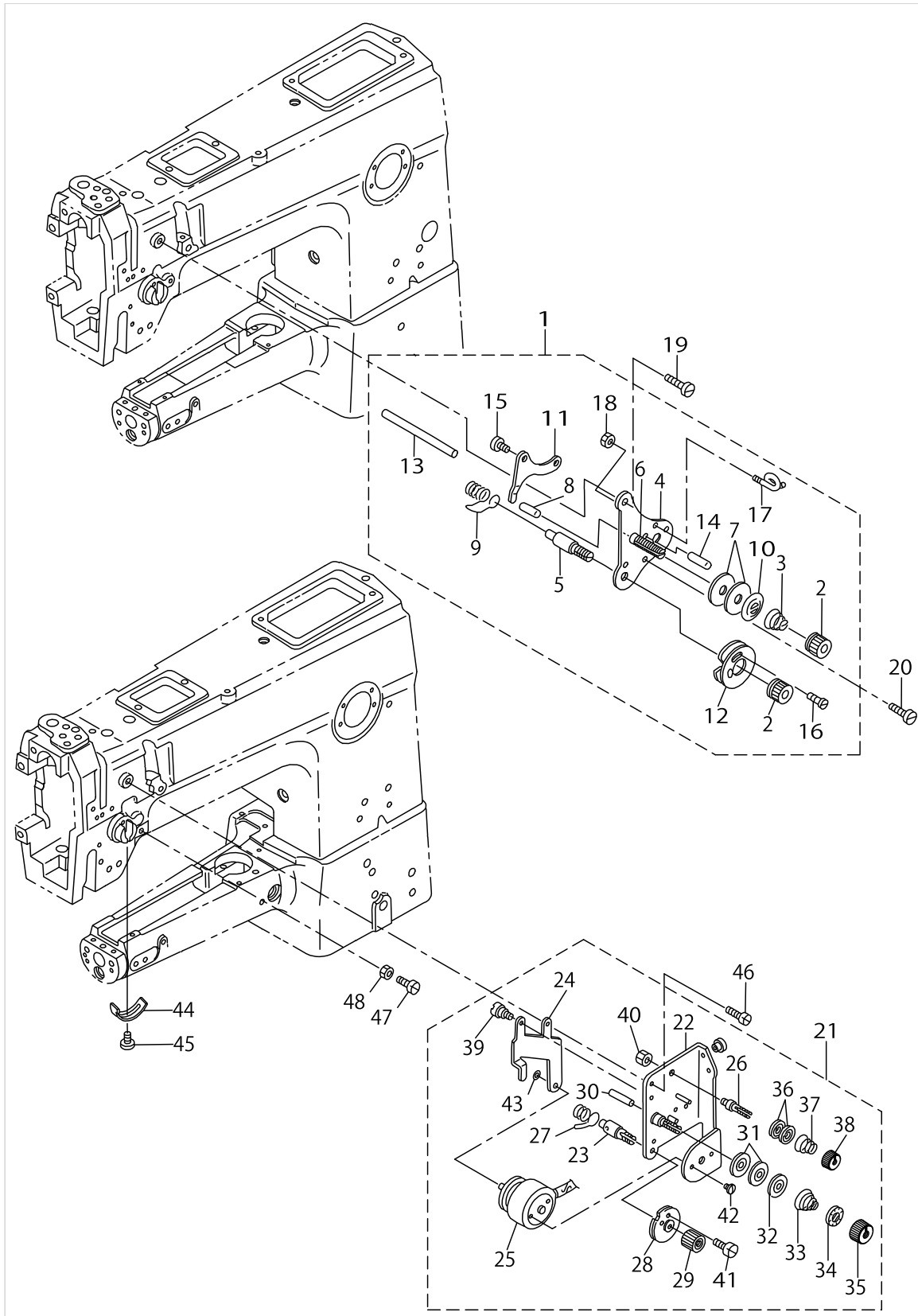
THREAD TRIMMER COMPONENTS



THREAD TRIMMER COMPONENTS

No.	Supply Code	Parts No.	Replacement	Parts name	Remarks	Choice	Step	Level	Cons	Qty	Rep. QTY
86		21213004		SUPPORT PLAT	SELECTIVE PARTS FOR DSC-244-4,-7					1	
87		D2414245E0A		SOLENOID	FOR DSC-244-7					1	

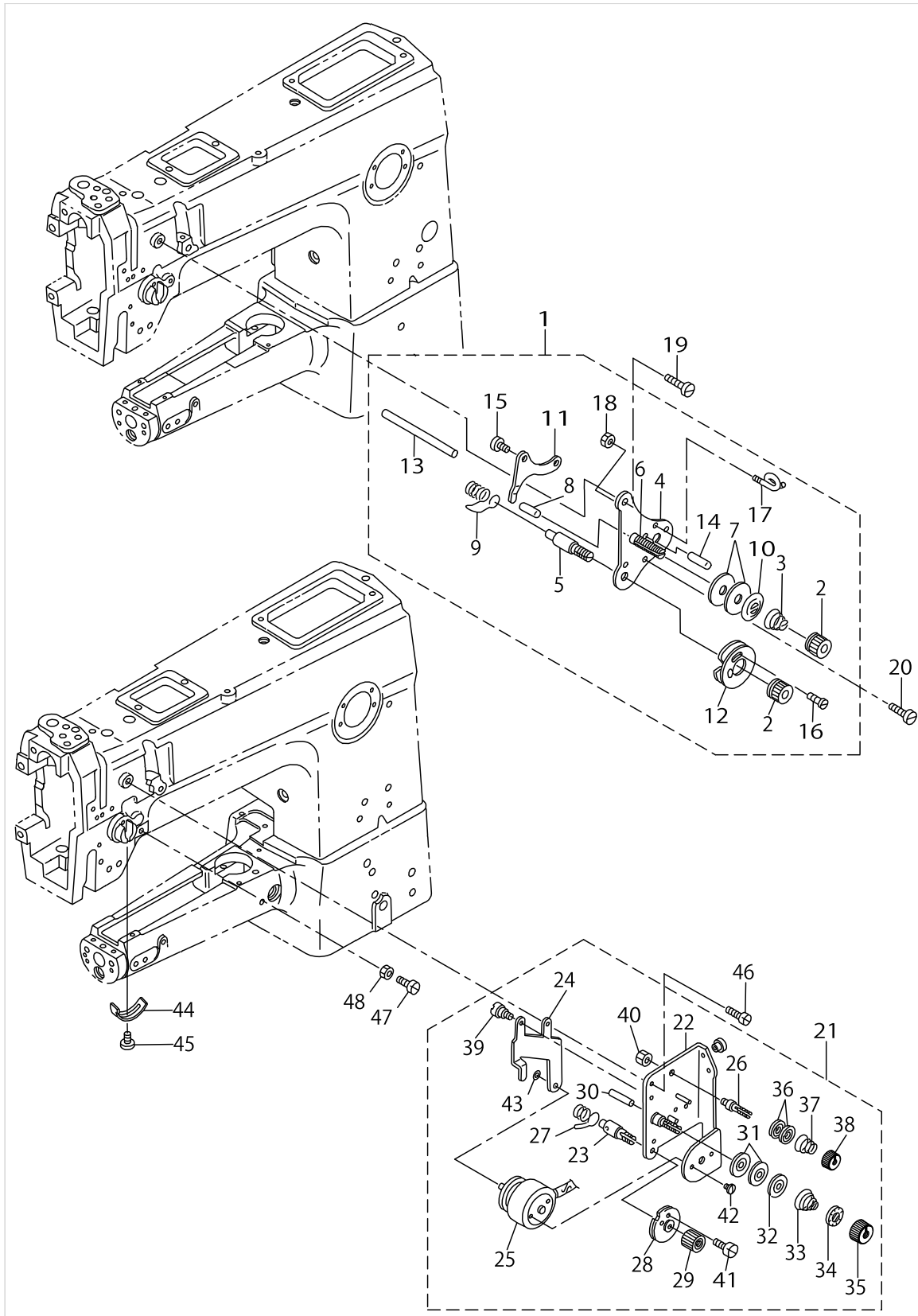
THREAD TENSION COMPONENTS



THREAD TENSION COMPONENTS

No.	Supply Code	Parts No.	Replacement	Parts name	Remarks	Choice	Step	Level	Cons	Qty	Rep. QTY
1		B31212450A0		TENSION CONTROLLER ASM.	FOR DSC-244					1	
2	R	B3125012000	22928808	THREAD TENSION NUT				*		2	1.00
3		B3129053000		TENSION SPRING				*		1	
4		B3421245000		CHAIN				*		1	
5		B3123051000		TAKE-UP SPRING STUD				*		1	
6		B3124051000		TENSION STUD				*		1	
7		B3126051000		TENSION DISC				*		2	
8		B3127051000		TENSION RELEASE PIN SHORT				*		1	
9		B3128051000		THREAD TAKE-UP SPRING A				*		1	
10		B3132051000		TENSION DISC HOLDER				*		1	
11	D	B3134051000		TENSION RELEASE LEVER				*		1	
12		B31370510A0		TAKE-UP SPRING GUIDE DISC ASM.				*		1	
13		B3122053000		TENSION RELEASE BAR				*		1	
14		PS0200122K0		SPRING PIN 2.0X12				*		1	
15		SD0470281SP		HINGE SCREW D=4.7 H=2.8				*		2	
16	R	SS4080610SP	SS4080620TP	SCREW 1/8-44 L=6.4				*		1	1.00
17		B3114761000		FRAME THREAD GUIDE B				*		1	
18		NS6060350SP		NUT 3/32-56				*		1	
19		SS7110710SP		SCREW 11/64-40 L=7	FOR DSC-244					1	
20		SS2090710TP		SCREW 9/64-40 L=7.2	FOR DSC-244					1	
21		10320075		TENSION POST ASM.	FOR DSC-244-4,-7					1	
22		10320059		TENSION POST BASE ASM.				*		1	
23		10320109		SCREW STUD				*		1	
24		10320505		TENSION RELEASE LEVER				*		1	
25		10320703		TENSION RELEASE SOLENOID				*		1	
26		10124204		THREAD TENSION POST A				*		1	
27		B3128051000		THREAD TAKE-UP SPRING A				*		1	
28		B31375270A0		TAKE-UP SPRING GUIDE ASM.				*		1	
29		10320208		THRED TENSION STUD NUT				*		1	
30		B3127051000		TENSION RELEASE PIN SHORT				*		1	
31		B3126051000		TENSION DISC				*		2	
32		B3132051000		TENSION DISC HOLDER				*		1	
33		B3129053000		TENSION SPRING				*		1	
34		B3120125000		ROTATING STOPPER				*		1	
35		11072204		TENSION NUT				*		1	
36	R	B3214047000	22945802	BOBBIN WINDER TENSION DISC				*		2	1.00
37		D3168555H0B		TENSION SPRING NO.1				*		1	
38		11072402		THREAD TENSION NUT				*		1	
39		SD0470281SP		HINGE SCREW D=4.7 H=2.8				*		2	
40		NS6110310SP		NUT 11/64-40				*		1	
41		SS3090710TP		SCREW 9/64-40 L=7				*		1	
42		SS7110510SP		SCREW 11/64-40 L=5				*		2	
43		WS0310002KR		SPRING WASHER 3.1X5.9X0.7				*		1	
44		B3138512000		TAKE-UP SPRING A-DJUSTING PLATE						1	
45	R	SS7090520SP	SS7090520TP	SCREW 9/64-40 L=4.5						1	1.00

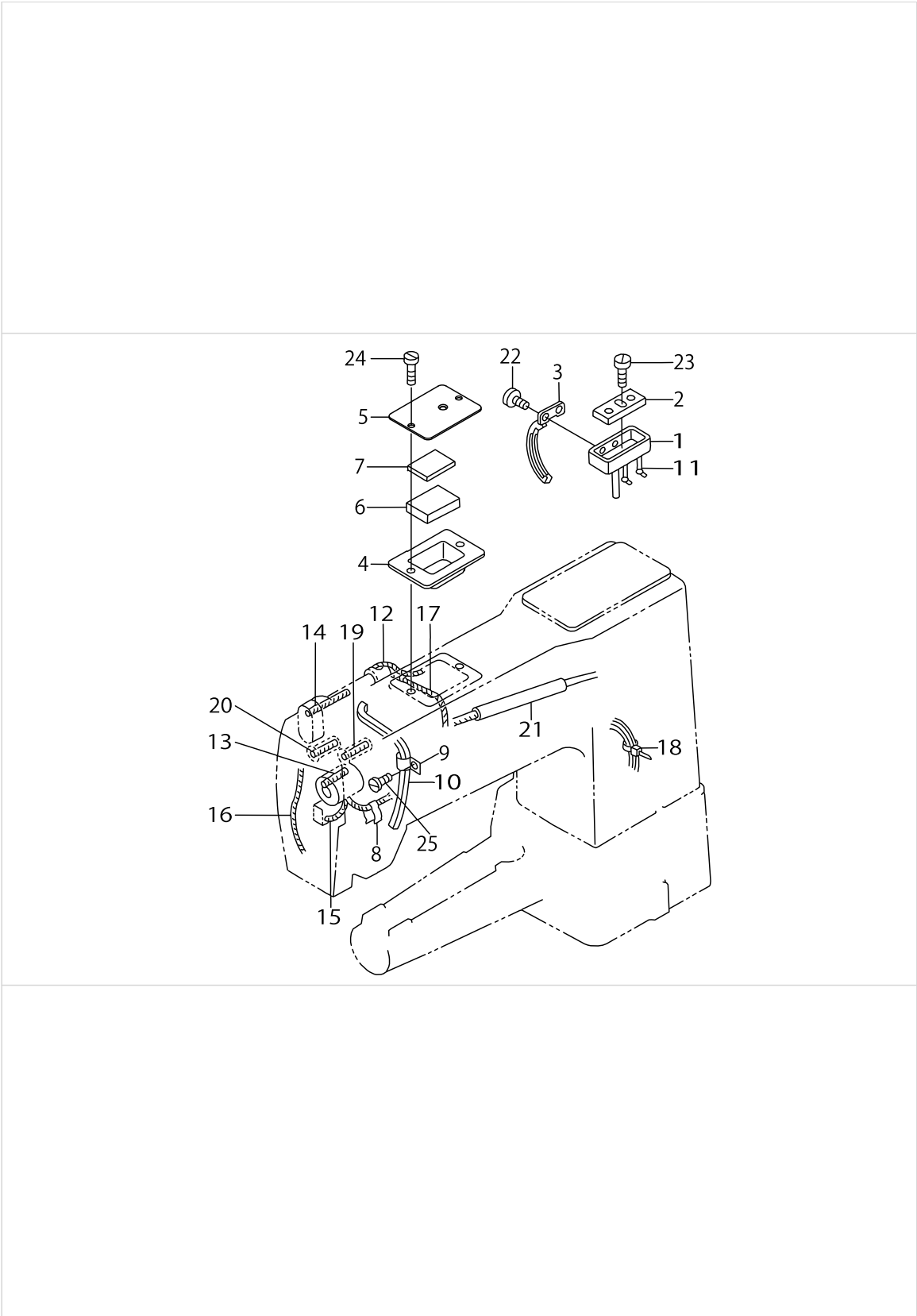
THREAD TENSION COMPONENTS



THREAD TENSION COMPONENTS

No.	Supply Code	Parts No.	Replacement	Parts name	Remarks	Choice	Step	Level	Cons	Qty	Rep. QTY
46		SS7110710SP		SCREW 11/64-40 L=7	FOR DSC-244-4,-7					2	
47		SS6111140SP		SCREW 11/64-40 L=11	FOR DSC-244-4,-7					1	
48		NS6110350SP		NUT 11/64-40	FOR DSC-244-4,-7					1	

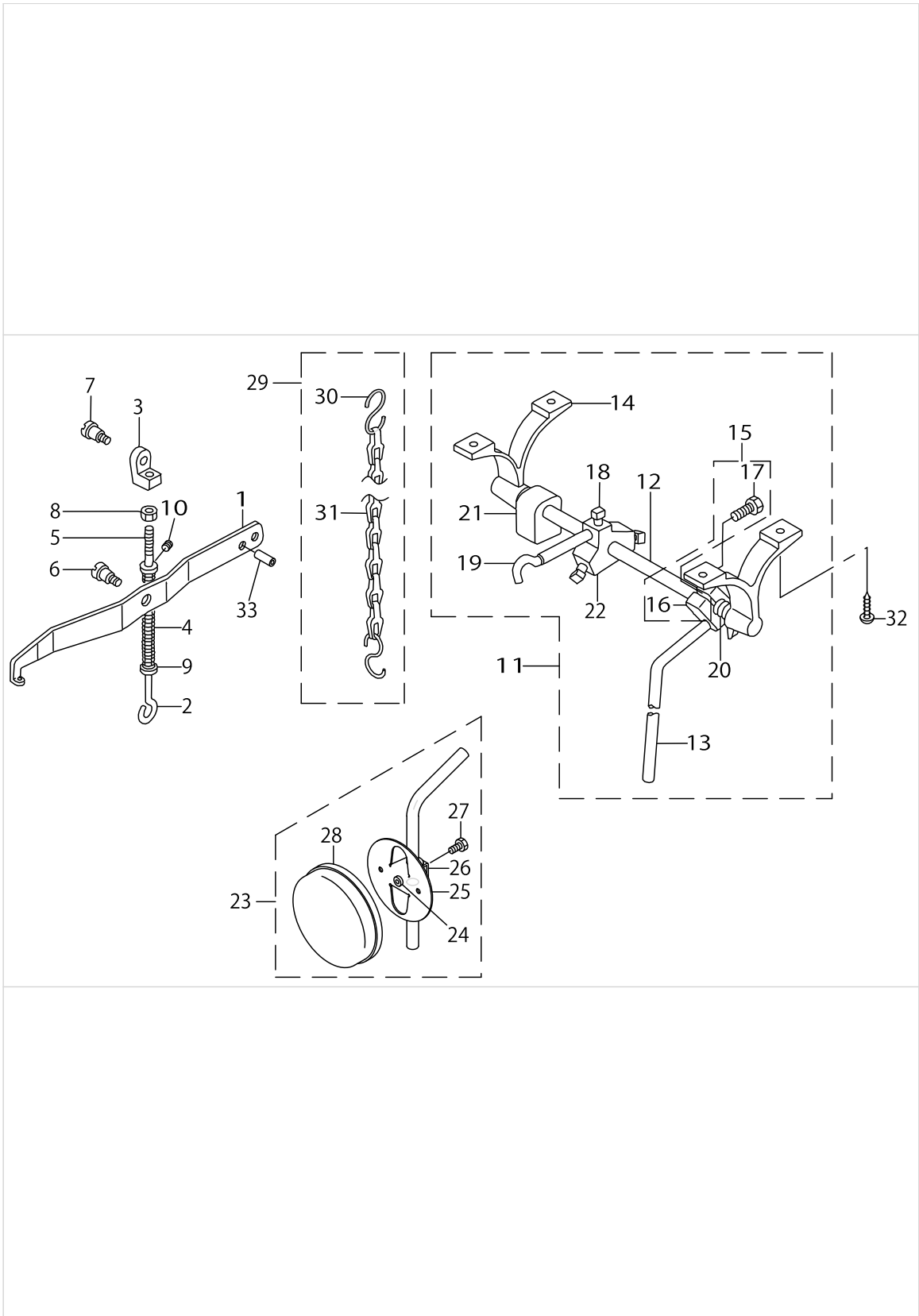
LUBRICATION COMPONENTS



LUBRICATION COMPONENTS

No.	Supply Code	Parts No.	Replacement	Parts name	Remarks	Choice	Step	Level	Cons	Qty	Rep. QTY
1		B8217241H00		OIL RESERVOIR						1	
2		B8218241H00		OIL PAD						1	
3		B3502115000		OIL WICK RETAINER						1	
4	D	D3501241E00		OIL TANK						1	
5		D3502241E0A		OIL TANK COVER						1	
6	D	D3503241E00		FELT						1	
7	D	D3504241E00		OIL SPONGE						1	
8		B1437051000		OIL WICK RETAINER						1	
9		B3508512000		OIL FELT HOLDER						1	
10		21136908		FELT						1	
11		CQ202000000		OIL WICK						.4	
12		CQ202000000		OIL WICK						.1	
13		CQ202000000		OIL WICK						.2	
14		CQ202000000		OIL WICK						1	
15		CQ202000000		OIL WICK						.2	
16		CQ202000000		OIL WICK						1	
17		CQ202000000		OIL WICK						.1	
18		EA9500B0100		CABLE BAND						3	
19		D3505241E00		OIL WICK						1	
20		CQ252000000		OIL WICK						.1	
21		BP800000000		VINYL TUBE WHITE D=8						.4	
22		SS7080510TP		SCREW 1/8-44 L=4.5						2	
23	R	SS7111810SP	SS7111810TP	SCREW 11/64-40L=18						1	1.00
24		SS7110710SP		SCREW 11/64-40 L=7						2	
25		SS7110710SP		SCREW 11/64-40 L=7						1	

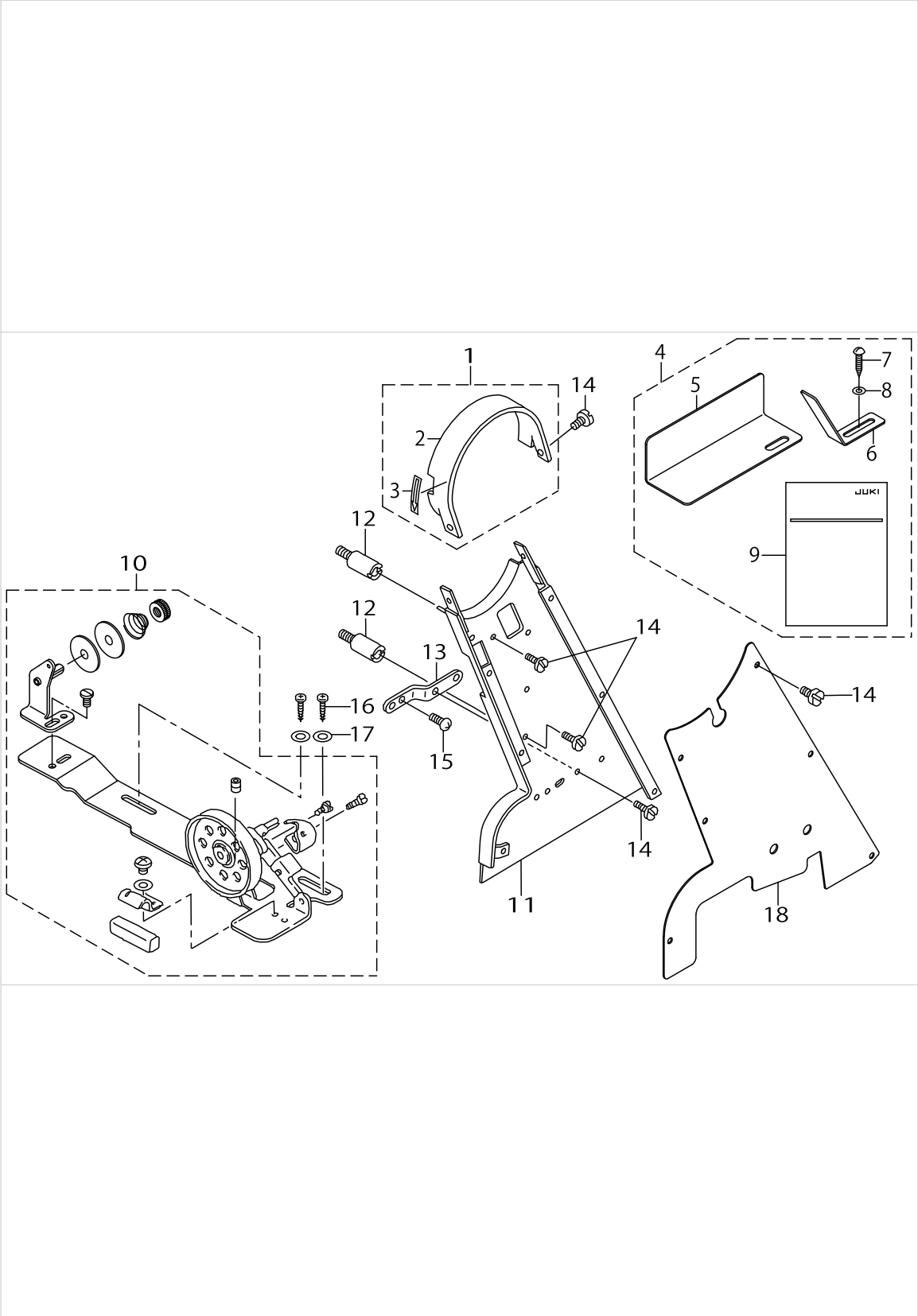
KNEE LIFTER COMPONENTS



KNEE LIFTER COMPONENTS

No.	Supply Code	Parts No.	Replacement	Parts name	Remarks	Choice	Step	Level	Cons	Qty	Rep. QTY
1		D3410241E00		PRESSER BAR LIFTING LEVER						1	
2	R	B3425245000	B3425245000A	KNEE LIFTER ARM						1	1.00
3		B3416141H00A		SWIVEL						1	
4		B3414245000		SPRING						1	
5		B3418245000		SPRING HOLDER						1	
6		SD0790361SP		HINGE SCREW D=7.94 H=3.6						1	
7		SD0790351SP		HINGE SCREW D=7.9 H=3.5						1	
8		NS6620310SP		NUT 3/16-32						1	
9		WP0621016SD		WASHER 6.2X13X1						1	
10		SS7110730SP		SCREW 11/64-40 L=6.5						1	
11		B34202450A0		KNEE LIFTER ASM.						1	
12		B3420245000		MAIN SHAFT				*		1	
13		B3422245000		KNEE LIFTER PLATE ROD				*		1	
14		B3423245000		KNEE PRESS ROD HOLDER				*		2	
15		22932453		BRACKET ASM.				*		1	
16	R	22932404	22932453	BRACKET				*		1	1.00
17		22934707		SCREW				*		2	
18	R	B3425141H00	SS9201813CP	MOUNTING BRACKET SET SCREW				*		3	1.00
19		B3424245000		KNEE LIFTER PLATE ARM				*		1	
20		B3425245000A		SPRING				*		1	
21		B3434141H00		BRACKET				*		1	
22		B3424141H00		MOUNTING BRACKET				*		1	
23	R	B34262450A0	23037856	KNEE PAD PLATE ASM.						1	1.00
24		22934400		KNEE PAD PLATE RUBBER				*		1	
25		22934202		KNEE PAD PLATE				*		1	
26		22934301		KNEE PAD PLATE SUPPORT				*		1	
27		SM9061203SE		SCREW M6 L=12				*		1	
28		22934509		KNEE PAD PLATE COVER				*		1	
29		B34212450A0		CHAIN ASM.						1	
30		13160304		S SHAPED HOOK				*		2	
31		B3421245000		CHAIN				*		1	
32		SK1483201SE		WOOD SCREW D=4.8 L=32						4	
33		PS060024100		SPRING PIN 6X24						1	

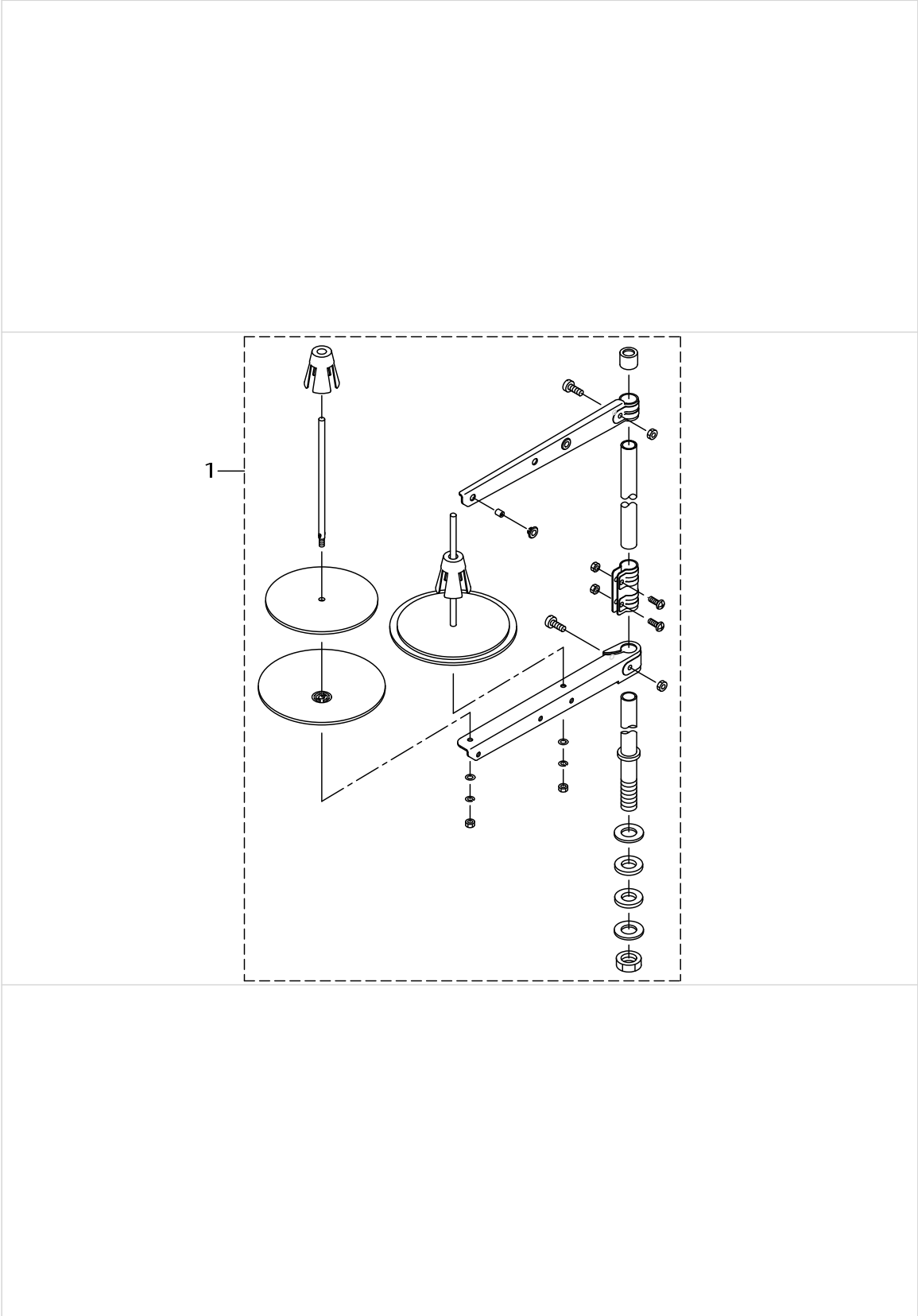
BELT COVER & THREAD WINDER COMPONENTS



BELT COVER & THREAD WINDER COMPONENTS

No.	Supply Code	Parts No.	Replacement	Parts name	Remarks	Choice	Step	Level	Cons	Qty	Rep. QTY
1		B91012450AA		BELT COVER(WITH LABEL)						1	
2		B910124500A		TOP COVER				*		1	
3		CM500300001		DIRECTION LABEL				*		1	
4		B91122450AA		BELT COVER ASM.	FOR JE					1	
5		B911224500A		SIDE COVER				*		1	
6		B911324500A		REAR COVER				*		1	
7	R	SK3482500SC	SK3482501SE	WOOD SCREW D=4.8 L=25				*		1	1.00
8		WP0501016SC		WASHER 5X10.5X1				*		1	
9		29183803		BELT COVER INST- RUCTION MANUAL				*		1	
10		22927354		BOBBIN WINDER COMPL.						1	
11		B91022450AA		BELT COVER ASM.						1	
12		B9106245000		BELT COVER SUPPORT BAR						2	
13		B9108245000		BELT COVER SUPPORT						1	
14		SS6110480SP		SCREW 11/64-40 L=4.3						12	
15		SS6111140SP		SCREW 11/64-40L=11						2	
16	R	SK3482500SC	SK3482501SE	WOOD SCREW D=4.8 L=25						2	1.00
17		WP0501016SD		WASHER 5X10.5X1						2	
18		B910424600A		BELT COVER						1	

THREAD STAND COMPONENTS



THREAD STAND COMPONENTS

No.	Supply Code	Parts No.	Replacement	Parts name	Remarks	Choice	Step	Level	Cons	Qty	Rep. QTY
1		40096354		THREAD STAND ASM.						1	

TABLE COMPONENTS

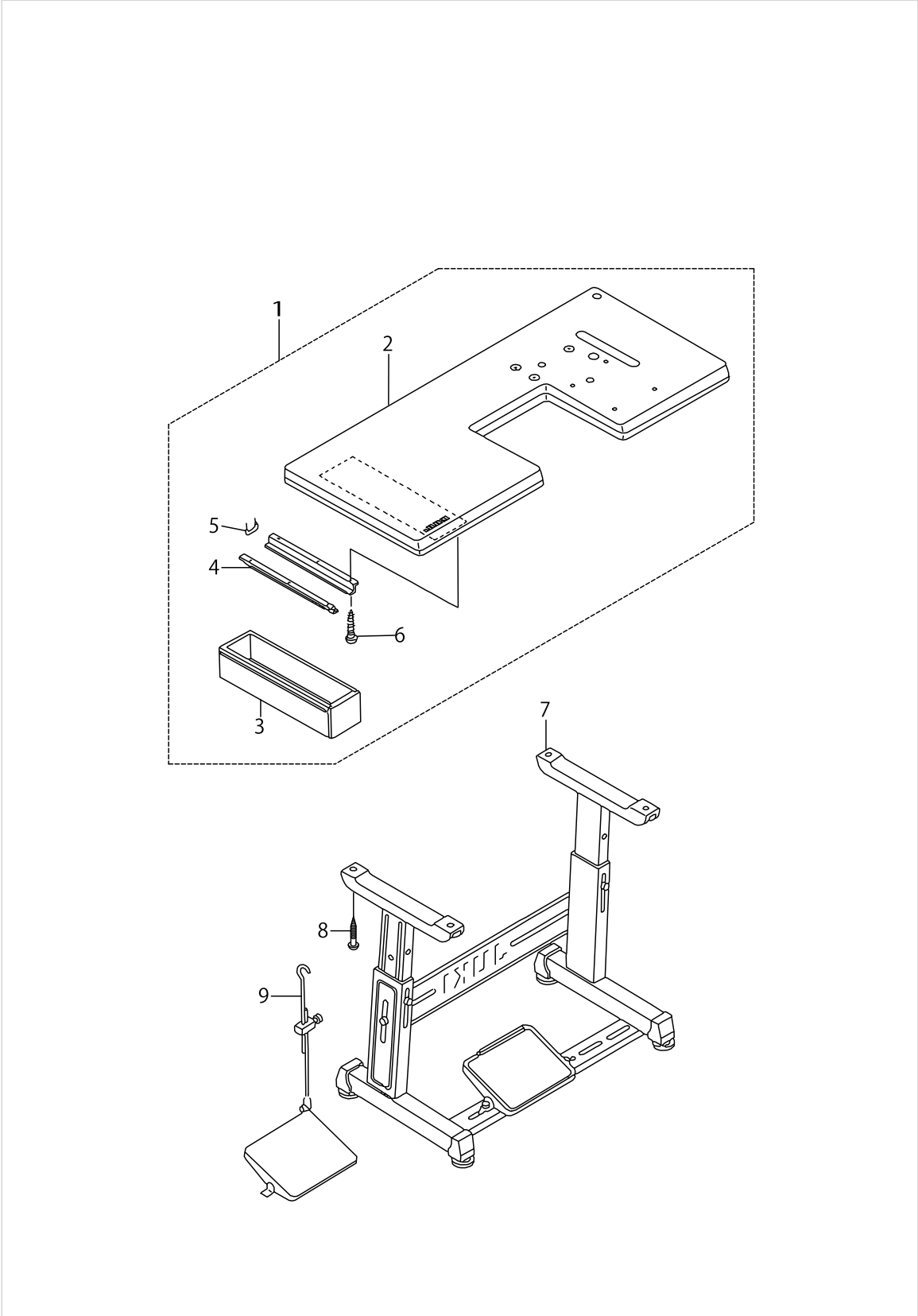
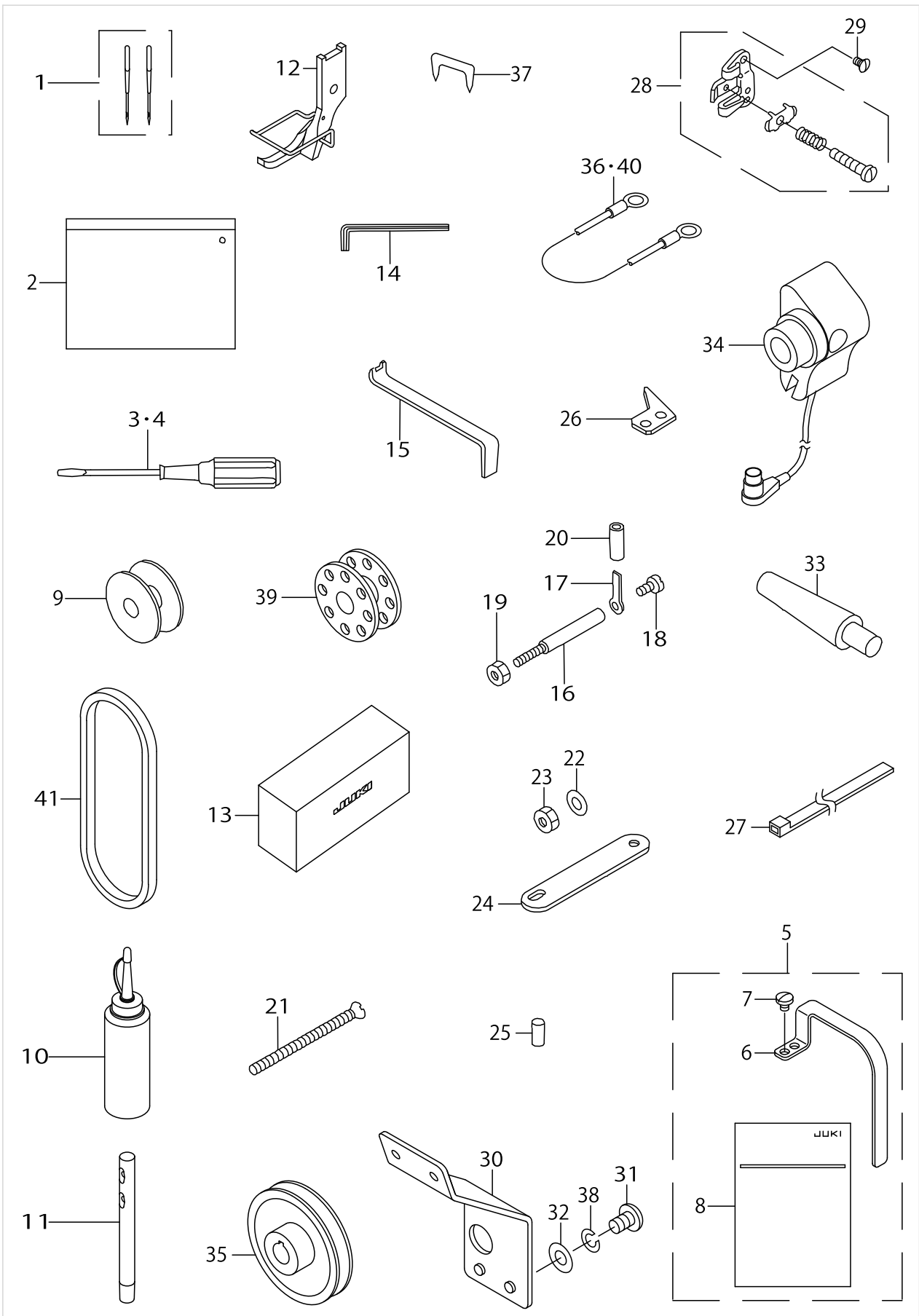


TABLE COMPONENTS

No.	Supply Code	Parts No.	Replacement	Parts name	Remarks	Choice	Step	Level	Cons	Qty	Rep. QTY
1		D8201245GA0		TABLE ASM.						1	
2		D8201245G00		TABLE				*		1	
3	R	11155108	11155157	DRAWER				*		1	1.00
4		11155207		DRAWER SUPPORT				*		2	
5		D8204555D00		DRAWER STOPPER				*		1	
6		SK3311600SE		WOOD SCREW D=3.1 L=16				*		6	
7		11157567		T LEG JUNCTION						1	
8	R	SK3513200SC	SK3513201SE	WOOD SCREW D=5.1 L=32						4	1.00
9		B71140120A0		MOTOR CONNECTING ROD ASM.	FOR DSC-244					1	

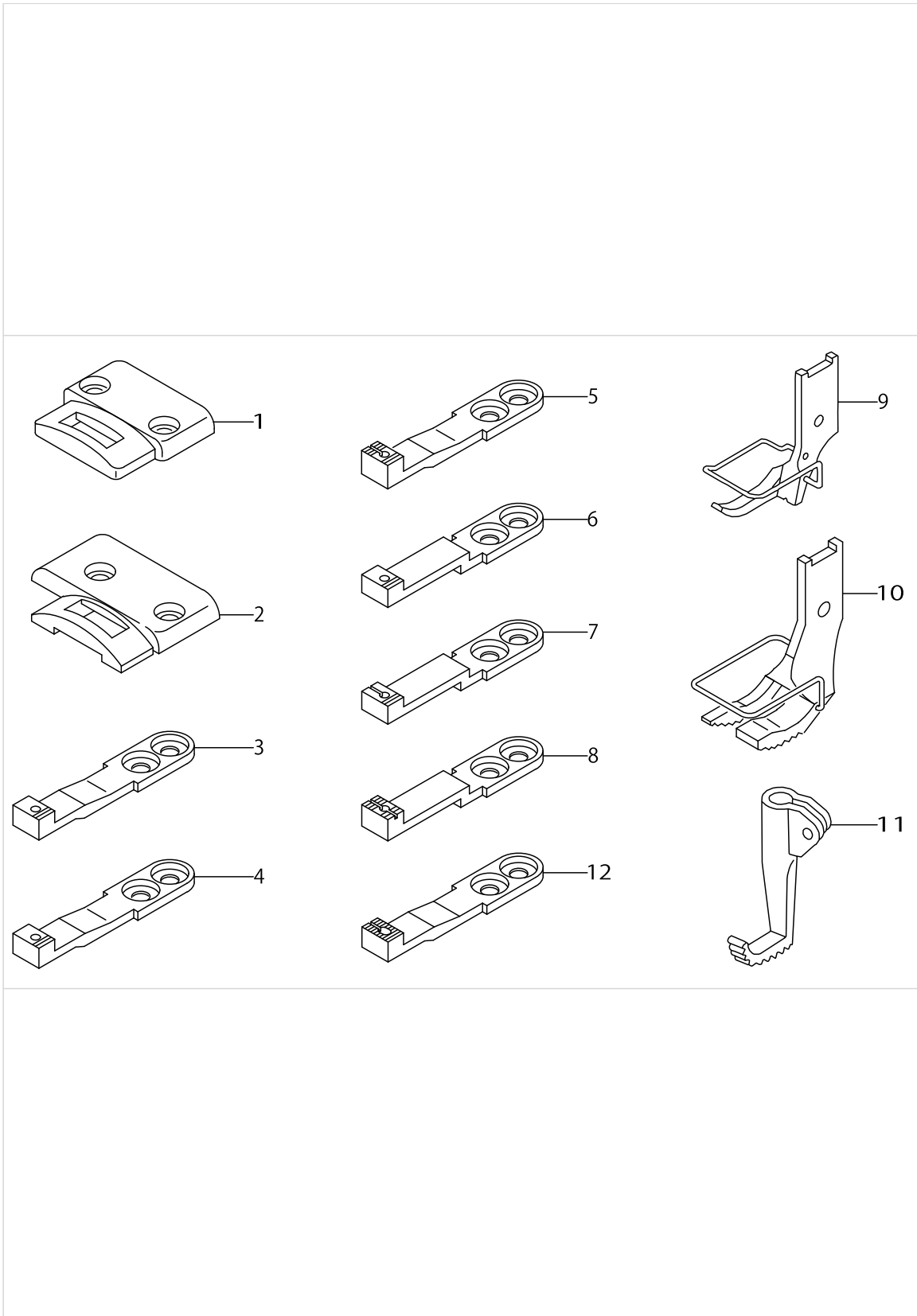
ACCESSORIES PARTS COMPONENTS



ACCESSORIES PARTS COMPONENTS

No.	Supply Code	Parts No.	Replacement	Parts name	Remarks	Choice	Step	Level	Cons	Qty	Rep. QTY
1		M13517B1102		NEEDLE 135X17 #110-2						1	
2	R	B9101552000	22932800	ACCESSORY BOX						1	1.00
3		22933105		SCREW DRIVER MIDDLE						1	
4		22933204		SCREW DRIVER SMALL						1	
5		B11582450AA		THREAD TAKE-UP LEVER COVER ASM	FOR JE					1	
6		B115824500A		THREAD TAKE-UP LEVER COVER				*		1	
7		SS7150740SP		SCREW 15/64-28 L=7				*		2	
8		29183902		INSTRUCTION MANUAL				*		1	
9		22964001		BOBBIN A	FOR DSC-244-4,-7					3	
10		B91212200A0		OILER (CONTAINING NO.2 OIL)						1	
11		22958300		NEEDLE THREAD GUIDE PIN						1	
12		B15242450AA		PRESSER FOOT ASM.	FOR DSC-244					1	
13		22933303		VINYL COVER						1	
14		J106600000F		HEXAGONAL WRENCH KEY						1	
15		B9111245000		WRENCH						1	
16		D7101245E00		SYNCHRONIZER HOLDER STUD	FOR DSC-244-4,-7					1	
17		D7102245E00		SYNCHRONIZER HOLDER PLATE	FOR DSC-244-4,-7					1	
18		SS7110710SP		SCREW 11/64-40 L=7	FOR DSC-244-4,-7					1	
19		NS6150430SP		NUT 15/64-28	FOR DSC-244-4,-7					1	
20		BT0630520Z0		HOLDER COVER	FOR DSC-244-4,-7					1	
21		B9130245000		BOLT						4	
22		WP0751576SD		WASHER 7.5X19X1.5						4	
23		NM6060001SD		NUT M6						4	
24		B9110245000		RUBBER PACKING						2	
25		B163224500E		PIN						1	
26		D2402245E00		COUNTER KNIFE	FOR DSC-244-4,-7					1	
27		GES12153000		OIL WICK HOLDER	FOR DSC-244-4,-7					1	
28		B11305210A0		THREAD GUIDE ASM. LOWER	FOR DSC-244					1	
29		SS2090710TP		SCREW 9/64-40 L=7.2	FOR DSC-244					1	
30		40052256		PANEL THREAD GUIDE	FOR DSC-244-7					1	
31		SM4040601SC		SCREW M4X0.7 L=6	FOR DSC-244-7					1	
32		WP0430800SC		WASHER M4	FOR DSC-244-7					1	
33		B820424500A		FRAME SUPPORT BAR						1	
34		40026920		SYNCHRONIZER ASM	FOR DSC-244-7					1	
35		MTSP00750B0		MOTOR PULLEY ASM. P.C.D 75	FOR DSC-244-7					1	
36		10741759		GROUND WIRE ASM.	FOR DSC-244-4					1	
37		MA011532000		CORD STAPLE	FOR DSC-244-4					2	
38		WS0410002KN		SPRING WASHER	FOR DSC-244-7					1	
39		22932909		BOBBIN	FOR DSC-244					3	
40		10741759		GROUND WIRE ASM.	FOR DSC-- 244-7(MA- CHINE HE- AD DELIVE- RED TO JUS,JE)					1	
41		MTJVM00530A		V-BELT 53 INCH	FOR DSC-244-7					1	

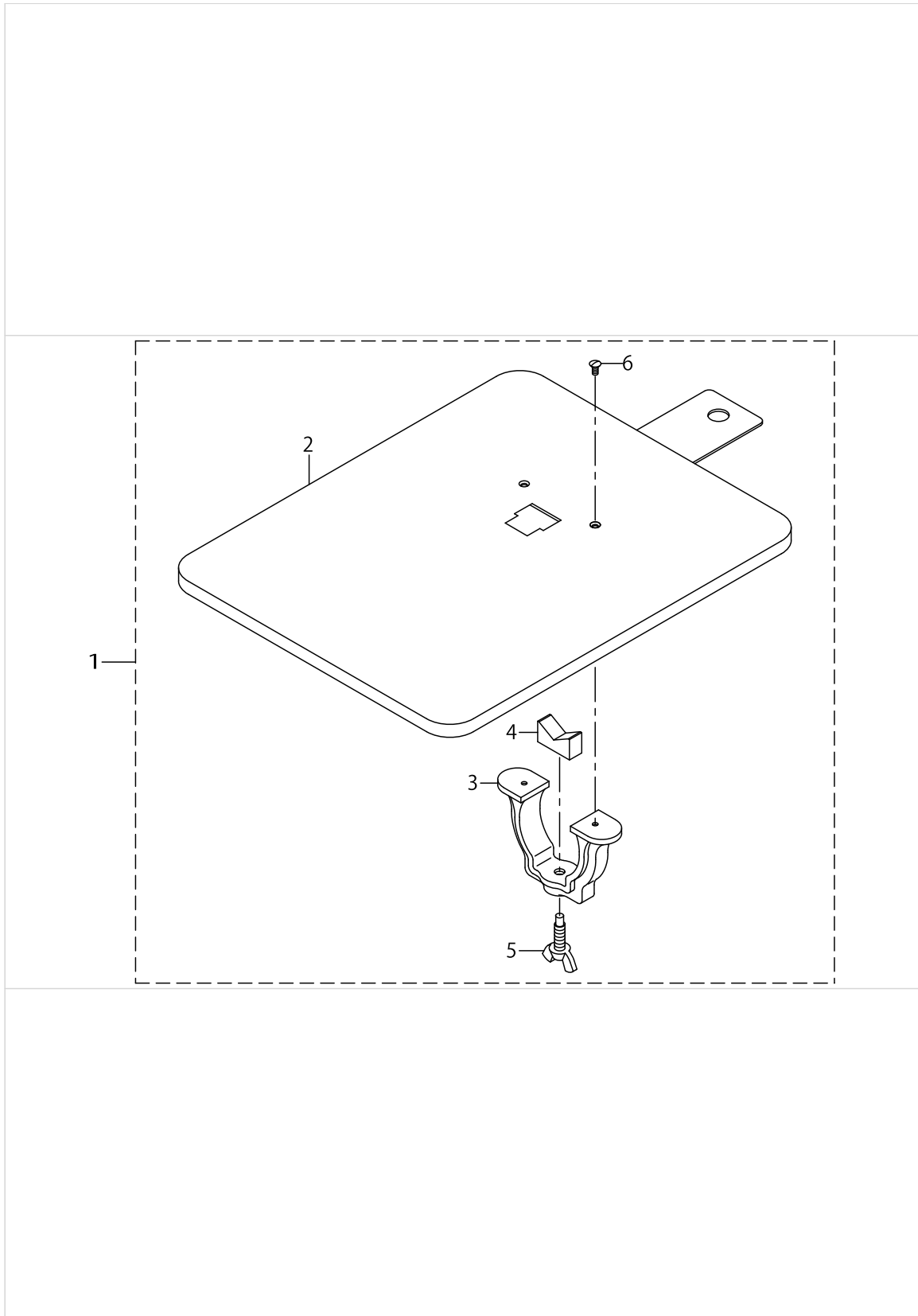
GAUGE COMPONENTS



GAUGE COMPONENTS

No.	Supply Code	Parts No.	Replacement	Parts name	Remarks	Choice	Step	Level	Cons	Qty	Rep. QTY
1		B110524500C		THROAT PLATE	FOR DSC-244					1	
2	D	D1105245E0C		THROAT PLATE	FOR DSC-244-4,-7					1	
3		B161324500A		FEED DOG (FOR CLOTH)	FOR DSC-244					1	
4		B161324500B		FEED DOG (FOR THIN NEEDLE)	FOR DSC-244					1	
5		B161324500C		FEED DOG	FOR DSC-244					1	
6		D1613245E0B		FEED DOG (FOR THIN NEEDLE)	FOR DSC-244-4,-7					1	
7		D1613245E00		FEED	FOR DSC-244-4,-7					1	
8		D1613245E0C		FEED DOG	FOR DSC-244-4,-7					1	
9		B15242450AA		PRESSER FOOT ASM.						1	
10		B15242450AB		PRESSER FOOT ASM.						1	
11		B147024500B		WALKING FOOT						1	
12		B1613245000		FEED DOG	FOR DSC-244					1	

OPTION COMPONENTS (FOR DSC-244)



OPTION COMPONENTS (FOR DSC-244)

No.	Supply Code	Parts No.	Replacement	Parts name	Remarks	Choice	Step	Level	Cons	Qty	Rep. QTY
1		21308051		PLAIN BED ASM.						1	
2		21308002		PLAIN BED				*		1	
3		22864409		STAND				*		1	
4		21290309		V-BLOCK				*		1	
5		21290408		SET SCREW				*		1	
6		SS2110920TP		SCREW 11/64-40 L=8.5				*		2	

LIST FOR INFORMATION OF CHANGE

As to the place changed, refer to the corresponding Rev.No.
 When previous parts(Obsoleted part)and new parts(Added parts)are
 not interchangeable with each other:
 In this case,even obsoleted parts(D.)can be ordered with the
 obsoleted part number,so select the parts with changed dates and
 place your orders.

変更箇所は、該当Rev.No.版をご参照ください。
 部品の互換性がない変更の場合は、削除された品番でも、ご注文できます。

29053105
 No.0687-06 Rev.No.

*A:Added parts追加部品/D:Obsoleted parts削除部品/E:Erratum訂正

* Rev. No.	Page 頁	Ref. No.	Parts No. 品番	* Rev. No.	Page 頁	Ref. No.	Parts No. 品番
D 05	2	34	SS-2090710-SP	A 06	2	34	SS-2090710-TP
D 05	2	35	SS-2090710-SP	A 06	2	35	SS-2090710-TP
D 05	2	39	SS-2090710-SP	A 06	2	39	SS-2090710-TP
D 05	2	41	SS-2090710-SP	A 06	2	41	SS-2090710-TP
D 05	2	46	SS-2090710-SP	A 06	2	46	SS-2090710-TP
D 05	2	59	CM-3002001-A1	A 06	2	59	CM-3013000-01
D 05	2	60	CM-3002000-B2				
D 05	2	59	CM-3002001-01				
D 05	4	11	B1211-226-000	A 06	4	11	401-44145
D 05	4	14	TA-0500000-R0				
D 05	4	29	SS-8150710-SP	A 06	4	29	SS-8150710-TP
D 05	6	15	MDP-170B1800	A 06	6	15	M1351-7B1-100
D 05	6	16	MC-3720011-00				
D 05	8	29	B1650-245-00A	A 06	8	29	401-43489
D 05	10	26	SS-7121410-SP	A 06	10	26	SS-7121410-TP
D 05	12	8	103-14508	A 06	12	8	401-43782
D 05	12	15	B1454-245-000	A 06	12	15	401-43487
D 05	12	51	B9117-552-A00	A 06	12	51	229-64001
D 05	14	70	SS-6090510-SP	A 06	14	70	SS-6090510-TP
D 05	16	20	SS-2090710-SP	A 06	16	20	SS-2090710-TP
D 05	17	24	SS-7111120-SP	A 06	17	24	SS-7110710-SP
				A 06	18	15	229-32453
D 05	18	15	B3433-141-H0A	A 06	18	16	229-32404
D 05	18	21	SS-9182010-SN	A 06	18	21	229-34707
D 05	20	1	229-30358	A 06	20	1	400-96354
D 05	24	1	MDP-170B1802	A 06	24	1	M1351-7B1-102
D 05	24	2	MC-3720011-02				
D 05	24	4	229-33006				
D 05	24	5	B9110-012-000	A 06	24	3	229-33105
D 05	24	6	B9111-012-000	A 06	24	4	229-33204
D 05	24	7	B9113-012-000				
D 05	24	9	B9117-552-A00	A 06	24	9	229-64001
D 05	24	13	D9118-555-B00	A 06	24	13	229-33303
D 05	24	30	D1114-245-F00	A 06	24	30	400-52256

HOW TO MAKE USE OF THIS PARTS LIST

1.Explanation of codes

1)"*"mark.....means this part is changed from the previous parts book.

As to the details of the change, refer to the "List for information of change".

2)"#01".....refer to "Note" explanation at bottom of page.

2.Codes on the "Qty" column

- Each numeral indicates the number of parts required.
- "0.1" and "2.5" indicate the length (in meters) of the respective parts.

3.Parentheses mean that the corresponding part is a subpart that constructs an assembly part.

4.Dotted lines on the Figures indicate assembly parts.

1."注記"欄の記号説明

1) "*"印.....前回のパーツブックに比較して今回変更された部品を意味します。

変更内容は、"変更情報リスト"を参照してください。

2) "#01".....ページ下の"注記"の説明を参照してください。

2.数量欄の数字は、個数を表し、0.1、2.5等の数値は、長さ（単位メートル）を表します。

3.数量欄の（ ）は、組部品を構成している子部品であることを意味します。

4.イラストページの-----枠は、組構成であることを意味します。

NUMERICAL INDEX OF PARTS

PART NO	PAGE	REF NO.	PART NO	PAGE	REF NO.	PART NO	PAGE	REF NO.
10119105	16	13	22907109	8	44	B1140051000	2	22
10119204	16	12	22907604	8	22	B1147141H00	12	22
10119402	16	15	22927354	38	10	B1148141H00	12	23
10119709	16	11	22932404	36	16	B1156115000	2	24
10119907	16	8	22932453	36	15	B115824500A	44	6
10120004	16	9	22932909	22	50	B11582450AA	44	5
10124204	30	26	22932909	44	39	B1171245000	2	3
10161305	16	14	22933105	44	3·4	B1172245000	12	18·71
10314003	20	4	22933204	44	3·4	B11732450A0	2	5
10320059	30	22	22933303	44	13	B1174245000	2	6
10320075	30	21	22934202	36	25	B1175245000	14	69
10320109	30	23	22934301	36	26	B1180245000	4	53
10320208	30	29	22934400	36	24	B118324500A	4	51
10320505	30	24	22934509	36	28	B118324500B	4	52
10320703	30	25	22934707	36	17	B1202241H00	6	5
10321107	10	57	22958300	44	11	B1203051000	6	9
10741759	44	36·40	22964001	22	51	B1203241H00	6	6
11072204	30	35	22964001	44	9	B1204241H00	6	7
11072402	30	38	29183803	38	9	B1206245000	6	3
11155108	42	3	29183902	44	8	B1208019000	10	59
11155207	42	4	40026920	44	34	B1210051000	6	10
11157567	42	7	40033030	20	1	B1211241H00	6	8
13160304	36	30	40052256	44	30	B1212012000	6	12
21136205	20	46·47	40096354	40	1	B1213012000	6	13
21136304	22	46·47	40143487	20	15	B1213012000	20	12
21136403	22	48	40143489	12	29	B1301241H00	6	33
21136601	24	7	40143782	20	8	B1302241H00	6	34
21136908	34	10	40144145	6	11	B1303271000	6	35
21209952	20	33	B1105245000	2	1	B13050120A0	6	37
21210059	22	59	B110524500C	46	1	B13052710B0	6	36
21210901	22	60	B1114280000	16	7	B13061550C0	6	38
21212600	26	82~86	B1116246000	2	11	B13071550A0	6	39
21212709	26	82~86	B1117246000	2	14	B13081550A0	6	40
21212808	26	82~86	B1118241H0A	2	10	B1410771000	8	8
21212907	26	82~86	B11212450AA	2	8	B1414232000	8	7
21213004	28	82~86	B1128246000	2	13	B1414555000	20	19
21290309	48	4	B1128522000	2	23	B1419245000	8	3
21290408	48	5	B1129563000	2	26	B1420563000	8	1
21302104	20	45	B1130051000	2	15	B1423245000	8	17
21308002	48	2	B1130521000	2	18	B1424158000	8	19
21308051	48	1	B11305210A0	2	17	B1424158000	12	40
21308200	6	1·2	B11305210A0	44	28	B1428563000	8	9
22860704	6	1·2	B1131521000	2	19	B1429241H00	8	14
22864409	48	3	B1131562000	2	16	B1430245000	8	18
22901805	4	60	B1132521000	2	20	B1431241H00	8	4

NUMERICAL INDEX OF PARTS

PART NO	PAGE	REF NO.	PART NO	PAGE	REF NO.	PART NO	PAGE	REF NO.
B1434245000	8	5	B163224500E	12	3~7	B3114761000	30	17
B1437051000	34	8	B163224500E	44	25	B3120125000	30	34
B1455053000	20	3	B1633245000	12	11	B31212450A0	30	1
B1460245000	8	42	B1634245000	12	41	B3122053000	30	13
B14602460A0	10	55	B1635245000	12	14	B3123051000	30	5
B1461245000	10	48	B163624500A	12	43	B3124051000	30	6
B1462053000	10	56	B1637141H00	12	44	B3125012000	30	2
B14670530A0	20	9	B1637245000	12	16	B3126051000	30	31
B1467563000	20	20	B1638141H00	14	45	B3127051000	30	30
B1468053000	20	10	B1638245000	12	17	B3128051000	30	27
B1470245000	20	2	B1639245000	12	39	B3129053000	30	33
B147024500B	46	11	B1640245000	12	19	B3132051000	30	32
B1501241H00	8	36	B1641245000	12	20	B3134051000	30	11
B1509141H00	8	39	B1642245000	12	21	B31370510A0	30	12
B1510141H00	8	38	B1643145000	12	32	B31375270A0	30	28
B1512141H00	8	40	B1644245000	12	33	B3138512000	30	44
B1515051000	8	41	B1645245000	12	34	B3214047000	30	36
B15242450A0	8	37	B1646241H00	18	47	B3414245000	36	4
B15242450AA	44	12	B1646245000	12	35	B3416141H00A	36	3
B15242450AA	46	9	B1647245000	12	38	B3418245000	36	5
B15242450AB	46	10	B1648122000	18	48	B3420245000	36	12
B1601245000	12	12	B1651245000	14	54	B34202450A0	36	11
B1603245000	12	31	B1652245000	14	56	B3421245000	30	4
B1605201000	6	14	B1653245000	14	57	B3421245000	36	31
B1605245000	12	24	B1654245000	12	13	B34212450A0	36	29
B1613245000	46	12	B1655245000	12	15	B3422245000	36	13
B161324500A	46	3	B1702012000	20	11	B3423245000	36	14
B161324500B	46	4	B1806038000	22	52	B3424141H00	36	22
B161324500C	46	5	B18302450A0	22	49	B3424245000	36	19
B161324500E	12	8	B18372450A0	22	57	B3425141H00	36	18
B1614245000	12	25	B1838245000	22	58	B3425245000	36	2
B1617241H00	12	36	B183924500A	22	53	B3425245000A	36	20
B1618241H00	12	37	B183924500B	22	54	B34262450A0	36	23
B1619241H00	12	26	B183924500C	22	55	B3434141H00	36	21
B1620245000	12	27	B185351200AA	24	35~39	B3502115000	34	3
B1621241H00	18	40	B185351200BA	24	35~39	B3508512000	34	9
B1622241H00A	12	28	B185351200CA	24	35~39	B3517009000	2	25
B16232450A0	12	30	B185351200D	24	35~39	B71140120A0	42	9
B162458600A	18	42	B185351200E	24	35~39	B820424500A	44	33
B1627241H00	16	2	B1905245000	8	31	B8217241H00	34	1
B16302450A0A	12	2	B1906051000	8	32	B8218241H00	34	2
B163224500A	12	3~7	B2115271000	12	42	B910124500A	38	2
B163224500B	12	3~7	B2733761000	16	10	B91012450AA	38	1
B163224500C	12	3~7	B3008141H00	20	5	B9101552000	44	2
B163224500D	12	3~7	B3031141H00	24	31	B91022450AA	38	11

NUMERICAL INDEX OF PARTS

PART NO	PAGE	REF NO.	PART NO	PAGE	REF NO.	PART NO	PAGE	REF NO.
B910424600A	38	18	D1463241E00	8	46	D2415245EA0	24	25
B9106245000	38	12	D1464241E0A	8	45	D2416245E00	24	14
B9108245000	38	13	D1480241E0A	20	22	D2417245E00	24	30
B9110245000	44	24	D1480241EAA	20	21	D2417245EA0	24	29
B9111245000	44	15	D1481241E00	20	23	D2418245E00	24	15
B911224500A	38	5	D1482241E0A	20	26	D2419245E00	24	16
B91122450AA	38	4	D1482241EAA	20	25	D2420245E00	24	17
B911324500A	38	6	D1483241E00	20	27	D2421245E00	24	18
B91212200A0	44	10	D1484241E00	20	29	D2423245E00	24	32
B9130245000	44	21	D1485241E00	22	61	D2424245E00	24	19
BP300000000	18	38	D1486241E00	22	62	D2425245E00	24	20
BP800000000	34	21	D1606245E00	12	10	D2426245E00	24	21
BT0630520Z0	44	20	D1613245E00	46	7	D2427245E00	24	22
CM300200002	4	61	D1613245E0A	12	9	D2428141E00	26	44
CM301300001	4	59	D1613245E0B	46	6	D2428245E00	24	23
CM500300001	38	3	D1613245E0C	46	8	D2429245E00	24	24
CQ202000000	8	34	D1621241E00	18	39	D2430245EA0	26	43
CQ202000000	34	17	D1624241E0A	18	41	D2431245E00	24	40
CQ252000000	6	22	D1630245EA0A	12	1	D2432245E00	24	34
CQ252000000	8	16	D1680141EA0	16	6	D2432245E0A	26	46
CQ252000000	34	20	D1681241E0A	16	1	D2433245E00	26	72
CQ303000000	6	19	D1684141E00A	16	16	D2434245E00	26	66
CQ303000000	20	28	D1685141E00	16	19	D2435245E00	26	81
CQ505000000	6	18	D1686241E00	16	18	D2436141E00	24	42
CS1271012SH	6	16	D1687141E00	16	20	D2436245E00	26	76
CS127101ASH	6	15	D1841141E00	24	41	D2441141E00	26	74
D1105245E00	2	2	D1907241E00	8	33	D2464555B00	16	17
D1105245E0C	46	2	D2120555C00	26	45	D3168555H0B	30	37
D1150241E0A	2	9	D2401245E00	24	1	D3410241E00	36	1
D1158241E0A	2	7	D2402245E00	24	2	D3501241E00	34	4
D1171245E00	2	4	D2402245E00	44	26	D3502241E0A	34	5
D1172245E00	14	18-71	D2403245E00	24	3	D3503241E00	34	6
D1173245E00	2	45	D2404245E00	24	4	D3504241E00	34	7
D1201241E00	6	4	D2405245E00	20	31	D3505241E00	10	47
D1401245E00	8	10	D2405245E00	24	5	D3505241E00	34	19
D1408241E00	8	11	D2406245E0A	24	6	D6037245GA0	26	53
D1411241E00	8	13	D2409245E00	24	8	D7101245E00	44	16
D1412241E00	8	12	D2410245E00	24	9	D7102245E00	44	17
D1450055B00	20	13	D2411245E00	24	10	D8201245G00	42	2
D1453241E00	20	14	D2412245E00	24	11	D8201245GA0	42	1
D1455055B00	20	16	D2413245E00	24	12	D8204555D00	42	5
D1456055B00	20	17	D2414141E00	2	12	EA9500B0100	34	18
D1458241E00	20	6	D2414245E00	24	13-87	GES12153000	24	33
D1459241E00	20	7	D2414245E0A	28	13-87	GES12153000	44	27
D1462241E00	8	43	D2415245E00	24	26	GES12155000	16	21

NUMERICAL INDEX OF PARTS

PART NO	PAGE	REF NO.	PART NO	PAGE	REF NO.	PART NO	PAGE	REF NO.
HK034610140	26	50	SM4040601SC	44	31	SS7110710SP	26	75
HK03464000B	26	52	SM6031202TP	6	41	SS7110710SP	30	46
J106600000F	44	14	SM6081552TP	2	33	SS7110710SP	32	46
M13517B1100	8	15	SM9061203SE	36	27	SS7110710SP	34	25
M13517B1102	44	1	SS2090710TP	2	46	SS7110710SP	44	18
MAO11532000	44	37	SS2090710TP	30	20	SS7110730SP	36	10
MAT81126T00	16	5	SS2090710TP	44	29	SS7110910SP	20	40
MTJVM00530A	44	41	SS2090810SP	14	67	SS7110910SP	26	61
MTSP00750B0	44	35	SS2110915SP	2	37	SS7110910TP	8	28
NM6060001SD	44	23	SS2110920TP	48	6	SS7111120SP	20	41
NS6060350SP	30	18	SS3090520SP	2	38	SS7111310SP	10	53
NS6110310SP	30	40	SS3090610SP	2	36	SS7111410TP	26	62
NS6110350SP	32	48	SS3090710TP	30	41	SS7111810SP	34	23
NS6110530SP	20	34	SS4080610SP	30	16	SS7121410TP	16	26
NS6150430SP	16	22	SS5060310SP	26	71	SS7150740SP	10	50
NS6150430SP	44	19	SS5110710SP	14	60	SS7150740SP	44	7
NS6620310SP	36	8	SS6060210SP	14	55	SS7150940SP	2	43
NS6660430SP	20	35	SS6081210SP	14	53	SS7151210SP	8	23
NS6680320SP	14	51	SS6090510TP	26	70	SS7151210SP	14	62
NS6680410SP	14	52	SS6090610SP	14	70	SS7151210SP	16	28
PS0200122K0	30	14	SS6090810SP	26	65	SS7151330SP	14	64
PS0400182K0	14	46	SS6090910SP	10	54	SS7620750SP	18	43
PS060024100	36	33	SS6092120SP	2	27	SS7621040SP	10	52
PS0600502KP	10	58	SS6110480SP	38	14	SS7680870SP	4	57
PT0301600S0	8	20	SS6110710SP	20	36	SS7681750TP	6	24
RE0300000K0	14	49	SS6111140SP	32	47	SS8090410SP	26	67
RE0400000K0	18	36	SS6111140SP	38	15	SS8110410SP	14	65
RE0600000K0	18	37	SS6121050SP	14	61	SS8110510SP	2	44
RE0700000K0	8	27	SS6121210SP	16	3	SS8150710SP	6	31
RE0700000K0	14	50	SS6151220SP	14	63	SS8150710SP	16	4
RO061180100	4	58	SS6151220SP	20	30	SS8150710TP	6	29
RO074240100	14	48	SS7060310SP	26	68	SS8150710TP	8	29
SD0380551SL	2	21	SS7080510TP	8	24	SS8150710TP	14	58
SD0470281SP	30	39	SS7080510TP	34	22	SS8150830SP	8	30
SD0640231SP	14	47	SS7080520SP	14	68	SS8150830SP	14	59
SD0640321SP	26	73	SS7090520SP	30	45	SS8151150SP	8	35
SD0720331SP	16	23	SS7090710SP	18	46	SS8151230SP	26	58
SD0790351SP	36	7	SS7090910SP	8	25	SS8151550SP	6	42
SD0790361SP	36	6	SS7091410SP	26	63	SS8151550SP	22	56
SD0800352SP	2	29	SS7110510SP	20	39	SS8151780SP	6	27
SD0800481SP	10	49	SS7110510SP	30	42	SS8660410SP	26	80
SK1483201SE	36	32	SS7110540SP	26	59	SS8660530TP	20	32
SK3311600SE	42	6	SS7110710SP	2	42	SS8660530TP	26	54
SK3482500SC	38	16	SS7110710SP	16	30	SS8660610TP	6	17
SK3513200SC	42	8	SS7110710SP	20	43	SS8660610TP	20	38

NUMERICAL INDEX OF PARTS

PART NO	PAGE	REF NO.
SS8660612TP	26	64
SS8660810TP	18	45
SS8661040TP	18	44
SS8680540SP	6	32
SS8680730SP	6	43
SS8681650TP	6	25
SS8701042TP	14	66
SS9111010SP	16	27
SS9161610SP	20	37
TA0500601M0	6	23
TA0550604R0	4	49
TA0750404R0	4	55
TA0750704R0	4	50
TA1050504R0	2	30
TA1120804R0	4	48
TA1250406R0	2	28
TA1550902R0	4	54
TA2050406R0	4	56
TA2100904R0	2	31
WP0371026SD	26	79
WP0430800SC	44	32
WP0450000SD	20	44
WP0482086SD	20	18
WP0501016SC	38	8
WP0501016SD	16	35
WP0501016SD	26	48
WP0501016SD	38	17
WP0621016SD	16	33
WP0621016SD	36	9
WP0751576SD	44	22
WS0310002KR	30	43
WS0410002KN	26	77
WS0410002KN	44	38
WS0631510KP	16	34
WT0530002KS	26	49