

MODEL : LK-1850 SERIES

List No : 0200-20

# PARTS LIST

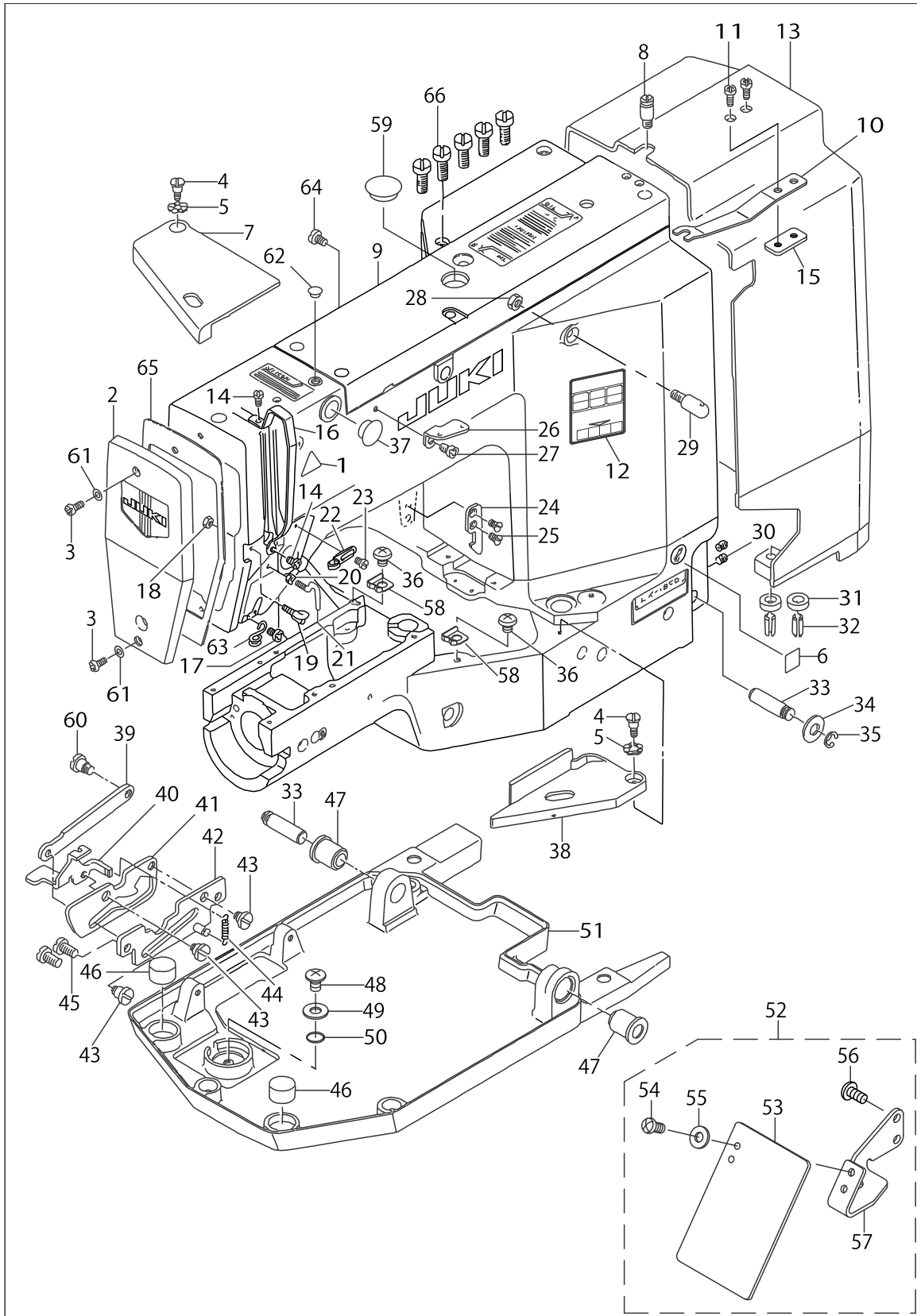
Published:05/12/2017

## CONTENTS

---

FRAME & MISCELLANEOUS COVER COMPONENTS .....	1
MAIN SHAFT COMPONENTS .....	5
NEEDLE BAR COMPONENTS .....	9
THREAD TENSION RELEASE COMPONENTS.....	13
SHUTTLE DRIVER SHAFT COMPONENTS.....	17
FEED MECHANISM COMPONENTS.....	21
THREAD TRIMMING COMPONENTS.....	25
PEDAL PRESSURE DECREASING UNIT COMPONENTS .....	27
STOP-MOTION MECHANISM COMPONENTS .....	31
LUBRICATION MECHANISM COMPONENTS.....	35
TABLE COMPONENTS .....	39
LK-1850 SERIES SUBCLASS .....	43
LK-1850 SERIES SUBCLASS .....	47
LK-1850 SERIES SUBCLASS .....	49
LK-1850 SERIES SUBCLASS .....	51
LK-1850 SERIES SUBCLASS .....	55
LK-1850 SERIES SUBCLASS .....	57
LK-1850 SERIES SUBCLASS .....	59
LK-1850 SERIES SUBCLASS .....	61
LK-1850 SERIES SUBCLASS .....	65
LK-1850 SERIES SUBCLASS .....	67
LK-1850 SERIES SUBCLASS .....	69
LK-1850 SERIES SUBCLASS .....	71
LK-1850 SERIES SUBCLASS .....	73
LK-1850 SERIES SUBCLASS .....	77
THREAD STAND COMPONENTS.....	81
LIST FOR INFORMATION OF CHANGE.....	83
HOW TO MAKE USE OF THIS PARTS LIST .....	84

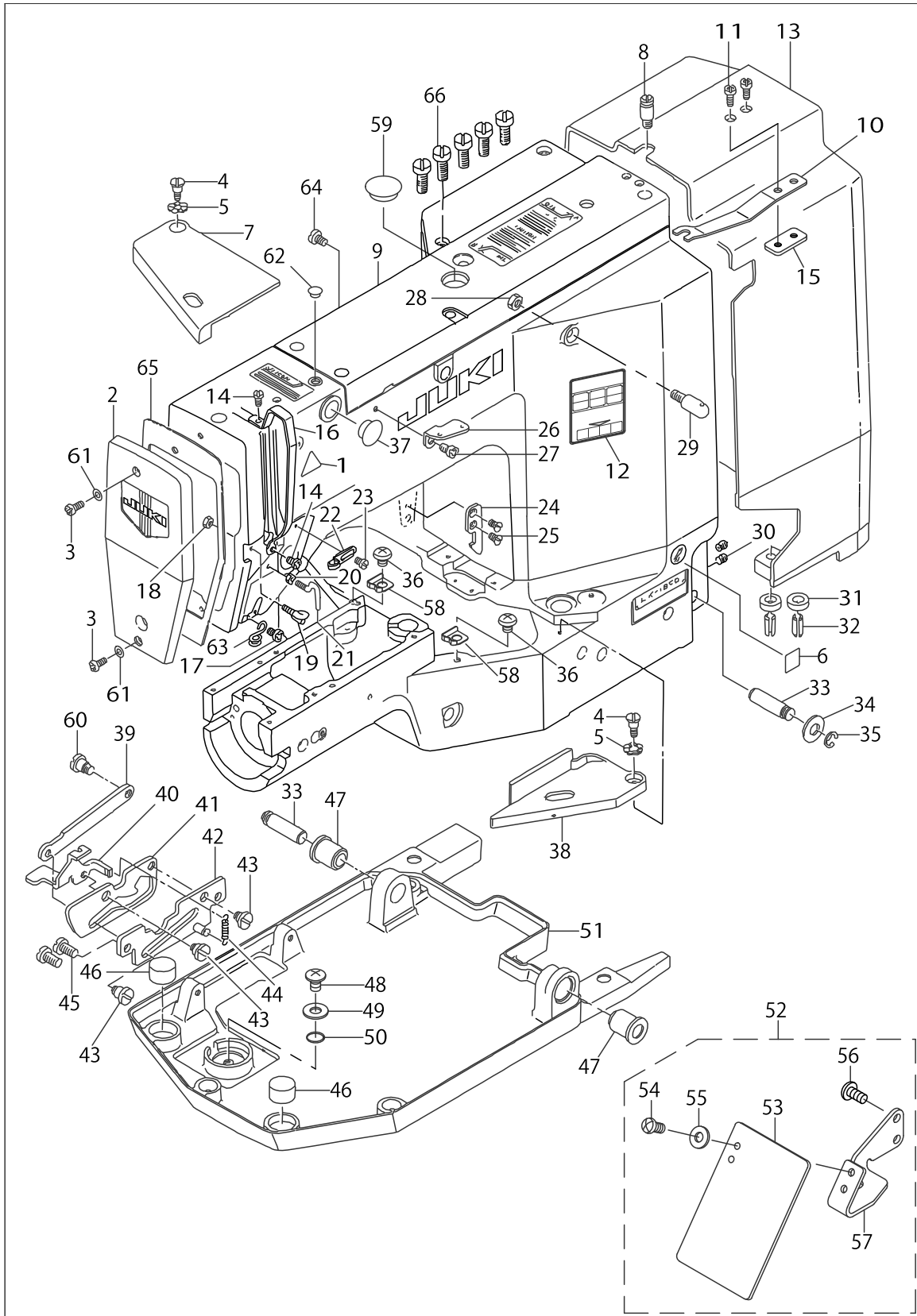
FRAME & MISCELLANEOUS COVER COMPONENTS



FRAME & MISCELLANEOUS COVER COMPONENTS

No.	Supply Code	Parts No.	Replacement	Parts name	Remarks	Choice	Step	Level	Cons	Qty	Rep. QTY
1		CM300200001		ATTENTION SEAL						1	
2		26211755		FACE COVER ASM.						1	
3		SS4111015SP		SCREW11/64-40L=10						2	
4		SD0640471SP		HINGE SCREW D= 6.35 H= 4.7						2	
5		WZ0641510KP		WAVED WASHER 6.4X11X0.3						2	
6		CM600100101		WEEE MARK LABEL S	FOR JE					1	
7		26211300		BED COVER B						1	
8		26212308		SCREW						1	
9		13816509		TOP COVER						1	
10		40023026		BELT COVER FIXING PLATE						1	
11		SS4110915SP		SCREW 11/64-40 L=9						2	
12		CM301200001		SAFETY LABEL_S						1	
13		13505805		BELT COVER						1	
14		SS4090715SP		SCREW 9/64-40 L=7						2	
15		40023027		BELT COVER PLATE						1	
16		26211607		BALANCE COVER						1	
17		SS7110840SP		SCREW 11/64-40 L=7.8						1	
18		NS6090310SP		NUT 9/64-40						1	
19		B3114771000		THREAD GUIDE						1	
20		NS6090310SP		NUT 9/64-40						1	
21		26212209		L-SHAPED THREAD GUIDE						1	
22	R	13706601	40009037	TAKE-UP THREAD GUIDE, A						1	1.00
23		SS3090610SP		SCREW 9/64-40 L=6						1	
24	D	26211805		BED FITTING HOOK						1	
25		SS1110821TP		SCREW 11/64-40 L=8.3						2	
26		26211904		THREAD GUIDE PLATE						1	
27		SS4150715SP		SCREW 15/64-28 L=7						1	
28		NS6150540SP		NUT 15/64-28						1	
29		26212001		FIRST THREAD GUIDE						1	
30		SS8150822TP		SCREW 15/64-28 L=8						2	
31	D	26210708		RUBBER WASHER						2	
32		PS0800202KH		SPRING PIN 8X20						2	
33		26217703		BASE CONNECTING PIN						2	
34		WP1052000SC		WASHER 10.5X18X2						1	
35		RE0600000K0		E-RING 6						1	
36		SS4150715SP		SCREW 15/64-28 L=7						2	
37		TA1470704R0		RUBBER PLUG						1	
38		26211201		BED COVER A						1	
39		26210203		STAY						1	
40		26210500		BED ROCKER						1	
41	D	26210302		STAY ROCKER						1	
42		26210450		STAY GUIDE COMPL.						1	
43		SD0800341SP		HINGE SCREW D=8 H=3.4						3	
44		B2008372000		THREAD TENSION SPRING						1	
45		SS7151210SP		SCREW 15/64-28L=12						2	
46	D	26210104		VIBRATION PROOF RUBBER						2	

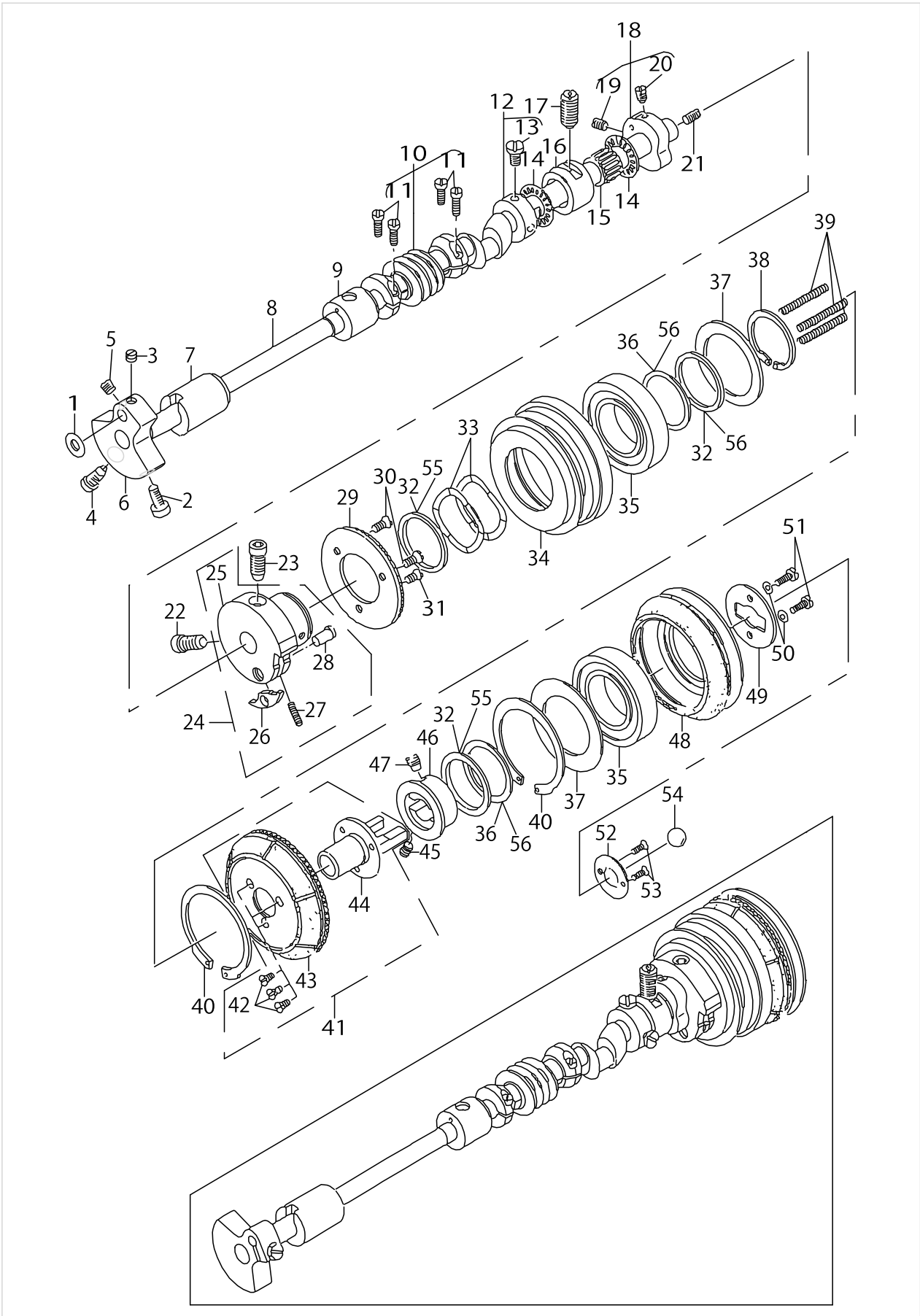
FRAME & MISCELLANEOUS COVER COMPONENTS



FRAME & MISCELLANEOUS COVER COMPONENTS

No.	Supply Code	Parts No.	Replacement	Parts name	Remarks	Choice	Step	Level	Cons	Qty	Rep. QTY
47		26210005		RUBBER BUSH						2	
48		SM0040601SA		SCREW M4 L=6						1	
49		WP0450801SD		WASHER 4.5X10X0.8						1	
50		RO044240100		RUBBER RING						1	
51		13500319		BED FITTING BASE						1	
52		40052806		SAFETY PLATE ASM.						1	
53		26037200		SAFETY PLATE				*		1	
54		SM4040655SP		SCREW M4 L=6				*		2	
55		WP0450801SD		WASHER 4.5X10X0.8				*		2	
56		SS4110715SP		SCREW 11/64-40 L=7				*		2	
57		40051987		SAFETY PLATE INSTALLING BASE				*		1	
58		26211409		SPRING						2	
59		TA2050406R0		RUBBER PLUG						1	
60		SD0800681SP		HINGE SCREW D=8 H=6.8						2	
61		WP0480856SP		WASHER 4.8X8.4X0.8						2	
62		TA0750704R0		RUBBER PLUG						1	
63		26212100		ARMTHREADGUIDEB						1	
64		SS7110710SP		SCREW 11/64-40 L=7						1	
65		13502307		FACE PACKING						1	
66		SS6151220SP		SCREW 15/64-28 L=11.5						5	

MAIN SHAFT COMPONENTS

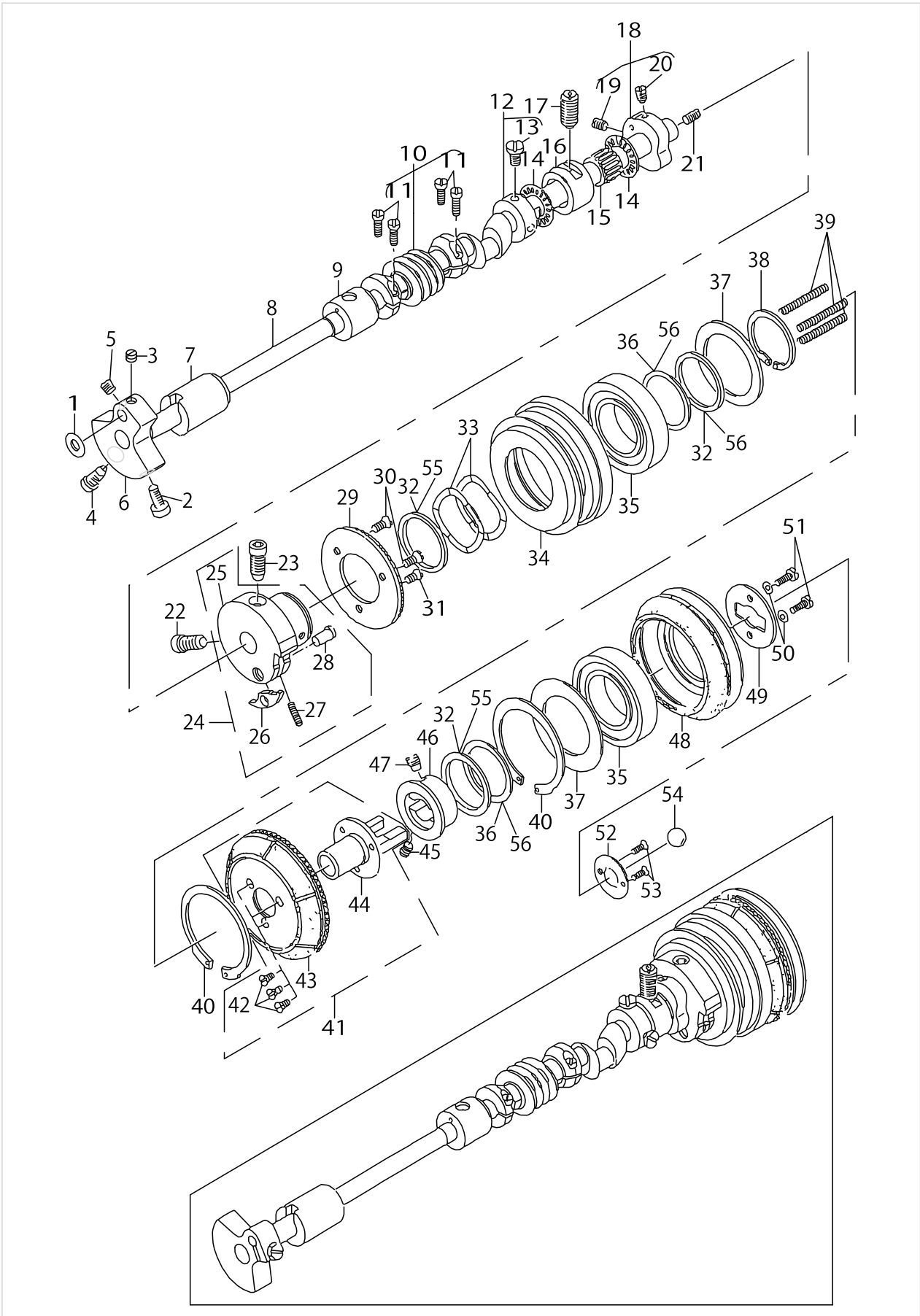


MAIN SHAFT COMPONENTS

No.	Supply Code	Parts No.	Replacement	Parts name	Remarks	Choice	Step	Level	Cons	Qty	Rep. QTY
1		B1223771000		NEEDLE ROD CRANK WASHER						1	
2		SS6151412TP		SCREW15/64-28L=14						1	
3		SS8660530TP		SCREW 1/4-40 L= 4.5						1	
4		SS6681712TP		SCREW 9/32-28 L=16.5						1	
5		SS8660610TP		SCREW 1/4-40 L=6						1	
6		B1202280000		COUNTER WEIGHT						1	
7		26212704		UPPER SHAFT FRONT METAL						1	
8		26212605		MAIN SHAFT						1	
9		26212803		UPPER SHAFT INNER METAL						1	
10		13510367		WORM ASM.						1	
11		SS7111410TP		SCREW11/64-40L=14				*		4	
12		CS150111BTH		THRUST COLLAR A- SM. D=15 W=10.8						1	
13		SS6661110SP		SCREW 1/4-40 L=11				*		1	
14		B1211980000		UPPER SHAFT THRUST BEARING						2	
15		B120898000B		MAIN SHAFT NEEDLE BEARING B	SELECTIVE PARTS					1	
16		26214403		UPPER SHAFT REAR METAL						1	
17		B1210980000		SET SCREW						1	
18		13503453		THREAD CUTTING CAM ASM.						1	
19		SS8661012TP		SCREW				*		1	
20		SS8661212TP		SCREW				*		1	
21		SS8151230SP		SCREW15/64-28L=12						1	
22		SS6741512TP		SCREW 3/8-28 L=14.5						1	
23		SS6742012TP		SCREW 3/8-28 L=19.5						1	
24	R	13503552	13503560	STOP-MOTION CAM ASM.						1	1.00
25		13503503		STOP-MOTION CAM				*		1	
26		B1215980000		STOP MOTION CAM LATCH				*		1	
27		B1217280000		SAFETY PLATE STOPPER SPRING				*		1	
28		13503602		PIN				*		1	
29		13503750		HIGH SPEED CLUTCH PLATE ASM.						1	
30		SS2110920TP		SCREW 11/64-40 L=8.5						2	
31		SS1110640TP		SCREW 11/64-40 L= 5.5						1	
32		26213306		SPACER	SELECTIVE PARTS					3	
33		13503909		SPRING						2	
34		13504204		HIGH SPEED PULLEY						1	
35		SB135000200		BEARING D=35X62						2	
36		13504907		SHIM	UP TO 6 P- CS OF THIS PLATE ARE USED AS REQUIRED.					6	
37		13504303		WASHER						2	
38		RC3221517KP		RETAINING RING 32.2						1	
39		13504105		SLOW SPEED PULLEY SPRING						3	
40		RC6622018KP		RETAINING RING 66.2						2	
41		13504451		PULLEY ASM.						1	
42		SS1110640TP		SCREW 11/64-40 L= 5.5				*		3	
43	R	13504402	13504451	PULLEY				*		1	1.00
44	R	13504501	13504451	PULLEY SHAFT				*		1	1.00



MAIN SHAFT COMPONENTS

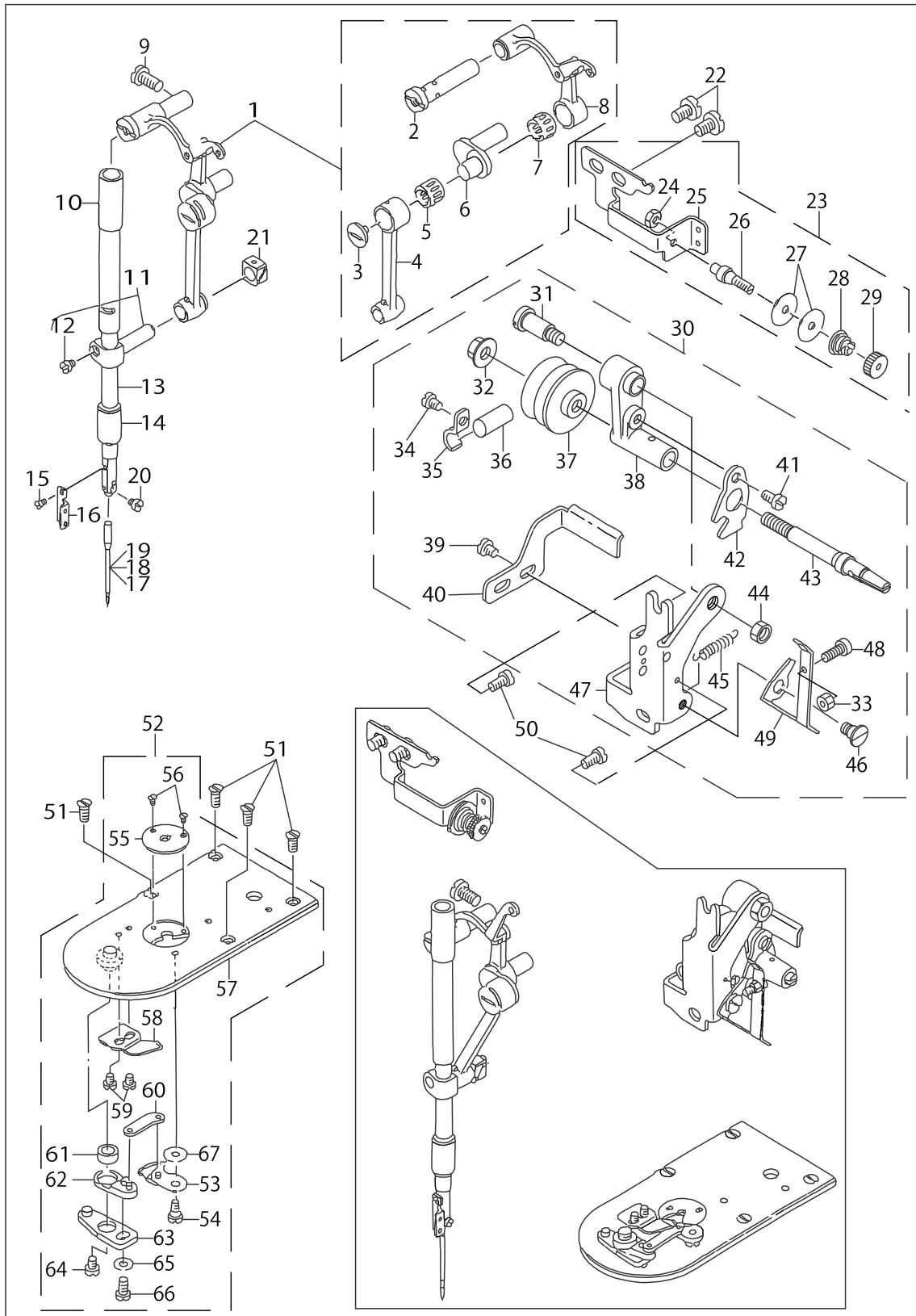


MAIN SHAFT COMPONENTS

No.	Supply Code	Parts No.	Replacement	Parts name	Remarks	Choice	Step	Level	Cons	Qty	Rep. QTY
45		SS8660612TP		SCREW 1/4-40 L=6						1	
46		13504600		SLOW SPEED PULLEY SHAFT						1	
47		SS8661112TP		SCREW 1/4-40 L=11						1	
48		13504709		SLOW SPEED PULLEY						1	
49		26213801		SLOW SPEED PULLEY PLATE						1	
50		WS0451040KP		SPRING WASHER 4.5X8.5X1						2	
51		SS7111120TP		SCREW						2	
52		26213900		BALL RETAINER						1	
53		SS2090710TP		SCREW 9/64-40 L=7.2						2	
54		B1253980000		STOP-MOTION BALL						1	
55		26214007		PULLEY SPACER	SELECTIVE PARTS					3	
56		13505102		REGULATOR SHIM	UP TO 6 P- CS OF THIS PLATE ARE USED AS REQUIRED.					6	

# NEEDLE BAR COMPONENTS

0200-16 03

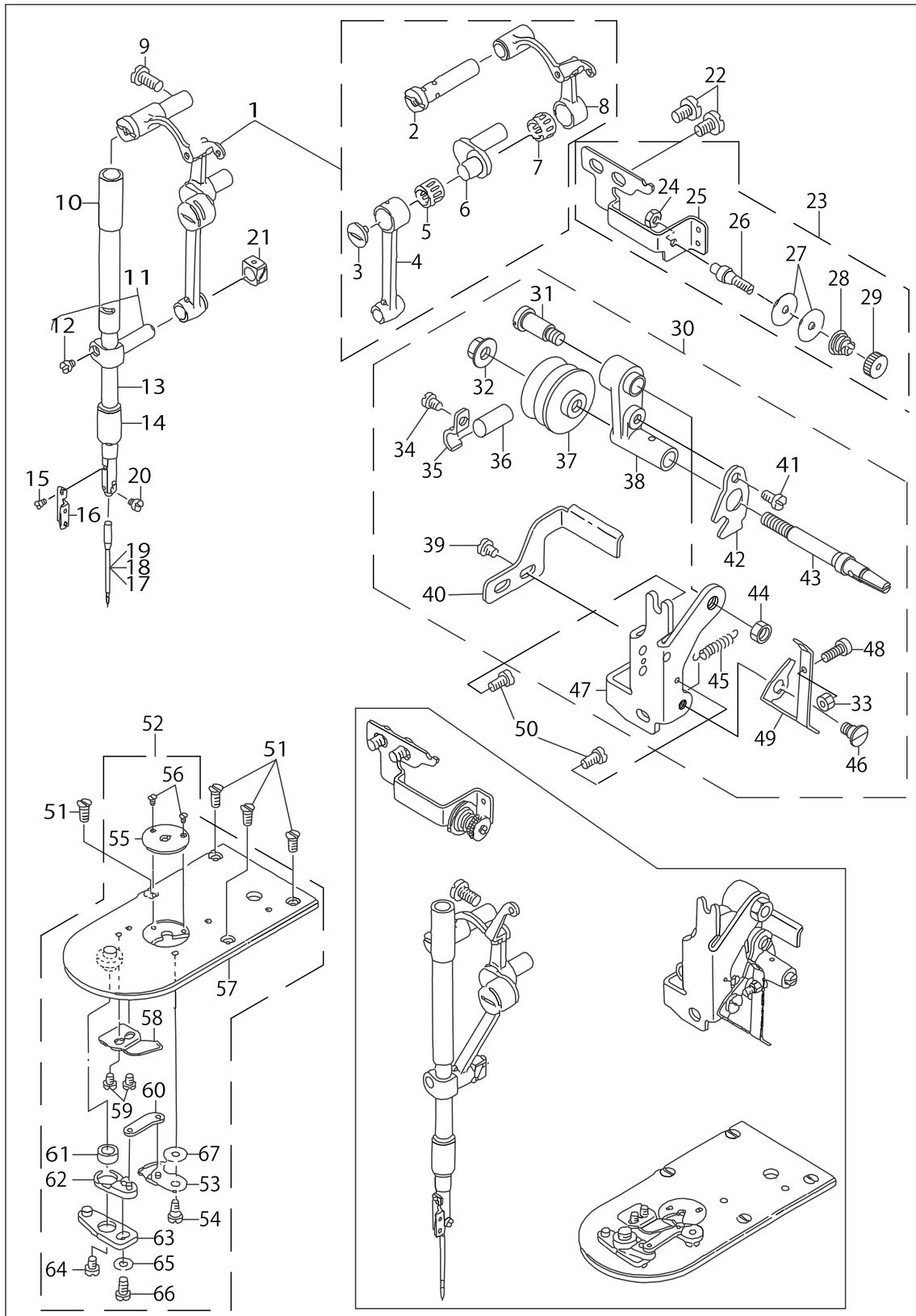


NEEDLE BAR COMPONENTS

No.	Supply Code	Parts No.	Replacement	Parts name	Remarks	Choice	Step	Level	Cons	Qty	Rep. QTY
1		B19012800B0		LINK BALANCE ASM.						1	
2		B1904280000		BALANCE CRANK PIN				*		1	
3		B1903552000		LEFT SCREW				*		1	
4		B1404280000		NEEDLE BAR CRANK ROD				*		1	
5		B1411804C00		NEEDLE DRIVING L- EVER BEARING C				*		1	
6		B1203280000		NEEDLE ROD CRANK				*		1	
7		B1905541B00		NEEDLE BEARING				*		1	
8	D	B19012800A0		BALANCE ASM.				*		1	
9		SS7151120SP		SCREW 15/64-28L=11						1	
10		26203208		NEEDLE ROD METAL						1	
11		B14115520A0		NEEDLE BAR CONNECTING ASM.						1	
12		SS6090670TP		SCREW 9/64-40 L=6				*		1	
13		26200006		NEEDLE BAR						1	
14		B1403280000		NEEDLE ROD LOWER METAL						1	
15		SS2060510SP		SCREW 3/32-56 L=4.5						1	
16		26215301		NEEDLE BAR THREAD GUIDE						1	
17		MDP500B1400		NEEDLE DPX5 #14	FOR USE IN JAPAN					1	
18		MDP500B1600		NEEDLE DPX5 #16	EXPORT (- EXCEPT JE)					1	
19		MC200501000		NEEDLE #100	SPECIAL ORDER PARTS					1	
20		SS6080340SP		SCREW 1/8-44 L=2.9						1	
21		B1414232000		SQUARE BLOCK						1	
22		SS4150915SP		SCREW 15/64-28 L=9						2	
23		26203455		THREAD GUIDE BRACKET COMPL.						1	
24		NS6110310SP		NUT 11/64-40				*		1	
25		26203406		THREAD GUIDE BRACKET				*		1	
26	R	26216705	40009348	BOBBIN WINDER TENSION POST		A	LBH	*		1	1.00
26	R	26216705	26203455	BOBBIN WINDER TENSION POST		B	LK	*		1	1.00
27	R	B3214047000	22945802	BOBBIN WINDER TENSION DISC				*		2	1.00
28		26216606		BOBBIN WINDER TENSION SPRING				*		1	
29	R	26216507	26203455	BOBBIN WINDER TENSION NUT		A	LK-1850	*		1	1.00
29	R	26216507	40009348	BOBBIN WINDER TENSION NUT		B	LBH-78*	*		1	1.00
30		26201152		BOBBINWINDERASM.						1	
31		SD0791331SP		HINGE SCREW D= 7.94 H=13.3				*		1	
32		26202705		NUT				*		1	
33		26202408		NUT				*		1	
34		26202309		SCREW				*		1	
35		26202101		BRAKE PRESSER PLATE				*		1	
36		26202002		BOBBIN WINDER BRAKE				*		1	
37	D	26201400		BOBBIN WINDER WHEEL				*		1	
38		26201103		BOBBIN WINDER SHAFT HOLDER				*		1	
39		26202309		SCREW				*		1	
40		26201608		BOBBIN WINDER BELT SUPPORT				*		1	
41	R	26202200	26201152	SCREW				*		1	1.00
42		26201202		BOBBIN WINDER TRIP LATCH				*		1	
43		26201707		BOBBIN WINDER SHAFT				*		1	

# NEEDLE BAR COMPONENTS

0200-16 03

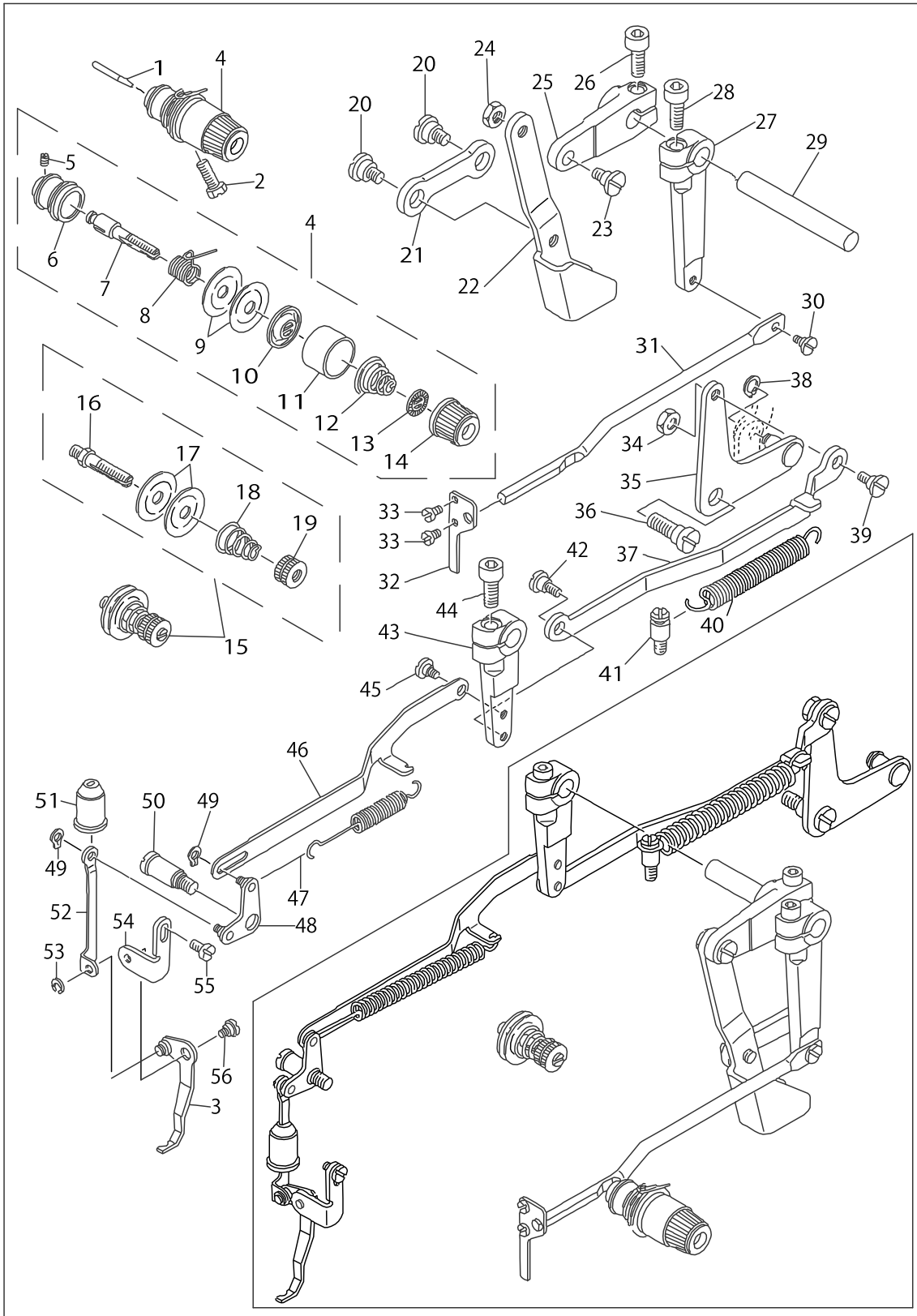


NEEDLE BAR COMPONENTS

No.	Supply Code	Parts No.	Replacement	Parts name	Remarks	Choice	Step	Level	Cons	Qty	Rep. QTY
44	R	26202507	26201152	NUT				*		1	1.00
45		26201806		SPRING				*		1	
46		SD0720193SP		HINGE SCREW D= 7.24 H= 1.9				*		1	
47		26201301		BOBBIN WINDER FITTING PLATE				*		1	
48		26201905		BOBBIN PRESSER BOSS				*		1	
49		26201509		BOBBIN PRESSER				*		1	
50		SS4110915SP		SCREW 11/64-40 L=9						2	
51		SS1110640TP		SCREW 11/64-40 L= 5.5						4	
52		13515556		NEEDLE PLATE ASM.						1	
53		B24212800A0		MOVING KNIFE ASM.				*		1	
54		SD0500091TP		HINGE SCREW D= 5.0 H= 0.9				*		1	
55		B2426280000		NEEDLE HOLE GUIDE				*		1	
56		SS1060210TP		SCREW 3/32-56 L=2.2				*		2	
57		13515564		NEEDLE PLATE ASM.				*		1	
58		B2424280000		FIXING KNIFE				*		1	
59		SS7090410SP		SCREW 9/64-40 L= 3.5				*		2	
60		B2418280000		MOVING KNIFE LINK				*		1	
61		B2416280000		THREAD CUTTING LEVER RING				*		1	
62		B24152800A0		THREAD CUTTER L- EVER ASM., SMALL				*		1	
63		B24142800A0		THREAD CUTTER L- EVER ASM., LARGE				*		1	
64		SS6110430TP		SCREW 11/64-40 L= 4.0				*		1	
65		WP0450846SP		WASHER				*		2	
66		SS7110740TP		SCREW 11/64-40 L=7				*		1	
67		B242328000C		MOVING KNIFE WASHER C	SELECTIVE PARTS			*		1	

# THREAD TENSION RELEASE COMPONENTS

0200-16 04



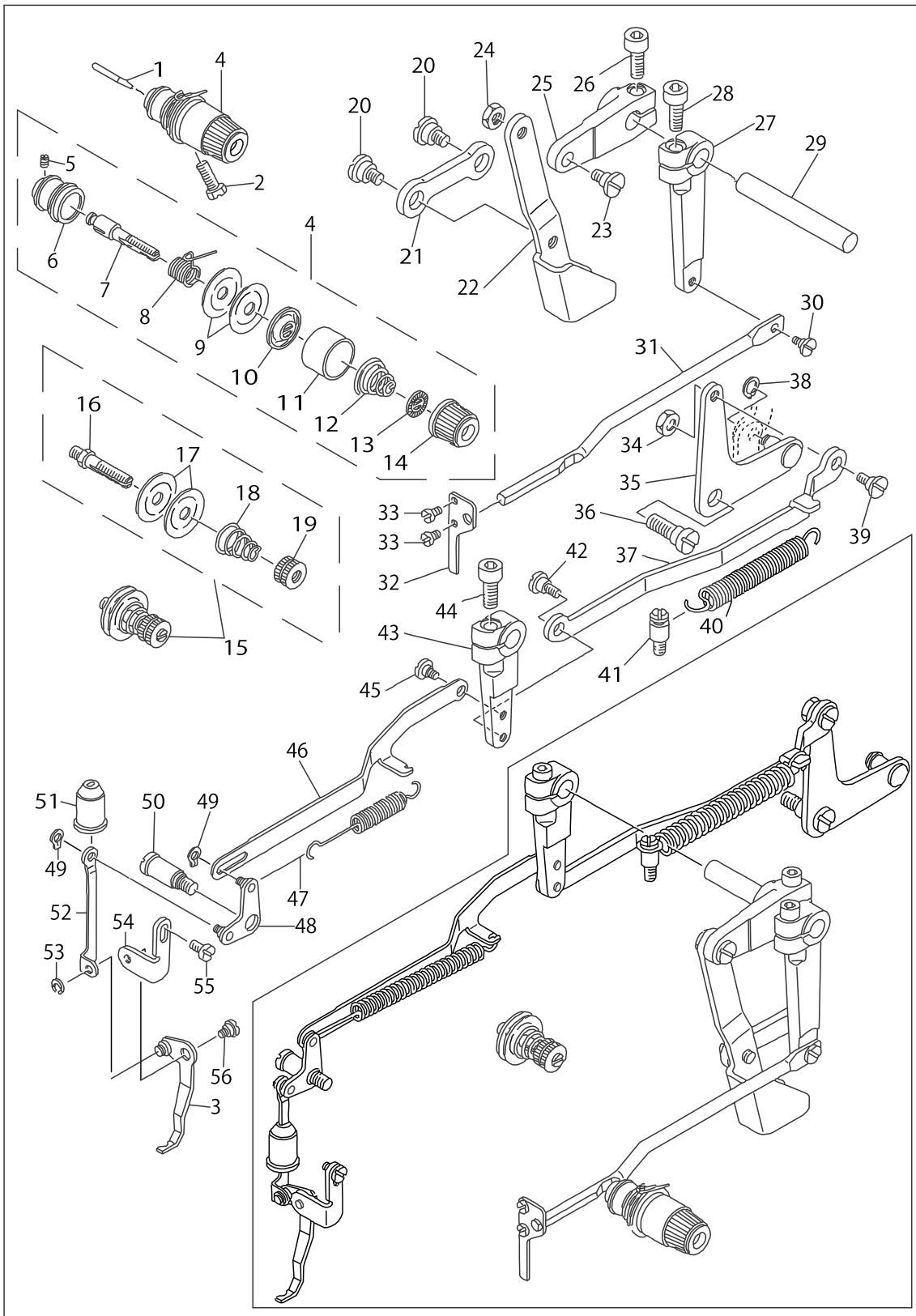
THREAD TENSION RELEASE COMPONENTS

No.	Supply Code	Parts No.	Replacement	Parts name	Remarks	Choice	Step	Level	Cons	Qty	Rep. QTY
1		B2303280000		TENSION RELEASE PIN						1	
2		SS9151740CP		SCREW 15/64-28L=17						1	
3		26218859		WIPER ASM.						1	
4		B23022800A0		SECOND THREAD TENSION ASM.						1	
5		SS8090610SP		SCREW 9/64-40 L=5.9				*		1	
6		B2313280000		THREAD TENSION ROD, LARGE				*		1	
7		B2302280000		SECOND THREAD TENSION ROD				*		1	
8		B3112761000		THREAD TAKE-UP SPRING				*		1	
9	R	B3126012000	22921506	THREAD TENSION DISK				*		2	1.00
10		B3132552000		THREAD TENSION DISK PRESSER				*		1	
11		B3107804000		THREAD TENSION DISK PRESSER				*		1	
12		B3114232000		THREAD TENSION SPRING				*		1	
13		B3120125000		ROTATING STOPPER				*		1	
14	R	B3119771000	13817408	THREAD TENSION NUT				*		1	1.00
15		26218651		FIRST THREAD TENSION ASM.						1	
16		26220400		THREAD TENSION ROD				*		1	
17	R	B3126012000	22921506	THREAD TENSION DISK				*		2	1.00
18		26218602		FIRST THREAD TENSION SPRING				*		1	
19	R	B3125012000	22928808	THREAD TENSION NUT				*		1	1.00
20		SD1000401SP		HINGE SCREW D=10 H=4						2	
21		26217109		CONNECTING LINK						1	
22		26204602		LOWERING FOOT						1	
23		SD0790601SP		HINGE SCREW D=7.94 H=6						1	
24		NS6150310SP		NUT 15/64-28						1	
25		13506217		LOWERING ARM						1	
26		SM6061802TP		SCREW M6 L=18						1	
27		13513114		TENSION RELEASE ARM						1	
28		SM6061802TP		SCREW M6 L=18						1	
29	D	26216903		SHAFT						1	
30		SD0530221SP		HINGE SCREW D= 5.3 H=2.2						1	
31		26501304		TENSION RELEASE BAR						1	
32		26218404		THREAD TENSION ARM						1	
33		SS7090620TP		SCREW 9/64-40 L=6.1						2	
34		NS6150310SP		NUT 15/64-28						1	
35		13506852		LOWERING CONNE- CTING LEVER ASM.						1	
36		SD0901201TP		HINGE SCREW D=9 H=3.2						1	
37		26217208		LOWERING CONNECTING RING						1	
38		RC0740811KP		C-RING						1	
39		SD0720331SP		HINGE SCREW D= 7.24 H= 3.3						1	
40		13506704		TENSION SPRING						1	
41		26220707		SPRING HOOK						1	
42		SD0640391TP		HINGE SCREW D= 6.35 H= 3.9						1	
43		13506415		CONNECTING ARM						1	
44		SM6061802TP		SCREW M6 L=18						1	
45		SD0530221SP		HINGE SCREW D= 5.3 H= 2.2						1	
46		26217802		WIPER CONNECTING LINK						1	



# THREAD TENSION RELEASE COMPONENTS

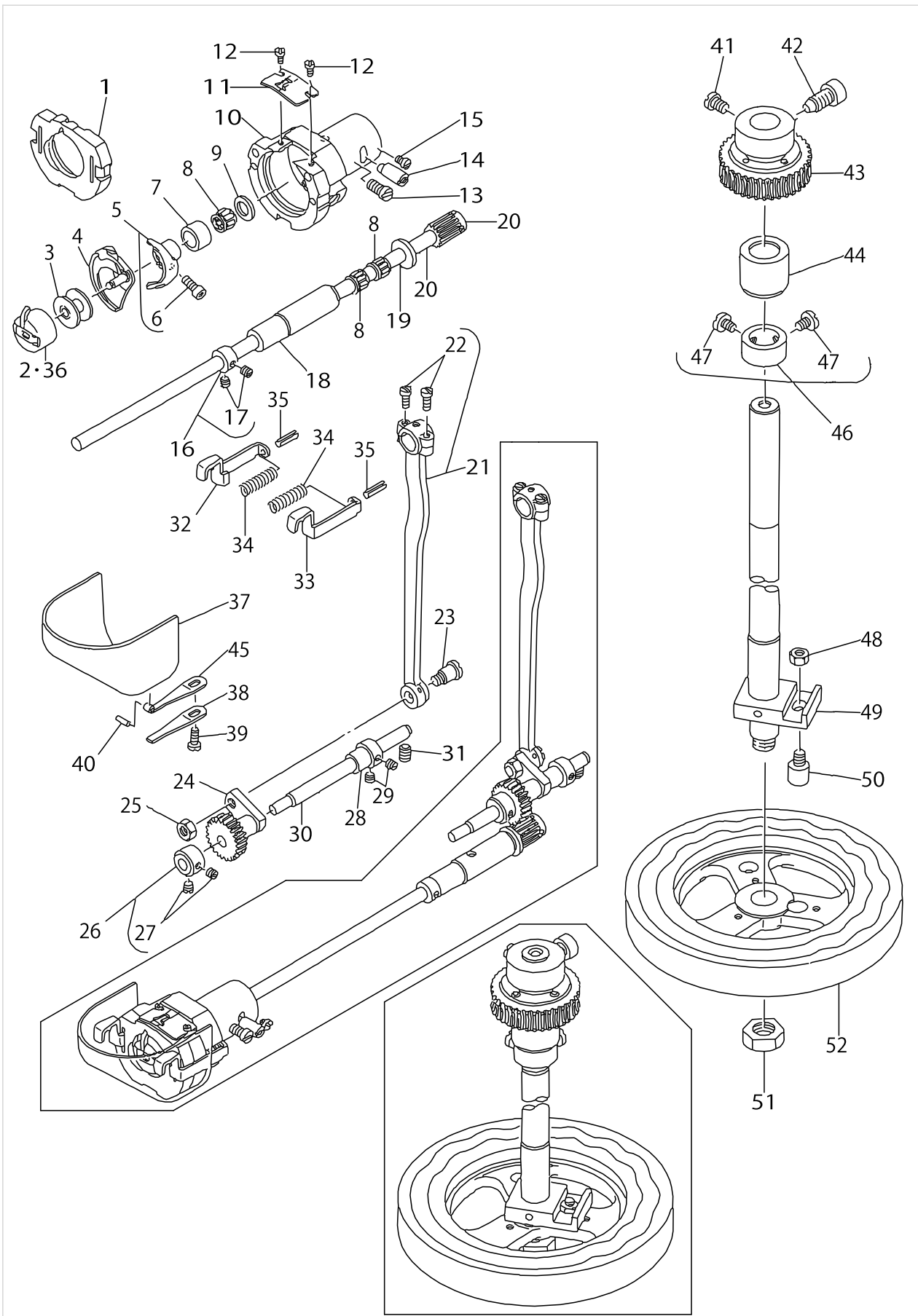
0200-16 04



THREAD TENSION RELEASE COMPONENTS

No.	Supply Code	Parts No.	Replacement	Parts name	Remarks	Choice	Step	Level	Cons	Qty	Rep. QTY
47		26218008		SPRING						1	
48		26204453		WIPER CONNECTING ARM ASM.						1	
49		RC0470611KP		RETAINING RING 4.7						2	
50		B2109280000		WIPER CONNECTING SCREW						1	
51		13509807		OIL SHIELD CAP						1	
52		26217901		WIPER CONNECTING PLATE						1	
53	R	B1229232000	RC0410415KP	SNAP RING						1	1.00
54		13574009		WIPER BASE PLATE						1	
55		SS4110815SP		SCREW 11/64-40 L=8						1	
56		SD0640211SP		HINGE SCREW D= 6.35 H= 2.1						1	

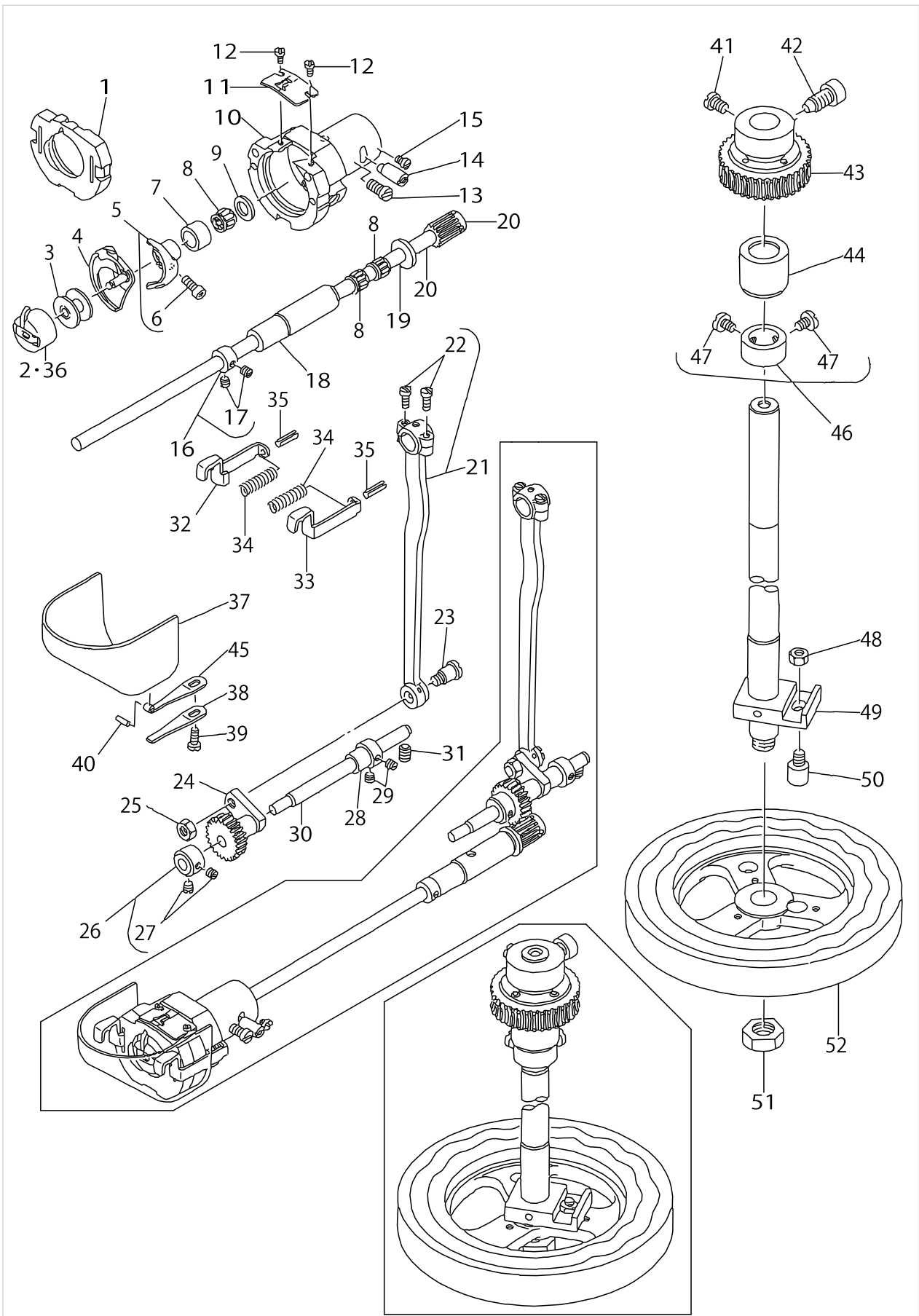
# SHUTTLE DRIVER SHAFT COMPONENTS



SHUTTLE DRIVER SHAFT COMPONENTS

No.	Supply Code	Parts No.	Replacement	Parts name	Remarks	Choice	Step	Level	Cons	Qty	Rep. QTY
1	R	B18172800A0	B1816280000	INNER HOOK PRESSER ASM.		A				1	2.00
1	R	B18172800A0	B1817280000	INNER HOOK PRESSER ASM.		A				1	1.00
2		B18289800AB		BOBBIN CASE ASM.						1	
3		26233106		BOBBIN						1	
4		26204909		INNER HOOK						1	
5		40028681		DRIVER ASM.						1	
6		SS6121212TP		SCREW 3/16-28 L=12.0				*		1	
7		B1813980000		SHUTTLE NEEDLE OUTER RING						1	
8		B1411804B00		NEEDLE DRIVING L- EVER BEARING B	SELECTIVE PARTS					3	
9		WP0952616SD		WASHER 9.5X14.8X2.6						1	
10		B1814980000		SHUTTLE						1	
11		26222109		SHUTTLE UPPER SPRING						1	
12		SS6060410TP		SCREW 3/32-56 L=3.5						2	
13		SS6151220SP		SCREW 15/64-28 L=11.5						1	
14		26222208		SHUTTLE RACE AD- JUSTING SHAFT						1	
15		SS6110480SP		SCREW 11/64-40 L=4.3						1	
16		CS080081CSH		THRUST COLLAR ASM. D=8.0 W=8						1	
17		SS8110520TP		SCREW 11/64-40 L= 4.5				*		2	
18		13508403		LOWER SHAFT REAR METAL						1	
19		B1808980000		LOWER SHAFT THRUST WASHER						1	
20		13509153		LOWER SHAFT GEAR A ASM.	SELECTIVE PARTS					1	
21		13508155		CRANK ROD ASM.						1	
22		SS7111110TP		SCREW 11/64-40 L=10.5				*		2	
23		SD0801021TP		HINGE SCREW D= 8 H=10.2						1	
24		B1805980000		OSCILLATOR						1	
25		NS6660430SP		NUT 1/4-40						1	
26		CS079101ASH		THRUST COLLAR A- SM. D=7.94 W=10						1	
27		SS8110520TP		SCREW 11/64-40 L= 4.5				*		2	
28		26221804		THRUST COLLAR						1	
29		SS8110520TP		SCREW 11/64-40 L= 4.5						2	
30		26203901		OSCILLATING SHAFT						1	
31		SS8150822TP		SCREW 15/64-28 L=8						1	
32		26222406		INNER HOOK PRESSER, LEFT						1	
33		26222307		INNER HOOK PRESSER, RIGHT						1	
34		26222505		INNER HOOK PRESSURE SPRING						2	
35		PS0250162KH		SPRING PIN 2.5X16						2	
36		B18289800A0		BOBBIN CASE ASM.	FOR EXTRA THICK TH- READ (OP- TIONAL PARTS)					1	
37	R	13816855	40142674	CYLINDER ARM CAP ASM.						1	1.00
38		26221200		HOOK COVER PRESSER SPRING B						1	
39		SS6111140SP		SCREW 11/64-40 L=11						1	
40		13508700		HOOK COVER PRE- SSER SPRING PIN						1	
41		SS6661110SP		SCREW 1/4-40 L=11						1	
42		SS6742012TP		SCREW 3/8-28 L=19.5						1	

# SHUTTLE DRIVER SHAFT COMPONENTS

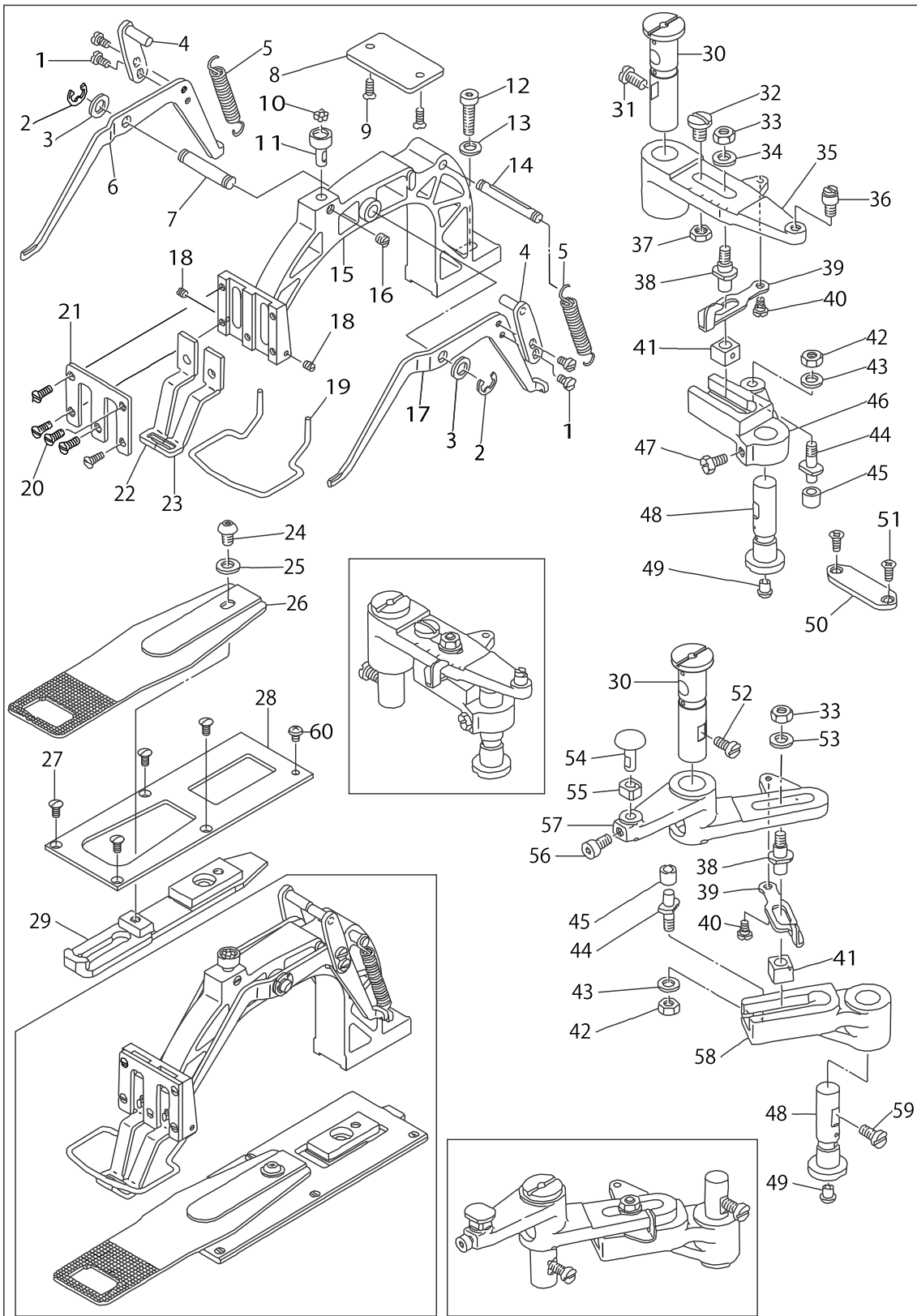


SHUTTLE DRIVER SHAFT COMPONENTS

No.	Supply Code	Parts No.	Replacement	Parts name	Remarks	Choice	Step	Level	Cons	Qty	Rep. QTY
43		13510458		WORM WHEEL ASM.						1	
44		13510201		WORM WHEEL SHAFT BUSHING						1	
45		26221101		HOOK COVER PRESSER SPRING A						1	
46		CS180121ASH		THRUST COLLAR ASM. D=18 W=12						1	
47		SS6660710TP		SCREW 1/4-40 L=7				*		2	
48		NS6660511SP		NUT 1/4-40						1	
49		26221358		WORM WHEEL SHAFT ASM.						1	
50		26221507		CAM GUIDE PIN						1	
51		NS6360810SP		NUT 9/16-20						1	
52		13510607		FEED CAM						1	

# FEED MECHANISM COMPONENTS

0200-16 06



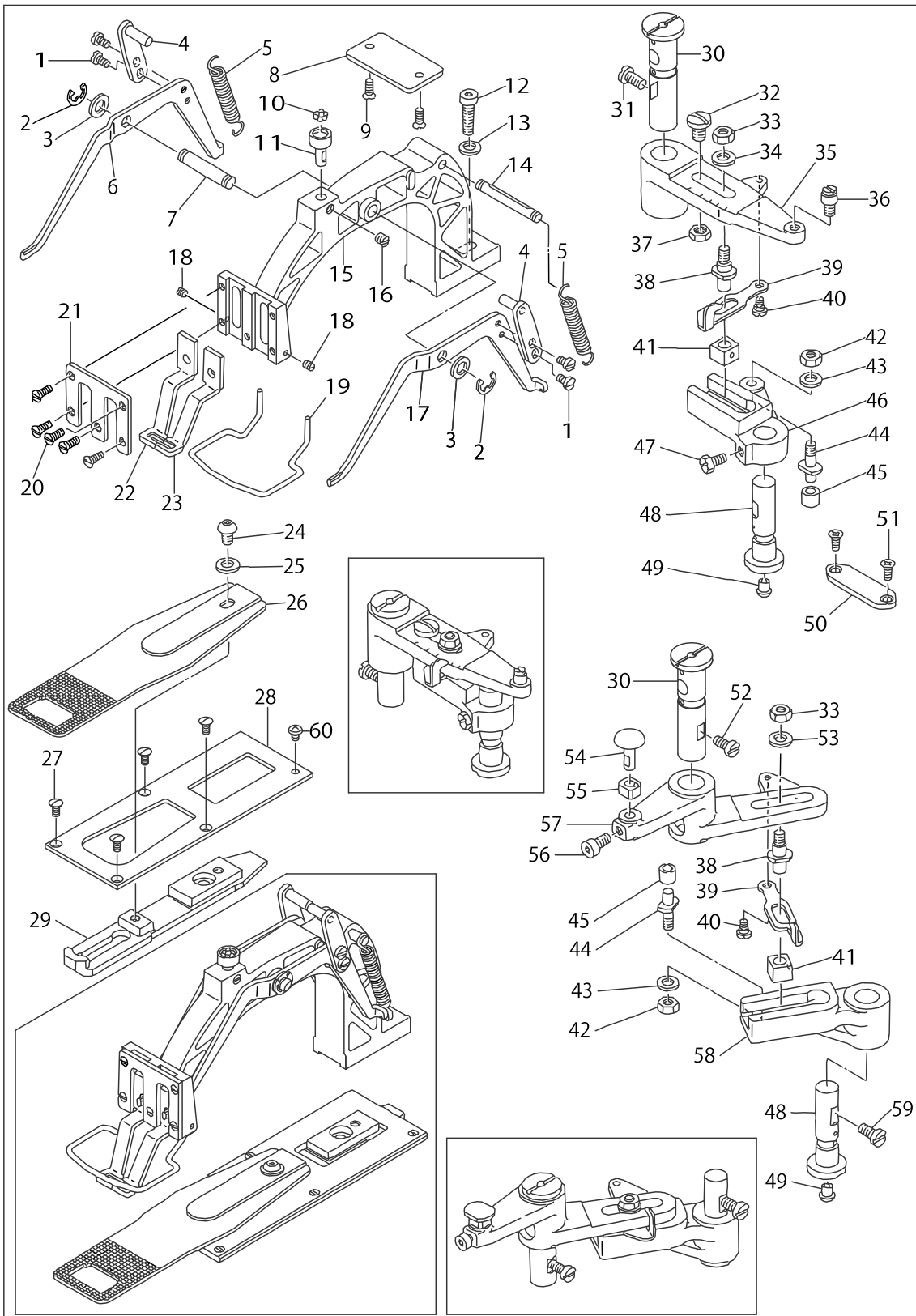
FEED MECHANISM COMPONENTS

No.	Supply Code	Parts No.	Replacement	Parts name	Remarks	Choice	Step	Level	Cons	Qty	Rep. QTY
1		SS7110740TP		SCREW 11/64-40 L=7						4	
2		RE0700000K0		E-RING 7						2	
3		B255728000C		WASHER	SELECTIVE PARTS					2	
4		13518352		LEVER DRIVING PLATE ASM.						2	
5		13518402		TENSION SPRING						2	
6		26204107		LIFTING LEVER LEFT						1	
7		26223701		LIFTING LEVER SHAFT						1	
8		13518907		SUPPORT PLATE						1	
9		SS2110920TP		SCREW 11/64-40 L=8.5						2	
10		B2549280000		WORK CLAMP FOOT MOUNTING BASE						7	
11		26224808		BALL RETAINER						1	
12		SM6062002TP		SCREW M6 L=20						1	
13		WP0621016SD		WASHER 6.2X13X1						1	
14		13518501		SPRINGSUSPENSION						1	
15		13517800		FEED BRACKET						1	
16		SS8150510TP		SCREW 15/64-28 L= 4.7						1	
17		26204008		LIFTINGLEVERRIGHT						1	
18		SS8080310TP		SCREW 1/8-44 L=2.8						2	
19		26224204		FINGER GUARD						1	
20		SS2110930SP		SCREW 11/64-40 L=8.5						5	
21		26224105		WORK CLAMP FOOT FACE PLATE						1	
22		13518600		WORK CLAMP FOOT, RIGHT						1	
23		13518709		WORK CLAMP FOOT, LEFT						1	
24		SM3061052TP		SCREW M6 L=10						1	
25		WP0650876SD		WASHER 6.5X13X0.8						1	
26		13517701		FEED PLATE						1	
27		SS2110920TP		SCREW 11/64-40 L=8.5						4	
28		26223602		FEED PLATE PRESSER PLATE						1	
29		13517529		FEED PLATE CARRIER BAR						1	
30		26222703		FEED DRIVING ARM SHAFT						2	
31		SS6151220SP		SCREW 15/64-28 L=11.5						1	
32		SS7701010SP		SCREW 5/16-24 L=10						1	
33		NS6150540SP		NUT 15/64-28						2	
34		WP0702026SP		WASHER 7X15X2						1	
35		13516307		FEED REGULATOR						1	
36		26223503		HINGE STUD						1	
37		NS6700320SP		NUT 5/16-24						1	
38		26222901		FEED REGULATOR STUD						2	
39		26223008		INDICATOR LEVER						2	
40		SD0530221SP		HINGE SCREW D= 5.3 H= 2.2						2	
41		13516703		SLIDE BLOCK B	SELECTIVE PARTS					2	
42		NS6660430SP		NUT 1/4-40						2	
43		WP0650876SD		WASHER 6.5X13X0.8						2	
44		26224600		FEED CAM ROLLER SHAFT						2	
45		26239806		FEED CAM ROLLER	SELECTIVE PARTS					2	
46		13516109		FEED DRIVING ARM						1	



# FEED MECHANISM COMPONENTS

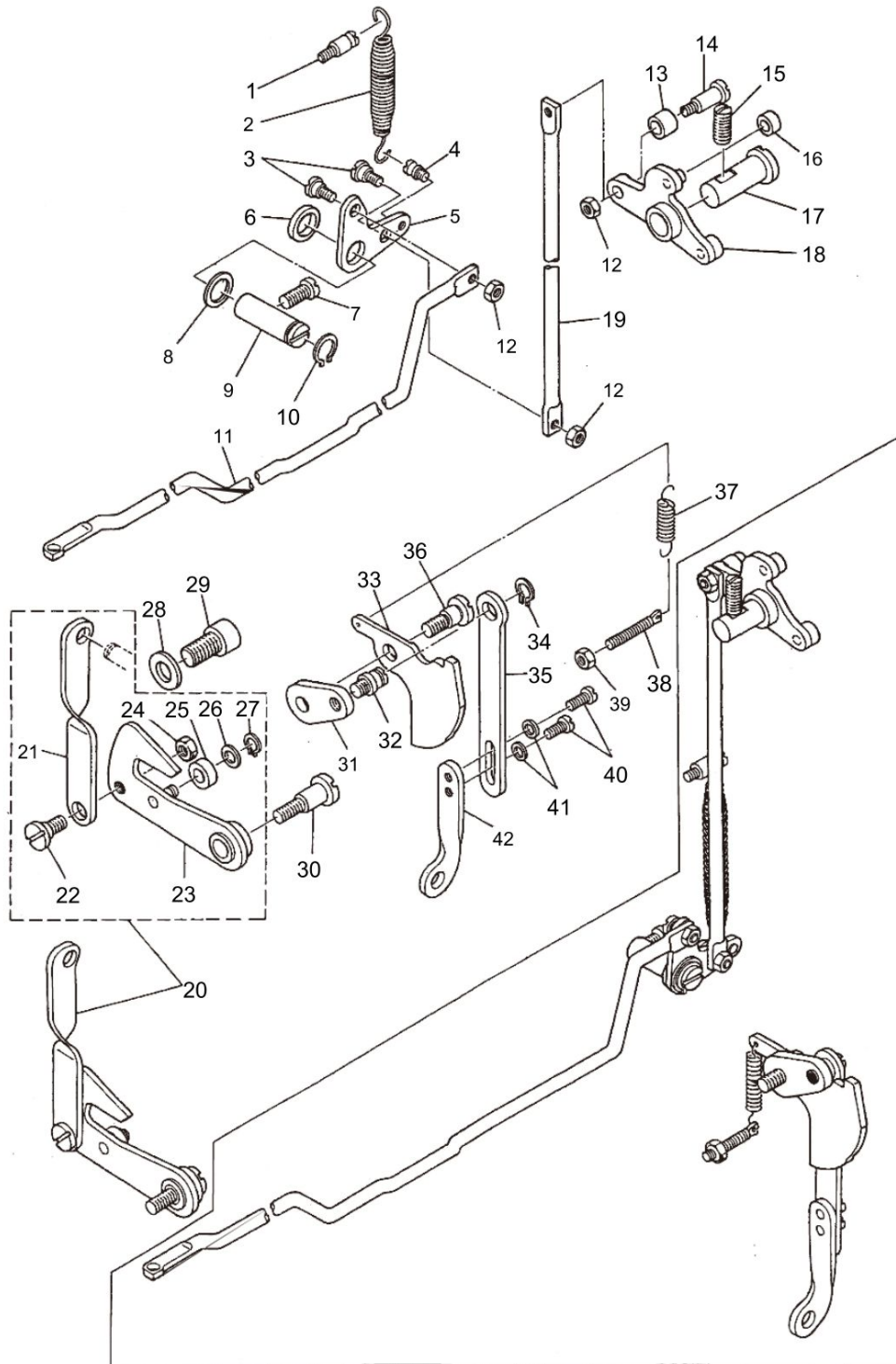
0200-16 06



## FEED MECHANISM COMPONENTS

No.	Supply Code	Parts No.	Replacement	Parts name	Remarks	Choice	Step	Level	Cons	Qty	Rep. QTY
47		SS9151440CP		SCREW 15/64-28 L=14						1	
48		13550108		FEED REGULATOR SHAFT						2	
49		TA0550604R0		RUBBER PLUG						2	
50		26223404		PLATE						1	
51		SS1110821TP		SCREW 11/64-40 L=8.3						2	
52		SS6151220SP		SCREW 15/64-28 L=11.5						1	
53		WP0704516SP		WASHER 7X20X4.5						1	
54		26223305		SLIDE BLOCK STUD						1	
55		B1414232000		SQUARE BLOCK						1	
56		SS6151142TP		SCREW 15/64-28 L=10.5						1	
57		13517107		FEED ACROSS DRIVING ARM						1	
58		13517008		FEED ACROSS REGULATOR						1	
59		SS6151220SP		SCREW 15/64-28 L=11.5						1	
60		SS4110615SP		SCREW 11/64-40 L=6						1	

THREAD TRIMMING COMPONENTS

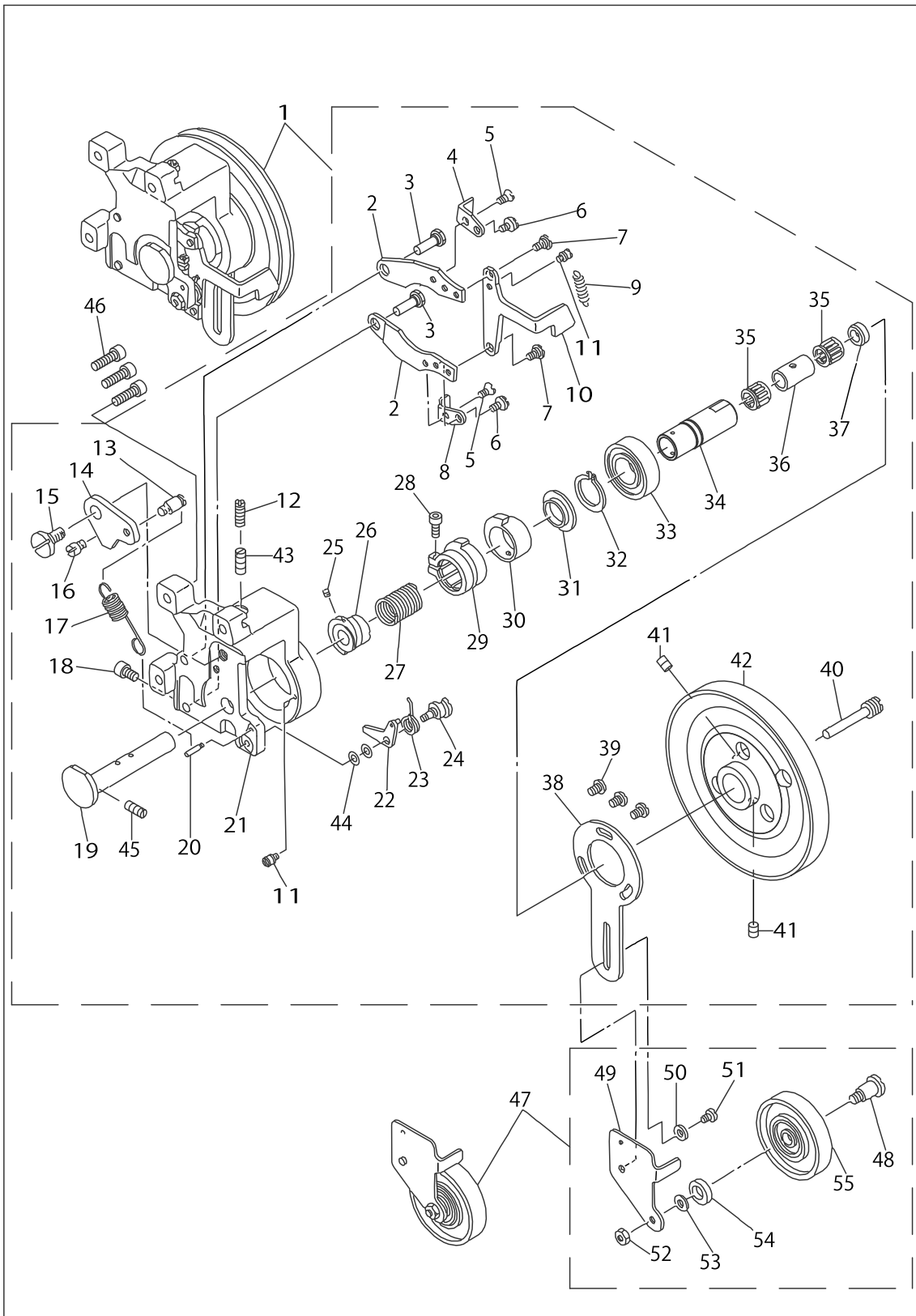


THREAD TRIMMING COMPONENTS

No.	Supply Code	Parts No.	Replacement	Parts name	Remarks	Choice	Step	Level	Cons	Qty	Rep. QTY
1		26226407		TENSION SPRING HOOK						1	
2		B2410980000		TENSION SPRING						1	
3		SD0650305TP		HINGE SCREW D= 6.5 H= 3						2	
4		26017400		SPRING HOOK						1	
5		26225805		THREAD CUTTING LINK						1	
6		26226100		THREAD CUTTING RING						1	
7		SS6151440SP		SCREW 15/64-28L=14						1	
8		26226001		THREAD CUTTING LINK WASHER						1	
9	D	26225904		THREAD CUTTING LINK SHAFT						1	
10		RC1021011KP		RETAINING RING 10.2						1	
11		13515408		CONNECTING ROD, LARGE						1	
12		NS6120310SP		NUT 3/16-28						3	
13		26225201		ROLLER						1	
14		SD0651301TH		HINGE SCREW D=6.5 H=13						1	
15		SS8681950SP		SCREW 9/32-28 L=19						1	
16		26226704		THREAD CUTTING CAM ROLLER						1	
17		26225102		CAM STUD						1	
18		13534060		THREAD CUTTING CAM COMPL.						1	
19		26225706		CONNECTING ROD SMALL						1	
20		13507058		LOWERING LINK ASM.						1	
21		26217406		LOWERING LINK				*		1	
22		SD0790402TP		HINGE SCREW D= 7.94 H= 4				*		1	
23		13507157		LOWERING LEVER ASM.				*		1	
24		NS6150310SP		NUT 15/64-28				*		1	
25		26217505		ROLLER				*		1	
26		26217604		WASHER				*		1	
27		B2615280000		STOP RING				*		1	
28		WP0982616SP		WASHER 9.8X24.0X2.6						1	
29		SS6741512TP		SCREW 3/8-28 L=14.5						1	
30		SD0901101SP		HINGE SCREW D= 9 H=11						1	
31		26225300		AUXILIARY LEVER						1	
32		26225409		SHAFT						1	
33		13514401		THREAD TRIMMING AUXILIARY CAM						1	
34		RC0740816K0		RETAINING RING						1	
35	D	26225607		CONNECTING PLATE B						1	
36		SD0790802TP		HINGE SCREW D=7.94 H=8						1	
37		26226209		SPRING						1	
38		26226506		SPRING HOOK						1	
39		NS6110420SP		NUT 11/64-40						1	
40		SS7110910TP		SCREW 11/64-40 L= 8.5						2	
41		WP0480856SP		WASHER 4.8X8.4X0.8						2	
42		26225508		CONNECTING PLATE A						1	

# PEDAL PRESSURE DECREASING UNIT COMPONENTS

0200-16 08

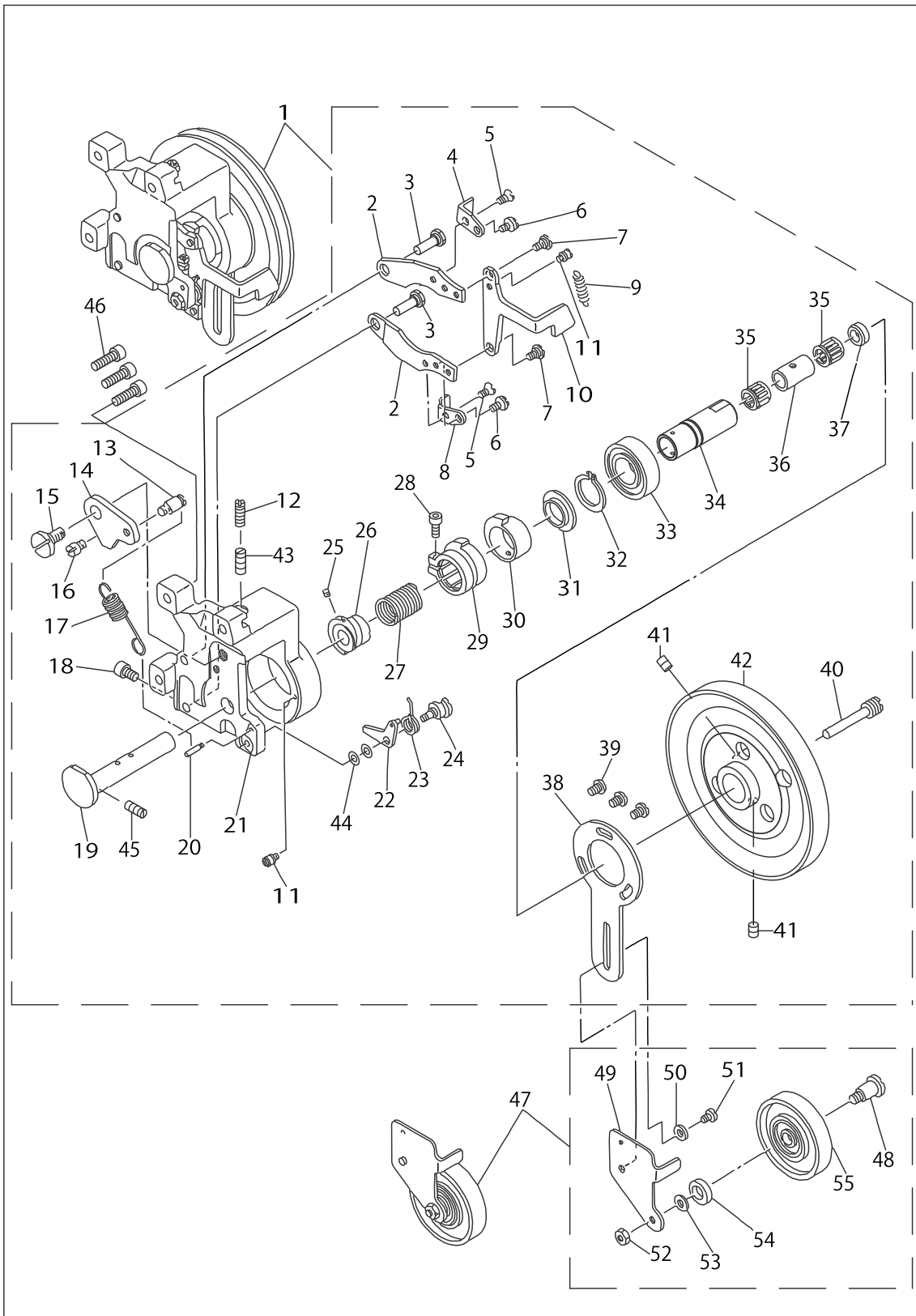


PEDAL PRESSURE DECREASING UNIT COMPONENTS

No.	Supply Code	Parts No.	Replacement	Parts name	Remarks	Choice	Step	Level	Cons	Qty	Rep. QTY
1		13523188		PRESSURE DECREASING DEVICE						1	
2		13524608		PRESSURE DECREASING LEVER				*		2	
3		13525100		STUD				*		2	
4		13524707		LEVER LATCH A				*		1	
5		SS2110920TP		SCREW 11/64-40 L=8.5				*		2	
6		SS7110910TP		SCREW 11/64-40 L= 8.5				*		2	
7		SD0640321SP		HINGE SCREW D= 6.35 H= 3.2				*		2	
8		13524806		LEVER LATCH B				*		1	
9		13525001		SPRING				*		1	
10		13524905		PRESSURE DECREASING LEVER LINK				*		1	
11		26017400		SPRING HOOK				*		2	
12	R	SS8150710SP	SS8150710TP	SCREW 15/64-28 L=7				*		1	1.00
13		MAT80116S00		SUSPENSION PIN				*		1	
14		13525605		AUXILIARY CAM				*		1	
15		SD0720331SP		HINGE SCREW D= 7.24 H= 3.3				*		1	
16		SS6110710TP		SCREW 11/64-40 L= 6.5				*		1	
17		13525704		SPRING				*		1	
18		SM6061002TP		SCREW M6 L=10				*		2	
19		13523352		PRESSURE DECREASING SHAFT ASM.				*		1	
20		PS0300162KH		SPRING PIN 3X16				*		1	
21		13523121		PRESSURE DECREASING UNIT FRAME				*		1	
22		13524368		ROTATION PREVENTING LATCH ASM.				*		1	
23		13524418		SPRING				*		1	
24		SD0600321SP		HINGE SCREW D=6 H=3.2				*		1	
25	R	SS8620610SP	SS8620610TP	SCREW 3/16-32 L=6				*		1	1.00
26		13524277		DECREASING CLUTCH ASM.				*		1	
27		13523808		CLUTCH SPRING				*		1	
28		SM6051202TP		SCREW M5X0.8 L=12				*		1	
29		13524129		INNER SLEEVE				*		1	
30		13524004		OUTER SLEEVE				*		1	
31		13523915		OUTER SLEEVE GUIDE				*		1	
32		RC1850001KP		SNAP RING 18.5				*		1	
33		SB120000300		BEARING D=20X42				*		1	
34		13523428		SHAFT				*		1	
35		SB312000100		BEARING D=12X15				*		2	
36		13523519		COLLAR A				*		1	
37		13523600		COLLAR B				*		1	
38		13525308		IDLER PULLEY INSTALLING PLATE				*		1	
39		SS6110810TP		SCREW 11/64-40 L=8				*		3	
40		13525407		SCREW				*		1	
41		SS8150822TP		SCREW 15/64-28 L=8				*		2	
42		13523212		DRIVING PULLEY				*		1	
43		SS8151550SP		SCREW 15/64-28 L=15				*		1	
44		WP0482086SD		WASHER 4.8X11.5X2				*		2	
45		SS8620850SP		SCREW 3/16-32 L=8.0				*		1	

# PEDAL PRESSURE DECREASING UNIT COMPONENTS

0200-16 08

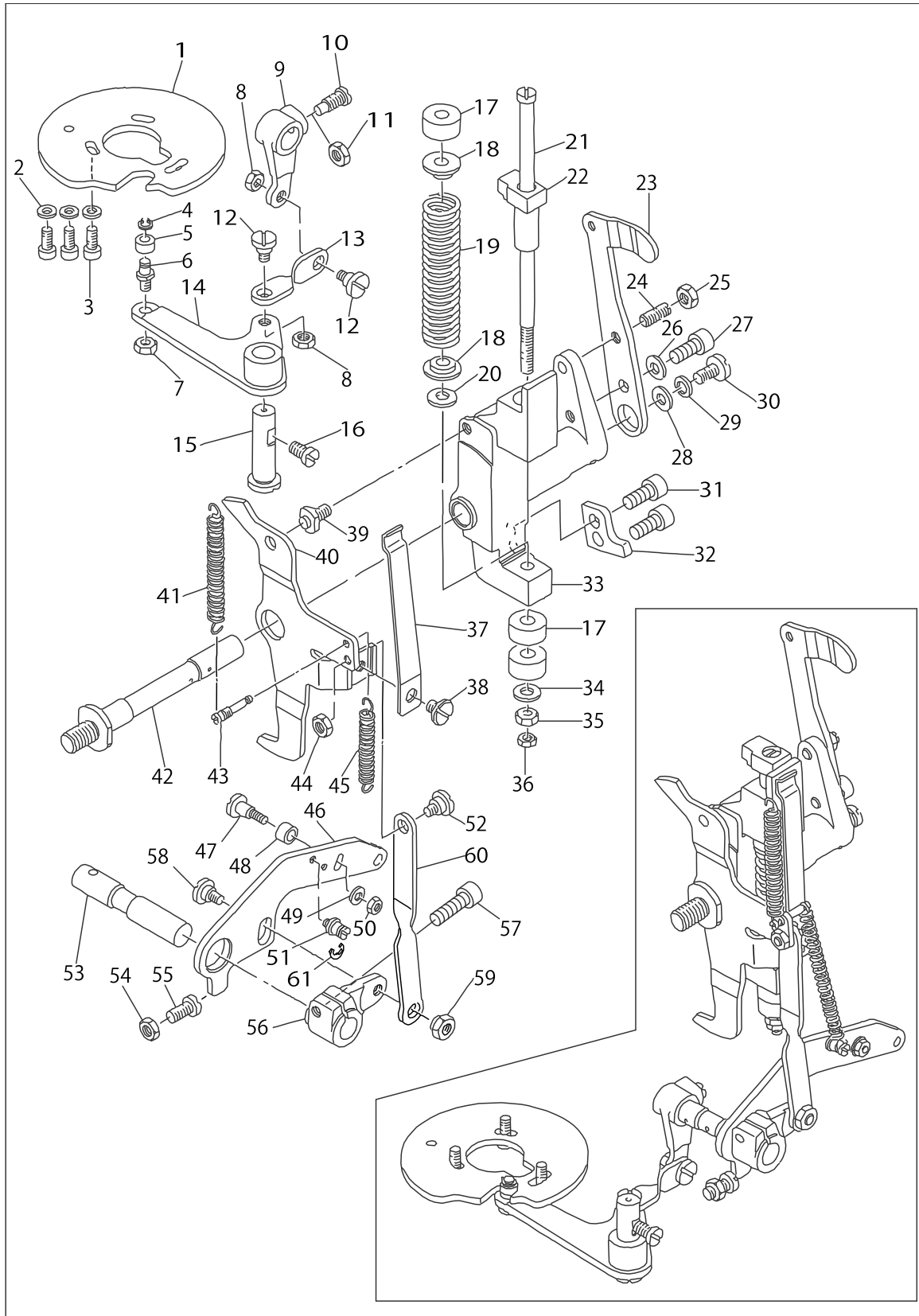


PEDAL PRESSURE DECREASING UNIT COMPONENTS

No.	Supply Code	Parts No.	Replacement	Parts name	Remarks	Choice	Step	Level	Cons	Qty	Rep. QTY
46		SM6062002TP		SCREW M6 L=20							3
47		13532254		IDLER PULLEY ASM.							1
48		SD1201501SP		HINGE SCREW D=12 H=15				*			1
49		26235200		IDLER BRACKET				*			1
50		WP0621016SD		WASHER 6.2X13X1				*			1
51		SS6150760SN		SCREW 15/64-28 L=6.5				*			1
52		NS6150310SP		NUT 15/64-28				*			1
53		WP0612056SD		WASHER 6.1X18.5X2				*			1
54		26235408		IDLER RING				*			1
55		13532262		IDLER PULLEY ASM.				*			1



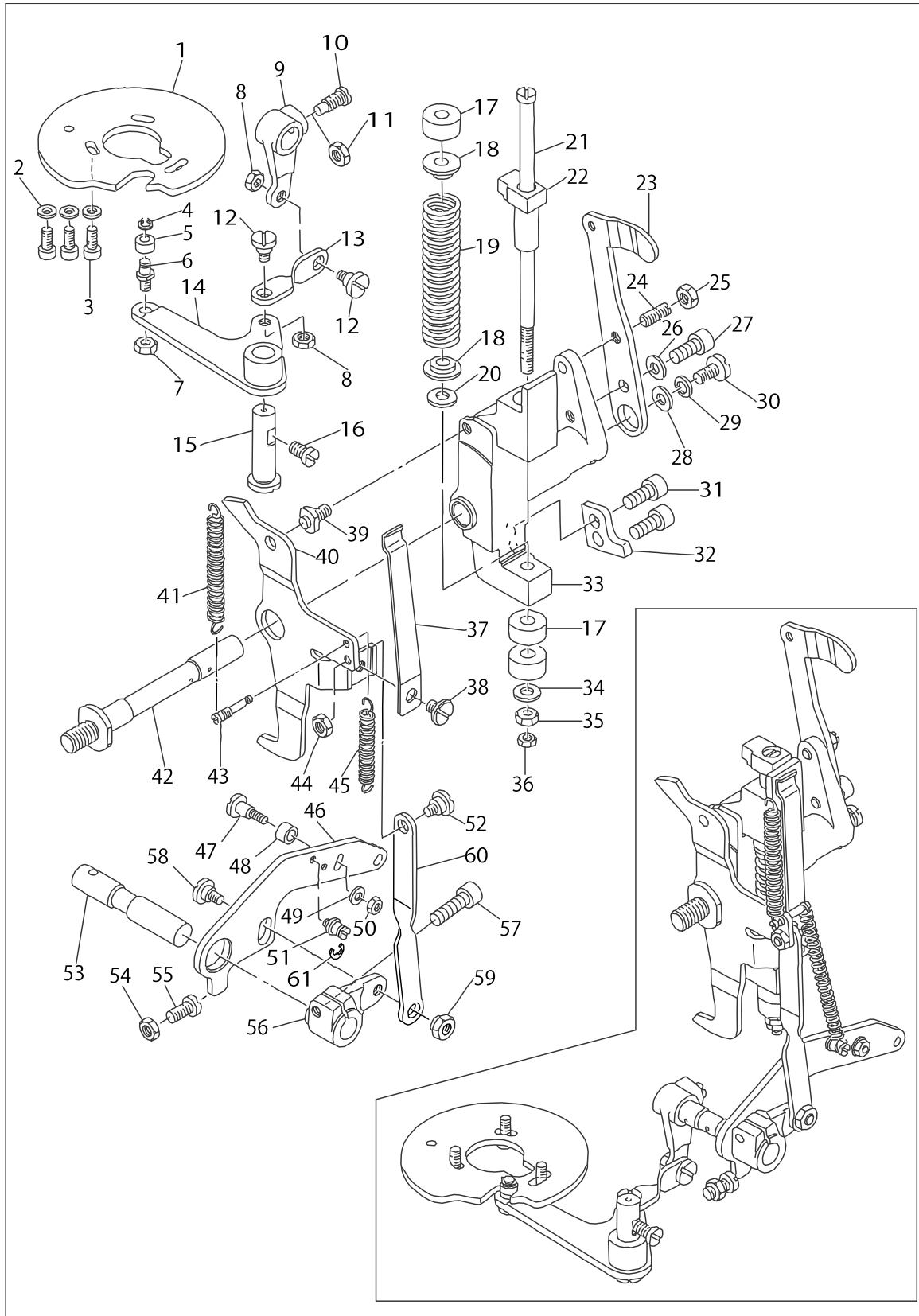
# STOP-MOTION MECHANISM COMPONENTS



STOP-MOTION MECHANISM COMPONENTS

No.	Supply Code	Parts No.	Replacement	Parts name	Remarks	Choice	Step	Level	Cons	Qty	Rep. QTY
1		13522008		STOP-MOTION REGULATING CAM						1	
2		WP0482086SD		WASHER 4.8X11.5X2						3	
3		SS6121212TP		SCREW 3/16-28 L=12.0						3	
4		RC0470611KP		RETAINING RING 4.7						1	
5		26228601		ROLLER						1	
6		26228502		ROLLER SHAFT						1	
7		NS6150430SP		NUT 15/64-28						1	
8		NS6150430SP		NUT 15/64-28						2	
9		13521505		STOP-MOTIONARMB						1	
10		SS6681720TP		SCREW 9/32-28 L=16.5						1	
11		NS6680320SP		NUT 9/32-28						1	
12		SD0800402TP		HINGESCREWD=8H=4						2	
13		26228205		STOP-MOTION LINK						1	
14	R	13521760	26200154	LEVER ASM.						1	1.00
15		26228304		REGULATING LEVER STUD						1	
16		SS7151120SP		SCREW15/64-28L=11						1	
17		B2608280000		RUBBER CUSHION						3	
18		26229104		WASHER						2	
19		26229005		PRESSURE SPRING						1	
20		WP0751576SD		WASHER 7.5X19X1.5						1	
21	R	B2605372000	26027805	STOP MOTION PLUNGER ROD						1	1.00
22		26228908		STOP MOTION HOOK						1	
23		13520309		PULLEY PRESSING PLATE						1	
24		SS8151780SP		SCREW 15/64-28 L=17.0						1	
25		NS6150430SP		NUT 15/64-28						1	
26		WP0621016SD		WASHER 6.2X13X1						1	
27		SM6061802TP		SCREW M6 L=18						1	
28		WP0612056SD		WASHER 6.1X18.5X2						1	
29		WS0641560KR		SPRING WASHER 6.4X11.9X1.5						1	
30		SS7151330SP		SCREW 15/64-28 L=13.0						1	
31		SM6061402TP		SCREW M6 L=14						2	
32		13520705		SAFETY PLATE						1	
33		13520119		STOP-MOTION LEVER						1	
34		WP0751576SD		WASHER 7.5X19X1.5						1	
35		NS6680410SP		NUT 9/32-28						1	
36		NS6680410SP		NUT 9/32-28						1	
37		26227306		STOP-MOTION LEV- ER PLATE SPRING						1	
38		SS5680740SP		SCREW 9/32-28L=6.8						1	
39		26227207		GUIDE PIN						1	
40		13520408		DRIVING PLATE						1	
41		13520804		TENSION SPRING						1	
42		26202903		STOP-MOTION LEVER SHAFT						1	
43		26228700		STARTING SPRING HOOK						1	
44		NS6150310SP		NUT 15/64-28						1	
45		26227900		TENSION SPRING						1	
46		26204701		STARTING LEVER						1	

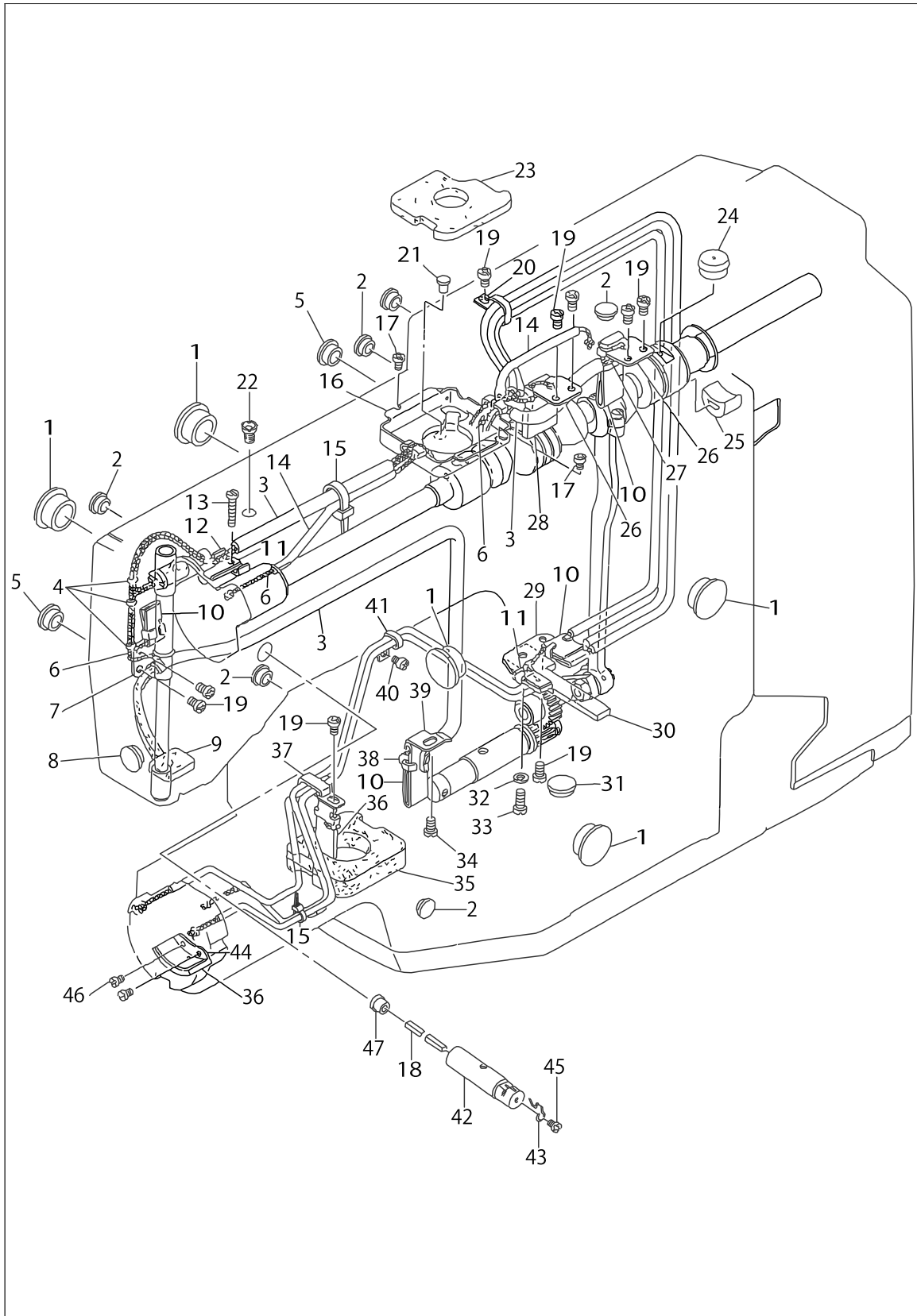
# STOP-MOTION MECHANISM COMPONENTS



STOP-MOTION MECHANISM COMPONENTS

No.	Supply Code	Parts No.	Replacement	Parts name	Remarks	Choice	Step	Level	Cons	Qty	Rep. QTY
47		SD0640801TP		HINGE SCREW D= 6.35 H= 8.0						1	
48		26228809		SLIDE ROLLER						1	
49		WP0480856SP		WASHER 4.8X8.4X0.8						1	
50		NS6110420SP		NUT 11/64-40						1	
51		26229302		SUSPENSION SCREW						1	
52		SD0800402TP		HINGESCREWD=8H=4						1	
53		13521406		STOP-MOTION ARM SHAFT						1	
54		NS6150310SP		NUT 15/64-28						1	
55		SS6151440SP		SCREW15/64-28L=14						1	
56		13521125		STOP-MOTIONARMA						1	
57		SM6062002TP		SCREW M6 L=20						1	
58		SD0800352SP		HINGE SCREW D=8 H=3.5						1	
59		26227702		NUT						1	
60		26227603		STOP-MOTION CO- NNECTING LEVER						1	
61		RE0400000K0		E-RING 4						1	

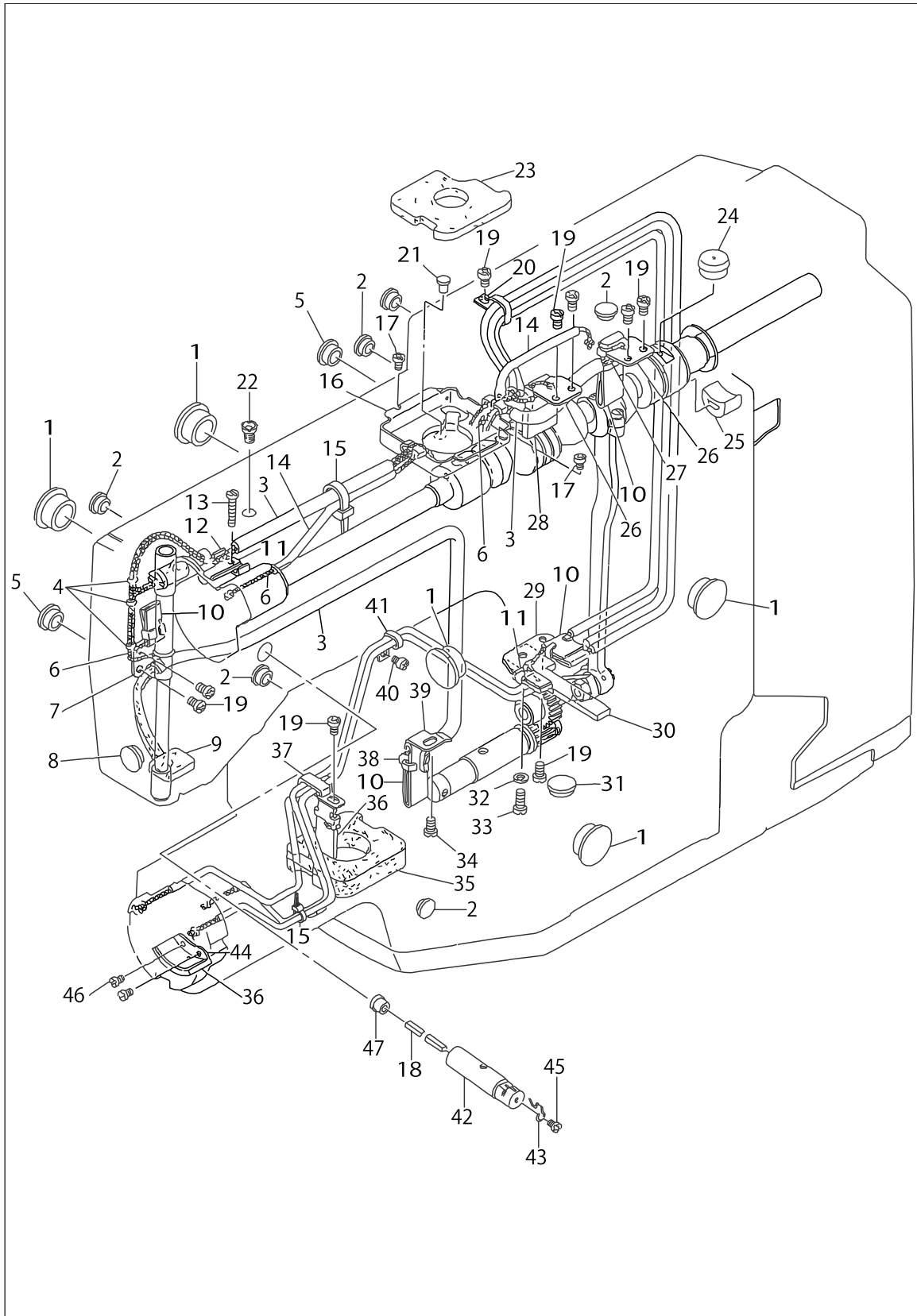
# LUBRICATION MECHANISM COMPONENTS



LUBRICATION MECHANISM COMPONENTS

No.	Supply Code	Parts No.	Replacement	Parts name	Remarks	Choice	Step	Level	Cons	Qty	Rep. QTY
1		TA2100904R0		RUBBER PLUG						5	
2		TA1050504R0		RUBBER PLUG						6	
3		BP600000000		VINYL PIPE						.7	
4		26230706		OIL WICK PRESSER						3	
5		TA1250406R0		RUBBER PLUG D=12.5 L=4						2	
6		CQ252200000		OIL WICK						4.7	
7		26231209		OIL WICK PRESSER						1	
8		TA1250406R0		RUBBER PLUG D=12.5 L=4						1	
9		B3507280000		OIL FELT						1	
10		B3509280000		NEEDLE ROD CRANK LUBRICATING						4	
11		B3518280000		BALANCE LUBRICATING						2	
12		26231407		BALANCE LUBRICATING PLATE						1	
13		SS6091510SP		SCREW 9/64-40 L=15.0						1	
14		BP300000100		VINYL TUBE						2.5	
15		EA9500B0100		CABLE BAND						2	
16		26230102		LUBRICATING TANK						1	
17		SS4090515SP		SCREW 9/64-40 L=5						2	
18		13501705		SILICON OIL FELT	SPECIAL ORDER PARTS					1	
19		SS4110715SP		SCREW 11/64-40 L=7						9	
20		26230409		LUBRICATING OIL WICK STOPPER						1	
21		TA0750704R0		RUBBER PLUG						1	
22		13501408		SILICON OIL POURING HOLE	SPECIAL ORDER PARTS					1	
23		13529904		LUBRICATING TANK FELT						1	
24		26230904		GREASE CAP						1	
25		13528708		REAR METAL BUSH						1	
26		26231605		CRANK ROD LUBRICATING PLATE						2	
27		13529201		CRANK LUBRICATING FELT						1	
28		13529102		OIL FELT						1	
29	D	26229401		OSCILLATOR LUBRICATION PLATE						1	
30		B3515280000		OSCILLATOR LUBRICATING FELT						1	
31		TA1450404R0		RUBBER PLUG D=14.5 L=4						1	
32		WP0621016SD		WASHER 6.2X13X1						1	
33		SS6111140SP		SCREW 11/64-40 L=11						1	
34		SS7110510SP		SCREW 11/64-40 L=5						1	
35		B3502280000		LUBRICATING TANK FELT						1	
36		B3504280000		SHUTTLE FELT						2	
37	D	26229609		HOOK OIL WICK STOPPER A						1	
38		B3541012000		OIL WICK						1	
39	D	26230003		OIL FELT HOLDER						1	
40		SS4110515SP		SCREW 11/64-40 L=5						1	
41		26231902		OIL WICK PIPE STOPPER						1	
42		13501309		SILICON OIL PIPE	SPECIAL ORDER PARTS					1	
43		B1127280000		SILICON OIL THREAD GUIDE	SPECIAL ORDER PARTS					1	
44		26231100		SHUTTLE LUBRICATING PLATE						1	

# LUBRICATION MECHANISM COMPONENTS



LUBRICATION MECHANISM COMPONENTS

No.	Supply Code	Parts No.	Replacement	Parts name	Remarks	Choice	Step	Level	Cons	Qty	Rep. QTY
45		SS4110515SP		SCREW 11/64-40 L=5	SPECIAL ORDER PARTS					1	
46		SS6090440SP		SCREW 9/64-40 L= 4.0						2	
47		TA1050504R0		RUBBER PLUG	SPECIAL ORDER PARTS					1	



# TABLE COMPONENTS

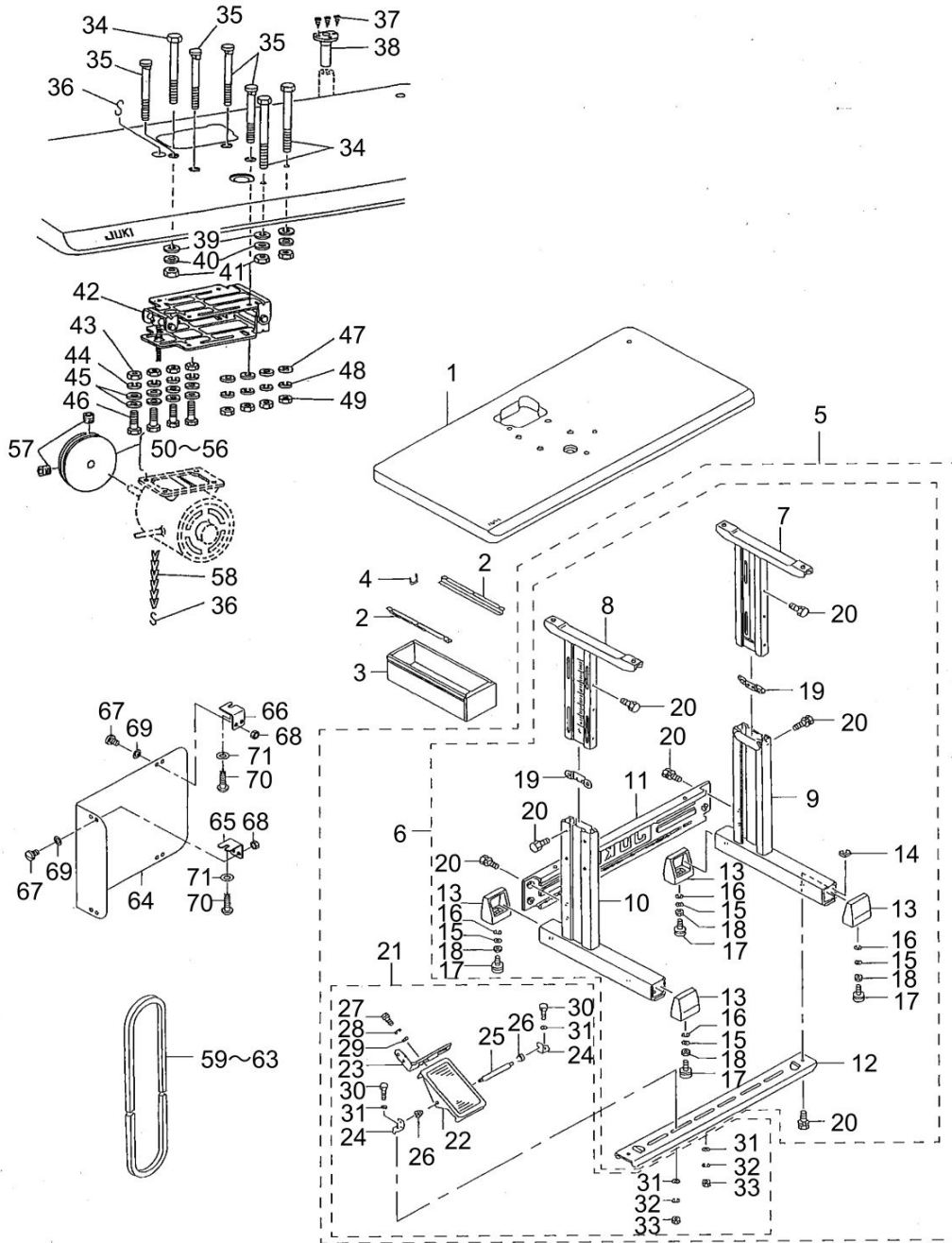


TABLE COMPONENTS

No.	Supply Code	Parts No.	Replacement	Parts name	Remarks	Choice	Step	Level	Cons	Qty	Rep. QTY
1	D	13817507		TABLE						1	
2		11155207		DRAWER SUPPORT						2	
3	R	11155108	11155157	DRAWER						1	1.00
4		D8204555D00		DRAWER STOPPER						1	
5	D	13508056		T-STAND COMPL.						1	
6	R	11157559	11157567	T-STAND ASM.				*		1	1.00
7		11157658		STAND UPPER, RIGHT				*		1	
8		11157757		STAND UPPER, LEFT				*		1	
9	D	11157955		STUD ASM., RIGHT				*		1	
10	D	11158052		STRUT JUNCTION (LEFT)				*		1	
11	D	11158300		STAND SIDE SUPPORT				*		1	
12		11158409		STAND SIDE SUPPORT				*		1	
13		11158607		RUBBER CAP				*		4	
14		17007402		NUT				*		2	
15		WP1302501SE		WASHER M12				*		4	
16		WS1253010KN		SPRING WASHER 12.5X21.5X3				*		4	
17		B81085550A0		ADJUSTING SCREW ASM. WITH CAP				*		4	
18		NM6120003SE		NUT M12				*		4	
19		11158508		PLATE				*		2	
20		SL9082091SE		WASHER HEXAGONAL BOLT				*		12	
21		13817754		Z-STAND PEDAL ASM.				*		1	
22		GPF060600A0		PEDAL ASM.				*		1	
23		GPF06080000		PEDAL ADJUSTING PLATE				*		1	
24		11159001		PEDAL SHAFT BRACKET				*		2	
25		B8153771000		PEDAL CONNECTING ROD				*		1	
26		D8113555B00		PEDAL BUSHING				*		2	
27		SM9061203SE		SCREW M6 L=12				*		2	
28		WP0671016SE		WASHER 6.7X13X1				*		2	
29		WS0621210KR		SPRING WASHER 6.2X11.4X1.2				*		2	
30		SM9082023SE		SCREW M8 L=20				*		2	
31		WP0871602SE		WASHER 8.7X18X1.6				*		4	
32		WS0861410KR		SPRING WASHER 8.6X15X1.4				*		2	
33		NM6080721SE		NUT M8				*		2	
34		SS9156830SP		SCREW 15/64-28L=68						3	
35		MTJMS000000		MOUNTING BOLT						4	
36	R	B8133019000	13160304	S SHAPED HOOK						2	1.00
37		SK3311600SE		WOOD SCREW D=3.1 L=16						3	
38		26234302		OIL REMOVING FUNNEL						1	
39		WP0612056SD		WASHER 6.1X18.5X2						3	
40		WP0621016SD		WASHER 6.2X13X1						3	
41		NS6150310SP		NUT 15/64-28						3	
42		B71307610A0		MOTOR BASE ASM.						1	
43		NM6060001SE		NUT M6						4	
44		WS0621210KR		SPRING WASHER 6.2X11.4X1.2						4	
45		WP0612056SE		WASHER 6.1X18.5X2						8	
46		SM9062003SC		SCREW M6 L=20						4	

TABLE COMPONENTS

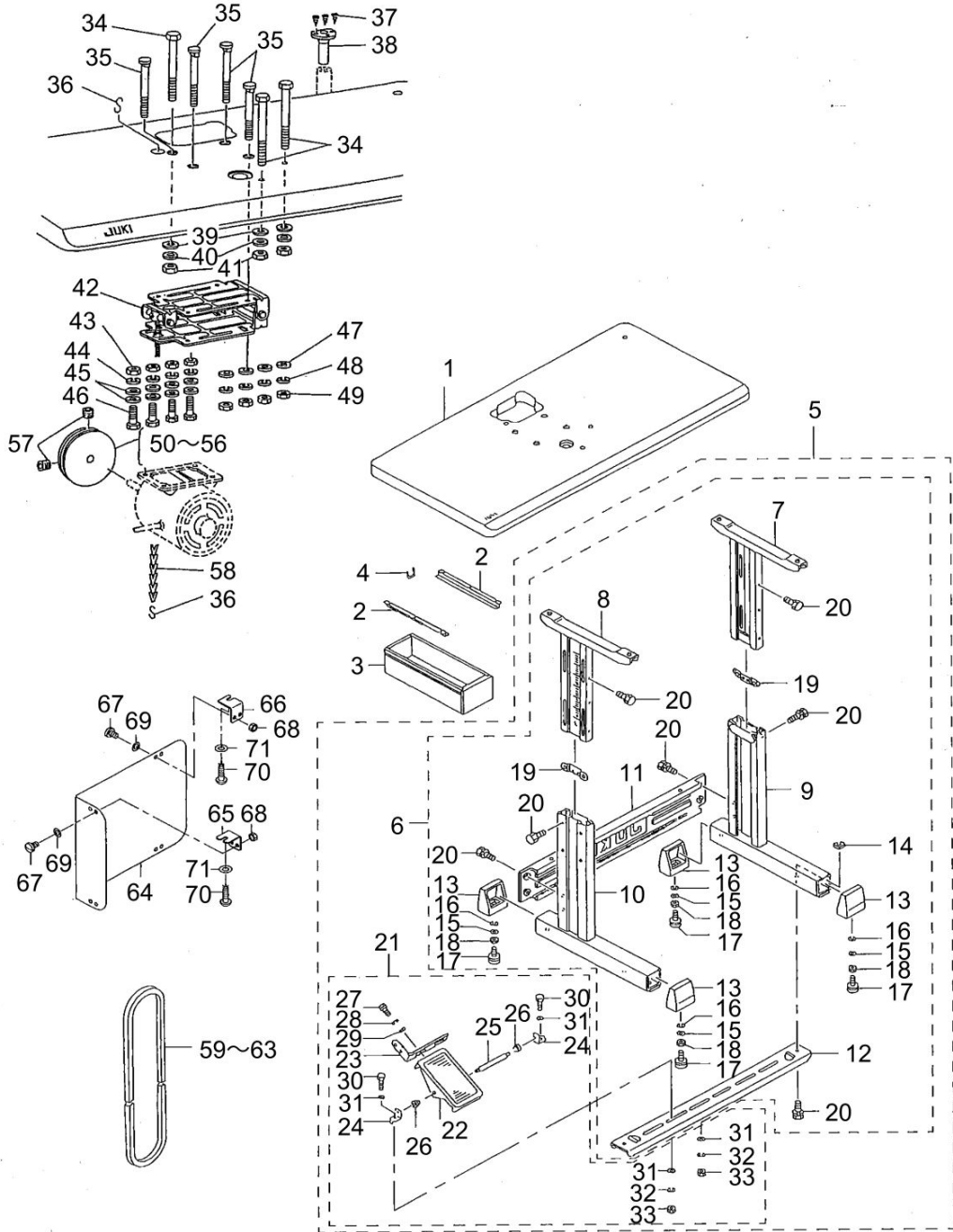
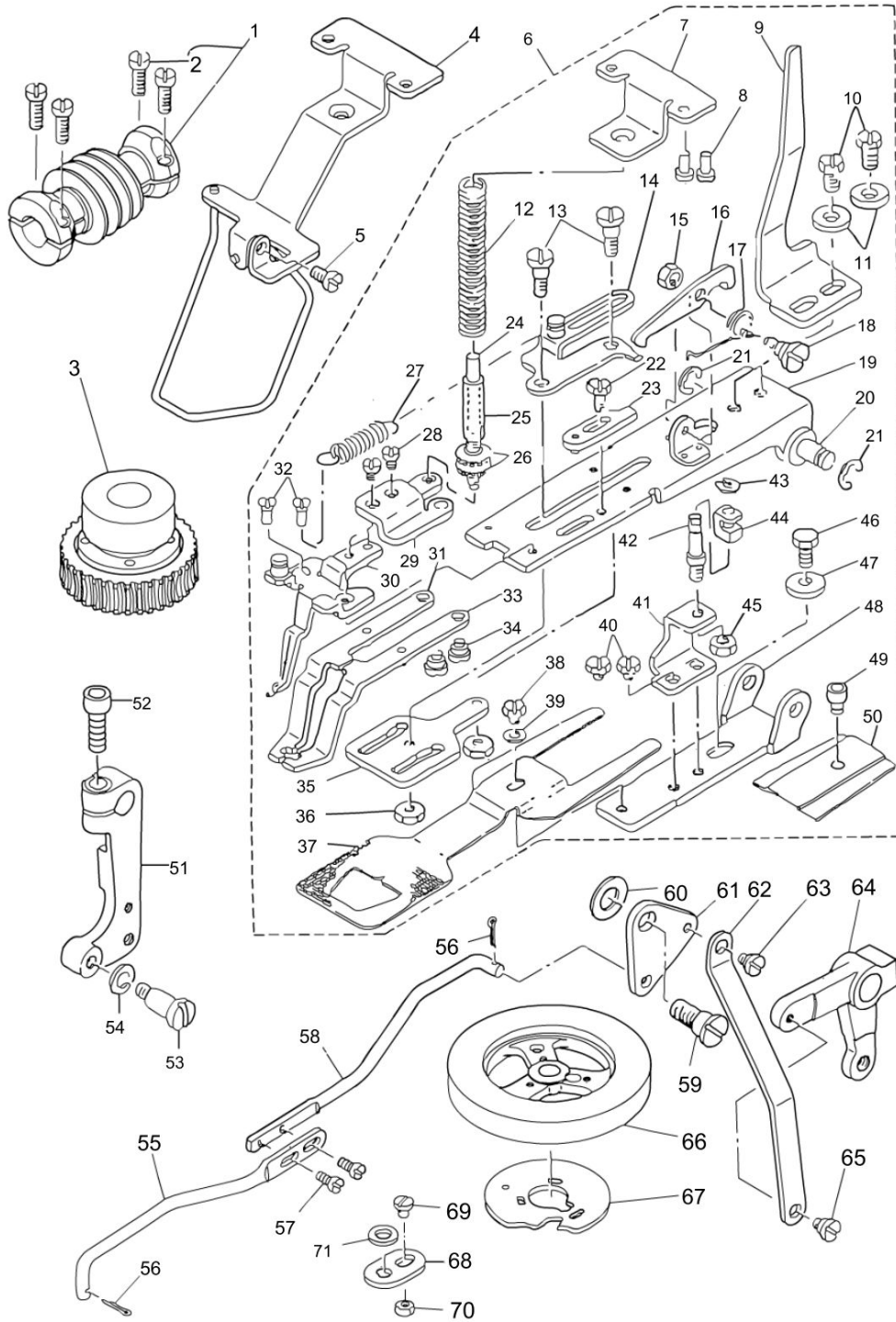


TABLE COMPONENTS

No.	Supply Code	Parts No.	Replacement	Parts name	Remarks	Choice	Step	Level	Cons	Qty	Rep. QTY
47		WP0850002SC		WASHER 8.5X18X1.6						4	
48		WS0902010KN		SPRING WASHER 9.0X15.0X2.0						4	
49		NS6200710SN		NUT 5/16-18						4	
50	R	13531108	26238402	MOTOR PULLEY 50HZ 2300 SPM						1	1.00
51		26202804		MOTOR PULLEY						1	
52		13531306		MOTOR PULLEY 50HZ 1800 SPM						1	
53		26239103		MOTOR PULLEY						1	
54		26237503		MOTOR PULLEY						1	
55		13531603		MOTOR PULLEY 60HZ 1800 SPM						1	
56		13553706		MOTOR PULLEY 60HZ 1500 SPM						1	
57		SS8150822TP		SCREW 15/64-28 L=8						2	
58	R	B8131019000	26037903	CHAIN						1	1.00
59		MTJVM005000		V-BELT, 50INCH	FOR 50HZ 2300SPM					1	
60		MTJVM004900		V-BELT, 49 INCH	FOR 50HZ 2000SPM. 60HZ 2300SPM					1	
61		MTJVM004800		V-BELT, 48 INCH	FOR 50HZ 1800SPM. 60HZ 2000SPM					1	
62		MTJVM004700		V-BELT, 47 INCH	FOR 60HZ 1800SPM					1	
63		MTJVM004600		V-BELT, 46 INCH	FOR SLOW SPEED					1	
64		40009458		PULLEY COVER	FOR DESTINATION ONLY					1	
65		B7272781000		COVER MOUNTING BRACKET B	FOR DESTINATION ONLY					1	
66		26236703		COVER MOUNTING BRACKET C	FOR DESTINATION ONLY					1	
67		SS7110710SP		SCREW 11/64-40 L=7	FOR DESTINATION ONLY					4	
68		NS6110310SP		NUT 11/64-40	FOR DESTINATION ONLY					4	
69		WP0480856SP		WASHER 4.8X8.4X0.8	FOR DESTINATION ONLY					4	
70	R	SK3452000SC	SK3452001SE	WOOD SCREW D=4.5 L=20	FOR DESTINATION ONLY					2	1.00
71		WP0501016SC		WASHER 5X10.5X1	FOR DESTINATION ONLY					2	

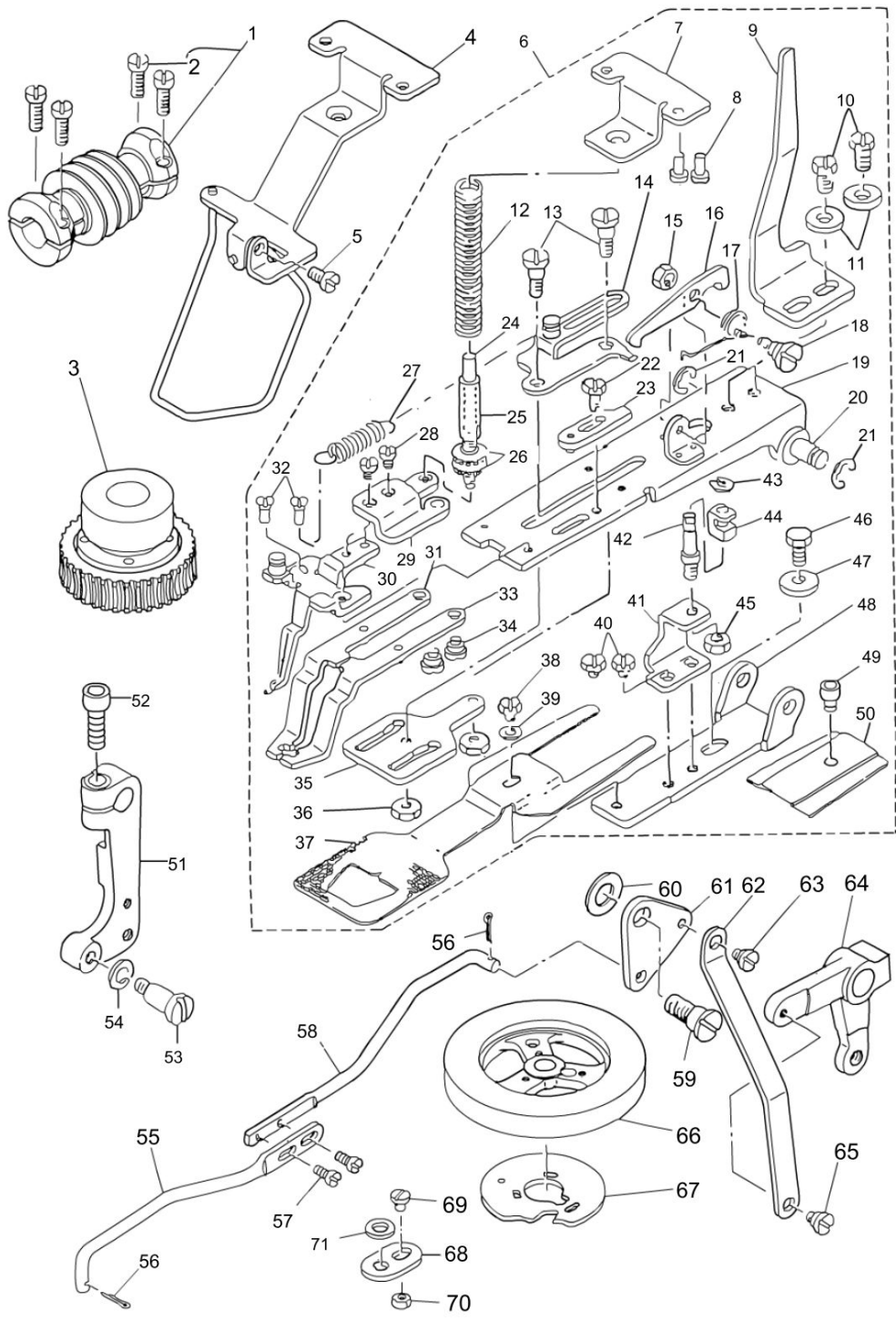
LK-1850 SERIES SUBCLASS



LK-1850 SERIES SUBCLASS

No.	Supply Code	Parts No.	Replacement	Parts name	Remarks	Choice	Step	Level	Cons	Qty	Rep. QTY
1		13510862		WORM ASM.						1	
2		SS7111410TP		SCREW11/64-40L=14				*		4	
3		13510953		FEED CAM DRIVING WHEEL ASM.						1	
4		13541750		FINGER GUARD ASM.						1	
5	R	SS7111120SP	SS7111120TP	SCREW 11/64-40 L=10.5						1	1.00
6		13540752		WORK CLAMP FOOT BRACKET ASM.						1	
7		13541206		WORK CLAMP FOOT PLATE COVER				*		1	
8		SS7110840SP		SCREW 11/64-40 L=7.8				*		2	
9		13541404		WORK CLAMP FOOT LIFTING PLATE				*		1	
10		SS9151120CP		SCREW15/64-28L=11				*		2	
11		WP0612516SD		WASHER6.1X15.2X2.5				*		2	
12		D2529232D00		PRESSER SPRING				*		1	
13		D2545232D0A		HINGE SCREW	SELECTIVE PARTS			*		2	
14		D2513232DA0		BRACKETGUIDEASM.				*		1	
15		NS6110530SP		NUT 11/64-40				*		1	
16		D2509232D00		STATIONING LATCH				*		1	
17		D2512232D00		TORSION SPRING				*		1	
18		D2511232D00		SCREW				*		1	
19	D	D2504282AB0A		KNOB FOOT MOUNT BASE ASM.				*		1	
20		D2502232D00		SHAFTBLOCKSHAFT				*		1	
21		RE0700000K0		E-RING 7				*		2	
22		SS9110920CP		SCREW 11/64-40 L=9				*		1	
23		D2516232DA0		WORK CLAMP FOOT REGULATOR				*		1	
24		D2528232D00		SHAFT				*		1	
25		D2527232D00		SLEEVE				*		1	
26		B3117352000		THREAD TENSION POST NUT				*		2	
27		D2515232D00		TORSION SPRING				*		1	
28		SS7110840SP		SCREW 11/64-40 L=7.8				*		2	
29		13541107		WORK CLAMP FOOT SPRING HOLDER				*		1	
30		13541057		CLAMP GUIDE FOOT ASM.				*		1	
31		D2520232DA0		WORK CLAMP FOOT(LEFT)ASM.				*		1	
32		SS1110640TP		SCREW 11/64-40 L= 5.5				*		2	
33		D2521232DA0		WORK CLAMP FOOT(RIGHT)ASM.				*		1	
34		SD0550271TP		HINGE SCREW D= 5.50 H= 2.7				*		2	
35		D2519232D00		WORK CLAMP FOOT PLATE CAM				*		1	
36		NS6120480SP		NUT 3/16-28				*		2	
37		13541503		FEED PLATE				*		1	
38		SS9110460CP		SCREW 11/64-40 L=4				*		1	
39		WP0501016SD		WASHER 5X10.5X1				*		1	
40		SS9110460CP		SCREW 11/64-40 L=4				*		2	
41		13540802		SHAFT BRACKET BASE				*		1	
42		13540901		STATIONING BLOCK SHAFT				*		1	
43		D2548232D00		SNAP RING, FOR CO- NNECTING ROD				*		1	
44	D	D2507232D00		STATIONING BLOCK				*		1	

LK-1850 SERIES SUBCLASS

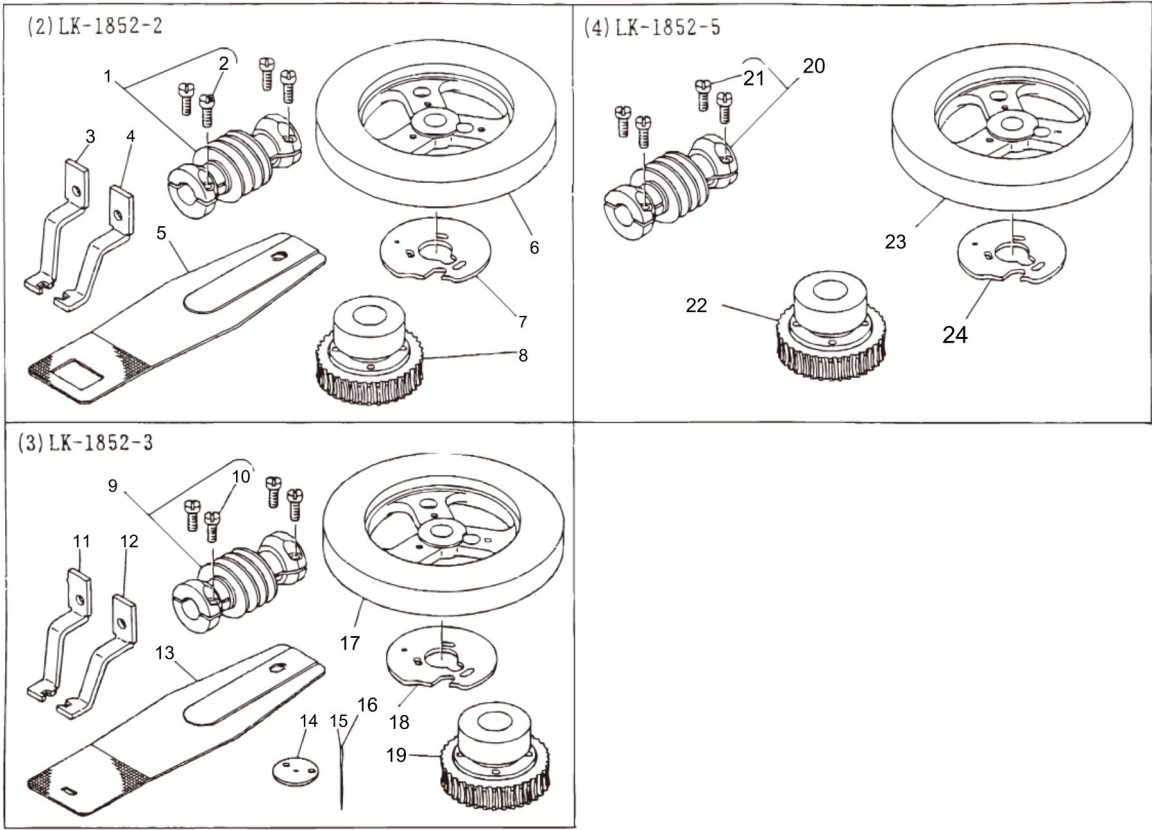


LK-1850 SERIES SUBCLASS

No.	Supply Code	Parts No.	Replacement	Parts name	Remarks	Choice	Step	Level	Cons	Qty	Rep. QTY
45		NS6150310SP		NUT 15/64-28				*		1	
46		SS9151120CP		SCREW15/64-28L=11				*		1	
47		WP0612516SD		WASHER 6.1X15.2X2.5				*		1	
48		13540703		WORK CLAMP FOOT BRACKET ASM.				*		1	
49		SM6060802TP		SCREW M6 L=8				*		1	
50		WP0612066SP		WASHER 6.1X11X2				*		1	
51		13541313		CONNECTING ARM						1	
52		SM6061802TP		SCREW M6 L=18						1	
53		SD1201501SP		HINGE SCREW D=12 H=15						1	
54		WP0651056SH		WASHER 6.5X11X1						1	
55		13540604		DRIVING BAR B						1	
56		PD02010000B		SPLIT PIN						2	
57		SS7090610SP		SCREW 9/64-40 L=6						2	
58	D	13540505		DRIVING BAR A						1	
59		SD0900701TP		HINGE SCREW D= 9 H= 7						1	
60		13540406		WASHER						1	
61		13540307		LEVER						1	
62		13540208		LINK						1	
63		SD0640321SP		HINGE SCREW D= 6.35 H= 3.2						1	
64		13540109		STOP-MOTION REG- ULATING ARM B						1	
65		SD0640241SP		HINGE SCREW D= 6.35 H= 2.4						1	
66		13541800		FEED CAM						1	
67		13538301		STOP-MOTION REGULATING CAM						1	
68		13547807		FEED STOP WASHER						1	
69	R	SS6090510SP	SS6090510TP	SCREW 9/64-40 L=5						1	1.00
70		NS6090310SP		NUT 9/64-40						1	



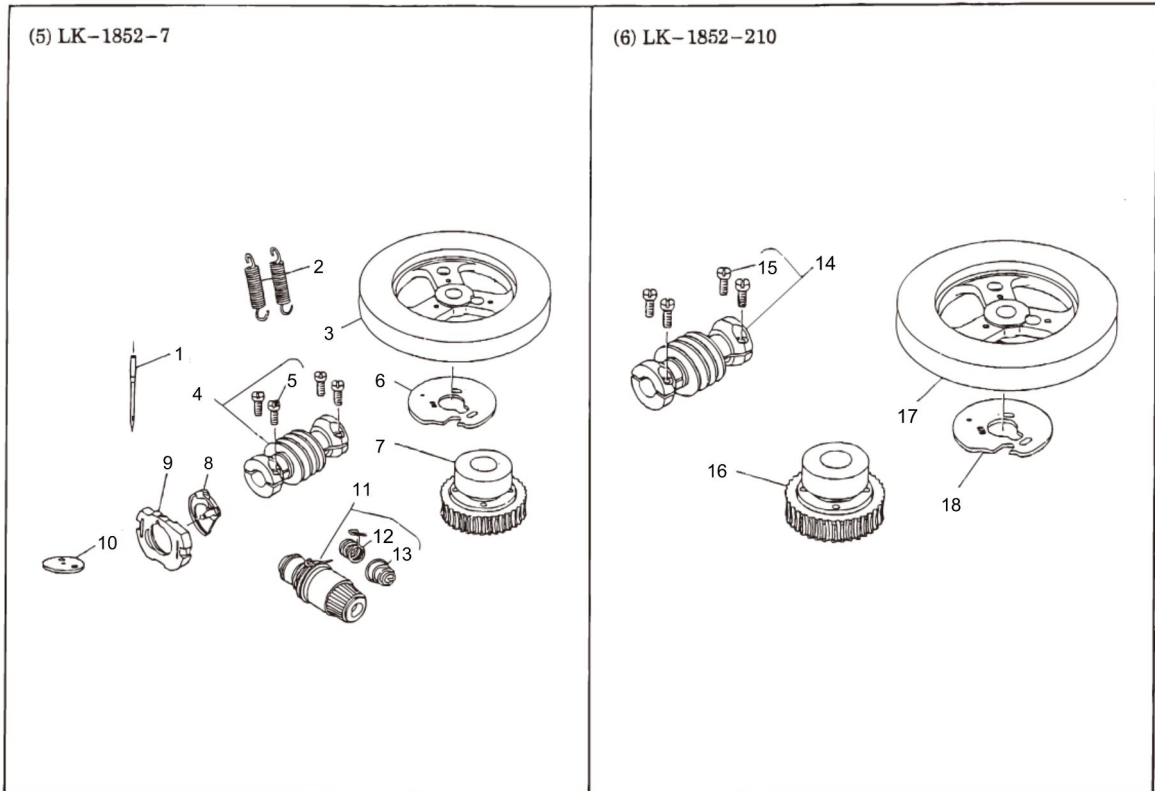
LK-1850 SERIES SUBCLASS



LK-1850 SERIES SUBCLASS

No.	Supply Code	Parts No.	Replacement	Parts name	Remarks	Choice	Step	Level	Cons	Qty	Rep. QTY
1		13510862		WORM ASM.						1	
2		SS7111410TP		SCREW11/64-40L=14				*		4	
3		13542402		WORK CLAMP FOOT, RIGHT						1	
4		13542501		WORK CLAMP FOOT, LEFT						1	
5		13542303		FEED PLATE						1	
6		13541800		FEED CAM						1	
7		13538301		STOP-MOTION REGULATING CAM						1	
8		13510953		FEED CAM DRIVING WHEEL ASM.						1	
9		13510862		WORM ASM.						1	
10		SS7111410TP		SCREW11/64-40L=14				*		4	
11		13542915		WORK CLAMP FOOT, RIGHT						1	
12		13543012		WORK CLAMP FOOT, LEFT						1	
13		13542816		CLOTH PRESSER PLATE						1	
14		D2426282C00		NEEDLE HOLE GUIDE						1	
15		MDP500B1100		NEEDLE DPX5 #11						1	
16		MC200500750		NEEDLE 134 NM75						1	
17		13542709		FEED CAM						1	
18		13538301		STOP-MOTION REGULATING CAM						1	
19		13510953		FEED CAM DRIVING WHEEL ASM.						1	
20		13510862		WORM ASM.						1	
21		SS7111410TP		SCREW11/64-40L=14				*		4	
22		13510953		FEED CAM DRIVING WHEEL ASM.						1	
23	D	13543202		FEED CAM						1	
24		13538301		STOP-MOTION REGULATING CAM						1	

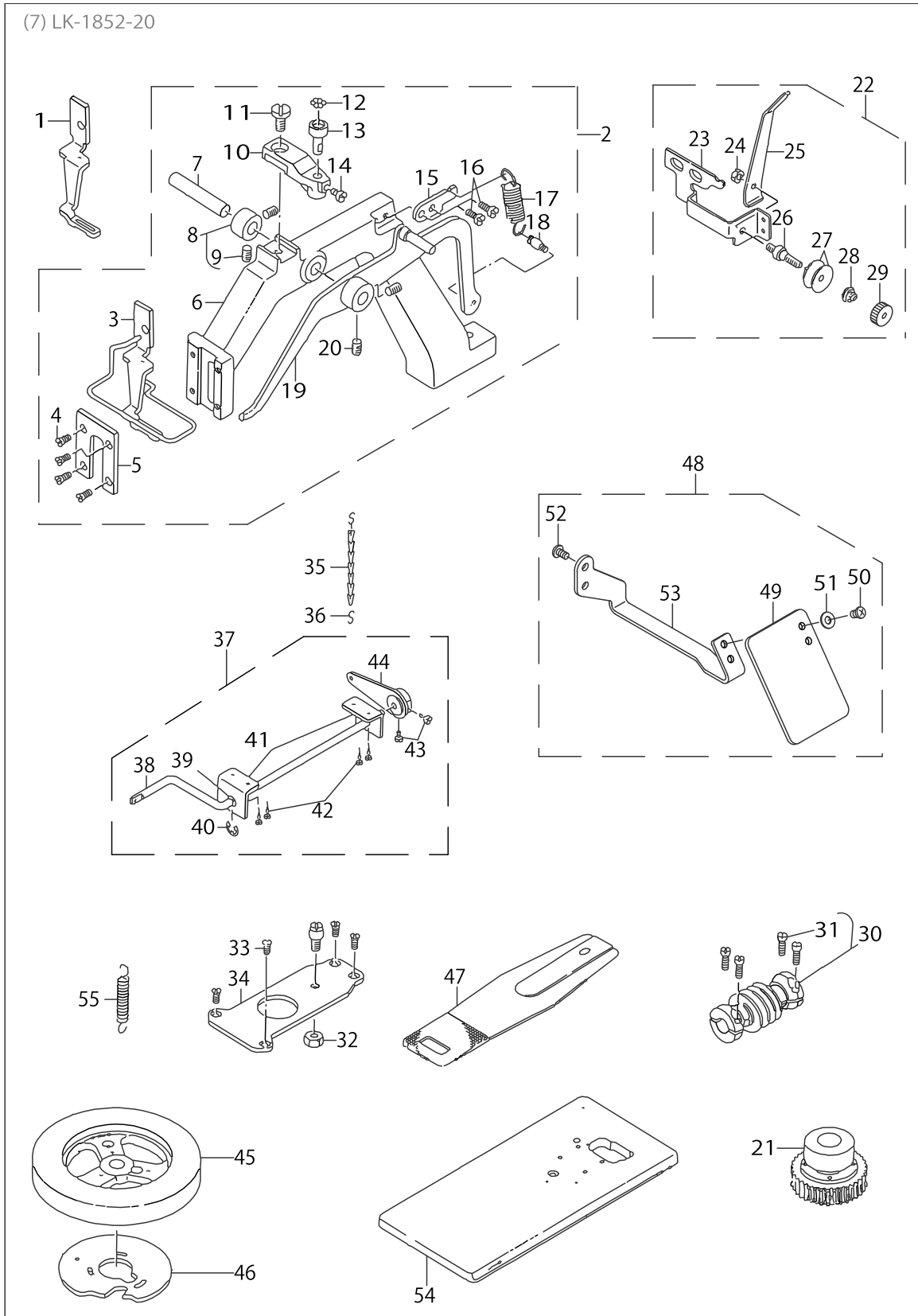
LK-1850 SERIES SUBCLASS



LK-1850 SERIES SUBCLASS

No.	Supply Code	Parts No.	Replacement	Parts name	Remarks	Choice	Step	Level	Cons	Qty	Rep. QTY
1		MDP500B2100		NEEDLE DPX5 #21						1	
2	R	13519004	14105407	TENSION SPRING						1	1.00
3	D	13543202		FEED CAM						1	
4		13510862		WORM ASM.						1	
5		SS7111410TP		SCREW11/64-40L=14				*		4	
6		13538301		STOP-MOTION REGULATING CAM						1	
7		13510953		FEED CAM DRIVING WHEEL ASM.						1	
8		D1818282N00		SHUTTLE						1	
9		D1817282N00		SHUTTLE RACE RING, THICK NEEDLE						1	
10		B242628000C		NEEDLE PLATE NEEDLE HOLE GUIDE						1	
11		B23022050A0		TENSION CONTROLLER NO.2 ASM.						1	
12		D3112L4BB00		TAKE-UP SPRING (HEAVY)				*		1	
13		B3129053000		TENSION SPRING				*		1	
14		13510862		WORM ASM.						1	
15		SS7111410TP		SCREW11/64-40L=14				*		4	
16		13510953		FEED CAM DRIVING WHEEL ASM.						1	
17		13564901		FEED CAM 1852-210						1	
18		13538301		STOP-MOTION REGULATING CAM						1	

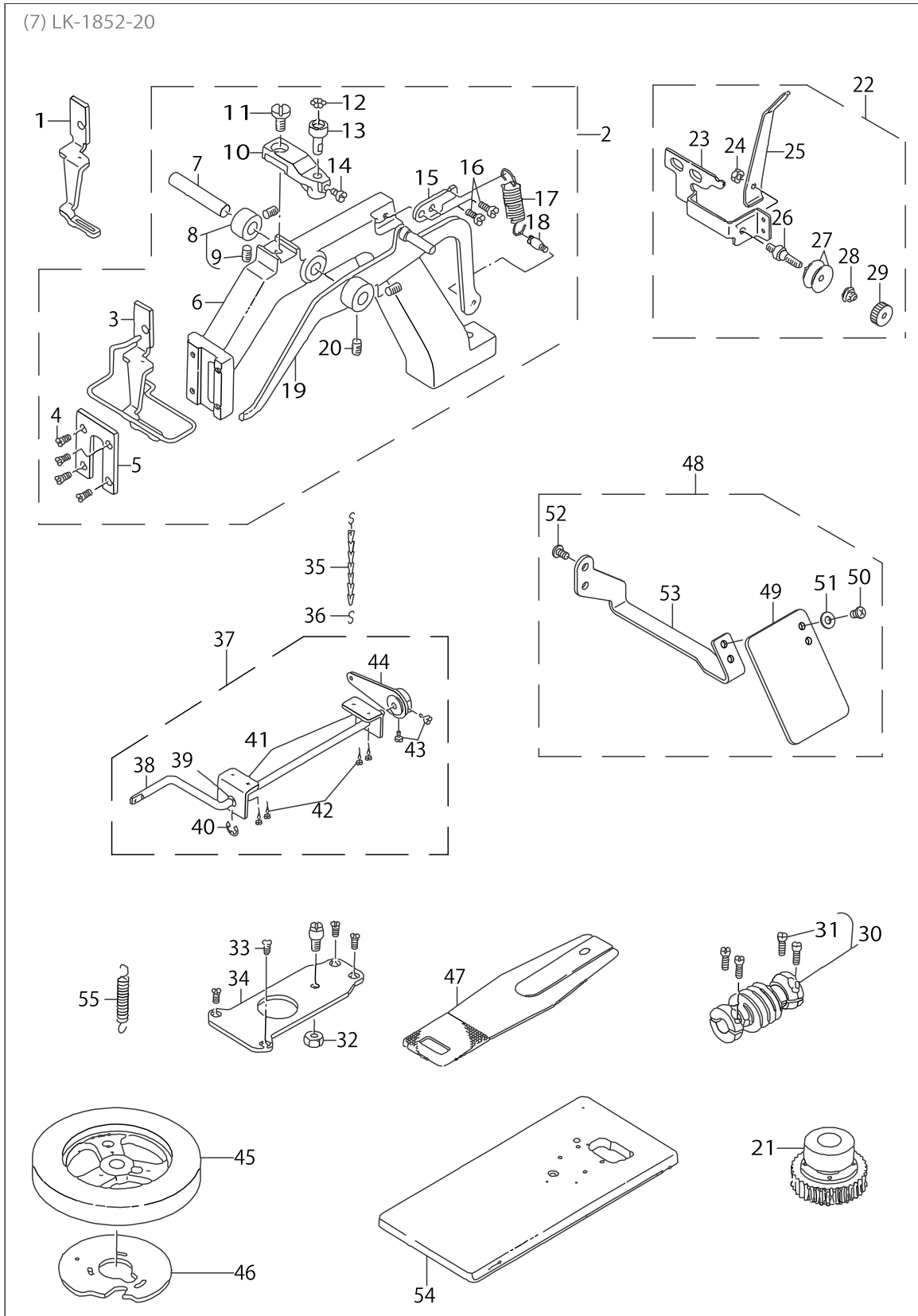
LK-1850 SERIES SUBCLASS



LK-1850 SERIES SUBCLASS

No.	Supply Code	Parts No.	Replacement	Parts name	Remarks	Choice	Step	Level	Cons	Qty	Rep. QTY
1		13544416		CLOTH PRESSER FOOT						1	
2		13543764		CLOTH FEED BASE ASM.						1	
3		13544465		CLOTH PRESSER FOOT ASM.				*		1	
4	R	SS7120910SP	SS7120910TP	SCREW 3/16-28 L=9				*		4	1.00
5		13544614		CLOTH FEED BASE COVER				*		1	
6		13543715		CLOTH FEED BASE				*		1	
7		B2539280000		STUD				*		1	
8		CS087101BSH		THRUST COLLAR A-SM. D=8.73 W=10				*		1	
9		SS8150822TP		SCREW 15/64-28 L=8				*		2	
10		13543806		BALL HOLDER				*		1	
11		SS7151210SP		SCREW 15/64-28 L=12				*		1	
12		B2549280000		WORK CLAMP FOOT MOUNTING BASE				*		7	
13	R	B2548280000	26224808	BALL RETAINER				*		1	1.00
14		SS7110740TP		SCREW 11/64-40 L=7				*		1	
15		13543905		SPRINGSUSPENSION				*		1	
16		SS6120940SP		SCREW 3/16-28 L=9				*		2	
17		13544705		SPRING				*		1	
18	R	B3413552000	26229302	SUSPENSION SCREW				*		1	1.00
19		13544051		LIFTING LEVER ASM.				*		1	
20		SS8150822TP		SCREW 15/64-28 L=8				*		2	
21		13510953		FEED CAM DRIVING WHEEL ASM.						1	
22		40038080		THREAD GUIDE BRACKET ASM.						1	
23		26203406		THREAD GUIDE BRACKET				*		1	
24		NS6110310SP		NUT 11/64-40				*		1	
25		40038078		THREAD GUIDE				*		1	
26	R	26216705	40009348	BOBBIN WINDER TENSION POST		A	LBH	*		1	1.00
26	R	26216705	26203455	BOBBIN WINDER TENSION POST		B	LK	*		1	1.00
27		22945802		THREAD TENSION DISK				*		2	
28		26216606		BOBBIN WINDER TENSION SPRING				*		1	
29	R	26216507	26203455	BOBBIN WINDER TENSION NUT		A	LK-1850	*		1	1.00
29	R	26216507	40009348	BOBBIN WINDER TENSION NUT		B	LBH-78*	*		1	1.00
30		13510862		WORM ASM.						1	
31		SS7111410TP		SCREW 11/64-40 L=14				*		4	
32		NS6150540SP		NUT 15/64-28						1	
33		SS2110930SP		SCREW 11/64-40 L=8.5						4	
34		13543509		FEED PLATE HOLDER						1	
35		40060887		CHAIN						1	
36		13160304		S SHAPED HOOK						2	
37	D	13544952		PEDAL LEVER ASM.						1	
38		13544903		PEDAL SHAFT				*		1	
39		WP1021016SD		WASHER				*		1	
40		RE0900000K0		E-RING 9				*		1	
41		13545009		PEDAL SHAFT BRACKET				*		2	
42		SK3483200SE		WOOD SCREW D=4.8 L=32				*		4	
43		SS6661110SP		SCREW 1/4-40 L=11				*		2	

LK-1850 SERIES SUBCLASS

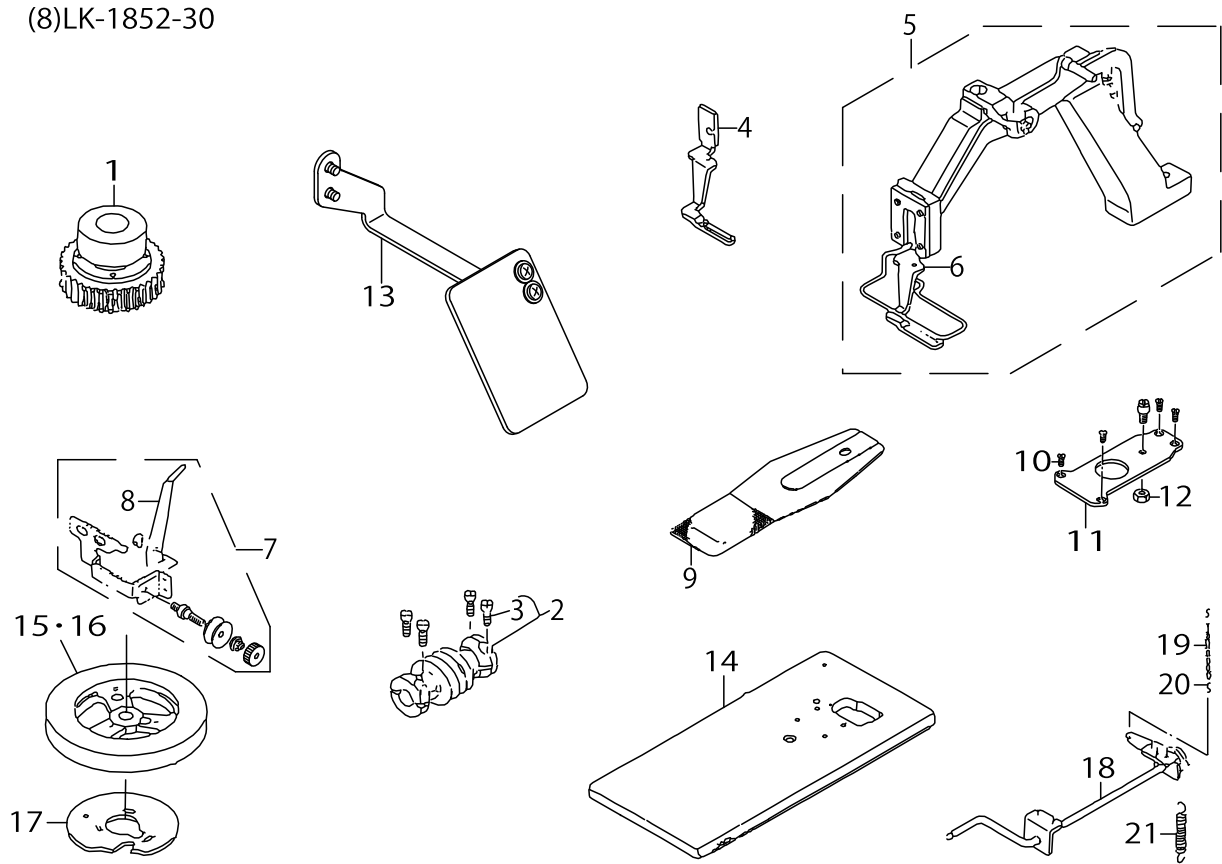


LK-1850 SERIES SUBCLASS

No.	Supply Code	Parts No.	Replacement	Parts name	Remarks	Choice	Step	Level	Cons	Qty	Rep. QTY
44	D	13545157		PEDAL LEVER ASM. (BELT LOOP)				*		1	
45		13545306		FEED CAM						1	
46		13538301		STOP-MOTION REGULATING CAM						1	
47		13543608		FEED PLATE						1	
48		40052815		SAFETY PLATE ASM.						1	
49		13889407		SAFETY PLATE				*		1	
50		SM4040655SP		SCREW M4 L=6				*		2	
51		WP0450801SD		WASHER 4.5X10X0.8				*		2	
52		SS4110715SP		SCREW 11/64-40 L=7				*		2	
53		40052810		SAFETY PLATE INSTALLING BASE				*		1	
54	D	13509401		TABLE (FOR BELT LOOP)						1	
55		13522503		TENSION SPRING						1	



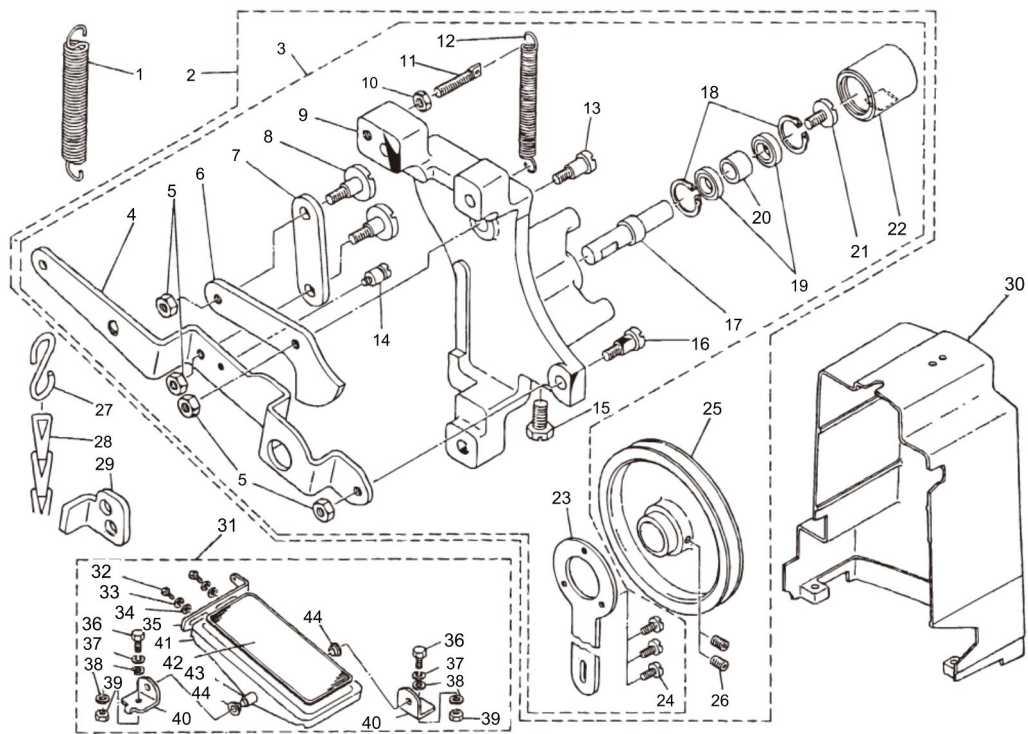
(8)LK-1852-30



LK-1850 SERIES SUBCLASS

No.	Supply Code	Parts No.	Replacement	Parts name	Remarks	Choice	Step	Level	Cons	Qty	Rep. QTY
1		13510953		FEED CAM DRIVING WHEEL ASM.						1	
2		13510862		WORM ASM.						1	
3		SS7111410TP		SCREW 11/64-40L=14				*		4	
4		13545611		CLOTH PRESSER FOOT						1	
5		13551569		CLOTH FEED BASE (ASM.)						1	
6		13545660		WORK CLAMP FOOT ASM.				*		1	
7		40038080		THREAD GUIDE BRACKET ASM.	THE PARTS ARE THE SAME AS THOSE FOR LK-1852-20.					1	
8		40038078		THREAD GUIDE				*		1	
9		13545504		FEED PLATE						1	
10		SS2110930SP		SCREW 11/64-40 L=8.5	THE PARTS ARE THE SAME AS THOSE FOR LK-1852-20.					4	
11		13543509		FEED PLATE HOLDER	THE PARTS ARE THE SAME AS THOSE FOR LK-1852-20.					1	
12		NS6150540SP		NUT 15/64-28	THE PARTS ARE THE SAME AS THOSE FOR LK-1852-20.					1	
13		40052815		SAFETY PLATE ASM.						1	
14	D	13509401		TABLE (FOR BELT LOOP)						1	
15		13554100		FEED CAM						1	
16		13554100		FEED CAM	SPECIAL ORDER PARTS					1	
17		13538301		STOP-MOTION REGULATING CAM						1	
18	D	13544952		PEDAL LEVER ASM.	THE PARTS ARE THE SAME AS THOSE FOR LK-1852-20.					1	
19		40060887		CHAIN	THE PARTS ARE THE SAME AS THOSE FOR LK-1852-20.					1	
20		13160304		S SHAPED HOOK	THE PARTS ARE THE SAME AS THOSE FOR LK-1852-20.					2	
21		13522503		TENSION SPRING						1	

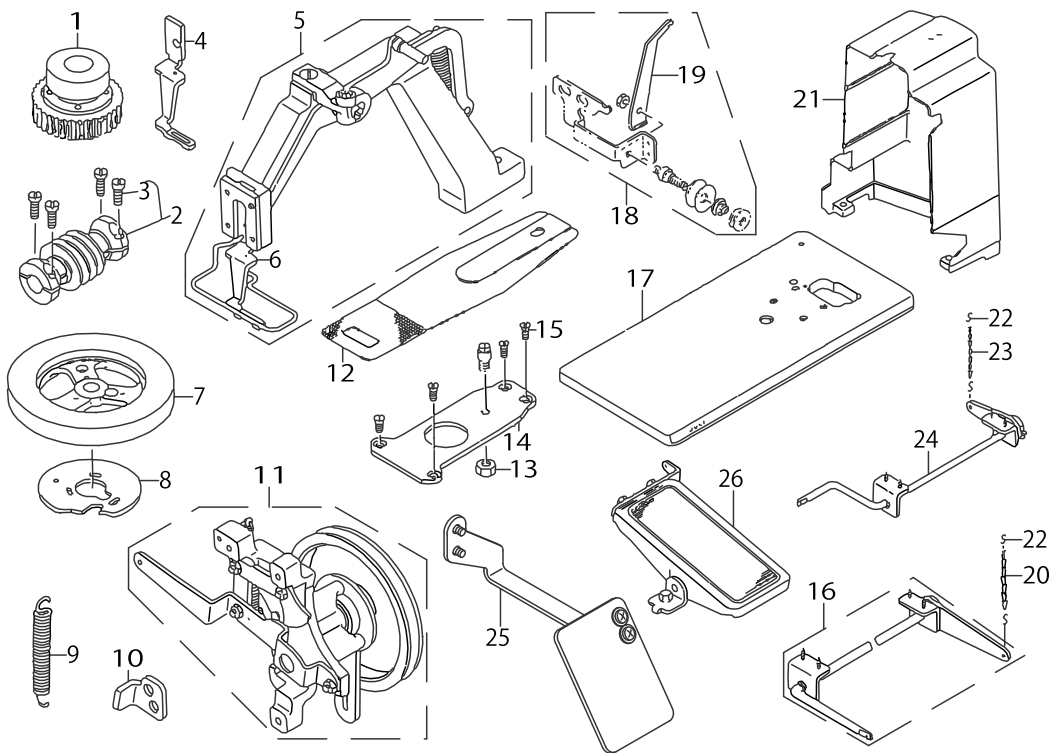
LK-1850 SERIES SUBCLASS



LK-1850 SERIES SUBCLASS

No.	Supply Code	Parts No.	Replacement	Parts name	Remarks	Choice	Step	Level	Cons	Qty	Rep. QTY
1		13547500		STOP-MOTION SPRING						1	
2		13545959		PEDAL TYPE PRESSER ASM.						1	
3	R	13545967	13545959	PEDAL TYPE PRESSER ASM.				*		1	1.00
4	D	13546007		LOWERING LEVER				*		1	
5		NS6110350SP		NUT 11/64-40				*		4	
6		13546106		LOWERING LINK				*		1	
7		13546205		LOWERING CONNECTING PLATE				*		1	
8		SD0640324TP		HINGE SCREW D= 6.35 H= 3.2				*		2	
9	D	13545900		INSTALLING BASE				*		1	
10		NS6110310SP		NUT 11/64-40				*		1	
11	R	B1649161000	26226506	TENSION SPRING A-DJUSTING SCREW				*		1	1.00
12	R	13521307	26227900	TENSION SPRING				*		1	1.00
13		SD0640801TP		HINGE SCREW D= 6.35 H= 8.0				*		1	
14		B2007372000		NIPPER BAR SPRING SCREW				*		1	
15		SS9151210TP		SCREW 15/64-28 L=11.8				*		1	
16		SD0640801TP		HINGE SCREW D= 6.35 H= 8.0				*		1	
17		13546403		PULLEY SHAFT				*		1	
18		RC1831018K0		RETAINING RING				*		2	
19		SB109000200		BALL BEARING				*		2	
20		13547401		PULLEY SHAFT COLLAR				*		1	
21		SS6121030SP		SCREW 3/16-28 L=10				*		1	
22		13546502		PULLEY BUSHING				*		1	
23		13525308		IDLER PULLEY INSTALLING PLATE				*		1	
24		SS6110810TP		SCREW 11/64-40 L=8				*		3	
25		13523204		DRIVING PULLEY				*		1	
26		SS8150822TP		SCREW 15/64-28 L=8				*		2	
27		13160304		S SHAPED HOOK						1	
28		26037903		CHAIN						1	
29	D	13546601		SAFETY PLATE						1	
30		13505904		BELT COVER						1	
31		13817754		Z-STAND PEDAL ASM.	THIS PARTS IS USED FOR A MACHINE WITH TABLE.					1	
32		SM9061203SE		SCREW M6 L=12				*		2	
33		WS0621210KR		SPRING WASHER 6.2X11.4X1.2				*		2	
34		WP0671016SE		WASHER 6.7X13X1				*		2	
35		B8125280000		PEDAL ADJUSTING PLATE				*		1	
36		SM9082023SE		SCREW M8 L=20				*		2	
37		WS0861410KR		SPRING WASHER 8.6X15X1.4				*		2	
38		WP0871602SE		WASHER 8.7X18X1.6				*		4	
39		NM6080721SE		NUT M8				*		2	
40		D8114555B0E		PEDAL SHAFT BRACKET				*		1	
41	D	B8151771000		PEDAL				*		1	
42		B8152771000		PEDAL MAT				*		1	
43		B8153771000		PEDAL CONNECTING ROD				*		1	
44		D8113555B00		PEDAL BUSHING				*		2	

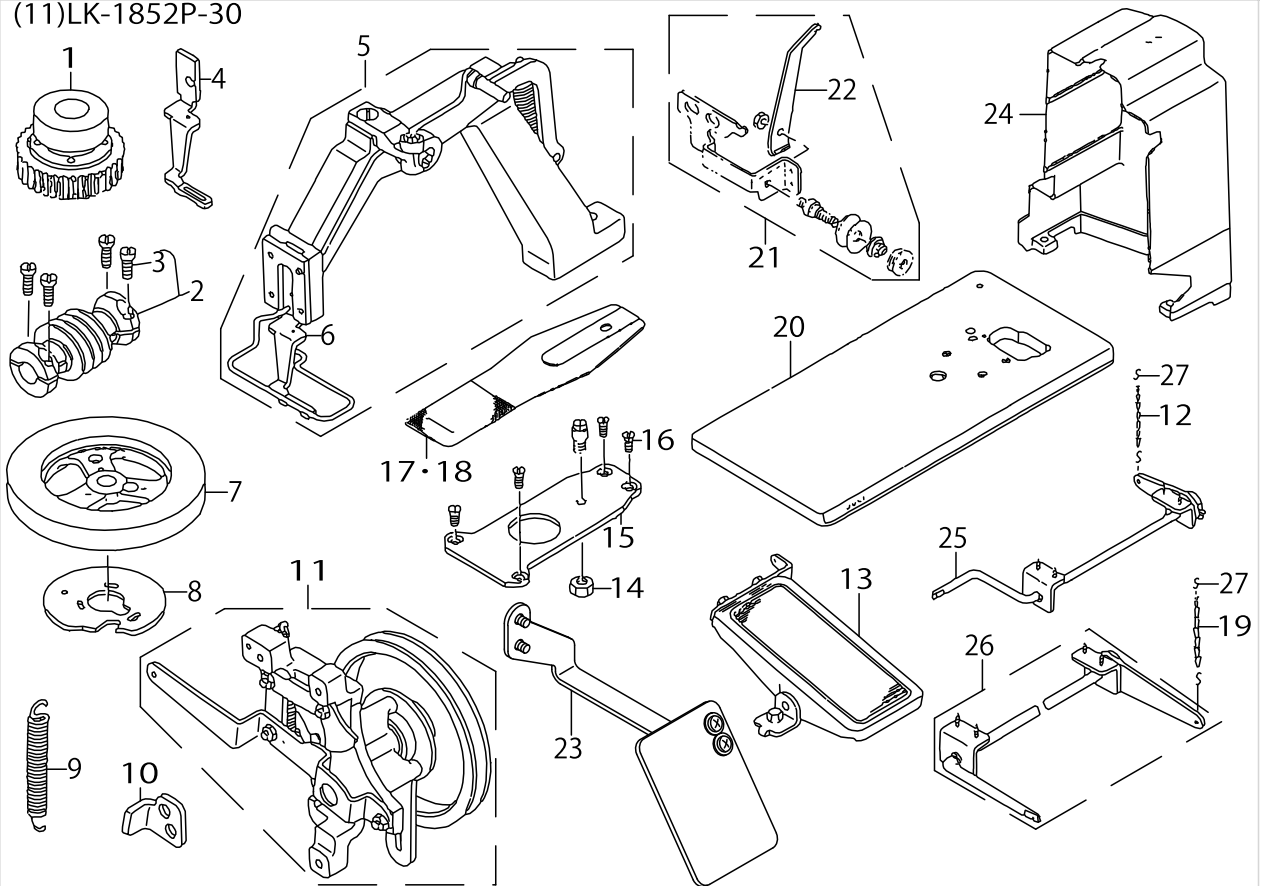
(10) LK-1852P-20



LK-1850 SERIES SUBCLASS

No.	Supply Code	Parts No.	Replacement	Parts name	Remarks	Choice	Step	Level	Cons	Qty	Rep. QTY
1		13510953		FEED CAM DRIVING WHEEL ASM.						1	
2		13510862		WORM ASM.						1	
3		SS7111410TP		SCREW 11/64-40L=14				*		4	
4		13544416		CLOTH PRESSER FOOT						1	
5		13543764		CLOTH FEED BASE ASM.						1	
6		13544465		CLOTH PRESSER FOOT ASM.				*		1	
7		13545306		FEED CAM						1	
8		13538301		STOP-MOTION REGULATING CAM						1	
9		13547500		STOP-MOTION SPRING	THE PARTS ARE THE SAME AS THOSE FOR LK-1850-P.					1	
10	D	13546601		SAFETY PLATE	THE PARTS ARE THE SAME AS THOSE FOR LK-1850-P.					1	
11		13545959		PEDAL TYPE PRESSER ASM.	THE PARTS ARE THE SAME AS THOSE FOR LK-1850-P.					1	
12		13543608		FEED PLATE						1	
13		NS6150540SP		NUT 15/64-28						1	
14		13543509		FEED PLATE HOLDER						1	
15		SS2110930SP		SCREW 11/64-40 L=8.5						4	
16	D	13547658		PEDAL SHAFT ASM.						1	
17	D	13509401		TABLE (FOR BELT LOOP)						1	
18		40038080		THREAD GUIDE BRACKET ASM.						1	
19		40038078		THREAD GUIDE				*		1	
20		D8103984K00		CHAIN						1	
21		13505904		BELT COVER						1	
22		13160304		S SHAPED HOOK						4	
23		40060887		CHAIN						1	
24	D	13544952		PEDAL LEVER ASM.						1	
25		40052815		SAFETY PLATE ASM.						1	
26		13817754		Z-STAND PEDAL ASM.						1	

(11)LK-1852P-30

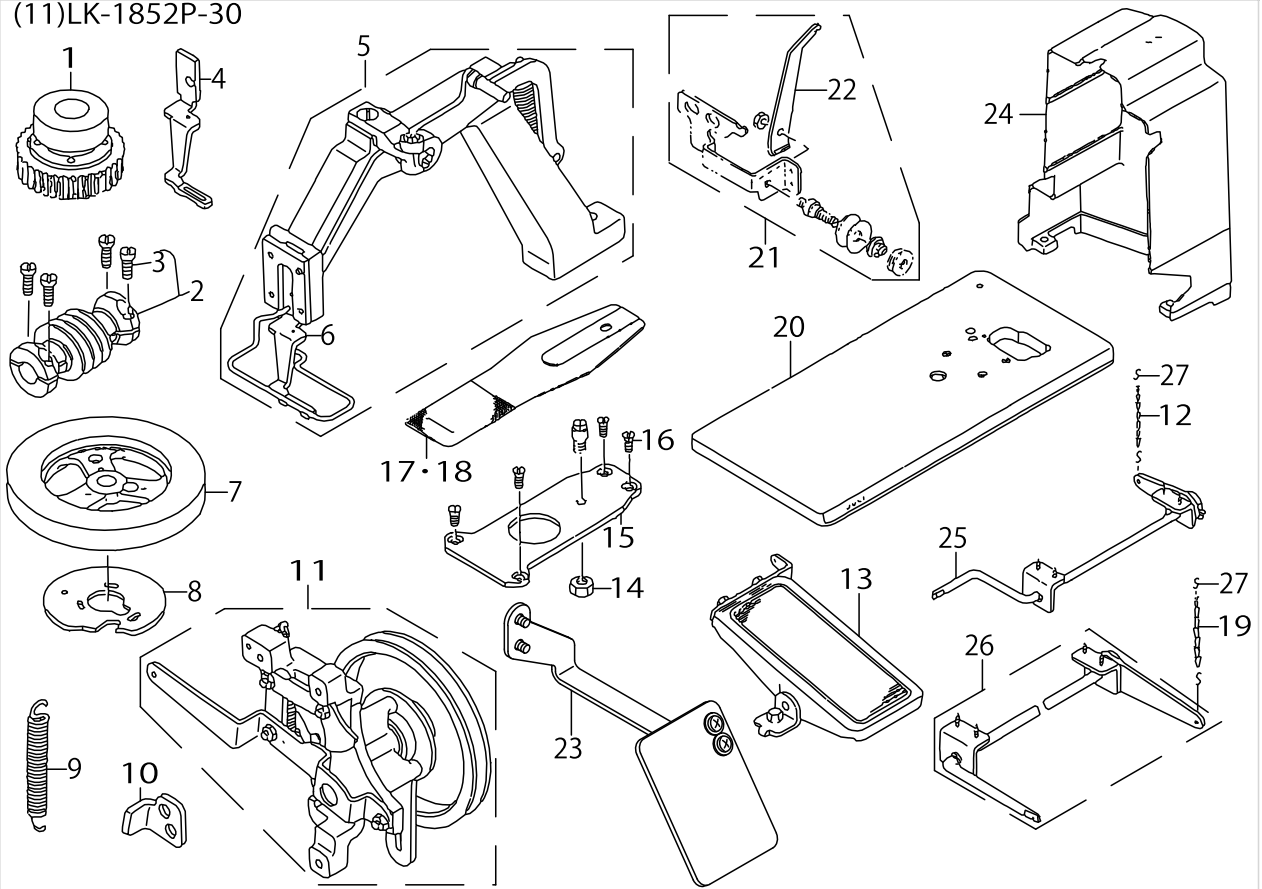


LK-1850 SERIES SUBCLASS

No.	Supply Code	Parts No.	Replacement	Parts name	Remarks	Choice	Step	Level	Cons	Qty	Rep. QTY
1		13510953		FEED CAM DRIVING WHEEL ASM.						1	
2		13510862		WORM ASM.						1	
3		SS7111410TP		SCREW 11/64-40L=14				*		4	
4		13545611		CLOTH PRESSER FOOT						1	
5		13551569		CLOTH FEED BASE (ASM.)						1	
6		13545660		WORK CLAMP FOOT ASM.				*		1	
7		13554100		FEED CAM						1	
8		13538301		STOP-MOTION REGULATING CAM						1	
9		13547500		STOP-MOTION SPRING	THE PARTS ARE THE SAME AS THOSE FOR LK-1850-P.					1	
10	D	13546601		SAFETY PLATE	THE PARTS ARE THE SAME AS THOSE FOR LK-1850-P.					1	
11		13545959		PEDAL TYPE PRESSER ASM.	THE PARTS ARE THE SAME AS THOSE FOR LK-1850-P.					1	
12		40060887		CHAIN	THE PARTS ARE THE SAME AS THOSE FOR LK-1852P-20.					1	
13		13817754		Z-STAND PEDAL ASM.						1	
14		NS6150540SP		NUT 15/64-28	THE PARTS ARE THE SAME AS THOSE FOR LK-1852P-20.					1	
15		13543509		FEED PLATE HOLDER	THE PARTS ARE THE SAME AS THOSE FOR LK-1852P-20.					1	
16		SS2110930SP		SCREW 11/64-40 L=8.5	THE PARTS ARE THE SAME AS THOSE FOR LK-1852P-20.					4	
17		13545504		FEED PLATE						1	
18		13545504		FEED PLATE	FOR HEAVY WEIGHT MATERIAL (-SPECIAL ORDER)					1	
19		D8103984K00		CHAIN	THE PARTS ARE THE SAME AS THOSE FOR LK-1852P-20.					1	
20	D	13509401		TABLE (FOR BELT LOOP)						1	
21		40038080		THREAD GUIDE BRACKET ASM.	THE PARTS ARE THE SAME AS THOSE FOR LK-1852P-20.					1	
22		40038078		THREAD GUIDE				*		1	
23		40052815		SAFETY PLATE ASM.						1	
24		13505904		BELT COVER						1	



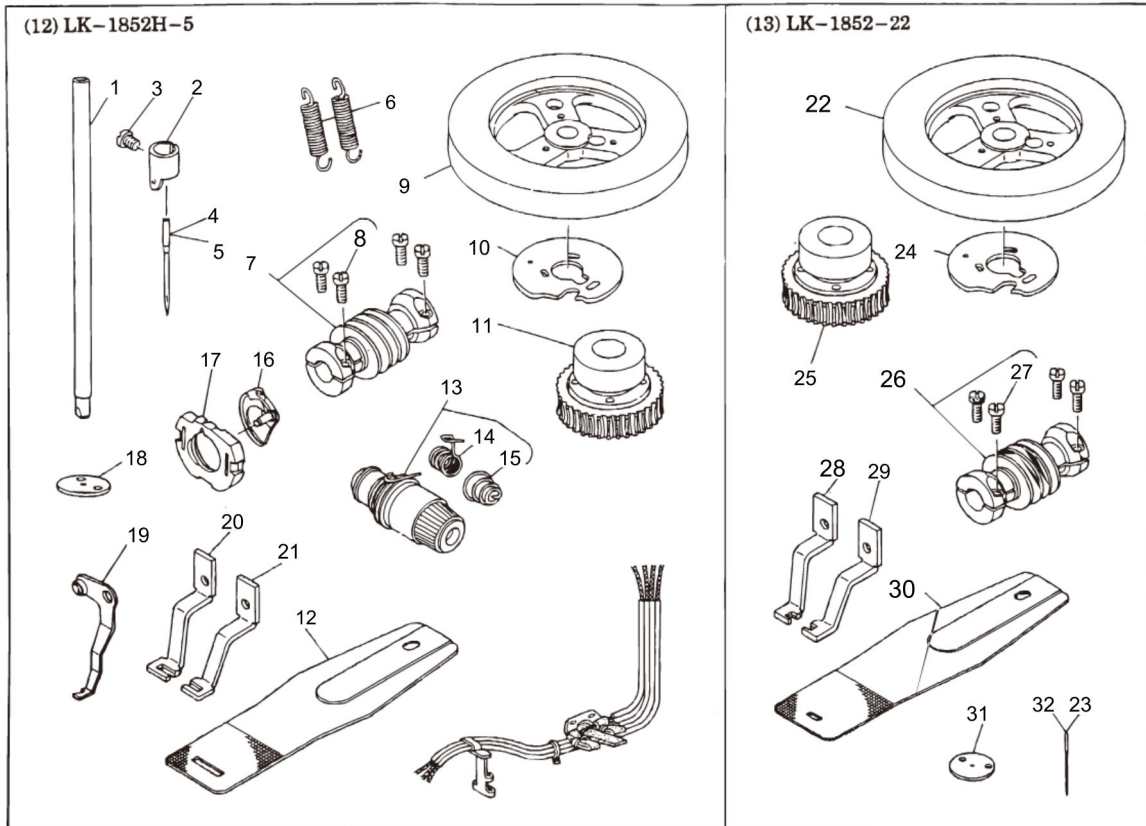
(11)LK-1852P-30



LK-1850 SERIES SUBCLASS

No.	Supply Code	Parts No.	Replacement	Parts name	Remarks	Choice	Step	Level	Cons	Qty	Rep. QTY
25	D	13544952		PEDAL LEVER ASM.	THE PARTS ARE THE SAME AS THOSE FOR LK-1852P-20.					1	
26	D	13547658		PEDAL SHAFT ASM.	THE PARTS ARE THE SAME AS THOSE FOR LK-1852P-20.					1	
27		13160304		S SHAPED HOOK	THE PARTS ARE THE SAME AS THOSE FOR LK-1852P-20.					4	

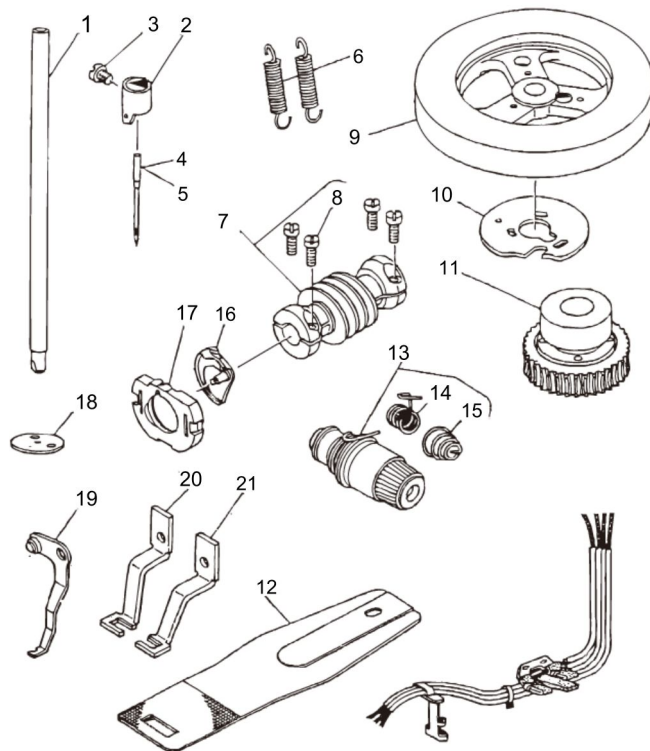
LK-1850 SERIES SUBCLASS



LK-1850 SERIES SUBCLASS

No.	Supply Code	Parts No.	Replacement	Parts name	Remarks	Choice	Step	Level	Cons	Qty	Rep. QTY
1	D	D1401L7VV00		NEEDLE BAR						1	
2		D1405L7AM00		NEEDLE BAR THREAD GUIDE						1	
3		SS7080510TP		SCREW 1/8-44 L=4.5						1	
4		MDI300B2300		NEEDLE DIX3 #23						1	
5	D	MC351501600		NEEDLE	FOR JE					1	
6	R	13519004	14105407	TENSION SPRING						2	1.00
7	R	13510854	13510862	FEED CAM DRIVING WORM ASM.						1	1.00
8		SS7111410TP		SCREW 11/64-40L=14				*		4	
9		13550702		FEED CAM						1	
10		13539705		STOP-MOTION REGULATING CAM						1	
11		13510953		FEED CAM DRIVING WHEEL ASM.						1	
12		13548409		FEED PLATE						1	
13		B23022050A0		TENSION CONTROLLER NO.2 ASM.						1	
14		D3112L4BB00		TAKE-UP SPRING (HEAVY)				*		1	
15		B3129053000		TENSION SPRING				*		1	
16		D1818282N00		SHUTTLE						1	
17		D1817282N00		SHUTTLE RACE RING, THICK NEEDLE						1	
18		B242628000C		NEEDLE PLATE NEEDLE HOLE GUIDE						1	
19		D2101L7AMA0		WIPER ASM.						1	
20		13548508		WORK CLAMP FOOT. RIGHT						1	
21		13548607		WORK CLAMP FOOT. LEFT						1	
22	D	13550504		FEED CAM						1	
23		MC200500750		NEEDLE 134 NM75	FOR JE					1	
24	D	13539002		STOP-MOTION REGULATING CAM						1	
25		13510953		FEED CAM DRIVING WHEEL ASM.						1	
26	R	13510854	13510862	FEED CAM DRIVING WORM ASM.						1	1.00
27		SS7111410TP		SCREW 11/64-40L=14				*		4	
28	R	13542907	13542956	WORK CLAMP FOOT, RIGHT						1	1.00
29	R	13543004	13542956	WORK CLAMP FOOT, LEFT						1	1.00
30		13542808		FEED PLATE						1	
31		D2426282C00		NEEDLE HOLE GUIDE						1	
32		MDP500B1100		NEEDLE DPX5 #11						1	

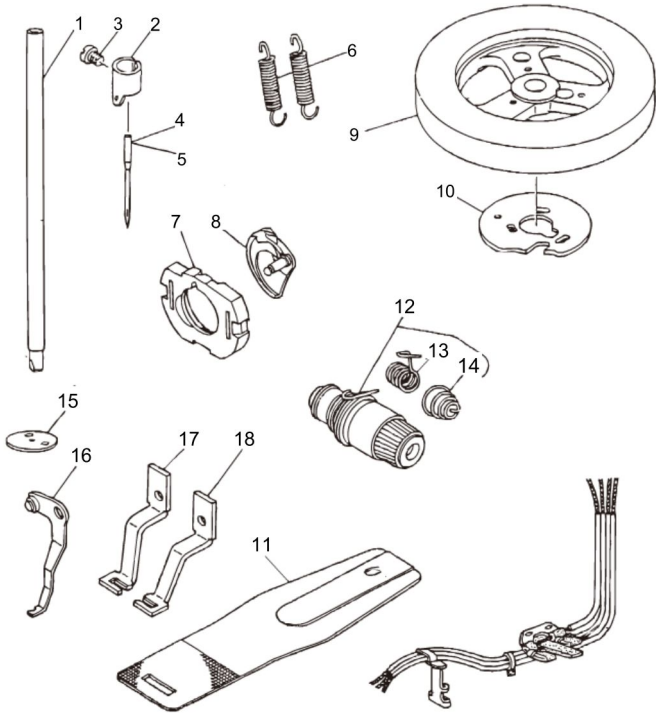
LK-1850 SERIES SUBCLASS



LK-1850 SERIES SUBCLASS

No.	Supply Code	Parts No.	Replacement	Parts name	Remarks	Choice	Step	Level	Cons	Qty	Rep. QTY
1	D	D1401L7VV00		NEEDLE BAR						1	
2		D1405L7AM00		NEEDLE BAR THREAD GUIDE						1	
3		SS7080510TP		SCREW 1/8-44 L=4.5						1	
4		MDI300B2300		NEEDLE DIX3 #23						1	
5	D	MC351501600		NEEDLE	FOR JE					1	
6	R	13519004	14105407	TENSION SPRING						2	1.00
7	R	13510854	13510862	FEED CAM DRIVING WORM ASM.						1	1.00
8		SS7111410TP		SCREW 11/64-40L=14				*		4	
9		13550702		FEED CAM						1	
10		13539705		STOP-MOTION REGULATING CAM						1	
11		13510953		FEED CAM DRIVING WHEEL ASM.						1	
12		13554209		FEED PLATE						1	
13		B23022050A0		TENSION CONTROLLER NO.2 ASM.						1	
14		D3112L4BB00		TAKE-UP SPRING (HEAVY)				*		1	
15		B3129053000		TENSION SPRING				*		1	
16		D1818282N00		SHUTTLE						1	
17		D1817282N00		SHUTTLE RACE RING, THICK NEEDLE						1	
18		D2426MMCK00		NEEDLE HOLE GUIDE						1	
19		D2101L7AMA0		WIPER ASM.						1	
20	R	13554308	13554357	WORK CLAMP FOOT. RIGHT						1	1.00
21	R	13554407	13554357	WORK CLAMP FOOT. LEFT						1	1.00

LK-1850 SERIES SUBCLASS

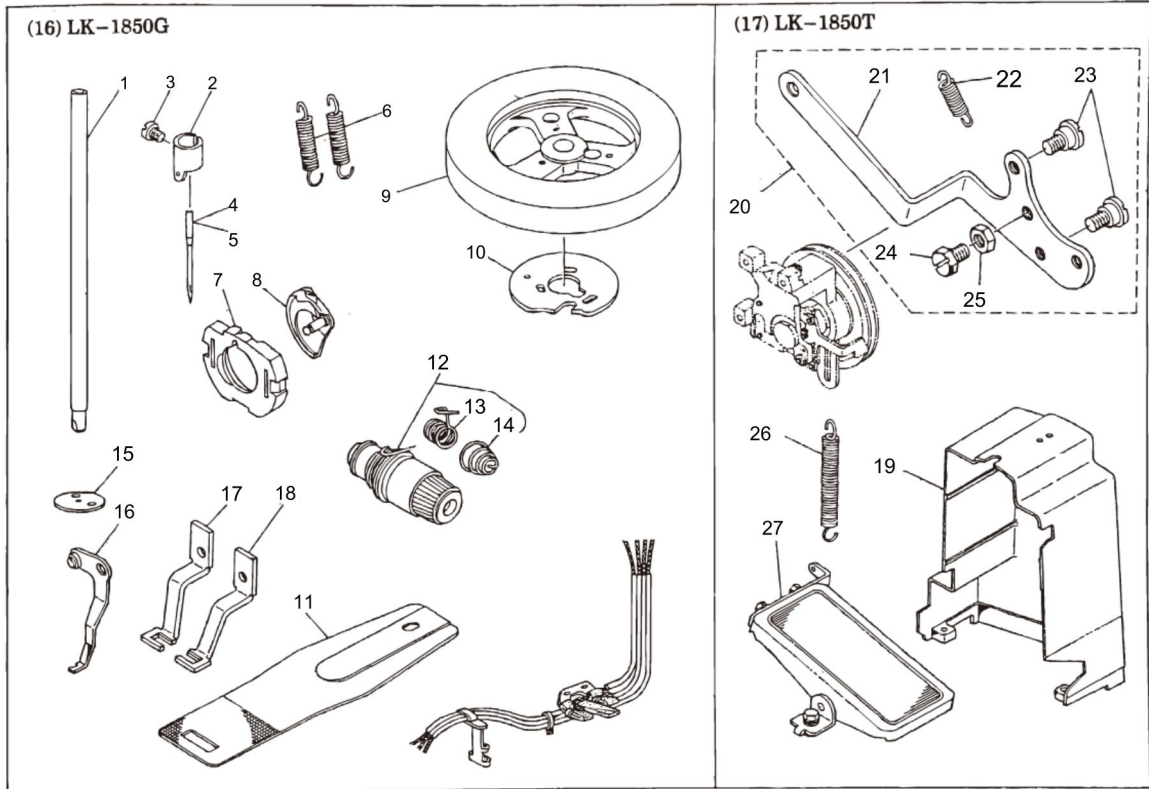


LK-1850 SERIES SUBCLASS

No.	Supply Code	Parts No.	Replacement	Parts name	Remarks	Choice	Step	Level	Cons	Qty	Rep. QTY
1	D	D1401L7VV00		NEEDLE BAR						1	
2		D1405L7AM00		NEEDLE BAR THREAD GUIDE						1	
3		SS7080510TP		SCREW 1/8-44 L=4.5						1	
4		MDI300B2300		NEEDLE DIX3 #23						1	
5	D	MC351501600		NEEDLE	FOR JE					1	
6	R	13519004	14105407	TENSION SPRING						2	1.00
7		D1817282N00		SHUTTLE RACE RING, THICK NEEDLE						1	
8		D1818282N00		SHUTTLE						1	
9		13551403		FEED CAM						1	
10		13539606		STOP-MOTION REGULATING CAM						1	
11		13548409		FEED PLATE						1	
12		B23022050A0		TENSION CONTROLLER NO.2 ASM.						1	
13		D3112L4BB00		TAKE-UP SPRING (HEAVY)				*		1	
14		B3129053000		TENSION SPRING				*		1	
15		B242628000C		NEEDLE PLATE NEEDLE HOLE GUIDE						1	
16		D2101L7AMA0		WIPER ASM.						1	
17		13548508		WORK CLAMP FOOT. RIGHT						1	
18		13548607		WORK CLAMP FOOT. LEFT						1	



LK-1850 SERIES SUBCLASS

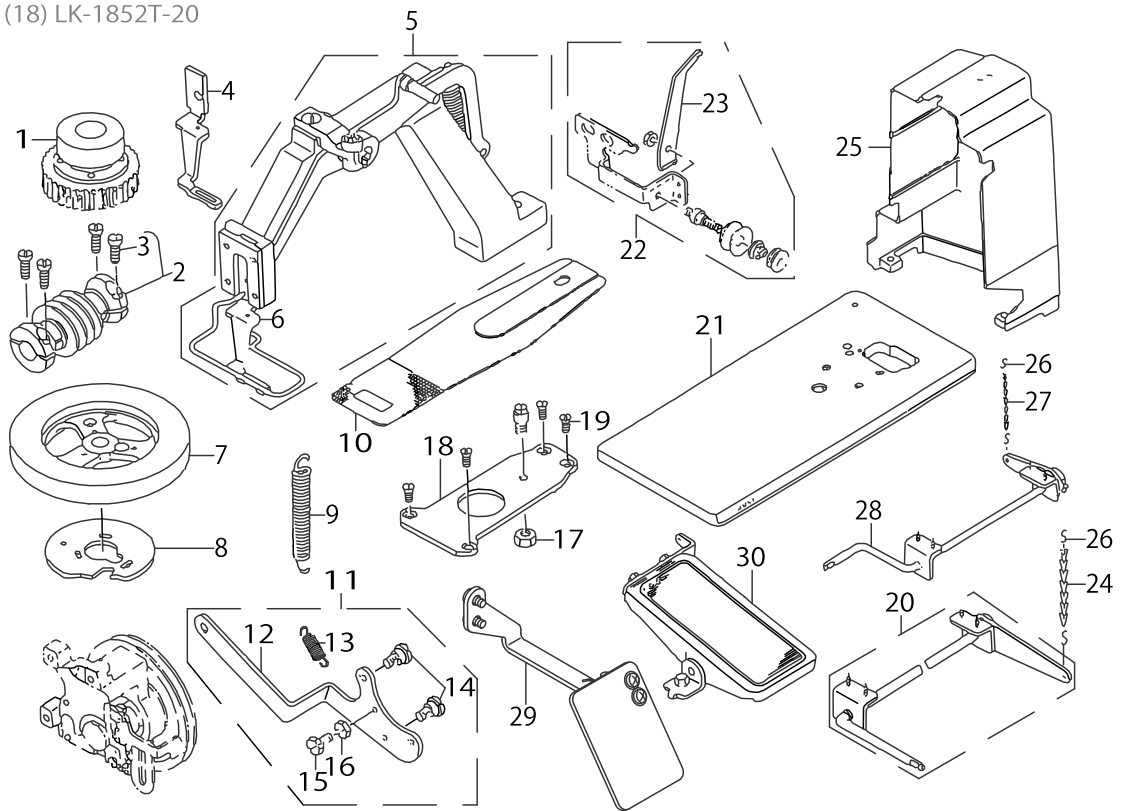


LK-1850 SERIES SUBCLASS

No.	Supply Code	Parts No.	Replacement	Parts name	Remarks	Choice	Step	Level	Cons	Qty	Rep. QTY
1	D	D1401L7VV00		NEEDLE BAR						1	
2		D1405L7AM00		NEEDLE BAR THREAD GUIDE						1	
3		SS7080510TP		SCREW 1/8-44 L=4.5						1	
4		MDI300B2300		NEEDLE DIX3 #23						1	
5	D	MC351501600		NEEDLE	FOR JE					1	
6	R	13519004	14105407	TENSION SPRING						2	1.00
7		D1817282N00		SHUTTLE RACE RING, THICK NEEDLE						1	
8		D1818282N00		SHUTTLE						1	
9		13551403		FEED CAM						1	
10		13539606		STOP-MOTION REGULATING CAM						1	
11		13554209		FEED PLATE						1	
12		B23022050A0		TENSION CONTROLLER NO.2 ASM.						1	
13		D3112L4BB00		TAKE-UP SPRING (HEAVY)				*		1	
14		B3129053000		TENSION SPRING				*		1	
15		D2426MMCK00		NEEDLE HOLE GUIDE						1	
16		D2101L7AMA0		WIPER ASM.						1	
17	R	13554308	13554357	WORK CLAMP FOOT. RIGHT						1	1.00
18	R	13554407	13554357	WORK CLAMP FOOT. LEFT						1	1.00
19		13505904		BELT COVER						1	
20		13526058		LIFTINGLEVERASM.T						1	
21		13526009		LIFTING LEVER. T				*		1	
22		13525803		LEVER SPRING. T				*		1	
23		SD0720331SP		HINGE SCREW D= 7.24 H= 3.3				*		2	
24		SS9150730SP		SCREW 15/64-28 L=7				*		1	
25		NS6150350SP		NUT 15/64-28				*		1	
26		13547500		STOP-MOTION SPRING						1	
27		13817754		Z-STAND PEDAL ASM.						1	

LK-1850 SERIES SUBCLASS

(18) LK-1852T-20

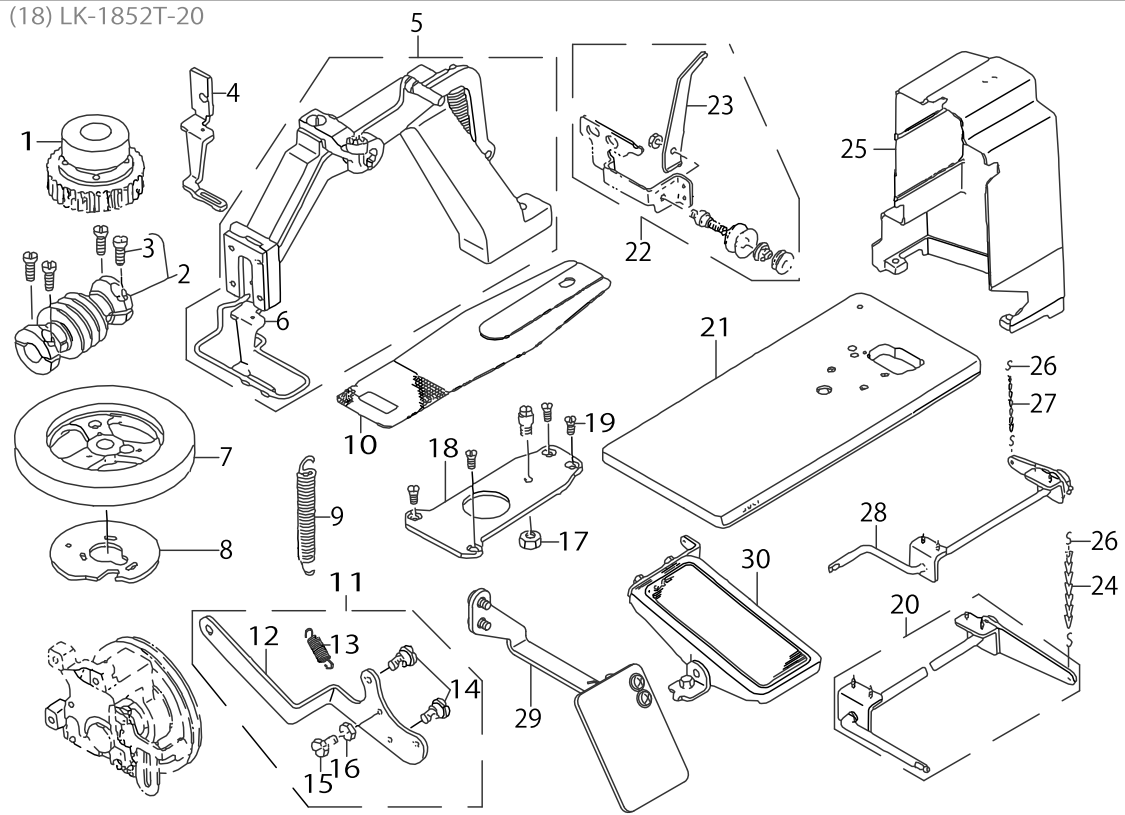


LK-1850 SERIES SUBCLASS

No.	Supply Code	Parts No.	Replacement	Parts name	Remarks	Choice	Step	Level	Cons	Qty	Rep. QTY
1		13510953		FEED CAM DRIVING WHEEL ASM.						1	
2	R	13510854	13510862	FEED CAM DRIVING WORM ASM.						1	1.00
3		SS7111410TP		SCREW 11/64-40L=14				*		4	
4		13544416		CLOTH PRESSER FOOT	THE PARTS ARE THE SAME AS THOSE FOR LK-1852T-20.					1	
5		13543764		CLOTH FEED BASE ASM.	THE PARTS ARE THE SAME AS THOSE FOR LK-1852T-20.					1	
6		13544465		CLOTH PRESSER FOOT ASM.				*		1	
7		13545306		FEED CAM						1	
8		13538301		STOP-MOTION REGULATING CAM						1	
9		13547500		STOP-MOTION SPRING	THE PARTS ARE THE SAME AS THOSE FOR LK-1850-T.					1	
10		13543608		FEED PLATE	THE PARTS ARE THE SAME AS THOSE FOR LK-1852T-20.					1	
11		13526058		LIFTING LEVER ASM. T	THE PARTS ARE THE SAME AS THOSE FOR LK-1850-T.					1	
12		13526009		LIFTING LEVER. T				*		1	
13		13525803		LEVER SPRING. T				*		1	
14		SD0720331SP		HINGE SCREW D= 7.24 H= 3.3				*		2	
15		SS9150730SP		SCREW 15/64-28 L=7				*		1	
16		NS6150350SP		NUT 15/64-28				*		1	
17		NS6150540SP		NUT 15/64-28	THE PARTS ARE THE SAME AS THOSE FOR LK-1852T-20.					1	
18		13543509		FEED PLATE HOLDER	THE PARTS ARE THE SAME AS THOSE FOR LK-1852T-20.					1	
19		SS2110930SP		SCREW 11/64-40 L=8.5	THE PARTS ARE THE SAME AS THOSE FOR LK-1852T-20.					4	
20	D	13547658		PEDAL SHAFT ASM.	THE PARTS ARE THE SAME AS THOSE FOR LK-1852T-20.					1	
21	D	13509401		TABLE (FOR BELT LOOP)						1	
22		40038080		THREAD GUIDE BRACKET ASM.	THE PARTS ARE THE SAME AS THOSE FOR LK-1852T-20.					1	
23		40038078		THREAD GUIDE				*		1	

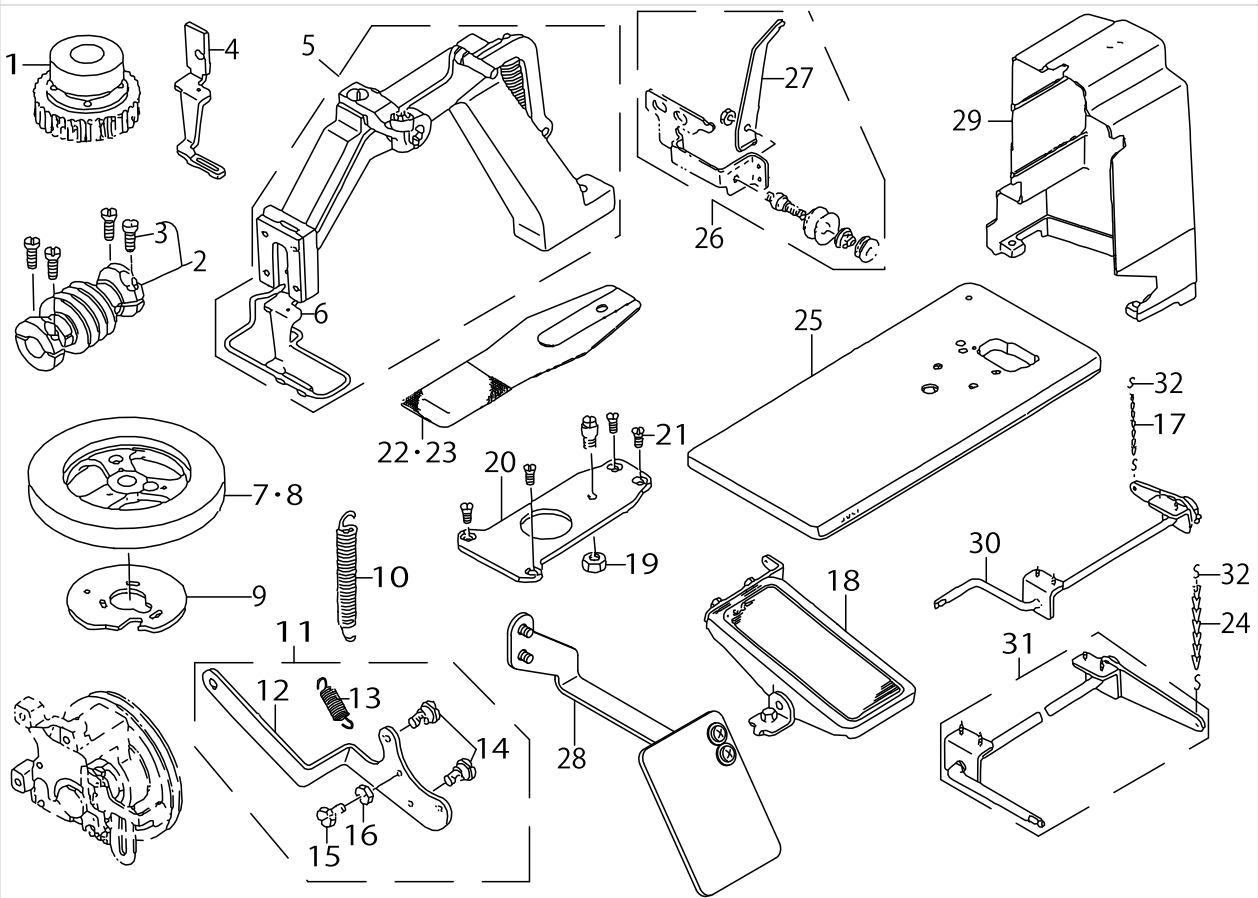
LK-1850 SERIES SUBCLASS

(18) LK-1852T-20



LK-1850 SERIES SUBCLASS

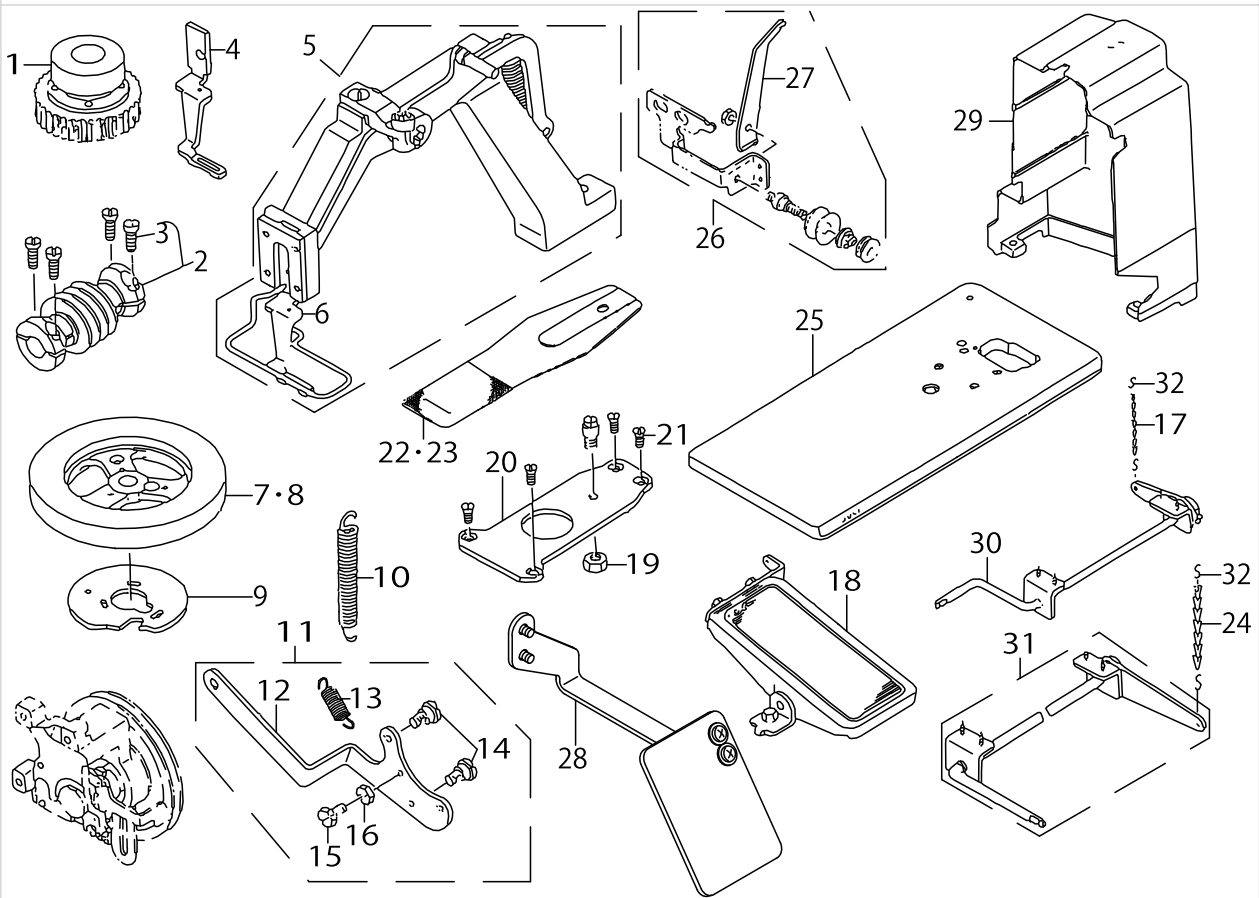
No.	Supply Code	Parts No.	Replacement	Parts name	Remarks	Choice	Step	Level	Cons	Qty	Rep. QTY
24		D8103984K00		CHAIN	THE PARTS ARE THE SAME AS THOSE FOR LK-1852T-20.					1	
25		13505904		BELT COVER						1	
26		13160304		S SHAPED HOOK	THE PARTS ARE THE SAME AS THOSE FOR LK-1852T-20.					8	
27		40060887		CHAIN	THE PARTS ARE THE SAME AS THOSE FOR LK-1852T-20.					1	
28	D	13544952		PEDAL LEVER ASM.	THE PARTS ARE THE SAME AS THOSE FOR LK-1852T-20.					1	
29		40052815		SAFETY PLATE ASM.						1	
30		13817754		Z-STAND PEDAL ASM.						1	



LK-1850 SERIES SUBCLASS

No.	Supply Code	Parts No.	Replacement	Parts name	Remarks	Choice	Step	Level	Cons	Qty	Rep. QTY
1		13510953		FEED CAM DRIVING WHEEL ASM.						1	
2	R	13510854	13510862	FEED CAM DRIVING WORM ASM.						1	1.00
3		SS7111410TP		SCREW 11/64-40L=14				*		4	
4		13545611		CLOTH PRESSER FOOT						1	
5		13551569		CLOTH FEED BASE (ASM.)						1	
6		13545660		WORK CLAMP FOOT ASM.				*		1	
7		13554100		FEED CAM						1	
8		13554100		FEED CAM	SPECIAL ORDER PARTS					1	
9		13538301		STOP-MOTION REGULATING CAM						1	
10		13547500		STOP-MOTION SPRING	THE PARTS ARE THE SAME AS THOSE FOR LK-1850-T.					1	
11		13526058		LIFTING LEVER ASM. T	THE PARTS ARE THE SAME AS THOSE FOR LK-1850-T.					1	
12		13526009		LIFTING LEVER. T				*		1	
13		13525803		LEVER SPRING. T				*		1	
14		SD0720331SP		HINGE SCREW D= 7.24 H= 3.3				*		2	
15		SS9150730SP		SCREW 15/64-28 L=7				*		1	
16		NS6150350SP		NUT 15/64-28				*		1	
17		40060887		CHAIN	THE PARTS ARE THE SAME AS THOSE FOR LK-1852T-20.					1	
18		13817754		Z-STAND PEDAL ASM.						1	
19		NS6150540SP		NUT 15/64-28	THE PARTS ARE THE SAME AS THOSE FOR LK-1852T-20.					1	
20		13543509		FEED PLATE HOLDER	THE PARTS ARE THE SAME AS THOSE FOR LK-1852T-20.					1	
21		SS2110930SP		SCREW 11/64-40 L=8.5	THE PARTS ARE THE SAME AS THOSE FOR LK-1852T-20.					4	
22		13545801		FEED PLATE						1	
23		13545504		FEED PLATE	FOR HEAVY WEIGHT MATERIAL (- SPECIAL ORDER)					1	
24		D8103984K00		CHAIN	THE PARTS ARE THE SAME AS THOSE FOR LK-1852T-20.					1	
25	D	13509401		TABLE (FOR BELT LOOP)						1	
26		40038080		THREAD GUIDE BRACKET ASM.	THE PARTS ARE THE SAME AS THOSE FOR LK-1852T-20.					1	
27		40038078		THREAD GUIDE				*		1	

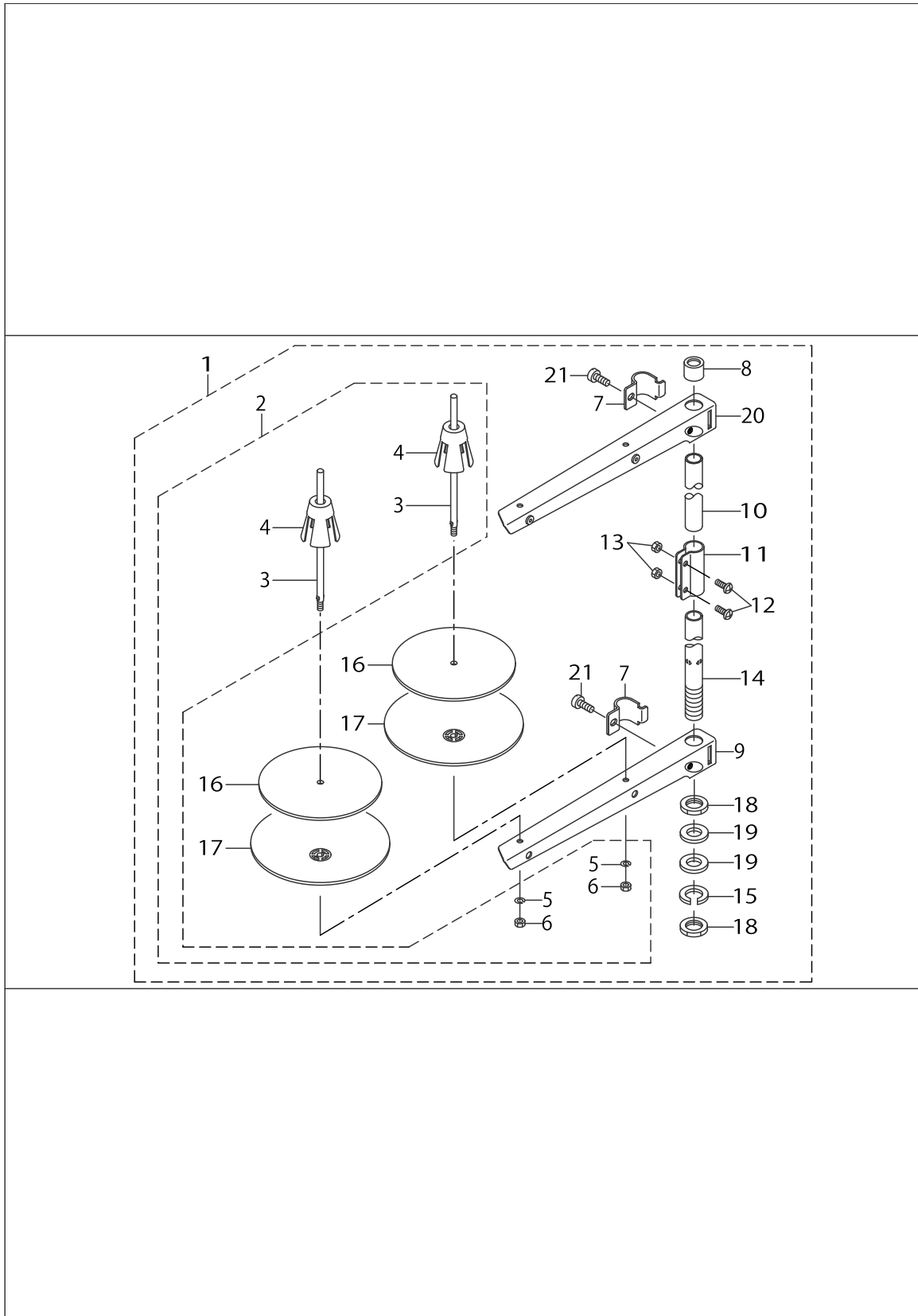




LK-1850 SERIES SUBCLASS

No.	Supply Code	Parts No.	Replacement	Parts name	Remarks	Choice	Step	Level	Cons	Qty	Rep. QTY
28		40052815		SAFETY PLATE ASM.						1	
29		13505904		BELT COVER						1	
30	D	13544952		PEDAL LEVER ASM.	THE PARTS ARE THE SAME AS THOSE FOR LK-1852T-20.					1	
31	D	13547658		PEDAL SHAFT ASM.	THE PARTS ARE THE SAME AS THOSE FOR LK-1852T-20.					1	
32		13160304		S SHAPED HOOK	THE PARTS ARE THE SAME AS THOSE FOR LK-1852T-20.					8	

THREAD STAND COMPONENTS



THREAD STAND COMPONENTS

No.	Supply Code	Parts No.	Replacement	Parts name	Remarks	Choice	Step	Level	Cons	Qty	Rep. QTY
1	R	22930358	40096354	THREAD STAND ASM.						1	1.00
2		40062684		SPOOL PIN ASM.				*		1	
3	R	22931000	40085790	SPOOL PIN				*		2	1.00
4	R	22931109	40085791	SPOOL RETAINER				*		2	1.00
5		WS0510002KN		SPRING WASHER				*		2	
6		NM6050001SE		NUT M5				*		2	
7	R	22930705	40096354	THREAD GUIDE ARM JOINT				*		2	1.00
8		22931406		SPOOL REST ROD RUBBER CAP				*		1	
9	R	22930507	40096354	SPOOL REST ARM				*		1	1.00
10	R	22930408	40096354	SPOOL REST ROD, UPPER				*		1	1.00
11	R	22931307	40096354	SPOOL REST ROD JOINT				*		1	1.00
12		SM4051405SE		SCREW M5 L=14				*		2	
13		NM6050001SE		NUT M5				*		2	
14	R	22930309	40096354	SPOOL REST ROD, LOWER				*		1	1.00
15	R	WS1643202KR	WP1612616SE	SPRING WASHER		A		*		1	2.00
15	R	WS1643202KR	40085796	SPRING WASHER		A		*		1	2.00
16		22930903		SPOOL REST CUSHION				*		2	
17		22930804		SPOOL REST				*		2	
18		NM6160511SE		NUT M16X1.5				*		2	
19		WP1612616SE		WASHER 16X30X2.6				*		2	
20	R	22930556	40096354	THREAD STANDING ARM ASM.				*		1	1.00
21		SM6061610SC		SCREW M6 L=16				*		2	

LIST FOR INFORMATION OF CHANGE

As to the place changed, refer to the corresponding Rev.No.  
 When previous parts (Obsolated part) and new parts (Added parts) are not interchangeable with each other:  
 In this case, even obsolated parts (D.) can be ordered with the obsolated part number, so select the parts with changed dates and place your orders.

変更箇所は、該当Rev.No.版をご参照ください。  
 部品の互換性がない変更の場合は、削除された品番でも、ご注文できます。

BE185030PJA  
 No.0200-20} · · Rev.No.

\*A: Added parts追加部品/D: Obsolated parts削除部品/E: Erratum訂正

* Rev. No.	Page No.	Ref. No.	Parts No. 品番	* Rev. No.	Page No.	Ref. No.	Parts No. 品番
D 19	22	53	135-31405	A 20	22	53	262-39103
D 19	22	54	135-31504	A 20	22	54	262-37503
				A 20	39	2	400-62684
D 19	39	15	229-31208				
				A 20	39	15	WS-1643202-KR
D 19	39	19	WP-1702600-S0	A 20	39	19	WP-1612616-SE
				A 20	39	20	229-30556

## HOW TO MAKE USE OF THIS PARTS LIST

### 1.Explanation of codes

1)"\*"mark.....means this part is changed from the previous parts book.

As to the details of the change, refer to the "List for information of change".

2)"#01".....refer to "Note" explanation at bottom of page.

### 2.Codes on the "Qty" column

• Each numeral indicates the number of parts required.

• "0.1" and "2.5" indicate the length (in meters) of the respective parts.

3.Parentheses mean that the corresponding part is a subpart that constructs an assembly part.

4.Dotted lines on the Figures indicate assembly parts.

### 1."注記"欄の記号説明

1) "\*"印.....前回のパーツブックに比較して今回変更された部品を意味します。

変更内容は、"変更情報リスト"を参照してください。

2) "#01".....ページ下の"注記"の説明を参照してください。

2.数量欄の数字は、個数を表し、0.1、2.5等の数値は、長さ（単位メートル）を表します。

3.数量欄の（ ）は、組部品を構成している子部品であることを意味します。

4.イラストページの-----枠は、組構成であることを意味します。

# NUMERICAL INDEX OF PARTS

PART NO	PAGE	REF NO.	PART NO	PAGE	REF NO.	PART NO	PAGE	REF NO.
11155108	40	3	13505904	76	25	13510953	78	1
11155207	40	2	13505904	80	29	13513114	14	27
11157559	40	6	13506217	14	25	13514401	26	33
11157658	40	7	13506415	14	43	13515408	26	11
11157757	40	8	13506704	14	40	13515556	12	52
11157955	40	9	13506852	14	35	13515564	12	57
11158052	40	10	13507058	26	20	13516109	22	46
11158300	40	11	13507157	26	23	13516307	22	35
11158409	40	12	13508056	40	5	13516703	22	41
11158508	40	19	13508155	18	21	13517008	24	58
11158607	40	13	13508403	18	18	13517107	24	57
11159001	40	24	13508700	18	40	13517529	22	29
13160304	52	36	13509153	18	20	13517701	22	26
13160304	56	20	13509401	54	54	13517800	22	15
13160304	58	27	13509401	56	14	13518352	22	4
13160304	60	22	13509401	60	17	13518402	22	5
13160304	64	27	13509401	62	20	13518501	22	14
13160304	76	26	13509401	74	21	13518600	22	22
13160304	80	32	13509401	78	25	13518709	22	23
13500319	4	51	13509807	16	51	13518907	22	8
13501309	36	42	13510201	20	44	13519004	50	2
13501408	36	22	13510367	6	10	13519004	66	6
13501705	36	18	13510458	20	43	13519004	68	6
13502307	4	65	13510607	20	52	13519004	70	6
13503453	6	18	13510854	66	26	13519004	72	6
13503503	6	25	13510854	68	7	13520119	32	33
13503552	6	24	13510854	74	2	13520309	32	23
13503602	6	28	13510854	78	2	13520408	32	40
13503750	6	29	13510862	44	1	13520705	32	32
13503909	6	33	13510862	48	20	13520804	32	41
13504105	6	39	13510862	50	14	13521125	34	56
13504204	6	34	13510862	52	30	13521307	58	12
13504303	6	37	13510862	56	2	13521406	34	53
13504402	6	43	13510862	60	2	13521505	32	9
13504451	6	41	13510862	62	2	13521760	32	14
13504501	6	44	13510953	44	3	13522008	32	1
13504600	8	46	13510953	48	22	13522503	54	55
13504709	8	48	13510953	50	16	13522503	56	21
13504907	6	36	13510953	52	21	13523121	28	21
13505102	8	56	13510953	56	1	13523188	28	1
13505805	2	13	13510953	60	1	13523204	58	25
13505904	58	30	13510953	62	1	13523212	28	42
13505904	60	21	13510953	66	25	13523352	28	19
13505904	62	24	13510953	68	11	13523428	28	34
13505904	72	19	13510953	74	1	13523519	28	36

# NUMERICAL INDEX OF PARTS

PART NO	PAGE	REF NO.	PART NO	PAGE	REF NO.	PART NO	PAGE	REF NO.
13523600	28	37	13538301	74	8	13543608	60	12
13523808	28	27	13538301	78	9	13543608	74	10
13523915	28	31	13539002	66	24	13543715	52	6
13524004	28	30	13539606	70	10	13543764	52	2
13524129	28	29	13539606	72	10	13543764	60	5
13524277	28	26	13539705	66	10	13543764	74	5
13524368	28	22	13539705	68	10	13543806	52	10
13524418	28	23	13540109	46	64	13543905	52	15
13524608	28	2	13540208	46	62	13544051	52	19
13524707	28	4	13540307	46	61	13544416	52	1
13524806	28	8	13540406	46	60	13544416	60	4
13524905	28	10	13540505	46	58	13544416	74	4
13525001	28	9	13540604	46	55	13544465	52	3
13525100	28	3	13540703	46	48	13544465	60	6
13525308	28	38	13540752	44	6	13544465	74	6
13525308	58	23	13540802	44	41	13544614	52	5
13525407	28	40	13540901	44	42	13544705	52	17
13525605	28	14	13541057	44	30	13544903	52	38
13525704	28	17	13541107	44	29	13544952	52	37
13525803	72	22	13541206	44	7	13544952	56	18
13525803	74	13	13541313	46	51	13544952	60	24
13525803	78	13	13541404	44	9	13544952	64	25
13526009	72	21	13541503	44	37	13544952	76	28
13526009	74	12	13541750	44	4	13544952	80	30
13526009	78	12	13541800	46	66	13545009	52	41
13526058	72	20	13541800	48	6	13545157	54	44
13526058	74	11	13542303	48	5	13545306	54	45
13526058	78	11	13542402	48	3	13545306	60	7
13528708	36	25	13542501	48	4	13545306	74	7
13529102	36	28	13542709	48	17	13545504	56	9
13529201	36	27	13542808	66	30	13545504	62	17·18
13529904	36	23	13542816	48	13	13545504	78	22·23
13531108	42	50~56	13542907	66	28	13545611	56	4
13531306	42	50~56	13542915	48	11	13545611	62	4
13531603	42	50~56	13543004	66	29	13545611	78	4
13532254	30	47	13543012	48	12	13545660	56	6
13532262	30	55	13543202	48	23	13545660	62	6
13534060	26	18	13543202	50	3	13545660	78	6
13538301	46	67	13543509	52	34	13545801	78	22·23
13538301	48	24	13543509	56	11	13545900	58	9
13538301	50	18	13543509	60	14	13545959	58	2
13538301	54	46	13543509	62	15	13545959	60	11
13538301	56	17	13543509	74	18	13545959	62	11
13538301	60	8	13543509	78	20	13545967	58	3
13538301	62	8	13543608	54	47	13546007	58	4



# NUMERICAL INDEX OF PARTS

PART NO	PAGE	REF NO.	PART NO	PAGE	REF NO.	PART NO	PAGE	REF NO.
13546106	58	6	13574009	16	54	26202309	10	39
13546205	58	7	13706601	2	22	26202408	10	33
13546403	58	17	13816509	2	9	26202507	12	44
13546502	58	22	13816855	18	37	26202705	10	32
13546601	58	29	13817507	40	1	26202804	42	50~56
13546601	60	10	13817754	40	21	26202903	32	42
13546601	62	10	13817754	58	31	26203208	10	10
13547401	58	20	13817754	60	26	26203406	10	25
13547500	58	1	13817754	62	13	26203406	52	23
13547500	60	9	13817754	72	27	26203455	10	23
13547500	62	9	13817754	76	30	26203901	18	30
13547500	72	26	13817754	78	18	26204008	22	17
13547500	74	9	13889407	54	49	26204107	22	6
13547500	78	10	17007402	40	14	26204453	16	48
13547658	60	16	22930309	82	14	26204602	14	22
13547658	64	26	22930358	82	1	26204701	32	46
13547658	74	20	22930408	82	10	26204909	18	4
13547658	80	31	22930507	82	9	26210005	4	47
13547807	46	68	22930556	82	20	26210104	2	46
13548409	66	12	22930705	82	7	26210203	2	39
13548409	70	11	22930804	82	17	26210302	2	41
13548508	66	20	22930903	82	16	26210450	2	42
13548508	70	17	22931000	82	3	26210500	2	40
13548607	66	21	22931109	82	4	26210708	2	31
13548607	70	18	22931307	82	11	26211201	2	38
13550108	24	48	22931406	82	8	26211300	2	7
13550504	66	22	22945802	52	27	26211409	4	58
13550702	66	9	26017400	26	4	26211607	2	16
13550702	68	9	26017400	28	11	26211755	2	2
13551403	70	9	26037200	4	53	26211805	2	24
13551403	72	9	26037903	58	28	26211904	2	26
13551569	56	5	26200006	10	13	26212001	2	29
13551569	62	5	26201103	10	38	26212100	4	63
13551569	78	5	26201152	10	30	26212209	2	21
13553706	42	50~56	26201202	10	42	26212308	2	8
13554100	56	15·16	26201301	12	47	26212605	6	8
13554100	62	7	26201400	10	37	26212704	6	7
13554100	78	7·8	26201509	12	49	26212803	6	9
13554209	68	12	26201608	10	40	26213306	6	32
13554209	72	11	26201707	10	43	26213801	8	49
13554308	68	20	26201806	12	45	26213900	8	52
13554308	72	17	26201905	12	48	26214007	8	55
13554407	68	21	26202002	10	36	26214403	6	16
13554407	72	18	26202101	10	35	26215301	10	16
13564901	50	17	26202200	10	41	26216507	10	29

# NUMERICAL INDEX OF PARTS

PART NO	PAGE	REF NO.	PART NO	PAGE	REF NO.	PART NO	PAGE	REF NO.
26216507	52	29	26225300	26	31	26237503	42	50~56
26216606	10	28	26225409	26	32	26239103	42	50~56
26216606	52	28	26225508	26	42	26239806	22	45
26216705	10	26	26225607	26	35	26501304	14	31
26216705	52	26	26225706	26	19	40009458	42	64
26216903	14	29	26225805	26	5	40023026	2	10
26217109	14	21	26225904	26	9	40023027	2	15
26217208	14	37	26226001	26	8	40028681	18	5
26217406	26	21	26226100	26	6	40038078	52	25
26217505	26	25	26226209	26	37	40038078	56	8
26217604	26	26	26226407	26	1	40038078	60	19
26217703	2	33	26226506	26	38	40038078	62	22
26217802	14	46	26226704	26	16	40038078	74	23
26217901	16	52	26227207	32	39	40038078	78	27
26218008	16	47	26227306	32	37	40038080	52	22
26218404	14	32	26227603	34	60	40038080	56	7
26218602	14	18	26227702	34	59	40038080	60	18
26218651	14	15	26227900	32	45	40038080	62	21
26218859	14	3	26228205	32	13	40038080	74	22
26220400	14	16	26228304	32	15	40038080	78	26
26220707	14	41	26228502	32	6	40051987	4	57
26221101	20	45	26228601	32	5	40052806	4	52
26221200	18	38	26228700	32	43	40052810	54	53
26221358	20	49	26228809	34	48	40052815	54	48
26221507	20	50	26228908	32	22	40052815	56	13
26221804	18	28	26229005	32	19	40052815	60	25
26222109	18	11	26229104	32	18	40052815	62	23
26222208	18	14	26229302	34	51	40052815	76	29
26222307	18	33	26229401	36	29	40052815	80	28
26222406	18	32	26229609	36	37	40060887	52	35
26222505	18	34	26230003	36	39	40060887	56	19
26222703	22	30	26230102	36	16	40060887	60	23
26222901	22	38	26230409	36	20	40060887	62	12
26223008	22	39	26230706	36	4	40060887	76	27
26223305	24	54	26230904	36	24	40060887	78	17
26223404	24	50	26231100	36	44	40062684	82	2
26223503	22	36	26231209	36	7	B1127280000	36	43
26223602	22	28	26231407	36	12	B1202280000	6	6
26223701	22	7	26231605	36	26	B1203280000	10	6
26224105	22	21	26231902	36	41	B120898000B	6	15
26224204	22	19	26233106	18	3	B1210980000	6	17
26224600	22	44	26234302	40	38	B1211980000	6	14
26224808	22	11	26235200	30	49	B1215980000	6	26
26225102	26	17	26235408	30	54	B1217280000	6	27
26225201	26	13	26236703	42	66	B1223771000	6	1

NUMERICAL INDEX OF PARTS

PART NO	PAGE	REF NO.	PART NO	PAGE	REF NO.	PART NO	PAGE	REF NO.
B1229232000	16	53	B242628000C	70	15	CM300200001	2	1
B1253980000	8	54	B2539280000	52	7	CM301200001	2	12
B1403280000	10	14	B2548280000	52	13	CM600100101	2	6
B1404280000	10	4	B2549280000	22	10	CQ252200000	36	6
B14115520A0	10	11	B2549280000	52	12	CS079101ASH	18	26
B1411804B00	18	8	B255728000C	22	3	CS080081CSH	18	16
B1411804C00	10	5	B2605372000	32	21	CS087101BSH	52	8
B1414232000	10	21	B2608280000	32	17	CS150111BTH	6	12
B1414232000	24	55	B2615280000	26	27	CS180121ASH	20	46
B1649161000	58	11	B3107804000	14	11	D1401L7VV00	66	1
B1805980000	18	24	B3112761000	14	8	D1401L7VV00	68	1
B1808980000	18	19	B3114232000	14	12	D1401L7VV00	70	1
B1813980000	18	7	B3114771000	2	19	D1401L7VV00	72	1
B1814980000	18	10	B3117352000	44	26	D1405L7AM00	66	2
B18172800A0	18	1	B3119771000	14	14	D1405L7AM00	68	2
B18289800A0	18	2-36	B3120125000	14	13	D1405L7AM00	70	2
B18289800AB	18	2-36	B3125012000	14	19	D1405L7AM00	72	2
B19012800A0	10	8	B3126012000	14	17	D1817282N00	50	9
B19012800B0	10	1	B3129053000	50	13	D1817282N00	66	17
B1903552000	10	3	B3129053000	66	15	D1817282N00	68	17
B1904280000	10	2	B3129053000	68	15	D1817282N00	70	7
B1905541B00	10	7	B3129053000	70	14	D1817282N00	72	7
B2007372000	58	14	B3129053000	72	14	D1818282N00	50	8
B2008372000	2	44	B3132552000	14	10	D1818282N00	66	16
B2109280000	16	50	B3214047000	10	27	D1818282N00	68	16
B23022050A0	50	11	B3413552000	52	18	D1818282N00	70	8
B23022050A0	66	13	B3502280000	36	35	D1818282N00	72	8
B23022050A0	68	13	B3504280000	36	36	D2101L7AMA0	66	19
B23022050A0	70	12	B3507280000	36	9	D2101L7AMA0	68	19
B23022050A0	72	12	B3509280000	36	10	D2101L7AMA0	70	16
B2302280000	14	7	B3515280000	36	30	D2101L7AMA0	72	16
B23022800A0	14	4	B3518280000	36	11	D2426282C00	48	14
B2303280000	14	1	B3541012000	36	38	D2426282C00	66	31
B2313280000	14	6	B71307610A0	40	42	D2426MMCK00	68	18
B2410980000	26	2	B7272781000	42	65	D2426MMCK00	72	15
B24142800A0	12	63	B81085550A0	40	17	D2502232D00	44	20
B24152800A0	12	62	B8125280000	58	35	D2504282AB0A	44	19
B2416280000	12	61	B8131019000	42	58	D2507232D00	44	44
B2418280000	12	60	B8133019000	40	36	D2509232D00	44	16
B24212800A0	12	53	B8151771000	58	41	D2511232D00	44	18
B242328000C	12	67	B8152771000	58	42	D2512232D00	44	17
B2424280000	12	58	B8153771000	40	25	D2513232DA0	44	14
B2426280000	12	55	B8153771000	58	43	D2515232D00	44	27
B242628000C	50	10	BP300000100	36	14	D2516232DA0	44	23
B242628000C	66	18	BP600000000	36	3	D2519232D00	44	35

# NUMERICAL INDEX OF PARTS

PART NO	PAGE	REF NO.	PART NO	PAGE	REF NO.	PART NO	PAGE	REF NO.
D2520232DA0	44	31	MTJVM005000	42	59~63	NS6700320SP	22	37
D2521232DA0	44	33	NM6050001SE	82	13	PD02010000B	46	56
D2527232D00	44	25	NM6060001SE	40	43	PS0250162KH	18	35
D2528232D00	44	24	NM6080721SE	40	33	PS0300162KH	28	20
D2529232D00	44	12	NM6080721SE	58	39	PS0800202KH	2	32
D2545232D0A	44	13	NM6120003SE	40	18	RC0470611KP	16	49
D2548232D00	44	43	NM6160511SE	82	18	RC0470611KP	32	4
D3112L4BB00	50	12	NS6090310SP	2	20	RC0740811KP	14	38
D3112L4BB00	66	14	NS6090310SP	46	70	RC0740816K0	26	34
D3112L4BB00	68	14	NS6110310SP	10	24	RC1021011KP	26	10
D3112L4BB00	70	13	NS6110310SP	42	68	RC1831018K0	58	18
D3112L4BB00	72	13	NS6110310SP	52	24	RC1850001KP	28	32
D8103984K00	60	20	NS6110310SP	58	10	RC3221517KP	6	38
D8103984K00	62	19	NS6110350SP	58	5	RC6622018KP	6	40
D8103984K00	76	24	NS6110420SP	26	39	RE0400000K0	34	61
D8103984K00	78	24	NS6110420SP	34	50	RE0600000K0	2	35
D8113555B00	40	26	NS6110530SP	44	15	RE0700000K0	22	2
D8113555B00	58	44	NS6120310SP	26	12	RE0700000K0	44	21
D8114555B0E	58	40	NS6120480SP	44	36	RE0900000K0	52	40
D8204555D00	40	4	NS6150310SP	14	34	RO044240100	4	50
EA9500B0100	36	15	NS6150310SP	26	24	SB109000200	58	19
GPF060600A0	40	22	NS6150310SP	30	52	SB120000300	28	33
GPF06080000	40	23	NS6150310SP	32	54	SB135000200	6	35
MAT80116S00	28	13	NS6150310SP	34	54	SB312000100	28	35
MC200500750	48	16	NS6150310SP	40	41	SD0500091TP	12	54
MC200500750	66	23	NS6150310SP	46	45	SD0530221SP	14	45
MC200501000	10	19	NS6150350SP	72	25	SD0530221SP	22	40
MC351501600	66	5	NS6150350SP	74	16	SD0550271TP	44	34
MC351501600	68	5	NS6150350SP	78	16	SD0600321SP	28	24
MC351501600	70	5	NS6150430SP	32	25	SD0640211SP	16	56
MC351501600	72	5	NS6150540SP	2	28	SD0640241SP	46	65
MDI300B2300	66	4	NS6150540SP	22	33	SD0640321SP	28	7
MDI300B2300	68	4	NS6150540SP	52	32	SD0640321SP	46	63
MDI300B2300	70	4	NS6150540SP	56	12	SD0640324TP	58	8
MDI300B2300	72	4	NS6150540SP	60	13	SD0640391TP	14	42
MDP500B1100	48	15	NS6150540SP	62	14	SD0640471SP	2	4
MDP500B1100	66	32	NS6150540SP	74	17	SD0640801TP	34	47
MDP500B1400	10	17	NS6150540SP	78	19	SD0640801TP	58	16
MDP500B1600	10	18	NS6200710SN	42	49	SD0650305TP	26	3
MDP500B2100	50	1	NS6360810SP	20	51	SD0651301TH	26	14
MTJMS000000	40	35	NS6660430SP	18	25	SD0720193SP	12	46
MTJVM004600	42	59~63	NS6660430SP	22	42	SD0720331SP	14	39
MTJVM004700	42	59~63	NS6660511SP	20	48	SD0720331SP	28	15
MTJVM004800	42	59~63	NS6680320SP	32	11	SD0720331SP	72	23
MTJVM004900	42	59~63	NS6680410SP	32	36	SD0720331SP	74	14

NUMERICAL INDEX OF PARTS

PART NO	PAGE	REF NO.	PART NO	PAGE	REF NO.	PART NO	PAGE	REF NO.
SD0720331SP	78	14	SS1110640TP	44	32	SS6121030SP	58	21
SD0790402TP	26	22	SS1110821TP	2	25	SS6121212TP	18	6
SD0790601SP	14	23	SS1110821TP	24	51	SS6121212TP	32	3
SD0790802TP	26	36	SS2060510SP	10	15	SS6150760SN	30	51
SD0791331SP	10	31	SS2090710TP	8	53	SS6151142TP	24	56
SD0800341SP	2	43	SS2110920TP	6	30	SS6151220SP	4	66
SD0800352SP	34	58	SS2110920TP	22	27	SS6151220SP	18	13
SD0800402TP	32	52	SS2110920TP	28	5	SS6151220SP	22	59
SD0800402TP	34	52	SS2110930SP	22	20	SS6151220SP	24	59
SD0800681SP	4	60	SS2110930SP	52	33	SS6151412TP	6	2
SD0801021TP	18	23	SS2110930SP	56	10	SS6151440SP	26	7
SD0900701TP	46	59	SS2110930SP	60	15	SS6151440SP	34	55
SD0901101SP	26	30	SS2110930SP	62	16	SS6660710TP	20	47
SD0901201TP	14	36	SS2110930SP	74	19	SS6661110SP	6	13
SD1000401SP	14	20	SS2110930SP	78	21	SS6661110SP	18	41
SD1201501SP	30	48	SS3090610SP	2	23	SS6661110SP	52	43
SD1201501SP	46	53	SS4090515SP	36	17	SS6681712TP	6	4
SK3311600SE	40	37	SS4090715SP	2	14	SS6681720TP	32	10
SK3452000SC	42	70	SS4110515SP	36	45	SS6741512TP	6	22
SK3483200SE	52	42	SS4110515SP	38	45	SS6741512TP	26	29
SL9082091SE	40	20	SS4110615SP	24	60	SS6742012TP	6	23
SM0040601SA	4	48	SS4110715SP	4	56	SS6742012TP	18	42
SM3061052TP	22	24	SS4110715SP	36	19	SS7080510TP	66	3
SM4040655SP	4	54	SS4110715SP	54	52	SS7080510TP	68	3
SM4040655SP	54	50	SS4110815SP	16	55	SS7080510TP	70	3
SM4051405SE	82	12	SS4110915SP	2	11	SS7080510TP	72	3
SM6051202TP	28	28	SS4110915SP	12	50	SS7090410SP	12	59
SM6060802TP	46	49	SS4111015SP	2	3	SS7090610SP	46	57
SM6061002TP	28	18	SS4150715SP	2	36	SS7090620TP	14	33
SM6061402TP	32	31	SS4150915SP	10	22	SS7110510SP	36	34
SM6061610SC	82	21	SS5680740SP	32	38	SS7110710SP	4	64
SM6061802TP	14	44	SS6060410TP	18	12	SS7110710SP	42	67
SM6061802TP	32	27	SS6080340SP	10	20	SS7110740TP	12	66
SM6061802TP	46	52	SS6090440SP	38	46	SS7110740TP	22	1
SM6062002TP	22	12	SS6090510SP	46	69	SS7110740TP	52	14
SM6062002TP	30	46	SS6090670TP	10	12	SS7110840SP	2	17
SM6062002TP	34	57	SS6091510SP	36	13	SS7110840SP	44	28
SM9061203SE	40	27	SS6110430TP	12	64	SS7110910TP	26	40
SM9061203SE	58	32	SS6110480SP	18	15	SS7110910TP	28	6
SM9062003SC	40	46	SS6110710TP	28	16	SS7111110TP	18	22
SM9082023SE	40	30	SS6110810TP	28	39	SS7111120SP	44	5
SM9082023SE	58	36	SS6110810TP	58	24	SS7111120TP	8	51
SS1060210TP	12	56	SS6111140SP	18	39	SS7111410TP	6	11
SS1110640TP	6	42	SS6111140SP	36	33	SS7111410TP	44	2
SS1110640TP	12	51	SS6120940SP	52	16	SS7111410TP	48	21

NUMERICAL INDEX OF PARTS

PART NO	PAGE	REF NO.	PART NO	PAGE	REF NO.	PART NO	PAGE	REF NO.
SS7111410TP	50	15	SS9151120CP	46	46	WP0850002SC	42	47
SS7111410TP	52	31	SS9151210TP	58	15	WP0871602SE	40	31
SS7111410TP	56	3	SS9151440CP	24	47	WP0871602SE	58	38
SS7111410TP	60	3	SS9151740CP	14	2	WP0952616SD	18	9
SS7111410TP	62	3	SS9156830SP	40	34	WP0982616SP	26	28
SS7111410TP	66	27	TA0550604R0	24	49	WP1021016SD	52	39
SS7111410TP	68	8	TA0750704R0	4	62	WP1052000SC	2	34
SS7111410TP	74	3	TA0750704R0	36	21	WP1302501SE	40	15
SS7111410TP	78	3	TA1050504R0	36	47	WP1612616SE	82	19
SS7120910SP	52	4	TA1050504R0	38	47	WS0451040KP	8	50
SS7151120SP	10	9	TA1250406R0	36	8	WS0510002KN	82	5
SS7151120SP	32	16	TA1450404R0	36	31	WS0621210KR	40	44
SS7151210SP	2	45	TA1470704R0	2	37	WS0621210KR	58	33
SS7151210SP	52	11	TA2050406R0	4	59	WS0641560KR	32	29
SS7151330SP	32	30	TA2100904R0	36	1	WS0861410KR	40	32
SS7701010SP	22	32	WP0450801SD	4	55	WS0861410KR	58	37
SS8080310TP	22	18	WP0450801SD	54	51	WS0902010KN	42	48
SS8090610SP	14	5	WP0450846SP	12	65	WS1253010KN	40	16
SS8110520TP	18	29	WP0480856SP	4	61	WS1643202KR	82	15
SS8150510TP	22	16	WP0480856SP	26	41	WZ0641510KP	2	5
SS8150710SP	28	12	WP0480856SP	34	49			
SS8150822TP	2	30	WP0480856SP	42	69			
SS8150822TP	18	31	WP0482086SD	28	44			
SS8150822TP	28	41	WP0482086SD	32	2			
SS8150822TP	42	57	WP0501016SC	42	71			
SS8150822TP	52	20	WP0501016SD	44	39			
SS8150822TP	58	26	WP0612056SD	30	53			
SS8151230SP	6	21	WP0612056SD	32	28			
SS8151550SP	28	43	WP0612056SD	40	39			
SS8151780SP	32	24	WP0612056SE	40	45			
SS8620610SP	28	25	WP0612066SP	46	50			
SS8620850SP	28	45	WP0612516SD	44	47			
SS8660530TP	6	3	WP0612516SD	46	47			
SS8660610TP	6	5	WP0621016SD	22	13			
SS8660612TP	8	45	WP0621016SD	30	50			
SS8661012TP	6	19	WP0621016SD	32	26			
SS8661112TP	8	47	WP0621016SD	36	32			
SS8661212TP	6	20	WP0621016SD	40	40			
SS8681950SP	26	15	WP0650876SD	22	43			
SS9110460CP	44	40	WP0651056SH	46	54			
SS9110920CP	44	22	WP0671016SE	40	28			
SS9150730SP	72	24	WP0671016SE	58	34			
SS9150730SP	74	15	WP0702026SP	22	34			
SS9150730SP	78	15	WP0704516SP	24	53			
SS9151120CP	44	46	WP0751576SD	32	34			