

MODEL : MH-380/MH-382

List No : 0046-14

# PARTS LIST

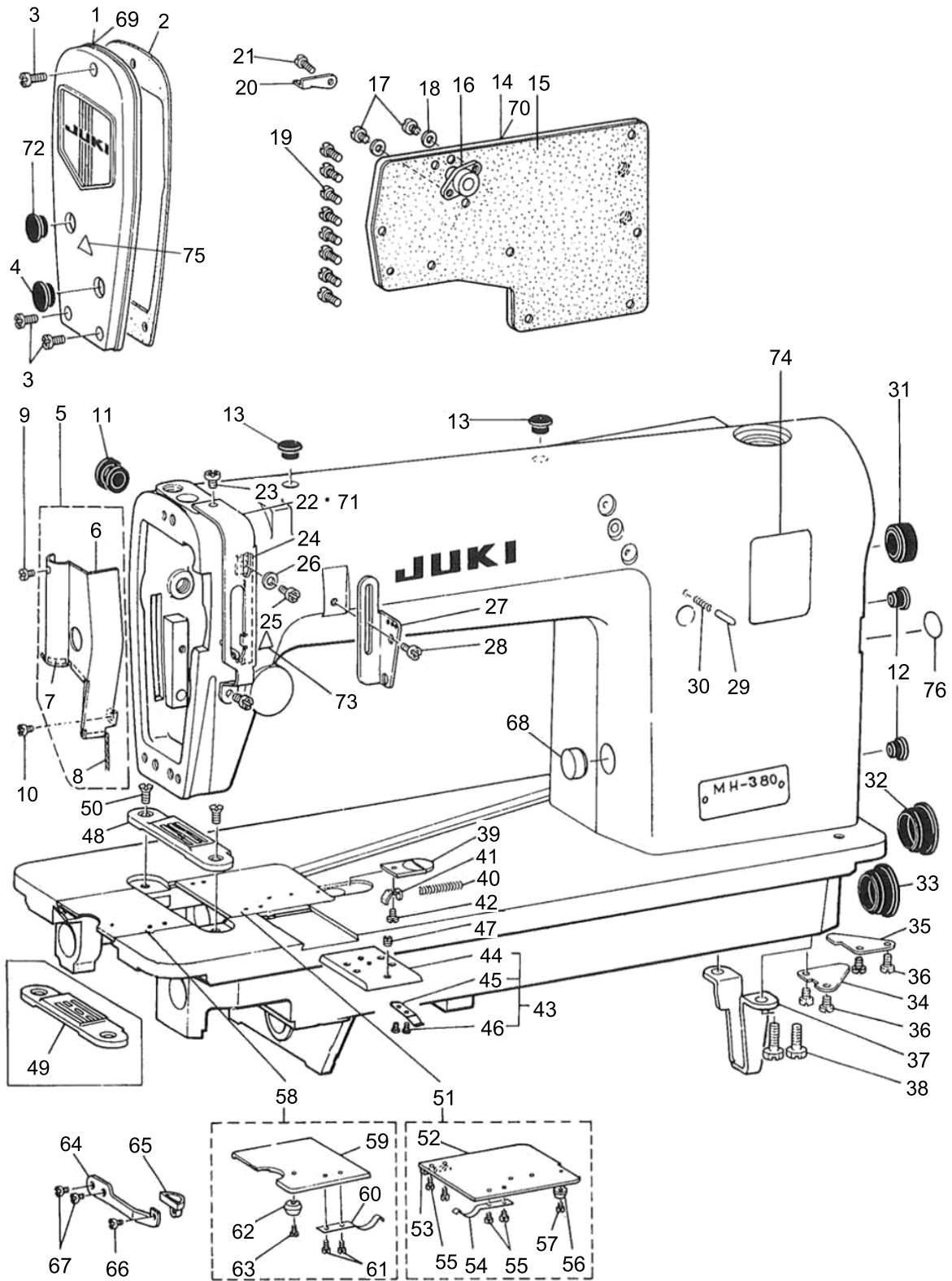
Published:05/12/2017

## CONTENTS

---

MACHINE FRAME & MISCELLANEOUS COVER COMPONENTS .....	1
MAIN SHAFT & NEEDLE BAR COMPONENTS .....	5
PRESSER BAR, UPRIGHT SHAFT & LOWER SHAFT COMPONENTS .....	9
FEED MECHANISM COMPONENTS (1).....	13
FEED MECHANISM COMPONENTS (2).....	17
LOOPER & NEEDLE GUARD COMPONENTS .....	21
THREAD TENSION CONTROLLER COMPONENTS .....	25
OIL LUBRICATION MECHANISM COMPONENTS .....	29
OIL RESERVOIR & KNEE LIFTER COMPONENTS.....	31
THREAD STAND COMPONENTS.....	33
SILICON OIL LUBRICANT & BELT COVER COMPONENTS .....	35
TABLE OF EXCHANGING GAUGE SETS (1) FOR MH-380 & 382 .....	37
TABLE OF EXCHANGING GAUGE SETS (2) FOR MH-380 & 382 .....	38
LIST FOR INFORMATION OF CHANGE.....	39
HOW TO MAKE USE OF THIS PARTS LIST .....	40

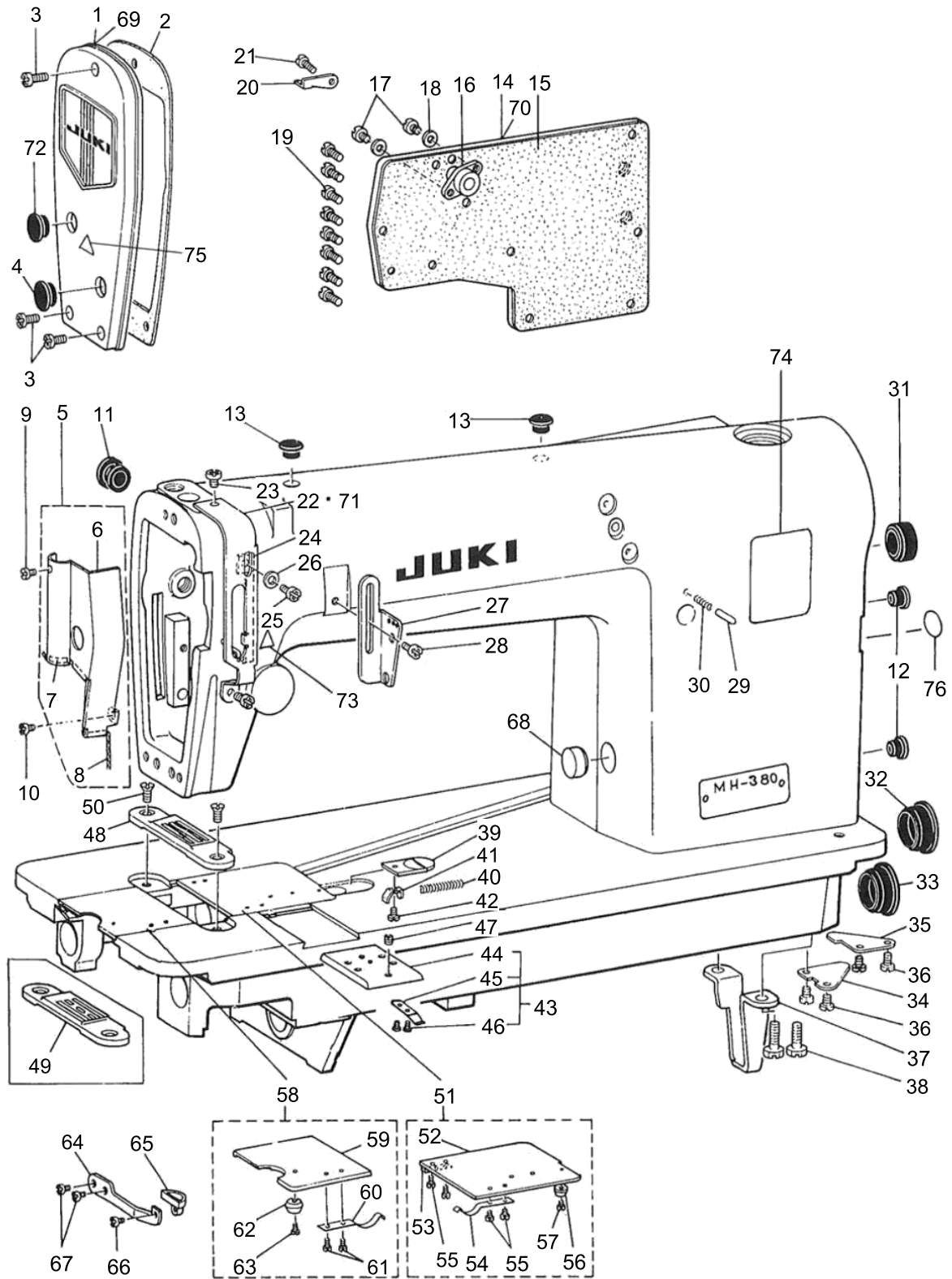
MACHINE FRAME & MISCELLANEOUS COVER COMPONENTS



MACHINE FRAME & MISCELLANEOUS COVER COMPONENTS

No.	Supply Code	Parts No.	Replacement	Parts name	Remarks	Choice	Step	Level	Cons	Qty	Rep. QTY
1		40114236		FACE PLATE ASM.						1	
2		B1122552000		FACE PLATE GASKET						1	
3		SS4111015SP		SCREW 11/64-40L=10						3	
4		TA1250406R0		RUBBER PLUG D=12.5 L=4						1	
5	D	B11304810A0		ARM OIL SHIELD ASM.						1	
6		B1130481000A		ARM OIL SHIELD				*		1	
7	D	B1131481000		NON-WOVEN FABRIC				*		1	
8	D	B1132481000		OIL WICK				*		1	
9		SS6080320SP		SCREW 1/8-44 L= 2.5						1	
10		SS4110515SP		SCREW 11/64-40 L=5						1	
11		TA1250705R0		RUBBER PLUG						1	
12		TA0750704R0		RUBBER PLUG						2	
13		TA1050504R0		RUBBER PLUG						2	
14		B1118481000		SIDE PLATE						1	
15		B1119481000		GASKET						1	
16		D3111481CA0		TENSION RELEASE SHAFT COLLAR ASM.						1	
17	R	SS6090630SP	SS6090630TP	SCREW 9/64-40 L=6						2	1.00
18		B3534012000		GASKET						2	
19		SS4110815SP		SCREW 11/64-40 L=8						8	
20		B3122481000		FRAME THREAD GUIDE						1	
21		SS4110515SP		SCREW 11/64-40 L=5						1	
22		B1904481000		THREAD TAKE-UP LEVER GUARD						1	
23		SS4110515SP		SCREW 11/64-40 L=5						2	
24		B1903481000		TAKE-UP THREAD TENSION LEVER						1	
25		SS4110515SP		SCREW 11/64-40 L=5						1	
26		WP0480856SP		WASHER 4.8X8.4X0.8						1	
27		B1905380000		FRAME THREAD EYELET						1	
28		SS4110515SP		SCREW 11/64-40 L=5						1	
29		22912000		FEED REGULATOR PIN						1	
30		22912109		FEED REGULATOR PIN SPRING						1	
31		TA2101002R0		RUBBER PLUG						1	
32		TA2351305R0		RUBBER PLUG						2	
33		TA2351004R0		RUBBER PLUG						1	
34		B1134481000		BED OIL SHIELD						1	
35		B1135481000		BED OIL SHIELD (B)						1	
36		SS7110510SP		SCREW 11/64-40 L=5						4	
37		B1106122000		BED SUPPORT PLATE						1	
38		SS9151120CP		SCREW 15/64-28L=11						2	
39		B1110481000A		CAM COVER LATCH						1	
40		B1111481000		SPRING						1	
41		B1112481000A		SPRING SUSPENSION						1	
42		SS6080320SP		SCREW 1/8-44 L= 2.5						1	
43		B11113800A0		ATTACHMENT INST- ALLING PLATE ASM.						1	
44		B1111380000		ATTACHMENT INSTALLING PLATE				*		1	
45		B1112380000		SPRING				*		1	

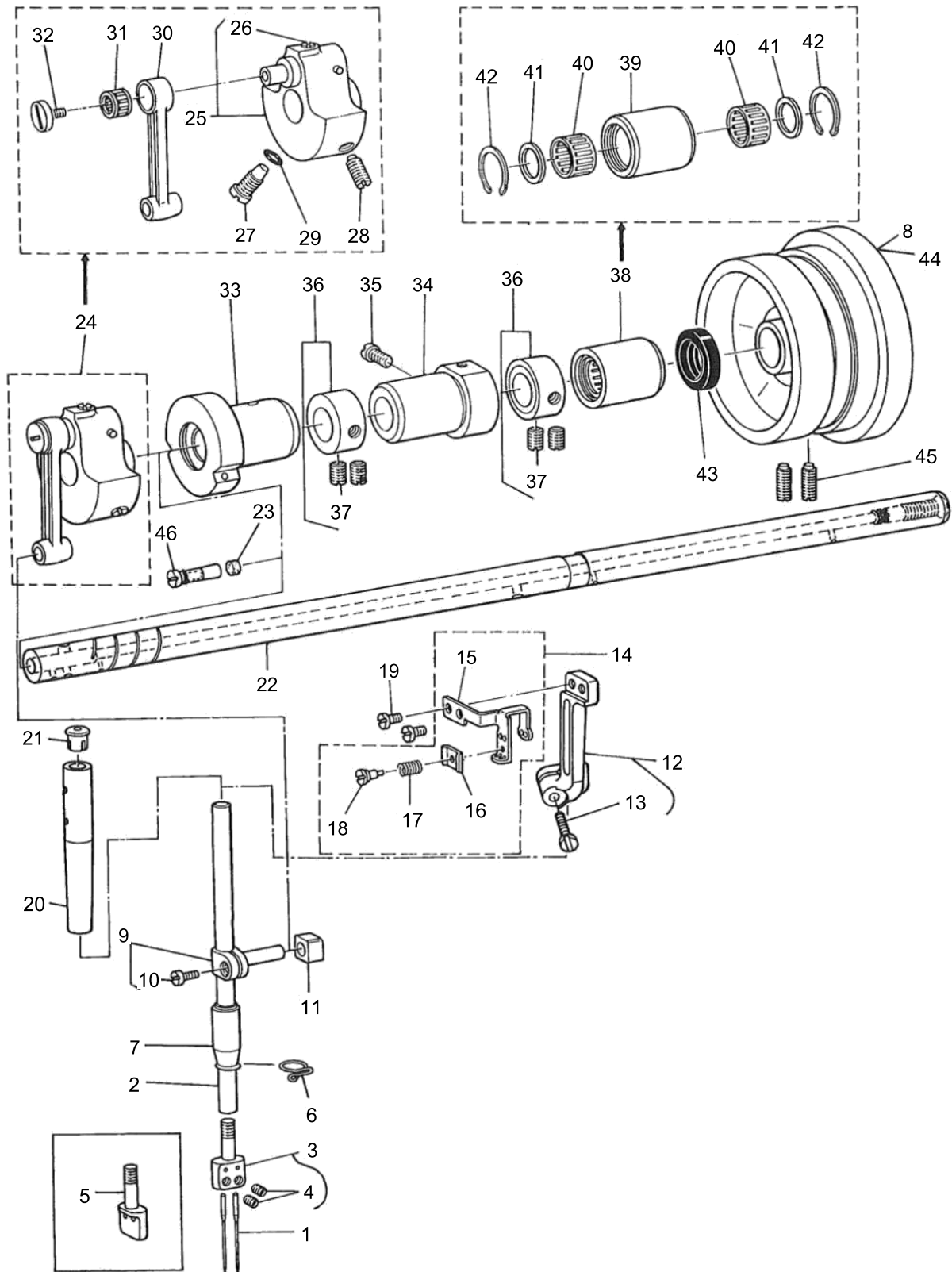
MACHINE FRAME & MISCELLANEOUS COVER COMPONENTS



MACHINE FRAME & MISCELLANEOUS COVER COMPONENTS

No.	Supply Code	Parts No.	Replacement	Parts name	Remarks	Choice	Step	Level	Cons	Qty	Rep. QTY
46		SS6060220SP		SCREW 3/32-56 L=2.0				*		2	
47		SS8150310SP		SCREW 15/64-28 L= 3.4						1	
48		B1103380F00		THROAT PLATE 1/4	FORMH-380					1	
49		B1103382000		THROAT PLATE	FORMH-382					1	
50		SS2110920TP		SCREW 11/64-40 L=8.5						2	
51		B1108380BA0		CAM COVER ASM.						1	
52	R	B1108380B00	B1108380BA0	CAM COVER				*		1	1.00
53		B1108481000		CAM COVER SUPPORT				*		1	
54		B1109481000		SPRING				*		1	
55		SS6060210SP		SCREW 3/32-56 L= 1.9				*		4	
56		B1107481000		CAM COVER GUIDE				*		1	
57		SS6060340SP		SCREW 3/32-56 L=2.5				*		1	
58		B1104380AA0		BED SLIDE ASM.						1	
59	R	B1104380A00	B1104380AA0	BED SLIDE				*		1	1.00
60		B1115380000		SPRING				*		1	
61		SS6060210SP		SCREW 3/32-56 L= 1.9				*		2	
62		B1107380000		BED SLIDE GUIDE				*		1	
63		SS6060340SP		SCREW 3/32-56 L=2.5				*		1	
64		B1105380000		BED SLIDE STOPPER						1	
65		B1106380000		LATCH						1	
66		SS4080415SP		SCREW 1/8-44 L=4						1	
67		SS4110515SP		SCREW 11/64-40 L=5						2	
68		TA1750502R0		RUBBER PLUG D=17.5 L=5						1	
69	R	B112155200A	B11215520AA	FACE PLATE	FOR URBAN WHITE					1	1.00
70		B111848100A		SIDE PLATE	FOR URBAN WHITE					1	
71		B190448100A		THREAD TAKE-UP LEVER COVER	FOR URBAN WHITE					1	
72		TA2050406R0		RUBBER PLUG						1	
73		CM300200001		ATTENTION SEAL	FOR USE IN JAPAN,JE					1	
74		CM301200001		SAFETY LABEL_S						1	
75		CM300200001		ATTENTION SEAL	FOR USE IN JAPAN					1	
76		22901805		GROUND MARK						1	

MAIN SHAFT & NEEDLE BAR COMPONENTS



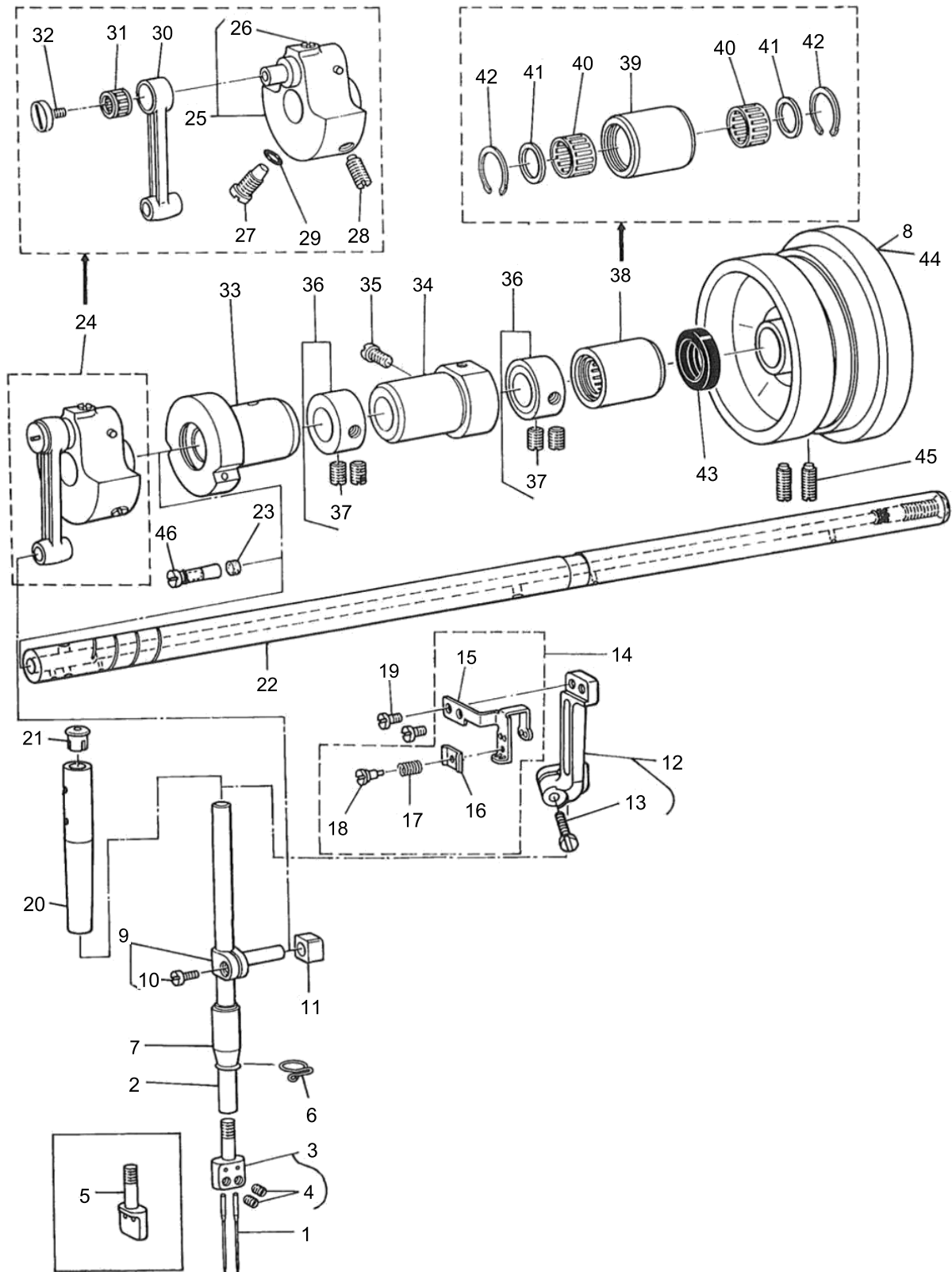
MAIN SHAFT & NEEDLE BAR COMPONENTS

No.	Supply Code	Parts No.	Replacement	Parts name	Remarks	Choice	Step	Level	Cons	Qty	Rep. QTY
1		MTV700B1400		NEEDLE TVX7 #14						2	
2		B1401380000		NEEDLE BAR						1	
3		B1406019FA0		NEEDLE CLAMP ASM. 1/4	FORMH-380					1	
4		SS8110310SP		SCREW 11/64-40 L= 2.8	FORMH-380			*		2	
5		D1406038BA0		NEEDLE CLAMP ASM.	FORMH-382					1	
6		B1419380000		NEEDLE BAR THREAD GUIDE						1	
7		B1403380000		NEEDLE BAR BUSHING LOWER						1	
8	R	B121749000A	B12174900AA	HAND WHEEL	FOR URBAN WHITE					1	1.00
9		B14114810A0		NEEDLE BAR CONNECTION ASM.						1	
10		SS6090670TP		SCREW 9/64-40 L=6				*		1	
11		B1414555000		SLIDE BLOCK						1	
12		B19024810A0B		THREAD TAKE-UP LEVER ASM.						1	
13		SS6091210TP		SCREW 9/64-40 L=12				*		1	
14		B19013800A0		THREAD TAKE-UP ASM.						1	
15		B1901481000A		THREAD TAKE-UP				*		1	
16		B1908481000A		THREAD TENSION REGULATING PLAT				*		1	
17		D1910481C00		TENSION SPRING				*		1	
18		B1909481000A		THREAD TENSION REGULATING STUD				*		1	
19		SS6090670TP		SCREW 9/64-40 L=6						2	
20		22906101		NEEDLE BAR BUSHING UPPER						1	
21		22901409		NEEDLE BAR UPPER BUSH CAP						1	
22		B1201481000A		MAIN SHAFT						1	
23		B1226552000		ROLLER FELT						1	
24		B12064810A0		COUNTERWEIGHT ASM.						1	
25		B12064810B0		COUNTERWEIGHT ASM.				*		1	
26		SS8150710TP		SCREW 15/64-28 L=7				*		1	
27		SS7681650TP		SCREW 9/32-28 L=16				*		1	
28		SS8681650TP		SCREW 9/32-28 L=16				*		1	
29		RO044240100		RUBBER RING				*		1	
30		B1408481000		NEEDLE BAR CRANK ROD				*		1	
31		B1905541B00		NEEDLE BEARING				*		1	
32		B1903552000		LEFT SCREW				*		1	
33		B1202481000		BUSHING FRONT						1	
34		B1203481B00		BUSHING INTERMEDIATE						1	
35		SS7151120SP		SCREW 15/64-28 L=11						1	
36		CS147121ESH		THRUST COLLAR ASM. D=14.72 W=12						2	
37		SS8660810TP		SCREW 1/4-40 L=8				*		4	
38		D1204555DA0		MAIN SHAFT BUSHING REAR ASM.						1	
39		D1204555D00		MAIN SHAFT BUSHING REAR				*		1	
40	R	D1230555B00	D1230555B0A	NEEDLE BEARING		A		*		2	1.00
40	R	D1230555B00	D1230555B0B	NEEDLE BEARING		B		*		2	1.00

A:公差0~-0-.002/tolerance0~-0.002  
 B:公差-0.0-02~-0.004/-tolerance--0.002~-0.004



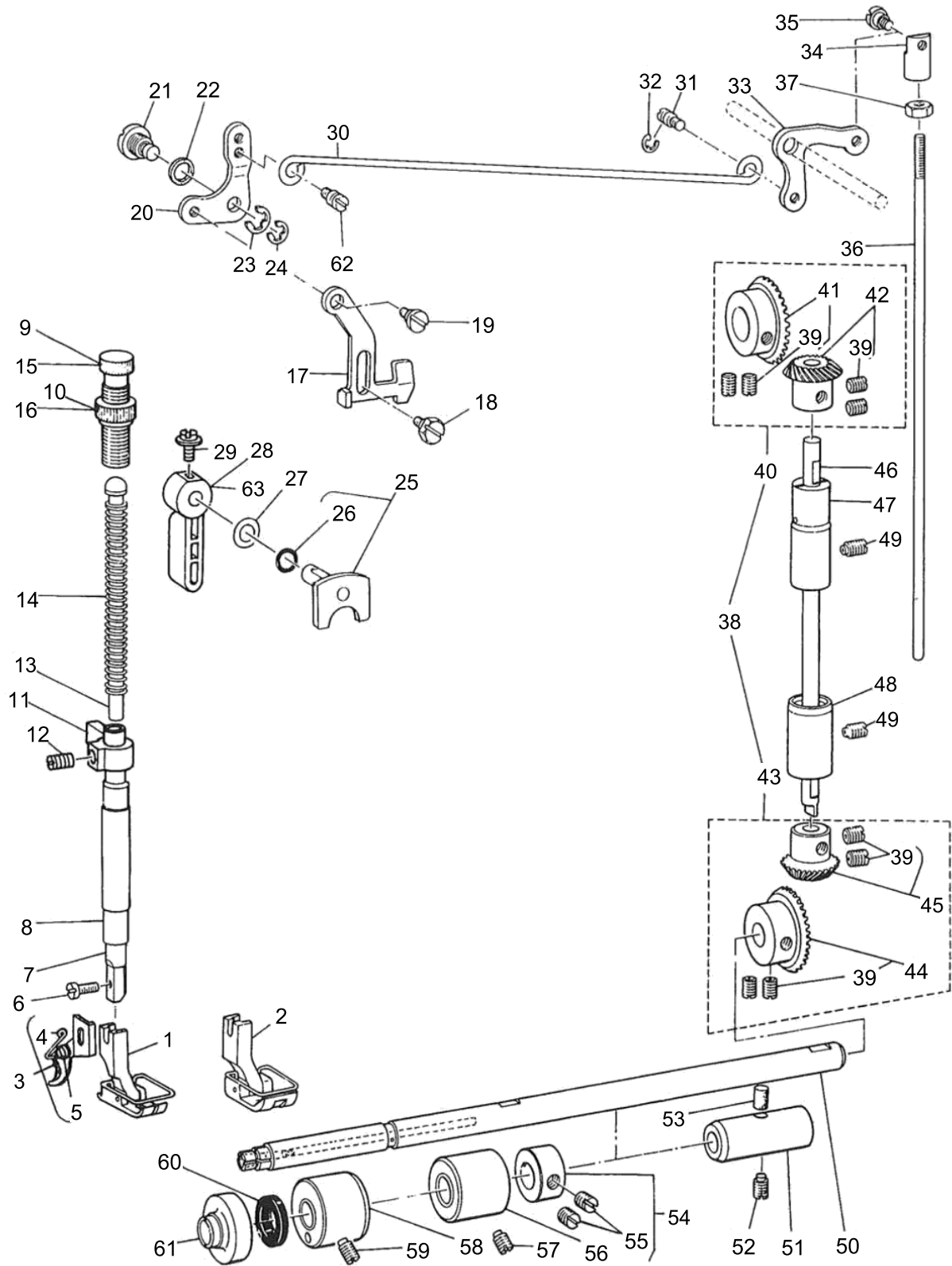
MAIN SHAFT & NEEDLE BAR COMPONENTS



MAIN SHAFT & NEEDLE BAR COMPONENTS

No.	Supply Code	Parts No.	Replacement	Parts name	Remarks	Choice	Step	Level	Cons	Qty	Rep. QTY
40	R	D1230555B00	D1230555B0C	NEEDLE BEARING		C	C:公差-0.0-0.04~-0.006/-tolerance--0.004~-0.006	*		2	1.00
40	R	D1230555B00	D1230555B0D	NEEDLE BEARING		D	D:公差-0.0-0.06~-0.008/-tolerance--0.006~-0.008	*		2	1.00
41		D1231555B00		WASHER				*		2	
42		D1232555B00		SNAP RING				*		2	
43		D1208555D00		OIL SEAL						1	
44	R	B1217490000	B12174900AA	HAND WHEEL						1	1.00
45		SS8151550SP		SCREW15/64-28L=15						2	
46		B12135520A0A		OIL AMOUNT ADJUSTING PIN ASM.						1	

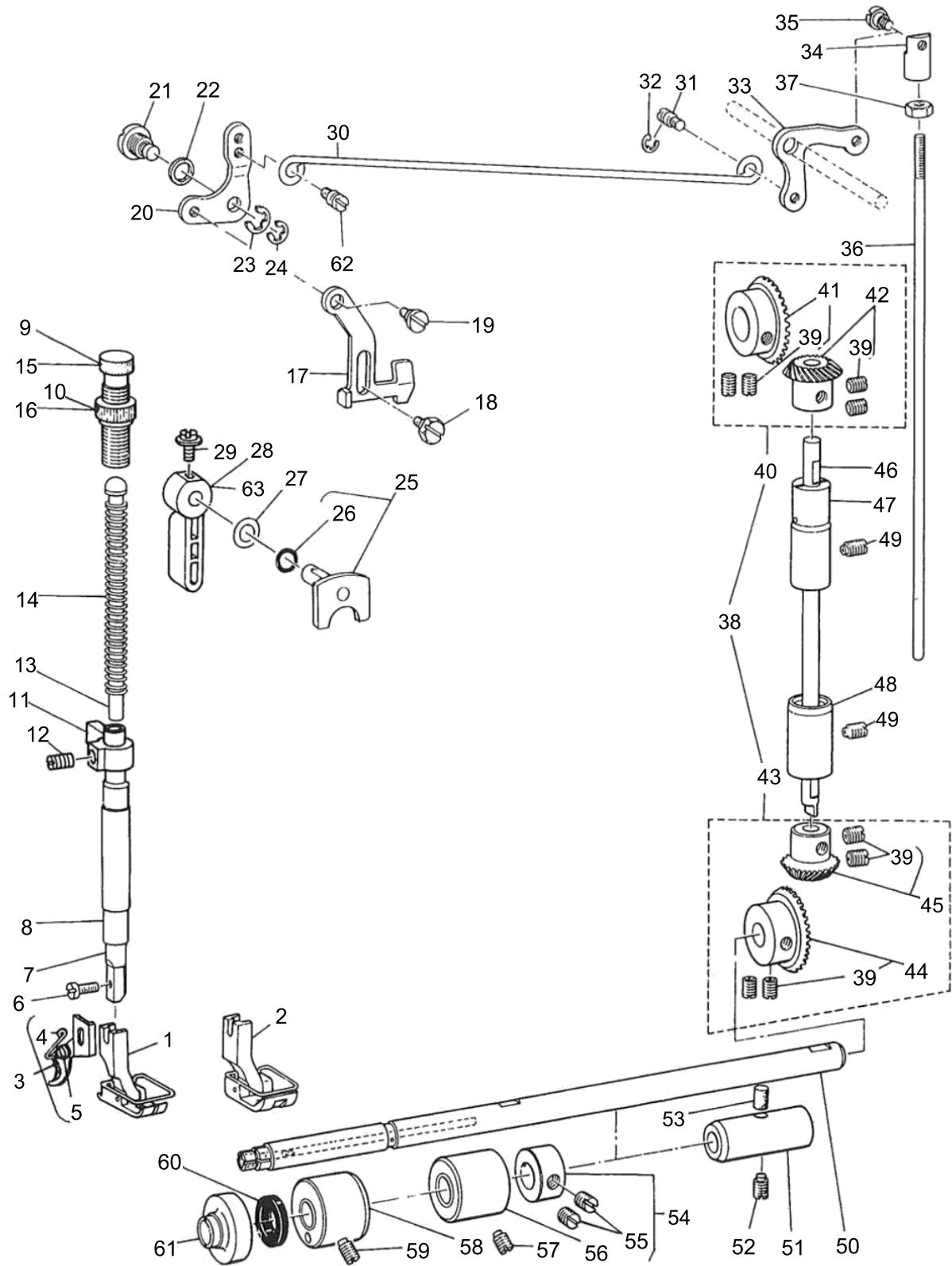
PRESSER BAR, UPRIGHT SHAFT & LOWER SHAFT COMPONENTS



PRESSER BAR, UPRIGHT SHAFT & LOWER SHAFT COMPONENTS

No.	Supply Code	Parts No.	Replacement	Parts name	Remarks	Choice	Step	Level	Cons	Qty	Rep. QTY
1		B1509038FB0		PRESSER FOOT ASM. 1/4	FORMH-380					1	
2		B15243820B0		PRESSER FOOT	FORMH-382					1	
3		B15283800A0		THREAD KNIFE ASM.						1	
4		B1529380000		THREAD KNIFE GUIDE				*		1	
5		SS5060310SP		SCREW 3/32-56 L=2.8				*		1	
6		SS7091110TP		SCREW 9/64-40 L=10.5						1	
7		B1501380000		PRESSER BAR						1	
8		22907109		PRESSER BAR BUSHING LOWER						1	
9	R	22907505	22907554	PRESSER SPRING REGULATOR	FOR URBAN WHITE					1	1.00
10	R	22907604	22907554	PRESSER SPRING REGULATOR NUT	FOR URBAN WHITE					1	1.00
11		10178705		PRESSER BAR GUIDE BRACKET						1	
12		SS8660610TP		SCREW 1/4-40 L=6						1	
13		22907703		PRESSER GUIDE BAR						1	
14		22907406		PRESSER SPRING						1	
15	R	B1509555000	40011951	PRESSER SPRING REGULATOR						1	1.00
16	R	B1511555000	40012052	NUT						1	1.00
17		B1515552000		LIFTING LEVER						1	
18		SD0630275SP		HINGE SCREW D= 6.35 H= 2.7						1	
19		SD0630301SP		HINGE SCREW D=6.35 H=3						1	
20		B1516552000		LIFTING LEVER LINK						1	
21		B1517552000		HINGE PIN						1	
22		B3431581000		LIFTING LEVER GASKET						1	
23		B1523226000		SNAP RING						1	
24		RE0600000K0		E-RING 6						1	
25		B15185550A0		HAND LIFTER CAM ASM.						1	
26		RO037180100		RUBBER RING				*		1	
27		WP0740516SP		WASHER 7.4X11.8X0.5						1	
28		B1520552000A		HAND LIFTER						1	
29		B1521555000		SCREW						1	
30		B3412415000		LIFTING LEVER CONNECTING ROD						1	
31		B3416552000		CONNECTING ROD HINGE SCREW						1	
32		RE0500000K0		E-RING						1	
33	D	B3414415000A		LIFTING LEVER LINK RIGHT						1	
34		B3416415000A		SWIVEL						1	
35		SD0600322SD		HINGE SCREW D=6 H=3.2						1	
36		B3415481000		CONNECTING ROD VERTICAL						1	
37		NS6620310SP		NUT 3/16-32						1	
38		B13084810C0		GEAR LOWER ASM.						1	
39		SS8660810TP		SCREW 1/4-40 L=8				*		8	
40		B13061550B0		GEAR & PINION ASM. UPPER				*		1	
41		B13050120A0		GEAR ASM.				*		1	
42		B13061550A0		PINION ASM.				*		1	
43		B13084810B0		GEAR & PINION ASM.				*		1	
44		B13084810A0		GEAR LOWER (LARGE) ASM.				*		1	
45		B13061550A0		PINION ASM.				*		1	
46		B1301481000A		UPRIGHT SHAFT						1	

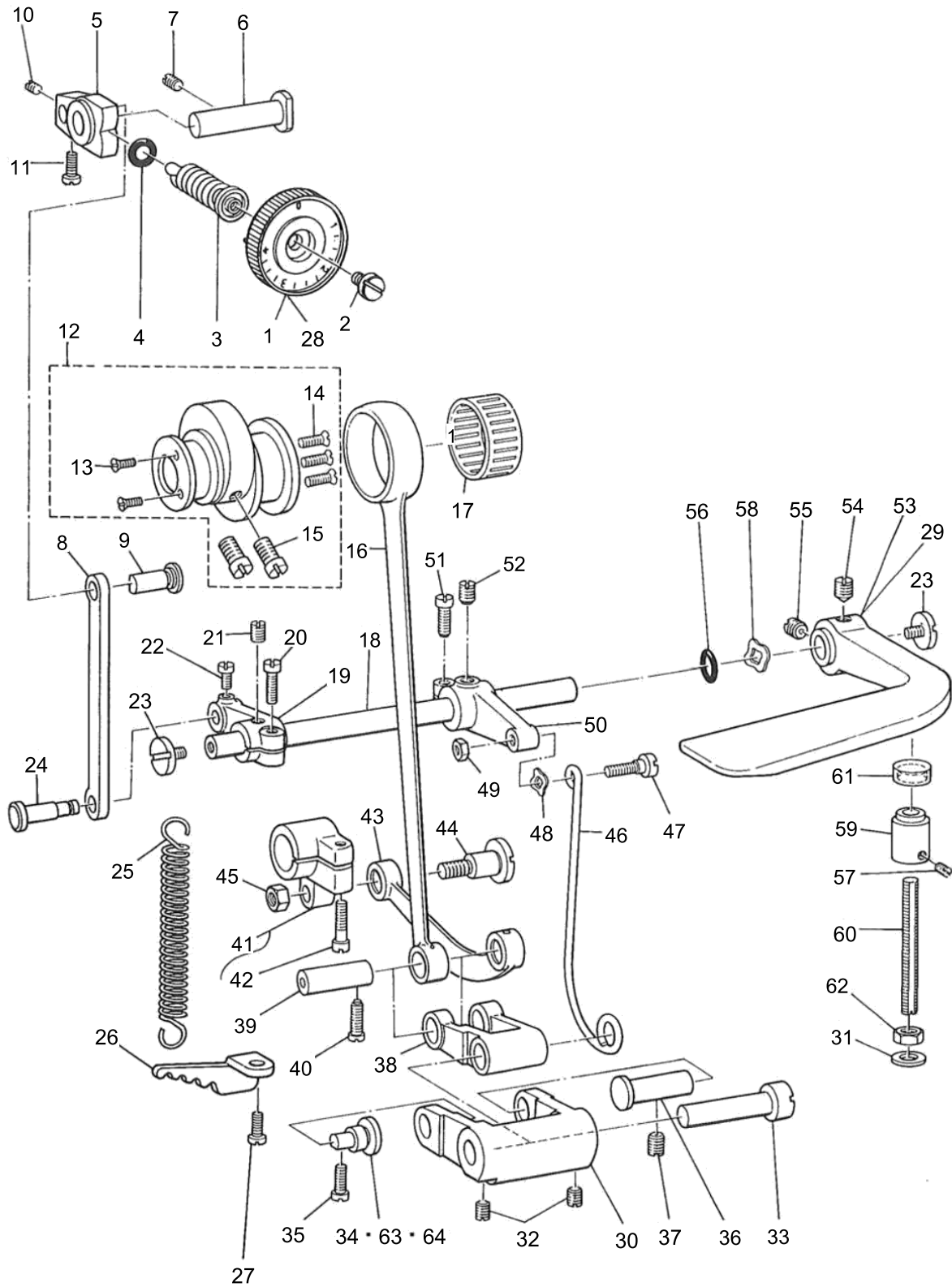
PRESSER BAR, UPRIGHT SHAFT & LOWER SHAFT COMPONENTS



PRESSER BAR, UPRIGHT SHAFT & LOWER SHAFT COMPONENTS

No.	Supply Code	Parts No.	Replacement	Parts name	Remarks	Choice	Step	Level	Cons	Qty	Rep. QTY
47		B1302552B00		BUSHING UPPER						1	
48		11004207		UPRIGHT SHAFT BUSHING LOWER						1	
49	R	SS8151150SP	SS8151150TP	SCREW 15/64-28 L=10.5						2	1.00
50		40040301		LOWER SHAFT ASM.						1	
51		B1607352000		BUSHING REAR						1	
52	R	SS8151150SP	SS8151150TP	SCREW 15/64-28 L=10.5						1	1.00
53		22814909		FELT						1	
54		CS111121ASH		THRUST COLLAR A-SM. D=11.11 W=12						1	
55		SS8660810TP		SCREW 1/4-40 L=8				*		2	
56		B1803481000		BUSHING INTERMEDIATE						1	
57	R	SS8151150SP	SS8151150TP	SCREW 15/64-28 L=10.5						1	1.00
58		B1802481000		BUSHING FRONT						1	
59	R	SS8151150SP	SS8151150TP	SCREW 15/64-28 L=10.5						1	1.00
60		B1813481000		OIL SEAL						1	
61	R	B2226481000	B22264810B0	LOOPER THREAD GUARD BUSHING						1	1.00
62		22908909		HINGE SCREW						1	
63		22907802		HAND LIFTER	FOR URBAN WHITE					1	

FEED MECHANISM COMPONENTS (1)

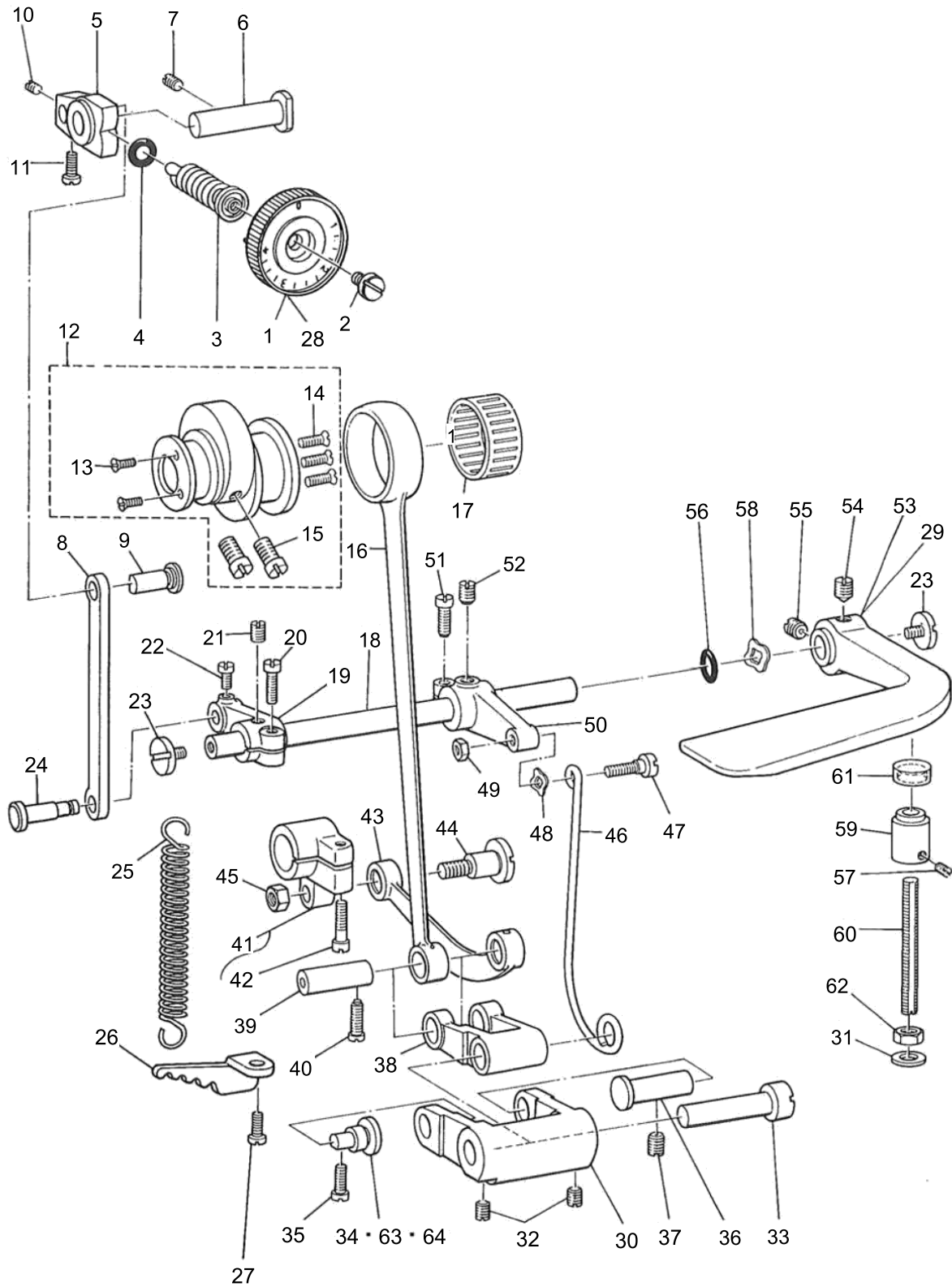


FEED MECHANISM COMPONENTS (1)

No.	Supply Code	Parts No.	Replacement	Parts name	Remarks	Choice	Step	Level	Cons	Qty	Rep. QTY
1		B1623555000A		FEED REGULATOR DIAL						1	
2	R	SS6120930SP	SS6120930TP	SCREW 3/16-28 L=9						1	1.00
3		B1634555000B		STITCH LENGTH REGULATING SCREW						1	
4		RO074240100		RUBBER RING						1	
5		B1620481000		FEED REGULATOR						1	
6		B1622555000		HINGE PIN						1	
7	R	SS8150710SP	SS8150710TP	SCREW 15/64-28 L=7						1	1.00
8		40114880		FEED REGULATOR CONNECTING ROD						1	
9		B1626555000		FEED REGULATOR CONNECTING ROD						1	
10	R	SS8110510SP	SS8110520TP	SCREW 11/64-40 L=5						1	1.00
11		SS7110710SP		SCREW 11/64-40 L=7						1	
12		B16103800A0		FEED ECCENTRIC CAM ASM.						1	
13		SS2090710TP		SCREW 9/64-40 L=7.2				*		2	
14		SS2110930SP		SCREW 11/64-40 L=8.75				*		3	
15		SS6661110SP		SCREW 1/4-40 L=11				*		2	
16		40114884		FEED ROCKER SHAFT CONNECTING ROD						1	
17		B1636581B00		NEEDLE BEARING B	SELECTIVE PARTS					1	
18		B1621555000A		CONTROL LEVER SHAFT						1	
19		40120458		CONTROL LEVER SHAFT CRANK						1	
20		SS6121210SP		SCREW 3/16-28 L=12						1	
21	R	SS8150710SP	SS8150710TP	SCREW 15/64-28 L=7						1	1.00
22	R	SS7110910SP	SS7110910TP	SCREW 11/64-40 L=8.5						1	1.00
23		SS7620750SP		SCREW 3/16-32 L=6.5						2	
24		B1628555000		TENSION SPRING SUSPENSION STUD						1	
25		B1646555000		TENSION SPRING						1	
26		B1636555000		SUSPENSION BRACKET						1	
27	R	SS7111120SP	SS7111120TP	SCREW 11/64-40 L=10.5						1	1.00
28		B1623555A00		FEED REGULATOR DIAL	FOR URBAN WHITE					1	
29		B162438000A		REVERSE FEED CONTROL LEVER	FOR URBAN WHITE					1	
30		40136257		FEED DRIVING ROCKER						1	
31		WP0621016SD		WASHER 6.2X13X1						1	
32	R	SS8620610SP	SS8620610TP	SCREW 3/16-32 L=6						2	1.00
33		40114882		FEED DRIVING ROCKER HINGE PIN						1	
34		B1619555000		FEED DRIVING ROCKER HINGE PIN						1	
35	R	SS7111120SP	SS7111120TP	SCREW 11/64-40 L=10.5						1	1.00
36		B1618161000		FEED DRIVING ROCKER ARM HINGE						1	
37	R	SS8150710SP	SS8150710TP	SCREW 15/64-28 L=7						1	1.00
38		40136256		FEED DRIVING ROCKER ARM						1	
39		B1633555000		ROCKER ARM CONNECTING PIN						1	
40		SS7111260SP		SCREW 11/64-40 L=12						1	
41		B1608481000		FEED ROCKER SHAFT CRANK ARM						1	
42		SS6121610TP		SCREW 3/16-28 L=15.5				*		1	
43		B1606481000		CONNECTING ROD						1	
44		SD1020701SP		HINGE SCREW D=10.2 H=7						1	



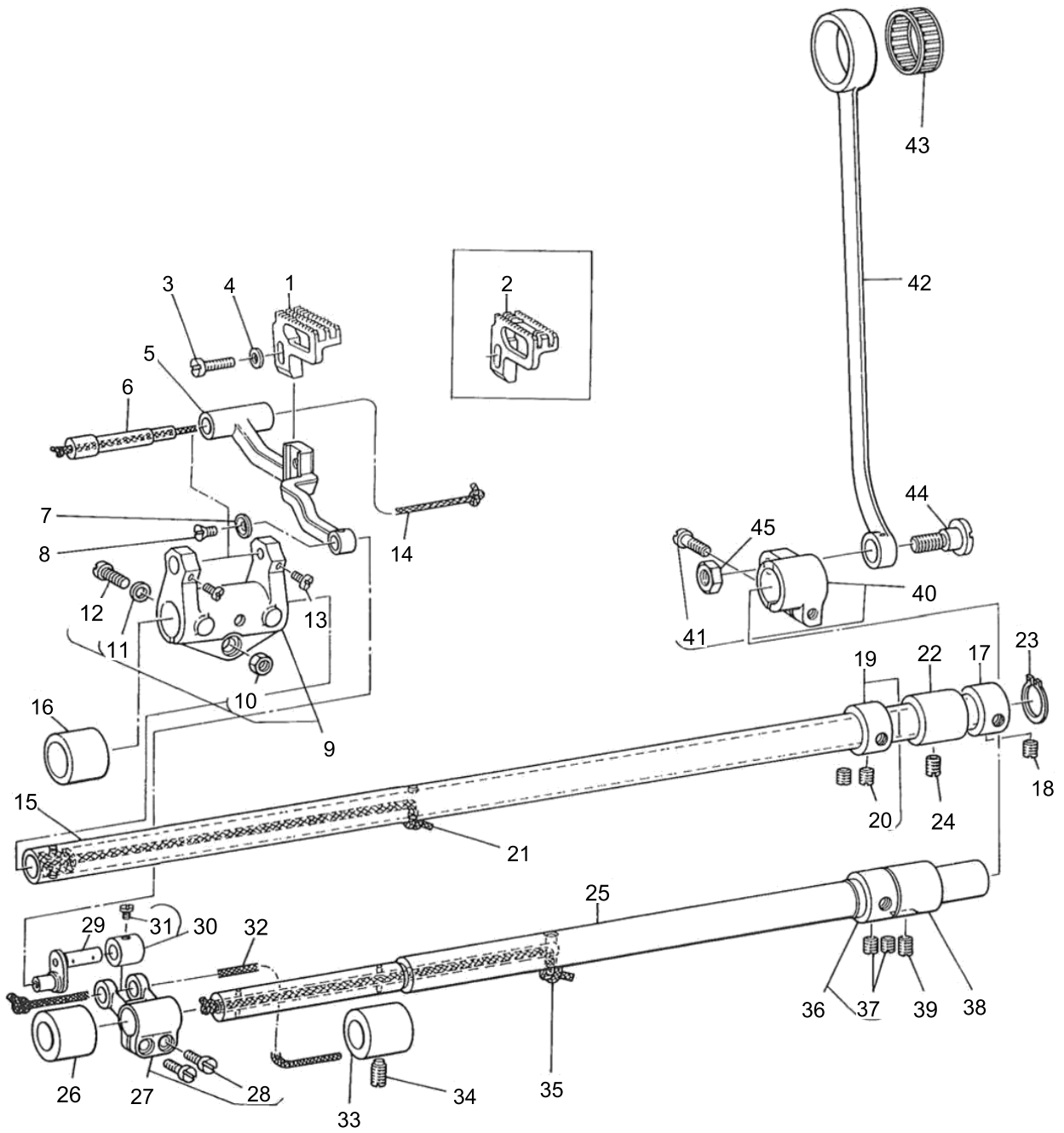
FEED MECHANISM COMPONENTS (1)



FEED MECHANISM COMPONENTS (1)

No.	Supply Code	Parts No.	Replacement	Parts name	Remarks	Choice	Step	Level	Cons	Qty	Rep. QTY
45		NS6680320SP		NUT 9/32-28						1	
46		B1630555000		ROCKER ARM CONNECTING ROD						1	
47		SD0500401SP		HINGE SCREW D= 5 H= 4						1	
48		WZ0541510KP		WAVED WASHER 5.4X9.0X0.3						1	
49		NS6120310SP		NUT 3/16-28						1	
50		40114881		CONTROL LEVER CRANK REAR						1	
51		SS6121210SP		SCREW 3/16-28 L=12						1	
52	R	SS8150710SP	SS8150710TP	SCREW 15/64-28 L=7						1	1.00
53	R	B1624380000	B162438000A	REVERSE FEED CONTROL LEVER						1	1.00
54		SS8661040TP		SCREW 1/4-40 L=10						1	
55		SS8660810TP		SCREW 1/4-40 L=8						1	
56		RO069180100		RUBBER RING						1	
57		SS8090540SP		SCREW 9/64-40 L=5						1	
58		WZ1052010KP		WAVED WASHER						1	
59		B1660380000		LEVER STOPPER						1	
60		B1661481000		SCREW						1	
61		B1662481000		LEVER STOPPER RUBBER CAP						1	
62		NS6150430SP		NUT 15/64-28						1	
63		40082080		FEED DRIVING ROCKER HINGE PIN 1	SELECTIVE PARTS					1	
64		40082081		FEED DRIVING ROCKER HINGE PIN 2	SELECTIVE PARTS					1	

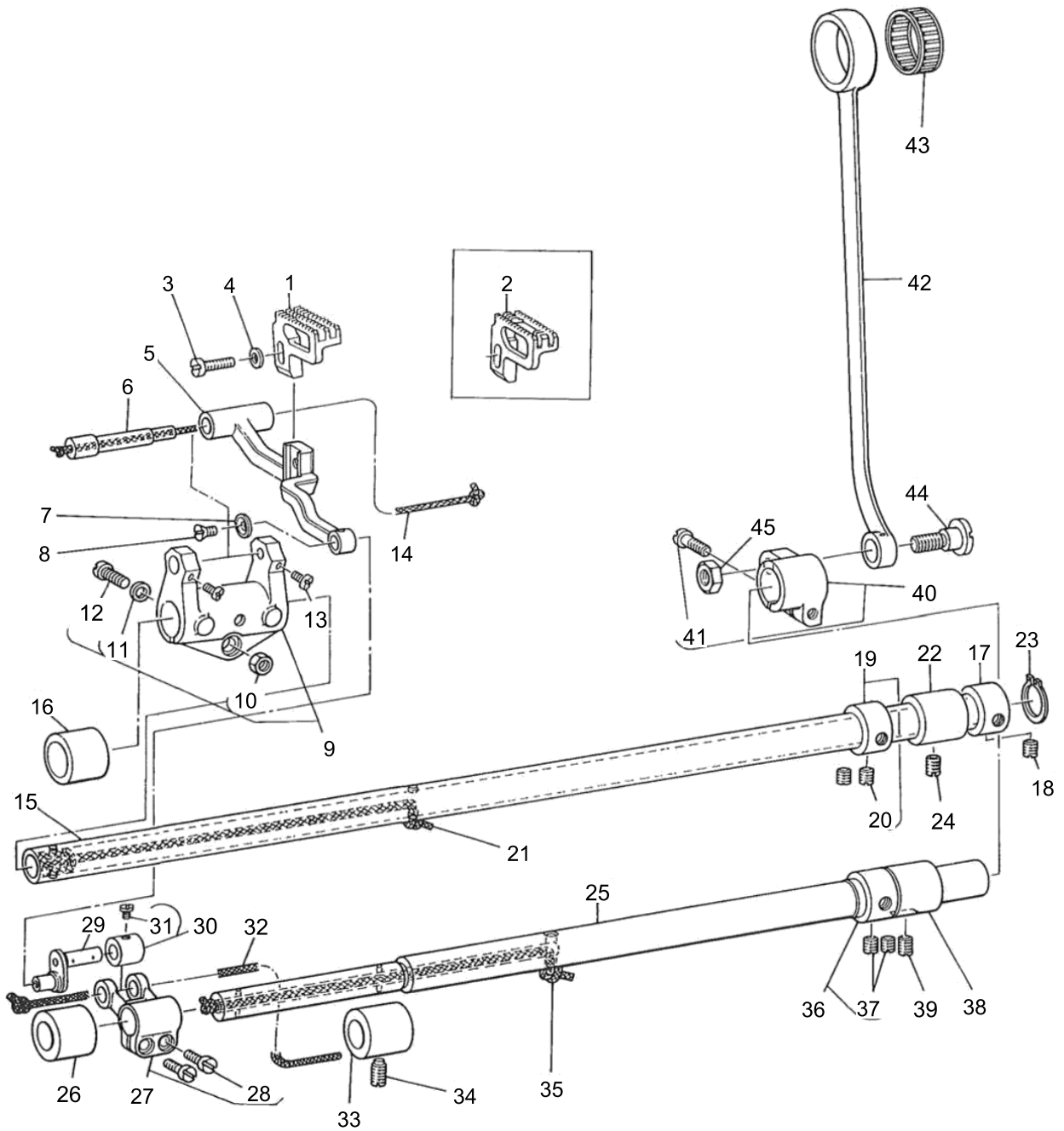
FEED MECHANISM COMPONENTS (2)



FEED MECHANISM COMPONENTS (2)

No.	Supply Code	Parts No.	Replacement	Parts name	Remarks	Choice	Step	Level	Cons	Qty	Rep. QTY
1		B1613380F00		FEED DOG (1/4)	FORMH-380					1	
2		B1613382000		FEED DOG	FORMH-382					1	
3		SS7111410TP		SCREW 11/64-40L=14						1	
4		WP0480856SP		WASHER 4.8X8.4X0.8						1	
5		B1602481000A		FEED BAR						1	
6		B1604486000		FEED BAR SHAFT						1	
7		B1715481000		COUNTER-SUNK WASHER						1	
8		SS1080510SP		SCREW 1/8-44 L=5						1	
9		B16034860A0		FEED ROCKER ASM.						1	
10		NS6120310SP		NUT 3/16-28				*		1	
11		WP0480856SP		WASHER 4.8X8.4X0.8				*		1	
12		SS6121840SP		SCREW 3/16-28 L=18				*		1	
13		SS6090810SP		SCREW 9/64-40 L=7.5						2	
14		CQ303000000		OIL WICK						.3	
15		B1601555000		FEED ROCKER SHAFT						1	
16		40133994		FEED ROCKER SHAFT BUSHING						1	
17	R	CS1470712SH	CS1470710SH	THRUST COLLAR D=14.72 W=7						1	1.00
18		SS8110410TP		SCREW 11/64-40 L= 3.5						2	
19		22904155		MAIN SHAFT THRU-ST COLLAR ASM.						1	
20		SS8660610TP		SCREW 1/4-40 L=6				*		2	
21		CQ303000000		OIL WICK						.3	
22		B1702155000		BUSHING REAR						1	
23		RC0150001KP		RETAINING RING 13.8						1	
24	R	SS8150710SP	SS8150710TP	SCREW 15/64-28 L=7						1	1.00
25		B1701481000		FEED DRIVING SHAFT						1	
26		40133993		FEED ROCKER SHAFT BUSHING						1	
27		B41033520A0		FEED ROCKER SHAFT CRANK ASM.						1	
28		SS6621220SP		SCREW 3/16-32 L=12				*		2	
29		B1713380000A		FEED BAR LINK						1	
30		CS0640860SH		THRUST COLLAR ASM. D=6.35 W=8						1	
31	R	SS8110510SP	SS8110520TP	SCREW 11/64-40 L=5				*		2	1.00
32		CQ303000000		OIL WICK						.2	
33		40133993		FEED ROCKER SHAFT BUSHING						1	
34	R	SS8151150SP	SS8151150TP	SCREW 15/64-28 L=10.5						2	1.00
35		CQ303000000		OIL WICK						.2	
36		22904155		MAIN SHAFT THRU-ST COLLAR ASM.						1	
37		SS8660610TP		SCREW 1/4-40 L=6				*		2	
38		B1702155000		BUSHING REAR						1	
39	R	SS8150710SP	SS8150710TP	SCREW 15/64-28 L=7						1	1.00
40		B17031550A0		FEED DRIVING SHAFT CRANK ASM.						1	
41		SS6121610SP		SCREW 3/16-28 L=15.5				*		1	
42		B1708481000		FEED DRIVING SHAFT CONNECTING	SELECTIVE PARTS					1	
43	R	B171248100B	B171248100C	NEEDLE BEARING						1	1.00
44		SD1020701SP		HINGE SCREW D=10.2 H=7						1	

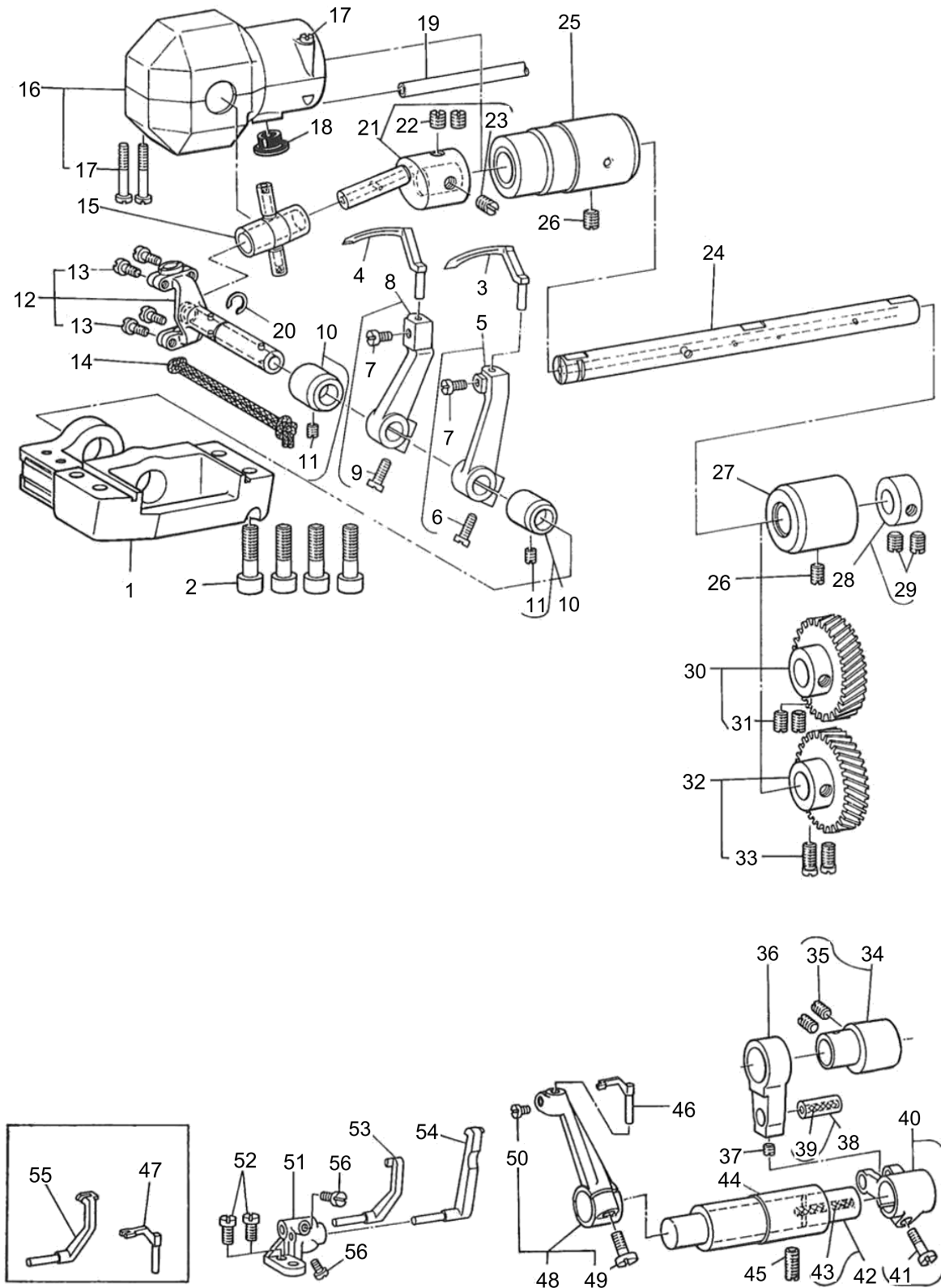
FEED MECHANISM COMPONENTS (2)



FEED MECHANISM COMPONENTS (2)

No.	Supply Code	Parts No.	Replacement	Parts name	Remarks	Choice	Step	Level	Cons	Qty	Rep. QTY
45		NS6680410SP		NUT 9/32-28						1	

LOOPER & NEEDLE GUARD COMPONENTS

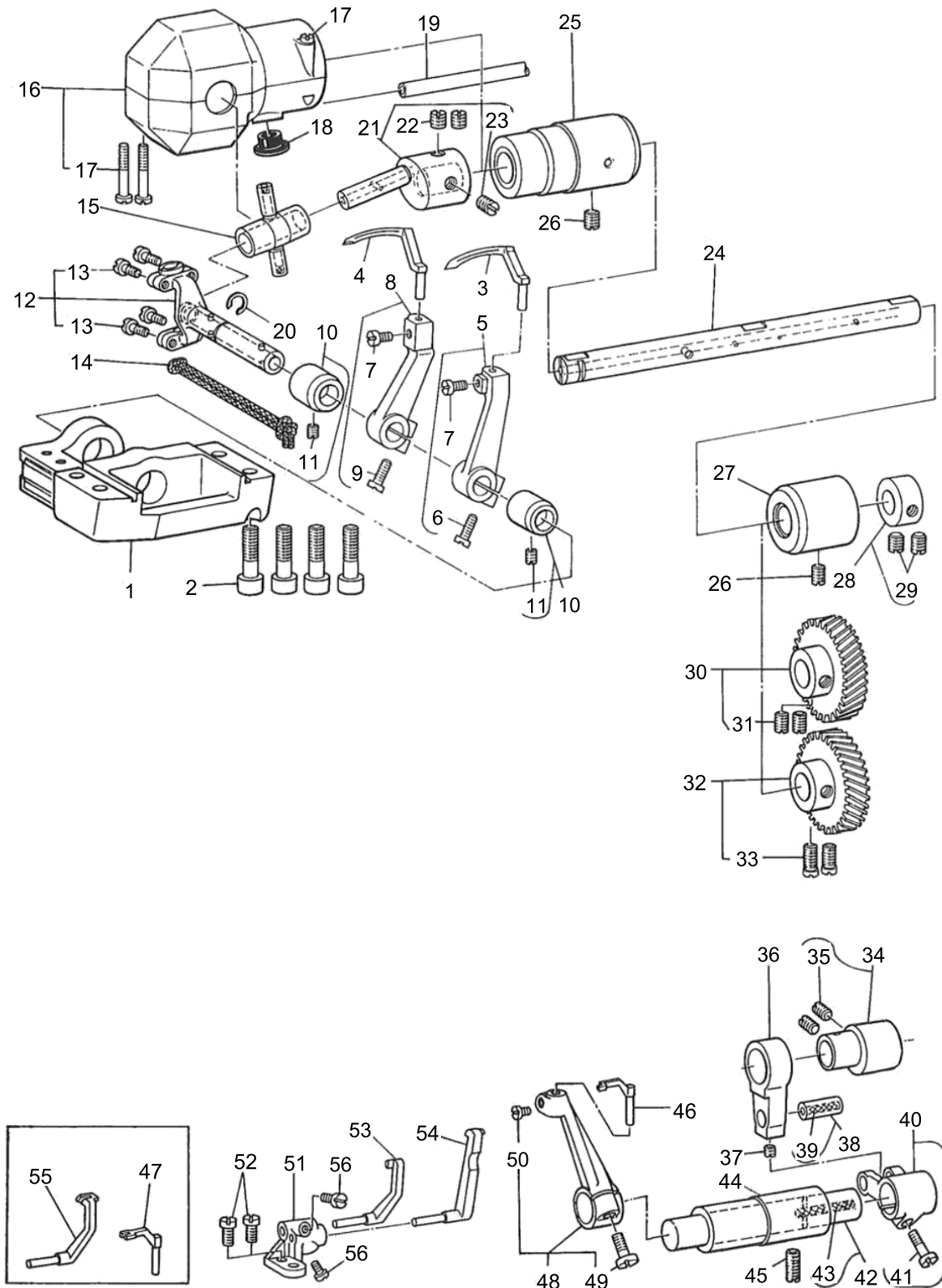


LOOPER & NEEDLE GUARD COMPONENTS

No.	Supply Code	Parts No.	Replacement	Parts name	Remarks	Choice	Step	Level	Cons	Qty	Rep. QTY
1		B2013481000A		LOOPER MOUNTING BASE						1	
2		SM6062002TP		SCREW M6 L=20						4	
3		B2030380000		LOOPER (LEFT)						1	
4		B2031380000		LOOPER (RIGHT)						1	
5		B20073800A0		LOOPER HOLDER ASM. LEFT						1	
6		SS6121610TP		SCREW 3/16-28 L=15.5				*		2	
7		SS7090520TP		SCREW 9/64-40 L=4.5						2	
8		B20063800A0		LOOPER HOLDER ASM. RIGHT						1	
9		SS6121610TP		SCREW 3/16-28 L=15.5				*		1	
10		B2012481000		BUSHING REAR						2	
11		SS8110410TP		SCREW 11/64-40 L= 3.5				*		2	
12		B20104810A0		LOOPER ROCKER SHAFT ASM.						1	
13		SS7090910TP		SCREW 9/64-40 L=8.5				*		4	
14		CQ252000000		OIL WICK						.2	
15	R	B2008481000	B20084810A0	TRUNNION						1	1.00
16		B20144810A0		LOOPER CRANK COVER ASM.						1	
17		SS6092120SP		SCREW 9/64-40 L=21.2				*		3	
18		TA1050504R0		RUBBER PLUG						1	
19		BT0500300EA		OIL TUBE						.1	
20		B2032481000		LOOPER DRIVING LINK SET RING						1	
21		B20053800A0		LOOPER CRANK ASM.						1	
22		SS8660810TP		SCREW 1/4-40 L=8				*		2	
23		B2007481000		LOOPER CRANK ADJUSTING SCREW				*		1	
24		B2001481000A		LOOPER CRANK DRIVING SHAFT						1	
25		B2002481000		BUSHING FRONT						1	
26	R	SS8150710SP	SS8150710TP	SCREW 15/64-28 L=7						2	1.00
27		B1803481000		BUSHING INTERMEDIATE						1	
28		CS111121ASH		THRUST COLLAR ASM. D=11.11 W=12						1	
29		SS8660810TP		SCREW 1/4-40 L=8				*		2	
30		B20044810A0		GEAR UPPER						1	
31		SS8660810TP		SCREW 1/4-40 L=8				*		2	
32		B20054810AB		GEAR LOWER						1	
33		SS6660610TP		SCREW 1/4-40 L=6				*		2	
34	D	B23013800A0		NEEDLE GUARD CAM ASM.						1	
35		SS8150710TP		SCREW 15/64-28 L=7				*		2	
36		B2302481000		NEEDLE GUARD CRANK ROD						1	
37		SS8110410TP		SCREW 11/64-40 L= 3.5						1	
38		B16104300A0		PIN ASM.						1	
39		CQ303000000		OIL WICK				*		0.1	
40		B23044810A0		REAR NEEDLE GUARD ROCKER FORK ASM.						1	
41		SS7111310TP		SCREW 11/64-40 L=12.8				*		1	
42		B23063800A0		NEEDLE GUARD DRIVING SHAFT ASM.						1	
43		CQ303000000		OIL WICK				*		0.1	
44		B2307481000		BUSHING						1	
45	R	SS8150710SP	SS8150710TP	SCREW 15/64-28 L=7						1	1.00



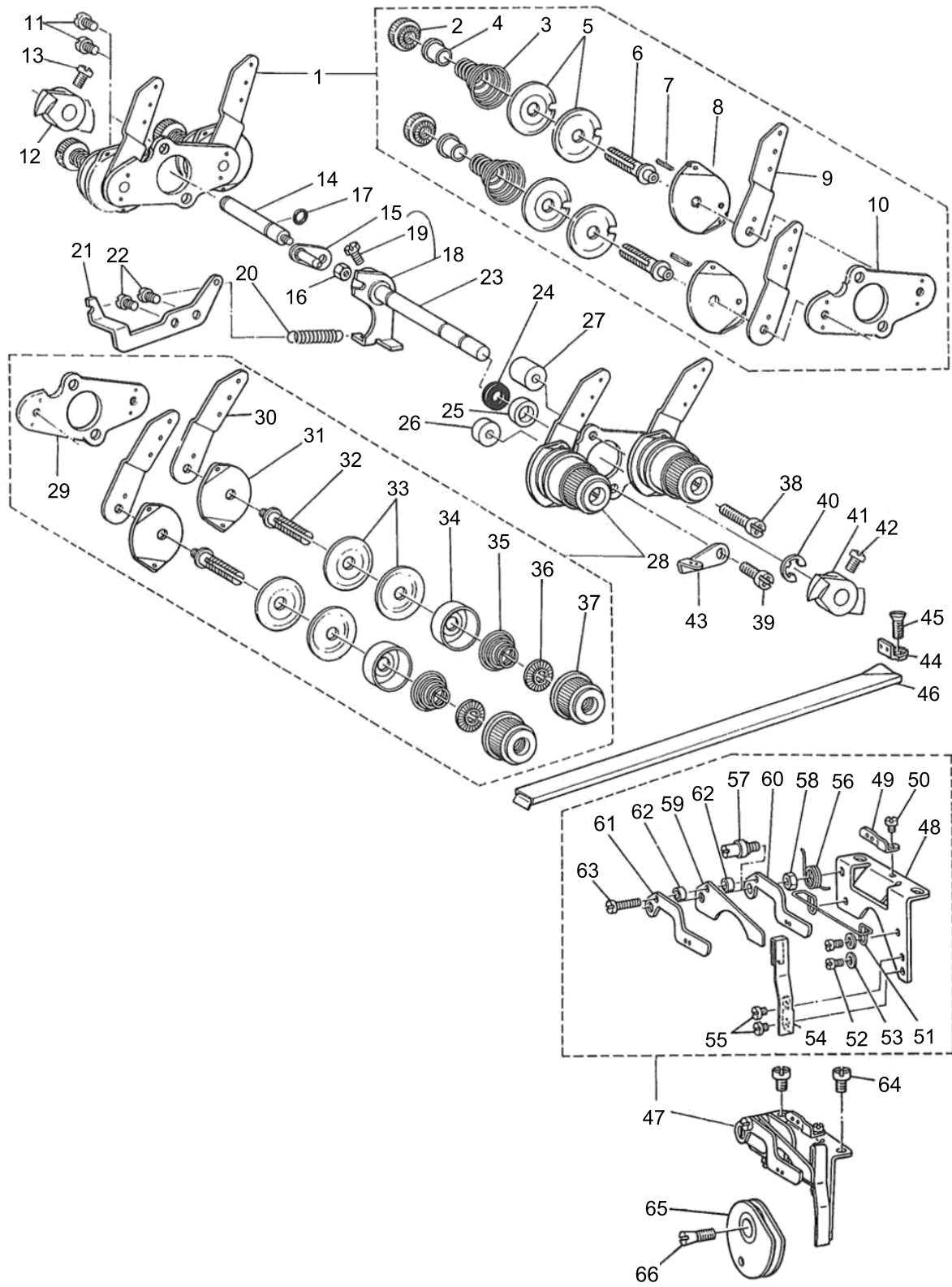
LOOPER & NEEDLE GUARD COMPONENTS



LOOPER & NEEDLE GUARD COMPONENTS

No.	Supply Code	Parts No.	Replacement	Parts name	Remarks	Choice	Step	Level	Cons	Qty	Rep. QTY
46		B2311380E00		REAR MOVING NEEDLE GUARD	FORMH-380					1	
47		B2311382000		NEEDLE GUARD	FORMH-382					1	
48		B23094810A0		REAR NEEDLE GUA- RDROCKERARMASM.						1	
49		SS6121220TP		SCREW 3/16-28 L=11.5				*		1	
50		SS7090910TP		SCREW 9/64-40 L=8.5				*		1	
51		B2313380000A		NEEDLE GUARD BASE						1	
52		SS7110710SP		SCREW 11/64-40 L=7						2	
53		B2312380000		LEFT FIX NEEDLE GUARD	FORMH-380					1	
54		B2315380000		RIGHT FIX NEEDLE GUARD	FORMH-380					1	
55		B2312382000		NEEDLE GUARD	FORMH-382					1	
56		SS6090510TP		SCREW 9/64-40 L=5.0						2	

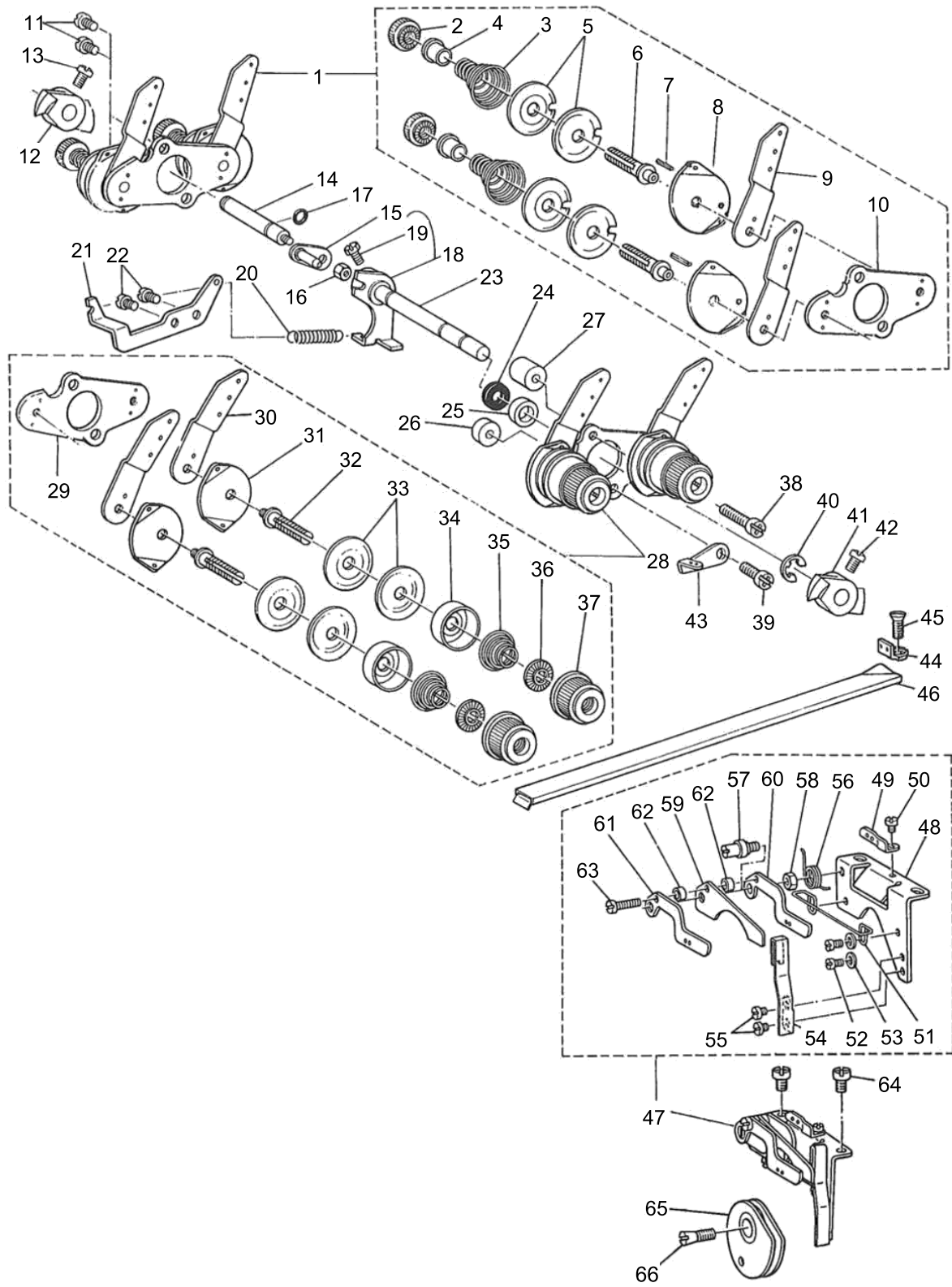
THREAD TENSION CONTROLLER COMPONENTS



THREAD TENSION CONTROLLER COMPONENTS

No.	Supply Code	Parts No.	Replacement	Parts name	Remarks	Choice	Step	Level	Cons	Qty	Rep. QTY
1		B3101380BA0		LOWER THREAD TENSION ASM.						1	
2		11072204		TENSION NUT				*		2	
3		B3106481000		LOOPER THREAD T- ENSION SPRING				*		2	
4		B3120125000		ROTATING STOPPER				*		2	
5		B3126352000		TENSION DISC				*		4	
6		B3104481000		LOOPER THREAD TENSION POST				*		2	
7		PS0200102KH		SPRING PIN 2.0 X 10				*		2	
8		B3106380000		THREAD GUIDE				*		2	
9		B3103481000		LOOPER THREAD T- ENSION CONTROL				*		2	
10		B3101380000		TENSION INSTALLING PLATE				*		2	
11		SS4110715SP		SCREW 11/64-40 L=7						2	
12		B3121380000		LOOPER THREAD R- ELEASE LATCH						1	
13		SS6110420TP		SCREW 11/64-40 L=4.8						1	
14		B3135481000		LOOPER THREAD RELEASE SHAFT						1	
15		D3136481CA0		TENSION RELEASE ARM ASM.						1	
16		NS6110310SP		NUT 11/64-40						1	
17		RO037180100		RUBBER RING						1	
18		D3130481CA0		TENSION RELEASE ARM ASM.						1	
19		SS6110710TP		SCREW 11/64-40 L= 6.5				*		1	
20		D3134481C00		SPRING						1	
21		D3133481C00		SUSPENSION BRACKET						1	
22		SS4110715SP		SCREW 11/64-40 L=7						2	
23		D3110481C00		TENSION RELEASE SHAFT						1	
24		B1522552000		OIL SEAL RING						1	
25		B3115481000		TENSION RELEASE SHAFT SPACER						1	
26		B3116481000		SPACER(A) FOR IN- STALLING PLATE						1	
27		B3117481000		SPACER(B) FOR IN- STALLING PLATE						1	
28		B3101380AA0		NEEDLE THREAD TENSION ASM.						1	
29		B3101380000		TENSION INSTALLING PLATE				*		1	
30		B3102481000		NEEDLE THREAD T- ENSION GUIDE PLATE				*		2	
31		B2306019000		TENSION THREAD GUIDE				*		2	
32		B3104481000		LOOPER THREAD TENSION POST				*		2	
33	R	B3126012000	22921506	THREAD TENSION DISK				*		4	1.00
34	R	B3107704000	13137609	TENSION DISC PRESSER TUBE				*		2	1.00
35		B3129012A00		TENSION SPRING				*		2	
36		B3120125000		ROTATING STOPPER				*		2	
37	R	B3119771000	13817408	THREAD TENSION NUT				*		2	1.00
38		SS4112515SP		SCREW 11/64-40 L=25						1	
39		SS4111415SP		SCREW 11/64-40 L=14						1	
40		RE0600000K0		E-RING 6						1	
41		B3120380000		NEEDLE THREAD RELEASE LATCH						1	
42		SS6110420TP		SCREW 11/64-40 L=4.8						1	
43		B3122481000		FRAME THREAD GUIDE						1	
44		B2201481000A		LOOPER THREAD GUIDE						1	

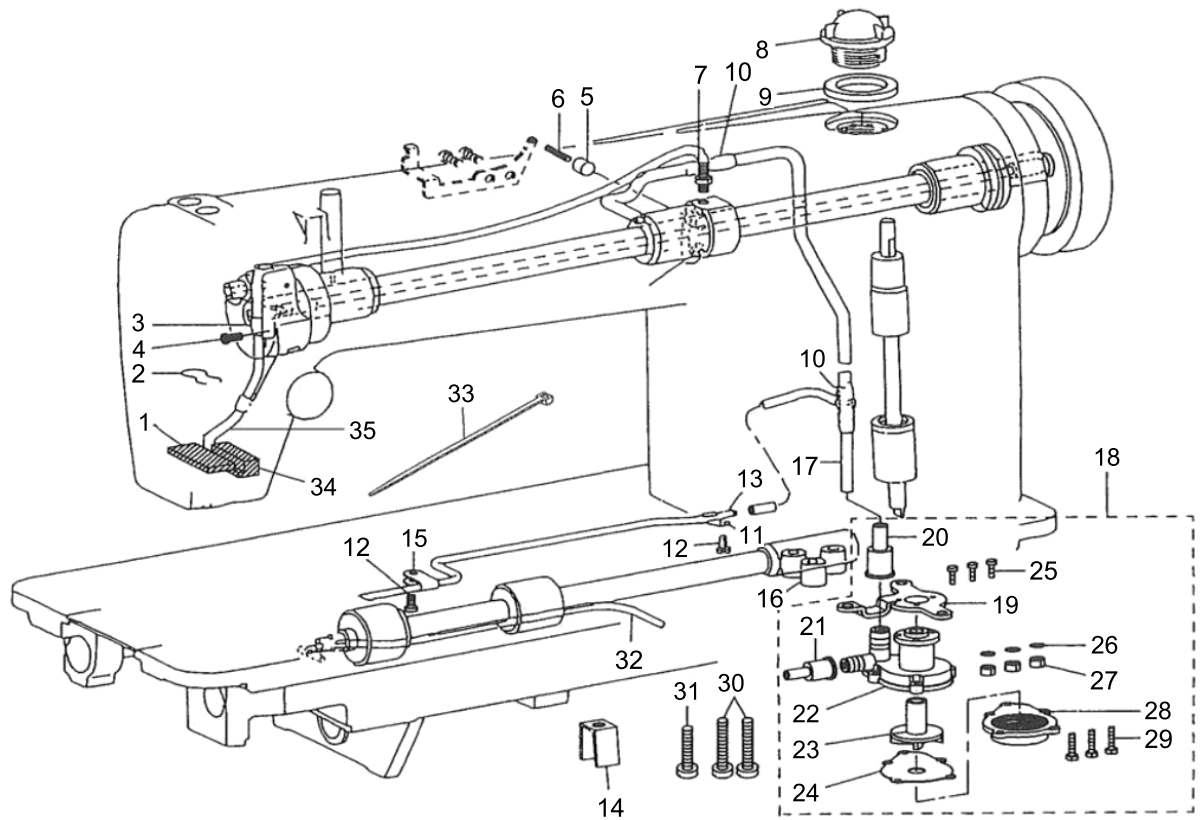
# THREAD TENSION CONTROLLER COMPONENTS



THREAD TENSION CONTROLLER COMPONENTS

No.	Supply Code	Parts No.	Replacement	Parts name	Remarks	Choice	Step	Level	Cons	Qty	Rep. QTY
45		SS1110710SP		SCREW 11/64-40 L=7						1	
46		B2202481000		LOOPER THREAD GUIDE TUBE						1	
47		B22104810A0		LOOPER THREAD GUIDE ASM.						1	
48		B2210481000		THREAD GUIDE PLATE				*		1	
49		B2203481000		LOOPER THREAD GUIDE(B)				*		1	
50		SS6080320SP		SCREW 1/8-44 L= 2.5				*		1	
51		B2218481000		CAST-OFF WIRE				*		1	
52		SS6080410SP		SCREW 1/8-44 L=4				*		2	
53		WP0371026SD		WASHER 3.7X7X1				*		2	
54		B2217481000		THREAD GUIDE STOPPER SPRING				*		1	
55		SS6080320SP		SCREW 1/8-44 L= 2.5				*		2	
56		B2216481000		THREAD GUIDE SPRING				*		1	
57		B2214481000		THREAD GUIDE STUD				*		1	
58		NS6110310SP		NUT 11/64-40				*		1	
59		B2213481000		CAST-OFF PLATE				*		1	
60		B2212481000		LOOPER THREAD GUIDE RIGHT				*		1	
61	R	B2211481000	D2211481D00	LOOPER THREAD GUIDE LEFT				*		1	1.00
62		B2215481000		COLLAR				*		2	
63		SS7081310SP		SCREW 1/8-44 L=12.5				*		1	
64		SS4110515SP		SCREW 11/64-40 L=5						2	
65	R	B2220481010	B22204810A0	LOOPER THREAD CAM ASM.						1	1.00
66		B2225481000		SCREW						1	

# OIL LUBRICATION MECHANISM COMPONENTS

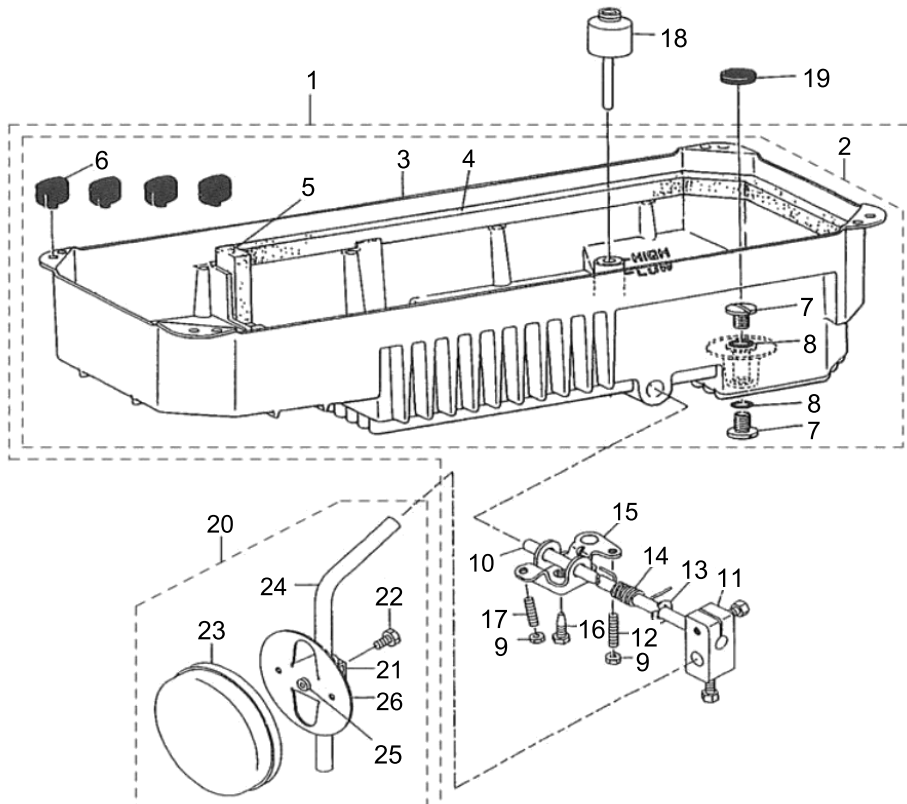


OIL LUBRICATION MECHANISM COMPONENTS

No.	Supply Code	Parts No.	Replacement	Parts name	Remarks	Choice	Step	Level	Cons	Qty	Rep. QTY
1		B3528552000		OIL RETURN FELT						1	
2		22925101		OIL FELT PRESSER						1	
3		D3536555B00		OIL RETURN TUBE PRESSER PLATE						1	
4		SS4110715SP		SCREW 11/64-40 L=7						1	
5		B3534155000		PLUNGER						1	
6		B1214038000		PLUNGER SPRING						1	
7		SQ1110401MZ		CONNECTING SCREW						2	
8	R	B3530555000	22924708	OIL SIGHT WINDOW						1	1.00
9		RO195240100		RUBBER RING						1	
10		B3527415000		RUBBER JOINT						2	
11	D	B2657771000		GUIDE						1	
12		SS4110715SP		SCREW 11/64-40 L=7						2	
13		B3553481000		GEAR OIL PIPE						1	
14		B3545122000		OIL GUARD						1	
15		B3554481000		HOLDER						1	
16		B3552481000		OIL PUMP INSTALLING COLLAR						3	
17		B3513481000A		UPPER SHAFT LUBRICATING PIPE						1	
18	R	B35015550A0	40020337	LUBRICATING OIL PUMP ASM.						1	1.00
19	R	B3503555000	40020337	OIL PUMP INSTALLING BASE				*		1	1.00
20	R	B3505555000	40020337	RUBBER JOINT				*		1	1.00
21	R	B3506555000	40020337	RUBBER JOINT				*		1	1.00
22	R	B3501555000	40020337	LUBRICATING OIL PUMP				*		1	1.00
23	R	B3507555000	40020337	OIL PUMP IMPELLER				*		1	1.00
24	R	B3508555000	40020337	OIL PUMP IMPELLER COVER				*		1	1.00
25		SM4031001SC		SCREW M3X0.5 L=10				*		3	
26		WT0320002KZ		WASHER				*		3	
27	D	NM60300000E		NUT M3X0.5				*		3	
28	R	B3502555000A	40020337	LUBRICATING OIL PUMP COVER				*		1	1.00
29		SE4301031SR		SCREW				*		5	
30		SS6123010SP		SCREW 3/16-28 L=30.0						2	
31		SS6122510SP		SCREW 3/16-28 L=25						1	
32		B3521481000A		LUBRICATING OIL PIPE						1	
33		EA9500B0000		CLIP CV-70S						1	
34		B3526226000		OIL SPONGE						1	
35		BP300000000		VINYL PIPE						.4	



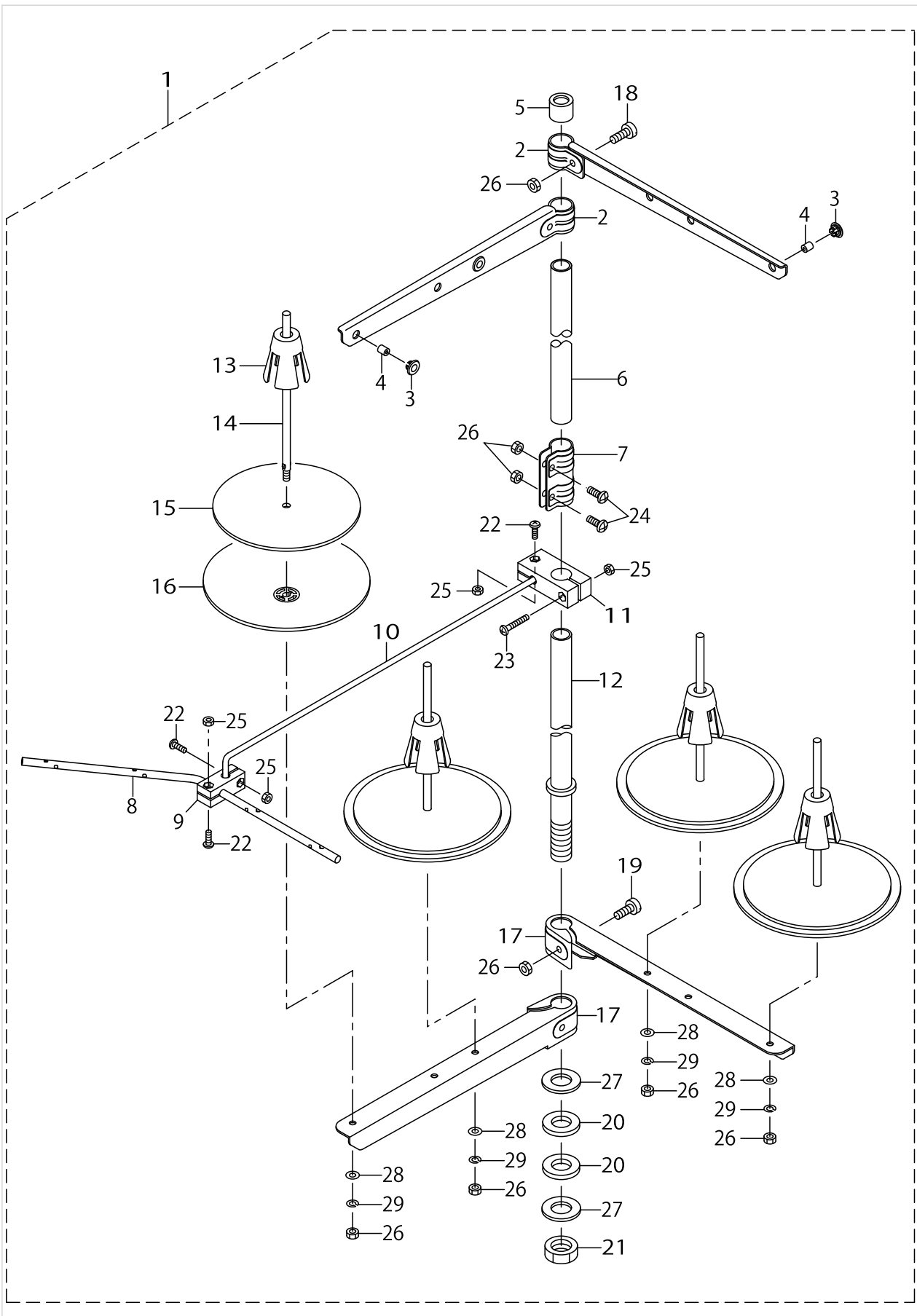
# OIL RESERVOIR & KNEE LIFTER COMPONENTS



OIL RESERVOIR & KNEE LIFTER COMPONENTS

No.	Supply Code	Parts No.	Replacement	Parts name	Remarks	Choice	Step	Level	Cons	Qty	Rep. QTY
1		B8217481AD0		OIL RESERVOIR ASM.						1	
2	R	B8217481AC0	B8217481AD0	OIL RESERVOIR ASM.				*		1	1.00
3	R	B8217481000	B8217481AD0	OIL RESERVOIR		B	B:	*		1	1.00
3	R	B8217481000	B8217481AD0	OIL RESERVOIR				*		1	1.00
4		B8235481000		GASKET A				*		2	
5		B8237481000		GASKET C				*		1	
6		D8227555E00		FELT CUSHION				*		4	
7		SS7701010SP		SCREW 5/16-24 L=10				*		2	
8		RO068190100		RUBBER RING				*		2	
9		NM6060001SE		NUT M6				*		2	
10		B3420555000		KNEE PRESS ROD				*		1	
11		22932453		BRACKET ASM.				*		1	
12		SM8063012TR		SCREW M6 L=30				*		1	
13		B3426552000		THRUST RING				*		1	
14	R	11024106	22932206	SPRING				*		1	1.00
15		B3425555000A		KNEE LIFTER ROTATION ARM				*		1	
16		SM9061853SR		SCREW M6 L=17.5				*		1	
17		SM8063012TR		SCREW M6 L=30				*		1	
18		B3421555000		KNEE PRESS LIFTER ROD						1	
19		B8228125000		OIL RESERVOIR MAGNET						1	
20		22934251		KNEE PAD PLATE ASM.						1	
21		22934301		KNEE PAD PLATE SUPPORT				*		1	
22		SM9061203SE		SCREW M6 L=12				*		1	
23		22934509		KNEE PAD PLATE COVER				*		1	
24		22934608		KNEE PAD UPRIGHT SHAFT				*		1	
25		22934400		KNEE PAD PLATE RUBBER				*		1	
26		22934202		KNEE PAD PLATE				*		1	

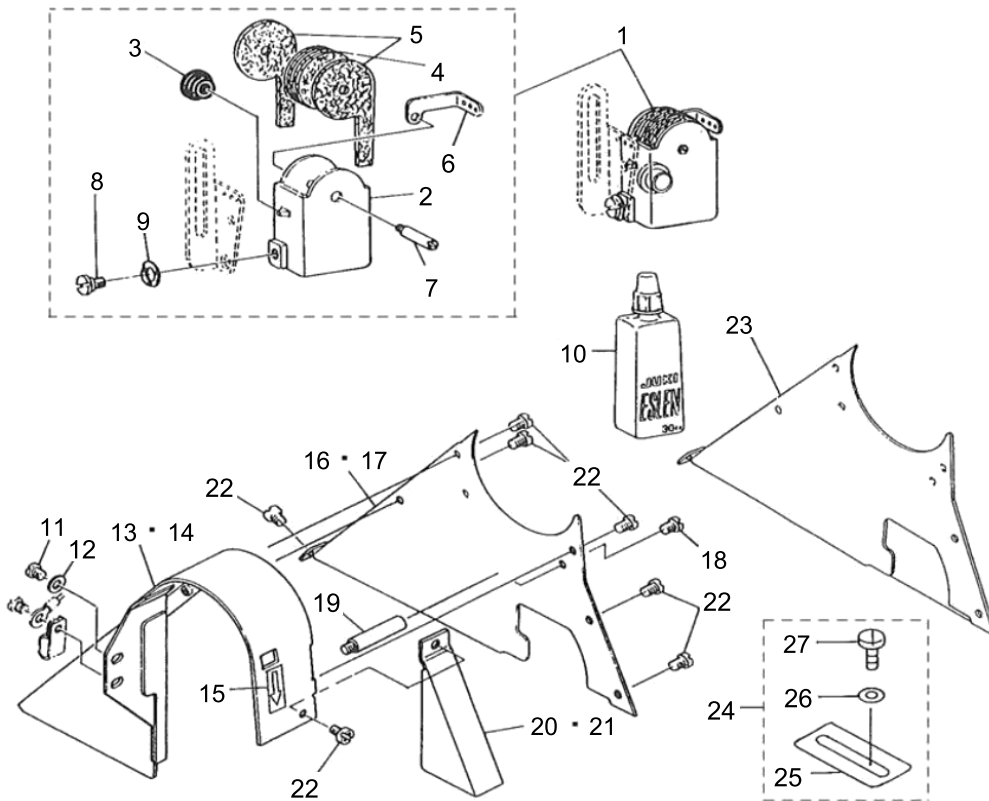
# THREAD STAND COMPONENTS



THREAD STAND COMPONENTS

No.	Supply Code	Parts No.	Replacement	Parts name	Remarks	Choice	Step	Level	Cons	Qty	Rep. QTY
1	R	40106590	40106584	THREAD STAND ASM.						1	1.00
2		40085787		SPOOL REST ARM UPPER				*		2	
3		40085795		THREAD GUIDE BUSHING				*		4	
4		40085794		THREAD GUIDE				*		4	
5		40085793		SPOOL REST ROD RUBBER CAP				*		1	
6		40085785		SPOOL REST ROD UPPER				*		1	
7		40085792		SPOOL REST ROD JOINT				*		1	
8		40106582		THREAD GUIDE 4				*		1	
9		40106580		THREAD GUIDE UNDER BASE				*		1	
10		40106576		THREAD GUIDE ARM				*		1	
11		40106579		THREAD GUIDE ARM BASE				*		1	
12		40085784		SPOOL REST ROD LOWER				*		1	
13		40085791		SPOOL RETAINER				*		4	
14		40085790		SPOOL PIN				*		4	
15		40085789		SPOOL REST CUSHION				*		4	
16		40085788		SPOOL REST				*		4	
17		40085786		SPOOL REST ARM LOWER				*		2	
18	R	40096327	SM4053001SE	SPOOL REST ARM UPPER SCREW				*		2	1.00
19		40096326		SPOOL REST ARM LOWER SCREW				*		2	
20		40085796		SPOOL REST ROD RUBBER CUSHION				*		2	
21		40096325		SPOOL REST ROD NUT				*		1	
22		SM4041201SC		SCREW M4 L=12				*		3	
23		SM4042501SC		SCREW M4X0.7 L=25				*		1	
24		SM4051405SE		SCREW M5 L=14				*		2	
25	R	NM6040002SC	NM6040002SE	NUT M4				*		4	1.00
26		NM6050001SE		NUT M5				*		10	
27		WP1612616SE		WASHER 16X30X2.6				*		2	
28		WP0531001SC		WASHER M5				*		4	
29		WS0510002KN		SPRING WASHER M5				*		4	

SILICON OIL LUBRICANT & BELT COVER COMPONENTS



SILICON OIL LUBRICANT & BELT COVER COMPONENTS

No.	Supply Code	Parts No.	Replacement	Parts name	Remarks	Choice	Step	Level	Cons	Qty	Rep. QTY
1		B11614810B0		SILICONE OIL LUBRICANT ASM.	SPECIAL ORDER PARTS					1	
2		B1161481000A		SILICON OIL CASE	SPECIAL ORDER PARTS			*		1	
3		TA1050504R0		RUBBER PLUG	SPECIAL ORDER PARTS			*		1	
4		B1162481000		SILICON OIL FELT	SPECIAL ORDER PARTS			*		5	
5		B1166481000		SILICON OIL FELT	SPECIAL ORDER PARTS			*		2	
6		B1167481000		SILICON THREAD GUIDE	SPECIAL ORDER PARTS			*		1	
7		B1168481000		SCREW	SPECIAL ORDER PARTS			*		1	
8		SD0640231SP		HINGE SCREW D= 6.35 H= 2.3	SPECIAL ORDER PARTS			*		1	
9		WZ0641510KP		WAVED WASHER 6.4X11X0.3	SPECIAL ORDER PARTS			*		1	
10		B91351230B0		SILICON OIL LUBRICANT ASM. (30CC)	SPECIAL ORDER PARTS					1	
11		SS4150915SP		SCREW 15/64-28 L=9						1	
12		WP0621016SD		WASHER 6.2X13X1						1	
13	D	D8230555E00		BELT COVER						1	
14		B82303800A0		BELT COVER	FOR URBAN WHITE					1	
15		CM500300001		DIRECTION LABEL	FOR URBAN WHITE					1	
16	D	D8231555E00		BELT COVER TOP						1	
17		D8231555E0B		BELT COVER TOP	FOR URBAN WHITE					1	
18		SS4110815SP		SCREW 11/64-40 L=8						1	
19		D8232555B00		BELT COVER SUPPORT						1	
20	D	D8232555E00		THREAD WINDER COVER						1	
21		D8232555E0A		BOBBIN WINDER COVER	FOR URBAN WHITE					1	
22		SS4110515SP		SCREW 11/64-40 L=5						7	
23		B8231380000		BELT COVER TOP	FOR JE & USE IN JAPAN					1	
24		10163152		BELT COVER SUPPORT PLATE ASM.	FOR JE					1	
25		10163103		BELT COVER SUPPORT PLATE				*		1	
26		WP0501016SC		WASHER 5X10.5X1				*		1	
27	R	SK3482500SC	SK3482501SE	WOOD SCREW D=4.8 L=25				*		1	1.00

TABLE OF EXCHANGING GAUGE SETS (1) FOR MH-380 & 382

MH-380










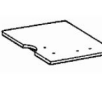
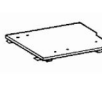

Description 品名	Throat plate	Needle clamp asn.	Presser foot asm. (with finger guard)	Feed dog	Rear moving needle guard	Right fix needle guard	Left needle guard
	衬板	针管(组)	压(脚)(指加片-组)	送牙脚	后侧针壳	右侧固定针壳	左侧固定针壳
	A	B	C	D	E	F	G
Gauge components ゲージ部品							
1/8" (3.2mm)	1 B1103-380-B00	B1406-019-BA0	B1509-038-BB0	B1613-380-B00	B2311-380-B00	B2315-380-000	B2312-380-000
5/32" (4.0mm)	2 B1103-380-C00	B1406-019-CA0	B1509-038-CB0	B1613-380-C00			
3/16" (4.8mm)	3 B1103-380-D00	B1406-019-DA0	B1509-038-DB0	B1613-380-D00			
7/32" (5.6mm)	4 B1103-380-E00	B1406-019-EA0	B1509-038-EB0	B1613-380-E00	B2311-380-E00		
1/4" (6.4mm)	5 B1103-380-F00	B1406-019-FA0	B1509-038-FB0	B1613-380-F00	B2311-380-H00		
5/16" (7.9mm)	6 B1103-380-H00	B1406-038-HA0	B1509-038-HB0	B1613-380-H00	B2311-380-K00		
3/8" (9.5mm)	7 B1103-380-K00	B1406-038-KA0	B1509-038-KB0	B1613-380-K00	B2311-380-L00		
1/2" (12.7mm)	8 B1103-380-L00	B1406-038-LA0	B1509-038-LBB	B1613-380-L00	B2311-380-L00		
MH-382	9 B1103-382-000	D1406-038-BA0	B1524-382-0B0	B1613-382-000	B2311-382-000	B2312-382-000	

TABLE OF EXCHANGING GAUGE SETS (2) FOR MH-380 & 382

MH - 380

Description 品名	Right looper	Left looper	Bed slide asm.	Cam cover asm.	Folder フォルダ
	右側ルーパー	左側ルーパー	滑り板(組)	カムカバー(組)	MH
Gauge components ゲージ関係	I	J	K	L	M
					
1/8" (3.2mm) 1	B2 030 -38 0-000	B203 1-38 0-0 00	B1104-380-A A0	B1108-380 -B A0	B91 26-038 -BAB
5/32" (4.0mm) 2					B91 26-038 -CAB
3/16" (4.8mm) 3					B91 26-038 -DAB
7/32" (5.6mm) 4					B91 26-038 -EAB
1/4" (6.4mm) 5					B91 26-038 -FAB
5/16" (7.9mm) 6					B91 26-038 -HAB
3/8" (9.5mm) 7					
1/2" (12.7mm) 8					
<b>MH-382</b>					
	9 B2 030 -38 0-000	B203 1-38 0-0 00	B1104-380-A 00	B1108-380 -B 00	

1 Size code サイズ記号

2 Folder code フォルダ記号

1/8" (3.2mm) =B	1/4" (6.4mm) =F	MH (For medium heavy weight materials 中厚物用) =B
5/32" (4.0mm) =C	5/16" (7.9mm) =H	
3/16" (4.8mm) =D	3/8" (9.5mm) =K	
7/32" (5.6mm) =E	1/2" (12.7mm) =L	





## HOW TO MAKE USE OF THIS PARTS LIST

### 1.Explanation of codes

1)"\*"mark.....means this part is changed from the previous parts book.

As to the details of the change, refer to the "List for information of change".

2)"#01".....refer to "Note" explanation at bottom of page.

### 2.Codes on the "Qty" column

- Each numeral indicates the number of parts required.
- "0.1" and "2.5" indicate the length (in meters) of the respective parts.

3.Parentheses mean that the corresponding part is a subpart that constructs an assembly part.

4.Dotted lines on the Figures indicate assembly parts.

### 1."注記"欄の記号説明

1) "\*"印.....前回のパーツブックに比較して今回変更された部品を意味します。

変更内容は、"変更情報リスト"を参照してください。

2) "#01".....ページ下の"注記"の説明を参照してください。

2.数量欄の数字は、個数を表し、0.1、2.5等の数値は、長さ（単位メートル）を表します。

3.数量欄の（ ）は、組部品を構成している子部品であることを意味します。

4.イラストページの-----枠は、組構成であることを意味します。

# NUMERICAL INDEX OF PARTS

PART NO	PAGE	REF NO.	PART NO	PAGE	REF NO.	PART NO	PAGE	REF NO.
10163103	36	25	40096326	34	19	B1132481000	2	8
10163152	36	24	40096327	34	18	B1134481000	2	34
10178705	10	11	40106576	34	10	B1135481000	2	35
11004207	12	48	40106579	34	11	B1161481000A	36	2
11024106	32	14	40106580	34	9	B11614810B0	36	1
11072204	26	2	40106582	34	8	B1162481000	36	4
22814909	12	53	40106590	34	1	B1166481000	36	5
22901409	6	21	40114236	2	1	B1167481000	36	6
22901805	4	76	40114880	14	8	B1168481000	36	7
22904155	18	36	40114881	16	50	B1201481000A	6	22
22906101	6	20	40114882	14	33	B1202481000	6	33
22907109	10	8	40114884	14	16	B1203481B00	6	34
22907406	10	14	40120458	14	19	B12064810A0	6	24
22907505	10	9	40133993	18	33	B12064810B0	6	25
22907604	10	10	40133994	18	16	B12135520A0A	8	46
22907703	10	13	40136256	14	38	B1214038000	30	6
22907802	12	63	40136257	14	30	B1217490000	8	44
22908909	12	62	B1103380F00	4	48	B121749000A	6	8
22912000	2	29	B1103382000	4	49	B1226552000	6	23
22912109	2	30	B1104380A00	4	59	B1301481000A	10	46
22925101	30	2	B1104380AA0	4	58	B1302552B00	12	47
22932453	32	11	B1105380000	4	64	B13050120A0	10	41
22934202	32	26	B1106122000	2	37	B13061550A0	10	45
22934251	32	20	B1106380000	4	65	B13061550B0	10	40
22934301	32	21	B1107380000	4	62	B13084810A0	10	44
22934400	32	25	B1107481000	4	56	B13084810B0	10	43
22934509	32	23	B1108380B00	4	52	B13084810C0	10	38
22934608	32	24	B1108380BA0	4	51	B1401380000	6	2
40040301	12	50	B1108481000	4	53	B1403380000	6	7
40082080	16	63	B1109481000	4	54	B1406019FA0	6	3
40082081	16	64	B1110481000A	2	39	B1408481000	6	30
40085784	34	12	B1111380000	2	44	B14114810A0	6	9
40085785	34	6	B11113800A0	2	43	B1414555000	6	11
40085786	34	17	B1111481000	2	40	B1419380000	6	6
40085787	34	2	B1112380000	2	45	B1501380000	10	7
40085788	34	16	B1112481000A	2	41	B1509038FB0	10	1
40085789	34	15	B1115380000	4	60	B1509555000	10	15
40085790	34	14	B1118481000	2	14	B1511555000	10	16
40085791	34	13	B111848100A	4	70	B1515552000	10	17
40085792	34	7	B1119481000	2	15	B1516552000	10	20
40085793	34	5	B112155200A	4	69	B1517552000	10	21
40085794	34	4	B1122552000	2	2	B15185550A0	10	25
40085795	34	3	B1130481000A	2	6	B1520552000A	10	28
40085796	34	20	B11304810A0	2	5	B1521555000	10	29
40096325	34	21	B1131481000	2	7	B1522552000	26	24

## NUMERICAL INDEX OF PARTS

PART NO	PAGE	REF NO.	PART NO	PAGE	REF NO.	PART NO	PAGE	REF NO.
B1523226000	10	23	B1813481000	12	60	B2302481000	22	36
B15243820B0	10	2	B19013800A0	6	14	B23044810A0	22	40
B15283800A0	10	3	B1901481000A	6	15	B2306019000	26	31
B1529380000	10	4	B19024810A0B	6	12	B23063800A0	22	42
B1601555000	18	15	B1903481000	2	24	B2307481000	22	44
B1602481000A	18	5	B1903552000	6	32	B23094810A0	24	48
B16034860A0	18	9	B1904481000	2	22	B2311380E00	24	46
B1604486000	18	6	B190448100A	4	71	B2311382000	24	47
B1606481000	14	43	B1905380000	2	27	B2312380000	24	53
B1607352000	12	51	B1905541B00	6	31	B2312382000	24	55
B1608481000	14	41	B1908481000A	6	16	B2313380000A	24	51
B16103800A0	14	12	B1909481000A	6	18	B2315380000	24	54
B16104300A0	22	38	B2001481000A	22	24	B2657771000	30	11
B1613380F00	18	1	B2002481000	22	25	B3101380000	26	29
B1613382000	18	2	B20044810A0	22	30	B3101380AA0	26	28
B1618161000	14	36	B20053800A0	22	21	B3101380BA0	26	1
B1619555000	14	34	B20054810AB	22	32	B3102481000	26	30
B1620481000	14	5	B20063800A0	22	8	B3103481000	26	9
B1621555000A	14	18	B20073800A0	22	5	B3104481000	26	32
B1622555000	14	6	B2007481000	22	23	B3106380000	26	8
B1623555000A	14	1	B2008481000	22	15	B3106481000	26	3
B1623555A00	14	28	B20104810A0	22	12	B3107704000	26	34
B1624380000	16	53	B2012481000	22	10	B3115481000	26	25
B162438000A	14	29	B2013481000A	22	1	B3116481000	26	26
B1626555000	14	9	B20144810A0	22	16	B3117481000	26	27
B1628555000	14	24	B2030380000	22	3	B3119771000	26	37
B1630555000	16	46	B2031380000	22	4	B3120125000	26	36
B1633555000	14	39	B2032481000	22	20	B3120380000	26	41
B1634555000B	14	3	B2201481000A	26	44	B3121380000	26	12
B1636555000	14	26	B2202481000	28	46	B3122481000	2	20
B1636581B00	14	17	B2203481000	28	49	B3122481000	26	43
B1646555000	14	25	B2210481000	28	48	B3126012000	26	33
B1660380000	16	59	B22104810A0	28	47	B3126352000	26	5
B1661481000	16	60	B2211481000	28	61	B3129012A00	26	35
B1662481000	16	61	B2212481000	28	60	B3135481000	26	14
B1701481000	18	25	B2213481000	28	59	B3412415000	10	30
B1702155000	18	38	B2214481000	28	57	B3414415000A	10	33
B17031550A0	18	40	B2215481000	28	62	B3415481000	10	36
B1708481000	18	42	B2216481000	28	56	B3416415000A	10	34
B171248100B	18	43	B2217481000	28	54	B3416552000	10	31
B1713380000A	18	29	B2218481000	28	51	B3420555000	32	10
B1715481000	18	7	B2220481010	28	65	B3421555000	32	18
B1802481000	12	58	B2225481000	28	66	B3425555000A	32	15
B1803481000	12	56	B2226481000	12	61	B3426552000	32	13
B1803481000	22	27	B23013800A0	22	34	B3431581000	10	22

# NUMERICAL INDEX OF PARTS

PART NO	PAGE	REF NO.	PART NO	PAGE	REF NO.	PART NO	PAGE	REF NO.
B3501555000	30	22	D1208555D00	8	43	RO074240100	14	4
B35015550A0	30	18	D1230555B00	6	40	RO195240100	30	9
B3502555000A	30	28	D1230555B00	8	40	SD0500401SP	16	47
B3503555000	30	19	D1231555B00	8	41	SD0600322SD	10	35
B3505555000	30	20	D1232555B00	8	42	SD0630275SP	10	18
B3506555000	30	21	D1406038BA0	6	5	SD0630301SP	10	19
B3507555000	30	23	D1910481C00	6	17	SD0640231SP	36	8
B3508555000	30	24	D3110481C00	26	23	SD1020701SP	14	44
B3513481000A	30	17	D3111481CA0	2	16	SD1020701SP	18	44
B3521481000A	30	32	D3130481CA0	26	18	SE4301031SR	30	29
B3526226000	30	34	D3133481C00	26	21	SK3482500SC	36	27
B3527415000	30	10	D3134481C00	26	20	SM4031001SC	30	25
B3528552000	30	1	D3136481CA0	26	15	SM4041201SC	34	22
B3530555000	30	8	D3536555B00	30	3	SM4042501SC	34	23
B3534012000	2	18	D8227555E00	32	6	SM4051405SE	34	24
B3534155000	30	5	D8230555E00	36	13	SM6062002TP	22	2
B3545122000	30	14	D8231555E00	36	16	SM8063012TR	32	17
B3552481000	30	16	D8231555E0B	36	17	SM9061203SE	32	22
B3553481000	30	13	D8232555B00	36	19	SM9061853SR	32	16
B3554481000	30	15	D8232555E00	36	20	SQ1110401MZ	30	7
B41033520A0	18	27	D8232555E0A	36	21	SS1080510SP	18	8
B8217481000	32	3	EA9500B0000	30	33	SS1110710SP	28	45
B8217481AC0	32	2	MTV700B1400	6	1	SS2090710TP	14	13
B8217481AD0	32	1	NM60300000E	30	27	SS2110920TP	4	50
B8228125000	32	19	NM6040002SC	34	25	SS2110930SP	14	14
B82303800A0	36	14	NM6050001SE	34	26	SS4080415SP	4	66
B8231380000	36	23	NM6060001SE	32	9	SS4110515SP	2	67
B8235481000	32	4	NS6110310SP	26	58	SS4110515SP	4	67
B8237481000	32	5	NS6110310SP	28	58	SS4110515SP	28	64
B91351230B0	36	10	NS6120310SP	16	49	SS4110515SP	36	22
BP300000000	30	35	NS6120310SP	18	10	SS4110715SP	26	22
BT0500300EA	22	19	NS6150430SP	16	62	SS4110715SP	30	12
CM300200001	4	75	NS6620310SP	10	37	SS4110815SP	2	19
CM301200001	4	74	NS6680320SP	16	45	SS4110815SP	36	18
CM500300001	36	15	NS6680410SP	20	45	SS4111015SP	2	3
CQ252000000	22	14	PS0200102KH	26	7	SS4111415SP	26	39
CQ303000000	18	35	RC0150001KP	18	23	SS4112515SP	26	38
CQ303000000	22	43	RE0500000K0	10	32	SS4150915SP	36	11
CS0640860SH	18	30	RE0600000K0	10	24	SS5060310SP	10	5
CS111121ASH	12	54	RE0600000K0	26	40	SS6060210SP	4	61
CS111121ASH	22	28	RO037180100	10	26	SS6060220SP	4	46
CS1470712SH	18	17	RO037180100	26	17	SS6060340SP	4	63
CS147121ESH	6	36	RO044240100	6	29	SS6080320SP	2	42
D1204555D00	6	39	RO068190100	32	8	SS6080320SP	28	55
D1204555DA0	6	38	RO069180100	16	56	SS6080410SP	28	52

## NUMERICAL INDEX OF PARTS

PART NO	PAGE	REF NO.	PART NO	PAGE	REF NO.
SS6090510TP	24	56	SS8150710SP	14	52
SS6090630SP	2	17	SS8150710SP	16	52
SS6090670TP	6	19	SS8150710SP	18	39
SS6090810SP	18	13	SS8150710SP	22	45
SS6091210TP	6	13	SS8150710TP	6	26
SS6092120SP	22	17	SS8150710TP	22	35
SS6110420TP	26	42	SS8151150SP	12	59
SS6110710TP	26	19	SS8151150SP	18	34
SS6120930SP	14	2	SS8151550SP	8	45
SS6121210SP	14	51	SS8620610SP	14	32
SS6121210SP	16	51	SS8660610TP	10	12
SS6121220TP	24	49	SS8660610TP	18	37
SS6121610SP	18	41	SS8660810TP	6	37
SS6121610TP	14	42	SS8660810TP	10	55
SS6121610TP	22	9	SS8660810TP	12	55
SS6121840SP	18	12	SS8660810TP	16	55
SS6122510SP	30	31	SS8660810TP	22	31
SS6123010SP	30	30	SS8661040TP	16	54
SS6621220SP	18	28	SS8681650TP	6	28
SS6660610TP	22	33	SS9151120CP	2	38
SS6661110SP	14	15	TA0750704R0	2	12
SS7081310SP	28	63	TA1050504R0	2	13
SS7090520TP	22	7	TA1050504R0	22	18
SS7090910TP	22	50	TA1050504R0	36	3
SS7090910TP	24	50	TA1250406R0	2	4
SS7091110TP	10	6	TA1250705R0	2	11
SS7110510SP	2	36	TA1750502R0	4	68
SS7110710SP	14	11	TA2050406R0	4	72
SS7110710SP	24	52	TA2101002R0	2	31
SS7110910SP	14	22	TA2351004R0	2	33
SS7111120SP	14	35	TA2351305R0	2	32
SS7111260SP	14	40	WP0371026SD	28	53
SS7111310TP	22	41	WP0480856SP	2	26
SS7111410TP	18	3	WP0480856SP	18	11
SS7151120SP	6	35	WP0501016SC	36	26
SS7620750SP	14	23	WP0531001SC	34	28
SS7681650TP	6	27	WP0621016SD	14	31
SS7701010SP	32	7	WP0621016SD	36	12
SS8090540SP	16	57	WP0740516SP	10	27
SS8110310SP	6	4	WP1612616SE	34	27
SS8110410TP	18	18	WS0510002KN	34	29
SS8110410TP	22	37	WT0320002KZ	30	26
SS8110510SP	14	10	WZ0541510KP	16	48
SS8110510SP	18	31	WZ0641510KP	36	9
SS8150310SP	4	47	WZ1052010KP	16	58