

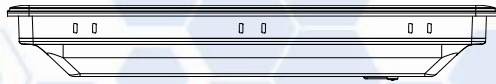


## HMI with 12.1" XVGA TFT Display

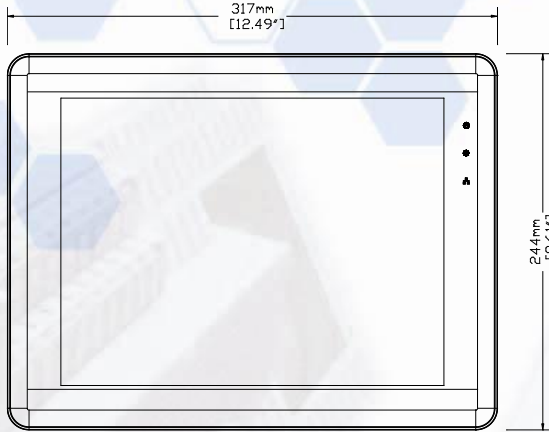
### Features

- Aluminum Housing and Brand-new Color & Design
- 12.1" 1024x768 TFT Industrial Grade LCD
- Fan-less Cooling System
- Built- in 256MB Flash Memory and RTC
- NEMA4/IP66 Compliant Front Panel
- Long Life LED Back Light with Ceramics Package
- SD Card Slot Supports SD/SDHC Cards
- Power Isolator Inside
- CAN Bus Device Supported
- Com1 / Com3 RS485 & CAN Bus Built-in Isolation
- Support Windows CE 6.0

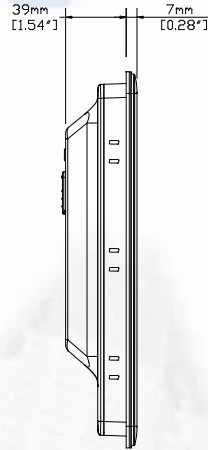
<b>Display</b>	Display	12.1" TFT
	Resolution	1024 x 768
	Brightness (cd/m <sup>2</sup> )	500
	Contrast Ratio	700:1
	Backlight Type	LED
	Backlight Life Time	50,000 hr.
	Colors	16.2M
<b>Touch Panel</b>	Type	4-wire Resistive Type
	Accuracy	Active Area Length(X)±2%, Width(Y)±2%
<b>Memory</b>	Storage(MB)	256
	RAM (MB)	256
<b>Processor</b>		32Bit RISC CPU 800MHz
<b>I/O Port</b>	SD Card Slot	SD/SDHC
	USB Host	USB 2.0 x 1
	USB Client	USB 2.0 x 1
	Ethernet	10/100 Base-T
	COM Port	COM1 (RS-232/RS-485 2W/4W), COM3(RS-232/RS-485 2W),CAN Bus
	Audio	Audio Line Out – 3.5 mm jack x 1
<b>RTC</b>		Yes
<b>Power</b>	Input Power	24±20%VDC
	Power Consumption	850m A@24V
	Power Isolation	Built In
	Voltage Resistance	500VAC (1 min)
	Isolation Resistance	Exceed 50MΩ at 500VDC
	Vibration Endurance	10 to 25Hz(X,Y,Z direction 2G 30 minutes)
<b>Specification</b>	Enclosure	Aluminum
	Dimensions WxHxD	317 x 244 x 46mm
	Panel Cutout (mm)	305 x 231
	Weight (kg)	Approx. 2.1 kg
<b>Environment</b>	Protection Structure	IP66 front panel (O ring seal)
	Storage Temperature	-20° ~ 70°C (-4° ~ 158°F)
	Operating Temperature	0° ~ 50°C (32° ~ 122°F)
	Relative Humidity	10% ~ 90% RH (non-condensing)
<b>CE</b>		EN55022 : 2006+A1 : 2007 EN61000-3-2 : 2006+A2: 2009 EN61000-3-3 : 2008 EN55024 : 1998 + A1: 2001+A2 : 2003
<b>UL</b>		UL508 Type 1, NEMA 4
<b>Software</b>		Windows CE 6.0 OS



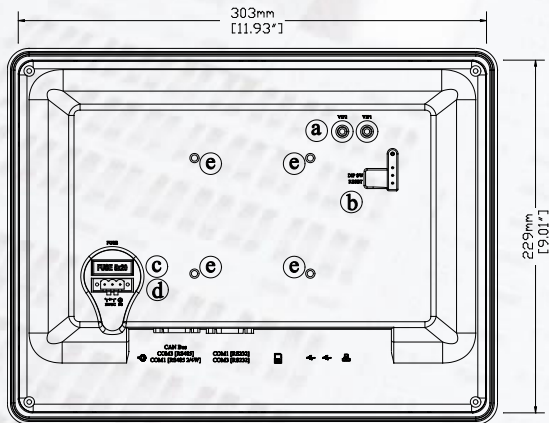
Top View



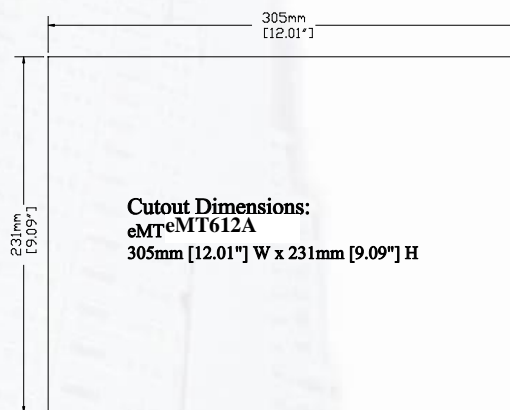
Front View



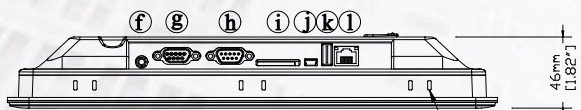
Side View



Rear View



**Cutout Dimensions:**  
eMT612A  
305mm [12.01"] W x 231mm [9.09"] H



Bottom View

Panel-mounting clamp slots, 12 places

### Ordering Information

**□ eMT612A**

12.1" TFT LCD HMI, 256MB flash memory/  
256MB RAM on board,

**□ FLZ485000**

Multi-Connector cable Com1[485]/Com3[485]/  
CAN Bus

**□ FLZ232000**

Multi-Connector cable Com1[232]/Com3[232]

a	N/A	g	Com1 RS485, Com3 RS485, CAN Bus
b	DIP SW & Reset Button	h	Com1 RS232, Com3 RS232
c	Fuse	i	SD CARD SLOT
d	Power Connector	j	USB Client port
e	VESA 75mm Screw Holes	k	USB Host port
f	Line Out	l	Ethernet Port

Contact: WEINTEK LABS., INC. TEL: +886-2-22286770 Web: www.weintek.com

eMT612A\_DataSheet\_120920