

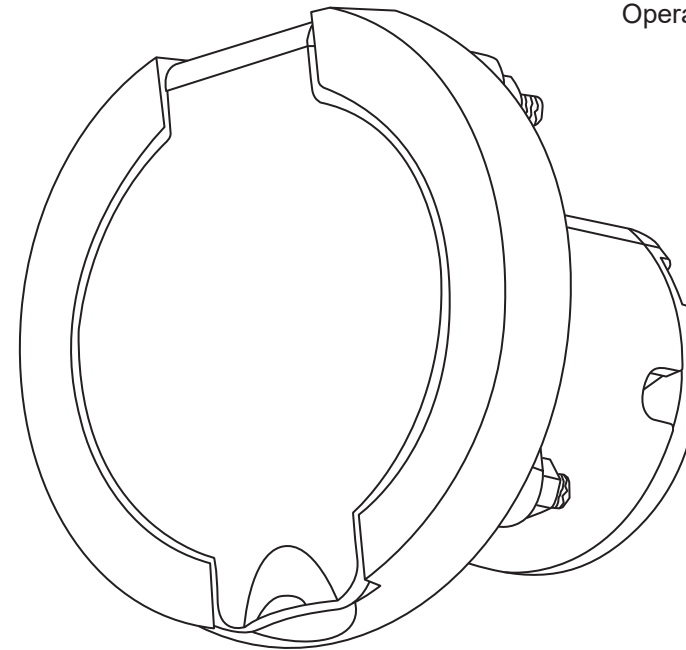
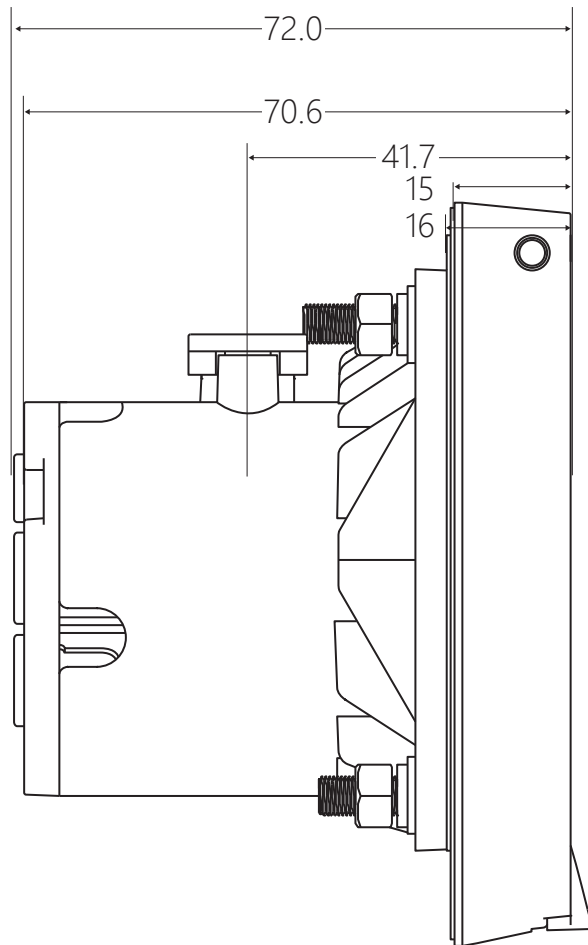
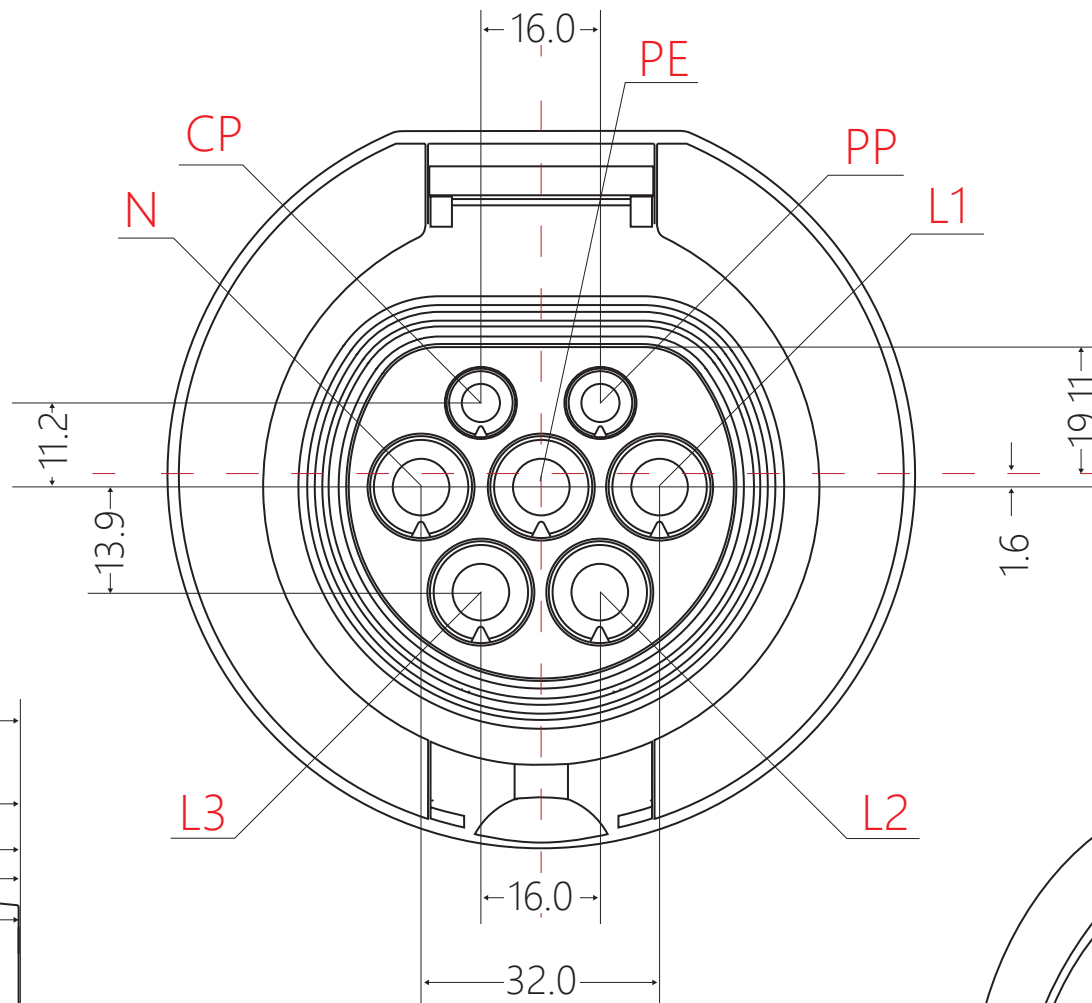
Type 2/IEC 62196-2 charging outlet

ITEM NO.: BS-EVSC003-3P(32A Max)

STANDARDS/DIRECTIVES: IEC 62196-2

REVISIONS

REV.	DESCRIPTION	DATE
A	Specifications	2024/2/20
B		



SPECIFICATIONS

Rated Voltage: 400V±10% 50HZ±10%
 Rated Current: 32A Max
 Phase Mode: Three phase
 Insulation Resistance: >1000MΩ
 Terminal Temperature: <50K
 Withstand Voltage: 2000V
 Contact Impedance: 0.5MΩ Max
 IP Rating: IP55
 Shell Material: Reinforced Flame-Resistant Nylon
 Flammability Rating: UL94V-0
 Terminal Material: Nickel-Plated Copper Alloys
 Sealing Material: Rubber, Silica Gel
 Mechanical Property: No-load Insertion/Extraction Cycle >10,000 times
 Coupling Force: <80N
 Operating Temperature: -30°C ~ +50°C

Type 2/IEC 62196-2 charging outlet

CP	(0.75mm ²)	BLACK
PP	(0.75mm ²)	GRAY
PE	(6mm ²)	GREEN&YELLOW
N	(6mm ²)	BLUE
L1	(6mm ²)	BROWN
L2	(6mm ²)	BLACK
L3	(6mm ²)	GRAY

		SIGNATURE		BESEN INTERNATIONAL GROUP	
SAFETY ENGINEER					
MANAGER BY:				ITEM NO.: BS-EVSC003-3P (32A Max)	DATE: 2024/2/20
CHECKED BY:				UNIT: mm	SHEET: 1 OF 1
DRAWN BY:				REV.	

ITEM	DESCRIPTION	DEFAULT COLOR	CUSTOMIZED COLOR
①	Type 2/IEC 62196-2 charging outlet	BLACK	NO
②	Wire (Optional)	BLACK	AVAILABLE