

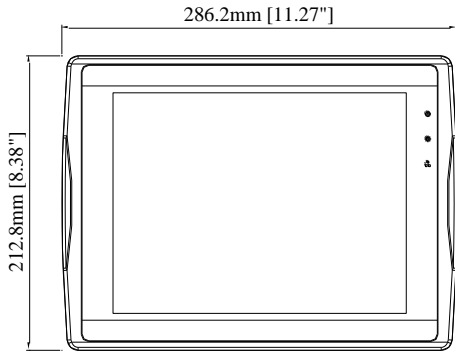


### Feature

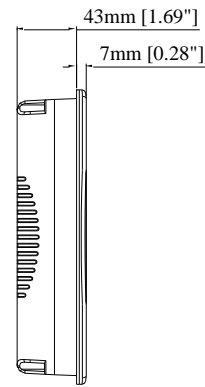
- 10.4" 800 x 600 TFT LCD, LED Backlight
- Fan-less Cooling System
- Built-in 256 MB Flash Memory and RTC
- SD Card Slot for Extension of Storage
- One USB Host Port and One USB Client Port
- COM1 and COM3 RS-485 & CAN Bus Built-in Isolation
- COM1 and COM3 RS-485 2W supports MPI 187.5K, please use one at one time.
- CAN Bus port supports CANopen Protocol
- Built-in Power Isolator
- NEMA4 / IP65 Compliant Front Panel

|               |                                 |   |
|---------------|---------------------------------|---|
| Display       | Display                         | 10.4" TFT   |
|               | Resolution                      | 800 x 600   |
|               | Brightness (cd/m <sup>2</sup> ) | 400   |
|               | Contrast Ratio                  | 400:1   |
|               | Backlight Type                  | LED   |
|               | Backlight Life Time             | >30,000 hrs.  |
|               | Colors                          | 262K  |
| Touch Panel   | Type                            | 4-wire Resistive Type   |
|               | Accuracy                        | Active Area Length(X)±2%, Width(Y)±2%                             |
| Memory        | Flash                           | 256 MB  |
|               | RAM                             | 256 MB  |
| Processor     |                                 | 32 bit RISC CPU 800MHz  |
| I/O Port      | SD Card Slot                    | SD/SDHC   |
|               | USB Host                        | USB 2.0 x 1   |
|               | USB Client                      | USB 2.0 x 1   |
|               | Ethernet                        | 10/100 Base-T x 1   |
|               | COM Port                        | COM1: RS-232/RS-485 2W/4W<br>COM3: RS-232/RS-485 2W*              |
|               | RS-485 Dual Isolation           | Yes   |
|               | CAN Bus                         | Yes   |
|               | HDMI                            | N/A   |
|               | Audio Output                    | Audio Line Out - 3.5 mm jack x 1                                  |
| RTC           | Video Input                     | N/A   |
|               |                                 | Built-in  |
| Power         | Input Power                     | 24±20%VDC   |
|               | Power Isolation                 | Built-in  |
|               | Power Consumption               | 800m A@24VDC  |
|               | Voltage Resistance              | 500VAC (1 min.)   |
|               | Isolation Resistance            | Exceed 50MΩ at 500VDC   |
|               | Vibration Endurance             | 10 to 25Hz (X, Y, Z direction 2G 30 minutes)                      |
| Specification | PCB Coating                     | Yes   |
|               | Enclosure                       | Plastic   |
|               | Dimensions WxHxD                | 286.2 x 212.8 x 50 mm   |
|               | Panel Cutout                    | 259 x 201 mm  |
|               | Weight                          | Approx. 1.6 kg  |
|               | Mount                           | Panel mount, VESA mount 75 x 75 mm                                |
| Environment   | Protection Structure            | UL Type 4X (indoor use only) / NEMA4 / IP65 Compliant Front Panel |
|               | Storage Temperature             | -20° ~ 60°C (-4° ~ 140°F)   |
|               | Operating Temperature           | 0° ~ 50°C (32° ~ 122°F)   |
|               | Relative Humidity               | 10% ~ 90% (non-condensing)  |
| Certificate   | CE                              | CE marked   |
|               | UL                              | cULus Listed  |
| Software      |                                 | EasyBuilder Pro   |

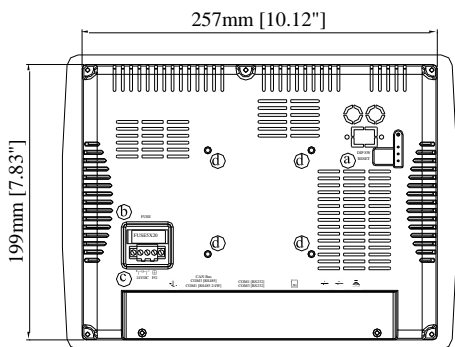
\*Note: COM1 RS-232 RTS/CTS and COM3 RS-232 cannot be used simultaneously.



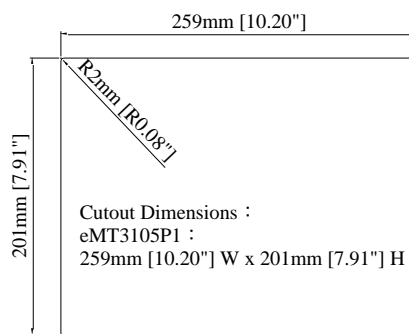
Front View



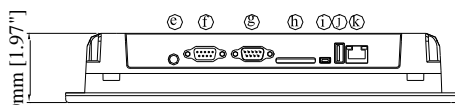
Side View



Rear View



Cutout Dimensions :  
eMT3105P1 :  
259mm [10.20"] W x 201mm [7.91"] H



Bottom View

|          |                                       |          |                          |
|----------|---------------------------------------|----------|--------------------------|
| <b>a</b> | DIP SW & Reset Button                 | <b>g</b> | COM1 RS-232, COM3 RS-232 |
| <b>b</b> | Fuse                                  | <b>h</b> | SD Card Slot             |
| <b>c</b> | Power Connector                       | <b>i</b> | USB Client Port          |
| <b>d</b> | VESA 75 mm Screw Holes                | <b>j</b> | USB Host Port            |
| <b>e</b> | Line Out                              | <b>k</b> | Ethernet Port            |
| <b>f</b> | COM1 RS-485<br>COM3 RS-485<br>CAN Bus |          |                          |

**Pin Assignment:**

**COM1 / COM3 [RS232] 9 Pin, Male, D-sub**

| PIN# | Symbol   | COM1 [RS232]     | COM3 [RS232]     |
|------|----------|------------------|------------------|
| 1    | Not used |                  |                  |
| 2    | RxD      | Received Data    |                  |
| 3    | TxD      | Transmitted Data |                  |
| 4    | Not used |                  |                  |
| 5    | GND      | Ground           |                  |
| 6    | Not used |                  |                  |
| 7    | RTS      | Ready to send    | Transmitted Data |
| 8    | CTS      | Clear to send    | Received Data    |
| 9    | Not used |                  |                  |

## Ordering Information

**□ eMT3105P**

10.4" TFT LCD HMI, 256 MB flash memory / 256 MB RAM on board

**□ FLZ485000**

Multi-Connector cable COM1[485]/COM3[485]/CAN Bus

**□ FLZ232000**

Multi-Connector cable COM1[232]/ COM3[232]

**COM1 / COM3 [RS485] / CAN Bus 9 Pin, Female, D-sub**

| PIN# | Symbol | Com1 [RS485]2w | Com1 [RS485]4w | Com3 [RS485] | CAN Bus |
|------|--------|----------------|----------------|--------------|---------|
| 1    | Rx-    | Data-          | Rx-            |              |         |
| 2    | Rx+    | Data+          | Rx+            |              |         |
| 3    | Tx-    |                | Tx-            |              |         |
| 4    | Tx+    |                | Tx+            |              |         |
| 5    | GND    | Ground         |                |              |         |
| 6    | Data-  |                |                | Data-        |         |
| 7    | CAN_L  |                |                |              | CAN_L   |
| 8    | CAN_H  |                |                |              | CAN_H   |
| 9    | Data+  |                |                | Data+        |         |