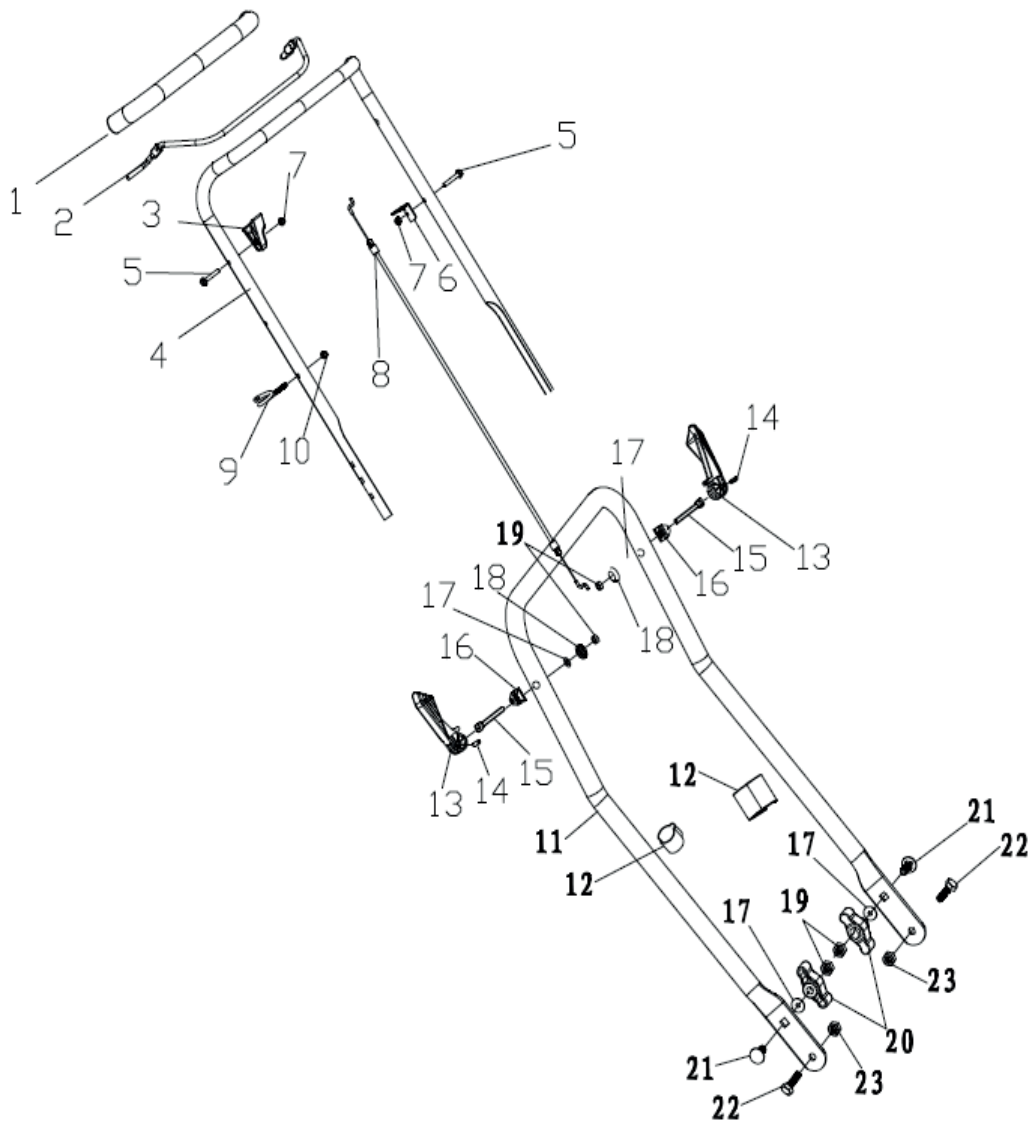



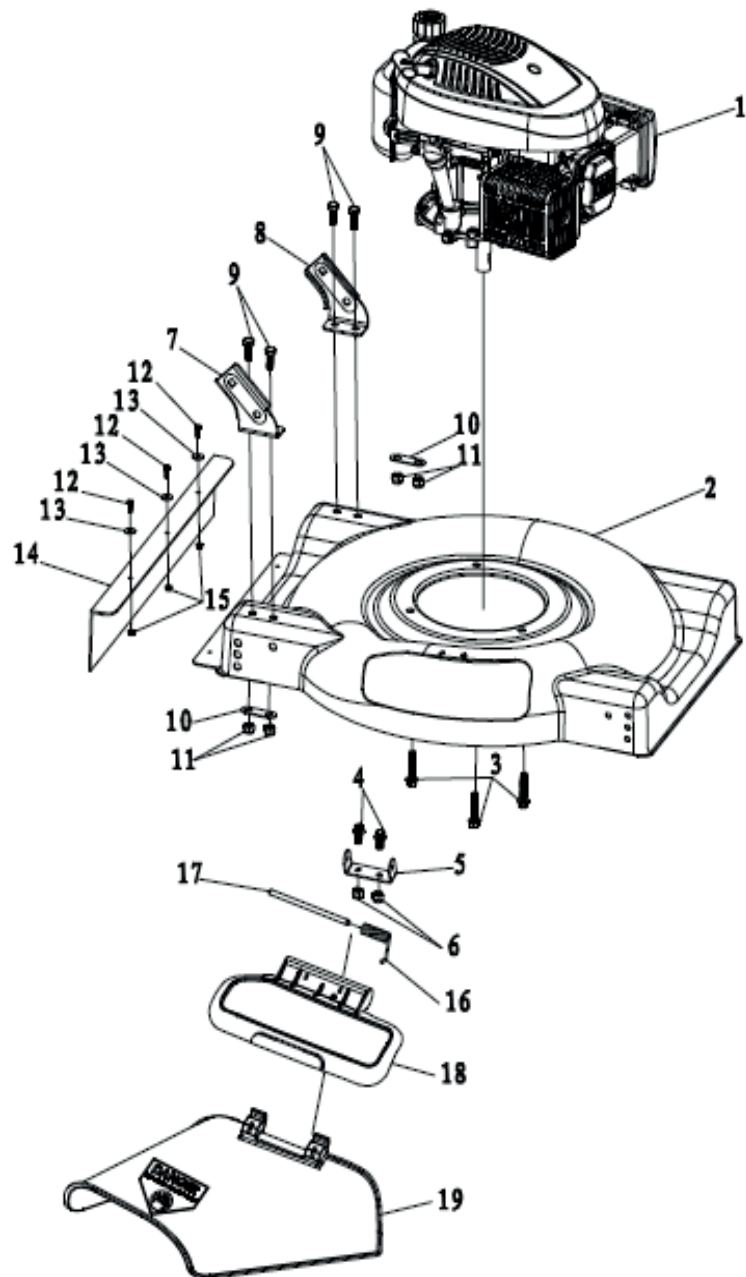
# DDE WYS21-WD65 (арт. 241-987)




№	PART No.	Наименование	Кол-во
1	20340060130	foam pipe	1
2	70540083130	brake lever	1
3	20030030000	lever guard	1
4	70500550130	upper handrail	1
5	60060590000	Bolt	1
6	70050120000	Brake Cable Assy plate	1
7	60150080000	Self-locking nut	1
8	70810040000	brake cable	1
9	70230090000	Rope Guide	1
10	60130020000	Cap nut	1
11	70520090130	lower handrail	1
12	20240020000	fastener	1
13	20580020050	quick fix knob	2
14	60250080000	Pin	2
15	70220020000	Quick Fix Handle	2
16	70050180000	plane	2
17	60190140000	flat washer	4
18	20720010050	lock nut	2
19	60140080000	Hexagon nut	6
20	20040030050	thick knob	4
21	60040090000	Half round head square neck bolts	2
22	60060420000	Hexagon head bolts	2
23	60150020000	Hex lock nut	2

 <b>DYNAMIC DRIVE EQUIPMENT</b>		DDE WYS21-WD65 (арт. 241-987)	
Technical department		Assembly drawing	
Engineer, chief designer		John Emerson Jr.	
DYNAMIC DRIVE EQUIPMENT, USA			Page 1

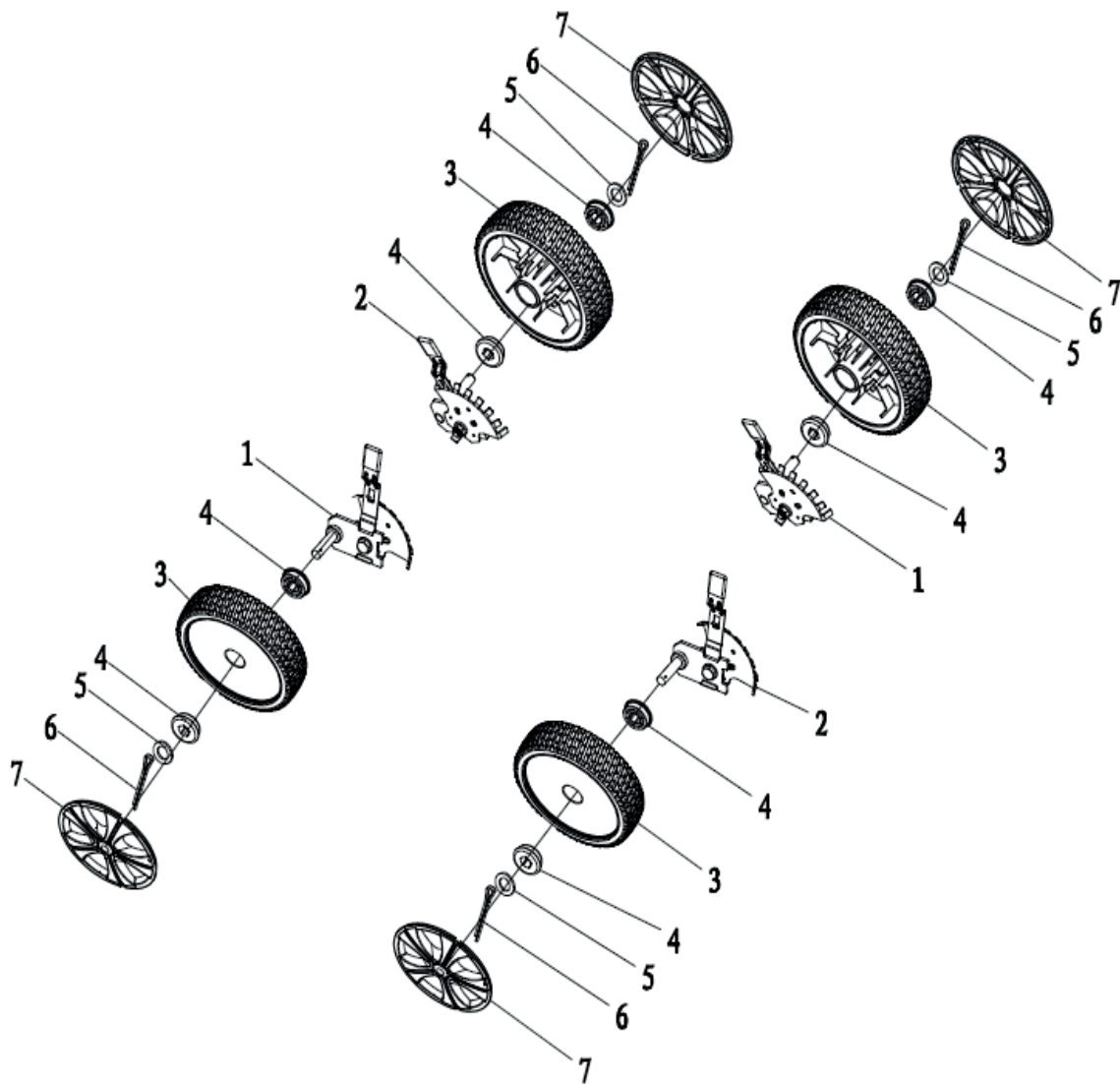
# DDE WYS21-WD65 (арт. 241-987)




№	PART No.	Наименование	Кол-во
1	19960060000	petrol engine	1
2	70740040280	deck	1
3	60060390000	Bolt	3
4	60060040000	Bolt	2
5	70060100280	Fixing Flat	1
6	60150060000	Self-locking nut	2
7	70070020000	right handle bracket	1
8	70070080000	left handle bracket	1
9	60060420000	Hexagon head bolts	4
10	70290010000	bracket plate	2
11	60150020000	Hex lock nut	4
12	60060460000	Hexagon head bolts	3
13	60190180000	flat washer	3
14	20750010000	rubber dust proof board	1
15	60150030000	Hex lock nut	3
16	60390010000	Mulch Spring	1
17	70030070000	Mulch Shaft	1
18	20120050000	IMulch Board	1
19	20110060000	Side Discharge Cover	1

		DDE WYS21-WD65 (арт. 241-987)	
Technical department		Assembly drawing	
Engineer, chief designer		John Emerson Jr.	
DYNAMIC DRIVE EQUIPMENT, USA			Page 2

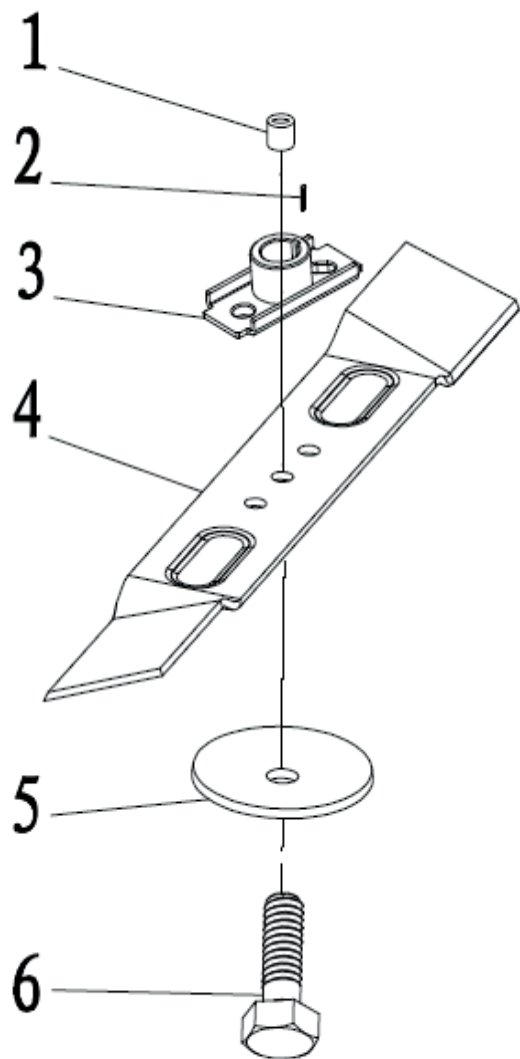
# DDE WYS21-WD65 (арт. 241-987)




№	PART No.	Наименование	Кол-во
1	70880030000	Right Height Adjustor Assy	2
2	70880060000	Left Height Adjustor Assy	2
3	20880103000	wheel assy	4
4	20430050000	Nylon Bush	8
5	60190080000	flat washer	4
6	60300060000	split pin	4
7	20620030290	outer cover of hub	4

		DDE WYS21-WD65 (арт. 241-987)	
Technical department		Assembly drawing	
Engineer, chief designer		John Emerson Jr.	
DYNAMIC DRIVE EQUIPMENT, USA			Page 3

# DDE WYS21-WD65 (арт. 241-987)




№	PART No.	Наименование	Кол-во
1	70150070000	Washer for Blade Adapte	1
2	70480020000	Long Key for Crankshaft	1
3	70140090000	Blade Adapter	1
4	70130030000	blade	1
5	70040070000	blade washer	1
6	60100020000	Inch hex flange bolts	1

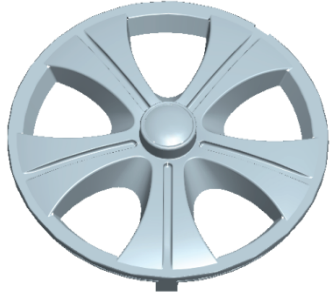


		DDE WYS21-WD65 (арт. 241-987)	
Technical department		Assembly drawing	
Engineer, chief designer		John Emerson Jr.	
DYNAMIC DRIVE EQUIPMENT, USA			Page 4


# DDE WYS21-WD65 (apт. 241-987)

1	70140090000	Blade Adapter Assy	
2	70130030000	Blade	
3	20880103000	Wheel assy	

 <b>DYNAMIC DRIVE EQUIPMENT</b>		DDE WYS21-WD65 (apт. 241-987)
Technical department	Assembly drawing	
Engineer, chief designer	John Emerson Jr.	
DYNAMIC DRIVE EQUIPMENT, USA		Page 5

# DDE WYS21-WD65 (apт. 241-987)

4	20620030290	outer cover of hub	
5	20110060000	side discharge cover	
6	20750010000	rubber dust proof board	

 <b>DYNAMIC DRIVE EQUIPMENT</b>		DDE WYS21-WD65 (apт. 241-987)
Technical department	Assembly drawing	
Engineer, chief designer	John Emerson Jr.	
DYNAMIC DRIVE EQUIPMENT, USA		Page 6