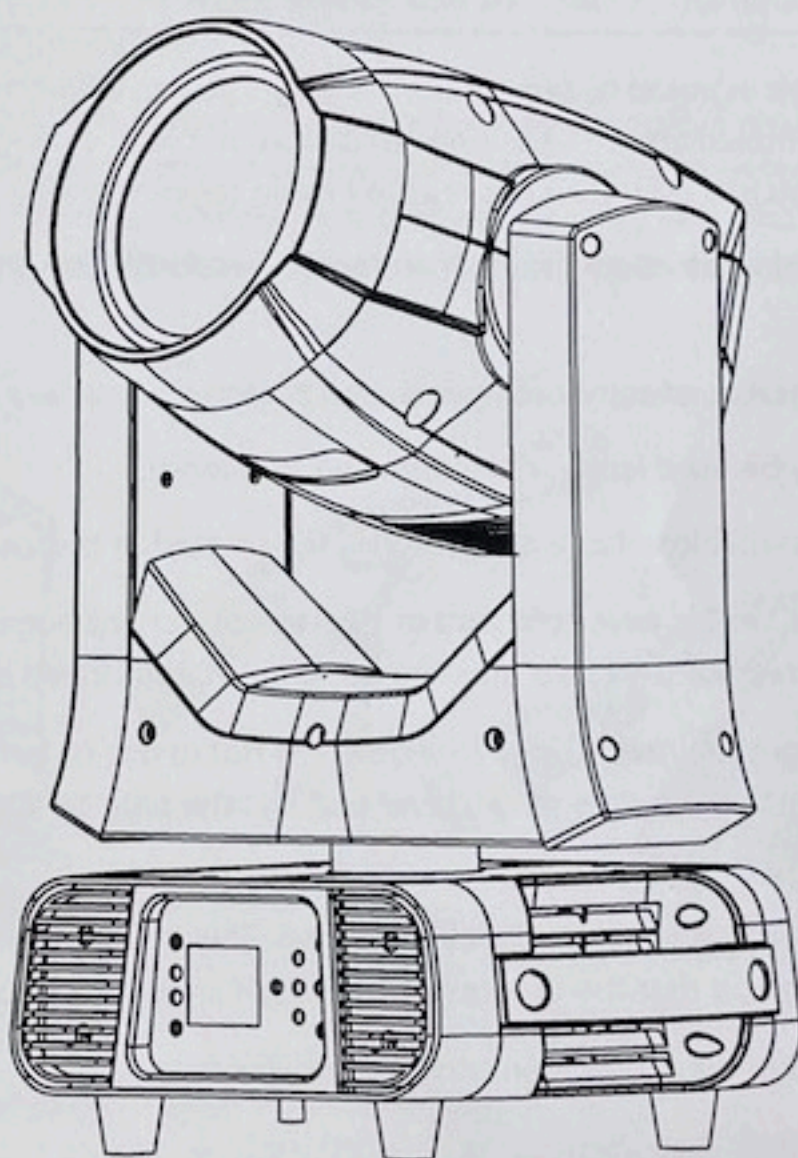


Color[®]
IMAGINATION
the POWER of DREAM

SI-220L BEAM 231L



CE ∇ \perp IP20 t_a 40°C t_c 150°C

User Manual

KEEP THIS MANUAL FOR FUTURE NEEDS

1 SAFETY INSTRUCTIONS



CAUTION

Becareful with your operations. With a dangerous voltage you cansuffer a dangerous electric shock when touching wires!

This device has left the factory in perfect condition. In order to maintain this condition and to ensure a safe operation, it is absolutely necessary for the user to follow the safety instructions and warning notes written in this user manual.



IMPORTANT

Damages caused by the disregard of this user manual are not subject to warranty. The dealer will not accept liability for any resulting defects or problems.

If the device has been exposed to temperature changes due to environmental changes, do not switch it on immediately. The arising condensation could damage the device. Leave the device switched off until it has reached room temperature.

This device falls under protection-class I. Therefore it is essential that the device be earthed.

The electric connection must carry out by qualified person.

The device shall only be used with rate voltage and frequency.

Make sure that the available voltage is not higher than stated at the end of this manual.

Make sure the power cord is never crimped or damaged by sharp edges. If this would be the case, replacement of the cable must be done by an authorized dealer.

Always disconnect from the mains, when the device is not in use or before cleaning it. Only handle the power cord by the plug. Never pull out the plug by tugging the power cord.

During initial start-up some smoke or smell may arise. This is a normal process and does not necessarily mean that the device is defective, it should decrease gradually.

Please don't project the beam onto combustible substances.

Fixtures cannot be installed on combustible substances, keep more than 50cm distance with wall for smooth air flow, so there should be no shelter for fans and ventilation for heat radiation.

If the external flexible cable or cord of this luminaire is damaged, it shall be exclusively replaced by the manufacturer or his service agent or a similar qualified person in order to avoid a hazard.

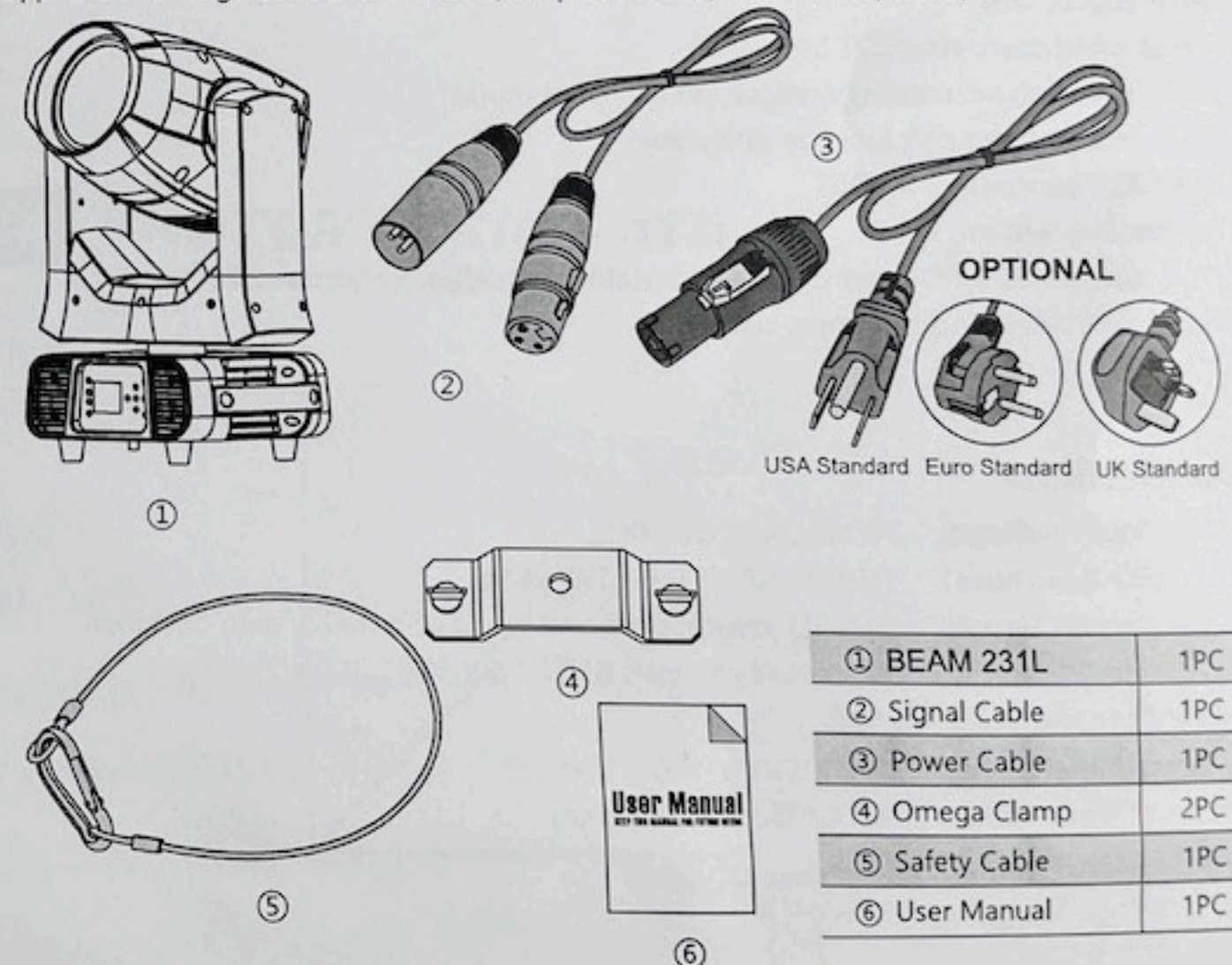
2 UNPACKING

Thank you for choosing our BEAM 231L. For your own safety, please read this manual before installing the device. This manual covers the important information on installation and applications. Please install and operate the fixture with following instructions. Meanwhile, please keep this manual well for future needs.

The BEAM 231L is a stylish moving head beam in a very compact and lightweight housing. It delivers high light output and even coverage field. It features an OSRAM SIRIUS HRI 231W Lamp The lamp equips with the reflector built-in, providing perfect lamp alignment. The moving head features ultra sharp beam effect with low consumption. The fixture is integrated with a full complement of professional characteristics including a static gobo wheel, color wheel, 8+16-Facet prism, frost filter, motorized linear focus, variable speed shutter/strobe, linear dimmer, color time and gobo time controllable. The fixture supports DMX, RDM (Remote Device Management).

The fixture's exterior housing is beautifully balanced basing on a modern design philosophy with supremely harmonious interior structure for remarkable control. The sculpted body of the BEAM 231L achieves more than just a striking look. The 2*1/4 turn fastening omega clamps, available for vertical and horizontal plug-in, make installations fast and easy.

It's applicable for large scale live concerts, TV productions, road shows, clubs, etc.



| | | |
|---|--------------|-----|
| ① | BEAM 231L | 1PC |
| ② | Signal Cable | 1PC |
| ③ | Power Cable | 1PC |
| ④ | Omega Clamp | 2PC |
| ⑤ | Safety Cable | 1PC |
| ⑥ | User Manual | 1PC |

3 FEATURES & SPECIFICATIONS

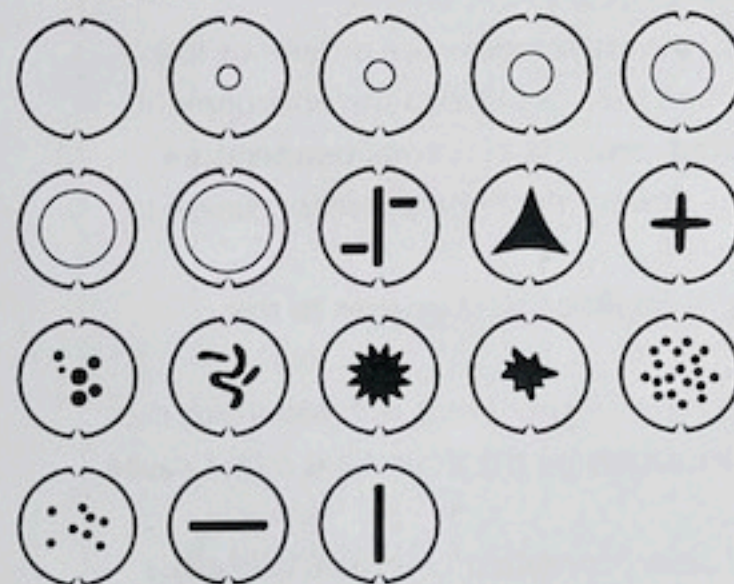
Features

- OSRAM SIRIUS HRI 231W Lamp
- 2000 hours lifespan and low power consumption
- 2.5 Beam angle
- No need for adjustment of reflector or lamp
- Anti-reflection 116mm front lens
- 1 Color wheel with 14 dichroic colors plus open (half-way color mode available)
- Variable direction rainbow effect with speed adjustable
- 1 static gobo wheel with 17 gobos plus open
- (8+16)-Facet prism with variable speed and direction
- Variable Frost Filter (Hybrid effect for Wash)
- Dual flag mechanical dimming system
- Variable direction rainbow effect with speed adjustable
- Preset variable/random strobe and dimming pulse effects
- Motor driven focus from near to far
- 540° PAN and 270° TILT movement
- Automatic Pan / Tilt position correction
- Smooth, fast and precise resolution for PAN/TILT movement with low noise operation
- Blue LCD Display
- 16/20 DMX channels USITT DMX-512
- DMX, stand-alone, master/slave, sound activated mode
- DMX recorder and edit function integrated
- 3-Pin XLR connectors IN/OUT
- Fan cooling system
- 2*1/4 turn fastening Omega Clamps (Adaptable vertically and horizontally)
- Electronic ballast and Electronic supply

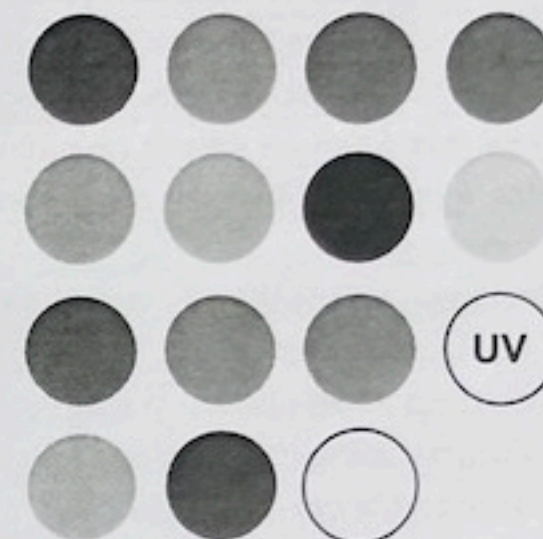
Specifications

| | |
|----------------------------|--|
| Input Voltage: | AC100-240V 50/60Hz |
| LED Quantities: | OSRAM SIRIUS HRI 231W Lamp |
| Control Signal: | DMX512, master-slave and sound activated or auto operation |
| Control Channel: | 16/20 DMX channels USITT DMX-512 |
| Power Consumption: | 350W |
| Dimensions: | 270(D)*310(W)*495(H)mm |
| Packing Dimensions: | 365(D)*360(W)*520(H)mm |
| Net Weight: | 11.92kg |
| Gross Weight: | 14.26kg |

Static gobos

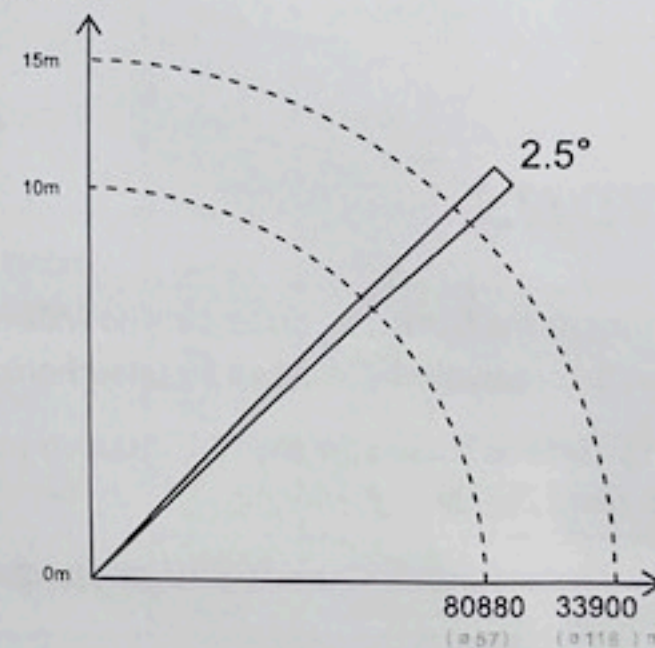


Colors



4 PHOTOMETRIC DATA

PHOTOMETRIC BEAM ANGLE DATA
(FC=LUX × 0.0929)



5 OPERATION INSTRUCTIONS

- The BEAM 231L is for beam effect for on-site decoration purpose.
- Don't turn on the fixture if it's been through severe temperature difference like after transportation because it might damage the light due to the environment changes. So make sure to operate the fixture until it is in normal temperature.
- This light should be keep away from strong shaking during any transportation or movement.
- Don't pull up the light by only the head, or it might cause damages to the mechanical parts.
- Don't expose the fixture in overheat, moisture or environment with too much dust when installing it. And don't lay any power cables on the floor. Or it might cause electronic shock to the people.
- Make sure the installation place is in good safety condition before installing the fixture.
- Make sure to put the safety chain and check whether the screws are screwed properly when installing the fixture.
- Make sure the lens are in good condition. It's recommended to replace the units if there are any damages or severe scratch.
- Make sure the fixture is operated by qualified personnel who knows the fixture before using.
- Keep the original packages if any second shipment is needed.
- Don't try to change the fixtures without any instruction by the manufacturer or the appointed repairing agencies.
- It is not in warranty range if there are any malfunctions from not following the user manual to operate or any illegal operation, like shock short circuit, electronic shock, lamp broke, etc.

6 INSTALLATIONS

Cautions: For added protection mount the fixtures in areas outside walking paths, seating areas, or in areas were the fixture might be reached by unauthorized personnel.

Before mounting the fixture to any surface, make sure that the installation area can hold a minimum point load of 10 times the device's weight.

Fixture installation must always be secured with a secondary safety attachment, such as an appropriate safety cable.

| | | | | |
|---------|--|-------------|---------|--------------------------------|
| 1 | 1 | Color wheel | 44-47 | Color 5+Color 6 |
| | | | 48-52 | Color 6 |
| | | | 53-56 | Color 6+Color 7 |
| | | | 57-60 | Color 7 |
| | | | 61-64 | Color 7+Color 8 |
| | | | 65-69 | Color 8 |
| | | | 70-73 | Color 8+Color 9 |
| | | | 74-77 | Color 9 |
| | | | 78-82 | Color 9+Color 10 |
| | | | 83-86 | Color 10 |
| | | | 87-90 | Color 10+Color 11 |
| | | | 91-94 | Color 11 |
| | | | 95-99 | Color 11+Color 12 |
| | | | 100-103 | Color 12 |
| | | | 104-107 | Color 12+Color 13 |
| 108-111 | Color 13 | | | |
| 112-116 | Color 13+Color 14 | | | |
| 117-120 | Color 14 | | | |
| 121-124 | Color 14+Color 15 | | | |
| 125-255 | Color wheel rotation speed from slow to fast | | | |
| 2 | 2 | Strobe | 0-3 | Closed |
| | | | 4-103 | Strobe speed from slow to fast |
| | | | 104-107 | Open |
| | | | 108-207 | Pulse strobe from slow to fast |
| | | | 208-212 | Open |
| | | | 213-225 | Random strobe (slow) |
| | | | 226-238 | Random strobe (medium) |
| | | | 239-251 | Random strobe (fast) |
| | | | 252-255 | Open |
| 3 | 3 | Dimmer | 0-255 | 0-100%dimmer |
| 4 | 4 | Gobo wheel | 0-3 | White/Open |
| | | | 4-7 | Gobo 1 |
| | | | 8-11 | Gobo 2 |
| | | | 12-15 | Gobo 3 |
| | | | 16-19 | Gobo 4 |
| | | | 20-23 | Gobo 5 |
| | | | 24-27 | Gobo 6 |
| | | | 28-31 | Gobo 7 |
| | | | 32-35 | Gobo 8 |
| | | | 36-39 | Gobo 9 |
| | | | 40-43 | Gobo 10 |
| | | | 44-47 | Gobo 11 |
| 48-51 | Gobo 12 | | | |

| | | | | |
|---------|---------------------------------|----------------|---------|-------------------------------------|
| 4 | 4 | Gobo wheel | 52-55 | Gobo 13 |
| | | | 56-59 | Gobo 14 |
| | | | 60-63 | Gobo 15 |
| | | | 64-67 | Gobo 16 |
| | | | 68-71 | Gobo 17 |
| | | | 72-113 | Forward rotation from fast to slow |
| | | | 114-117 | Stop |
| | | | 118-159 | Backward rotation from slow to fast |
| | | | 160-166 | Gobo 1 shake from slow to fast |
| | | | 167-172 | Gobo 2 shake from slow to fast |
| | | | 173-179 | Gobo 3 shake from slow to fast |
| | | | 180-185 | Gobo 4 shake from slow to fast |
| | | | 186-191 | Gobo 5 shake from slow to fast |
| | | | 192-198 | Gobo 6 shake from slow to fast |
| | | | 199-204 | Gobo 7 shake from slow to fast |
| | | | 205-211 | Gobo 8 shake from slow to fast |
| | | | 212-217 | Gobo 9 shake from slow to fast |
| | | | 218-223 | Gobo 10 shake from slow to fast |
| | | | 224-230 | Gobo 11 shake from slow to fast |
| | | | 231-236 | Gobo 12 shake from slow to fast |
| 237-244 | Gobo 13 shake from slow to fast | | | |
| 245-249 | Gobo 14 shake from slow to fast | | | |
| 250-255 | Gobo 15 shake from slow to fast | | | |
| 5 | 5 | Prism | 0-127 | Prism excluded |
| | | | 128-255 | Prism inserted |
| 6 | 6 | Prism rotation | 0-127 | Adjustment angle |
| | | | 128-190 | Forward rotation from fast to slow |
| | | | 191-192 | Stop |
| | | | 193-255 | Backward rotation from slow to fast |
| 7 | 7 | Blank | 0-255 | Reserve |
| 8 | 8 | Frost | 0-127 | Frost excluded |
| | | | 128-255 | Frost inserted |
| 9 | 9 | Focus | 0-255 | In(near)to out(far) |
| 10 | 10 | Pan | 0-255 | Pan movement |
| 11 | 11 | Pan fine | 0-255 | Fine control of Pan movement |
| 12 | 12 | Tilt | 0-255 | Tilt movement |
| 13 | 13 | Tilt fine | 0-255 | Fine control of Tilt movement |
| 14 | 14 | Macro | 0-255 | Macro |
| 15 | 15 | Reset | 0-25 | Null |
| | | | 26-76 | Motor reset |
| | | | 77-127 | XY motor reset |
| | | | 128-255 | All motor reset |
| 16 | 16 | Lamp | 0-25 | Null |

| | | | | |
|----|----|------------|---------|--|
| 16 | 16 | Lamp | 26-100 | Lamp off |
| | | | 101-255 | Lamp on |
| | 17 | X/Y Time | 0-255 | Pan/Tilt speed from fast to slow |
| | 18 | Color Time | 0-255 | Color wheel speed from fast to slow |
| | 19 | Speed 1 | 0-255 | Prism/Frost/Strobe speed from slow to fast |
| | 20 | Speed 2 | 0-255 | Gobo speed from slow to fast |

10 MAINTENANCE AND CLEANING

The following points have to be considered during the inspection:

- 1) All screws for installing the devices or parts of the device have to be tightly connected and must not be corroded.
- 2) There must not be any deformations on the housing, color lenses, fixations and installation spots (ceiling, suspension, trussing).
- 3) Mechanically moved parts must not show any traces of wearing and must not rotate with unbalances.
- 4) The electric power supply cables must not show any damage, material fatigue or sediments.

Further instructions depending on the installation spot and usage have to be adhered by a skilled installer and any safety problems have to be removed.



CAUTION

Disconnect from mains before starting maintenance operation.



In order to make the lights in good condition and extend the life time, we suggest a regular cleaning to the lights.

- 1) Clean the inside and outside lens each week to avoid the weakness of the lights due to accumulation of dust.
- 2) Clean the fan each week.
- 3) A detailed electric check by approved electrical engineer each three month, make sure that the circuit contacts are in good condition, prevent the poor contact of circuit from overheating.

We recommend a frequent cleaning of the device. Please use a moist, lint- free cloth. Never use alcohol or solvents.

There are no serviceable parts inside the device. Please refer to the instructions under "Installation instructions".

Should you need any spare parts, please order genuine parts from your local dealer.