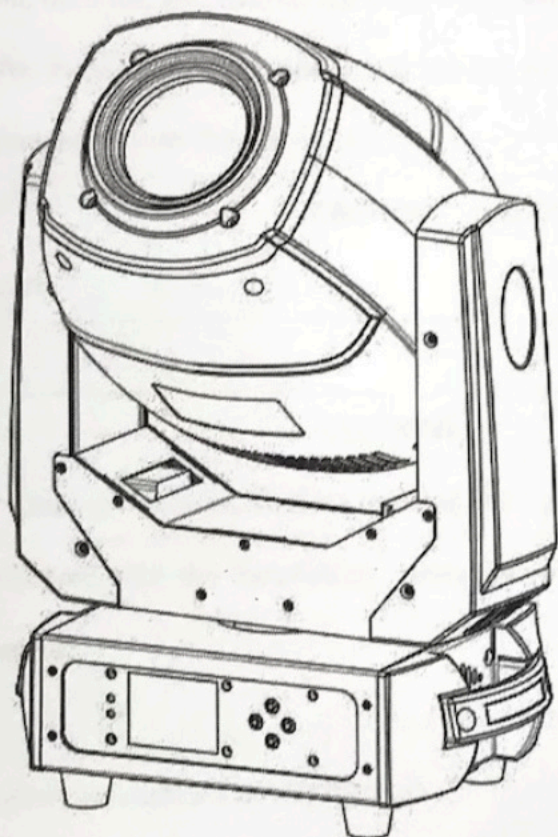


230W SPOT LED Moving Head



USER MANUAL



KEEP THIS MANUAL FOR FUTURE NEEDS

Thank you for your patronage. We are confident that our excellent products and service can satisfy you. For your own safety, please read this user manual carefully before installing the device.

In order to install, operate, and maintain the lighting safety correctly. We suggest that the installation and operation should be done by the verified technician and follow the instruction strictly.



rain and moisture!

CAUTION! Keep this device away from



CAUTION!

Unplug mains lead before opening the housing.

Every person involved with the installation, operation and maintenance of this device has to:

- be qualified
- follow carefully the instructions of this manual

1. INTRODUCTION

Thank you for having chosen this professional moving head.

You will see you have acquired a powerful and versatile device.

Unpack the device. Inside the carton box you should find:

1. One XLR power cable
2. One user manual
3. Two pcs omega

Please check carefully that there is no damage caused by transportation. Should there be any, please consult your dealer and don't install this device.

2 Mounting and installation

2.1 Cautions: for added protection mount the fixtures in areas outside walking paths ,seating areas,or in areas were the fixture might be reached by unauthorized personnel.

Before mounting the fixture to any surface ,make sure that the installation area can hold a minimum point load of 10 times the device's weight.

Fixture installation must always be secured with a secondary safety attachment ,such as an appropriate safety cable.

Never stand directly below the device when mounting ,removing ,or servicing the fixture, from a ceiling,or set on a flat level surface (see illustration below).Be sure this fixture is kept at least 0.5m (1.5ft) away from any flammable (decoration etc.)

Always use and install the supplied safety cable as a safe cable as safety measure to prevent accidental damage and /or injury in the event the clamp fails.

2.2 Mounting points:

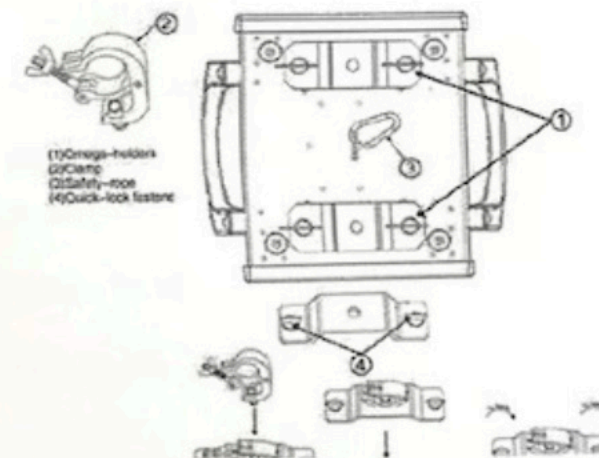
Overhead mounting requires extensive experience , including others calculating working load limits, a fine knowledge of the installation

material being used ,and periodic safety inspection of all installation material and the fixture. If you lack these qualifications , Do not attempt the installation yourself ,improper installation can result in bodily injury.

Be sure to complete all rigging and installation procedures before connecting the main power cord to the appropriate wall outlet.

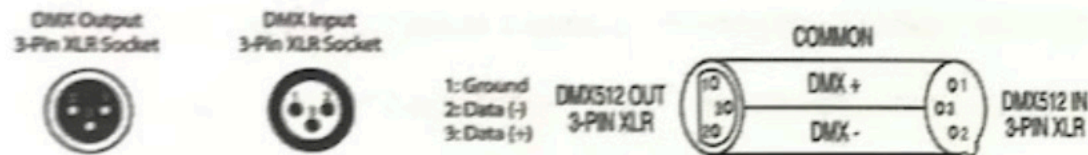
2.3 Clamp mounting :

The LED moving head provides a unique mounting bracket assembly that integrates the bottom of the base, the included 'omega bracket' and the safety cable rigging point in one unit (see the illustration below).When mounting this fixture to truss be sure to sere to secure an rated clamp to the included omega bracket using a M10 screw fitted through the center hole of the 'omega bracket'.As an added safety measure be sure to attached at least one properly rated safety cable to the fixture using on of the safety cable rigging point integrated in the base assembly.



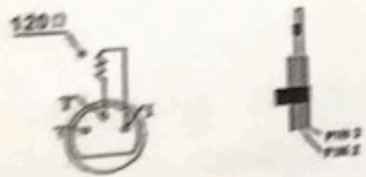
2.4 DMX-512 control connection

Connect the provided XLR cable to the female 3-pin XLR output of your controller and the other side to the male 3-pin XLR input of the moving head. You can chain multiple Moving head together through serial linking. The cable needed should be two core, screened cable with XLR input and output connectors. Please refer to the diagram below.



2.4 DMX-512 connection with DMX terminator

For installations where the DMX cable has to run a long distance or is in an electrically noisy environment, such as in a discotheque, it is recommended to use a DMX terminator. This helps in preventing corruption of the digital control signal by electrical noise. The DMX terminator is simply an XLR plug with a 120 resistor connected between pins 2 and 3, which is then plugged into the output XLR socket of the last fixture in the chain. Please see illustrations below.



3 TECHNICAL PARAMETERS

POWER SUPPLIE

Input power: AC100-240V 50/60 Hz

Power consumption :260W

DMX channel:6/18 channels

Pan scan: 540° (16bit) Electric correction

Tilt scan: 270° (16bit) Electric correction

Color wheel: one color wheel, 7 kinds of color chips in one color wheel

Static Gobo: 7gobos+open

Rotation Gobo:7 gobos+open

Effect Wheel: two Effect prism, one Rotation six prism, one Rotation five prism effect move , Bi-directional rotation

Lens optical system mechanical focus .beam Zoom angle 11° -25°

Control mode:DMX512/Master-Slave/Auto run

Dimmer : 0- 100 %

Strobe:0-20 HZ

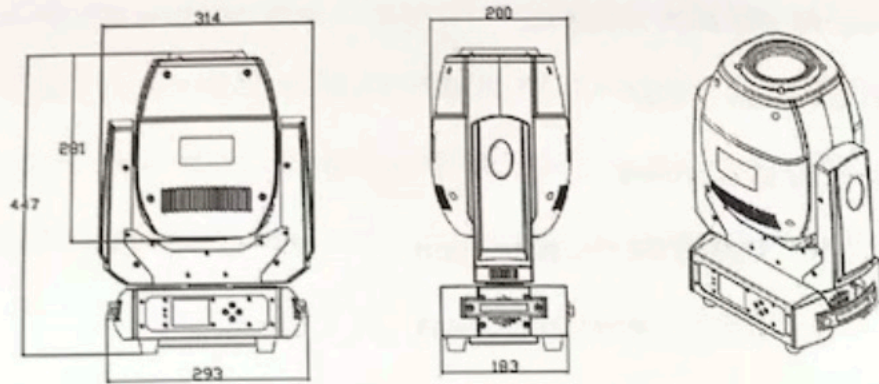
Display:LCD display

WEIGHT&SIZE

N.W: 12.5 KG

G.W: 14 KG

Packing size: 48.5*35*5*39cm



4 :MENU FUNCTION

menu (Color Display 2.4'TFT--C4)				
DMX Address	001~512			
Operating Mode	DMX 6 Ch			
	DMX 18 Ch			
	Auto	Perform Mode 1		
		Perform Mode 2		
		Perform Mode 3		
		Perform Mode 4		
		Perform Mode 5		
		Perform Mode 6		
		Perform Mode 7		
		Perform Mode 8		
	Sound			
	Master Auto	Perform Mode 1		
		Perform Mode 2		
		Perform Mode 3		
		Perform Mode 4		
Perform Mode 5				
Perform Mode 6				
Perform Mode 7				
Perform Mode 8				
Master Sound				
Slave				
Language Setting	简体中文			

Advanced Setting	English			
	Pan Reverse			
	Tilt Reverse			
	Display Reverse			
	Reset Motor			
	Factory Reset			
	Home Position	Password		
		PAN	Code =018	
		TILT	. =000	
		Dimmer	. =000	
		Color	. =000	
		fixed Gobo	. =000	
		Rotation Gobo	. =000	
		Focus	. =000	
		Zoom	. =000	
System Info	Prism	. =000		
	Rotation Gobo Wheel	. =000		
	Mic Sensitive	= 000		
	Current Time			
	Total Time			
	Current Mode			
	Temperature			
	Software Version			
	Manual Control	PAN	. =000	
		TILT	. =000	
		Pan/Tilt Speed	. =000	
		Dimmer	. =000	
		Strobe	. =000	
		Color	. =000	
		fixed Gobo	. =000	
Rotation Gobo		. =000		
Rotation Gobo Wheel		. =000		
Focus		. =000		
Prism		. =000		
Prism Wheel		. =000		
Zoom		. =000		

5:Function Mode

5.1 DMX address setting

With this function, you can adjust the desired DMX-address via the Control Board.

Select via the encoder.

Press the encoder, adjust the DMX address by turning the encoder.

Press the encoder to confirm.

Press the Mode/Esc-button in order return to the main menu.

Set DMX address

Display the DMX 512 value of each channel

With this function you can display the DMX 512 value of each channel.

The display automatically

shows the channel with a value changing.

5.2 Run Mode

The LED moving head have 6CH and 18CH, can receive the International DMX signal.

In the **【Run】** mode, you can chose **【Master】** mode [Sound Control] [Master Auto Run] [Master Sound Control] and **【Slave】** mode.

5.3 Language Setting

With this function, you can choose the Language between English and Chinese.

5.4 Advanced Set up

Pan Reverse

With this function you can reverse the Pan-movement.

Tilt Reverse

With this function you can reverse the Tilt 1-movement.

Display Reverse

With this function you can reverse the Tilt 2-movement.

Reset

With this function, you can reset the device via the Control Board.You can select the different reset function by turning the encoder.

Factory Reset

With this function, you can select restore factory set for ON or OFF, the default is OFF.

5.5System State

With this function, you can know the On Time ,Accumulative Time, Current Run Mode ,Temperature and Software Version.

5.6 Manual Control

With this function ,you can adjust the pan and tilt and the move speed, also adjust the dimmer ,strobe and color.

6: DMX CHANNELS

6 /18channel definition table

6CH	18 CH	DMX Value	Function
1	1	000 - 255	X
	2	000-255	X-Fine
2	3	000 - 255	Y
	4	000-255	Y-Fine
	5	000 - 255	XY SPEED
3	6	000-255	Dimmer(0-100%)
4	7	000-004	Shutter closed
		005-250	Strobe effect slow to fast
		251-255	Shutter open
8		000-004	Open(White)
		005-013	White/Color1
		014-022	Color1
		023-031	Color1/Color2
		032-040	Color2
		041-049	Color2/Color3
		050-058	Color3
		059-067	Color3/Color4
		068-076	Color4
		077-085	Color4/Color5
		086-094	Color5
		095-103	Color5/Color6
		104-112	Color6
		113-121	Color6/Color7
		122-130	Color7
		131-139	Open(White)
		140-195	Forward rainbow effect from fast to slow
		196-199	Rotation stop
		200-255	Backward rainbow effect from slow to fast
		9	
008-017	Gobo1		
018-027	Gobo2		
028-037	Gobo3		
038-047	Gobo4		

		048-057	Gobo5		
		058-067	Gobo6		
		068-077	Gobo7		
		078-087	Gobo1 Shake		
		088-097	Gobo2 Shake		
		098-107	Gobo3 Shake		
		108-117	Gobo4 Shake		
		118-127	Gobo5 Shake		
		128-137	Gobo6 Shake		
		138-147	Gobo7 Shake		
		148-199	Forward rainbow effect from fast to slow		
		200-203	Rotation stop		
		204-255	Backward rainbow effect from slow to fast		
		10		000-007	Open(White)
008-017	Gobo1				
018-027	Gobo2				
028-037	Gobo3				
038-047	Gobo4				
048-057	Gobo5				
058-067	Gobo6				
068-077	Gobo7				
078-087	Gobo1 Shake				
088-097	Gobo2 Shake				
098-107	Gobo3 Shake				
108-117	Gobo4 Shake				
118-127	Gobo5 Shake				
128-137	Gobo6 Shake				
138-147	Gobo7 Shake				
148-199	Forward rainbow effect from fast to slow				
200-203	Rotation stop				
204-255	Backward rainbow effect from slow to fast				
11				000-007	Stop
				008-129	Forward Gobo2 Rotation from fast to slow
		130-133	Stop		
		134-255	Backward Gobo2 Rotation from slow to fast		
12		000-255	Focus		
13		000-255	Zoom		
14		000-007	Open(White)		
		008-099	Prism1		

		100-130	Open(White)
		131-255	Prism2
	15	000-007	Stop
		008-129	Forward Prism Rotation from fast to slow
		130-133	Stop
		134-255	Backward Prism Rotation from slow to fast
5	16	000-007	Empty
		008-047	Auto Play 1
		048-087	Auto Play 2
		088-127	Auto Play 3
		128-167	Auto Play 4
		168-207	Auto Play 5
		208-247	Auto Play 6
		248-255	Color Gobo Sound Control
6	17	000-007	Empty
		008-032	X/Y auto run 1
		033-058	X/Y auto run 2
		059-084	X/Y auto run 3
		085-110	X/Y auto run 4
		111-136	X/Y auto run 5
		137-162	X/Y auto run 6
		163-188	X/Y auto run 7
		189-214	X/Y auto run 8
		215-240	X/Y auto run 9
		241-255	X/Y Sound Control
	18	250-255	RESET(10S)