

AN5560

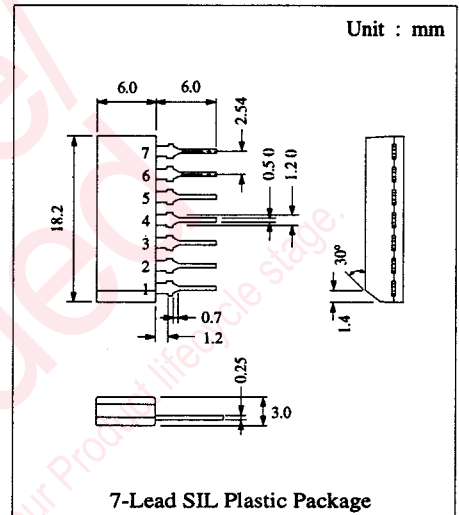
TV 50Hz and 60Hz Detection Circuit

■ Description

The AN5560 is an integrated circuit designed for vertical synchronizing signals 50Hz/60Hz detection of TV Signal.

■ Features

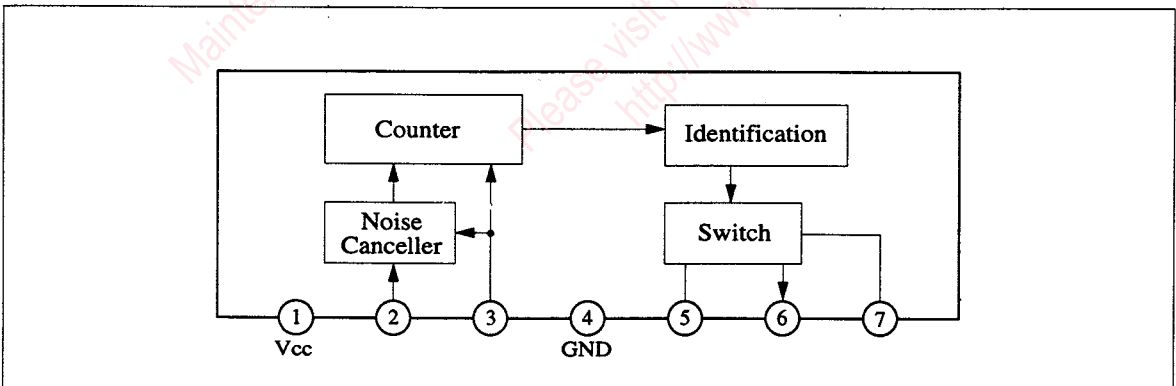
- AN5560 detects whether Vertical Synchronous signal's frequency is 50Hz or 60Hz by taking in Horizontal and Vertical Synchronous signals
- Detected frequency is indicated High and Low DC Voltage
- Manual switch is included to change detected output DC levels



■ Pin Descriptions

Pin No.	Pin Name
1	Vcc
2	Vertical Pulse Input
3	Horizontal Pulse Input
4	GND
5	Manual Switch
6	50/60Hz Detected Output
7	Output Hold


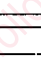
■ Block Diagram



■ Absolute Maximum Ratings (Ta=25°C)

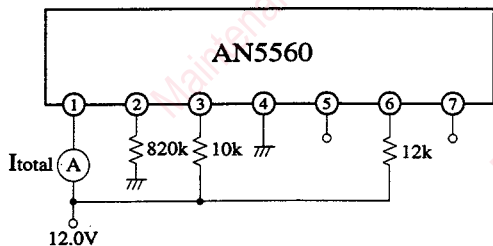
Item		Symbol	Rating		Unit
Supply Voltage		V _{CC}	14.4		V
Voltage		V ₂₋₄	V ₁₋₄ + 0.4	0	V
		V _{3, 5-4}	V ₁₋₄	0	V
		V ₆₋₄	24	0	V
Current		I ₂	5	-0.8	mA
		I ₆	20		mA
Power Dissipation (Ta = 70 °C)		P _D	340		mW
Temperature	Operating Ambient Temperature	Topr	-20 ~ +70		°C
	Storage Temperature	Tstg	-55 ~ +150		°C

■ Electrical Characteristics (V_{CC}=12V, Ta=25°C)

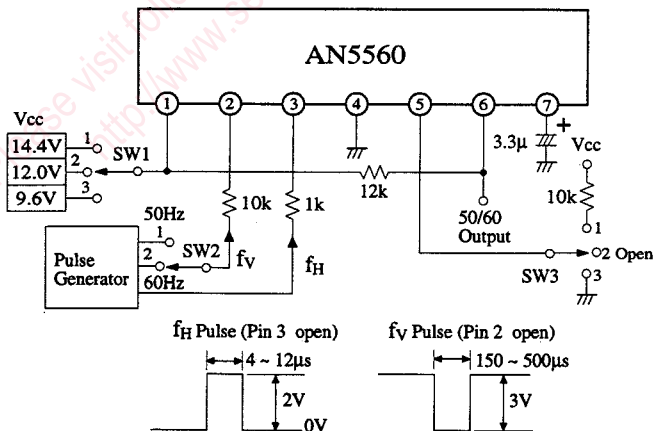
Item	Symbol	Test Cct.	Condition	min.	typ.	max.	Unit
Total Current	I _{total}	1		7.5	10.0	12.5	mA
50/60 Detection Output Auto 50	V _{Auto 50}	2	SW1=2, SW2=1, SW3=2	11.9		12.0	V
50/60 Detection Output Auto 60	V _{Auto 60}	2	SW1=2, SW2=2, SW3=2			0.3	V
50/60 Detection Output Manual 50	V _{manual 50}	2	SW1=2, SW3=3	11.9		12.0	V
50/60 Detection Output Manual 60	V _{manual 60}	2	SW1=2, SW3=1			0.3	V
Horizontal Frequency Input Range	f _H	2		15.6		16.0	kHz
Vert. Freq. Input Range 50Hz	f _{V 50}	2		f _H /346	f _H /312	f _H /284	Hz
Vert. Freq. Input Range 60Hz	f _{V 60}	2		f _H /282	f _H /260	f _H /243	Hz
Horizontal Pulse Input Level	U _{fH}	2	 U _{fH} Pin 3 open	2		5	V
Vertical Pulse Input Level	U _{fV}	2	 U _{fV}	0		V _{CC} -3.0	V
Horizontal Pulse Width	t _{w(fH)}	2		4		12	μs
Vertical Pulse Width	t _{w(fV)}	2		150		500	μs

Note: Operating supply voltage range : V_{CC} (opr) = 9.6V ~ 14.4V

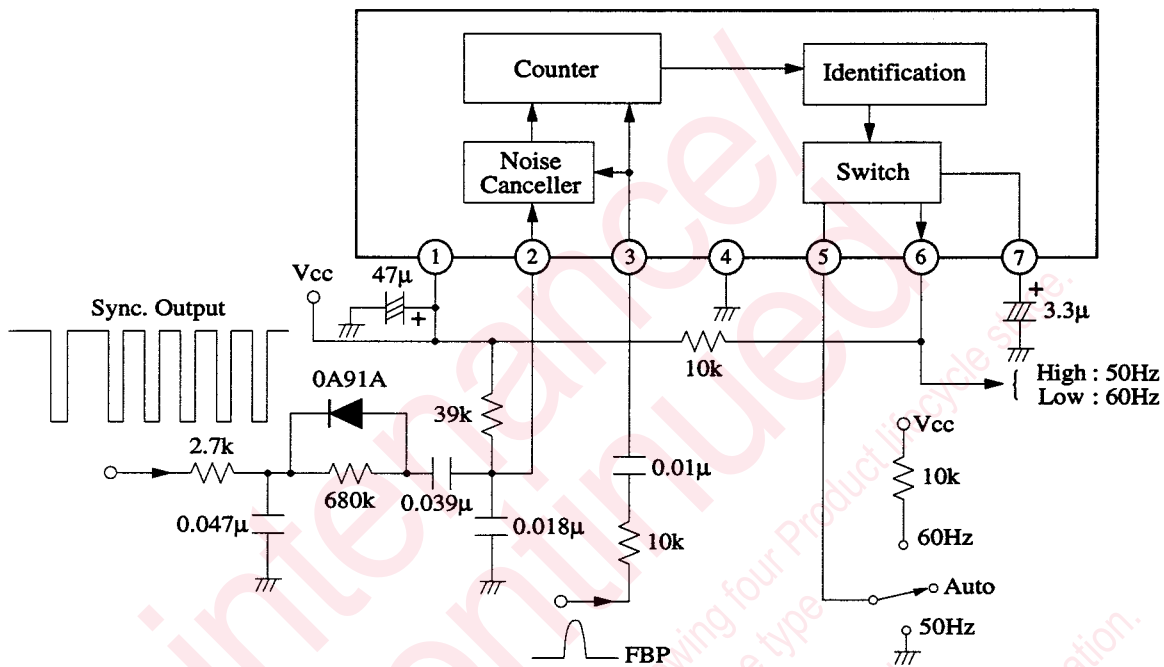
Test Circuit 1 (I_{CC})



Test Circuit 2 (V_{Auto}, V_{Manual}, f_H, f_V, U_{fH}, U_{fV}, t_{w(fH)})



■ Application Circuit



Request for your special attention and precautions in using the technical information and semiconductors described in this book

- (1) If any of the products or technical information described in this book is to be exported or provided to non-residents, the laws and regulations of the exporting country, especially, those with regard to security export control, must be observed.
- (2) The technical information described in this book is intended only to show the main characteristics and application circuit examples of the products. No license is granted in and to any intellectual property right or other right owned by Panasonic Corporation or any other company. Therefore, no responsibility is assumed by our company as to the infringement upon any such right owned by any other company which may arise as a result of the use of technical information described in this book.
- (3) The products described in this book are intended to be used for standard applications or general electronic equipment (such as office equipment, communications equipment, measuring instruments and household appliances).
Consult our sales staff in advance for information on the following applications:
 - Special applications (such as for airplanes, aerospace, automobiles, traffic control equipment, combustion equipment, life support systems and safety devices) in which exceptional quality and reliability are required, or if the failure or malfunction of the products may directly jeopardize life or harm the human body.
 - Any applications other than the standard applications intended.
- (4) The products and product specifications described in this book are subject to change without notice for modification and/or improvement. At the final stage of your design, purchasing, or use of the products, therefore, ask for the most up-to-date Product Standards in advance to make sure that the latest specifications satisfy your requirements.
- (5) When designing your equipment, comply with the range of absolute maximum rating and the guaranteed operating conditions (operating power supply voltage and operating environment etc.). Especially, please be careful not to exceed the range of absolute maximum rating on the transient state, such as power-on, power-off and mode-switching. Otherwise, we will not be liable for any defect which may arise later in your equipment.
 - Even when the products are used within the guaranteed values, take into the consideration of incidence of break down and failure mode, possible to occur to semiconductor products. Measures on the systems such as redundant design, arresting the spread of fire or preventing glitch are recommended in order to prevent physical injury, fire, social damages, for example, by using the products.
- (6) Comply with the instructions for use in order to prevent breakdown and characteristics change due to external factors (ESD, EOS, thermal stress and mechanical stress) at the time of handling, mounting or at customer's process. When using products for which damp-proof packing is required, satisfy the conditions, such as shelf life and the elapsed time since first opening the packages.
- (7) This book may be not reprinted or reproduced whether wholly or partially, without the prior written permission of our company.