



## SE...F24

Valve actuator, 24 V supply voltage and 3-point control

Valve actuator for control of Industrietechnik's range of valves. Available in models with actuator force of 500, 1000, 1800 or 2500 N. The actuators can be operated manually with the manual override mechanism on the lid. Using an adapter kit, the actuator can also be adapted for use with other valves on the market.

- Protection class IP54
- Stroke 10...30 mm (500 N, 1000 N), 10...52 mm (1800 N, 2500 N)
- Manual operation
- Position indication
- Force 500...2500 N

### Stroke and end position calibration

Stroke and end position calibration is not necessary due to a construction utilizing end position stops. When the valve reaches the end position, a force is generated. Once the force of the actuator reaches a predefined level, the limit switch automatically halts the drive motor.

### Position indications

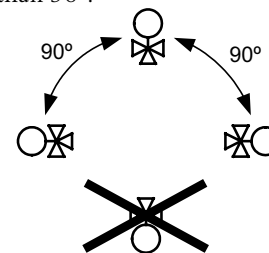
There are two position indications for the stem, one red and one blue. They can be used for end position indication, since they accompany the stem to its end position. They can also be switched to indicate whether the valve is opening or closing.

### Manual override

The valve position can be changed manually using the knob located in the actuator lid.

### Installation

The valve and actuator should never be mounted at an angle of more than 90°.



#### MAIN OFFICE BRESSANONE

I-39042 Bressanone (BZ)  
via Julius-Durst-Str. 70  
VAT No. IT02748450216

tel: +39 0472 830626  
fax: +39 0472 831840  
www.industrietechnik.it

SE...F24

## Technical data

<b>Supply voltage</b>	24 V AC
<b>Control signal</b>	3-point
<b>Stroke time</b>	3 s/mm
<b>Ambient temperature</b>	0...50 °C
<b>Storage temperature</b>	-40...80 °C
<b>Ambient humidity</b>	10...90 % RH
<b>Protection class</b>	IP54

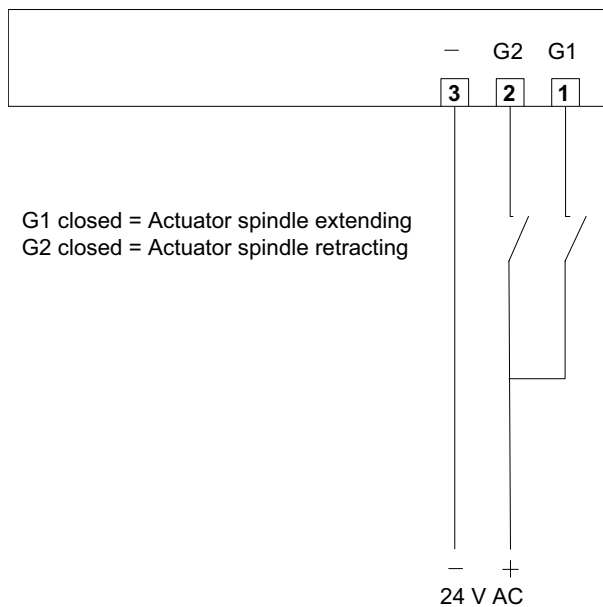
## Models

Article	Max. power consumption	Force	Stroke
SE5F24	7.8 W / 8.0 VA	500 N	10...30 mm
SE10F24	6.2 W / 6.7 VA	1000 N	10...30 mm
SE18F24	10.9 W / 11.7 VA	1800 N	10...52 mm
SE25F24	10.9 W / 11.7 VA	2500 N	10...52 mm

## CE

This product is CE-marked. More information is available at [www.industrietechnik.it](http://www.industrietechnik.it)

## Wiring



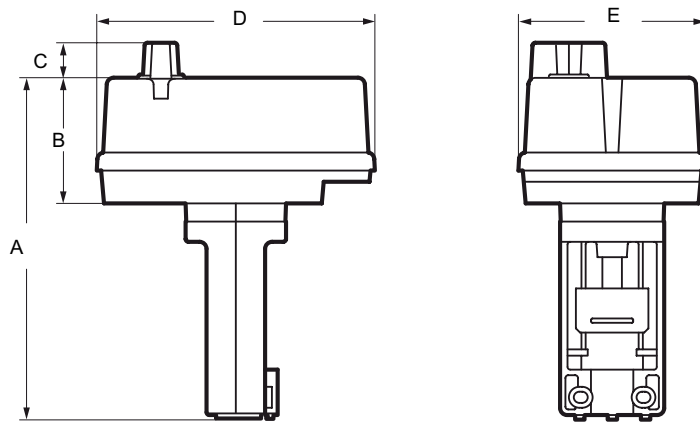
### MAIN OFFICE BRESSANONE

I-39042 Bressanone (BZ)  
 via Julius-Durst-Str. 70  
 VAT No. IT02748450216

tel: +39 0472 830626  
 fax: +39 0472 831840  
 www.industrietechnik.it

SE...F24

## Dimensions



## Models

Model	A	B	C	D	E
SE5F24	237	95	16	150	85
SE10F24	248	95	16	198	133
SE18F24	293	95	16	198	133
SE25F24	293	95	16	198	133

---

**MAIN OFFICE BRESSANONE**

I-39042 Bressanone (BZ)  
via Julius-Durst-Str. 70  
VAT No. IT02748450216

tel: +39 0472 830626  
fax: +39 0472 831840  
www.industrietechnik.it

SE...F24